

BALDOR® • ***RELIANCE***

Product Information Packet

CWDM3541

.75HP,3450RPM,3PH,60HZ,56C,3518M,TENV,F1

Part Detail							
Revision:	AE	Status:	PRD/A	Change #:		Proprietary:	No
Type:	AC	Prod. Type:	3518M	Elec. Spec:	35WGT097	CD Diagram:	CD0005
Enclosure:	TENV	Mfg Plant:		Mech. Spec:	35T964	Layout:	35LYT964
Frame:	56C	Mounting:	F1	Poles:	02	Created Date:	06-22-2007
Base:	RG	Rotation:	R	Insulation:	F	Eff. Date:	08-12-2016
Leads:	9#18					Replaced By:	
Literature:		Elec. Diagram:					

Nameplate NP1496L										
CAT.NO.	CWDM3541									
SPEC.	35T964T097									
HP	.75									
VOLTS	230/460									
AMP	2.2/1.1									
RPM	3450									
FRAME	56C				HZ	60			PH	3
SER.F.	1.25			CODE	N	DES	B		CLASS	F
NEMA-NOM-EFF	80			PF	80					
RATING	40C AMB-CONT									
CC								USABLE AT 208V	2.3	
DE	6205				ODE	6203				
ENCL	TENV			SN						
	SFA 2.6/1.3									

Parts List		
Part Number	Description	Quantity
SA111050	SA 35T964T097	1.000 EA
RA102429	RA 35T964T097	1.000 EA
NS2512A01	INSULATOR, CONDUIT BOX X	1.000 EA
35CB3008A01W	35 CB .50 NPT @ 6, MACH WHITE EPOXY	1.000 EA
35GS1040	35 MOLDED GASKET W/LIP, LEAD SEAL,	1.000 EA
51XB1016A07	10-16 X 7/16 HXWSSLD SERTYB	2.000 EA
11XW1032G06	10-32 X .38, TAPTITE II, HEX WSHR SLTD U	1.000 EA
35EP3100M71MW	SPL FR ENDPLATE -TENV- SP.#9 (WHITE EPOX	1.000 EA
HW4032A01	BLACK DRAIN PLUG FOR WASH DOWN MOTORS	3.000 EA
HW4600B49	SEAL 0.938 X 1.624 X 0.250 SINGLE LIP DB	1.000 EA
HW4600B46	V-RING SLINGER 0.875 X 1.420 X .24 VITON	1.000 EA
MJ5001A27	32220KN GRAY SEALER *MIN BUY 4 QTS=1GAL	0.001 QT
HW5100A03SP	WAVY WASHER (W1543-017)	1.000 EA
35EP3300A48MW	SPL FACE MTD EP - 205 BRG - W/SEAL FOR W	1.000 EA
HW4032A01	BLACK DRAIN PLUG FOR WASH DOWN MOTORS	3.000 EA
12XN1032S20	10-32 X 1-1/4 HEX M.S. , STAINLESS STEEL	2.000 EA
35CB4522	35 LIPPED CB LID PRIMED	1.000 EA
35GS1030A02	35 GS FOR CB LID - WHITE NEOPRENE	1.000 EA
59XW0832S07	TAPTITE II,HEX WSHR UNSLTD SER,410 S.S.,	4.000 EA
85XU0407S04	4X1/4 U DRIVE PIN STAINLESS	2.000 EA
LB1164	LABEL,WARNING AND DRAIN	1.000 EA
HA5027A01	HA4066A01 T-DRAIN X2 BAGGED	1.000 EA
MJ1000A02	GREASE, POLYREX EM EXXON (USe 4824-15A)	0.050 LB
MG1025W01	WILKOFAS, 781.01, SIGNAL WHITE #9003	0.017 GA

Parts List (continued)		
Part Number	Description	Quantity
HW2502D13	SS KEY, 3/16 SQ X 1.375	1.000 EA
HA7000A04	KEY RETAINER 0.625 DIA SHAFTS	1.000 EA
HA3100S08	THRUBOLT 7.375LG SS	4.000 EA
LC0005	CONN.DIA.,TY M,9-LD,DUAL VOLT,REVERSING	1.000 EA
NP1496L	SS WD UL CSA CC	1.000 EA
35PA1066	PKG GRP, PRINT PK1008A06	1.000 EA

AC Induction Motor Performance Data
Record # 9255 - Typical performance - not guaranteed values

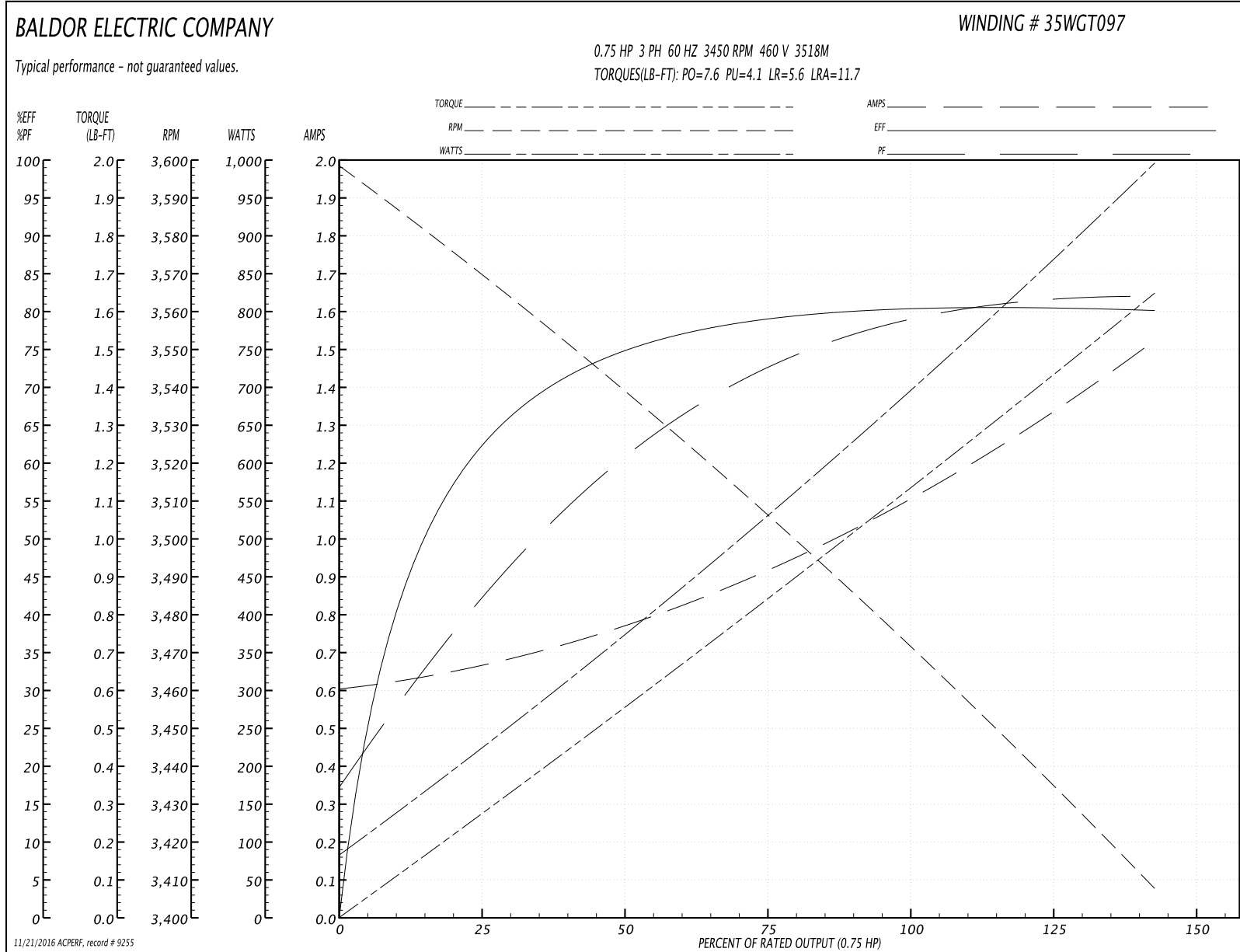
Winding: 35WGT097-R001	Type: 3518M	Enclosure: TENV
-------------------------------	--------------------	------------------------

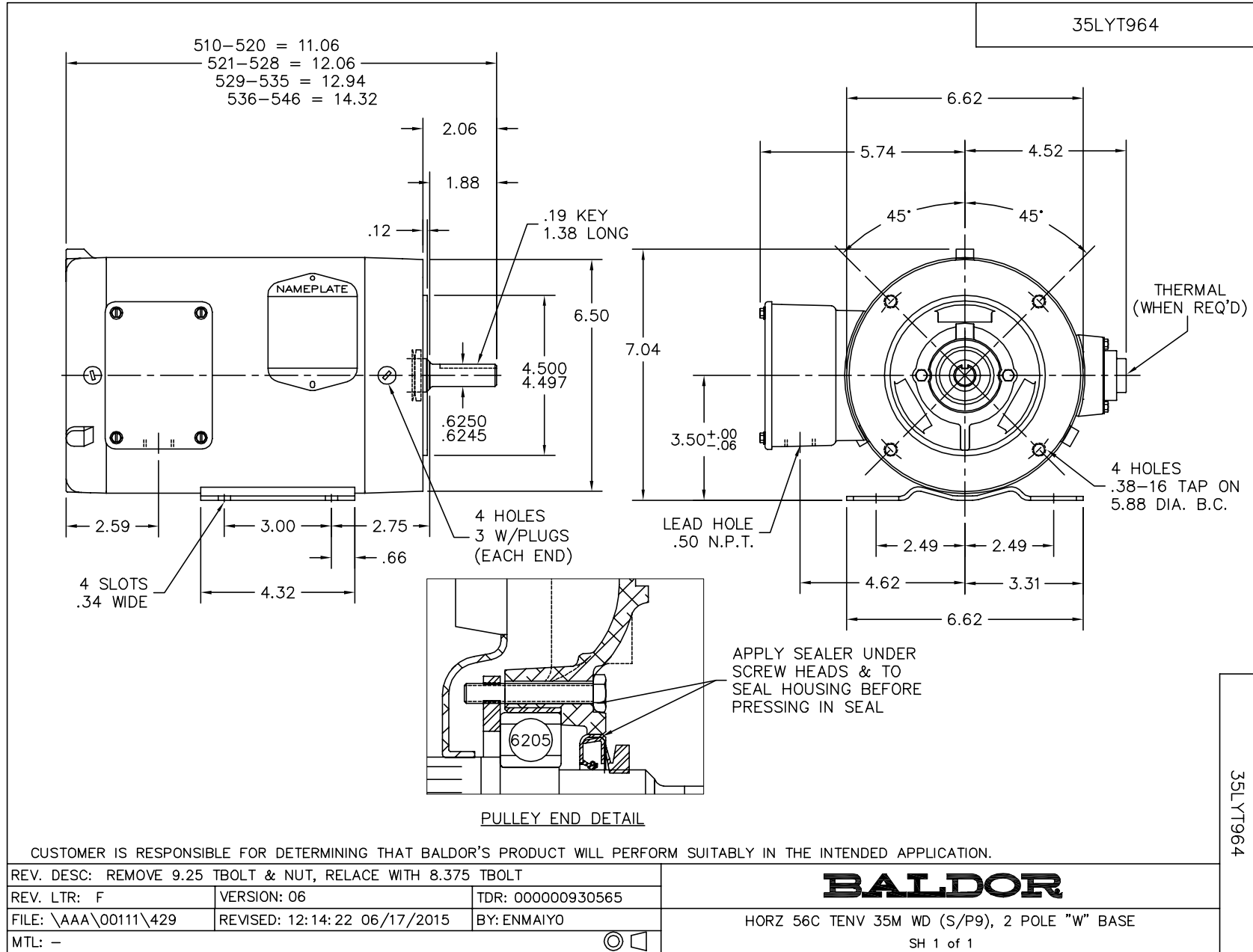
Nameplate Data				460 V, 60 Hz: High Voltage Connection	
Rated Output (HP)	.75			Full Load Torque	1.1 LB-FT
Volts	230/460			Start Configuration	direct on line
Full Load Amps	2.2/1.1			Breakdown Torque	7.6 LB-FT
R.P.M.	3450			Pull-up Torque	4.1 LB-FT
Hz	60	Phase	3	Locked-rotor Torque	5.6 LB-FT
NEMA Design Code	B	KVA Code	N	Starting Current	11.7 A
Service Factor (S.F.)	1.25			No-load Current	0.61 A
NEMA Nom. Eff.	80	Power Factor	80	Line-line Res. @ 25°C	14.8 Ω
Rating - Duty	40C AMB-CONT			Temp. Rise @ Rated Load	65°C
S.F. Amps	2.6/1.3			Temp. Rise @ S.F. Load	77°C

Load Characteristics 460 V, 60 Hz, 0.75 HP

% of Rated Load	25	50	75	100	125	150	S.F.
Power Factor	45	63	73	80	81	80	0
Efficiency	62.6	74.4	78.7	80.4	80.7	80.1	0
Speed	3571	3536	3509	3477	3444	3406	0
Line amperes	0.66	0.76	0.91	1.09	1.29	1.52	1.3

Performance Graph at 460V, 60Hz, 0.75HP Typical performance - Not guaranteed values





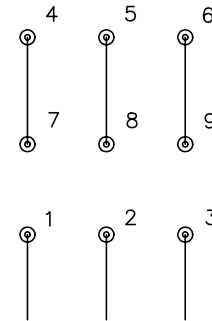
CD0005



LOW VOLTAGE
(2Y)



HIGH VOLTAGE
(1Y)



NOTES:

1. INTERCHANGE ANY TWO LINE LEADS TO REVERSE ROTATION.
2. OPTIONAL THERMOSTATS ARE PROVIDED WHEN SPECIFIED.
3. ACTUAL NUMBER OF INTERNAL PARALLEL CIRCUITS MAY BE A MULTIPLE OF THOSE SHOWN ABOVE.
4. LEAD COLORS ARE OPTIONAL. LEADS MUST ALWAYS BE NUMBERED AS SHOWN.

REV. DESC: REVISE TO SHOW OPTIONAL COLORS			
REV. LTR: E	BY: JLP	REVISED: 01/19/99 10:15	TDR: 0171435
9000D		FILE: AAA00005140	MDL: -
		MTL: -	

BALDOR ELECTRIC Co.

3PH, DV, 9 LEADS

CD0005