

BALDOR® • ***RELIANCE***

Product Information Packet

EBM3558T-S

2HP,1755RPM,3PH,60HZ,145TY,3528M,TEFC,F3

Part Detail							
Revision:	B	Status:	PRD/A	Change #:		Proprietary:	No
Type:	AC	Prod. Type:	3528M	Elec. Spec:	35WGN909	CD Diagram:	CD0005
Enclosure:	TEFC	Mfg Plant:		Mech. Spec:	35X162	Layout:	35LYX162
Frame:	145TY	Mounting:	F3	Poles:	04	Created Date:	10-08-2015
Base:	RG	Rotation:	R	Insulation:	F	Eff. Date:	10-28-2016
Leads:	9#18					Replaced By:	
Literature:		Elec. Diagram:					

Nameplate NP2934L	
CAT.NO.	EBM3558T-S
SPEC.	35X162N909G1
HP	2
VOLTS	230/460
AMP	5.8/2.9
RPM	1755
FRAME	145TY
SER.F.	1.15
NEMA-NOM-EFF	86.5
RATING	40C AMB-CONT
CC	010A
DE	6205
ENCL	TEFC
	IP22, BRK 10 FT-LB
	HZ 60
	PH 3
	CODE L
	DES B
	CL F
	PF 75
	USABLE AT 208V 6.6
	ODE 6205
	SN

Parts List		
Part Number	Description	Quantity
SA308639	SA 35X162N909G1	1.000 EA
RA295974	RA 35X162N909G1	1.000 EA
NS2512A01	INSULATOR, CONDUIT BOX X	1.000 EA
35CB4007	KOBX,W/PRIMER (REL# 79097-49-C)	1.000 EA
35GS3009	GASKET, KOBX 35CB4006 (411881-15A)	1.000 EA
51XB1016A05	10-16X5/16HX WA SL SR TYB (F/S)	2.000 EA
WD4101A13	STEEL CAPLUG,BP-1 1/8, PLUG D3561S	1.000 EA
11XW1032G06	10-32 X .38, TAPTITE II, HEX WSHR SLTD U	1.000 EA
HW5100A05	WVY WSHR F/205 & 304 BRGS	1.000 EA
35EP3101A02SP	STD PU ENDPLATE-ENCL-205 BRG LESS GREASE	1.000 EA
XY1032A02	10-32 HEX NUT DIRECTIONAL SERRATION	4.000 EA
HW1001A10	WASHER, #10 SPLT LK, ZN X	4.000 EA
HW2501D13	KEY, 3/16 SQ X 1.375	1.000 EA
BR2003D01	SPLINED HUB 7/8 W/O KEY	1.000 EA
35FN3003A02	EXFN, PLASTIC, 5.88 OD, .876 ID (REL)	1.000 EA
35FH4007A01	FAN COVER FOR SHORT SERIES BRAKE, PRIMER	1.000 EA
51XW1032A06	10-32 X .38, TAPTITE II, HEX WSHR SLTD S	4.000 EA
35CB4519	CB LID RAW & UNPRIMED, REL# 79097-50-B	1.000 EA
35GS3019A01	LEXIDE GASKET, FOR KOBX LID 35CB4519	1.000 EA
51XW0832A07	8-32 X .44, TAPTITE II, HEX WSHR SLTD SE	4.000 EA
WD4006A01	WIRE JOINT,T&B RB-4 OR RB-44	1.000 EA
HW2501D13	KEY, 3/16 SQ X 1.375	1.000 EA
HA7000A04	KEY RETAINER 0.625 DIA SHAFTS	1.000 EA
85XU0407S04	4X1/4 U DRIVE PIN STAINLESS	2.000 EA

Parts List (continued)		
Part Number	Description	Quantity
LB1418	INTEGRAL BRK ADJ LABEL (REL# 41171617A)	1.000 EA
MJ1000A02	GREASE, POLYREX EM EXXON (USe 4824-15A)	0.050 LB
MG1000N49	MUNSELL 8.5BG 3.57/2.0, GLOSS 30, B/G,	0.017 GA
LB1419	CONNECTION LABEL	1.000 EA
HA3100A71	THRUBOLT 10-32 X 9.500	4.000 EA
43BK0300B02	SSB-10-230/460 (205)L-HUB	1.000 EA
LB1424A02	BRAKE VOLT LABEL 230/460V SSB	1.000 EA
LB1119N	WARNING LABEL	1.000 EA
MN416A01	TAG-INSTAL-MAINT no wire (1200/bx) 11/14	1.000 EA
LC0005	CONN.DIA.,TY M,9-LD,DUAL VOLT,REVERSING	1.000 EA
NP2934L	ALUM SUPER-E UL CSA-EEV CE CC PREM	1.000 EA
G7PA1000	PKG GRP, PRINT PK1034A06	1.000 EA
PK3082	STYROFOAM CRADLE	1.000 EA

AC Induction Motor Performance Data

Record # 47673 - Typical performance - not guaranteed values

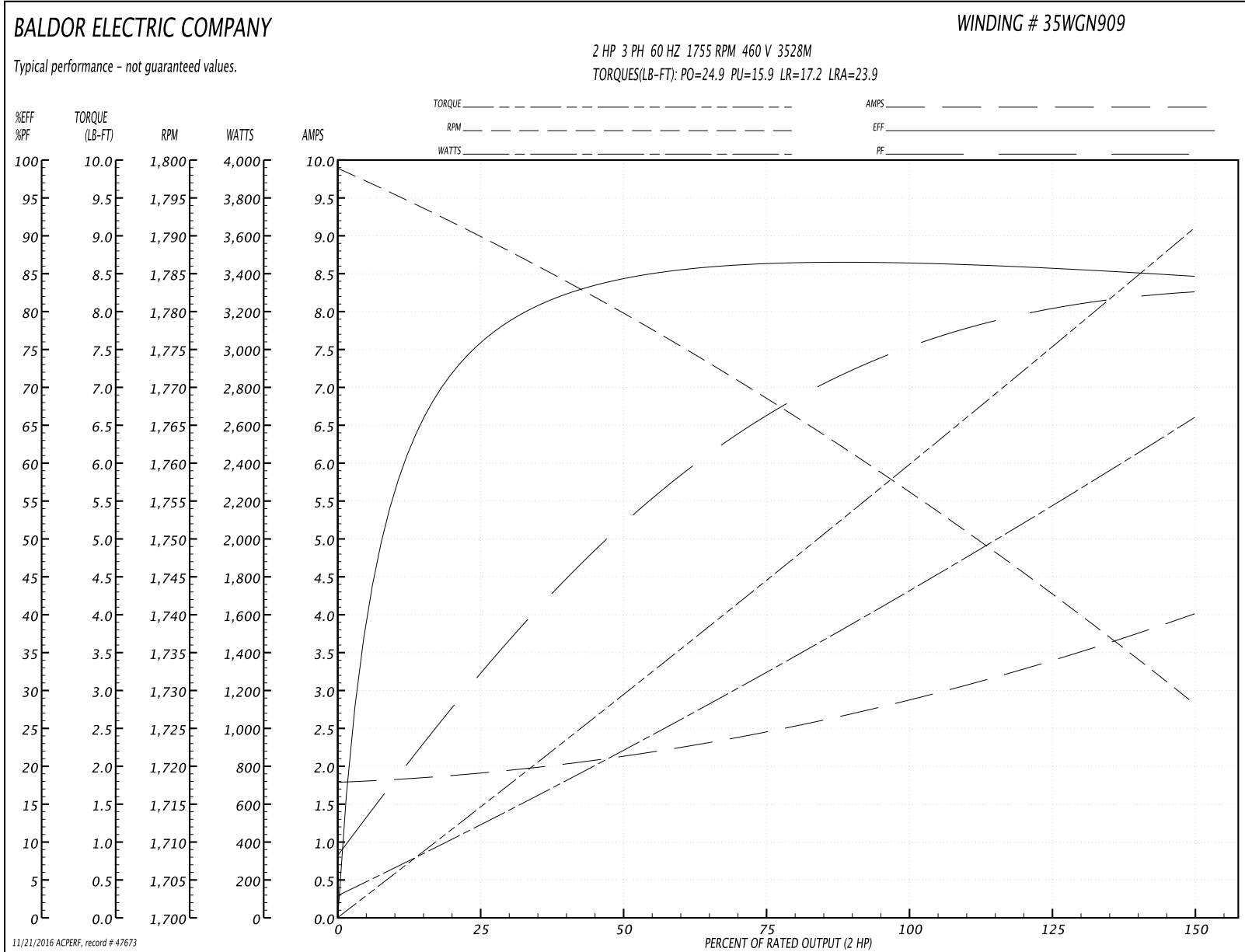
Winding: 35WGN909-R015	Type: 3528M	Enclosure: TEFC
-------------------------------	--------------------	------------------------

Nameplate Data				460 V, 60 Hz: High Voltage Connection	
Rated Output (HP)	2			Full Load Torque	5.99 LB-FT
Volts	230/460			Start Configuration	direct on line
Full Load Amps	5.8/2.9			Breakdown Torque	24.9 LB-FT
R.P.M.	1755			Pull-up Torque	15.9 LB-FT
Hz	60	Phase	3	Locked-rotor Torque	17.2 LB-FT
NEMA Design Code	B	KVA Code	L	Starting Current	23.9 A
Service Factor (S.F.)	1.15			No-load Current	1.81 A
NEMA Nom. Eff.	86.5	Power Factor	75	Line-line Res. @ 25°C	8.02 Ω
Rating - Duty	40C AMB-CONT			Temp. Rise @ Rated Load	65°C
S.F. Amps				Temp. Rise @ S.F. Load	77°C
				Locked-rotor Power Factor	52.4
				Rotor inertia	0.165 LB-FT ²

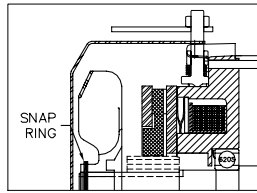
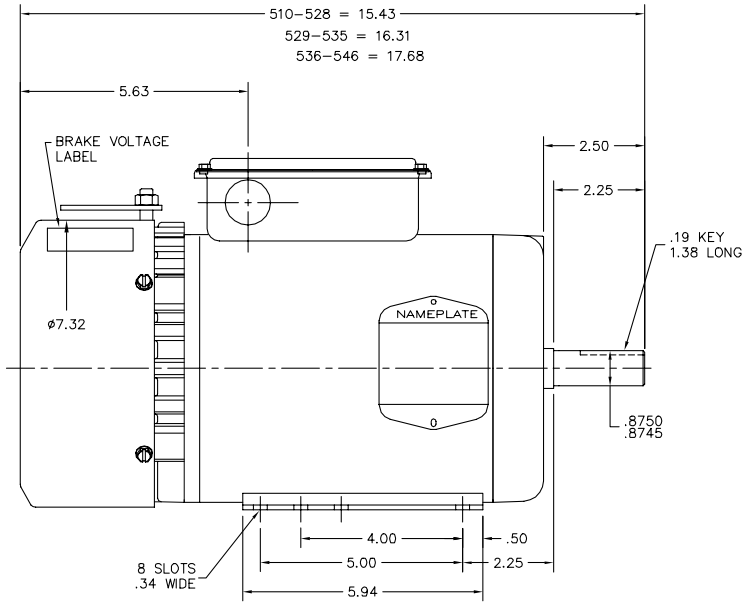
Load Characteristics 460 V, 60 Hz, 2 HP

% of Rated Load	25	50	75	100	125	150	S.F.
Power Factor	33	53	66	74	80	83	78
Efficiency	75.6	84.1	86.4	86.6	85.9	84.6	86.2
Speed	1790	1779	1769	1756	1743	1728	1748
Line amperes	1.89	2.11	2.46	2.91	3.4	4	3.2

Performance Graph at 460V, 60Hz, 2.0HP Typical performance - Not guaranteed values

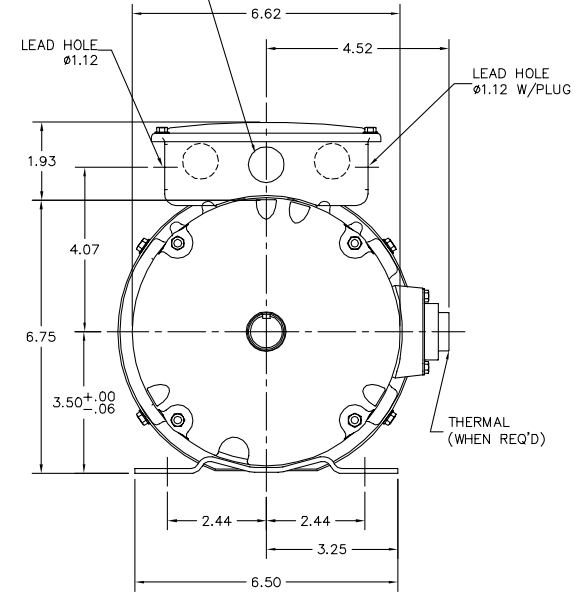


35LYX162



FRONT DETAIL VIEW

1 X Ø.88 KNOCKOUT (PU. END)
2 X Ø.88 KNOCKOUTS (FR. END)



CUSTOMER IS RESPONSIBLE FOR DETERMINING THAT MOTOR PERFORMANCE IS SUITABLE IN THE APPLICATION.

REV. DESC: NEW	VERSION: 00	TDR: 000000448542
REV. LTR: -	REVISED: 10:45:37 01/10/2008	BY: ENALEMO
FILE: \AAA\00153\650		
MTL: -		

BALDOR • DODGE • RELIANCE

HOR 143-5TY TEFC 35M F3 W/DODGE SSB BRAKE & 35CB4007

35LYX162

CD0005

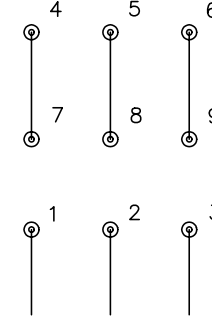


LOW VOLTAGE
(2Y)



LINE

HIGH VOLTAGE
(1Y)



LINE

NOTES:

1. INTERCHANGE ANY TWO LINE LEADS TO REVERSE ROTATION.
2. OPTIONAL THERMOSTATS ARE PROVIDED WHEN SPECIFIED.
3. ACTUAL NUMBER OF INTERNAL PARALLEL CIRCUITS MAY BE A MULTIPLE OF THOSE SHOWN ABOVE.
4. LEAD COLORS ARE OPTIONAL. LEADS MUST ALWAYS BE NUMBERED AS SHOWN.

REV. DESC: REVISE TO SHOW OPTIONAL COLORS			
REV. LTR: E	BY: JLP	REVISED: 01/19/99 10:15	TDR: 0171435
9000D		FILE: AAA00005140	MDL: -
		MTL: -	

BALDOR ELECTRIC Co.

3PH, DV, 9 LEADS

CD0005