

# **BALDOR**® • **RELIANCE**

## **Product Information Packet**

# **ECTM3768T**

**5 AIR OVERHP, 1160RPM, 3PH, 60HZ, 215T, 0748M**

Part Detail							
Revision:	E	Status:	PRD/A	Change #:		Proprietary:	No
Type:	AC	Prod. Type:	0748M	Elec. Spec:	07WGX823	CD Diagram:	CD0005
Enclosure:	TEAO	Mfg Plant:		Mech. Spec:	07N391	Layout:	07LYN391
Frame:	215T	Mounting:	F1	Poles:	06	Created Date:	08-14-2015
Base:	RG	Rotation:	R	Insulation:	F	Eff. Date:	06-16-2016
Leads:	9#14					Replaced By:	
Literature:		Elec. Diagram:					

<b>Nameplate NP1260E</b>										
CAT.NO.	ECTM3768T									
SPEC.	07N391X823G1									
HP	5 AIR OVER									
VOLTS	230/460									
AMP	14.6/7.3									
RPM	1160									
FRAME	215T					HZ	60		PH	3
SER.F.	1.15			CODE	K	DES	A		CL	F
NEMA-NOM-EFF	90.2			PF	72					
RATING	40C AMB-CONT									
CC									USABLE AT 208V	15.8
DE	6307				ODE	6206				
ENCL	TEAO			SN						
	1275 FPM 170 CFM									

Parts List		
Part Number	Description	Quantity
SA306951	SA 07N391X823G1	1.000 EA
RA294226	RA 07N391X823G1	1.000 EA
HW3201A05	3/8-16 EYEBOLT	1.000 EA
HA7205	"L" SHAPE LIFTING LUG FOR 37,39 & 40 FRA	2.000 EA
09CB1002A26G	KOBX W/1.00 NPT LD HL .25-20 TAP FOR LID	1.000 EA
RM1017	LEAD SEPERATOR GASKET MODEL 307 1/8" THK	1.000 EA
51XW2520A12	.25-20 X .75, TAPTITE II, HEX WSHR SLTD	2.000 EA
11XW1032G06	10-32 X .38, TAPTITE II, HEX WSHR SLTD U	1.000 EA
HW3001B01	BRASS CUP WASHER, FOR #8 SCREW	1.000 EA
HA4044A00	PLUG,PIPE 1/8 NPT PLASTIC SQUARE HEAD	2.000 EA
10XN2520A28	1/4-20X 1 3/4 HEX HD	4.000 EA
10XN2520S06	1/4 20X3/8 HX HD CAP S.S.	2.000 EA
WD1000B16	T&B CX70TN TERMINAL	2.000 EA
37EP1100D74G	FRONT TENV 37M 206 BRG COOLING TOWER W/O	1.000 EA
HA4054	SHORT T-DRAIN FITTING, .125" N.P.T.	1.000 EA
HA4044A00	PLUG,PIPE 1/8 NPT PLASTIC SQUARE HEAD	2.000 EA
51XN1032A22	10-32 X 1 3/8 HX WS SL SR	2.000 EA
HW5100A06	W2420-025 WVY WSHR (WB)	1.000 EA
37EP1101C77G	PULLEY 213-5T ENCL 307 BRG COOLING TOWER	1.000 EA
HW4600B51	SEAL 1.375 X 2.125 X 0.313 SINGLE LIP DB	1.000 EA
HA4054	SHORT T-DRAIN FITTING, .125" N.P.T.	1.000 EA
HA4044A00	PLUG,PIPE 1/8 NPT PLASTIC SQUARE HEAD	2.000 EA
XY3118A12	5/16-18 HEX NUT DIRECTIONAL SERRATION	4.000 EA
12CB1503A01G	CONDUIT BOX LID, MACH, WITH LIP,GREY	1.000 EA

<b>Parts List (continued)</b>		
<b>Part Number</b>	<b>Description</b>	<b>Quantity</b>
12GS1002	GASKET, CONDUIT BOX LID, NEOP	1.000 EA
10XN2520A24	1/4-20X 1 1/2 HEX HD X	2.000 EA
HW1001A25	LOCKWASHER 1/4, ZINC PLT .493 OD, .255 I	2.000 EA
HW2501F21	KEY, 5/16 SQ X 2.375	1.000 EA
HA7000A02	KEY RETAINER RING, 1 1/8 DIA, 1 3/8 DIA	1.000 EA
HW4600B33	V-RING SLINGER 1.375 X 1.890 X .35 VITON	1.000 EA
HW4600G52	DOME SLINGER, 5.438 OD X 1.370/1.320 ID	1.000 EA
MJ5001A27	32220KN GRAY SEALER *MIN BUY 4 QTS=1GAL	0.001 QT
MJ5001A02	732 CL SEALANT 3 OZ DIXIE BEARING 289100	1.000 EA
85XU0407S04	4X1/4 U DRIVE PIN STAINLESS	2.000 EA
LB1115N	LABEL,LIFTING DEVICE (ON ROLLS)	1.000 EA
LB1182	WARNING LABEL FOR MOTORS WITH EYENUTS	1.000 EA
MJ1000A02	GREASE, POLYREX EM EXXON (USe 4824-15A)	0.050 LB
HA3104A28	THRUBOLT .31-18 X 13.062	4.000 EA
MG1025G29	WILKOFASST, 789.229, DARK CHARCOAL GRAY	0.036 GA
LC0005E01	CONN.DIA./WARNING LABEL (LC0005/LB1119N)	1.000 EA
NP1260E	SS CP SUPER-E UL CSA CC	1.000 EA
07PA1011	PKG GRP, 07 CAST IRON PK1181	1.000 EA
10XL3808A28	3/8 X 1 3/4" LAG SCREW	2.000 EA
MN416A01	TAG-INSTAL-MAINT no wire (1000/bx) 11/14	1.000 EA
LB1417	LABEL CARTON 6X4 PERFORATED BLANK ROLLS	1.000 EA

**AC Induction Motor Performance Data**

Record # 35561 - Typical performance - not guaranteed values

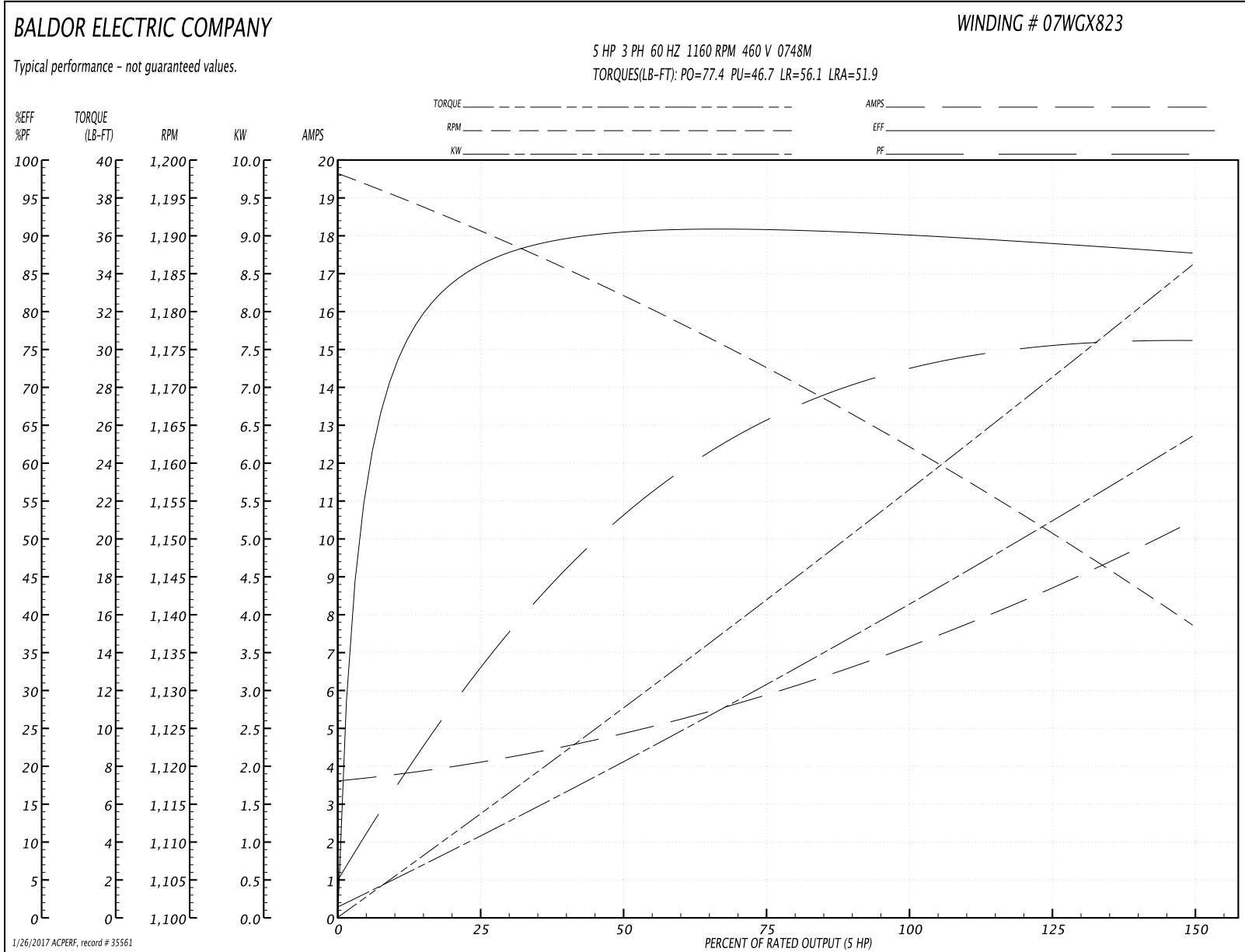
<b>Winding:</b> 07WGX823-R002	<b>Type:</b> 0748M	<b>Enclosure:</b> TEAO
-------------------------------	--------------------	------------------------

Nameplate Data				460 V, 60 Hz: High Voltage Connection	
Rated Output (HP)	5			Full Load Torque	22.8 LB-FT
Volts	230/460			Start Configuration	direct on line
Full Load Amps	14.6/7.3			Breakdown Torque	77.4 LB-FT
R.P.M.	1160			Pull-up Torque	46.7 LB-FT
Hz	60	Phase	3	Locked-rotor Torque	56.1 LB-FT
NEMA Design Code	A	KVA Code	K	Starting Current	51.9 A
Service Factor (S.F.)	1.15			No-load Current	3.7 A
NEMA Nom. Eff.	90.2	Power Factor	72	Line-line Res. @ 25°C	1.59 Ω
Rating - Duty	40C AMB-CONT			Temp. Rise @ Rated Load	50°C
S.F. Amps				Temp. Rise @ S.F. Load	61°C
				Locked-rotor Power Factor	22
				Rotor inertia	1.19 LB-FT <sup>2</sup>

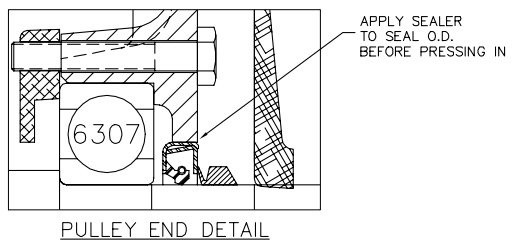
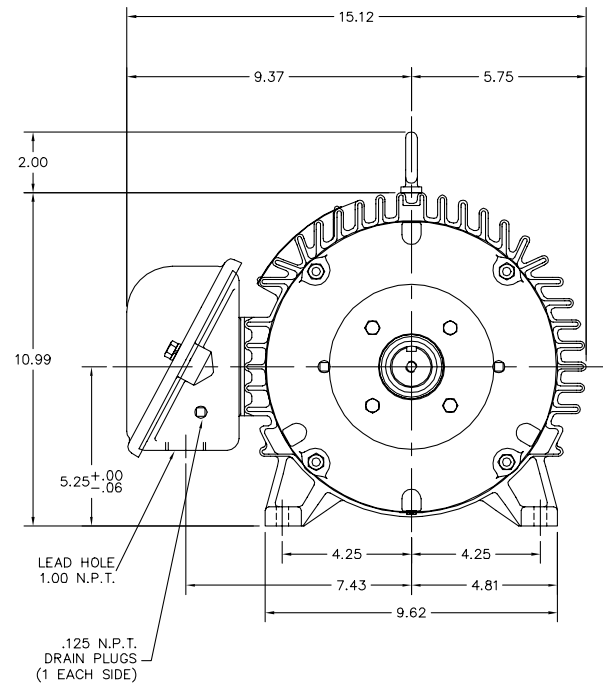
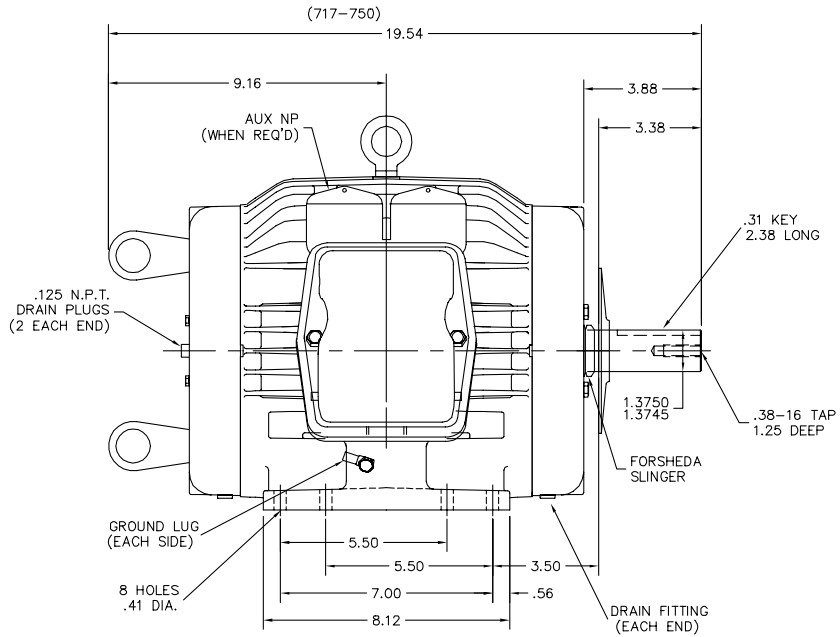
Load Characteristics 460 V, 60 Hz, 5 HP

% of Rated Load	25	50	75	100	125	150	S.F.
Power Factor	34	54	65	72	75	77	74
Efficiency	85.8	90.1	90.8	90.3	89.1	87.6	89.6
Speed	1190	1181	1173	1163	1151	1138	1156
Line amperes	4.01	4.79	5.88	7.29	8.77	10.4	8.18

Performance Graph at 460V, 60Hz, 5.0HP Typical performance - Not guaranteed values



07LYN391



NOTE:  
FOR VERTICAL SHAFT UP LIFTING,  
REMOVE EYE BOLT FROM TOP OF MOTOR  
AND SCREW INTO END OF SHAFT

07LYN391

CUSTOMER IS RESPONSIBLE FOR DETERMINING THAT BALDOR'S PRODUCT WILL PERFORM SUITABLY IN THE INTENDED APPLICATION.

REV. DESC: REPLACE 07SH2887 W/07SH2955	VERSION: 01	TDR: 000000964179
REV. LTR: A	REVISED: 08:26:01 02/02/2016	BY: ENALEMO
FILE: \AAA\00220\883	MTL: -	

**BALDOR**

HOR 213-5T TEAO CP COOL TOWER, LIFT, SLD BRGS, SEAL, DOME SL

SH 1 of 1

CD0005

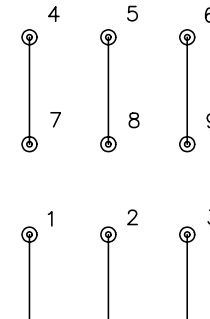


LOW VOLTAGE  
(2Y)



LINE

HIGH VOLTAGE  
(1Y)



LINE

NOTES:

1. INTERCHANGE ANY TWO LINE LEADS TO REVERSE ROTATION.
2. OPTIONAL THERMOSTATS ARE PROVIDED WHEN SPECIFIED.
3. ACTUAL NUMBER OF INTERNAL PARALLEL CIRCUITS MAY BE A MULTIPLE OF THOSE SHOWN ABOVE.
4. LEAD COLORS ARE OPTIONAL. LEADS MUST ALWAYS BE NUMBERED AS SHOWN.

REV. DESC: REVISE TO SHOW OPTIONAL COLORS			
REV. LTR: E	BY: JLP	REVISED: 01/19/99 10:15	TDR: 0171435
90000		FILE: AAA00005140	MDL: -
		MTL: -	

**BALDOR ELECTRIC Co.**

3PH, DV, 9 LEADS

CD0005