

BALDOR® • ***RELIANCE***

Product Information Packet

EHM2515T

20HP, 1765RPM, 3PH, 60HZ, 256T, 3948M, OPSB, F1

Part Detail							
Revision:	A	Status:	PRD/A	Change #:		Proprietary:	No
Type:	AC	Prod. Type:	3948M	Elec. Spec:	39WGX952	CD Diagram:	CD0180
Enclosure:	OPSB	Mfg Plant:		Mech. Spec:	39R006	Layout:	39LYR006
Frame:	256T	Mounting:	F1	Poles:	04	Created Date:	06-22-2016
Base:	RG	Rotation:	R	Insulation:	F	Eff. Date:	08-24-2016
Leads:	9#10					Replaced By:	
Literature:		Elec. Diagram:					

Nameplate NP2094E06B03	
CAT.NO.	EHM2515T
SPEC.	39R006X952G1
HP	20
VOLTS	230/460
AMPS	48/24
RPM	1765
FRAME	256T
	HZ 60
	PH 3
SER.F.	1.15
CODE	G
DES	A
CL	F
NEMA-NOM-EFF	93
	PF 85
RATING	40C AMB-CONT
CC	010A
	USABLE AT 208V 52
DE	6309
	ODE 6208
AUTO	
MANUAL	
NONE	
ENCL	OPSB
SN	
BLANK	

Parts List		
Part Number	Description	Quantity
SA322717	SA 39R006X952G1	1.000 EA
RA310516	RA 39R006X952G1	1.000 EA
S/P107-000-006	SUPER-E(284 FR. & UP)-ZK PLANT,POLYREX E	1.000 EA
HA6361A01	LIFTING LUG FOR 37, 39 & 40 FRAME ZINC	2.000 EA
39CB4000A01	CONDUIT BOX 39, STAMPED	1.000 EA
19XW2520A08	SCREW,1/4-20X1/2 TAPTITE-II OR ROLOC 91	2.000 EA
HW1001A25	LOCKWASHER 1/4, ZINC PLT .493 OD, .255 I	2.000 EA
WD1000B16	T&B CX70TN TERMINAL	1.000 EA
39EP3200A01SP	FR/PU ENDPLATE, MACH	1.000 EA
HW4500A20	1/8NPT SL PIPE PLUG	2.000 EA
HW5100A08	W3118-035 WVY WSHR (WB)	1.000 EA
39EP3201A23	PU ENDPLATE, MACH W/AEGIS SH RING MTG	1.000 EA
HW4500A20	1/8NPT SL PIPE PLUG	2.000 EA
84XN0540J08	5-40 X 1/2" SHCS, BLACK OXIDE	2.000 EA
XY3816A12	3/8-16 FINISHED NUT	8.000 EA
39CB4500A01	CONDUIT BOX LID 39, STAMPED, W/ PRIMER	1.000 EA
51XF1032A08	10/32X1/2 HXWSHR HD, SL, TYPE F ,SERATED	2.000 EA
HW2501G25	KEY, 3/8 SQ X 2.875	1.000 EA
39AD2002A01	BAFFLE PLATE 39 OPEN, SLOTTED BAND MTRS	1.000 EA
MJ1000A02	GREASE, POLYREX EM EXXON (USe 4824-15A)	0.030 LB
39AD2002A01	BAFFLE PLATE 39 OPEN, SLOTTED BAND MTRS	1.000 EA
HA3154A03	STUD, 3/8-16 X 17.75	4.000 EA
MG1000G27	MED CHARCOAL METALLIC GREY 400-0096	0.050 GA
LC0181	CONNECTION LABEL	1.000 EA

Parts List (continued)		
Part Number	Description	Quantity
NP2094E06B03	NP LABEL W/BARCODE (PREM EFF HVAC MTR)	1.000 EA
39PA1000	PACKAGING GROUP 39 PRINT	1.000 EA

AC Induction Motor Performance Data

Record # 56778 - Typical performance - not guaranteed values

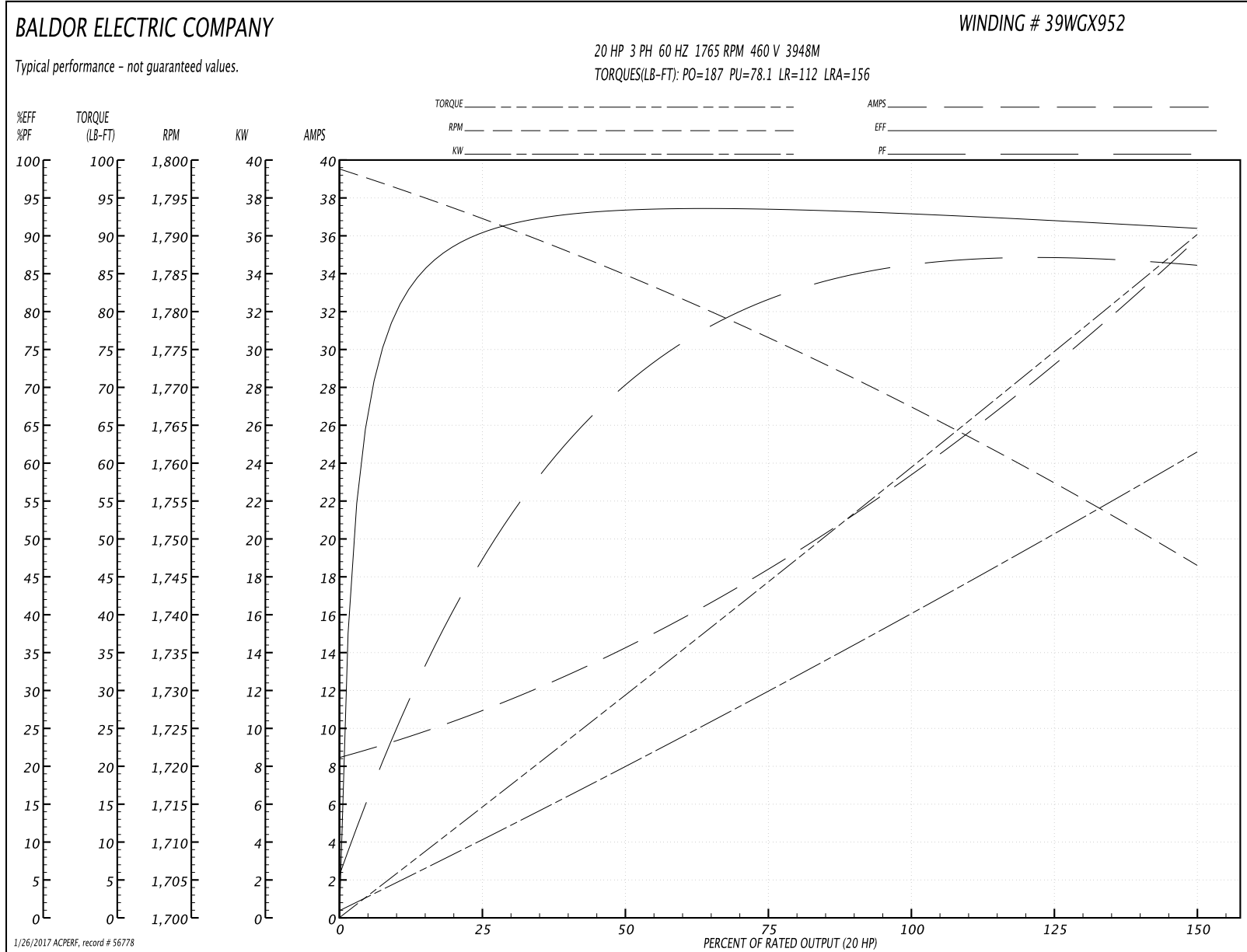
Winding: 39WGX952-R001	Type: 3948M	Enclosure: OPSB
-------------------------------	--------------------	------------------------

Nameplate Data				460 V, 60 Hz: High Voltage Connection	
Rated Output (HP)	20			Full Load Torque	59.7 LB-FT
Volts	230/460			Start Configuration	direct on line
Full Load Amps	48/24			Breakdown Torque	187 LB-FT
R.P.M.	1765			Pull-up Torque	78.1 LB-FT
Hz	60	Phase	3	Locked-rotor Torque	112 LB-FT
NEMA Design Code	A	KVA Code	G	Starting Current	156 A
Service Factor (S.F.)	1.15			No-load Current	8.83 A
NEMA Nom. Eff.	93	Power Factor	85	Line-line Res. @ 25°C	0.48438 Ω
Rating - Duty	40C AMB-CONT			Temp. Rise @ Rated Load	37°C
S.F. Amps				Temp. Rise @ S.F. Load	46°C
				Locked-rotor Power Factor	33.3

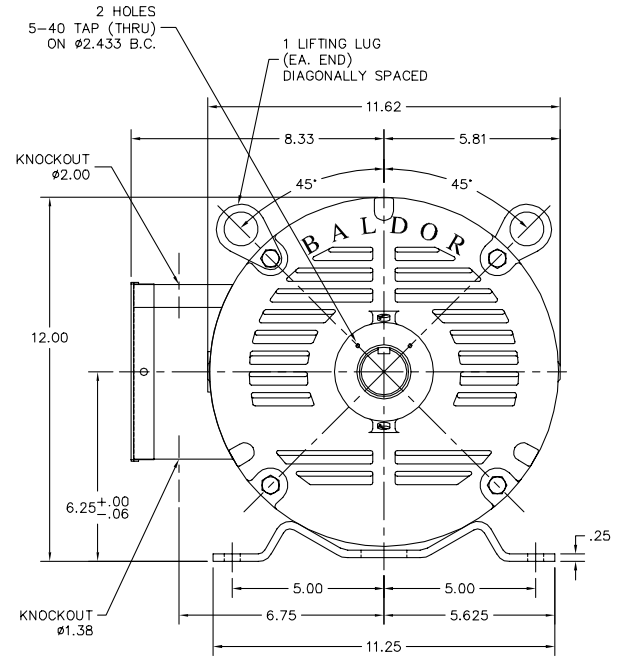
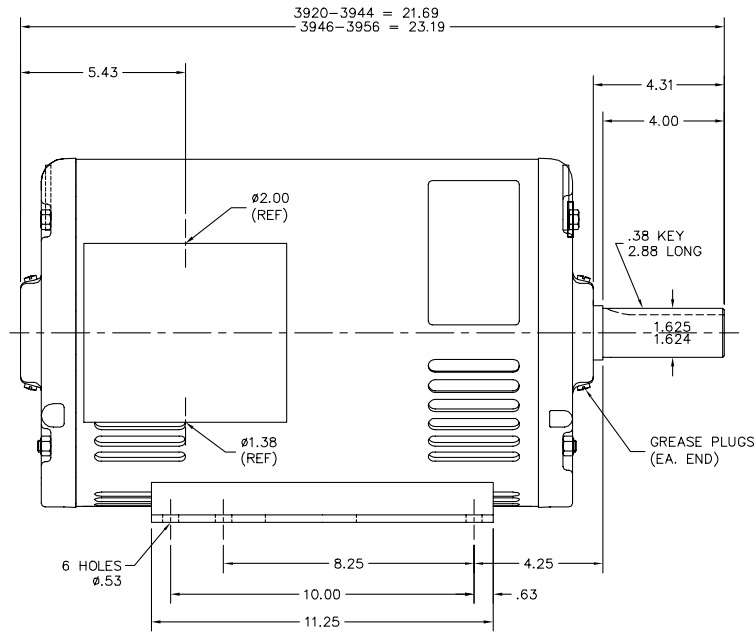
Load Characteristics 460 V, 60 Hz, 20 HP

% of Rated Load	25	50	75	100	125	150	S.F.
Power Factor	50	72	81	85	87	87	86
Efficiency	90.2	93.3	93.5	93	92.2	91	92.5
Speed	1792.2	1784.8	1776.1	1767.5	1757.6	1746.3	1762
Line amperes	10.5	14	18.6	23.8	29.4	35.6	27.2

Performance Graph at 460V, 60Hz, 20.0HP Typical performance - Not guaranteed values



39LYR006



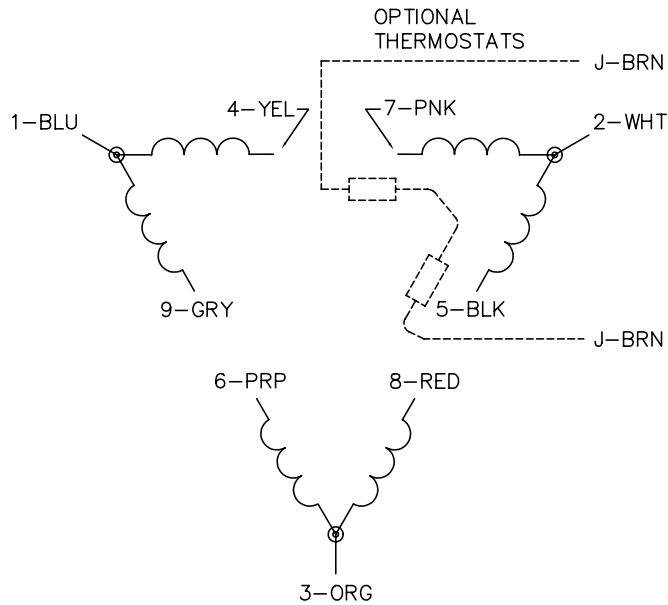
39LYR006

CUSTOMER IS RESPONSIBLE FOR DETERMINING THAT BALDOR'S PRODUCT WILL PERFORM SUITABLY IN THE INTENDED APPLICATION.

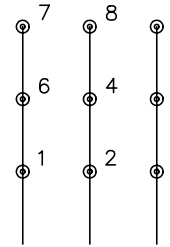
REV. DESC: ADD (2) 5-40 TAPPED HOLES TO PUEP	VERSION: 03	TDR: 00000722660
REV. LTR: C	REvised: 09:32:22 11/30/2011	BY: ENJOED0
FILE: \AAA\00081\398		
MTL: -		

BALDOR
 HORZ OPSB 254-61 W/ GREASE PLUGS (HVAC MOTOR) PREMIUM EFF.
 SH 1 of 1

CD0180

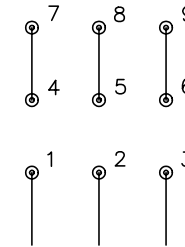


LOW VOLTAGE
(2D)



LINE

HIGH VOLTAGE
(1D)



LINE

NOTES:

1. INTERCHANGE ANY TWO LINE LEADS TO REVERSE ROTATION.
2. OPTIONAL THERMOSTATS ARE PROVIDED WHEN SPECIFIED.
3. ACTUAL NUMBER OF INTERNAL PARALLEL CIRCUITS MAY BE A MULTIPLE OF THOSE SHOWN ABOVE.
4. LEAD COLORS ARE OPTIONAL. LEADS MUST ALWAYS BE NUMBERED AS SHOWN.

REV. DESC: REVISE TO SHOW OPTIONAL COLORS

REV. LTR: C BY: JLP

REVISED: 01/21/99 2:28

TDR: 0171435

0810D0

FILE: AAA00005148

MDL: -

MTL: -

BALDOR ELECTRIC Co.

3PH, DV, 9 LEADS, DELTA CONNECTION

CD0180

Marketing maintained PDF of MN416:

<http://www.baldor.com/support/Literature/Load.ashx/MN416?ManNumber=MN416>