

BALDOR® • ***RELIANCE***

Product Information Packet

EHM4110T-5

40HP,1775RPM,3PH,60HZ,324T,1254M,TEFC,F1

Part Detail							
Revision:	L	Status:	PRD/A	Change #:		Proprietary:	No
Type:	AC	Prod. Type:	1254M	Elec. Spec:	12WGY285	CD Diagram:	CD0006
Enclosure:	TEFC	Mfg Plant:		Mech. Spec:	12G122	Layout:	12LYG122
Frame:	324T	Mounting:	F1	Poles:	04	Created Date:	12-05-2011
Base:	RG	Rotation:	R	Insulation:	F	Eff. Date:	01-04-2017
Leads:	3#8					Replaced By:	
Literature:		Elec. Diagram:					

Nameplate NP2138L												
CAT.NO.	EHM4110T-5			P/N				ENCLOSURE	TEFC			
SPEC.	12G122Y285G1		CC	010A		FRAME	324T		S/N			
HP	40			CLASS	F		HZ	60				
RPM	1775			PH	3		DES	A				
VOLT	575				KVA-CODE	H		ODE BRG	6311		DE BRG	6312
AMP	39			USABLE AT 208V								
RATING	40C AMB-CONT			GREASE	POLYREX EM							
NEMA-NOM-EFF	94.1	PF	82	SER.F.	1.15							
HTR-VOLTS			HTR-AMPS			MAX. SPACE HEATER TEMP.						

Parts List		
Part Number	Description	Quantity
SA235201	SA 12G122Y285G1	1.000 EA
RA222163	RA 12G122Y285G1	1.000 EA
09FN3001B03SP	EXTERNAL FAN, PLASTIC	1.000 EA
S/P107-000-004	SUPER-E(284 FR. & UP)-CL PLANT,POLYREX E	1.000 EA
10CB3001	CONDUIT BOX CAST W/2.500 LEAD HOLE	1.000 EA
12GS1000SP	GASKET	1.000 EA
10XN3118K12	5/16-18 X .75 GRADE 5, ZINC PLATED	4.000 EA
HW1001A31	LOCKWASHER 5/16, ZINC PLT.591 OD, .319 I	4.000 EA
WD1000B16	T&B CX70TN TERMINAL	1.000 EA
51XF2520A08	SCREW, HEX SER SLT HD, ZN 1/4-20 X .50 L	1.000 EA
12EP1107A05	FR ENDPLATE, MACH 324-6T	1.000 EA
HA3400A13	STUD, 1/2-13 X 7" WELKER	4.000 EA
HA4017A01	1/8 X 4 GREASE EXT (F/S)	1.000 EA
HW1001A50	LOCKWASHER 1/2, ZINC PLT.,.879 OD, .509 I	4.000 EA
HW5100A13	W4627-047 WVY WSHER	1.000 EA
10XN3118K36	5/16-18 X 2.25" HEX HD, GRADE 5	2.000 EA
HW1001A31	LOCKWASHER 5/16, ZINC PLT.591 OD, .319 I	2.000 EA
12EP1106A69	PU ENDPLATE, MACH	1.000 EA
10XN5013K28	1/2-13 X 1.75 HEX HEAD MACH SCREW,GRAD	4.000 EA
HW1001A50	LOCKWASHER 1/2, ZINC PLT.,.879 OD, .509 I	4.000 EA
10XN3118K40	5/16-18 X 2.50" HEX HD, GRADE 5	4.000 EA
HW1001A31	LOCKWASHER 5/16, ZINC PLT.591 OD, .319 I	4.000 EA
12FH1002SP	FAN COVER, CAST QF,WAUPACA QUALITY	1.000 EA
HW1001A50	LOCKWASHER 1/2, ZINC PLT.,.879 OD, .509 I	4.000 EA

Parts List (continued)		
Part Number	Description	Quantity
XY5013A12	NUT,1/2-13,HEX,STEEL,ZINCPLATED	4.000 EA
10CB3500SP	CONDUIT BOX LID, CAST	1.000 EA
10GS1000SP	GASKET, CONDUIT BOX LID	1.000 EA
51XW2520A12	.25-20 X .75, TAPTITE II, HEX WSHR SLTD	4.000 EA
HW2501H33	KEY, 1/2 SQ X 3.875	1.000 EA
84XN0540J08	5-40 X 1/2" SHCS, BLACK OXIDE	2.000 EA
LB1115N	LABEL,LIFTING DEVICE (ON ROLLS)	1.000 EA
MN416A01	TAG-INSTAL-MAINT no wire (1000/bx) 11/14	1.000 EA
HW4500A35	1/8 NPT STEEL .50 HEX CAP	1.000 EA
HW4500A20	1/8NPT SL PIPE PLUG	1.000 EA
HA4054	SHORT T-DRAIN FITTING, .125" N.P.T.	1.000 EA
MJ1000A02	GREASE, POLYREX EM EXXON (USe 4824-15A)	0.200 LB
HW4500A20	1/8NPT SL PIPE PLUG	2.000 EA
HA4054	SHORT T-DRAIN FITTING, .125" N.P.T.	1.000 EA
HW2500A25	WOODRUFF KEY USA #1008 #BLOW CARBON STEE	1.000 EA
51XB1214A20	12-14X1.25 HXWSSLD SERTYB	1.000 EA
MG1000G27	MED CHARCOAL METALLIC GREY 400-0096	0.080 GA
85XU0407S04	4X1/4 U DRIVE PIN STAINLESS	4.000 EA
LB1119N	WARNING LABEL	1.000 EA
LC0006	CONNECTION LABEL	1.000 EA
NP2138L	ALUM SUPER-E UL CSA-EEV PREM CC (300	1.000 EA
12PA1000	PACKAGING GROUP PRINT PK1024A06	1.000 EA

AC Induction Motor Performance Data

Record # 30999 - Typical performance - not guaranteed values

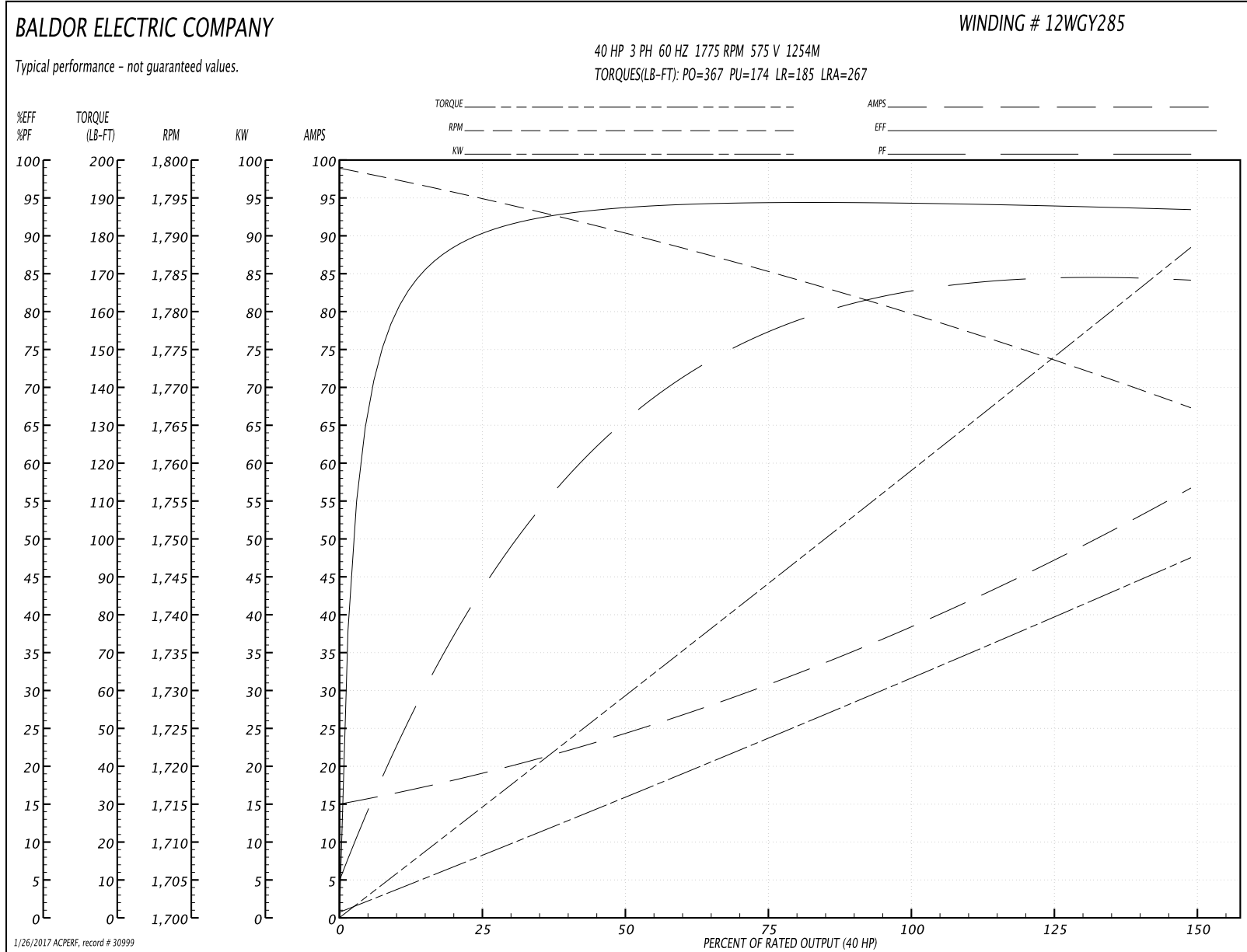
Winding: 12WGY285-R001	Type: 1254M	Enclosure: TEFC
-------------------------------	--------------------	------------------------

Nameplate Data				575 V, 60 Hz: Single Voltage Motor	
Rated Output (HP)	40			Full Load Torque	118 LB-FT
Volts	575			Start Configuration	direct on line
Full Load Amps	39			Breakdown Torque	367 LB-FT
R.P.M.	1775			Pull-up Torque	174 LB-FT
Hz	60	Phase	3	Locked-rotor Torque	185 LB-FT
NEMA Design Code	B	KVA Code	H	Starting Current	267 A
Service Factor (S.F.)	1.15			No-load Current	15.6 A
NEMA Nom. Eff.	94.1	Power Factor	82	Line-line Res. @ 25°C	0.232 Ω
Rating - Duty	40C AMB-CONT			Temp. Rise @ Rated Load	54°C
S.F. Amps				Temp. Rise @ S.F. Load	65°C
				Locked-rotor Power Factor	28
				Rotor inertia	7.19 LB-FT ²

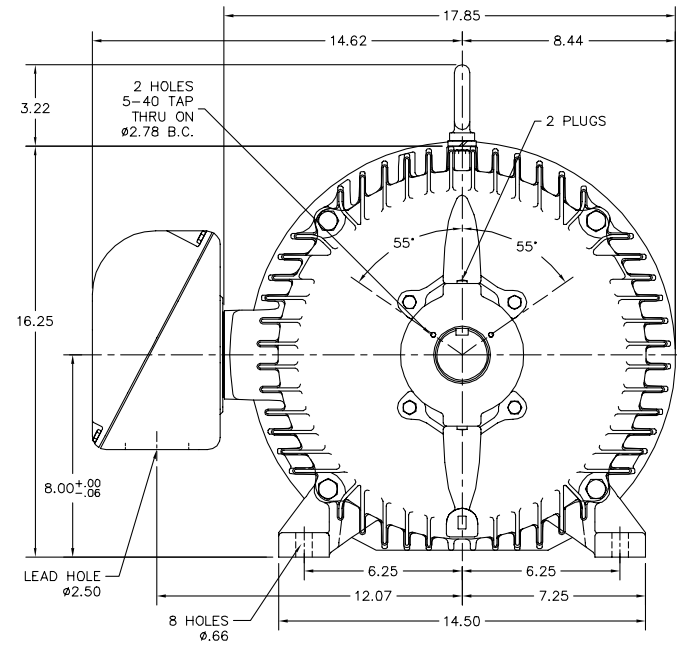
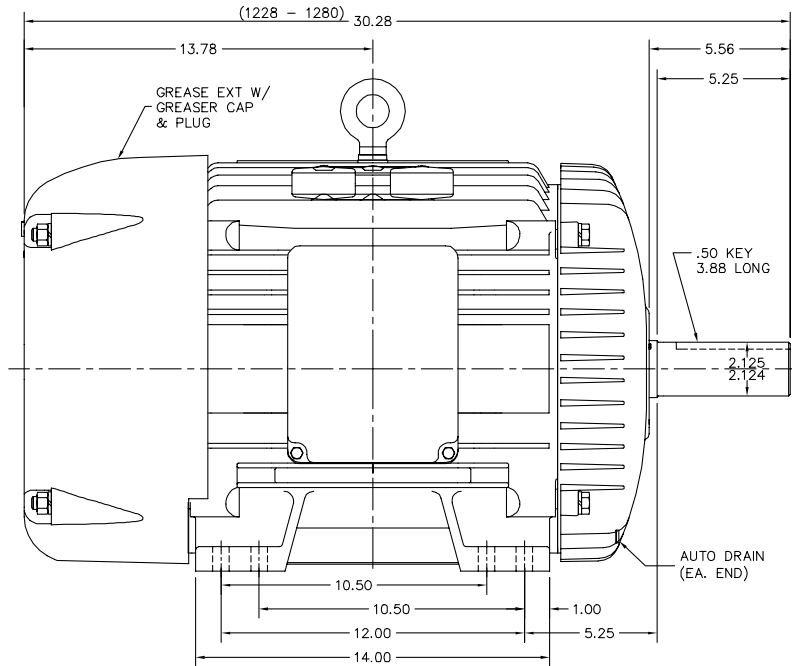
Load Characteristics 575 V, 60 Hz, 40 HP

% of Rated Load	25	50	75	100	125	150	S.F.
Power Factor	46	67	77	82	84	85	83
Efficiency	90.1	93.6	94.3	94.3	94.2	93.3	94.2
Speed	1795	1790	1785	1780	1774	1767	1776
Line amperes	18.3	24.1	31.1	38.7	47.6	56.3	44

Performance Graph at 575V, 60Hz, 40.0HP Typical performance - Not guaranteed values



12LYG122



12LYG122

CUSTOMER IS RESPONSIBLE FOR DETERMINING THAT BALDOR'S PRODUCT WILL PERFORM SUITABLY IN THE INTENDED APPLICATION.

REV. DESC: REMOVE LOCKNUT	VERSION: 03	TDR: 000000953592
REV. LTR: C	REVISED: 01:34:26 11/16/2015	BY: ENMARSO
FILE: \AAA\00175\435		
MTL: -		

BALDOR

HORZ TEFC 324-6T W/1/2 RING SH GND MTG
SH 1 of 1

CD0006



NOTES:

1. THREE LEAD MOTOR MAY BE EITHER WYE CONNECTED OR DELTA CONNECTED.
2. INTERCHANGE ANY TWO LINE LEADS TO REVERSE ROTATION.
3. OPTIONAL THERMOSTATS ARE PROVIDED WHEN SPECIFIED.
4. ACTUAL NUMBER OF INTERNAL PARALLEL CIRCUITS MAY VARY.
5. LEAD COLORS ARE OPTIONAL. LEADS MUST BE NUMBERED AS SHOWN.

REV. DESC: REVISE TO SHOW OPTIONAL COLORS			
REV. LTR: D	BY: JLP	REVISED: 01/21/99 4:02	TDR: 0171435
9000D		FILE: AAA00005141	MDL: -
		MTL: -	

BALDOR ELECTRIC Co.

3PH, SV, 3 LEADS, WYE OR DELTA CONNECTED

CD0006