

# **BALDOR**® • ***RELIANCE***

## **Product Information Packet**

# **EJPM3554T**

**1.5HP,1760RPM,3PH,60HZ,145JP,3526M,TEFC**

| Part Detail |       |                |       |             |          |               |            |
|-------------|-------|----------------|-------|-------------|----------|---------------|------------|
| Revision:   | D     | Status:        | PRD/A | Change #:   |          | Proprietary:  | No         |
| Type:       | AC    | Prod. Type:    | 3526M | Elec. Spec: | 35WGM493 | CD Diagram:   | CD0005     |
| Enclosure:  | TEFC  | Mfg Plant:     |       | Mech. Spec: | 35E972   | Layout:       | 35LYE972   |
| Frame:      | 145JP | Mounting:      | F1    | Poles:      | 04       | Created Date: | 05-19-2015 |
| Base:       | RG    | Rotation:      | R     | Insulation: | F        | Eff. Date:    | 12-15-2016 |
| Leads:      | 9#18  |                |       |             |          | Replaced By:  |            |
| Literature: |       | Elec. Diagram: |       |             |          |               |            |

|                            |              |  |  |      |    |     |                |     |  |    |   |
|----------------------------|--------------|--|--|------|----|-----|----------------|-----|--|----|---|
| <b>Nameplate NP3441L</b>   |              |  |  |      |    |     |                |     |  |    |   |
| CAT.NO.                    | EJPM3554T    |  |  |      |    |     |                |     |  |    |   |
| SPEC.                      | 35E972M493G1 |  |  |      |    |     |                |     |  |    |   |
| HP                         | 1.5          |  |  |      |    |     |                |     |  |    |   |
| VOLTS                      | 230/460      |  |  |      |    |     |                |     |  |    |   |
| AMP                        | 4.4/2.2      |  |  |      |    |     |                |     |  |    |   |
| RPM                        | 1760         |  |  |      |    |     |                |     |  |    |   |
| FRAME                      | 145JP        |  |  |      |    | HZ  | 60             |     |  | PH | 3 |
| SER.F.                     | 1.15         |  |  | CODE | L  |     | DES            | B   |  | CL | F |
| NEMA-NOM-EFF               | 86.5         |  |  | PF   | 73 |     |                |     |  |    |   |
| RATING                     | 40C AMB-CONT |  |  |      |    |     |                |     |  |    |   |
| CC                         | 010A         |  |  |      |    |     | USABLE AT 208V | 4.5 |  |    |   |
| DE                         | 6206         |  |  |      |    | ODE | 6203           |     |  |    |   |
| ENCL                       | TEFC         |  |  | SN   |    |     |                |     |  |    |   |
| VPWM INVERTER READY        |              |  |  |      |    |     |                |     |  |    |   |
| CT6-60H(10:1)VT3-60H(20:1) |              |  |  |      |    |     |                |     |  |    |   |
|                            |              |  |  |      |    |     |                |     |  |    |   |

| Parts List  |  |          |
|-------------|--|----------|
| Part Number | Description                              | Quantity |
| SA301054    | SA 35E972M493G1                          | 1.000 EA |
| RA288125    | RA 35E972M493G1                          | 1.000 EA |
| 34FN3002B01 | EXTERNAL FAN, PLASTIC, .637/.639 HUB W/  | 1.000 EA |
| NS2512A01   | INSULATOR, CONDUIT BOX X                 | 1.000 EA |
| 35CB3007    | 35 CB CASTING W/.88 DIA. LEAD HOLE       | 1.000 EA |
| 36GS1000SP  | GASKET-CONDUIT BOX, .06 THICK #SV-330 LE | 1.000 EA |
| 51XB1016A07 | 10-16 X 7/16 HXWSSLD SERTYB              | 2.000 EA |
| 11XW1032G06 | 10-32 X .38, TAPTITE II, HEX WSHR SLTD U | 1.000 EA |
| 35EP3100M07 | FREP TEFC 203BRG,GRSR,RLF(RAISED FH PADS | 1.000 EA |
| HW4500A01   | 1641B(ALEMITE)400 UNIV, GREASE FITT      | 1.000 EA |
| HW4500A17   | 317400 ALEMITE GREASE RELIEF             | 1.000 EA |
| HW5100A03SP | WAVY WASHER (W1543-017)                  | 1.000 EA |
| 35EP3401T05 | FACE ENCL 206 BRG W/GRS, RELIEF & TGHSLV | 1.000 EA |
| HW4500A01   | 1641B(ALEMITE)400 UNIV, GREASE FITT      | 1.000 EA |
| HW4500A17   | 317400 ALEMITE GREASE RELIEF             | 1.000 EA |
| 51XN1032A20 | 10-32 X 1 1/4 HX WS SL SR                | 2.000 EA |
| 51XB1214A16 | 12-14X1.00 HXWSSLD SERTYB                | 1.000 EA |
| 35FH4005A86 | IEC FH W/GRSR, NO DIMPLES W/PRIMER       | 1.000 EA |
| 51XW1032A06 | 10-32 X .38, TAPTITE II, HEX WSHR SLTD S | 3.000 EA |
| 35CB4521GX  | CONDUIT BOX LID KIT                      | 1.000 EA |
| 51XW0832A07 | 8-32 X .44, TAPTITE II, HEX WSHR SLTD SE | 4.000 EA |
| HA1005A02   | SLINGER, OD 2.00, ID 1.14, 206 BRG,      | 1.000 EA |
| HW2501D13   | KEY, 3/16 SQ X 1.375                     | 1.000 EA |
| HA7000A01   | KEY RETAINER 7/8" DIA SHAFT              | 1.000 EA |

| <b>Parts List (continued)</b> |  |                 |
|-------------------------------|--|-----------------|
| <b>Part Number</b>            | <b>Description</b>                       | <b>Quantity</b> |
| 85XU0407S04                   | 4X1/4 U DRIVE PIN STAINLESS              | 2.000 EA        |
| MJ1000A02                     | GREASE, POLYREX EM EXXON (USe 4824-15A)  | 0.050 LB        |
| MG1000Y03                     | MUNSELL 2.53Y 6.70/ 4.60, GLOSS 20,      | 0.017 GA        |
| HA3100A15                     | THRUBOLT 10-32 X 8.375                   | 4.000 EA        |
| LC0005E01                     | CONN.DIA./WARNING LABEL (LC0005/LB1119N) | 1.000 EA        |
| NP3441L                       | ALUM SUPER-E VPWM INVERTER READY UL      | 1.000 EA        |
| G7PA1000                      | PKG GRP, PRINT PK1034A06                 | 1.000 EA        |
| MN416A01                      | TAG-INSTAL-MAINT no wire (1000/bx) 11/14 | 1.000 EA        |

**AC Induction Motor Performance Data**

Record # 32424 - Typical performance - not guaranteed values

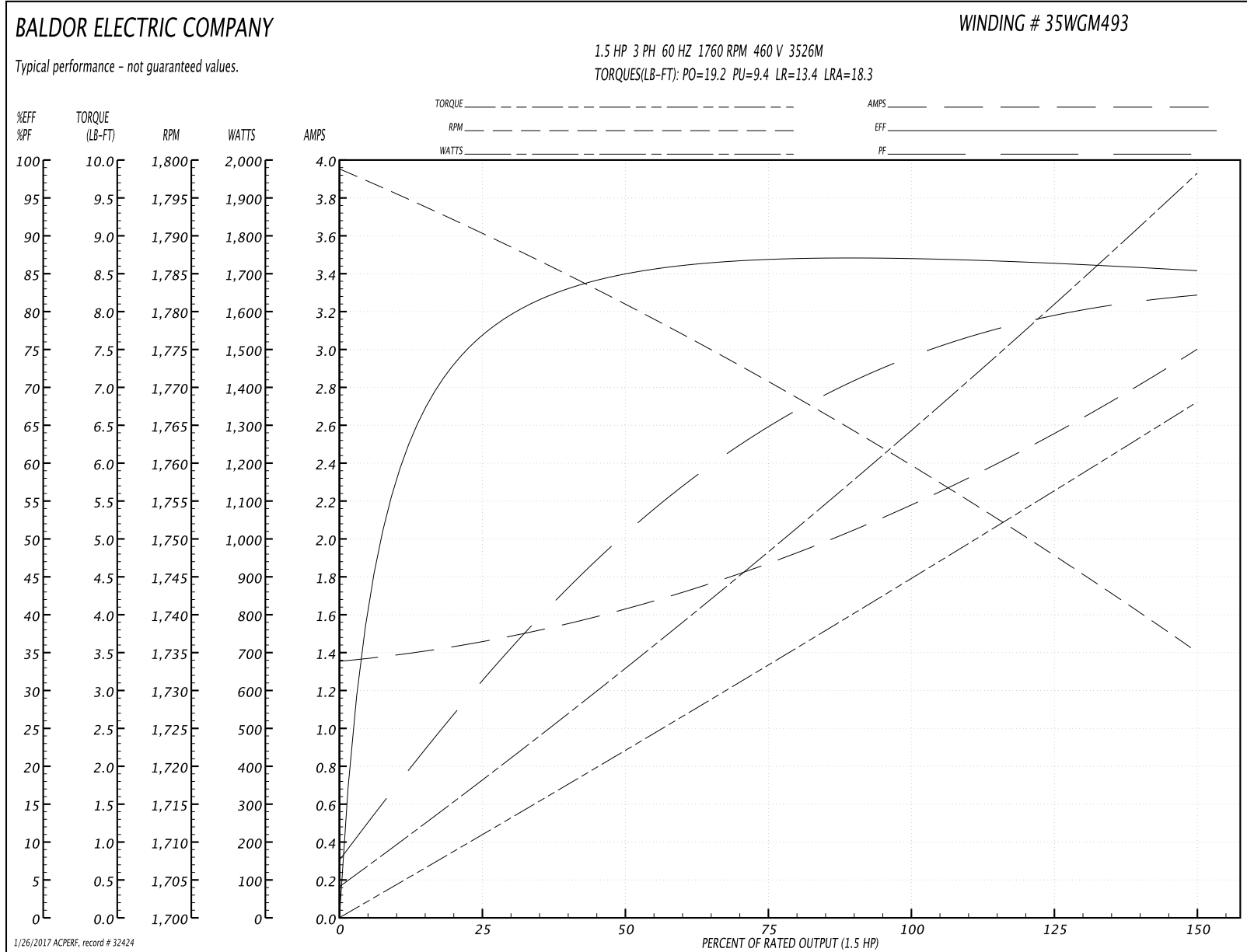
|                               |                    |                        |
|-------------------------------|--------------------|------------------------|
| <b>Winding:</b> 35WGM493-R001 | <b>Type:</b> 3526M | <b>Enclosure:</b> TEFC |
|-------------------------------|--------------------|------------------------|

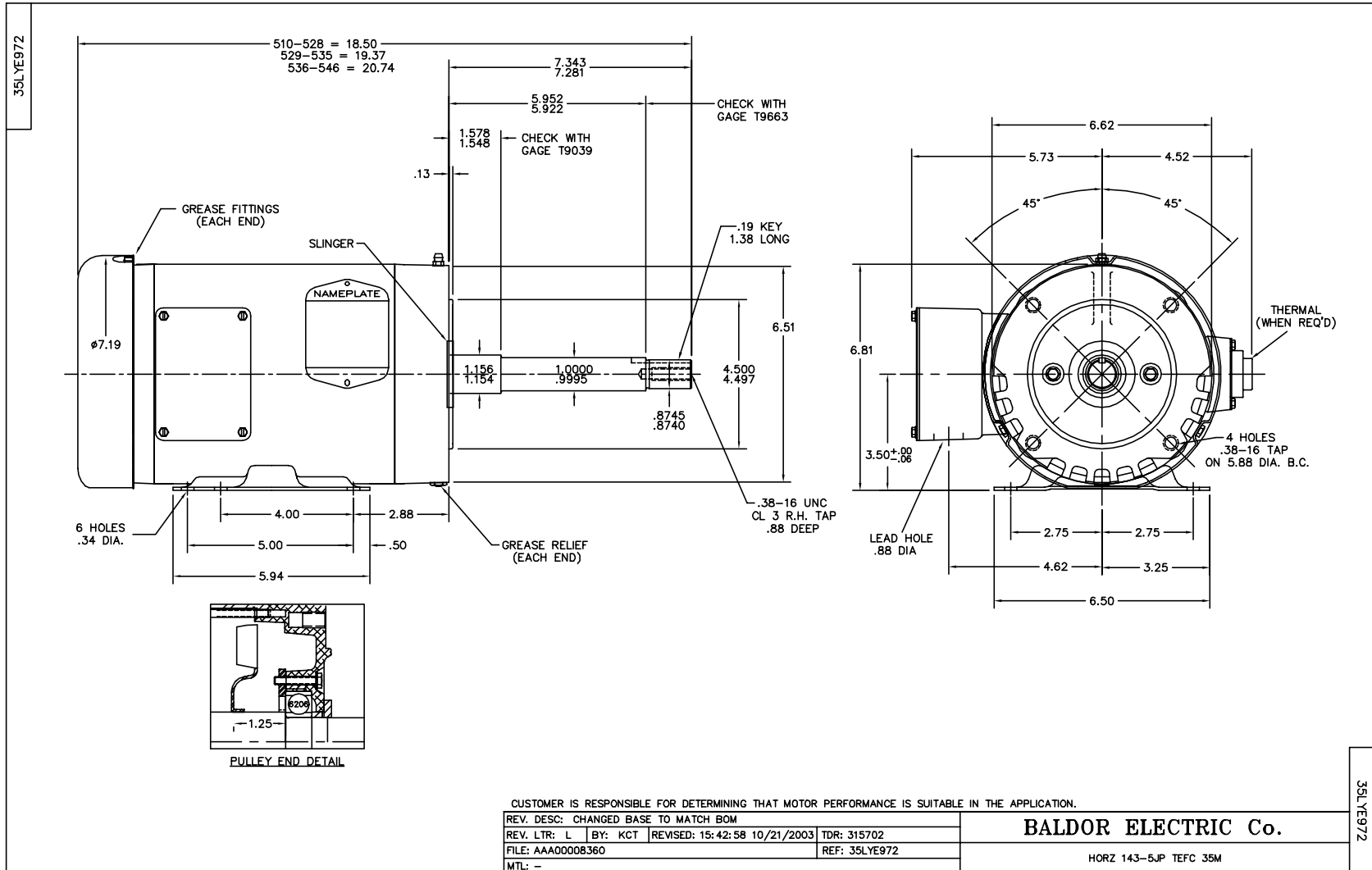
| Nameplate Data        |              |              |    | 460 V, 60 Hz:<br>High Voltage Connection |                          |
|-----------------------|--------------|--------------|----|--|--------------------------|
| Rated Output (HP)     | 1.5          |              |    | Full Load Torque                         | 4.47 LB-FT               |
| Volts                 | 208-230/460  |              |    | Start Configuration                      | direct on line           |
| Full Load Amps        | 4.5-4.4/2.2  |              |    | Breakdown Torque                         | 19.2 LB-FT               |
| R.P.M.                | 1760         |              |    | Pull-up Torque                           | 9.4 LB-FT                |
| Hz                    | 60           | Phase        | 3  | Locked-rotor Torque                      | 13.4 LB-FT               |
| NEMA Design Code      | B            | KVA Code     | L  | Starting Current                         | 18.3 A                   |
| Service Factor (S.F.) | 1.15         |              |    | No-load Current                          | 1.37 A                   |
| NEMA Nom. Eff.        | 86.5         | Power Factor | 73 | Line-line Res. @ 25°C                    | 10.66 Ω                  |
| Rating - Duty         | 40C AMB-CONT |              |    | Temp. Rise @ Rated Load                  | 44°C                     |
| S.F. Amps             |              |              |    | Temp. Rise @ S.F. Load                   | 53°C                     |
|                       |              |              |    | Locked-rotor Power Factor                | 52                       |
|                       |              |              |    | Rotor inertia                            | 0.154 LB-FT <sup>2</sup> |

Load Characteristics 460 V, 60 Hz, 1.5 HP

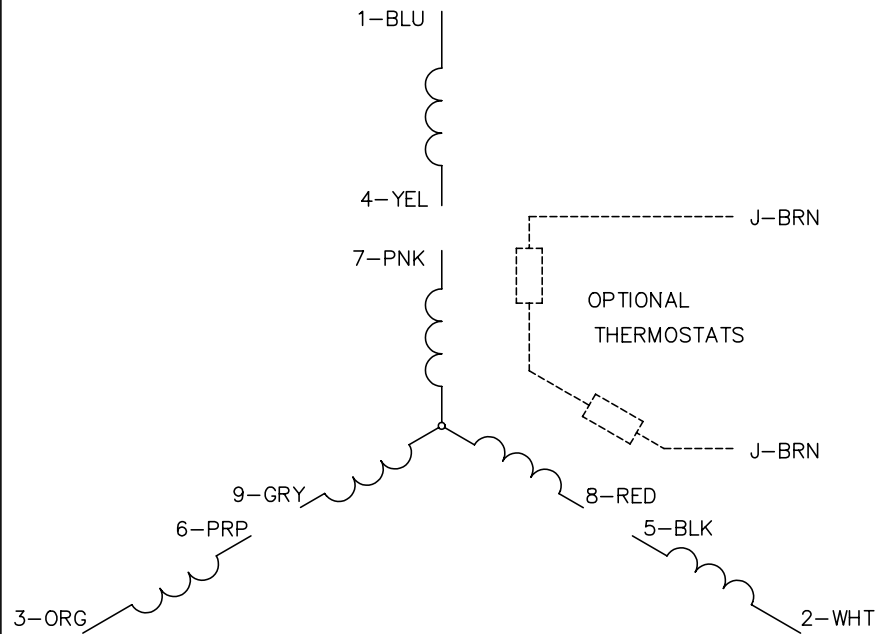
| % of Rated Load | 25     | 50     | 75     | 100    | 125    | 150    | S.F. |
|-----------------|--------|--------|--------|--------|--------|--------|------|
| Power Factor    | 31     | 51     | 65     | 73     | 79     | 83     | 77   |
| Efficiency      | 75.9   | 84.5   | 86.8   | 87.1   | 86.4   | 85.4   | 86.7 |
| Speed           | 1790.6 | 1781.1 | 1770.7 | 1760.1 | 1748.1 | 1734.9 | 1753 |
| Line amperes    | 1.44   | 1.61   | 1.86   | 2.19   | 2.58   | 2.98   | 2.42 |

Performance Graph at 460V, 60Hz, 1.5HP Typical performance - Not guaranteed values





CD0005

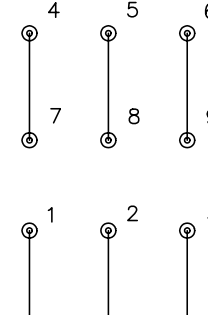


LOW VOLTAGE  
(2Y)



LINE

HIGH VOLTAGE  
(1Y)



LINE

NOTES:

1. INTERCHANGE ANY TWO LINE LEADS TO REVERSE ROTATION.
2. OPTIONAL THERMOSTATS ARE PROVIDED WHEN SPECIFIED.
3. ACTUAL NUMBER OF INTERNAL PARALLEL CIRCUITS MAY BE A MULTIPLE OF THOSE SHOWN ABOVE.
4. LEAD COLORS ARE OPTIONAL. LEADS MUST ALWAYS BE NUMBERED AS SHOWN.

|   |         |                         |              |
|---|---------|-------------------------|--------------|
| REV. DESC: REVISE TO SHOW OPTIONAL COLORS |         |                         |              |
| REV. LTR: E                               | BY: JLP | REVISED: 01/19/99 10:15 | TDR: 0171435 |
| 90000                                     |         | FILE: AAA00005140       | MDL: -       |
|   |         | MTL: -                  |              |

**BALDOR ELECTRIC Co.**

3PH, DV, 9 LEADS

CD0005