

# **BALDOR**® • *RELIANCE*

## **Product Information Packet**

# **EM251202T-4**

**200HP,3565RPM,3PH,60HZ,444TS,A44056M,DP**

Part Detail							
Revision:	-	Status:	PRD/A	Change #:		Proprietary:	No
Type:	AC	Prod. Type:	A44056M	Elec. Spec:	A44WG2691	CD Diagram:	416820-008
Enclosure:	DP	Mfg Plant:		Mech. Spec:		Layout:	611750-001
Frame:	444TS	Mounting:	F1	Poles:	02	Created Date:	02-09-2015
Base:		Rotation:	R	Insulation:	B	Eff. Date:	02-16-2015
Leads:	6#1					Replaced By:	
Literature:		Elec. Diagram:					

Nameplate NP2496L	
MOBIL POLYREX EM	

Nameplate NP2349L											
SPEC NO.	A44-6809-2691			CAT.NO.	EM251202T-4			FRAME	444/5TS		
HP	200	VOLTS	460	PHASE	3	DESIGN	B	TYPE	P		
RPM	3565	AMPS	221	HZ	60	AMB	40	SF	1.15		
DRIVE END BEARING	65BC03J30X		DUTY	CONT		INSUL.CLASS	F				
OPP D.E. BEARING	65BC03J30X		ENCL	DP		CODE	F				
SER.NO.				POWER FACTOR	88		NEMA-NOM-EFFICIENCY	95.4			
						MAX CORR KVAR	30		GUARANTEED EFFICIENCY		94.5
						NEMA NOM/CSA QUOTED EFF					
						MOTOR WEIGHT		1737			

Parts List		
Part Number	Description	Quantity
SA293722	SA A44-6809-2691	1.000 EA
RA279814	RA A44-6809-2691	1.000 EA
421948044	LABEL, MYLAR	1.000 EA
NP2496L	MOTOR LUBE NAMEPLATE	1.000 EA
000613006PU	N/P (RELEASE QTY 10,000) UL CSA LABEL	1.000 EA
000692000VD	LABEL WARNING	1.000 EA
NP2349L	SUPER-E ,SS, CSA, CSA SUPER-E	1.000 EA
702611001A	BAFFL 440 SUB PAINT	1.000 EA
089438082A	BRKT 440 089438081WCB	1.000 EA
004824015A	GREASE POLYREX EM	0.540 LB
032018028EK	HHCS 5/8-11X3-1/2L PLTD	4.000 EA
032018028CK	HHCS 3/8-16X3-1/2 PLTD.	3.000 EA
410700004F	WSHR	1.000 EA
035000001G	GREASE RELIEF FITTING, ALEMITE 317400	1.000 EA
034017012AB	LCKW 1/4 STD. PLATED	4.000 EA
405851012AF	SPACE	4.000 EA
032018012AK	HHCS 1/4-20X1-1/2 PLTD.	4.000 EA
034000012AB	WSHR 1/4 STD. PLATED	4.000 EA
034600001AA	BUSH 1/4TO1/8 BLACK	1.000 EA
405851012AF	SPACE	4.000 EA
034017012AB	LCKW 1/4 STD. PLATED	4.000 EA
034600001AA	BUSH 1/4TO1/8 BLACK	1.000 EA
034000012AB	WSHR 1/4 STD. PLATED	4.000 EA
032018012AK	HHCS 1/4-20X1-1/2 PLTD.	4.000 EA

Parts List (continued)		
Part Number	Description	Quantity
089438082A	BRKT 440 089438081WCB	1.000 EA
702611001A	BAFFL 440 SUB PAINT	1.000 EA
032018028EK	HHCS 5/8-11X3-1/2L PLTD	4.000 EA
032018028CK	HHCS 3/8-16X3-1/2 PLTD.	3.000 EA
035000001G	GREASE RELIEF FITTING, ALEMITE 317400	1.000 EA
702658001A	CONDUIT BOX, E440	1.000 EA
702658002A	+C/BOX CVR, PAINTED 440	1.000 EA
406056008A	GASKET, TERBD 440	1.000 EA
418153001A	GASK 440	1.000 EA
418150003A	GREASE FITTING CAP	1.000 EA
032018008DK	HHCS 1/2-13X1 PLATED	4.000 EA
048897010DG	PLUG,ODE BRKT - 360	1.000 EA
048977006J	GRFTG - 440	1.000 EA
035000001A	ALFTG 1/8" 1610-BL	1.000 EA
415000103D	T/LUG #4AWG-1/0AWG W/HOLE FOR .250 BOLT	1.000 EA
033512006LB	HHTTS 1/4-20X3/4 PLTD.	8.000 EA
033512004LB	HHTTS 1/4-20X1/2 PLTD.	1.000 EA
035000001A	ALFTG 1/8" 1610-BL	1.000 EA
418150003A	GREASE FITTING CAP	1.000 EA
MG1025Y03	WILKOFASST, 789.701, SUPER E PEARL GOLD	2.000 QT
033775004EA	DRSCR #6-1/4 304 S.S.	2.000 EA
034180024HA	KEY 5/8X5/8X3 L	1.000 EA
604797045	STD. 400 FRAME SKID	1.000 EA
032510024D	CARRIAGE BOLT - 444	2.000 EA

Product Information Packet: EM251202T-4 - 200HP,3565RPM,3PH,60HZ,444TS,A44056M,DP

034001016AB	WSHR .562ID 1.375OD .109	2.000 EA
034001014AB	FLAT WASHER 3/8"PLATED	2.000 EA
033300014AC	HEX NUT, SHIPPING - 400	2.000 EA
604797003C	SHIPPING BAG	1.000 EA

REL. S.O.	FRAME	HP	TYPE	PHASE/ HERTZ	RPM	VOLTS
	444T	200	P	3/60	3565	460
AMPS	DUTY	AMB °C/ INSUL.	S.F.	NEMA DESIGN	CODE LETTER	ENCL.
221	CONT	40/F	1.15	B	F	PRXE
E/S	ROTOR	TEST S.O.	TEST DATE	STATOR RES. @25 °C OHMS (BETWEEN LINES)		
497748	418143-14-CE	---	---	.0299		

PERFORMANCE

LOAD	HP	AMPERES	RPM	POWER FACTOR %	EFFICIENCY %
NO LOAD	0	54.8	3600	4.98	0
1/4	50.1	73.6	3592	67.9	93.8
2/4	100	112	3584	87.4	95.8
3/4	150	162	3575	90.4	95.9
4/4	200	221	3566	88.6	95.6
5/4	250	289	3556	85.1	95.1

SPEED TORQUE

	RPM	TORQUE % FULL LOAD	TORQUE LB.-FT.	AMPERES
LOCKED ROTOR	0	143	421	1282
PULL UP	1240	126	370	1270
BREKDOWN	3431	234	690	835
FULL LOAD	3566	100	295	221

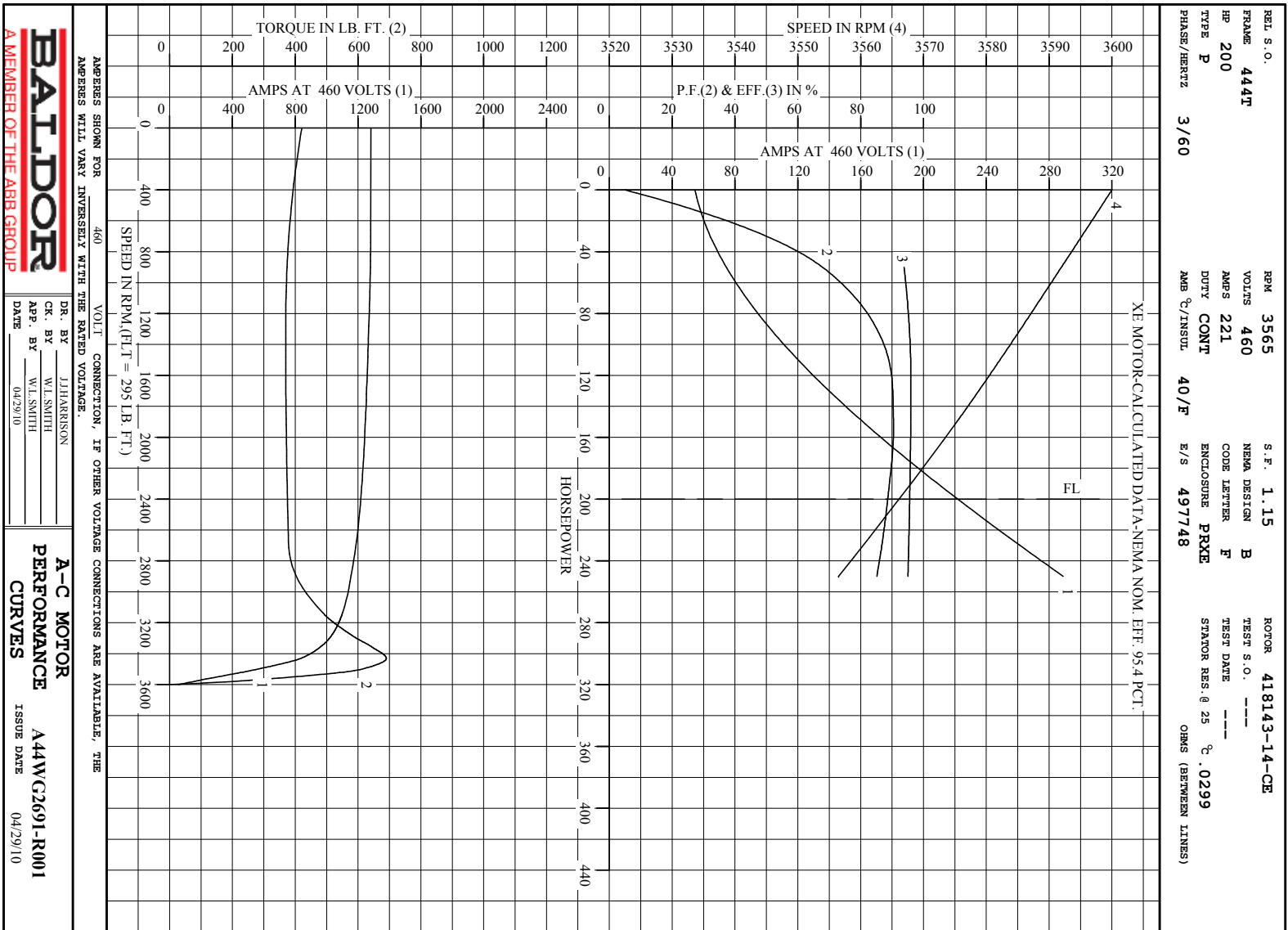
AMPERES SHOWN FOR 460. VOLT CONNECTION. IF OTHER VOLTAGE CONNECTIONS ARE AVAILABLE, THE AMPERES WILL VARY INVERSELY WITH THE RATED VOLTAGE

REMARKS : XE MOTOR--CALCULATED DATA-NEMA NOM. EFF. 95.4 PCT.



DR. BY J.J. HARRISON  
 CK. BY W.L. SMITH  
 APP. BY W.L. SMITH  
 DATE 04/29/10

A-C MOTOR PERFORMANCE DATA  
 A44WG2691-R001  
 ISSUE DATE 04/29/10



Printed on 8/12/15 12:22 @ bengap01.baldor.com

611750-001

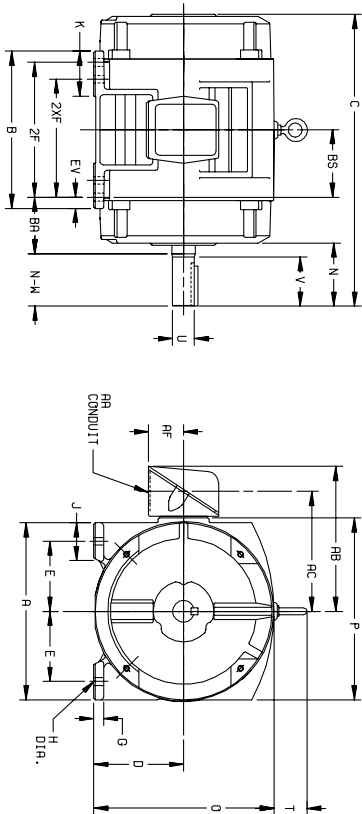
# DUTY MASTER ALTERNATING CURRENT MOTORS

SQUIRREL-CAGE INDUCTION

ENCLOSURE: PROTECTED  
MOUNTING: FOOT

FRAMES 250T THRU 440T

COOLING: SELF-VENTILATED



DIMENSIONS ARE IN INCHES

FRAME	A	D(2)	E	G	H	J	K	O	P	T	STEEL TERMINAL BOX						EV
											AA	AB	AC	AF	BA	EA	
254T-256T	12.50	6.25	5.00	.69	.56	2.25	3.50	12.81	12.69	2.44	1-1/4	10.19	8.19	2.50	4.25	.62	
284T-286T	14.00	7.00	5.50	.75	.56	2.75	3.75	14.12	14.31	2.44	1-1/2	12.19	9.44	3.19	4.75	1.00	
324T-326T	15.75	8.00	6.25	.88	.69	3.12	4.00	16.10	16.42	2.44	2	14.25	10.75	4.25	5.25	1.00	
364T-366T	17.00	9.00	7.00	.88	.69	3.00	3.62	18.30	19.56	2.94	3	18.06	14.00	5.38	5.88	1.00	
404T-406T	19.00	10.00	8.00	1.12	.81	3.25	4.75	20.56	21.81	2.94	3	19.06	15.00	4.38	6.62	1.12	
444T-446T	21.00	11.00	9.00	1.12	.81	3.25	5.25	22.91	23.62	3.25	3	22.62	17.38	5.50	7.50	1.25	

FRAME	SIZE	C	BS	B	ZF	N	O	P	T	SHAFT AND KEY			WEIGHT LBS. (5)
										N-W(6)	U(3)	V	
254T	22.44	5.00	11.25	---	8.25	4.25	4.00	1.625	3.75	.375	2.75	.265	
284T	24.94	5.50	13.00	---	9.50	4.88	4.00	1.625	3.75	.375	2.75	.275	
284T	23.56	5.50	13.00	---	9.50	3.50	3.25	1.625	3.00	.375	1.88	.340	
286T	24.94	5.50	13.00	---	9.50	4.88	4.62	1.875	4.38	.500	3.25	.370	
286T	23.56	5.50	13.00	---	9.50	3.50	3.25	1.625	3.00	.375	1.88	.370	
324T	27.56	6.00	14.00	---	10.50	5.50	3.25	2.125	5.00	.500	3.75	.465	
324T	26.06	6.00	14.00	---	10.50	4.00	3.75	1.875	3.50	.500	2.00	.465	
326T	27.56	6.00	14.00	---	12.00	5.50	3.25	2.125	5.00	.500	3.75	.505	
326T	26.06	6.00	14.00	---	12.00	4.00	3.75	1.875	3.50	.500	2.00	.505	
364T	29.70	6.12	14.25	---	11.25	6.12	3.88	2.375	5.62	.625	4.25	.710	
364T	27.56	6.12	14.25	---	11.25	4.00	3.75	1.875	3.50	.500	2.00	.710	
365T	29.70	6.12	14.25	---	12.25	6.12	3.88	2.375	5.62	.625	4.25	.755	
365T	27.56	6.12	14.25	---	12.25	4.00	3.75	1.875	3.50	.500	2.00	.750	
404T	34.00	6.88	16.00	---	12.25	7.62	4.25	2.625	7.00	.750	5.50	1.020	
404T	34.00	6.88	16.00	---	12.25	4.62	4.25	2.125	4.00	.500	2.75	1.020	
405T	34.00	6.88	16.00	---	13.75	7.62	4.25	2.625	7.00	.750	5.50	1.065	
405T	34.00	6.88	16.00	---	13.75	4.62	4.25	2.125	4.00	.500	2.75	1.060	
444T	39.56	8.25	19.00	---	14.50	8.94	4.50	3.375	8.25	.875	6.88	1.715	
444T	39.56	8.25	19.00	---	14.50	5.19	4.75	2.375	4.50	.625	3.00	1.750	
445T	39.56	8.25	19.00	---	16.50	8.94	4.50	3.375	8.25	.875	6.88	1.750	
445T	39.56	8.25	19.00	---	16.50	5.19	4.75	2.375	4.50	.625	3.00	1.750	

- (1) SPECIAL DIMENSIONS APPLYING TO THIS ORDER ON THIS LINE.
  - (2) "D" VARIES [ 290T - 320T +.00, -.03.
  - (3) "U" VARIES +.000, -.001
  - (4) ALL FRAMES HAVE EIGHT MOUNTING HOLES FOR DUAL MOUNTING.
  - (5) MOTOR WEIGHTS MAY VARY BY 15% DEPENDING UPON RATING.
- CONDUIT BOX LOCATED ON OPPOSITE SIDE WHEN F-2-W-1, W-4-W-5-W-7, OR C-1 MOUNTING IS SPECIFIED.

IF MOUNTING CLEARANCE DETAILS ARE REQUIRED, CONSULT FACTORY.

MAXIMUM PERMISSIBLE SHAFT RUNOUT WHEN MEASURED AT END OF STD. SHAFT EXTENSION IS .002 T.I.R. UP TO AND INCLUDING 1.625 DIA. AND .005 T.I.R. ABOVE 1.625 TO 5 INCH DIA.

FRAMES: N-W VARIES +.00, -.25; PE-  
 ORDER: ITEM- HP- CERTIFIED FOR- RPM- PH- HZ VOLTS  
 SALES ORDER- APPROVED BY- DATE

100-057119

CUSTOMER IS RESPONSIBLE FOR DETERMINING THAT BALDOR'S PRODUCT WILL PERFORM SUITABLY IN THE INTENDED APPLICATION.

REV. DESC: ASSIGNED TO BUSLOAD	VERSION: 01	TDR: 000000489455
REV. LTR: A	REVISED: 15:03:33 02/02/2009	BY: RAG2JR
FILE: \RAG\00008\297		
MTL: -		

**Baldor • Dodge • Reliance**

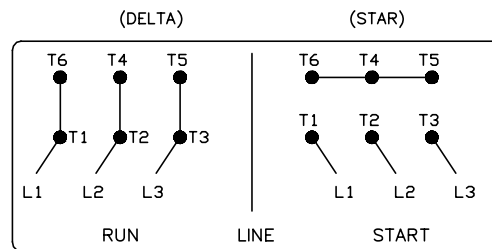
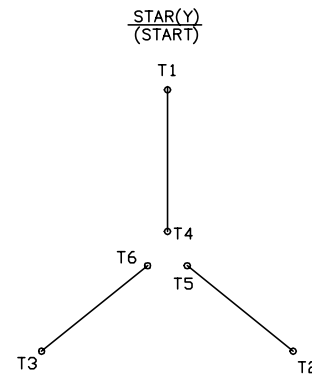
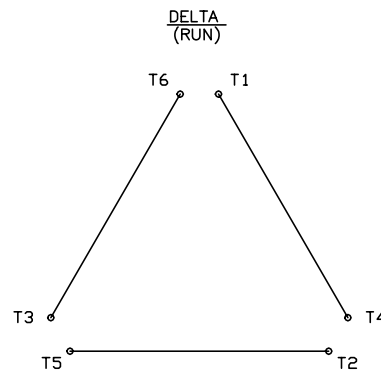
DIM SHT PROT SV FT 250-440T  
SH 1 of 1

416820-008

# A-C MOTOR CONNECTION DIAGRAM

STANDARD 6 LEAD

Y START - DELTA RUN



< N. P. 1767-DC >

416820-008

REV. DESC: ADDED T4 TO Y CONNECT DIAGRAM		
REV. LTR: D	VERSION: 04	TDR: 000000847713
FILE: \RAG\00001\808	REVISED: 10: 41: 26 04/08/2014	BY: RAGJSS1
MTL: -	⊙ □	

**BALDOR**

CONNECT DIAGRAM STD 6 LEAD Y START DELTA RUN

SH 1 of 1

Marketing maintained PDF of MN408:

<http://www.baldor.com/support/Literature/Load.ashx/MN408?ManNumber=MN408>

Marketing maintained PDF of MN416:

<http://www.baldor.com/support/Literature/Load.ashx/MN416?ManNumber=MN416>