

BALDOR® • **RELIANCE**

Product Information Packet

EM2515T-CI

20HP, 1765RPM, 3PH, 60HZ, 256T, 0946M, OPEN, F1

Part Detail							
Revision:	J	Status:	PRD/A	Change #:		Proprietary:	No
Type:	AC	Prod. Type:	0946M	Elec. Spec:	09WGY363	CD Diagram:	CD0005
Enclosure:	OPEN	Mfg Plant:		Mech. Spec:	09D01	Layout:	09LYD001
Frame:	256T	Mounting:	F1	Poles:	04	Created Date:	03-08-2010
Base:	RG	Rotation:	R	Insulation:	F	Eff. Date:	01-26-2017
Leads:	9#12					Replaced By:	
Literature:		Elec. Diagram:					

Nameplate NP3553L

CAT.NO.	EM2515T-CI				
SPEC.	09D001Y363G2				
HP	20				
VOLTS	230/460				
AMP	48/24				
RPM	1765				
FRAME	256T	HZ	60	PH	3
SER.F.	1.15	CODE	H	DES	A
NEMA-NOM-EFF	93	PF	84	CL	F
RATING	40C AMB-CONT				
CC	010A	USABLE AT 208V			49
DE	6309	ODE	6208		
ENCL	OPEN	SN			
VPWM INVERTER READY					
CT30-60(2:1) VT3-60(20:1)					

Parts List		
Part Number	Description	Quantity
SA191855	SA 09D001Y363G2	1.000 EA
RA179511	RA 09D001Y363G2	1.000 EA
09CB3000SP	CONDUIT BOX CAST	1.000 EA
10XN2520K12	1/4-20 X.75 GRD 5	2.000 EA
HW1001A25	LOCKWASHER 1/4, ZINC PLT .493 OD, .255 I	2.000 EA
WD1000B17	T&B CX35TN TERMINAL	1.000 EA
11XW1032G06	10-32 X .38, TAPTITE II, HEX WSHR SLTD U	1.000 EA
HW1001A08	WASHER, #8 SPLT LK, ZN	3.000 EA
09EP1200A01	FR ENDPLATE, MACH	1.000 EA
10XN3816K52	3/8-16 X 3-1/4 HEX HEAD CAP SCREW GRD 5	4.000 EA
HW1001A38	LOCKWASHER 3/8, ZINC PLT .688 OD, .382 I	4.000 EA
HW5100A08	W3118-035 WVY WSHR (WB)	1.000 EA
HW1001A08	WASHER, #8 SPLT LK, ZN	3.000 EA
09EP1201A01	PU ENDPLATE, MACH	1.000 EA
10XN3816K52	3/8-16 X 3-1/4 HEX HEAD CAP SCREW GRD 5	4.000 EA
HW1001A38	LOCKWASHER 3/8, ZINC PLT .688 OD, .382 I	4.000 EA
09CB3500SP	CONDUIT BOX LID, CAST	1.000 EA
51XW2520A12	.25-20 X .75, TAPTITE II, HEX WSHR SLTD	2.000 EA
HW2501G25	KEY, 3/8 SQ X 2.875	1.000 EA
LB1115N	LABEL,LIFTING DEVICE (ON ROLLS)	1.000 EA
MN416A01	TAG-INSTAL-MAINT no wire (1000/bx) 11/14	1.000 EA
09AD2000A01	AIR DEFLECTOR, 309 OPEN	1.000 EA
12XN0832A12	8-32 X 3/4 HEX HD SCREW	3.000 EA
11XW1032A12	#10-32 X .75 HX WASHER HEAD	3.000 EA

Parts List (continued)		
Part Number	Description	Quantity
HW4500A03	GREASE FITTING, .125 NPT 1610(ALEMITE) 8	1.000 EA
HW4500A20	1/8NPT SL PIPE PLUG	1.000 EA
HA4051A00	PLASTIC CAP FOR GREASE FITTING	1.000 EA
MJ1000A02	GREASE, POLYREX EM EXXON (USe 4824-15A)	0.080 LB
09AD2000A01	AIR DEFLECTOR, 309 OPEN	1.000 EA
HW4500A03	GREASE FITTING, .125 NPT 1610(ALEMITE) 8	1.000 EA
HW4500A20	1/8NPT SL PIPE PLUG	1.000 EA
HA4051A00	PLASTIC CAP FOR GREASE FITTING	1.000 EA
MG1000Y03	MUNSELL 2.53Y 6.70/ 4.60, GLOSS 20,	0.050 GA
85XU0407S04	4X1/4 U DRIVE PIN STAINLESS	2.000 EA
LC0005E02	SPL CONN.DIA./WARN.LABEL(LC0005/LB1119)	1.000 EA
NP3553L	ALUM SUPER-E VPWM INVERTER READY UL	1.000 EA
09PA1000	PACKAGING GROUP COMBINED PRINT	1.000 EA

AC Induction Motor Performance Data

Record # 32255 - Typical performance - not guaranteed values

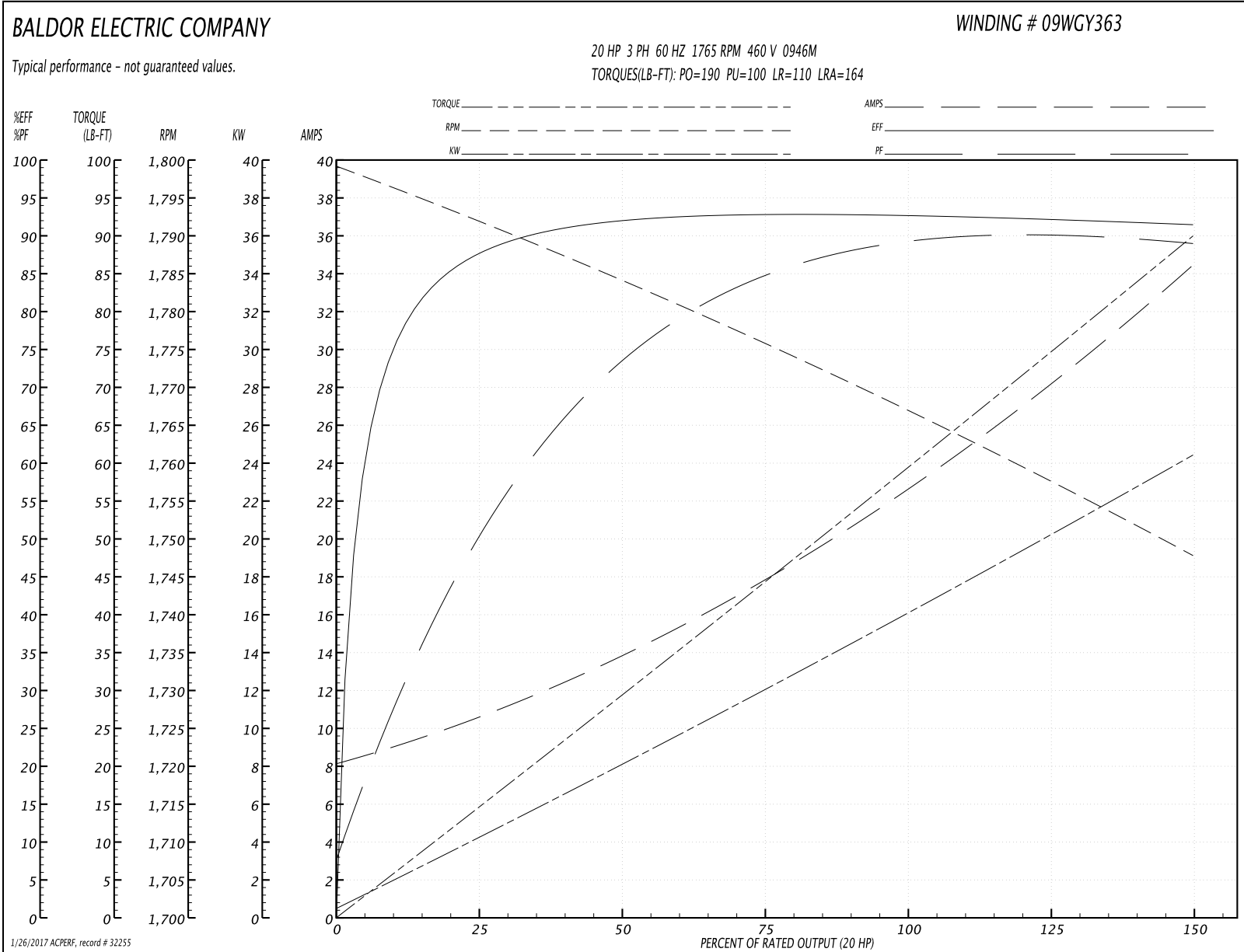
Winding: 09WGY363-R003	Type: 0946M	Enclosure: OPEN
-------------------------------	--------------------	------------------------

Nameplate Data				460 V, 60 Hz: High Voltage Connection	
Rated Output (HP)	20			Full Load Torque	60 LB-FT
Volts	230/460			Start Configuration	direct on line
Full Load Amps	48/24			Breakdown Torque	190 LB-FT
R.P.M.	1765			Pull-up Torque	100 LB-FT
Hz	60	Phase	3	Locked-rotor Torque	110 LB-FT
NEMA Design Code	A	KVA Code	H	Starting Current	164 A
Service Factor (S.F.)	1.15			No-load Current	8.5 A
NEMA Nom. Eff.	93	Power Factor	84	Line-line Res. @ 25°C	0.433 Ω
Rating - Duty	40C AMB-CONT			Temp. Rise @ Rated Load	46°C
S.F. Amps				Temp. Rise @ S.F. Load	56°C
				Locked-rotor Power Factor	33.6
				Rotor inertia	2.01 LB-FT ²

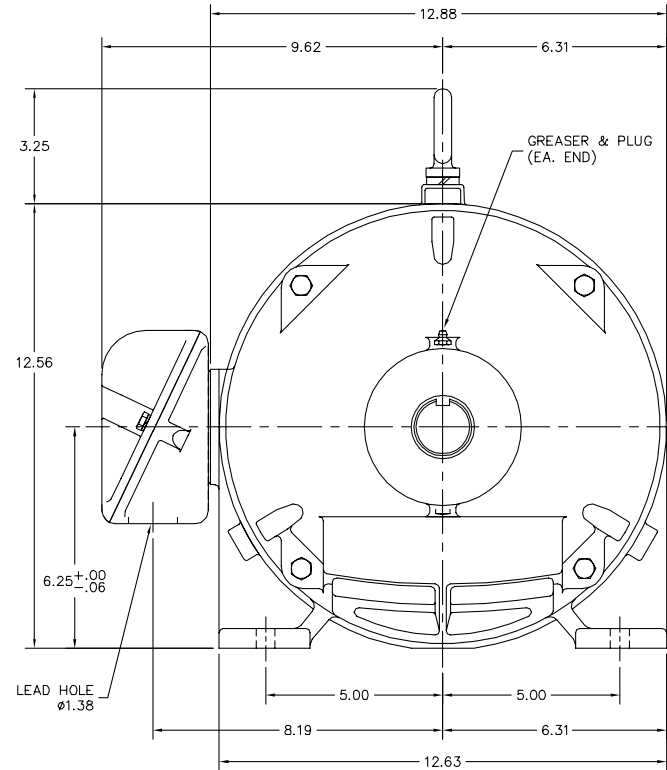
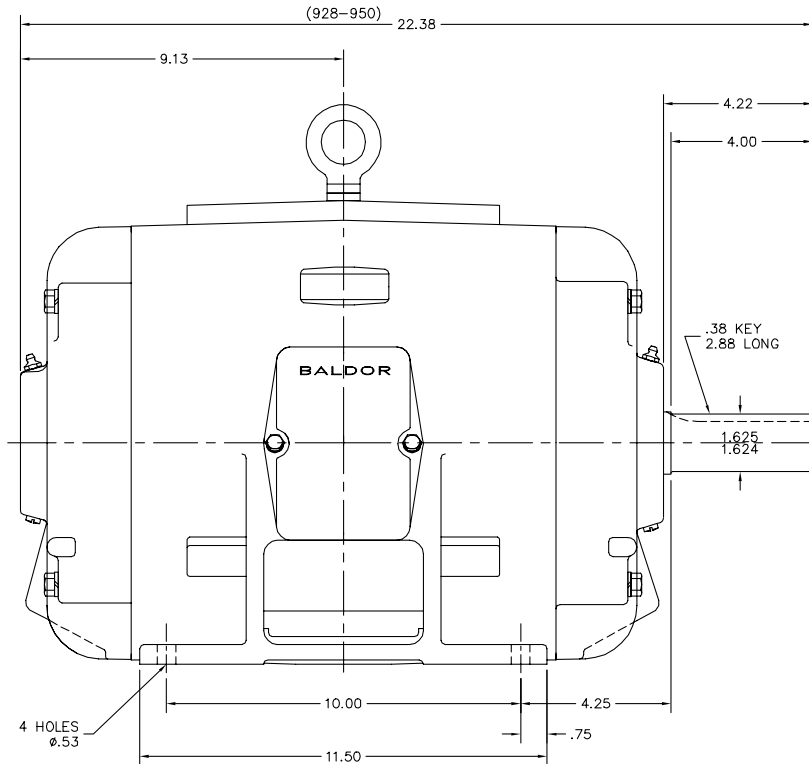
Load Characteristics 460 V, 60 Hz, 20 HP

% of Rated Load	25	50	75	100	125	150	S.F.
Power Factor	52	74	83	87	89	89	88
Efficiency	87.4	91.9	92.8	93	92.2	91.4	92.4
Speed	1792	1784	1775	1767	1757	1748	1761
Line amperes	10.2	13.7	18.2	23.1	28.5	34.2	26.2

Performance Graph at 460V, 60Hz, 20.0HP Typical performance - Not guaranteed values



09LYD001



09LYD001

CUSTOMER IS RESPONSIBLE FOR DETERMINING THAT BALDOR'S PRODUCT WILL PERFORM SUITABLY IN THE INTENDED APPLICATION.

REV. DESC: UPDATE DESCRIPTION		
REV. LTR: J	VERSION: 03	TDR: 000000855568
FILE: \AAA\00002\234	REVISED: 01:12:30 05/28/2014	BY: ENBRISO
MTL: -		

BALDOR
 HORZ OPEN 256T 309M
 SH 1 of 1

CD0005

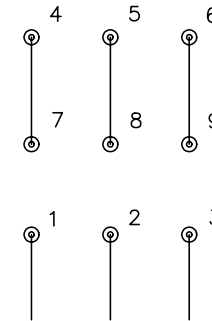


LOW VOLTAGE
(2Y)



LINE

HIGH VOLTAGE
(1Y)



LINE

NOTES:

1. INTERCHANGE ANY TWO LINE LEADS TO REVERSE ROTATION.
2. OPTIONAL THERMOSTATS ARE PROVIDED WHEN SPECIFIED.
3. ACTUAL NUMBER OF INTERNAL PARALLEL CIRCUITS MAY BE A MULTIPLE OF THOSE SHOWN ABOVE.
4. LEAD COLORS ARE OPTIONAL. LEADS MUST ALWAYS BE NUMBERED AS SHOWN.

REV. DESC: REVISE TO SHOW OPTIONAL COLORS			
REV. LTR: E	BY: JLP	REVISED: 01/19/99 10:15	TDR: 0171435
90000		FILE: AAA00005140	MDL: -
		MTL: -	

BALDOR ELECTRIC Co.

3PH, DV, 9 LEADS

CD0005

Marketing maintained PDF of MN416:

<http://www.baldor.com/support/Literature/Load.ashx/MN416?ManNumber=MN416>