

# **BALDOR**® • *RELIANCE*

## **Product Information Packet**

# **EM2547T-5**

**60HP, 1775RPM, 3PH, 60HZ, 364T, 4278M, OPSB, F1**

Part Detail							
Revision:	M	Status:	PRD/A	Change #:		Proprietary:	No
Type:	AC	Prod. Type:	4278M	Elec. Spec:	42WGW589	CD Diagram:	CD0006
Enclosure:	OPSB	Mfg Plant:		Mech. Spec:	42E211	Layout:	42LYE211
Frame:	364T	Mounting:	F1	Poles:	04	Created Date:	07-27-2009
Base:	RG	Rotation:	R	Insulation:	F	Eff. Date:	01-03-2017
Leads:	3#8					Replaced By:	
Literature:		Elec. Diagram:					

<b>Nameplate NP2138L</b>												
<b>CAT.NO.</b>	EM2547T-5			<b>P/N</b>				<b>ENCLOSURE</b>	OPSB			
<b>SPEC.</b>	42E211W589		<b>CC</b>	010A		<b>FRAME</b>	364T		<b>S/N</b>			
<b>HP</b>	60			<b>CLASS</b>	F		<b>HZ</b>	60				
<b>RPM</b>	1775			<b>PH</b>	3		<b>DES</b>	B				
<b>VOLT</b>	575			<b>KVA-CODE</b>	G			<b>ODE BRG</b>	6311		<b>DE BRG</b>	6313
<b>AMP</b>	56			<b>USABLE AT 208V</b>								
<b>RATING</b>	40C AMB-CONT			<b>GREASE</b>	POLYREX EM							
<b>NEMA-NOM-EFF</b>	95	<b>PF</b>	87	<b>SER.F.</b>	1.15							
<b>HTR-VOLTS</b>				<b>HTR-AMPS</b>				<b>MAX. SPACE HEATER TEMP.</b>				

Parts List		
Part Number	Description	Quantity
SA184449	SA 42E211W589	1.000 EA
RA172284	RA 42E211W589	1.000 EA
HA6360	LIFTING LUG FOR 42 FRAME MOTORS.	2.000 EA
HA6017	CAST ADAPTER, 40,42 KOBX	1.000 EA
19XW3118A12	.31-18 X .75 HEX WASHER HEAD TAPTITE II	2.000 EA
HW1001A31	LOCKWASHER 5/16, ZINC PLT.591 OD, .319 I	2.000 EA
10CB3002	CONDUIT BOX CAST W/3.625 LEAD HOLE	1.000 EA
19XW3118A12	.31-18 X .75 HEX WASHER HEAD TAPTITE II	4.000 EA
HW1001A31	LOCKWASHER 5/16, ZINC PLT.591 OD, .319 I	4.000 EA
WD1000B16	T&B CX70TN TERMINAL	1.000 EA
51XF2520A08	SCREW, HEX SER SLT HD, ZN 1/4-20 X .50 L	1.000 EA
42EP3200A01	FR ENDPLATE, MACH 324-6T	1.000 EA
HW5100A13	W4627-047 WVY WSHER	1.000 EA
42EP1202A01	STD PU ENDPLATE MODEL 42 313 BRG.	1.000 EA
10XN3816K44	3/8-16 X 2.75 HEX HD CAP SCREW, GRADE 5	4.000 EA
HW1001A38	LOCKWASHER 3/8, ZINC PLT .688 OD, .382 I	4.000 EA
XY5013A12	NUT,1/2-13,HEX,STEEL,ZINCPLATED	8.000 EA
10CB3500SP	CONDUIT BOX LID, CAST	1.000 EA
51XW2520A12	.25-20 X .75, TAPTITE II, HEX WSHR SLTD	4.000 EA
HW2501J36	KEY, 5/8 SQ X 4.250	1.000 EA
LB1115N	LABEL,LIFTING DEVICE (ON ROLLS)	1.000 EA
MN416A01	TAG-INSTAL-MAINT no wire (1000/bx) 11/14	1.000 EA
HA4051A00	PLASTIC CAP FOR GREASE FITTING	1.000 EA
HW4500A03	GREASE FITTING, .125 NPT 1610(ALEMITE) 8	1.000 EA

<b>Parts List (continued)</b>		
<b>Part Number</b>	<b>Description</b>	<b>Quantity</b>
HW4500A20	1/8NPT SL PIPE PLUG	1.000 EA
MJ1000A02	GREASE, POLYREX EM EXXON (USe 4824-15A)	0.030 LB
HA4051A00	PLASTIC CAP FOR GREASE FITTING	1.000 EA
HW4500A03	GREASE FITTING, .125 NPT 1610(ALEMITE) 8	1.000 EA
HW4500A20	1/8NPT SL PIPE PLUG	1.000 EA
MG1000Y03	MUNSELL 2.53Y 6.70/ 4.60, GLOSS 20,	0.080 GA
85XU0407S04	4X1/4 U DRIVE PIN STAINLESS	4.000 EA
42AD2001A01	BAFFLE PLATE 42 OPEN, SLOTTED BAND MTRS	1.000 EA
42AD2001A01	BAFFLE PLATE 42 OPEN, SLOTTED BAND MTRS	1.000 EA
HA3151A12	THRUBOLT STUD 1/2-13 X 23.00	4.000 EA
LB1119N	WARNING LABEL	1.000 EA
LC0006	CONNECTION LABEL	1.000 EA
NP2138L	ALUM SUPER-E UL CSA-EEV PREM CC (300	1.000 EA
42PA1000	PACKAGING GROUP PRINT PK1024A06	1.000 EA

<b>Accessories</b>		
<b>Part Number</b>	<b>Description</b>	<b>Multiplier</b>
42-1400	C FACE KIT	A8

**AC Induction Motor Performance Data**

Record # 13774 - Typical performance - not guaranteed values

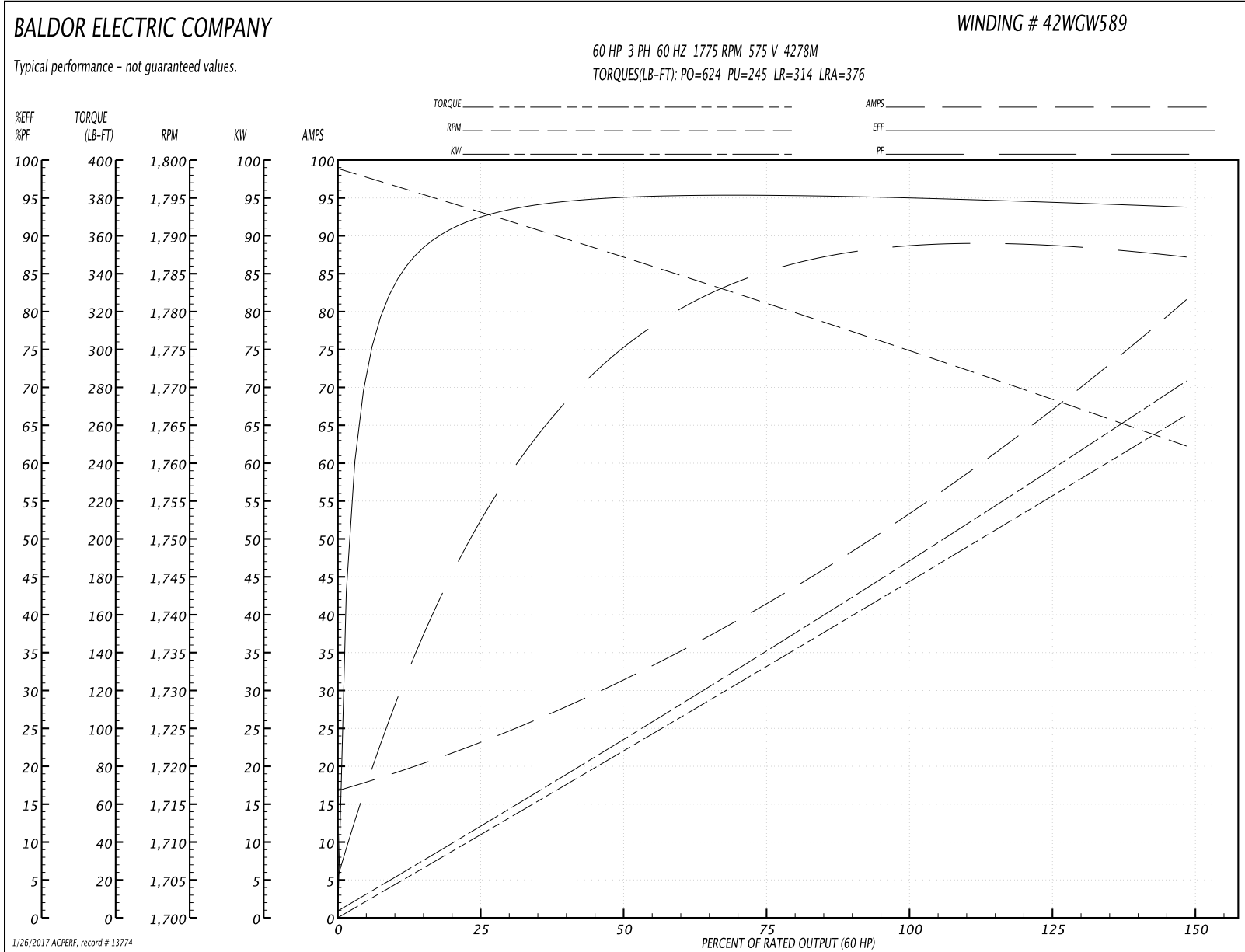
<b>Winding:</b> 42WGW589-R001	<b>Type:</b> 4278M	<b>Enclosure:</b> OPSB
-------------------------------	--------------------	------------------------

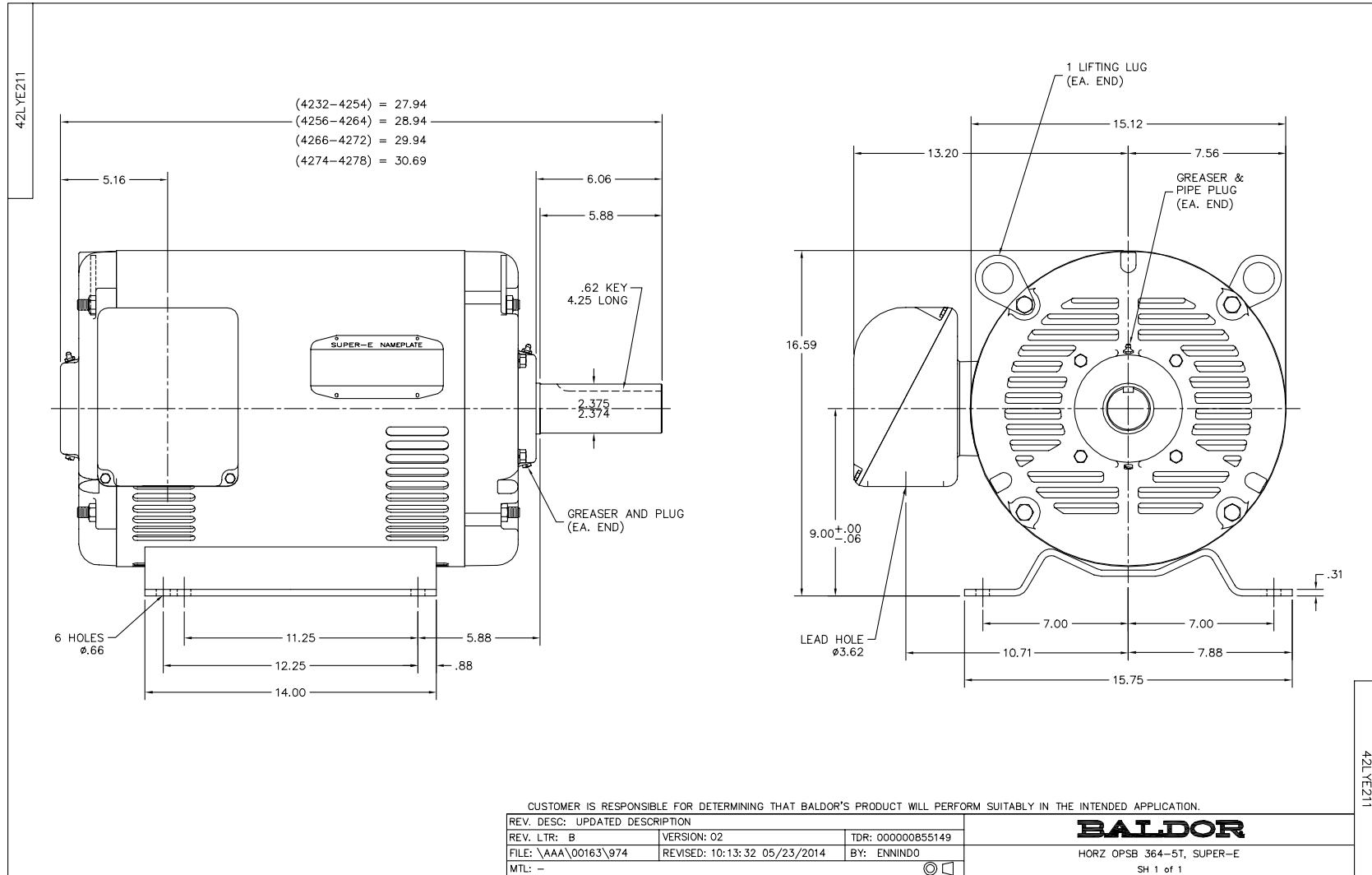
Nameplate Data				575 V, 60 Hz: Single Voltage Motor	
Rated Output (HP)	60			Full Load Torque	177 LB-FT
Volts	575			Start Configuration	direct on line
Full Load Amps	56			Breakdown Torque	624 LB-FT
R.P.M.	1775			Pull-up Torque	245 LB-FT
Hz	60	Phase	3	Locked-rotor Torque	314 LB-FT
NEMA Design Code	B	KVA Code	G	Starting Current	376 A
Service Factor (S.F.)	1.15			No-load Current	17.8 A
NEMA Nom. Eff.	95	Power Factor	87	Line-line Res. @ 25°C	0.131 Ω
Rating - Duty	40C AMB-CONT			Temp. Rise @ Rated Load	30°C
S.F. Amps				Temp. Rise @ S.F. Load	40°C
				Locked-rotor Power Factor	26
				Rotor inertia	10.4 LB-FT <sup>2</sup>

Load Characteristics 575 V, 60 Hz, 60 HP

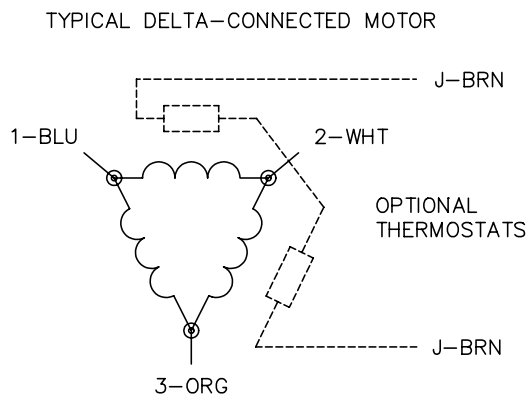
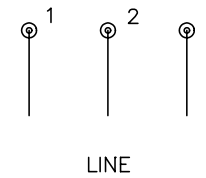
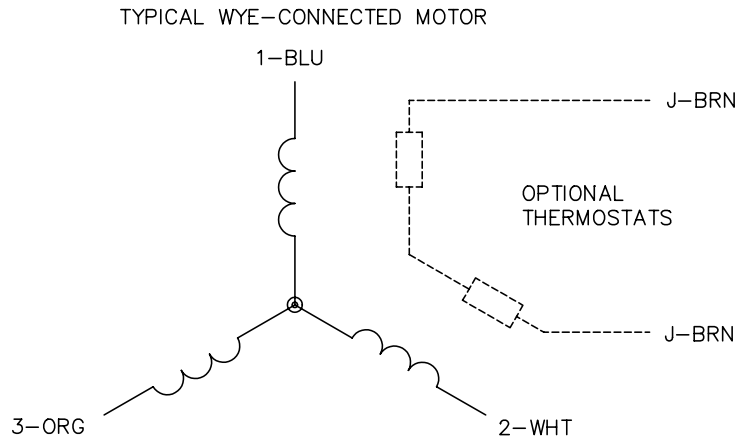
% of Rated Load	25	50	75	100	125	150	S.F.
Power Factor	56	77	85	87	89	89	88
Efficiency	92.6	94.9	95.3	95	94.6	93.7	94.8
Speed	1793	1787	1781	1775	1769	1762	1771
Line amperes	21.8	31	41.7	54.1	66.9	81	61.8

Performance Graph at 575V, 60Hz, 60.0HP Typical performance - Not guaranteed values





CD0006



NOTES:

1. THREE LEAD MOTOR MAY BE EITHER WYE CONNECTED OR DELTA CONNECTED.
2. INTERCHANGE ANY TWO LINE LEADS TO REVERSE ROTATION.
3. OPTIONAL THERMOSTATS ARE PROVIDED WHEN SPECIFIED.
4. ACTUAL NUMBER OF INTERNAL PARALLEL CIRCUITS MAY VARY.
5. LEAD COLORS ARE OPTIONAL. LEADS MUST BE NUMBERED AS SHOWN.

REV. DESC: REVISE TO SHOW OPTIONAL COLORS			
REV. LTR: D	BY: JLP	REVISED: 01/21/99 4:02	TDR: 0171435
9000D		FILE: AAA00005141	MDL: -
		MTL: -	

**BALDOR ELECTRIC Co.**

3PH, SV, 3 LEADS, WYE OR DELTA CONNECTED

CD0006

Marketing maintained PDF of MN416:

<http://www.baldor.com/support/Literature/Load.ashx/MN416?ManNumber=MN416>