

BALDOR® • ***RELIANCE***

Product Information Packet

EM2547T-CI

60HP,1780RPM,3PH,60HZ,364T,ODP,FOOT,

Part Detail							
Revision:	J	Status:	PRD/A	Change #:		Proprietary:	No
Type:	AC	Prod. Type:	A36050M	Elec. Spec:	A36WG0188	CD Diagram:	416820-002
Enclosure:	DP	Mfg Plant:		Mech. Spec:		Layout:	617428-116
Frame:	364T	Mounting:	F1	Poles:	04	Created Date:	11-18-2010
Base:		Rotation:	R	Insulation:	F	Eff. Date:	11-29-2016
Leads:	3#4,6#6					Replaced By:	
Literature:		Elec. Diagram:					

Nameplate NP2383L										
CAT.NO.	EM2547T-CI			SPEC NO.	P36G51					
HP	60	AMPS	139/69.5		VOLTS	230/460		DESIGN	B	
FRAME	364T	RPM	1780	HZ	60	AMB	40	SF	1.15	
DRIVE END BEARING	65BC03J30X			PHASE	3	DUTY	CONT		INSUL.CLASS	F
OPP D.E. BEARING	65BC03J30X			TYPE	P	ENCL	DP	CODE	G	
SER.NO.				POWER FACTOR	85.5		NEMA-NOM-EFFICIENCY	95		
NEMA NOM/CSA QUOTED EFF				MAX CORR KVAR	12.5		GUARANTEED EFFICIENCY	94.5		
				MOTOR WEIGHT	745					

Parts List		
Part Number	Description	Quantity
SA211816	SA P36G51	1.000 EA
RA199045	RA P36G51	1.000 EA
000613006PU	N/P (RELEASE QTY 10,000) UL CSA LABLE	1.000 EA
000692000VD	LABEL WARNING	1.000 EA
NP2383L	SUPER-E ,SS, CC, CSA-C US, CSA EEV	1.000 EA
004824015A	GREASE POLYREX EM	1.000 LB
032018010CK	HHCS 3/8-16X1-1/4 PLTD.	4.000 EA
421948032	LABEL, MYLAR	1.000 EA
032018024CK	HHCS 3/8-16X3 PLTD.	3.000 EA
032018024CK	HHCS 3/8-16X3 PLTD.	3.000 EA
032018028DK	HHCS 1/2-13X3-1/2 PLTD.	4.000 EA
032018028DK	HHCS 1/2-13X3-1/2 PLTD.	4.000 EA
032376004JB	RHMS 10-32X1/2PLTD-360	3.000 EA
032376004JB	RHMS 10-32X1/2PLTD-360	3.000 EA
033512006LB	HHTTS 1/4-20X3/4 PLTD.	4.000 EA
033775004EA	DRSCR #6-1/4 304 S.S.	2.000 EA
034001009AB	WSHR #10 PLATED-360	3.000 EA
034001009AB	WSHR #10 PLATED-360	3.000 EA
034017009AB	LCKW NO.10 PLATED-360	3.000 EA
034017009AB	LCKW NO.10 PLATED-360	3.000 EA
034180034HA	KEY 5/8X5/8X4-1/4 L	1.000 EA
035000001A	ALFTG 1/8" 1610-BL	1.000 EA
035000001A	ALFTG 1/8" 1610-BL	1.000 EA
034690002AB	"unbulked" PPLG 1/4" PLTD.	1.000 EA

Parts List (continued)		
Part Number	Description	Quantity
034690002AB	"unbulked" PPLG 1/4" PLTD.	1.000 EA
048897010DG	PLUG,ODE BRKT - 360	1.000 EA
065776000C	TERBD 320-400	1.000 EA
067053000B	GASK 320-400	1.000 EA
076708000BB	C/B - 360	1.000 EA
076709000A	C/B - 360	1.000 EA
078556001A	BAFFL 360 SUB PAINT	1.000 EA
078556001A	BAFFL 360 SUB PAINT	1.000 EA
085920052A	BRKT 360 085920051WCC KB	1.000 EA
085920052A	BRKT 360 085920051WCC KB	1.000 EA
410700004F	WSHR	1.000 EA
415000103H	TERMINAL LUG	1.000 EA
14PA1000	PACKAGING 314 GROUP COMBINED PRINT	1.000 EA
MG1000Y03	MUNSELL 2.53Y 6.70/ 4.60, GLOSS 20,	1.000 GA
032018005DL	1/2-13 X 5/8 SILICON BRONZE HHCS	1.000 EA

REL. S.O.	FRAME	HP	TYPE	PHASE/HERTZ	RPM	VOLTS
	364T	60	P	3/60	1780	230/460
AMPS	DUTY	AMB °C/ INSUL.	S.F.	NEMA DESIGN	CODE LETTER	ENCL.
139/69.5	CONT	40/F	1.15	B	G	DP
E/S	ROTOR	TEST S.O.	TEST DATE	STATOR RES. @25 °C (BETWEEN LINES)		
591772	418141-34-XE	---	---	.0278/.111		

PERFORMANCE

LOAD	HP	AMPERES	RPM	POWER FACTOR %	EFFICIENCY %
NO LOAD	0	24.5	1800	3.86	0
1/4	15.0	29.5	1796	51.3	92.9
2/4	30.0	40.3	1791	73.2	95.1
3/4	45.0	54.0	1786	81.7	95.3
4/4	60.0	69.5	1781	85.1	95.0
5/4	75.0	86.4	1775	86.2	94.3

SPEED TORQUE

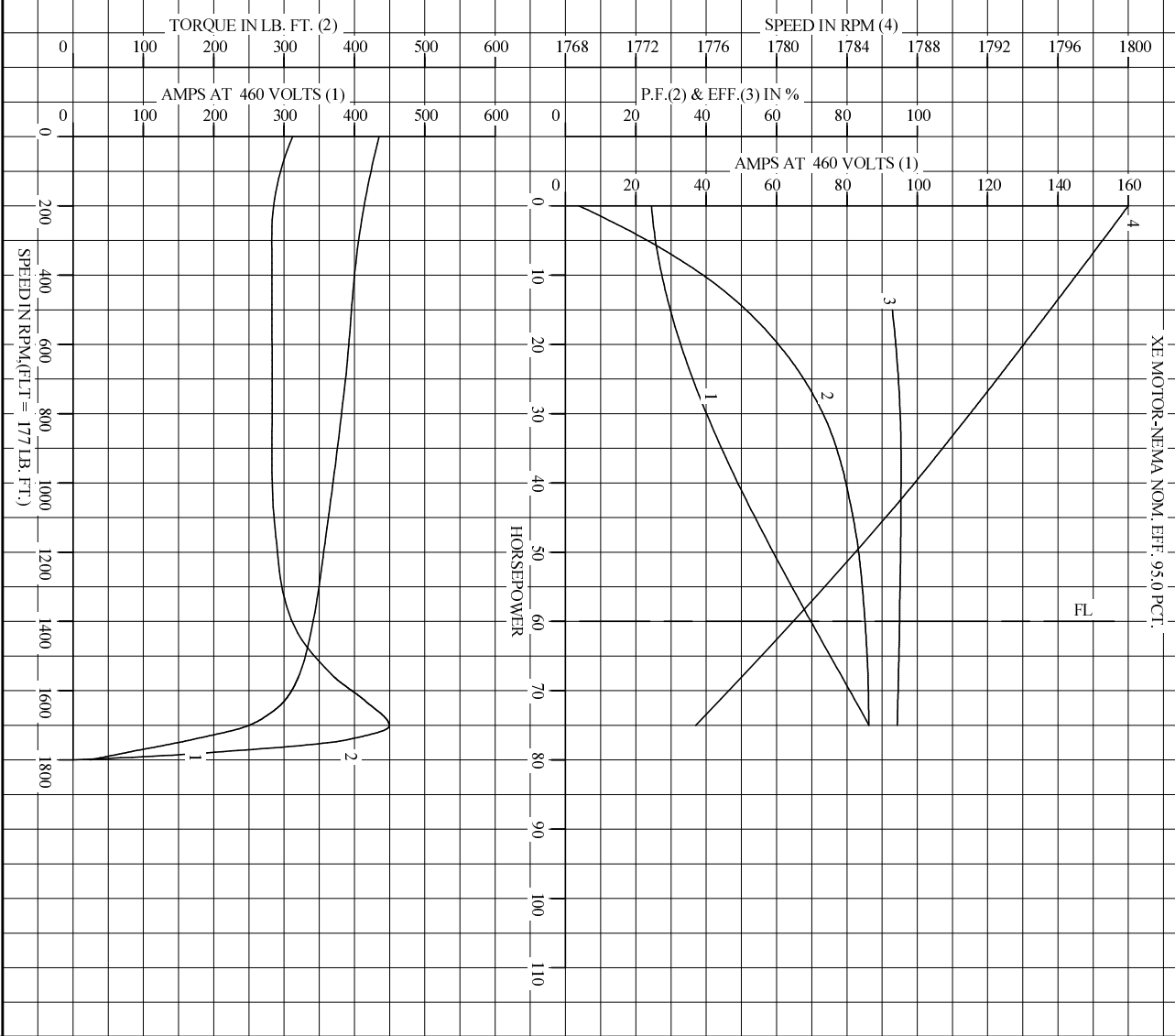
	RPM	TORQUE % FULL LOAD	TORQUE LB.-FT.	AMPERES
LOCKED ROTOR	0	176	312	435
PULL UP	285	160	282	407
BREAKDOWN	1702	254	450	248
FULL LOAD	1781	100	177	69.5

AMPERES SHOWN FOR 460. VOLT CONNECTION. IF OTHER VOLTAGE CONNECTIONS ARE AVAILABLE, THE AMPERES WILL VARY INVERSELY WITH THE RATED VOLTAGE

REMARKS: TYPICAL DATA
XE MOTOR-NEMA NOM. EFF. 95.0 PCT.

BALDOR	DR. BY P.B. GREENE	A-C MOTOR
	CK. BY D.M. BYRD	
	APP. BY D.M. BYRD	
DATE 09/21/89	PERFORMANCE DATA	A36WG0188-R003
		ISSUE DATE 12/14/10

REL S.O. _____ RPM 1780 S.F. 1.15 ROTOR 418141-34-XE
 FRAME 364T VOLTS 230/460 NEMA DESIGN B TEST S.O. TYPICAL DATA
 HP 60 AMPS 139/69.5 CODE LETTER G TEST DATE ---
 TYPE P DUTY CONT ENCLOSURE DP STATOR RES. @ 25 °C .0278/.111
 PHASE/HERTZ 3/60 AMB °C/INSUL 40/F E/S 591772 OHMS (BETWEEN LINES)



AMPERES SHOWN FOR 460 VOLT CONNECTION, IF OTHER VOLTAGE CONNECTIONS ARE AVAILABLE, THE AMPERES WILL VARY INVERSELY WITH THE RATED VOLTAGE.

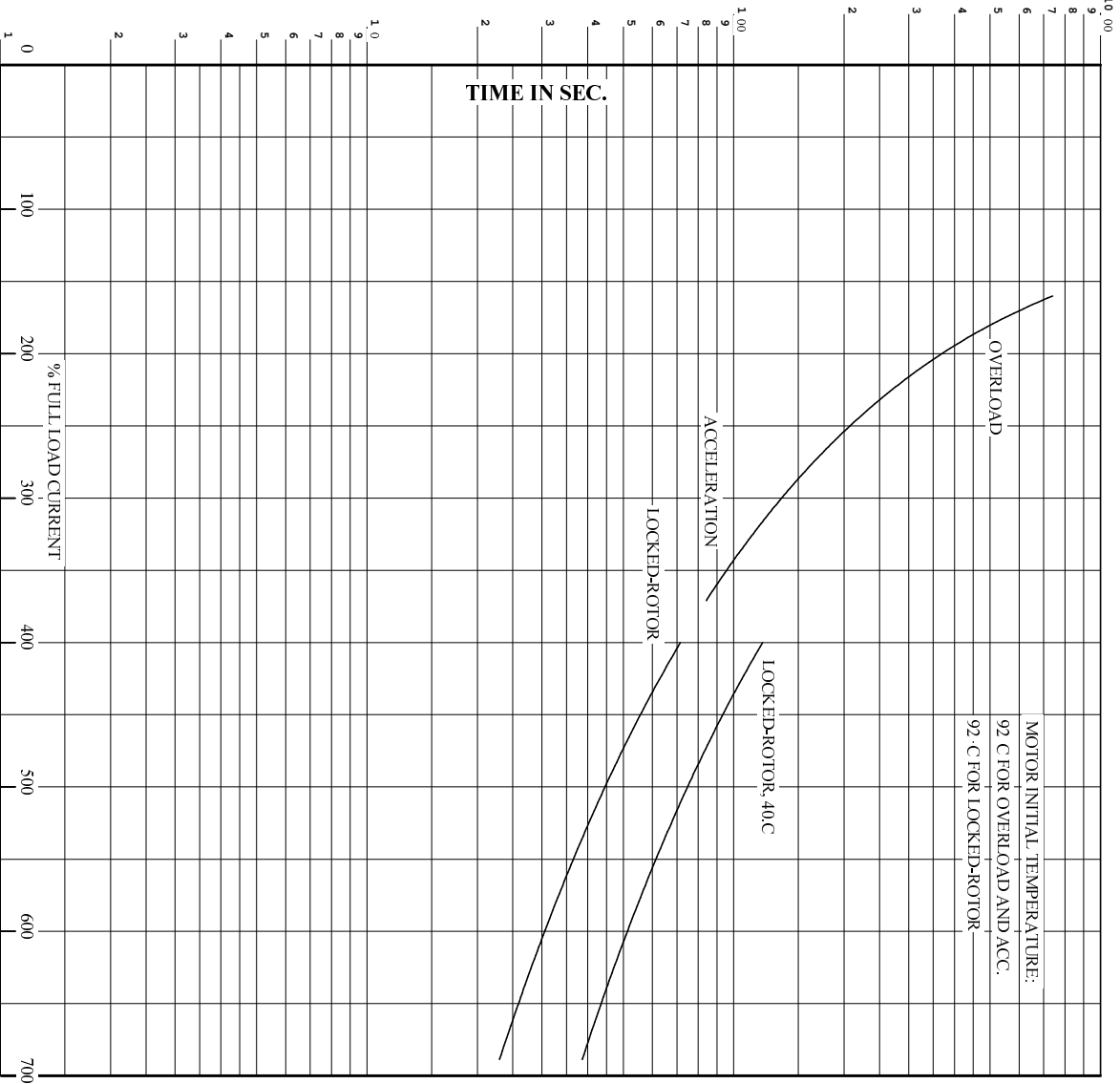
BALDOR

DR. BY P.B. GREENE
 CK. BY D.M. BYRD
 App. BY D.M. BYRD
 DATE 09/21/89

A-C MOTOR PERFORMANCE CURVES A36WG0188-R003
 ISSUE DATE 12/14/10

Printed on 12/14/10 10:45 @ psecs-motorengr

REL. S.O. RPM 1780 S.F. 1.15 ROTOR 418141-34-XE
 FRAME 364T VOLTS 230/460 NEMA DESIGN B TEST S.O. TYPICAL DATA
 HP 60 AMPS 139/59.5 CODE LETTER G TEST DATE ---
 TYPE P DUTY CONT ENCLOSURE DP STATOR RES. @ 25 °C .0278/.111
 PHASE/HERTZ 3/60 AMB °C/INSUL 40/F E/S 591772 OHMS (BETWEEN LINES)



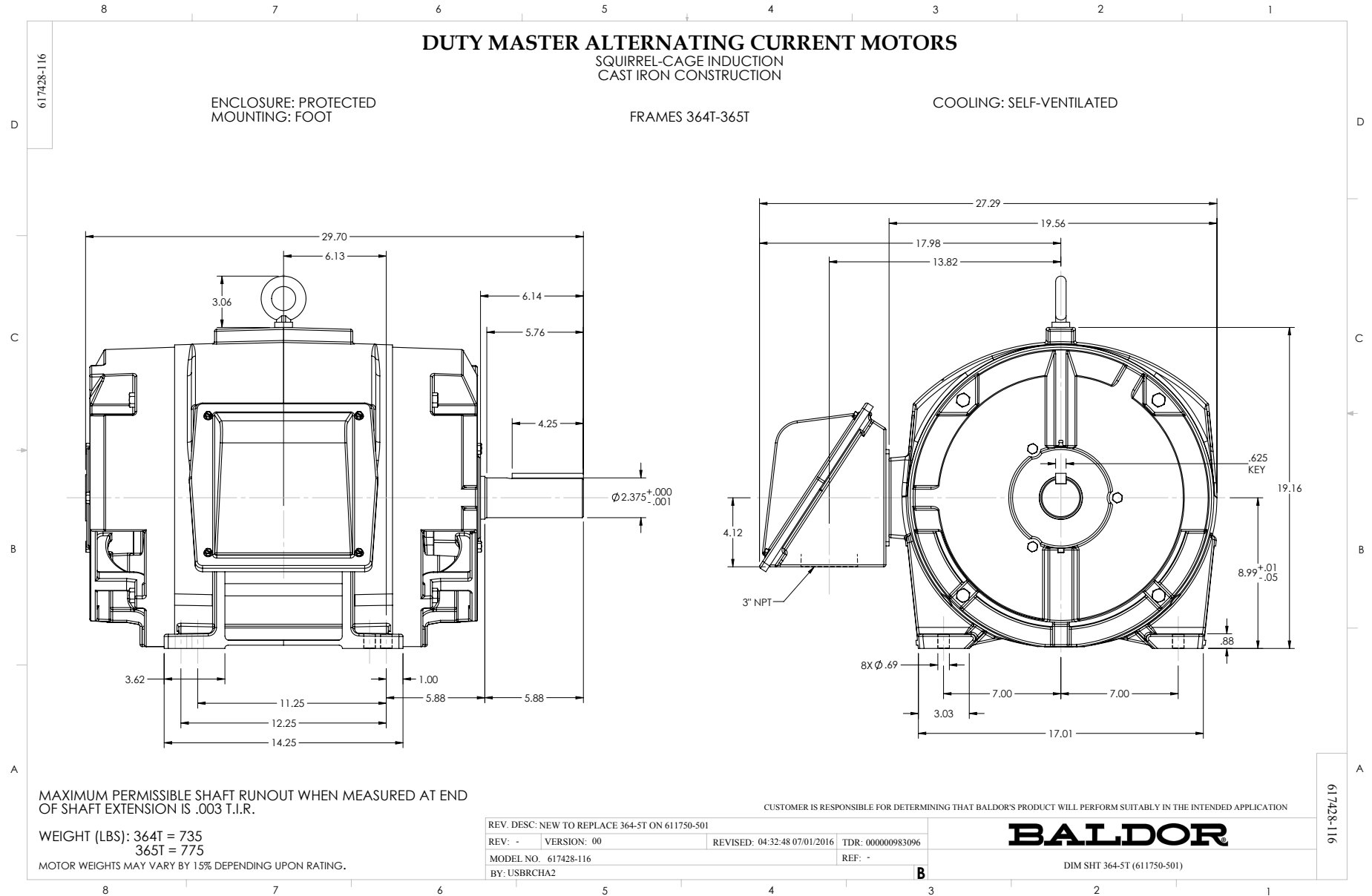
REMARKS: THERMAL LIMIT CURVE
 XE MOTOR-NEMA NOM. EFF. 95.0 PCT.

AMPERES SHOWN FOR 400 VOLT CONNECTION, IF OTHER VOLTAGE CONNECTIONS ARE AVAILABLE, THE AMPERES WILL VARY INVERSELY WITH THE RATED VOLTAGE.



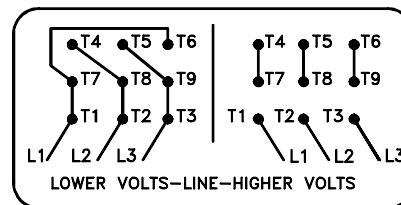
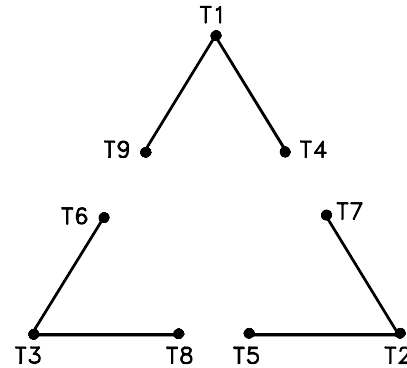
DR. BY P.B. GREENE
 CK. BY D.M. BYRD
 App. BY D.M. BYRD
 DATE 09/21/89

A-C MOTOR
PERFORMANCE
CURVES
 A36WG0188-R003
 ISSUE DATE 12/14/10



416820-002

A-C MOTOR
 CONNECTION DIAGRAM
 STANDARD 9 LEAD DELTA-CONNECTED



(N.P. 1575-B)

416820-002

REV. DESC: LOADED TO BUS, C/R 335225		
REV. LTR: -	VERSION: 00	TDR: 000000538207
FILE: \MGA\00000\661	REVISED: 10: 47: 51 04/30/2010	
MTL: -	BY: RAGRA	

BALDOR

CONN DIAG - STANDARD 9 LEAD, DELTA-CONNECTED

SH 1 of 1