

BALDOR® • ***RELIANCE***

Product Information Packet

EM2558T-5

150HP,1785RPM,3PH,60HZ,444T,A44062M,ODP

Part Detail							
Revision:	H	Status:	PRD/A	Change #:		Proprietary:	No
Type:	AC	Prod. Type:	A44062M	Elec. Spec:	A44WG3532	CD Diagram:	416820-036
Enclosure:	DP	Mfg Plant:		Mech. Spec:		Layout:	611750-501
Frame:	444T	Mounting:	F1	Poles:	04	Created Date:	12-17-2010
Base:		Rotation:	R	Insulation:	F	Eff. Date:	09-26-2016
Leads:	3#1					Replaced By:	
Literature:		Elec. Diagram:					

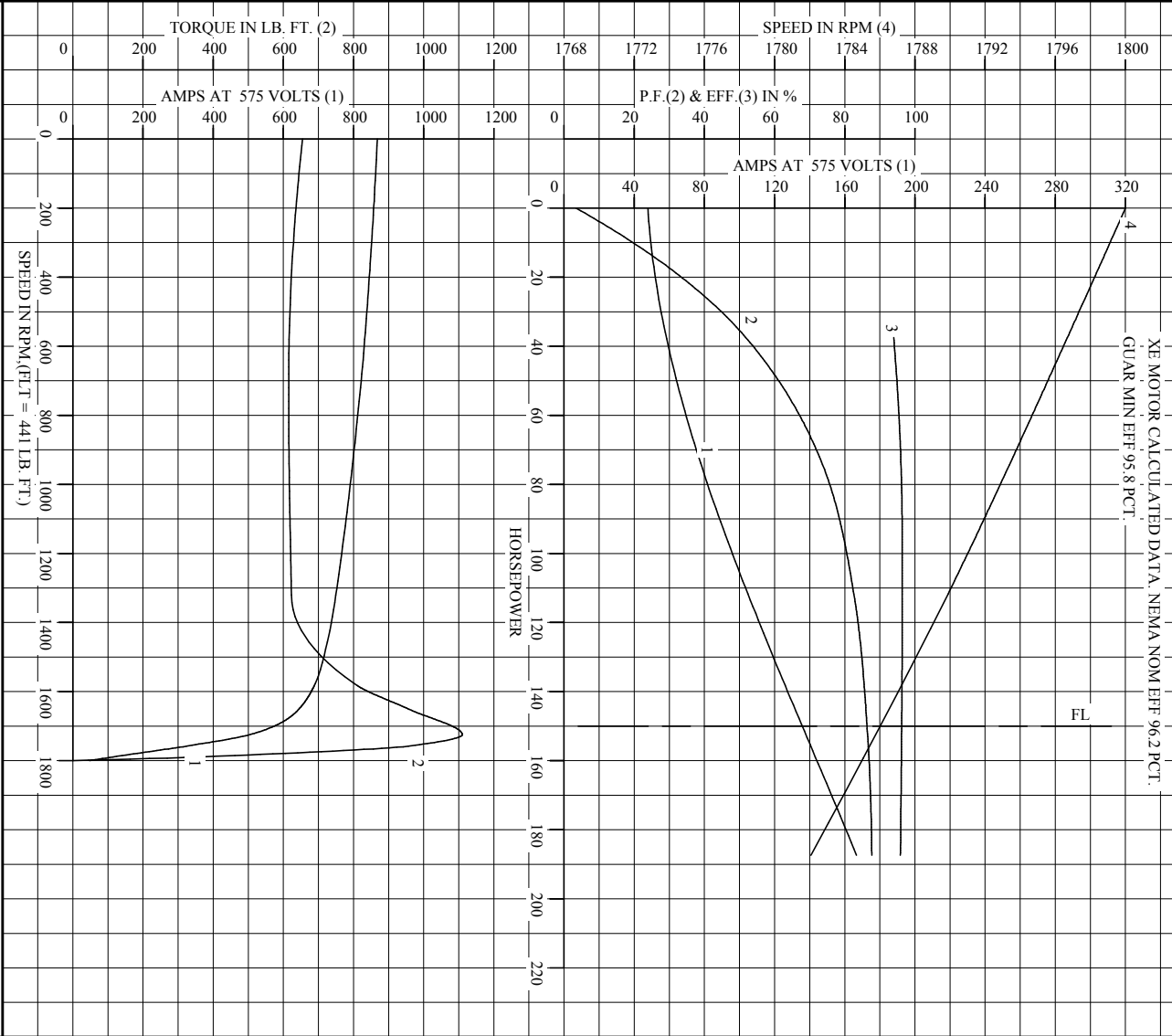
Nameplate NP2377L									
CAT.NO.	EM2558T-5	SPEC NO.	P44G1798						
HP	150	AMPS	136	VOLTS	575	DESIGN	B		
FRAME	444T	RPM	1785	HZ	60	AMB	40	SF	1.15
DRIVE END BEARING	90BC03J30X	PHASE	3	DUTY	CONT	INSUL.CLASS	F		
OPP D.E. BEARING	90BC03J30X	TYPE	P	ENCL	DP	CODE	G		
SER.NO.		POWER FACTOR	86	NEMA-NOM-EFFICIENCY	96.2				
		MAX CORR KVAR	30.0	GUARANTEED EFFICIENCY	95.8				
		NEMA NOM/CSA QUOTED EFF							
		MOTOR WEIGHT	1535						

Parts List		
Part Number	Description	Quantity
SA213570	SA P44G1798	1.000 EA
RA200790	RA P44G1798	1.000 EA
421948051	LABEL, MYLAR	1.000 EA
000613006PU	N/P (RELEASE QTY 10,000) UL CSA LABEL	1.000 EA
000692000VD	LABEL WARNING	1.000 EA
NP2377L	SS SUPER-E CC CSA-C US CSA-EEV (LASER)	1.000 EA
702611001A	BAFFL 440 SUB PAINT	1.000 EA
089439051A	BRKT 440 089439051WCB	1.000 EA
004824015A	GREASE POLYREX EM	1.160 LB
032018028EK	HHCS 5/8-11X3-1/2L PLTD	4.000 EA
032018036DK	HHCS 1/2-13X4-1/2 PLTD.	3.000 EA
410700004A	WSHR	1.000 EA
035000001G	GREASE RELIEF FITTING, ALEMITE 317400	1.000 EA
034017012AB	LCKW 1/4 STD. PLATED	4.000 EA
032018005AK	HHCS 1/4-20X5/8 PLATED	4.000 EA
032018005AK	HHCS 1/4-20X5/8 PLATED	4.000 EA
034000012AB	WSHR 1/4 STD. PLATED	4.000 EA
034600001AA	BUSH 1/4TO1/8 BLACK	1.000 EA
034017012AB	LCKW 1/4 STD. PLATED	4.000 EA
034600001AA	BUSH 1/4TO1/8 BLACK	1.000 EA
034000012AB	WSHR 1/4 STD. PLATED	4.000 EA
032018005AK	HHCS 1/4-20X5/8 PLATED	4.000 EA
089439051A	BRKT 440 089439051WCB	1.000 EA
702611001A	BAFFL 440 SUB PAINT	1.000 EA

Parts List (continued)		
Part Number	Description	Quantity
032018005AK	HHCS 1/4-20X5/8 PLATED	4.000 EA
032018028EK	HHCS 5/8-11X3-1/2L PLTD	4.000 EA
032018036DK	HHCS 1/2-13X4-1/2 PLTD.	3.000 EA
415045002A	SLGR	1.000 EA
035000001G	GREASE RELIEF FITTING, ALEMITE 317400	1.000 EA
076863000C	+CBCST BLKT - 440	1.000 EA
406056007A	GASKET, 440	1.000 EA
076864000A	CB CVRCST BLKT - 440	1.000 EA
067053001C	GASK 440	1.000 EA
418150003A	GREASE FITTING CAP	1.000 EA
MG1000Y03	MUNSELL 2.53Y 6.70/ 4.60, GLOSS 20,	0.250 GA
033775004EA	DRSCR #6-1/4 304 S.S.	2.000 EA
032018008BK	HHCS 5/16-18X1L PLATED	4.000 EA
032018008DK	HHCS 1/2-13X1 PLATED	4.000 EA
048897010DJ	BUSH - 445	1.000 EA
035000001A	ALFTG 1/8" 1610-BL	1.000 EA
415000103D	T/LUG #4AWG-1/0AWG W/HOLE FOR .250 BOLT	1.000 EA
033512006LB	HHTTS 1/4-20X3/4 PLTD.	1.000 EA
035000001A	ALFTG 1/8" 1610-BL	1.000 EA
418150003A	GREASE FITTING CAP	1.000 EA
034180054KA	KEY 7/8X7/8X6-3/4 L	1.000 EA
PK5004A09	BASE 48 X 39-1/4 STACK 2 X 4 RUUNER	1.000 EA

Accessories		
Part Number	Description	Multiplier
089439052B	C-FACE BRKT 440 089439052WCA	P1
089439053B	D-FLANGE BRKT 440 089439053WCA	P1

REL. S.O. _____ RPM 1785 S.F. 1.15 ROTOR 418143-040-PE
 FRAME 444T VOLTS 575 NEMA DESIGN B TEST S.O. ---
 HP 150 AMPS 135 CODE LETTER G TEST DATE ---
 TYPE P DUTY CONT ENCLOSURE PRXE STATOR RES. @ 25 °C .0498
 PHASE/HERTZ 3/60 AMB °C/INSUL 40/F E/S 497797 OHMS (BETWEEN LINES)



BALDOR
 A MEMBER OF THE ABB GROUP

DR. BY J.F. ISAO
 CK. BY W.L. SMITH
 App. BY W.L. SMITH
 DATE 04/18/12

A-C MOTOR
PERFORMANCE
CURVES

A44W/G3532-R001
 ISSUE DATE 04/18/12


Printed on 4/18/12 8:10 @ ragsun

REL. S.O.	FRAME	HP	TYPE	PHASE/HERTZ	RPM	VOLTS
	444T	150	P	3/60	1785	575
AMPS	DUTY	AMB °C/ INSUL.	S.F.	NEMA DESIGN	CODE LETTER	ENCL.
135	CONT	40/F	1.15	B	G	PRXXE
E/S	ROTOR	TEST S.O.	TEST DATE	STATOR RES. @25 °C OHMS (BETWEEN LINES)		
497797	418143-040-PE	---	---	.0498		

PERFORMANCE						
LOAD	HP	AMPERES	RPM	POWER FACTOR %	EFFICIENCY %	
NO LOAD	0	47.9	1800	3.40	0	
1/4	37.5	57.7	1797	51.9	94.0	
2/4	75.0	79.1	1793	73.9	96.1	
3/4	112	106	1790	82.7	96.4	
4/4	150	135	1786	86.3	96.2	
5/4	187	167	1782	87.7	95.9	
SPEED TORQUE						
	RPM	TORQUE % FULL LOAD	TORQUE LB.-FT.	AMPERES		
LOCKED ROTOR	0	148	655	868		
PULL UP	720	139	615	820		
BREAKDOWN	1725	252	1110	504		
FULL LOAD	1786	100	441	135		

AMPERES SHOWN FOR 575. VOLT CONNECTION. IF OTHER VOLTAGE CONNECTIONS ARE AVAILABLE, THE AMPERES WILL VARY INVERSELY WITH THE RATED VOLTAGE

REMARKS: XE MOTOR CALCULATED DATA. NEMA NOM EFF 96.2 PCT.
GUAR MIN EFF 95.8 PCT.

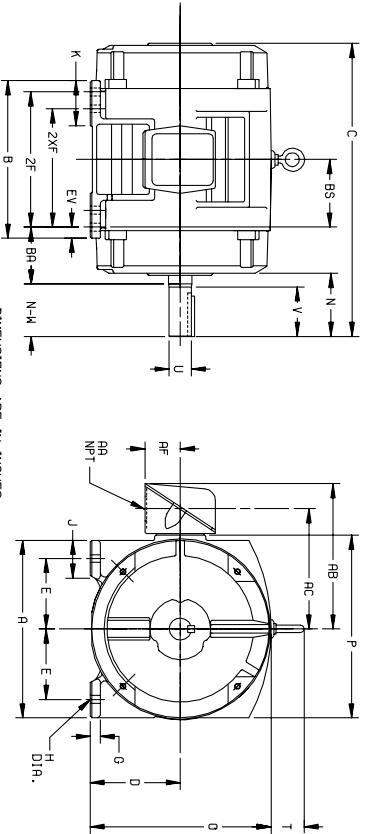
 A MEMBER OF THE ABB GROUP	DR. BY J. P. TSAO CK. BY W. L. SMITH APP. BY W. L. SMITH DATE 04/18/12	A-C MOTOR PERFORMANCE DATA A44WG3532-R001 ISSUE DATE 04/18/12
--	---	--

611750-501

DUTY MASTER ALTERNATING CURRENT MOTORS

SQUIREL-CAGE INDUCTION
CAST IRON CONSTRUCTION

ENCLOSURE: PROTECTED
MOUNTING: FOOT
FRAMES 250T THRU 440T
COOLING: SELF-VENTILATED



DIMENSIONS ARE IN INCHES

FRAME	A	DIG2	E	G	H	J	K	D	P	T	CAST IRON TERMINAL BOX					EV
254T-256T	12.50	6.25	5.00	6.9	5.6	2.25	3.50	12.61	12.69	2.44	1-1/4	10.25	8.25	2.50	4.25	6.2
284T-286T	14.00	7.00	5.50	7.5	5.6	2.75	3.75	14.12	14.31	2.44	1-1/2	12.06	9.62	3.19	4.75	1.00
324T-326T	15.75	8.00	6.25	8.8	6.9	3.12	4.00	16.10	16.42	2.44	2	14.75	11.00	3.62	5.25	1.00
364T-366T	17.00	9.00	7.00	9.8	6.9	3.00	3.62	18.30	19.56	2.94	3	18.00	13.81	4.12	5.88	1.00
404T-406T	19.00	10.00	8.00	11.2	8.1	3.25	4.75	20.56	21.81	2.94	3	19.00	14.81	3.12	6.62	1.12
444T-446T	21.00	11.00	9.00	12.8	8.1	3.25	5.25	22.91	23.62	3.25	3	21.44	16.69	5.00	7.50	1.25

FRAME	SIZE	C	BS	B	ZF	2XF	N	SHAFT AND KEY			WEIGHT LBS. (3)	
								N-W(6)	U(3)	V		S.O.
254T	22.44	5.00	11.25	---	8.25	4.25	4.00	1.625	3.75	3.75	2.75	26.5
256T	22.44	5.00	11.25	---	8.25	4.00	4.00	1.625	3.75	3.75	2.75	27.5
284T	24.94	5.50	13.00	---	9.50	4.88	4.62	1.875	4.38	5.00	3.25	34.0
284T	23.96	5.50	13.00	---	9.50	3.50	3.25	1.625	3.00	3.75	1.88	34.0
286T	24.94	5.50	13.00	---	9.50	4.62	4.62	1.875	4.38	5.00	3.25	37.0
286T	23.96	5.50	13.00	---	9.50	3.25	3.25	1.625	3.00	3.75	1.88	37.0
324T	27.96	6.00	14.00	---	10.50	5.50	5.25	2.185	5.00	5.00	3.75	48.0
324T	26.96	6.00	14.00	---	10.50	4.00	3.75	1.875	3.50	5.00	2.00	48.0
326T	27.96	6.00	14.00	---	10.50	5.25	5.25	2.185	5.00	5.00	3.75	52.0
326T	26.96	6.00	14.00	---	10.50	4.00	3.75	1.875	3.50	5.00	2.00	52.0
364T	29.70	6.12	14.25	---	11.25	6.12	5.88	2.375	5.62	6.25	4.25	73.5
364T	27.98	6.12	14.25	---	11.25	4.00	3.75	1.875	3.50	5.00	2.00	73.0
365T	29.70	6.12	14.25	---	11.25	5.88	5.88	2.375	5.62	6.25	4.25	77.5
365T	27.98	6.12	14.25	---	11.25	4.00	3.75	1.875	3.50	5.00	2.00	77.0
404T	34.00	6.88	16.00	---	12.25	7.62	7.25	2.875	7.00	7.50	5.00	104.5
404T	31.00	6.88	16.00	---	12.25	4.62	4.25	2.185	4.00	5.00	2.75	104.0
405T	34.00	6.88	16.00	---	12.25	7.62	7.25	2.875	7.00	7.50	5.50	108.5
405T	31.00	6.88	16.00	---	12.25	4.62	4.25	2.185	4.00	5.00	2.75	108.0
444T	39.56	8.25	19.00	---	14.50	8.94	8.50	3.375	8.25	8.75	6.88	179.5
444T	35.81	8.25	19.00	---	14.50	5.19	4.75	2.375	4.50	6.25	3.00	179.0
445T	39.56	8.25	19.00	---	14.50	8.94	8.50	3.375	8.25	8.75	6.88	177.0
445T	35.81	8.25	19.00	---	14.50	5.19	4.75	2.375	4.50	6.25	3.00	177.0

- (1) SPECIAL DIMENSIONS APPLYING TO THIS ORDER ON THIS LINE.
- (2) 'P' VARIES -250T - 320T +.00, -0.3
- (3) 'U' VARIES +.000, -0.01
- (4) ALL FRAMES HAVE EIGHT MOUNTING HOLES FOR DUAL MOUNTING.
- (5) MOTOR WEIGHTS MAY VARY BY 1% DEPENDING UPON RATING.
- (6) 'N'-W' VARIES +.00, -.25.

CONDUIT BOX LOCATED ON OPPOSITE SIDE WHEN F-2W-1, V-4-W-5-W-7, DR C-1 MOUNTING IS SPECIFIED.
IF MOUNTING CLEARANCE DETAILS ARE REQUIRED, CONSULT FACTORY.
MAXIMUM PERMISSIBLE SHAFT RUNOUT WHEN MEASURED AT END OF SHD. SHAFT EXTENSION IS .002 TIR UP TO AND INCLUDING 1.625 DIA. AND .003 TIR ABOVE 1.625 TO 3 INCH DIA.

FRAME- _____ TYPE- _____ CERTIFIED FOR- _____
 ORDER- _____ ITEM- _____ HP- _____ RPM- _____ PH- _____ HZ _____ VOLTS _____
 SALES ORDER- _____ APPROVED BY- _____ DATE _____
 105-057119

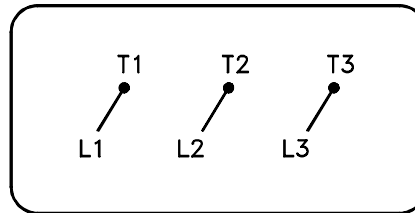
CUSTOMER IS RESPONSIBLE FOR DETERMINING THAT BALDOR'S PRODUCT WILL PERFORM SUITABLY IN THE INTENDED APPLICATION.

REV. DESC: LOADED TO BUS	VERSION: 01	TDR: 000000546464
REV. LTR: A	REVISED: 03:18:49 06/22/2010	BY: RAGHZT
FILE: \RAG\00009\279		
MTL: -		

BALDOR
 DIM SHT-250T-440T
 SH 1 of 1

416820-036

A-C MOTOR
 CONNECTION DIAGRAM
 STANDARD 3 LEAD CONNECTED



(N.P. 1575-BA)

416820-036

REV. DESC: LOADED TO BUS, C/R 335225		
REV. LTR: -	VERSION: 00	TDR: 000000538207
FILE: \MGA\00000\682	REVISED: 11:54:06 04/30/2010	
MTL: -	BY: RAGRA	

BALDOR

CONN DIAG - STANDARD 3 LEAD
 SH 1 of 1