

BALDOR® • **RELIANCE**

Product Information Packet

EM4109T-5

40HP,3530RPM,3PH,60HZ,324TS,1240M,TEFC,F

| Part Detail | | | | | | | |
|-------------|-------|----------------|-------|-------------|----------|---------------|------------|
| Revision: | H | Status: | PRD/A | Change #: | | Proprietary: | No |
| Type: | AC | Prod. Type: | 1240M | Elec. Spec: | 12WGY367 | CD Diagram: | CD0006 |
| Enclosure: | TEFC | Mfg Plant: | | Mech. Spec: | 12H49 | Layout: | 12LYH049 |
| Frame: | 324TS | Mounting: | F1 | Poles: | 02 | Created Date: | 05-14-2012 |
| Base: | RG | Rotation: | R | Insulation: | F | Eff. Date: | 08-30-2016 |
| Leads: | 3#8 | | | | | Replaced By: | |
| Literature: | | Elec. Diagram: | | | | | |

| | | | | | | | | | | | | | | | |
|--------------------------|--------------|--|----------|----------------|---|-------------------------|---------|-----------|------|--------|------|--|------------|--|--|
| Nameplate NP3443L | | | | | | | | | | | | | | | |
| CAT.NO. | EM4109T-5 | | | P/N | | | | ENCLOSURE | TEFC | | | | | | |
| SPEC. | 12H049Y367 | | CC | 010A | | FRAME | 324TS | | S/N | | | | | | |
| HP | 40 | | | CLASS | F | | HZ | 60 | | | | | | | |
| RPM | 3530 | | | PH | 3 | | DES | A | | | | | | | |
| VOLT | 575 | | | KVA-CODE | G | | ODE BRG | 6311 | | DE BRG | 6312 | | | | |
| AMP | 37 | | | USABLE AT 208V | | | | | | | | | | | |
| RATING | 40C AMB-CONT | | | NEMA-NOM-EFF | | | | 92.4 | | GREASE | | | POLYREX EM | | |
| PF | 88 | | SER.F. | 1.15 | | VPWM INVERTER READY | | | | | | | | | |
| HTR-VOLTS | | | HTR-AMPS | | | MAX. SPACE HEATER TEMP. | | | | | | | | | |

| Parts List | | |
|----------------|---|----------|
| Part Number | Description | Quantity |
| SA244718 | SA 12H049Y367 | 1.000 EA |
| RA231603 | RA 12H049Y367 | 1.000 EA |
| 09FN3001D03 | EXTERNAL FAN, PLASTIC | 1.000 EA |
| S/P107-000-004 | SUPER-E(284 FR. & UP)-CL PLANT,POLYREX E | 1.000 EA |
| 10CB3001 | CONDUIT BOX CAST W/2.500 LEAD HOLE | 1.000 EA |
| 12GS1000SP | GASKET | 1.000 EA |
| 10XN3118K12 | 5/16-18 X .75 GRADE 5, ZINC PLATED | 4.000 EA |
| HW1001A31 | LOCKWASHER 5/16, ZINC PLT.591 OD, .319 I | 4.000 EA |
| WD1000B16 | T&B CX70TN TERMINAL | 1.000 EA |
| 51XF2520A08 | SCREW, HEX SER SLT HD, ZN 1/4-20 X .50 L | 1.000 EA |
| 12EP1107A05 | FR ENDPLATE, MACH 324-6T | 1.000 EA |
| 10XN5013K28 | 1/2-13 X 1.75 HEX HEAD MACH SCREW,GRAD | 4.000 EA |
| HW1001A50 | LOCKWASHER 1/2, ZINC PLT.,.879 OD, .509 I | 4.000 EA |
| HW5100A13 | W4627-047 WVY WSHER | 1.000 EA |
| 12EP1106A01 | PU ENDPLATE, MACH 324-6T | 1.000 EA |
| 10XN3118K36 | 5/16-18 X 2.25" HEX HD, GRADE 5 | 2.000 EA |
| HW1001A31 | LOCKWASHER 5/16, ZINC PLT.591 OD, .319 I | 2.000 EA |
| 10XN3118K40 | 5/16-18 X 2.50" HEX HD, GRADE 5 | 4.000 EA |
| HW1001A31 | LOCKWASHER 5/16, ZINC PLT.591 OD, .319 I | 4.000 EA |
| HA3400A13 | STUD, 1/2-13 X 7" WELKER | 4.000 EA |
| HW1001A50 | LOCKWASHER 1/2, ZINC PLT.,.879 OD, .509 I | 4.000 EA |
| 12FH1002SP | FAN COVER, CAST QF,WAUPACA QUALITY | 1.000 EA |
| XY5013A12 | NUT,1/2-13,HEX,STEEL,ZINCPLATED | 4.000 EA |
| HW1001A50 | LOCKWASHER 1/2, ZINC PLT.,.879 OD, .509 I | 4.000 EA |

| Parts List (continued) | | |
|------------------------|--|----------|
| Part Number | Description | Quantity |
| HW4600B41 | V-RING SLINGER 2.125 X 2.880 X 0.280 | 1.000 EA |
| 10CB3500SP | CONDUIT BOX LID, CAST | 1.000 EA |
| 10GS1000SP | GASKET, CONDUIT BOX LID | 1.000 EA |
| 51XW2520A12 | .25-20 X .75, TAPTITE II, HEX WSHR SLTD | 4.000 EA |
| HW2501H18 | KEY, 1/2 SQ X 2.000 | 1.000 EA |
| LB1115N | LABEL,LIFTING DEVICE (ON ROLLS) | 1.000 EA |
| MN416A01 | TAG-INSTAL-MAINT no wire (1000/bx) 11/14 | 1.000 EA |
| HW4500A21 | 1618BALEMITE FITTING 825 UNIVERSAL | 1.000 EA |
| HA4017A01 | 1/8 X 4 GREASE EXT (F/S) | 1.000 EA |
| HW4500A17 | 317400 ALEMITE GREASE RELIEF | 1.000 EA |
| HA4054 | SHORT T-DRAIN FITTING, .125" N.P.T. | 1.000 EA |
| HA4051A00 | PLASTIC CAP FOR GREASE FITTING | 1.000 EA |
| MJ1000A02 | GREASE, POLYREX EM EXXON (USe 4824-15A) | 0.200 LB |
| HW4500A03 | GREASE FITTING, .125 NPT 1610(ALEMITE) 8 | 1.000 EA |
| HW4500A17 | 317400 ALEMITE GREASE RELIEF | 1.000 EA |
| HA4054 | SHORT T-DRAIN FITTING, .125" N.P.T. | 1.000 EA |
| HA4051A00 | PLASTIC CAP FOR GREASE FITTING | 1.000 EA |
| HW2500A25 | WOODRUFF KEY USA #1008 #BLOW CARBON STEE | 1.000 EA |
| 51XB1214A20 | 12-14X1.25 HXWSSLD SERTYB | 1.000 EA |
| MG1000Y03 | MUNSELL 2.53Y 6.70/ 4.60, GLOSS 20, | 0.080 GA |
| 85XU0407S04 | 4X1/4 U DRIVE PIN STAINLESS | 4.000 EA |
| LB1119N | WARNING LABEL | 1.000 EA |
| LC0006 | CONNECTION LABEL | 1.000 EA |
| NP3443L | SS SUPER-E UL CSA-EEV PREM CC | 1.000 EA |

| | | |
|----------|---------------------------------|----------|
| 12PA1000 | PACKAGING GROUP PRINT PK1024A06 | 1.000 EA |
|----------|---------------------------------|----------|

| Accessories | | |
|--------------------|--------------------|-------------------|
| Part Number | Description | Multiplier |
| 12-1105 | C FACE KIT | A8 |
| 12EP1501A03SP | D-FLANGE KIT | A8 |

AC Induction Motor Performance Data

Record # 32547 - Typical performance - not guaranteed values

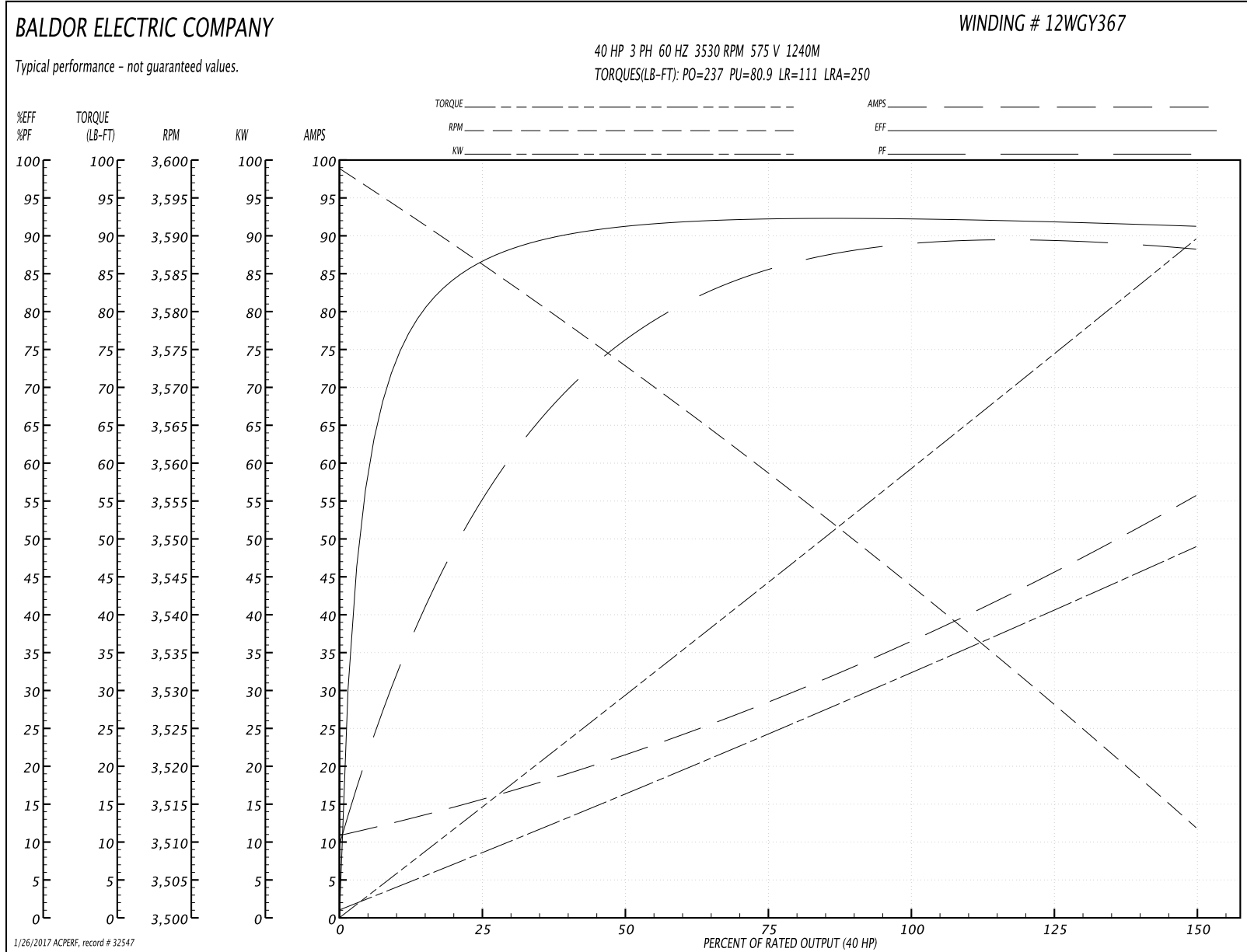
| | | |
|-------------------------------|--------------------|------------------------|
| Winding: 12WGY367-R001 | Type: 1240M | Enclosure: TEFC |
|-------------------------------|--------------------|------------------------|

| Nameplate Data | | | | 575 V, 60 Hz: Single Voltage Motor | |
|-----------------------|--------------|--------------|----|---------------------------------------|-------------------------|
| Rated Output (HP) | 40 | | | Full Load Torque | 59.2 LB-FT |
| Volts | 575 | | | Start Configuration | direct on line |
| Full Load Amps | 37 | | | Breakdown Torque | 237 LB-FT |
| R.P.M. | 3530 | | | Pull-up Torque | 80.9 LB-FT |
| Hz | 60 | Phase | 3 | Locked-rotor Torque | 111 LB-FT |
| NEMA Design Code | A | KVA Code | G | Starting Current | 250 A |
| Service Factor (S.F.) | 1.15 | | | No-load Current | 11.5 A |
| NEMA Nom. Eff. | 92.4 | Power Factor | 88 | Line-line Res. @ 25°C | 0.224 Ω |
| Rating - Duty | 40C AMB-CONT | | | Temp. Rise @ Rated Load | 65°C |
| S.F. Amps | | | | Temp. Rise @ S.F. Load | 78°C |
| | | | | Locked-rotor Power Factor | 21.7 |
| | | | | Rotor inertia | 3.13 LB-FT ² |

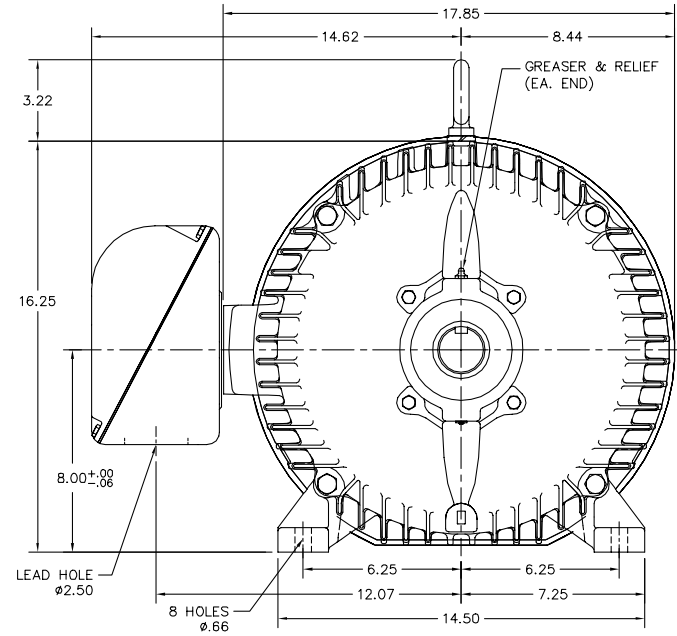
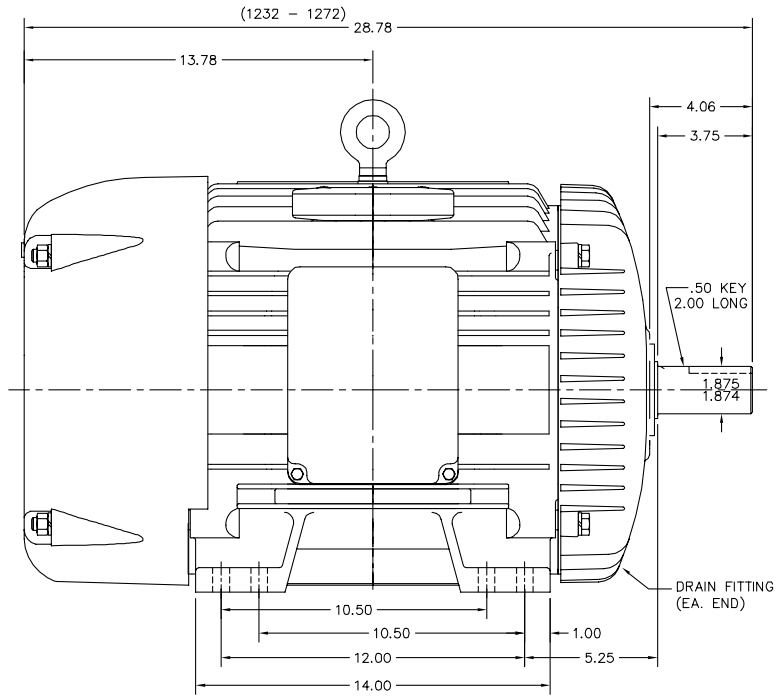
Load Characteristics 575 V, 60 Hz, 40 HP

| % of Rated Load | 25 | 50 | 75 | 100 | 125 | 150 | S.F. |
|-----------------|------|------|------|------|------|------|------|
| Power Factor | 59 | 78 | 85 | 88 | 89 | 89 | 89 |
| Efficiency | 85.3 | 91.1 | 92.1 | 92.6 | 91.9 | 91.2 | 92.2 |
| Speed | 3586 | 3573 | 3559 | 3544 | 3528 | 3512 | 3534 |
| Line amperes | 14.8 | 21.1 | 28.6 | 36.9 | 45.9 | 55.3 | 42.3 |

Performance Graph at 575V, 60Hz, 40.0HP Typical performance - Not guaranteed values



12LYH049



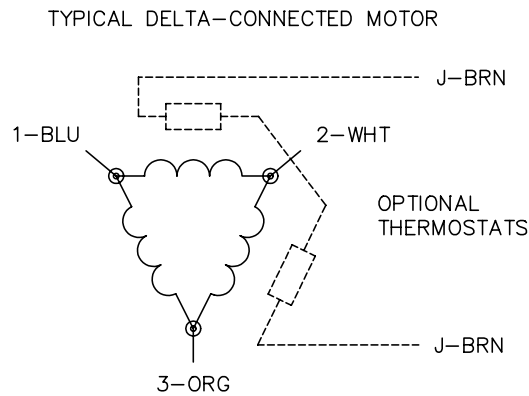
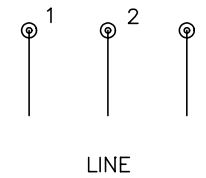
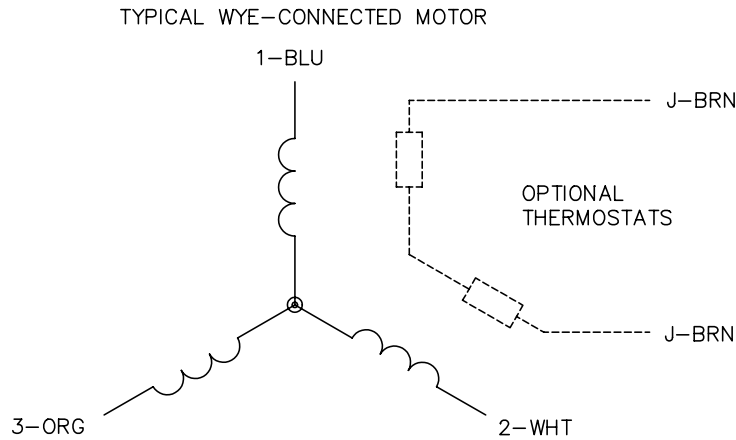
12LYH049

CUSTOMER IS RESPONSIBLE FOR DETERMINING THAT BALDOR'S PRODUCT WILL PERFORM SUITABLY IN THE INTENDED APPLICATION.

| | | |
|---------------------------|------------------------------|-------------------|
| REV. DESC: REMOVE LOCKNUT | VERSION: 05 | TDR: 000000954270 |
| REV. LTR: H | REVISED: 01:37:43 11/19/2015 | BY: ENMARSO |
| FILE: \AAA\00011\097 | | |
| MTL: - | | |

BALDOR
 HORZ TEFC 324-6TS; HI-EFF
 SH 1 of 1

CD0006



NOTES:

1. THREE LEAD MOTOR MAY BE EITHER WYE CONNECTED OR DELTA CONNECTED.
2. INTERCHANGE ANY TWO LINE LEADS TO REVERSE ROTATION.
3. OPTIONAL THERMOSTATS ARE PROVIDED WHEN SPECIFIED.
4. ACTUAL NUMBER OF INTERNAL PARALLEL CIRCUITS MAY VARY.
5. LEAD COLORS ARE OPTIONAL. LEADS MUST BE NUMBERED AS SHOWN.

| | | | |
|---|---------|------------------------|--------------|
| REV. DESC: REVISE TO SHOW OPTIONAL COLORS | | | |
| REV. LTR: D | BY: JLP | REVISED: 01/21/99 4:02 | TDR: 0171435 |
| 9000D | | FILE: AAA00005141 | MDL: - |
| | | MTL: - | |

BALDOR ELECTRIC Co.

3PH, SV, 3 LEADS, WYE OR DELTA CONNECTED

CD0006