

BALDOR® • ***RELIANCE***

Product Information Packet

EM7042T-5

3HP,1760RPM,3PH,60HZ,182T,3631M,XPFC,F1

Part Detail							
Revision:	F	Status:	PRD/A	Change #:		Proprietary:	No
Type:	AC	Prod. Type:	3632M	Elec. Spec:	36WGS582	CD Diagram:	CD0006
Enclosure:	XPFC	Mfg Plant:		Mech. Spec:	36N004	Layout:	36LYN004
Frame:	182T	Mounting:	F1	Poles:	04	Created Date:	09-30-2010
Base:	RG	Rotation:	R	Insulation:	B	Eff. Date:	05-10-2016
Leads:	3#16					Replaced By:	
Literature:		Elec. Diagram:					

Nameplate NP1426XPSLEV	
NO.	<input type="text"/> CC 010A
SER.	<input type="text"/>
SPEC.	36N004S582G1
CAT.NO.	EM7042T-5
HP	3 T. CODE T3C
VOLTS	575
AMPS	3.3
RPM	1760
HZ	60 PH 3 CL B
SER.F.	1.00 DES B CODE K
RATING	40C AMB-CONT
FRAME	182T NEMA-NOM-EFF 89.5
USABLE AT 208V	PF 75
BLANK	<input type="text"/>

Parts List		
Part Number	Description	Quantity
SA204439	SA 36N004S582G1	1.000 EA
RA191685	RA 36N004S582G1	1.000 EA
36FN3000C01	EXFN, PLASTIC, 5.25 OD, .912 ID	1.000 EA
35CB3001A02SP	EXPL PROOF CONDUIT BOX, 3/4"PIPE TAP LEA	1.000 EA
11XW1032G06	10-32 X .38, TAPTITE II, HEX WSHR SLTD U	1.000 EA
HW3001B01	BRASS CUP WASHER, FOR #8 SCREW	1.000 EA
36EP3700A01	FR ENDPLATE, MACH	1.000 EA
HW4500A19	1/4-28X1/4 SLOTTED PLUG F/S	2.000 EA
HW5100A05	WVY WSHR F/205 & 304 BRGS	1.000 EA
36EP3701A01	PU ENDPLATE, MACH	1.000 EA
HW4500A19	1/4-28X1/4 SLOTTED PLUG F/S	2.000 EA
XY3816A12	3/8-16 FINISHED NUT	4.000 EA
51XB1214A16	12-14X1.00 HXWSSLD SERTYB	1.000 EA
36FH4009A02	FAN COVER FOR VM7042T,PRIMER	1.000 EA
51XW1032A06	10-32 X .38, TAPTITE II, HEX WSHR SLTD S	3.000 EA
35CB3500A01SP	CONDUIT BOX LID, MACH	1.000 EA
51XN2520A16	SCREW, HEX WS SLT, ZN, 1/4-20 X 1.00	4.000 EA
HW2501E16	3KEY, 1/4 SQ X 1.750	1.000 EA
HA7000A02	KEY RETAINER RING, 1 1/8 DIA, 1 3/8 DIA	1.000 EA
85XU0407S04	4X1/4 U DRIVE PIN STAINLESS	6.000 EA
NP0018F	ALUM UL XP CONDUIT BOX NAMEPLATE	1.000 EA
MJ1000A02	GREASE, POLYREX EM EXXON (USe 4824-15A)	0.050 LB
MG1025G29	WILKOFASST, 789.229, DARK CHARCOAL GRAY	0.022 GA
HA3105A06	THRUBOLT- 3/8-16 X 10.500 X	4.000 EA

Parts List (continued)		
Part Number	Description	Quantity
LB1119N	WARNING LABEL	1.000 EA
LC0006	CONNECTION LABEL	1.000 EA
NP1426XPSLEV	SS XP UL CSA-EEV CC CL-I GP-D	1.000 EA
36PA1001	PKG GRP, PRINT PK1017A06	1.000 EA
MN416A01	TAG-INSTAL-MAINT no wire (1000/bx) 11/14	1.000 EA

AC Induction Motor Performance Data

Record # 35736 - Typical performance - not guaranteed values

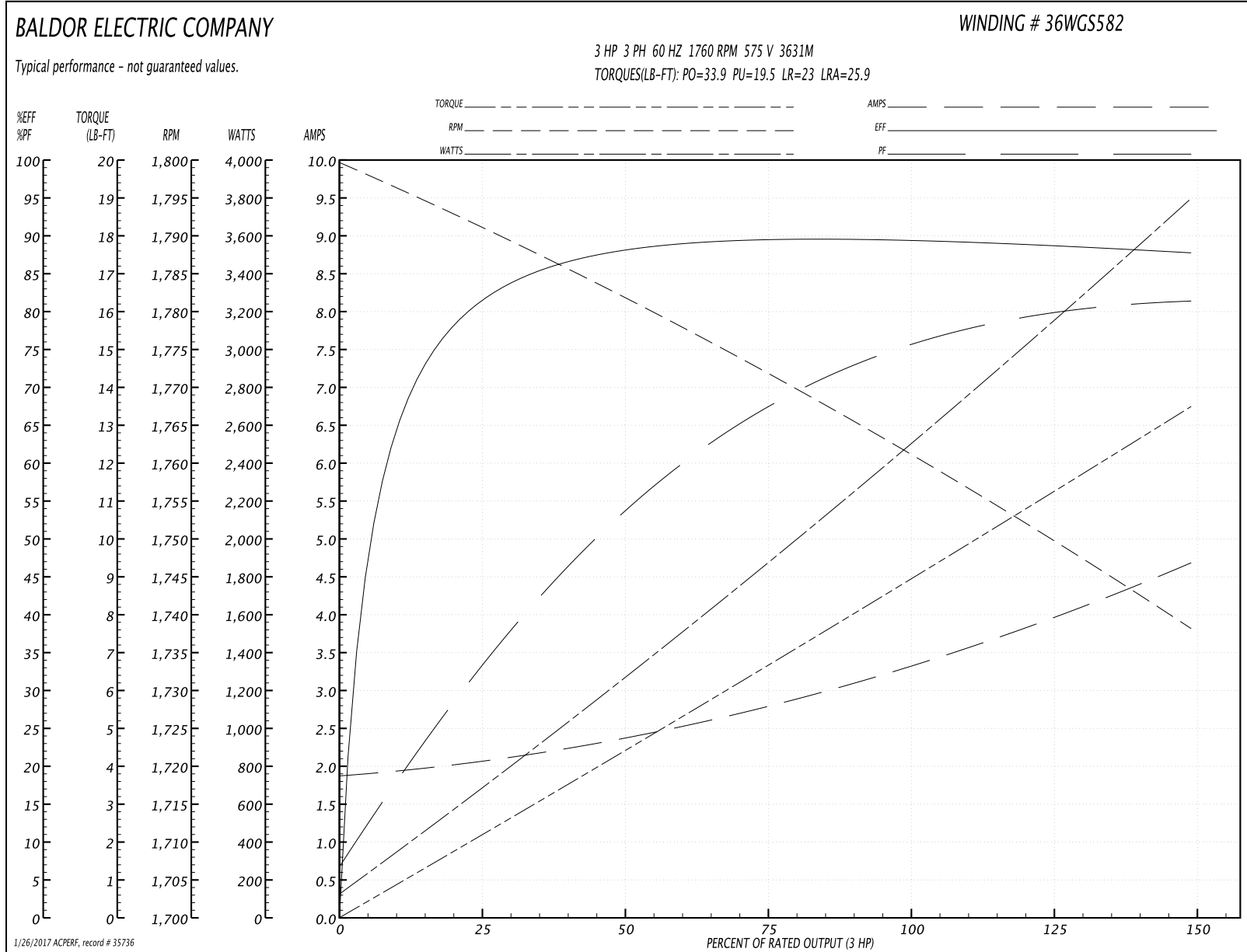
Winding: 36WGS582-R002	Type: 3631M	Enclosure: XPFC
-------------------------------	--------------------	------------------------

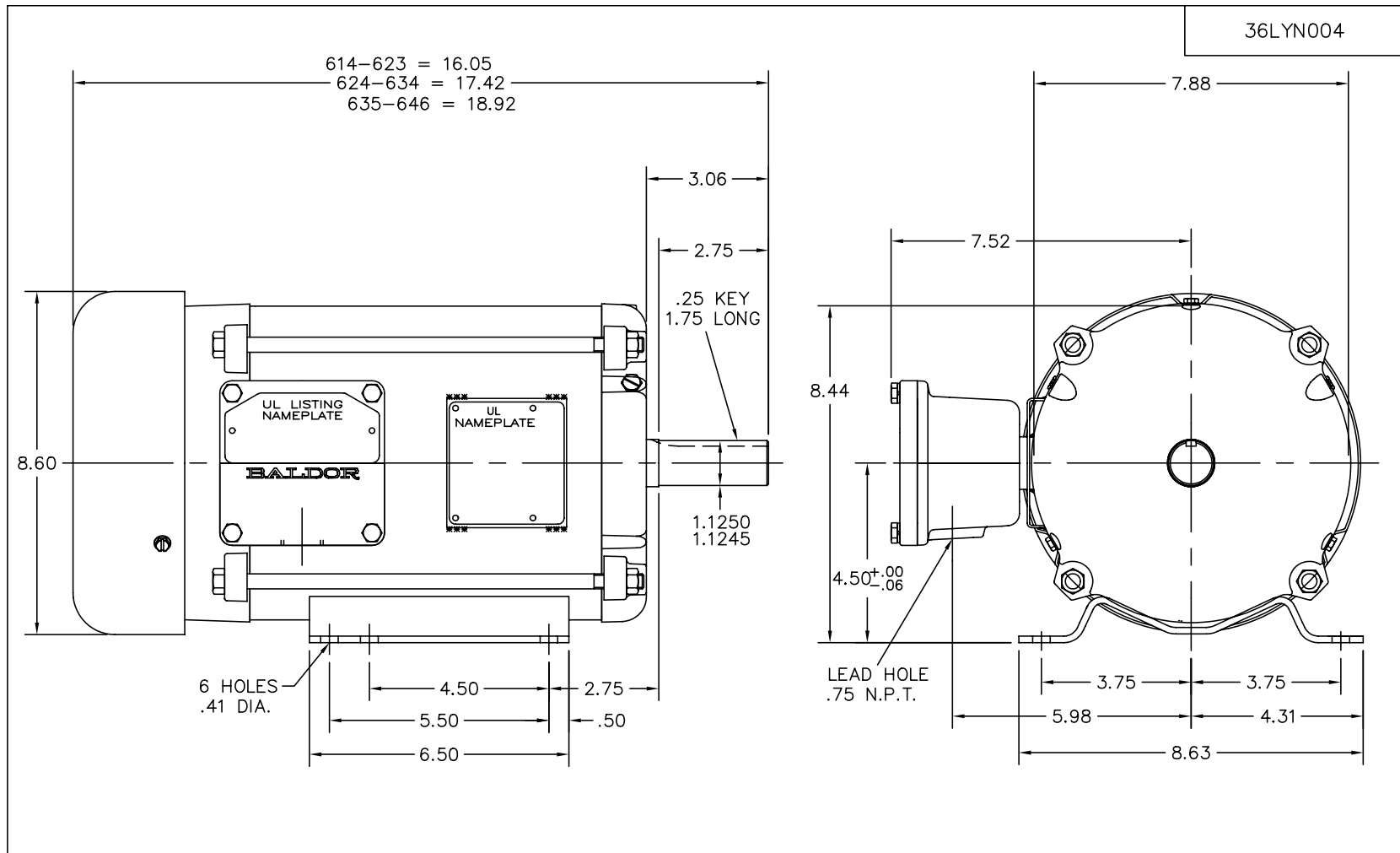
Nameplate Data				575 V, 60 Hz: Single Voltage Motor	
Rated Output (HP)	3			Full Load Torque	8.88 LB-FT
Volts	575			Start Configuration	direct on line
Full Load Amps	3.3			Breakdown Torque	33.9 LB-FT
R.P.M.	1760			Pull-up Torque	19.5 LB-FT
Hz	60	Phase	3	Locked-rotor Torque	23 LB-FT
NEMA Design Code	B	KVA Code	K	Starting Current	25.9 A
Service Factor (S.F.)	1			No-load Current	1.9 A
NEMA Nom. Eff.	89.5	Power Factor	75	Line-line Res. @ 25°C	6 Ω
Rating - Duty	40C AMB-CONT			Temp. Rise @ Rated Load	40°C
S.F. Amps				Temp. Rise @ S.F. Load	47°C
				Locked-rotor Power Factor	43
				Rotor inertia	0.289 LB-FT ²

Load Characteristics 575 V, 60 Hz, 3 HP

% of Rated Load	25	50	75	100	125	150
Power Factor	33	54	67	75	79	82
Efficiency	80.5	87.7	89.5	89.6	89	87.6
Speed	1791	1782	1772	1762	1750	1738
Line amperes	2.03	2.34	2.77	3.34	3.97	4.66

Performance Graph at 575V, 60Hz, 3.0HP Typical performance - Not guaranteed values





36LYN004

UL CLASS I - GROUP D - CLASS II - GROUPS F & G

CUST. NAME		CUST. P.O.		CERTIFIED BY		MODEL		INSUL		AMB		
H.P.		MTG		TYPE		R.P.M.		VOLTS		ENCL		
PHASE		FREQ		FRAME		REV. DESC: CHG'D FAN HOUSING TO 36FH4009A02						
REV. LTR: F		BY: JED		REVISED: 06/05/99 10:52		TDR: 0183314						
FILE: AAA00004620		MDL: -						<h1>BALDOR ELECTRIC Co.</h1> <p>HORZ 182-4T TEFC X36M CL I-GP D-CL II-GP F&G</p>				
MTL: -												

36LYN004

CD0006



NOTES:

1. THREE LEAD MOTOR MAY BE EITHER WYE CONNECTED OR DELTA CONNECTED.
2. INTERCHANGE ANY TWO LINE LEADS TO REVERSE ROTATION.
3. OPTIONAL THERMOSTATS ARE PROVIDED WHEN SPECIFIED.
4. ACTUAL NUMBER OF INTERNAL PARALLEL CIRCUITS MAY VARY.
5. LEAD COLORS ARE OPTIONAL. LEADS MUST BE NUMBERED AS SHOWN.

REV. DESC: REVISE TO SHOW OPTIONAL COLORS			
REV. LTR: D	BY: JLP	REVISED: 01/21/99 4:02	TDR: 0171435
9000D		FILE: AAA00005141	MDL: -
		MTL: -	

BALDOR ELECTRIC Co.

3PH, SV, 3 LEADS, WYE OR DELTA CONNECTED

CD0006