

BALDOR® • ***RELIANCE***

Product Information Packet

EM7045T-I-5

7.5HP,3520RPM,3PH,60HZ,213T,3728M,XPFC,F

Part Detail							
Revision:	D	Status:	PRD/A	Change #:		Proprietary:	No
Type:	AC	Prod. Type:	3728M	Elec. Spec:	37WGR289	CD Diagram:	CD0006
Enclosure:	XPFC	Mfg Plant:		Mech. Spec:	37H721	Layout:	37LYH721
Frame:	213T	Mounting:	F1	Poles:	02	Created Date:	11-22-2013
Base:	RG	Rotation:	R	Insulation:	F	Eff. Date:	08-20-2015
Leads:	3#14					Replaced By:	
Literature:		Elec. Diagram:					

Nameplate NP0977XPSLEV			
NO.		CC	010A
SER.		TEMP CODE	T3C
SPEC.	37H721R289G1		
CAT.NO.	EM7045T-I-5		
HP	7.5		
VOLTS	575		
AMPS	7		
RPM	3520 75C RISE	MOTOR WEIGHT	149
HERTZ	60	PH	3
SER.F.	1.15	CL	F
FRAME	213T	DE BRG	6307
RATING	40C AMB-CONT	ODE BRG	6206
USABLE AT 208V		GREASE	POLYREX EM
		NEMA-NOM-EFF	89.5
	NEMA MG-1 PT 5,IP55	PF	86

Parts List		
Part Number	Description	Quantity
SA272884	SA 37H721R289G1	1.000 EA
RA259489	RA 37H721R289G1	1.000 EA
36FN3000B02	EXFN, PLASTIC, 6.00 OD, 1.175 ID	1.000 EA
37CB1005A02	CONDUIT BOX-MACH-EXPL.PROOF-GROUP "C" MTR	1.000 EA
11XW1032G06	10-32 X .38, TAPTITE II, HEX WSHR SLTD U	1.000 EA
HW3001B01	BRASS CUP WASHER, FOR #8 SCREW	1.000 EA
37EP1715A04	FR EP XPFC, GROUP "C" MTRS W/SPL DRAIN	1.000 EA
HW4500A19	1/4-28X1/4 SLOTTED PLUG F/S	2.000 EA
HW4506A02	BREATHER/DRAIN-EXP PROOF-.125-27 NPTF AI	1.000 EA
HW3022E05	.125 DIA X .500 ROLLED SPRING PIN	1.000 EA
37FH4000A09	FAN COVER, W/ PRIMER	1.000 EA
HW5100A06	W2420-025 WVY WSHR (WB)	1.000 EA
37EP1714A03	PU EP XPFC-GROUP "C" MTRS W/SPL DRAIN	1.000 EA
HW4500A19	1/4-28X1/4 SLOTTED PLUG F/S	2.000 EA
HW4506A02	BREATHER/DRAIN-EXP PROOF-.125-27 NPTF AI	1.000 EA
HW3022E05	.125 DIA X .500 ROLLED SPRING PIN	1.000 EA
51XW1032A06	10-32 X .38, TAPTITE II, HEX WSHR SLTD S	3.000 EA
37CB1502A01	CONDUIT BOX LID-MACH-EXPL.PROOF-GROUP "C"	1.000 EA
RM1020A42	O-RING, -154 BUNA-N, .103 CS X 3.737 ID	2.000 EA
HA2065A02	SLINGER, ALUM MODLE 36 & 37 DRILL RIG MT	1.000 EA
80XN1032A07	SET SCREW, HEX XOCK, ZN	1.000 EA
HW2501F21	KEY, 5/16 SQ X 2.375	1.000 EA
HA7000A02	KEY RETAINER RING, 1 1/8 DIA, 1 3/8 DIA	1.000 EA
85XU0407S04	4X1/4 U DRIVE PIN STAINLESS	6.000 EA

Parts List (continued)		
Part Number	Description	Quantity
LB1115N	LABEL,LIFTING DEVICE (ON ROLLS)	1.000 EA
LB1359F	ALUM XP CAUTION LABEL	1.000 EA
MJ1000A02	GREASE, POLYREX EM EXXON (USe 4824-15A)	0.050 LB
51XB1214A20	12-14X1.25 HXWSSLD SERTYB	1.000 EA
MG1025G29	WILKOFAS, 789.229, DARK CHARCOAL GRAY	0.028 GA
HA3106A03	THRUBOLT- 1/2-13 X 11.875 X	4.000 EA
LB1119N	WARNING LABEL	1.000 EA
LC0006	CONNECTION LABEL	1.000 EA
MN416A01	TAG-INSTAL-MAINT no wire (1000/bx) 11/14	1.000 EA
NP0977XPSLEV	SS XP UL CSA-EEV CC CL-I GP-C&D	1.000 EA
37PA1039	PALLET PACK GRP, PRINT PK1026A06	1.000 EA

AC Induction Motor Performance Data

Record # 50289 - Typical performance - not guaranteed values

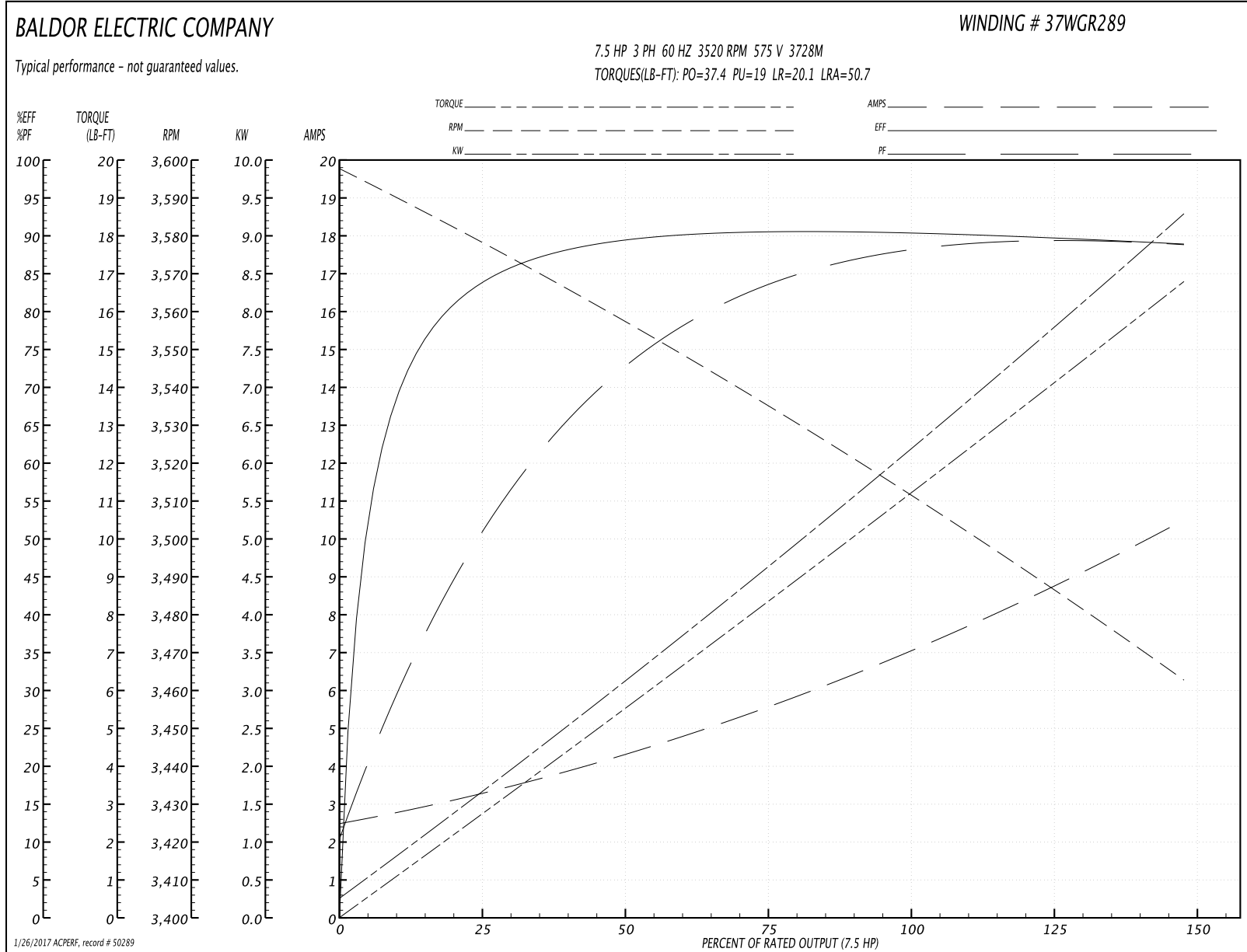
Winding: 37WGR289-R005	Type: 3728M	Enclosure: XPFC
-------------------------------	--------------------	------------------------

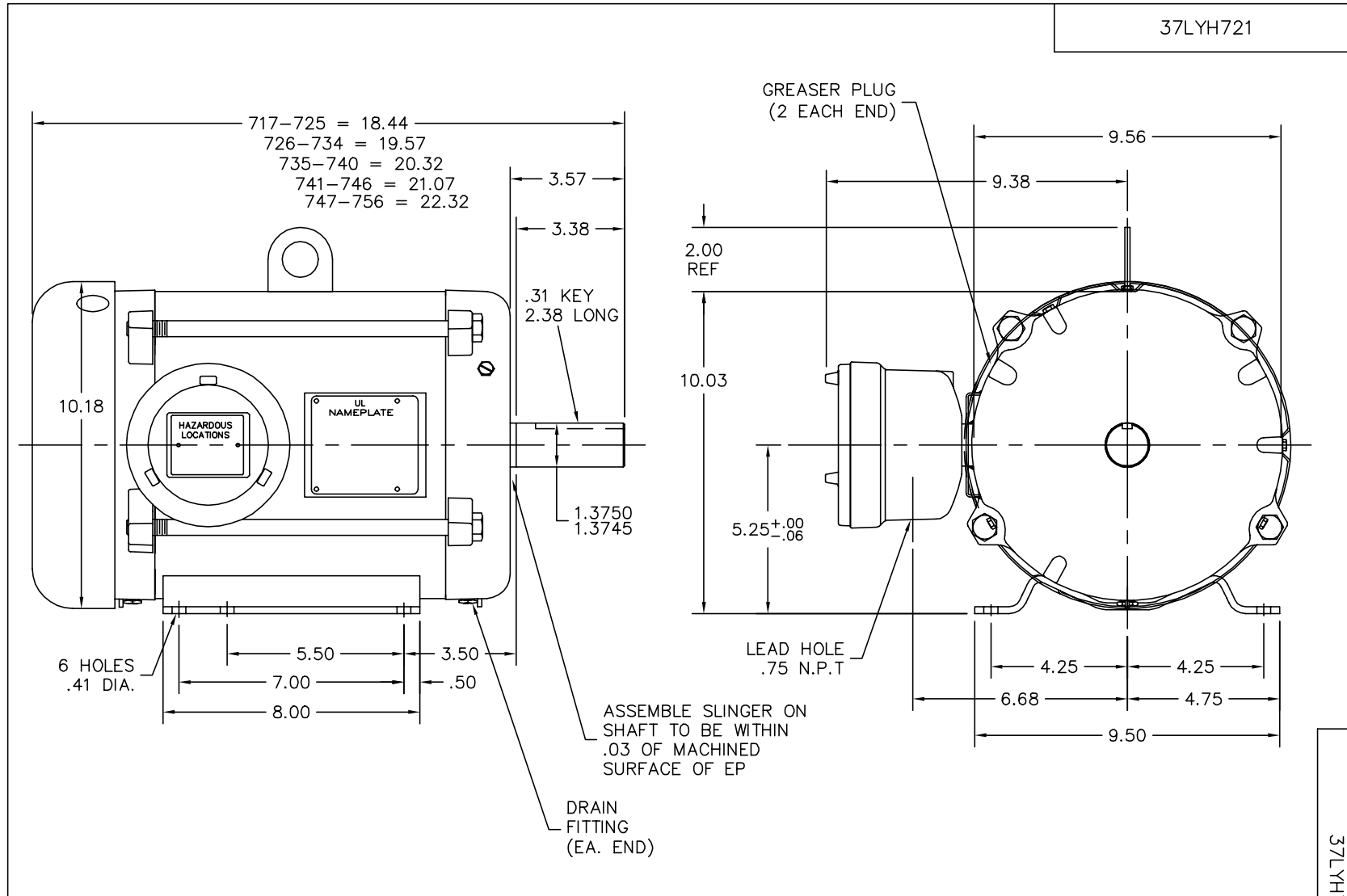
Nameplate Data				575 V, 60 Hz: Single Voltage Motor	
Rated Output (HP)	7.5			Full Load Torque	10.9 LB-FT
Volts	575			Start Configuration	direct on line
Full Load Amps	7			Breakdown Torque	37.4 LB-FT
R.P.M.	3520			Pull-up Torque	19 LB-FT
Hz	60	Phase	3	Locked-rotor Torque	20.1 LB-FT
NEMA Design Code	B	KVA Code	H	Starting Current	50.7 A
Service Factor (S.F.)	1.15			No-load Current	2.61 A
NEMA Nom. Eff.	89.5	Power Factor	86	Line-line Res. @ 25°C	1.9 Ω
Rating - Duty	40C AMB-CONT			Temp. Rise @ Rated Load	46°C
S.F. Amps				Temp. Rise @ S.F. Load	56°C
				Locked-rotor Power Factor	33.2
				Rotor inertia	0.255 LB-FT ²

Load Characteristics 575 V, 60 Hz, 7.5 HP

% of Rated Load	25	50	75	100	125	150	S.F.
Power Factor	49	73	82	86	88	90	87
Efficiency	82	89	90.5	90.5	89.9	88.9	90.1
Speed	3579	3560	3538	3515	3490	3462	3500
Line amperes	3.06	4.03	5.42	6.98	8.66	10.4	7.99

Performance Graph at 575V, 60Hz, 7.5HP Typical performance - Not guaranteed values





CUSTOMER IS RESPONSIBLE FOR DETERMINING THAT BALDOR'S PRODUCT WILL PERFORM SUITABLY IN THE INTENDED APPLICATION.

REV. DESC: REPLACED 37FH4000A02 W/ 37FH4000A09		
REV. LTR: D	VERSION: 01	TDR: 000000843643
FILE: \AAA\00086\536	REVISED: 10:01:52 03/12/2014	BY: ENKANVO
MTL: -	⊙ □	

BALDOR

HOR 213-5T XPFC 37M CL I-GP C&D T'STAT/DRILL RIG, EPACT

SH 1 of 1

37LYH721

CD0006



NOTES:

1. THREE LEAD MOTOR MAY BE EITHER WYE CONNECTED OR DELTA CONNECTED.
2. INTERCHANGE ANY TWO LINE LEADS TO REVERSE ROTATION.
3. OPTIONAL THERMOSTATS ARE PROVIDED WHEN SPECIFIED.
4. ACTUAL NUMBER OF INTERNAL PARALLEL CIRCUITS MAY VARY.
5. LEAD COLORS ARE OPTIONAL. LEADS MUST BE NUMBERED AS SHOWN.

REV. DESC: REVISE TO SHOW OPTIONAL COLORS			
REV. LTR: D	BY: JLP	REVISED: 01/21/99 4:02	TDR: 0171435
9000D		FILE: AAA00005141	MDL: -
		MTL: -	

BALDOR ELECTRIC Co.

3PH, SV, 3 LEADS, WYE OR DELTA CONNECTED

CD0006