

BALDOR® • RELIANCE

Product Information Packet

EMVM3709D

5.5KW,3450RPM,3PH,60HZ,D132D,3646M,TEFC

Part Detail							
Revision:	C	Status:	PRD/A	Change #:		Proprietary:	No
Type:	AC	Prod. Type:	3646M	Elec. Spec:	36WGR455	CD Diagram:	CD0005
Enclosure:	TEFC	Mfg Plant:		Mech. Spec:	36N539	Layout:	36LYN539
Frame:	D132D	Mounting:	B5	Poles:	02	Created Date:	05-12-2015
Base:	N	Rotation:	R	Insulation:	F	Eff. Date:	09-14-2016
Leads:	9#16					Replaced By:	
Literature:		Elec. Diagram:					

Nameplate NP3389L					
CAT.NO.	EMVM3709D				
SPEC.	36N539R455G1				
IEC FRAME	D132D	KW	5.5KW		
VOLTS	230/460				
AMP	16.6/8.3				
RPM	3450	ENCL	TEFC		
HZ	60	PH	3	CL	F
SER.F.	1.15	DES	A	CODE	M
NEMA-NOM-EFF	89.5	I.P.	54		
RATING	40C AMB-CONT				
CC	010A	USABLE AT 208V	18.2		
DE	6208	ODE	6205		
SER. #					

Parts List		
Part Number	Description	Quantity
SA301019	SA 36N539R455G1	1.000 EA
RA288088	RA 36N539R455G1	1.000 EA
36CB3004	36 CB CASTING W/1.09 DIA LEAD HOLE @ 6:0	1.000 EA
36GS1000SP	GASKET-CONDUIT BOX, .06 THICK #SV-330 LE	1.000 EA
51XB1016A07	10-16 X 7/16 HXWSSLD SERTYB	2.000 EA
11XW1032G06	10-32 X .38, TAPTITE II, HEX WSHR SLTD U	1.000 EA
36EP3104A02	FREP MACH W/O GRSSR, RAISED FH PADS	1.000 EA
HW5100A05	WVY WSHR F/205 & 304 BRGS	1.000 EA
36EP3305A26	PUEP 182-4TC ENCL 208 BRG W/O GREASER	1.000 EA
HW4600A98	SEAL 1.563 X 2.125 X 0.313 SINGLE LIP	1.000 EA
10XN2520A32	1/4 X 2 HEX HEAD CAP SCR, GRADE 2	4.000 EA
HW1001A25	LOCKWASHER 1/4, ZINC PLT .493 OD, .255 I	4.000 EA
HA6221A14	D-FLANGE ADAPT, 213-5C TO IEC D132D	1.000 EA
10XN5013A20	1/2-13X1 1/4 HEX HD CAP	4.000 EA
HW1001A50	LOCKWASHER 1/2, ZINC PLT, .879 OD, .509 I	4.000 EA
51XB1214A16	12-14X1.00 HXWSSLD SERTYB	1.000 EA
36FH4009A101	IEC FH NO GREASER, W/PRIMER	1.000 EA
51XW1032A06	10-32 X .38, TAPTITE II, HEX WSHR SLTD S	3.000 EA
36CB4516	36 LIPPED CB LID	1.000 EA
37GS1001SP	GASKET, CONDUIT BOX LID, .06 THICK LEXID	1.000 EA
51XW0832A07	8-32 X .44, TAPTITE II, HEX WSHR SLTD SE	4.000 EA
HW2505B18	KEY, 8 X 10 MM X 2.00 LONG	1.000 EA
85XU0407S04	4X1/4 U DRIVE PIN STAINLESS	2.000 EA
MJ5001A27	32220KN GRAY SEALER *MIN BUY 4 QTS=1GAL	0.001 QT

Parts List (continued)		
Part Number	Description	Quantity
HW3200A01	3/8-16X3/4 I-BLT WELDED F/S	1.000 EA
MJ1000A02	GREASE, POLYREX EM EXXON (USe 4824-15A)	0.050 LB
MG1000Y03	MUNSELL 2.53Y 6.70/ 4.60, GLOSS 20,	0.022 GA
36FN3000C01	EXFN, PLASTIC, 5.25 OD, .912 ID	1.000 EA
HA3101A28	THRUBOLT 1/4-20 X 12.500 OHIO ROD	4.000 EA
LB1115N	LABEL,LIFTING DEVICE (ON ROLLS)	1.000 EA
LB1119N	WARNING LABEL	1.000 EA
MN416A01	TAG-INSTAL-MAINT no wire (1000/bx) 11/14	1.000 EA
LC0005	CONN.DIA.,TY M,9-LD,DUAL VOLT,REVERSING	1.000 EA
NP3389L	SS IEC SUPER E UL CSA-EEV NEMA PREMIUM	1.000 EA
37PA1016	PKG GRP, PRINT PK1035A06	1.000 EA
PK3082	STYROFOAM CRADLE	1.000 EA

AC Induction Motor Performance Data

Record # 57409 - Typical performance - not guaranteed values

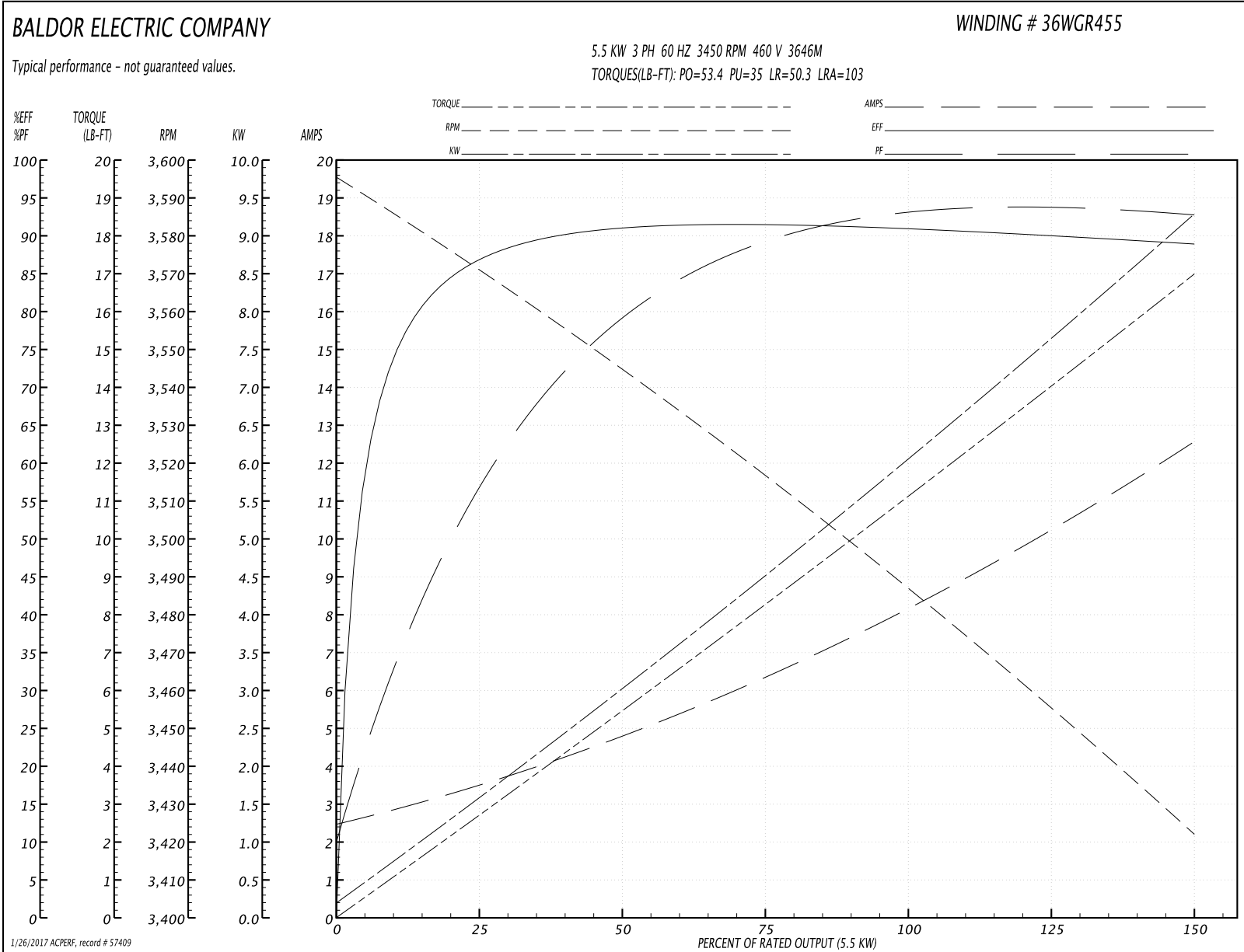
Winding: 36WGR455-R004	Type: 3646M	Enclosure: TEFC
-------------------------------	--------------------	------------------------

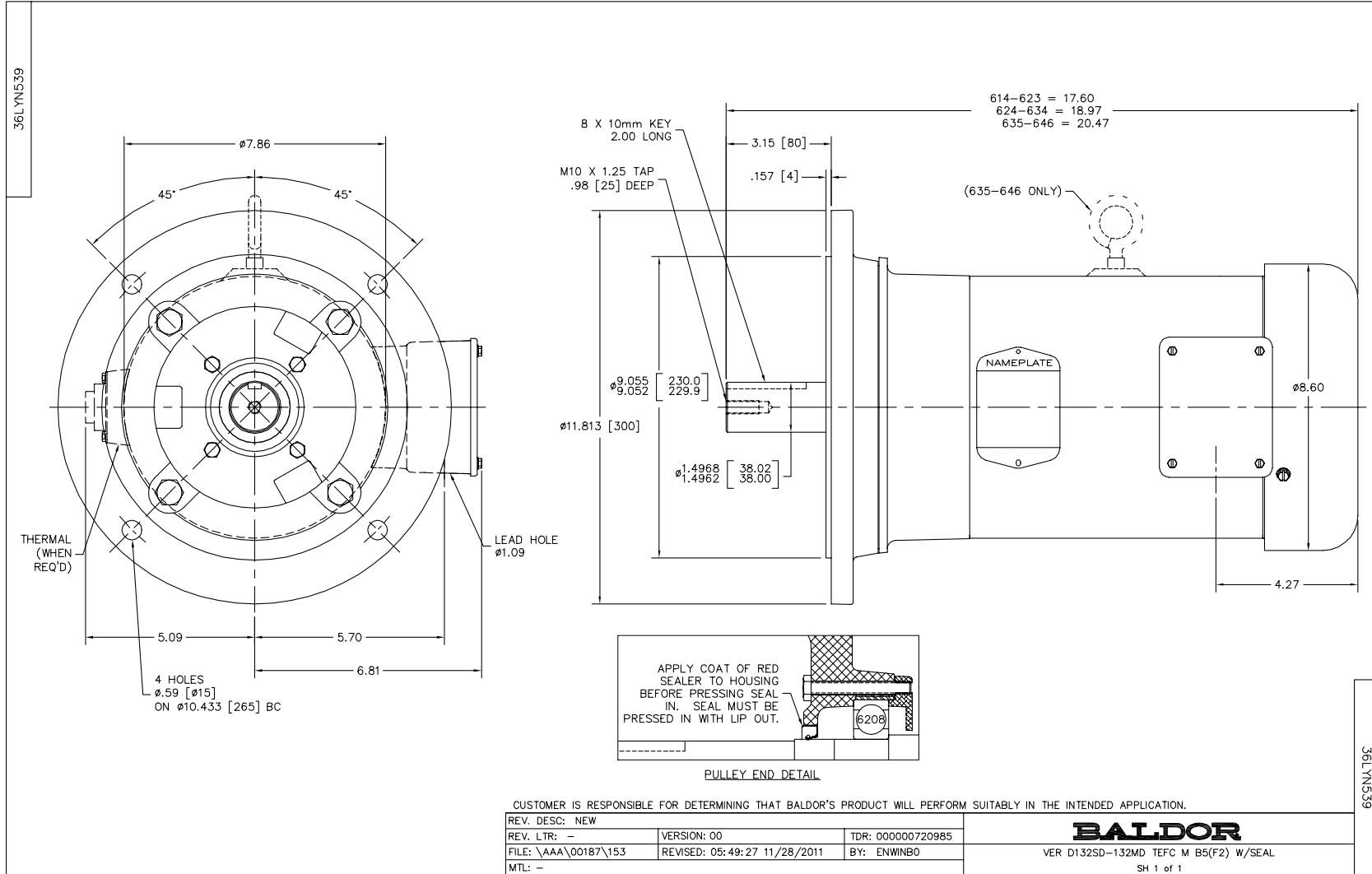
Nameplate Data				460 V, 60 Hz: High Voltage Connection	
Rated Output (KW)	5.5			Full Load Torque	11.1 LB-FT
Volts	230/460			Start Configuration	direct on line
Full Load Amps	16.6/8.3			Breakdown Torque	53.4 LB-FT
R.P.M.	3450			Pull-up Torque	35 LB-FT
Hz	60	Phase	3	Locked-rotor Torque	50.3 LB-FT
NEMA Design Code	A	KVA Code	M	Starting Current	103 A
Service Factor (S.F.)	1.15			No-load Current	2.62 A
NEMA Nom. Eff.	89.5	Power Factor	91	Line-line Res. @ 25°C	1.28 Ω
Rating - Duty	40C AMB-CONT			Temp. Rise @ Rated Load	37°C
S.F. Amps				Temp. Rise @ S.F. Load	45°C
				Locked-rotor Power Factor	44.7
				Rotor inertia	0.205 LB-FT ²

Load Characteristics 460 V, 60 Hz, 5.5 KW

% of Rated Load	25	50	75	100	125	150	S.F.
Power Factor	60	81	89	92	93	93	93
Efficiency	86.4	90.9	91.4	91	90.4	88.8	90.6
Speed	3572	3545	3516	3487	3455	3422	3468
Line amperes	3.29	4.71	6.41	8.29	10.3	12.5	9.5

Performance Graph at 460V, 60Hz, 5.5KW Typical performance - Not guaranteed values





CD0005



LOW VOLTAGE
(2Y)



LINE

HIGH VOLTAGE
(1Y)



LINE

NOTES:

1. INTERCHANGE ANY TWO LINE LEADS TO REVERSE ROTATION.
2. OPTIONAL THERMOSTATS ARE PROVIDED WHEN SPECIFIED.
3. ACTUAL NUMBER OF INTERNAL PARALLEL CIRCUITS MAY BE A MULTIPLE OF THOSE SHOWN ABOVE.
4. LEAD COLORS ARE OPTIONAL. LEADS MUST ALWAYS BE NUMBERED AS SHOWN.

REV. DESC: REVISE TO SHOW OPTIONAL COLORS			
REV. LTR: E	BY: JLP	REVISED: 01/19/99 10:15	TDR: 0171435
9000D		FILE: AAA00005140	MDL: -
		MTL: -	

BALDOR ELECTRIC Co.

3PH, DV, 9 LEADS

CD0005