

BALDOR® • ***RELIANCE***

Product Information Packet

FDEM2333T

15HP,1765RPM,3PH,60HZ,254T,0944M,TEFC,F1

| Part Detail | | | | | | | |
|-------------|------|----------------|-------|-------------|----------|---------------|------------|
| Revision: | H | Status: | PRD/A | Change #: | | Proprietary: | No |
| Type: | AC | Prod. Type: | 0944M | Elec. Spec: | 09WGZ910 | CD Diagram: | CD0005 |
| Enclosure: | TEFC | Mfg Plant: | | Mech. Spec: | 09K989 | Layout: | 09LYK989 |
| Frame: | 254T | Mounting: | F1 | Poles: | 04 | Created Date: | 12-16-2013 |
| Base: | RG | Rotation: | R | Insulation: | F | Eff. Date: | 01-26-2017 |
| Leads: | 9#12 | | | | | Replaced By: | |
| Literature: | | Elec. Diagram: | | | | | |

| Nameplate NP3126L | | | | | | | | | | |
|-------------------|--------------|--|------|-----|----------------|----|--|----|----|---|
| CAT.NO. | FDEM2333T | | | | | | | | | |
| SPEC. | 09K989Z910G1 | | | | | | | | | |
| HP | 15 | | | | | | | | | |
| VOLTS | 230/460 | | | | | | | | | |
| AMP | 36.2/18.1 | | | | | | | | | |
| RPM | 1765 | | | | | | | | | |
| FRAME | 254T | | | | HZ | 60 | | | PH | 3 |
| SER.F. | 1.15 | | CODE | H | DES | A | | CL | F | |
| NEMA-NOM-EFF | 92.4 | | PF | 83 | | | | | | |
| RATING | 40C AMB-CONT | | | | | | | | | |
| CC | 010A | | | | USABLE AT 208V | | | 38 | | |
| DE | 6309 | | | ODE | 6208 | | | | | |
| ENCL | TEFC | | SN | | | | | | | |
| | | | | | | | | | | |

| Parts List | | |
|--------------|--|----------|
| Part Number | Description | Quantity |
| SA274091 | SA 09K989Z910G1 | 1.000 EA |
| RA260679 | RA 09K989Z910G1 | 1.000 EA |
| 09CB3002 | CB W/1.38 LEAD HOLE FOR 37, 39, 307 & 30 | 1.000 EA |
| 09GS1000 | GASKET-CONDUIT BOX, 1/16 THICK LEXIDE | 1.000 EA |
| 10XN2520K12 | 1/4-20 X.75 GRD 5 | 2.000 EA |
| HW1001A25 | LOCKWASHER 1/4, ZINC PLT .493 OD, .255 I | 2.000 EA |
| WD1000B17 | T&B CX35TN TERMINAL | 1.000 EA |
| 11XW1032G06 | 10-32 X .38, TAPTITE II, HEX WSHR SLTD U | 1.000 EA |
| 09EP1100A198 | ENDPLATE, MACH | 1.000 EA |
| XY3816A12 | 3/8-16 FINISHED NUT | 4.000 EA |
| HW1001A38 | LOCKWASHER 3/8, ZINC PLT .688 OD, .382 I | 4.000 EA |
| 09FH1000 | FAN COVER,CAST W/E-COAT | 1.000 EA |
| 09CB3501 | CONDUIT BOX LID FOR 09CB3001 & 09CB3002 | 1.000 EA |
| 09GS1013 | 09 GS FOR 09CB3501 LID - LEXIDE | 1.000 EA |
| HW5100A08 | W3118-035 WVY WSHR (WB) | 1.000 EA |
| 09EP1101A144 | PU ENDPLATE, MACH W/NO GREASER HOLES | 1.000 EA |
| HW4600B44 | V-RING SLINGER 1.500 X 1.810 X .28 VITON | 1.000 EA |
| HW4600A51 | SEAL 1.688 X 2.686 X 0.313 SINGLE LIP-CR | 1.000 EA |
| 10XN2520K36 | 1/4-20 X 2.25" HX HD SCRWGRADE 5, ZINC P | 4.000 EA |
| HW1001A25 | LOCKWASHER 1/4, ZINC PLT .493 OD, .255 I | 4.000 EA |
| HA3113A05 | THRUBOLT 3/8 - 16 X 17.250 | 4.000 EA |
| HW1001A38 | LOCKWASHER 3/8, ZINC PLT .688 OD, .382 I | 4.000 EA |
| HA2081A05 | SPACER TUBE, 309 FAN HSG, 2.00 LONG | 4.000 EA |
| XY3816A12 | 3/8-16 FINISHED NUT | 4.000 EA |

| Parts List (continued) | | |
|-------------------------------|--|-----------------|
| Part Number | Description | Quantity |
| HW1001A38 | LOCKWASHER 3/8, ZINC PLT .688 OD, .382 I | 4.000 EA |
| 51XW2520A12 | .25-20 X .75, TAPTITE II, HEX WSHR SLTD | 2.000 EA |
| HW2501G25 | KEY, 3/8 SQ X 2.875 | 1.000 EA |
| LB1115N | LABEL,LIFTING DEVICE (ON ROLLS) | 1.000 EA |
| MN416A01 | TAG-INSTAL-MAINT no wire (1000/bx) 11/14 | 1.000 EA |
| HA4066A01 | PUSH IN T-DRAIN FITTING (BLACK) | 1.000 EA |
| MJ1000A02 | GREASE, POLYREX EM EXXON (USe 4824-15A) | 0.080 LB |
| HA4066A01 | PUSH IN T-DRAIN FITTING (BLACK) | 1.000 EA |
| 09FN3001D01 | EXTERNAL FAN, PLASTIC | 1.000 EA |
| HW2500A25 | WOODRUFF KEY USA #1008 #BLOW CARBON STEE | 1.000 EA |
| 51XB1214A20 | 12-14X1.25 HXWSSLD SERTYB | 1.000 EA |
| MG1025C02 | WILKOFASST SG, 787.105, TAN | 0.050 GA |
| 85XU0407S04 | 4X1/4 U DRIVE PIN STAINLESS | 2.000 EA |
| LB1119N | WARNING LABEL | 1.000 EA |
| LC0005 | CONN.DIA.,TY M,9-LD,DUAL VOLT,REVERSING | 1.000 EA |
| NP3126L | ALUM FARM DUTY SUPER-E UL CSA-EEV PREM | 1.000 EA |
| 09PA1000 | PACKAGING GROUP COMBINED PRINT | 1.000 EA |

AC Induction Motor Performance Data

Record # 40347 - Typical performance - not guaranteed values

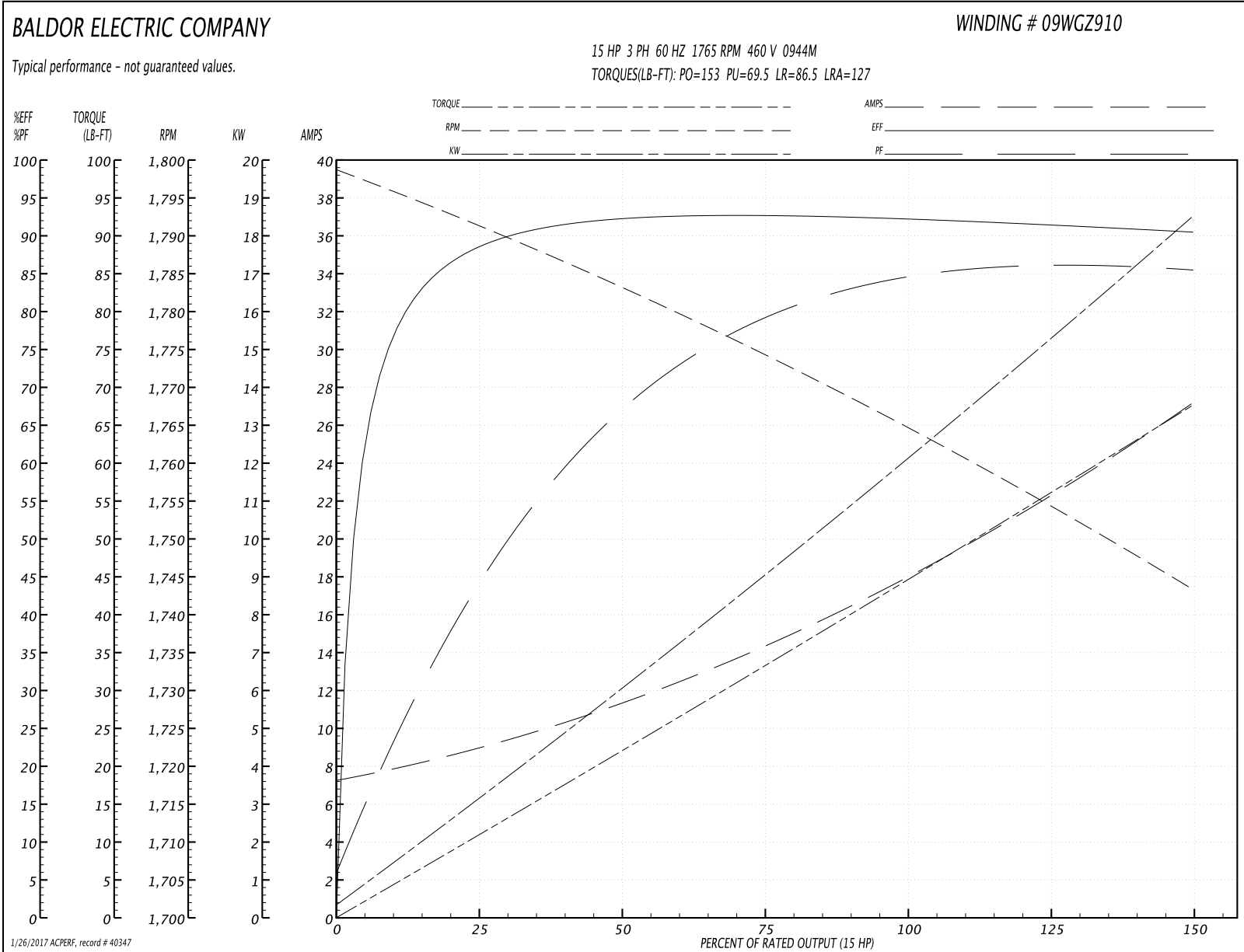
| | | |
|-------------------------------|--------------------|------------------------|
| Winding: 09WGZ910-R001 | Type: 0944M | Enclosure: TEFC |
|-------------------------------|--------------------|------------------------|

| Nameplate Data | | | | 460 V, 60 Hz: High Voltage Connection | |
|-----------------------|--------------|--------------|----|--|-------------------------|
| Rated Output (HP) | 15 | | | Full Load Torque | 44.5 LB-FT |
| Volts | 230/460 | | | Start Configuration | direct on line |
| Full Load Amps | 36.2/18.1 | | | Breakdown Torque | 153 LB-FT |
| R.P.M. | 1765 | | | Pull-up Torque | 69.5 LB-FT |
| Hz | 60 | Phase | 3 | Locked-rotor Torque | 86.5 LB-FT |
| NEMA Design Code | A | KVA Code | H | Starting Current | 127 A |
| Service Factor (S.F.) | 1.15 | | | No-load Current | 7.56 A |
| NEMA Nom. Eff. | 92.4 | Power Factor | 83 | Line-line Res. @ 25°C | 0.59555 Ω |
| Rating - Duty | 40C AMB-CONT | | | Temp. Rise @ Rated Load | 54°C |
| S.F. Amps | | | | Temp. Rise @ S.F. Load | 67°C |
| | | | | Locked-rotor Power Factor | 33.1 |
| | | | | Rotor inertia | 1.92 LB-FT ² |

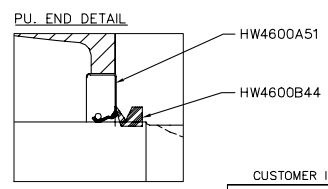
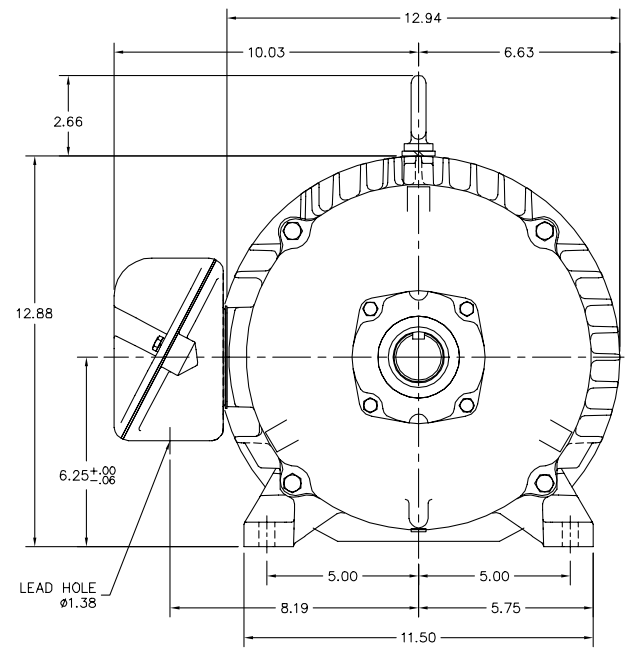
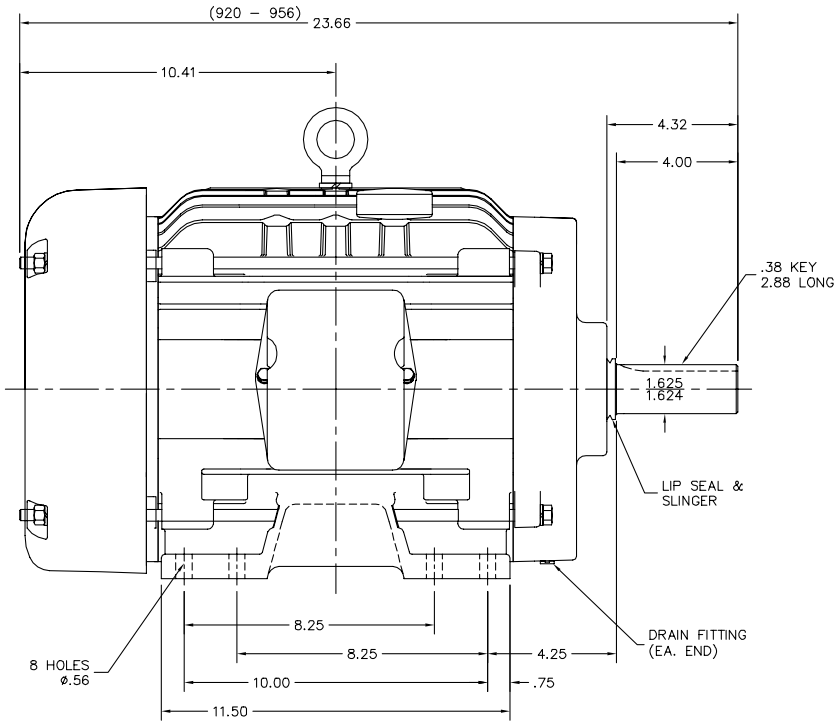
Load Characteristics 460 V, 60 Hz, 15 HP

| % of Rated Load | 25 | 50 | 75 | 100 | 125 | 150 | S.F. |
|-----------------|--------|--------|------|--------|--------|--------|------|
| Power Factor | 45 | 69 | 79 | 83 | 85 | 87 | 84 |
| Efficiency | 88.2 | 92.2 | 92.7 | 92.4 | 91.5 | 90.4 | 91.9 |
| Speed | 1791.3 | 1783.1 | 1774 | 1765.2 | 1754.6 | 1743.1 | 1759 |
| Line amperes | 8.62 | 11 | 14.5 | 18.1 | 22.6 | 26.9 | 20.8 |

Performance Graph at 460V, 60Hz, 15.0HP Typical performance - Not guaranteed values



09LYK989



CUSTOMER IS RESPONSIBLE FOR DETERMINING THAT BALDOR'S PRODUCT WILL PERFORM SUITABLY IN THE INTENDED APPLICATION.

| | | | | |
|---------------------------|------------------------------|-------------------|--|---|
| REV. DESC: REMOVE LOCKNUT | | TDR: 000000952626 | | BALDOR HORZ TEFC 254-6T W/SLD BRGS, LIP SEAL & SLINGER (FARM DUTY) SH 1 of 1 |
| REV. LTR: C | VERSION: 03 | | | |
| FILE: \AAA\00205\471 | REVISED: 04:15:34 11/09/2015 | BY: ENMARSO | | |
| MTL: - | | | | |

09LYK989

CD0005

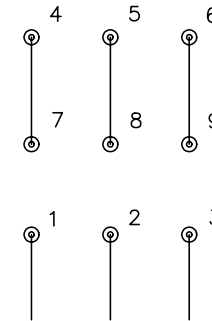


LOW VOLTAGE
(2Y)



LINE

HIGH VOLTAGE
(1Y)



LINE

NOTES:

1. INTERCHANGE ANY TWO LINE LEADS TO REVERSE ROTATION.
2. OPTIONAL THERMOSTATS ARE PROVIDED WHEN SPECIFIED.
3. ACTUAL NUMBER OF INTERNAL PARALLEL CIRCUITS MAY BE A MULTIPLE OF THOSE SHOWN ABOVE.
4. LEAD COLORS ARE OPTIONAL. LEADS MUST ALWAYS BE NUMBERED AS SHOWN.

| | | | |
|---|---------|-------------------------|--------------|
| REV. DESC: REVISE TO SHOW OPTIONAL COLORS | | | |
| REV. LTR: E | BY: JLP | REVISED: 01/19/99 10:15 | TDR: 0171435 |
| 9000D | | FILE: AAA00005140 | MDL: - |
| | | MTL: - | |

BALDOR ELECTRIC Co.

3PH, DV, 9 LEADS

CD0005

Marketing maintained PDF of MN416:

<http://www.baldor.com/support/Literature/Load.ashx/MN416?ManNumber=MN416>