

# **BALDOR**® • **RELIANCE**

## **Product Information Packet**

# **JML1508T**

**5HP,1745RPM,1PH,60HZ,213JM,3727L,OPSB,F1**

| Part Detail |                     |                |       |             |          |               |            |
|-------------|---------------------|----------------|-------|-------------|----------|---------------|------------|
| Revision:   | P                   | Status:        | PRD/A | Change #:   |          | Proprietary:  | No         |
| Type:       | AC                  | Prod. Type:    | 3727L | Elec. Spec: | 37WGT912 | CD Diagram:   | CD0017A01  |
| Enclosure:  | OPSB                | Mfg Plant:     |       | Mech. Spec: | 37K238   | Layout:       | 37LYK238   |
| Frame:      | 213JM               | Mounting:      | F1    | Poles:      | 04       | Created Date: | 06-22-2006 |
| Base:       | RG                  | Rotation:      | R     | Insulation: | B        | Eff. Date:    | 09-14-2015 |
| Leads:      | 2#12 A PH,2#14 B PH |                |       |             |          | Replaced By:  |            |
| Literature: |                     | Elec. Diagram: |       |             |          |               |            |

| Nameplate NP1256L |                |  |      |    |     |      |  |       |    |   |
|-------------------|----------------|--|------|----|-----|------|--|-------|----|---|
| CAT.NO.           | JML1508T       |  |      |    |     |      |  |       |    |   |
| SPEC.             | 37K238T912     |  |      |    |     |      |  |       |    |   |
| HP                | 5              |  |      |    |     |      |  |       |    |   |
| VOLTS             | 230            |  |      |    |     |      |  |       |    |   |
| AMP               | 27             |  |      |    |     |      |  |       |    |   |
| RPM               | 1725           |  |      |    |     |      |  |       |    |   |
| FRAME             | 213JM          |  |      |    | HZ  | 60   |  |       | PH | 1 |
| SER.F.            | 1.15           |  | CODE | G  | DES | L    |  | CLASS | B  |   |
| NEMA-NOM-EFF      | 77             |  | PF   | 78 |     |      |  |       |    |   |
| RATING            | 40C AMB-CONT   |  |      |    |     |      |  |       |    |   |
| CC                | USABLE AT 208V |  |      |    |     |      |  |       |    |   |
| DE                | 6309           |  |      |    | ODE | 6206 |  |       |    |   |
| ENCL              | OPSB           |  | SN   |    |     |      |  |       |    |   |

| Parts List  |  |          |
|-------------|--|----------|
| Part Number | Description                              | Quantity |
| SA144483    | SA 37K238T912                            | 1.000 EA |
| RA133672    | RA 37K238T912                            | 1.000 EA |
| 37CB3006    | 37 CB CASTING W/1.38 LEAD HOLE @ 6:00    | 1.000 EA |
| 51XW2520A10 | .25-20 X .62, TAPTITE II, HEX WSHR SLTD  | 2.000 EA |
| 11XW1032G06 | 10-32 X .38, TAPTITE II, HEX WSHR SLTD U | 1.000 EA |
| 37FE3200A15 | FR ENDPLATE MACH                         | 1.000 EA |
| HW4500A01   | 1641B(ALEMITE)400 UNIV, GREASE FITT      | 1.000 EA |
| HW4500A17   | 317400 ALEMITE GREASE RELIEF             | 1.000 EA |
| HA1104A01   | RODENT SCREEN 37 FRAME 206 BRG FRONT END | 1.000 EA |
| 51XW1032A06 | 10-32 X .38, TAPTITE II, HEX WSHR SLTD S | 4.000 EA |
| HW1000A10   | #10 FLAT WASHER (SAE)                    | 4.000 EA |
| HW1000A10   | #10 FLAT WASHER (SAE)                    | 4.000 EA |
| 37AD2005    | BAFFLE PLATE, FOR OPSB 1 PHASE           | 1.000 EA |
| SP1008A01   | BAFFLE, MODEL 36 & 37                    | 1.000 EA |
| 13XF0832A08 | 8-32 X.50 PAN HD,SLTD, TYPE F SCREW, ZIN | 2.000 EA |
| 10XN2520A10 | 1/4-20X 5/8 HEX HD X                     | 2.000 EA |
| HW1001A25   | LOCKWASHER 1/4, ZINC PLT .493 OD, .255 I | 2.000 EA |
| XY3118A12   | 5/16-18 HEX NUT DIRECTIONAL SERRATION    | 4.000 EA |
| HW5100A06   | W2420-025 WVY WSHR (WB)                  | 1.000 EA |
| 37EP3401A12 | PUEP W/GRS, REL, SLINGER MF, NO BAFFLE   | 1.000 EA |
| HW4500A01   | 1641B(ALEMITE)400 UNIV, GREASE FITT      | 1.000 EA |
| HW4500A17   | 317400 ALEMITE GREASE RELIEF             | 1.000 EA |
| HA1222      | RODENT SCREEN - 37 C-FACE MOTORS         | 1.000 EA |
| 51XW1032A06 | 10-32 X .38, TAPTITE II, HEX WSHR SLTD S | 4.000 EA |

| Parts List (continued) |  |          |
|------------------------|--|----------|
| Part Number            | Description                              | Quantity |
| 10XN2520A36            | 1/4-20X 2 1/4 HEX HD X                   | 4.000 EA |
| HW1001A25              | LOCKWASHER 1/4, ZINC PLT .493 OD, .255 I | 4.000 EA |
| 37CB4516               | LIPPED LID FOR 37 FRAME NEC KOBX         | 1.000 EA |
| 51XW0832A07            | 8-32 X .44, TAPTITE II, HEX WSHR SLTD SE | 4.000 EA |
| HW4600A73              | SLINGER 1.748 X 2.375 X 0.250 FACE SEAL  | 1.000 EA |
| 37CB5006A01            | CAPACITOR BOX KIT, 37CB3802, 2 EC1216C0  | 1.000 EA |
| HW2501D13              | KEY, 3/16 SQ X 1.375                     | 1.000 EA |
| HA7000A01              | KEY RETAINER 7/8" DIA SHAFT              | 1.000 EA |
| 85XU0407S04            | 4X1/4 U DRIVE PIN STAINLESS              | 2.000 EA |
| MJ1000A02              | GREASE, POLYREX EM EXXON (USe 4824-15A)  | 0.050 LB |
| SP5172A01              | 37 TYPE L TORQ STAT SWITCH LEAD ASSEMBLY | 1.000 EA |
| WD1000A15              | 3-520132-2 AMP FLAG (4M/RL NON-CANC/NON- | 4.000 EA |
| 51XW0832A07            | 8-32 X .44, TAPTITE II, HEX WSHR SLTD SE | 2.000 EA |
| 37AD2001A01            | BAFFLE PLATE, STAMPED                    | 1.000 EA |
| HA3104A14              | THRUBOLT- 5/16-18 X12.125(OHIO)          | 4.000 EA |
| MG1000G27              | MED CHARCOAL METALLIC GREY 400-0096      | 0.028 GA |
| LB1119N                | WARNING LABEL                            | 1.000 EA |
| LC0017                 | CONN LABEL-1 PHASE-SINGLE VOLT-REV ROTNO | 1.000 EA |
| NP1256L                | ALUM UL CSA CC                           | 1.000 EA |
| G0PA1000               | PKG GRP, PRINT PK1026A06                 | 1.000 EA |
| MN416A01               | TAG-INSTAL-MAINT no wire (1200/bx) 11/14 | 1.000 EA |

**AC Induction Motor Performance Data**

Record # 37146 - Typical performance - not guaranteed values

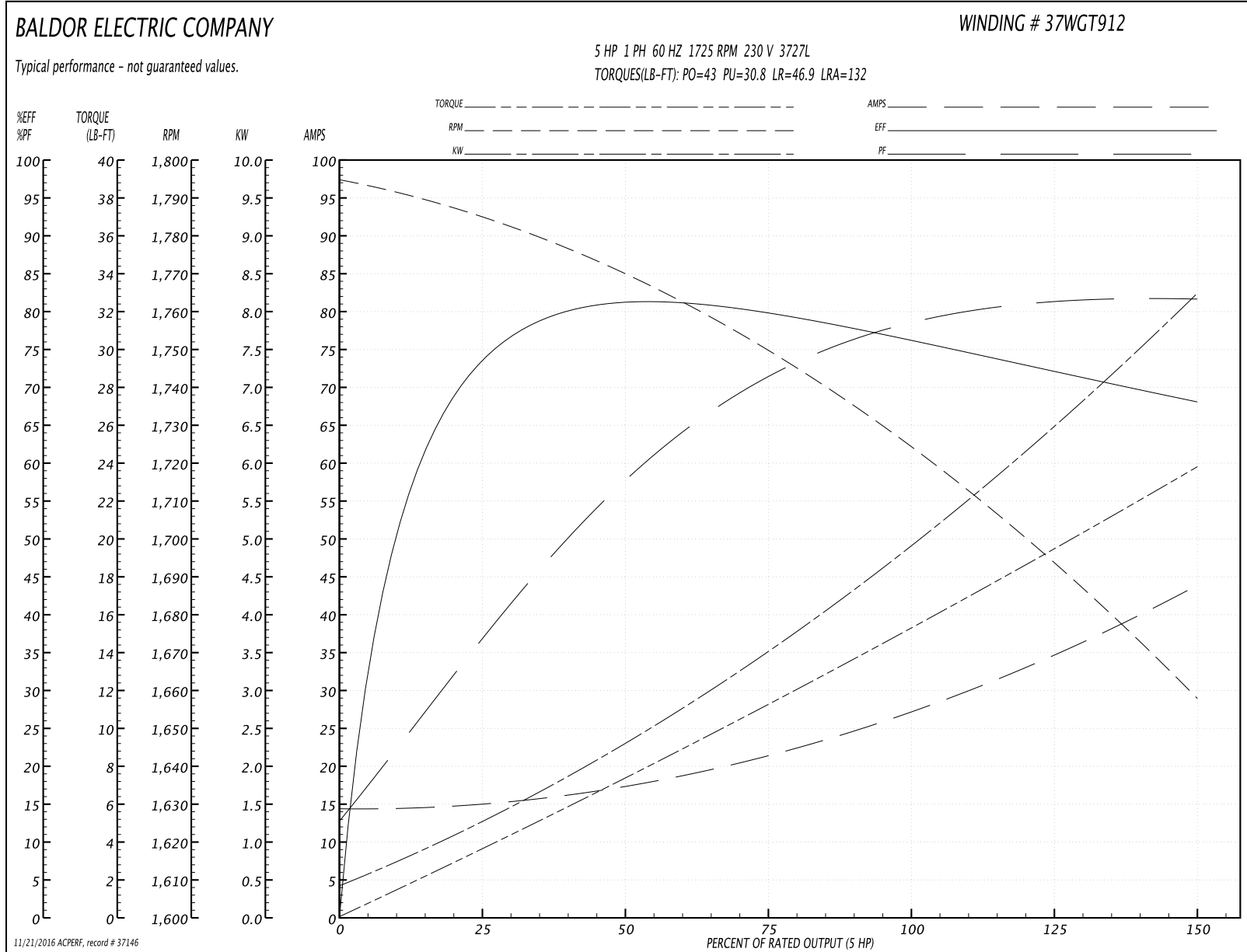
|                               |                    |                        |
|-------------------------------|--------------------|------------------------|
| <b>Winding:</b> 37WGT912-R001 | <b>Type:</b> 3727L | <b>Enclosure:</b> OPSB |
|-------------------------------|--------------------|------------------------|

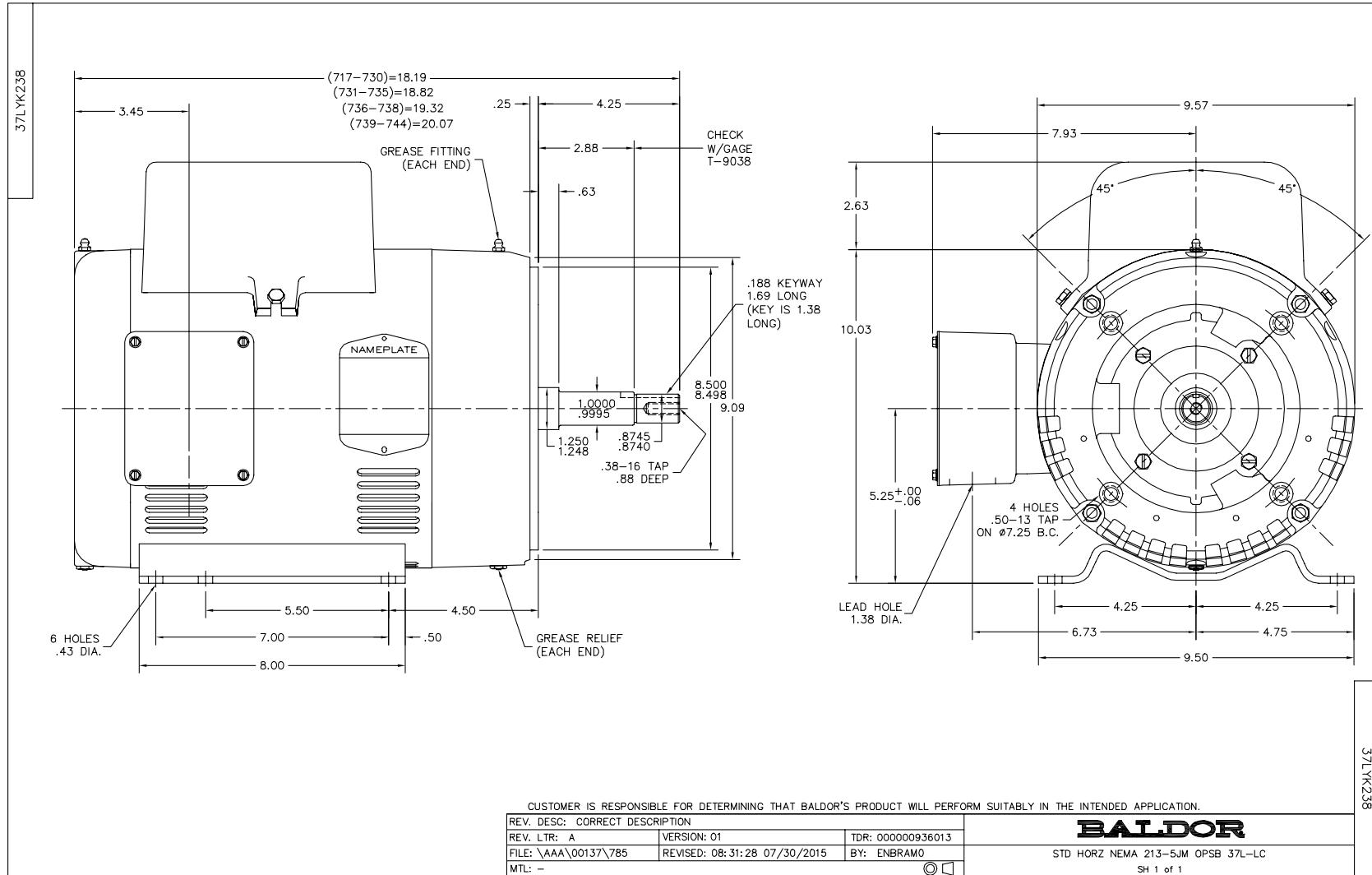
| Nameplate Data        |              |              |    | 230 V, 60 Hz:<br>Single Voltage Motor |                             |
|-----------------------|--------------|--------------|----|---------------------------------------|-----------------------------|
| Rated Output (HP)     | 5            |              |    | Full Load Torque                      | 15.3 LB-FT                  |
| Volts                 | 230          |              |    | Start Configuration                   | direct on line              |
| Full Load Amps        | 27           |              |    | Breakdown Torque                      | 43 LB-FT                    |
| R.P.M.                | 1725         |              |    | Pull-up Torque                        | 30.8 LB-FT                  |
| Hz                    | 60           | Phase        | 1  | Locked-rotor Torque                   | 46.9 LB-FT                  |
| NEMA Design Code      | L            | KVA Code     | G  | Starting Current                      | 132 A                       |
| Service Factor (S.F.) | 1.15         |              |    | No-load Current                       | 14.3 A                      |
| NEMA Nom. Eff.        | 77           | Power Factor | 78 | Line-line Res. @ 25°C                 | 0.352 Ω A Ph<br>1.48 Ω B Ph |
| Rating - Duty         | 40C AMB-CONT |              |    | Temp. Rise @ Rated Load               | 68°C                        |
| S.F. Amps             |              |              |    | Temp. Rise @ S.F. Load                | 81°C                        |

Load Characteristics 230 V, 60 Hz, 5 HP

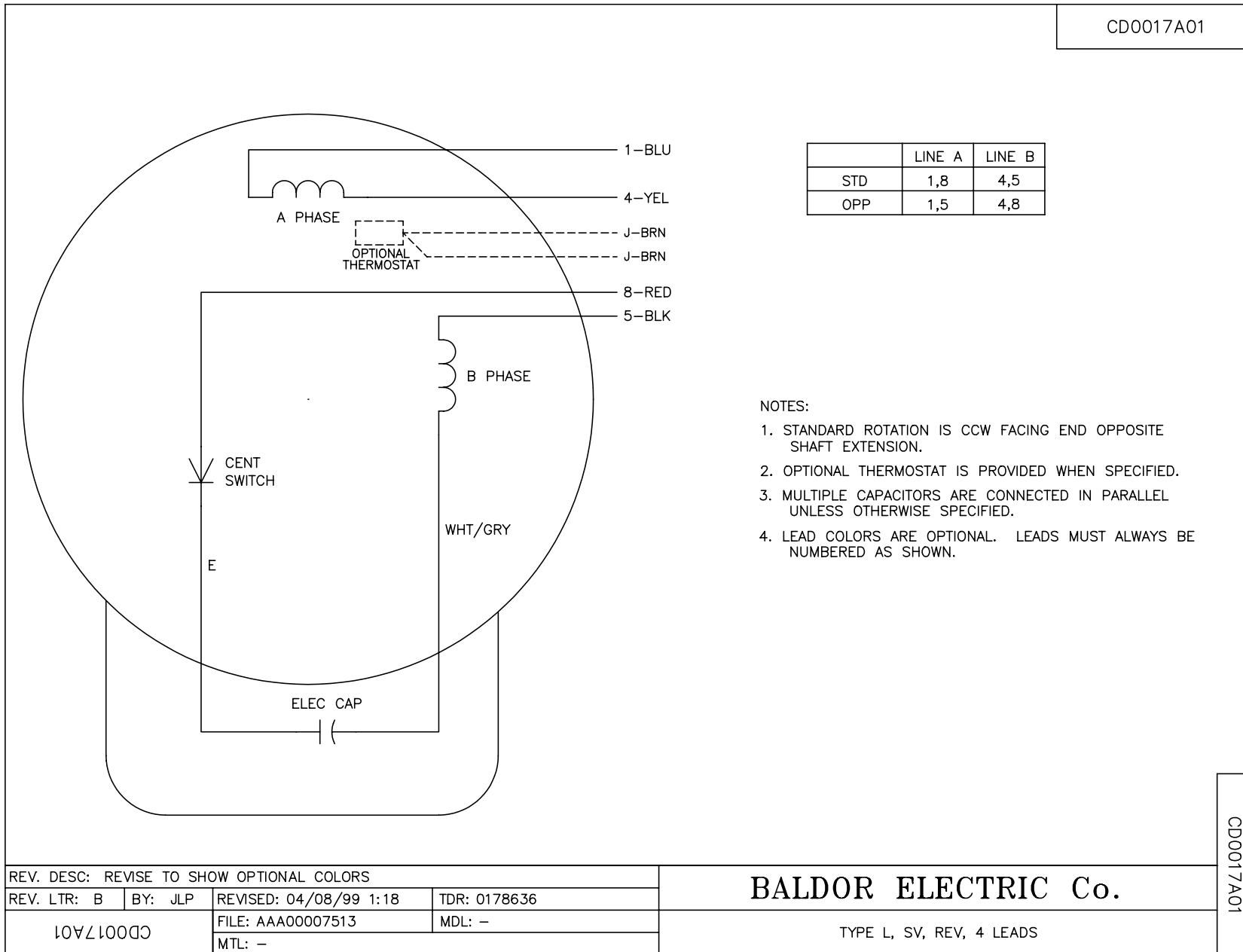
| % of Rated Load | 25   | 50   | 75   | 100  | 125  | 150  | S.F. |
|-----------------|------|------|------|------|------|------|------|
| Power Factor    | 38   | 58   | 72   | 78   | 81   | 82   | 80   |
| Efficiency      | 71.2 | 79.4 | 78   | 77.3 | 74   | 67.1 | 75.3 |
| Speed           | 1781 | 1766 | 1749 | 1728 | 1699 | 1653 | 1711 |
| Line amperes    | 14.9 | 17.5 | 21.9 | 27.1 | 33.9 | 44.4 | 31.2 |

Performance Graph at 230V, 60Hz, 5.0HP Typical performance - Not guaranteed values





CDO017A01



CDO017A01

|   |         |                        |              |
|---|---------|------------------------|--------------|
| REV. DESC: REVISE TO SHOW OPTIONAL COLORS |         |                        |              |
| REV. LTR: B                               | BY: JLP | REVISED: 04/08/99 1:18 | TDR: 0178636 |
| CDO017A01                                 |         | FILE: AAA00007513      | MDL: -       |
|   |         | MTL: -                 |              |

**BALDOR ELECTRIC Co.**

TYPE L, SV, REV, 4 LEADS