

BALDOR® • ***RELIANCE***

Product Information Packet

JMSSEWDM3714T

10HP,1770RPM,3PH,60HZ,215JM,3756M,TEFC,F

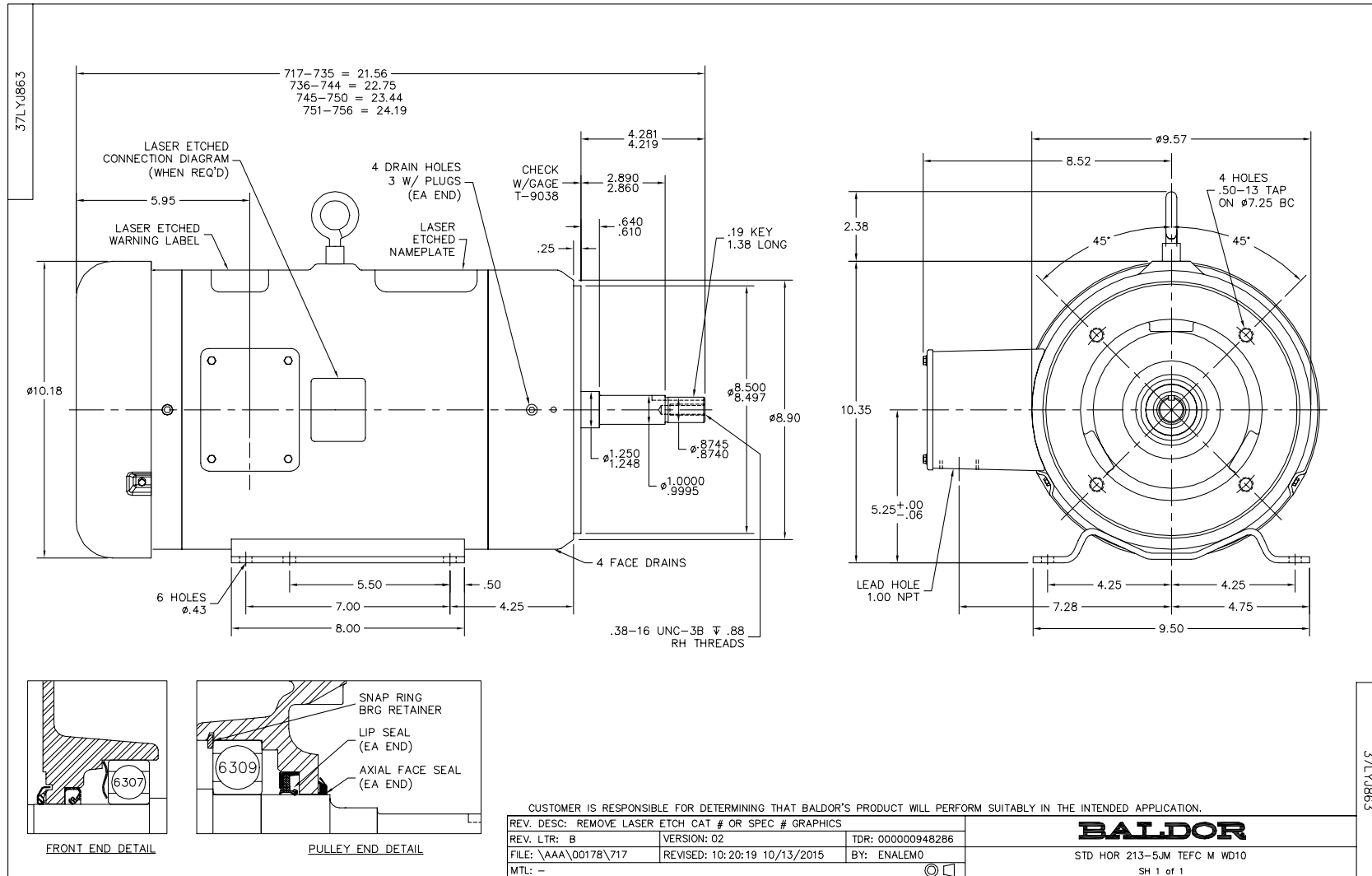
Part Detail							
Revision:	L	Status:	PRD/A	Change #:		Proprietary:	No
Type:	AC	Prod. Type:	3756M	Elec. Spec:	37WGS251	CD Diagram:	CD0180
Enclosure:	TEFC	Mfg Plant:		Mech. Spec:	37J863	Layout:	37LYJ863
Frame:	215JM	Mounting:	F1	Poles:	04	Created Date:	01-25-2011
Base:	RG	Rotation:	R	Insulation:	H	Eff. Date:	06-08-2016
Leads:	9#14					Replaced By:	
Literature:		Elec. Diagram:					

Nameplate NP1953C02										
CAT.NO.	JMSSEWDM3714T									
SPEC.	37J863S251G1									
HP	10									
VOLTS	230/460									
AMP	25/12.5									
RPM	1770									
FRAME	215JM				HZ	60			PH	3
SER.F.	1.15		CODE	K	DES	B		CLASS	H	
NEMA-NOM-EFF	92.4		PF	81						
RATING	40C AMB-CONT									
CC	010A				USABLE AT 208V			26.7		
DE	6309				ODE	6307				
ENCL	TEFC		SN							

Parts List		
Part Number	Description	Quantity
SA245069	SA 37J863S251G1	1.000 EA
RA231956	RA 37J863S251G1	1.000 EA
37FN3002B01	EXFN, PLASTIC, 7.50 OD, 1.155 ID	1.000 EA
HW3200S01	EYEBOLT 3/8-16 X3/4 S.S. TDR #35988	1.000 EA
11XW1032G06	10-32 X .38, TAPTITE II, HEX WSHR SLTD U	1.000 EA
37FE1910A06	FREP TEFC 307 BRG NO GRSR W/SEAL 4X.125N	1.000 EA
RM1070A48	O-RING, .070 C.S. X 8.656 ID, VITON	1.000 EA
HW4600F34	35MM X 53MM X 4.5MM, VITON FACE SEAL	1.000 EA
HW4500A33	1/8 NPT STAINLESS,HOLO-KROME #13002,PRES	3.000 EA
HW5100A08	W3118-035 WVY WSHR (WB)	1.000 EA
37PE1911A13	PUEP 213-5T 309 LKD BRG NO GRSR W/SEAL,	1.000 EA
RM1070A48	O-RING, .070 C.S. X 8.656 ID, VITON	1.000 EA
HW4600F80	45MM X 62MM X 4.5MM,VITON FACE SEAL AFS	1.000 EA
HW4500A33	1/8 NPT STAINLESS,HOLO-KROME #13002,PRES	3.000 EA
RM1070A47	O-RING, -011 VITON, .070 C.S. X .312 ID	4.000 EA
51XB1214A20	12-14X1.25 HXWSSLD SERTYB	1.000 EA
37FH4000A45	STAINLESS FAN COVER, NO GREASER SLOT (FO	1.000 EA
10XN1032S06	HEX HD CAP SCREW, SS	3.000 EA
36CB4517	LIPPED CB LID #304 STAINLESS - CLEANED	1.000 EA
37GS3010	1/16"WHITE LID GASKET	1.000 EA
59XN0832S07	8/32 X 7/16 HX WS HD SER X	4.000 EA
HW2502D13	SS KEY, 3/16 SQ X 1.375	1.000 EA
HA7000A01	KEY RETAINER 7/8" DIA SHAFT	1.000 EA
MJ5001A27	32220KN GRAY SEALER *MIN BUY 4 QTS=1GAL	0.005 QT

Parts List (continued)		
Part Number	Description	Quantity
MJ5004A37	#76732 LOCTITE ANTISEIZE THRD COMPOUND	0.005 EA
HA5027A02	HA4054 T-DRAIN X2 BAGGED WITH LABEL	1.000 EA
MJ1000A02	GREASE, POLYREX EM EXXON (USe 4824-15A)	0.050 LB
WD5603A01	KIT, CLOSED-END LEAD SPLICE (18-14GA)	1.000 EA
HA3104S25	THRUBOLT-5/16-18X14.75 SS	4.000 EA
37PA1039	PALLET PACK GROUP, BLANK PK1148	1.000 EA
MN416A01	TAG-INSTAL-MAINT no wire (1200/bx) 11/14	1.000 EA
HA5027A07	85XU1208S08 FACE DRAIN PINS BAGGED	1.000 EA

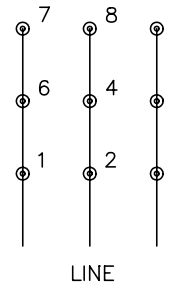
No performance data has been
assigned to this product.



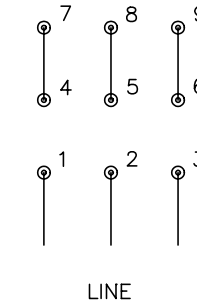
CD0180



LOW VOLTAGE
(2D)



HIGH VOLTAGE
(1D)



NOTES:

1. INTERCHANGE ANY TWO LINE LEADS TO REVERSE ROTATION.
2. OPTIONAL THERMOSTATS ARE PROVIDED WHEN SPECIFIED.
3. ACTUAL NUMBER OF INTERNAL PARALLEL CIRCUITS MAY BE A MULTIPLE OF THOSE SHOWN ABOVE.
4. LEAD COLORS ARE OPTIONAL. LEADS MUST ALWAYS BE NUMBERED AS SHOWN.

REV. DESC: REVISE TO SHOW OPTIONAL COLORS			
REV. LTR: C	BY: JLP	REVISED: 01/21/99 2:28	TDR: 0171435
0810D0		FILE: AAA00005148	MDL: -
		MTL: -	

BALDOR ELECTRIC Co.

3PH, DV, 9 LEADS, DELTA CONNECTION

CD0180