

BALDOR® • **RELIANCE**

Product Information Packet

L1508T

5HP,1745RPM,1PH,60HZ,213T,3727L,OPSB,F1

Part Detail							
Revision:	P	Status:	PRD/A	Change #:		Proprietary:	No
Type:	AC	Prod. Type:	3727L	Elec. Spec:	37WGT912	CD Diagram:	CD0017A01
Enclosure:	OPSB	Mfg Plant:		Mech. Spec:	37K214	Layout:	37LYK214
Frame:	213T	Mounting:	F1	Poles:	04	Created Date:	03-08-2006
Base:	RG	Rotation:	R	Insulation:	B	Eff. Date:	01-28-2016
Leads:	2#12 A PH,2#14 B PH					Replaced By:	
Literature:		Elec. Diagram:					

Nameplate NP1256L										
CAT.NO.	L1508T									
SPEC.	37K214T912									
HP	5									
VOLTS	230									
AMP	27									
RPM	1725									
FRAME	213T				HZ	60			PH	1
SER.F.	1.15		CODE	G	DES	L		CLASS	B	
NEMA-NOM-EFF	77		PF	78						
RATING	40C AMB-CONT									
CC									USABLE AT 208V	
DE	6307				ODE	6206				
ENCL	OPSB		SN							

Parts List		
Part Number	Description	Quantity
SA139962	SA 37K214T912	1.000 EA
RA129402	RA 37K214T912	1.000 EA
HA6361A01	LIFTING LUG FOR 37, 39 & 40 FRAME ZINC	2.000 EA
37CB3006	37 CB CASTING W/1.38 LEAD HOLE @ 6:00	1.000 EA
51XW2520A10	.25-20 X .62, TAPTITE II, HEX WSHR SLTD	2.000 EA
11XW1032G06	10-32 X .38, TAPTITE II, HEX WSHR SLTD U	1.000 EA
37EP3200A01SP	FR ENDPLATE, FOR ROUTING PURPOSES	1.000 EA
HW4500A01	1641B(ALEMITE)400 UNIV, GREASE FITT	1.000 EA
37AD2005	BAFFLE PLATE, FOR OPSB 1 PHASE	1.000 EA
SP1008A01	BAFFLE, MODEL 36 & 37	1.000 EA
13XF0832A08	8-32 X.50 PAN HD,SLTD, TYPE F SCREW, ZIN	2.000 EA
10XN2520A10	1/4-20X 5/8 HEX HD X	2.000 EA
HW1001A25	LOCKWASHER 1/4, ZINC PLT .493 OD, .255 I	2.000 EA
HW5100A06	W2420-025 WVY WSHR (WB)	1.000 EA
37PE3201A01	PU ENDPLATE ASSEMBLY FOR ROUTING	1.000 EA
HW4500A01	1641B(ALEMITE)400 UNIV, GREASE FITT	1.000 EA
XY3118A12	5/16-18 HEX NUT DIRECTIONAL SERRATION	4.000 EA
37CB4516	LIPPED LID FOR 37 FRAME NEC KOBX	1.000 EA
51XW0832A07	8-32 X .44, TAPTITE II, HEX WSHR SLTD SE	4.000 EA
HW2501F21	KEY, 5/16 SQ X 2.375	1.000 EA
HA7000A02	KEY RETAINER RING, 1 1/8 DIA, 1 3/8 DIA	1.000 EA
85XU0407S04	4X1/4 U DRIVE PIN STAINLESS	2.000 EA
LB1115N	LABEL,LIFTING DEVICE (ON ROLLS)	1.000 EA
37CB5006A01	CAPACITOR BOX KIT, 37CB3802, 2 EC1216C0	1.000 EA

Parts List (continued)		
Part Number	Description	Quantity
MJ1000A02	GREASE, POLYREX EM EXXON (USe 4824-15A)	0.050 LB
SP5172A01	37 TYPE L TORQ STAT SWITCH LEAD ASSEMBLY	1.000 EA
37AD2001A01	BAFFLE PLATE, STAMPED	1.000 EA
HA3104A39	THRUBOLT-5/16-18 X 12.250	4.000 EA
MG1000G27	MED CHARCOAL METALLIC GREY 400-0096	0.028 GA
LB1119N	WARNING LABEL	1.000 EA
LC0017	CONN LABEL-1 PHASE-SINGLE VOLT-REV ROTNO	1.000 EA
NP1256L	ALUM UL CSA CC	1.000 EA
36PA1001	PKG GRP, PRINT PK1017A06	1.000 EA
MN416A01	TAG-INSTAL-MAINT no wire (1200/bx) 11/14	1.000 EA

Accessories		
Part Number	Description	Multiplier
37-1404	C FACE KIT	A8

AC Induction Motor Performance Data
Record # 37146 - Typical performance - not guaranteed values

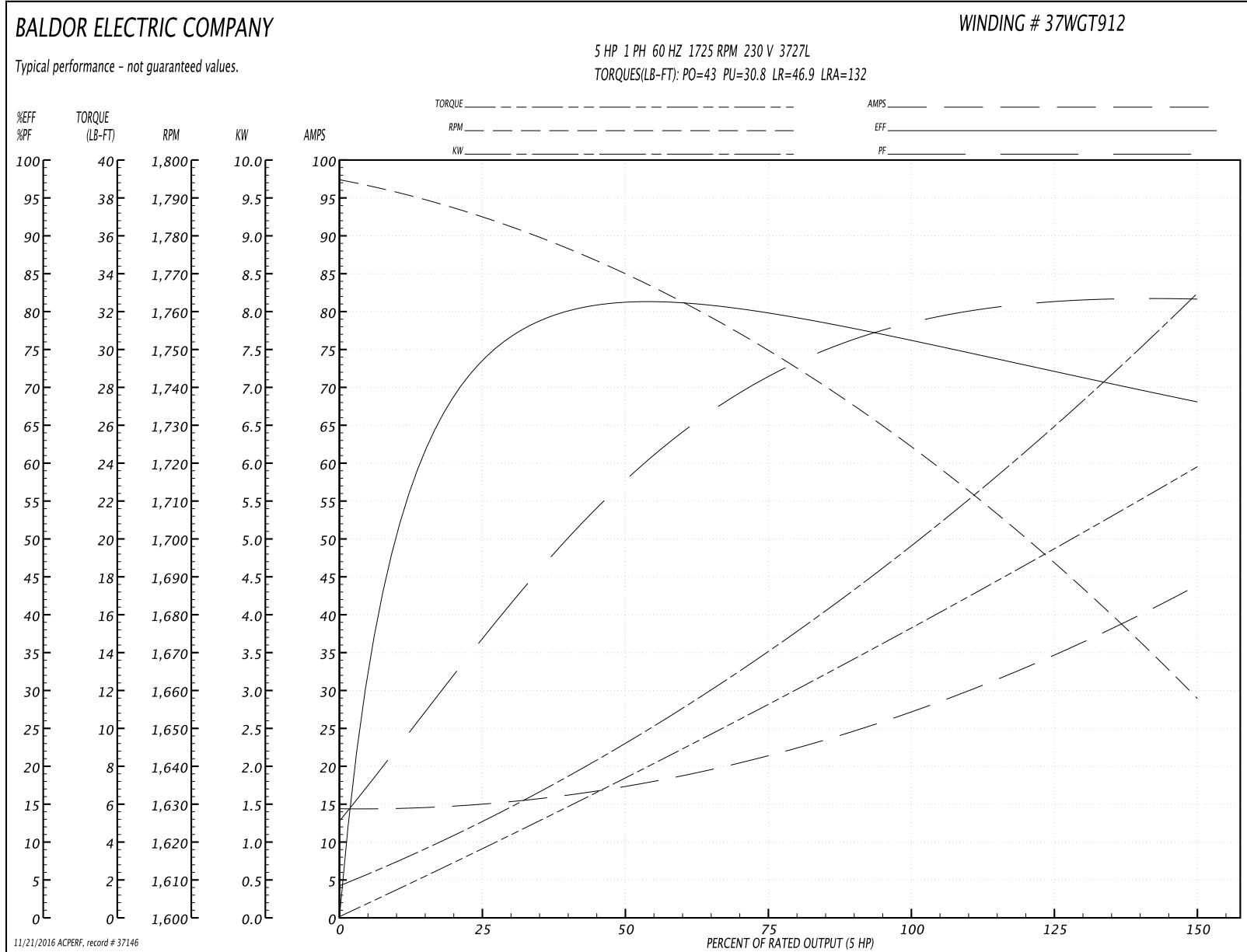
Winding: 37WGT912-R001	Type: 3727L	Enclosure: OPSB
-------------------------------	--------------------	------------------------

Nameplate Data				230 V, 60 Hz: Single Voltage Motor	
Rated Output (HP)	5			Full Load Torque	15.3 LB-FT
Volts	230			Start Configuration	direct on line
Full Load Amps	27			Breakdown Torque	43 LB-FT
R.P.M.	1725			Pull-up Torque	30.8 LB-FT
Hz	60	Phase	1	Locked-rotor Torque	46.9 LB-FT
NEMA Design Code	L	KVA Code	G	Starting Current	132 A
Service Factor (S.F.)	1.15			No-load Current	14.3 A
NEMA Nom. Eff.	77	Power Factor	78	Line-line Res. @ 25°C	0.352 Ω A Ph 1.48 Ω B Ph
Rating - Duty	40C AMB-CONT			Temp. Rise @ Rated Load	68°C
S.F. Amps				Temp. Rise @ S.F. Load	81°C

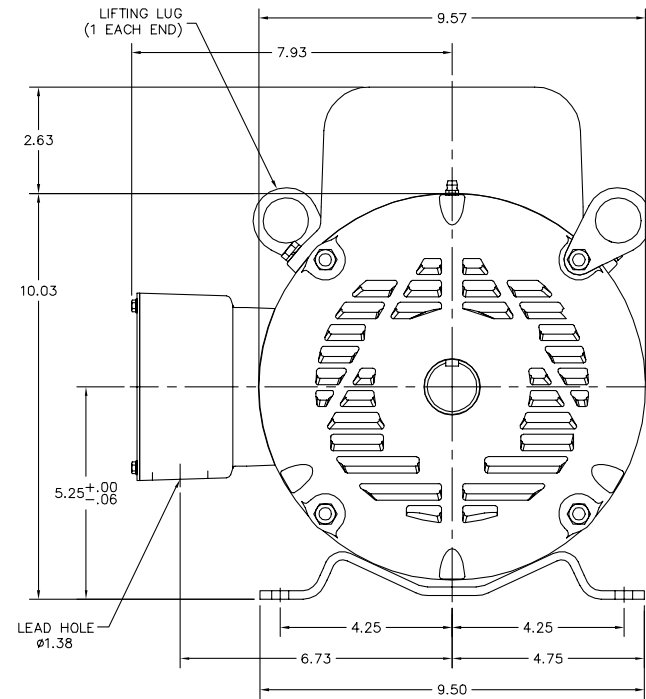
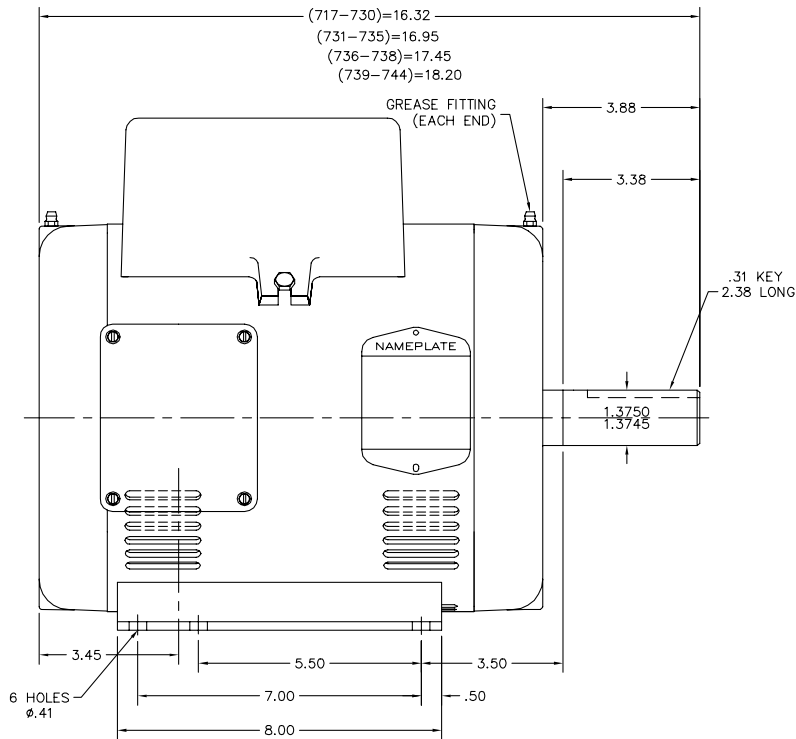
Load Characteristics 230 V, 60 Hz, 5 HP

% of Rated Load	25	50	75	100	125	150	S.F.
Power Factor	38	58	72	78	81	82	80
Efficiency	71.2	79.4	78	77.3	74	67.1	75.3
Speed	1781	1766	1749	1728	1699	1653	1711
Line amperes	14.9	17.5	21.9	27.1	33.9	44.4	31.2

Performance Graph at 230V, 60Hz, 5.0HP Typical performance - Not guaranteed values



37LYK214



CUSTOMER IS RESPONSIBLE FOR DETERMINING THAT MOTOR PERFORMANCE IS SUITABLE IN THE APPLICATION.

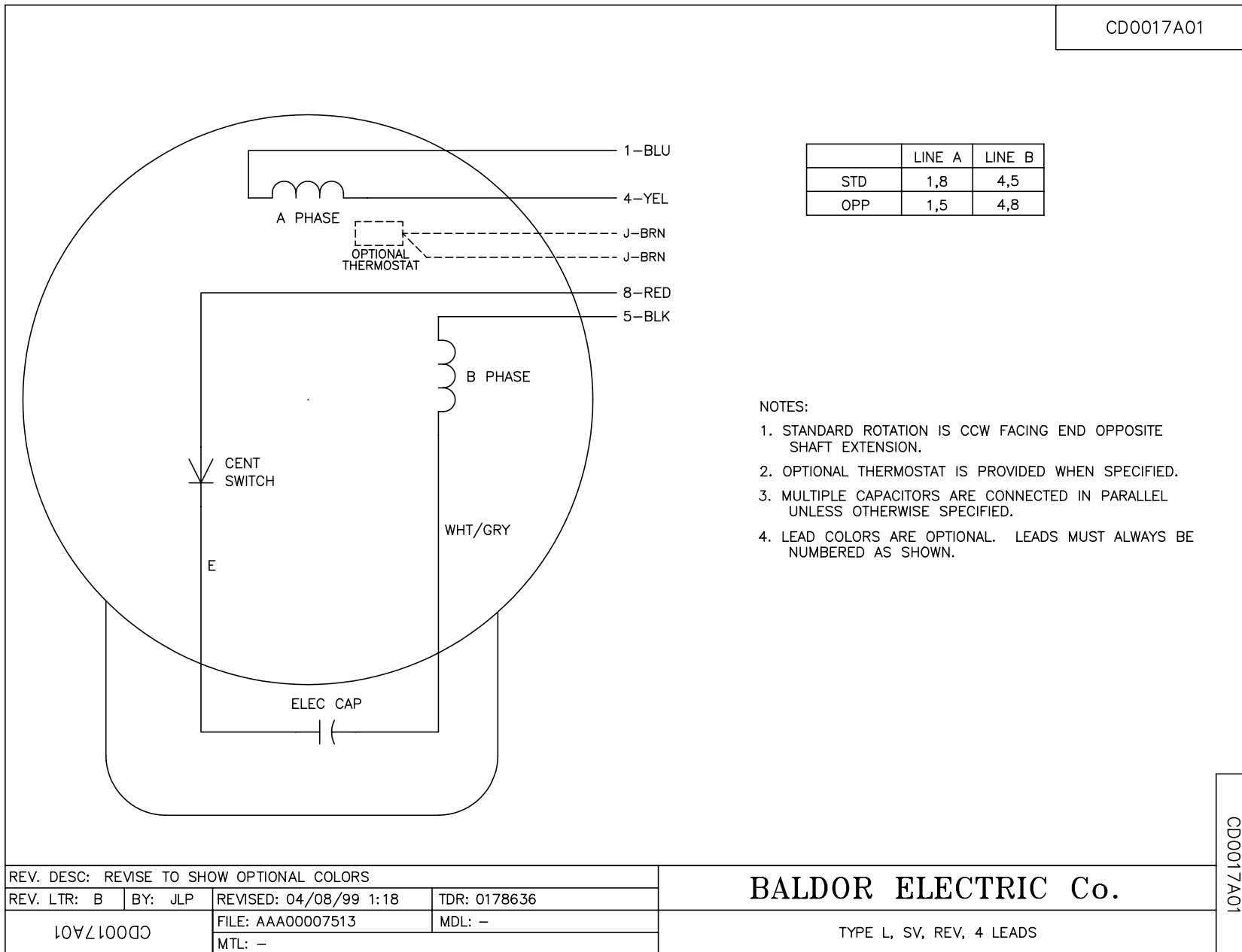
REV. DESC: RELEASE TO PRODUCTION		
REV. LTR: B	VERSION: 02	TDR: 000000395829
FILE: \AAA\00134\499	REVISED: 14:46:42 06/21/2006	BY: ENJASFO
MTL: -		

BALDOR ELECTRIC Co.

STD HORZ NEMA 213T-215T OPSB 37L-LC

37LYK214

CDO017A01



NOTES:

1. STANDARD ROTATION IS CCW FACING END OPPOSITE SHAFT EXTENSION.
2. OPTIONAL THERMOSTAT IS PROVIDED WHEN SPECIFIED.
3. MULTIPLE CAPACITORS ARE CONNECTED IN PARALLEL UNLESS OTHERWISE SPECIFIED.
4. LEAD COLORS ARE OPTIONAL. LEADS MUST ALWAYS BE NUMBERED AS SHOWN.

REV. DESC: REVISE TO SHOW OPTIONAL COLORS			
REV. LTR: B	BY: JLP	REVISED: 04/08/99 1:18	TDR: 0178636
CDO017A01		FILE: AAA00007513	MDL: -
		MTL: -	

BALDOR ELECTRIC Co.

TYPE L, SV, REV, 4 LEADS

CDO017A01