

BALDOR® • ***RELIANCE***

Product Information Packet

L3607

1HP,1140RPM,1PH,60HZ,184,3634L,TEFC,F1

Part Detail							
Revision:	Y	Status:	PRD/A	Change #:		Proprietary:	No
Type:	AC	Prod. Type:	3634L	Elec. Spec:	36WG0608	CD Diagram:	CD0001
Enclosure:	TEFC	Mfg Plant:		Mech. Spec:	36C011	Layout:	36LYC011
Frame:	184	Mounting:	F1	Poles:	06	Created Date:	
Base:	RG	Rotation:	R	Insulation:	B	Eff. Date:	09-10-2015
Leads:	6#16					Replaced By:	
Literature:		Elec. Diagram:					

Nameplate NP1256L												
CAT.NO.	L3607											
SPEC.	36C11-608											
HP	1											
VOLTS	115/230											
AMP	14/7											
RPM	1140											
FRAME	184					HZ	60			PH	1	
SER.F.	1.15					CODE	K		DES	L	CLASS	B
NEMA-NOM-EFF	67					PF	67					
RATING	40C AMB-CONT											
CC									USABLE AT 208V	7.4		
DE	6206					ODE	6205					
ENCL	TEFC					SN						

Parts List		
Part Number	Description	Quantity
SA034352	SA 36C11-608	1.000 EA
RA030380	RA 36C11-608	1.000 EA
36CB3004	36 CB CASTING W/1.09 DIA LEAD HOLE @ 6:0	1.000 EA
36GS1000	GASKET-CONDUIT BOX, .06 THICK #SV-330 LE	1.000 EA
51XB1016A08	10-16X 1/2HXWSSLD SERTYB	2.000 EA
11XW1032G06	10-32 X .38, TAPTITE II, HEX WSHR SLTD U	1.000 EA
HW3001B01	BRASS CUP WASHER, FOR #8 SCREW	1.000 EA
36FE3104A01	FREP MACH ASSEMBLY FOR ROUTING	1.000 EA
HW4500A01	1641B(ALEMITE)400 UNIV, GREASE FITT	1.000 EA
13XF0832A08	8-32 X.50 PAN HD,SLTD, TYPE F SCREW, ZIN	2.000 EA
NS2501A01	INSULATOR, CAPACITOR	1.000 EA
51XB1016A05	10-16X5/16HX WA SL SR TYB (F/S)	2.000 EA
HW5100A05	WVY WSHR F/205 & 304 BRGS	1.000 EA
36EP3100A01SP	PUEP ASSEMBLY FOR ROUTING PURPOSES	1.000 EA
HW4500A01	1641B(ALEMITE)400 UNIV, GREASE FITT	1.000 EA
XY2520A12	1/4-20 HEX NUT, DIRECTIONAL SERRATIONS	4.000 EA
51XB1214A16	12-14X1.00 HXWSSLD SERTYB	1.000 EA
36FH4009A102	IEC FH GREASER PRIMED	1.000 EA
51XW1032A06	10-32 X .38, TAPTITE II, HEX WSHR SLTD S	3.000 EA
36CB4516	36 LIPPED CB LID	1.000 EA
37GS1001	GASKET, CONDUIT BOX LID, .06 THICK LEXID	1.000 EA
51XW0832A07	8-32 X .44, TAPTITE II, HEX WSHR SLTD SE	4.000 EA
HW2501D13	KEY, 3/16 SQ X 1.375	1.000 EA
HA7000A01	KEY RETAINER 7/8" DIA SHAFT	1.000 EA

Parts List (continued)		
Part Number	Description	Quantity
85XU0407S04	4X1/4 U DRIVE PIN STAINLESS	2.000 EA
WD1000A15	3-520132-2 AMP FLAG (4M/RL NON-CANC/NON-	2.000 EA
MJ1000A02	GREASE, POLYREX EM EXXON (USe 4824-15A)	0.050 LB
36FN3000A01SP	EXFN, PLASTIC, 7.00 OD, .912 ID	1.000 EA
MG1000G27	MED CHARCOAL METALLIC GREY 400-0096	0.022 GA
EC1645A06SP	ELEC CAP, 645-774 MFD, 125V, 2.06D X 4.	1.000 EA
HA3101A25	THRUBOLT 1/4-20 X 11.000 OHIO ROD	4.000 EA
SP5172A09	37 TYPE L TORQ STAT SWITCH LEAD ASSEMBLY	1.000 EA
35CB4802A02SP	CAPACITOR COVER, STAMPED X	1.000 EA
35GS3001A02	GASKET, CA.COVER, 5.38 LONG .06 CS301	1.000 EA
LC0001A01	CONN LABEL / WARNING LABEL (LC0001 / LB1	1.000 EA
NP1256L	ALUM UL CSA CC	1.000 EA
36PA1001	PKG GRP, PRINT PK1017A06	1.000 EA
MN416A01	TAG-INSTAL-MAINT no wire (1200/bx) 11/14	1.000 EA

Accessories		
Part Number	Description	Multiplier
36-1037	C FACE KIT	A8
36EP1304A62SP	FLANGE MTD ENDPLATE 182-4TD -ENCL (LESS	A8

AC Induction Motor Performance Data

Record # 10488 - Typical performance - not guaranteed values

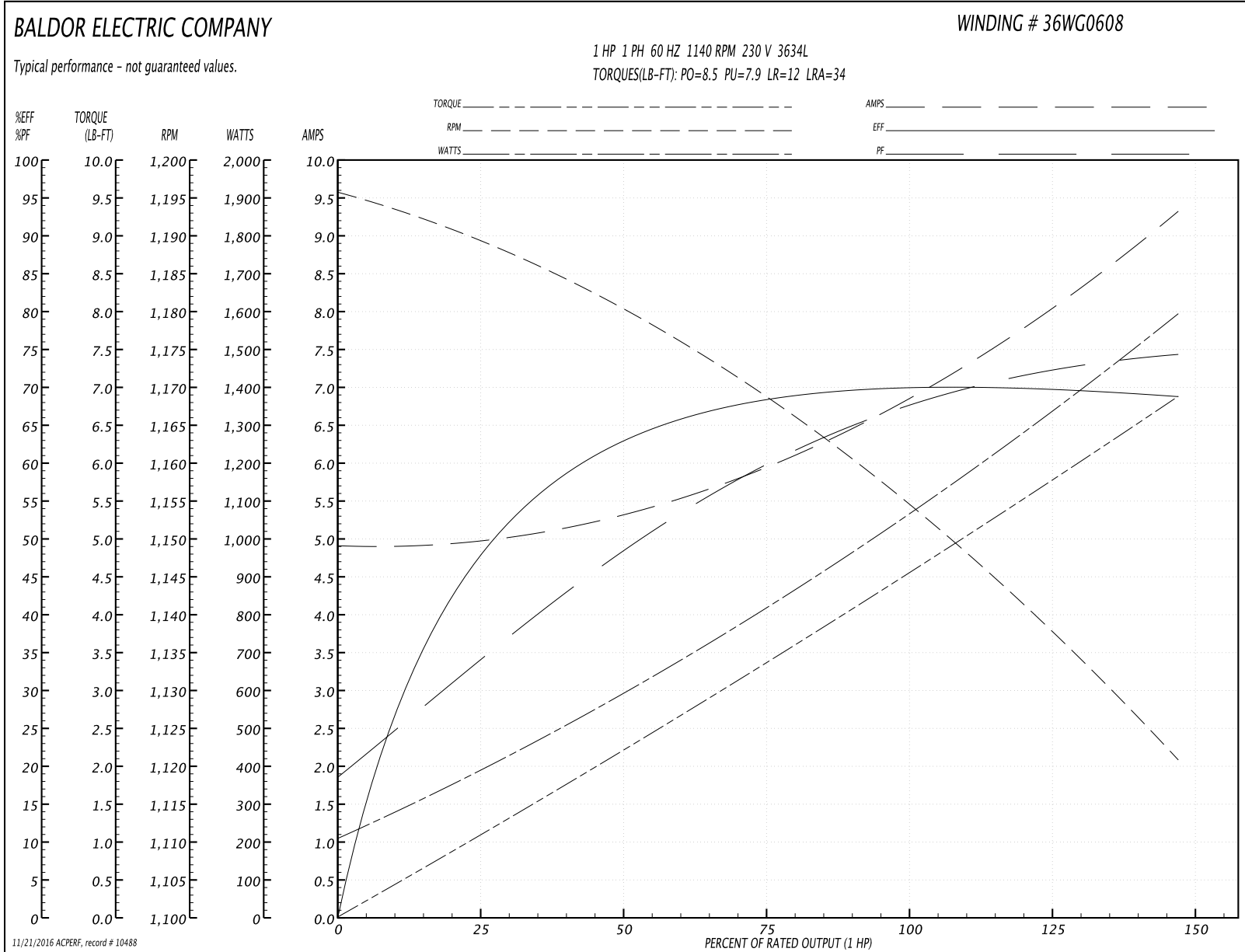
Winding: 36WG0608-R001	Type: 3634L	Enclosure: TEFC
-------------------------------	--------------------	------------------------

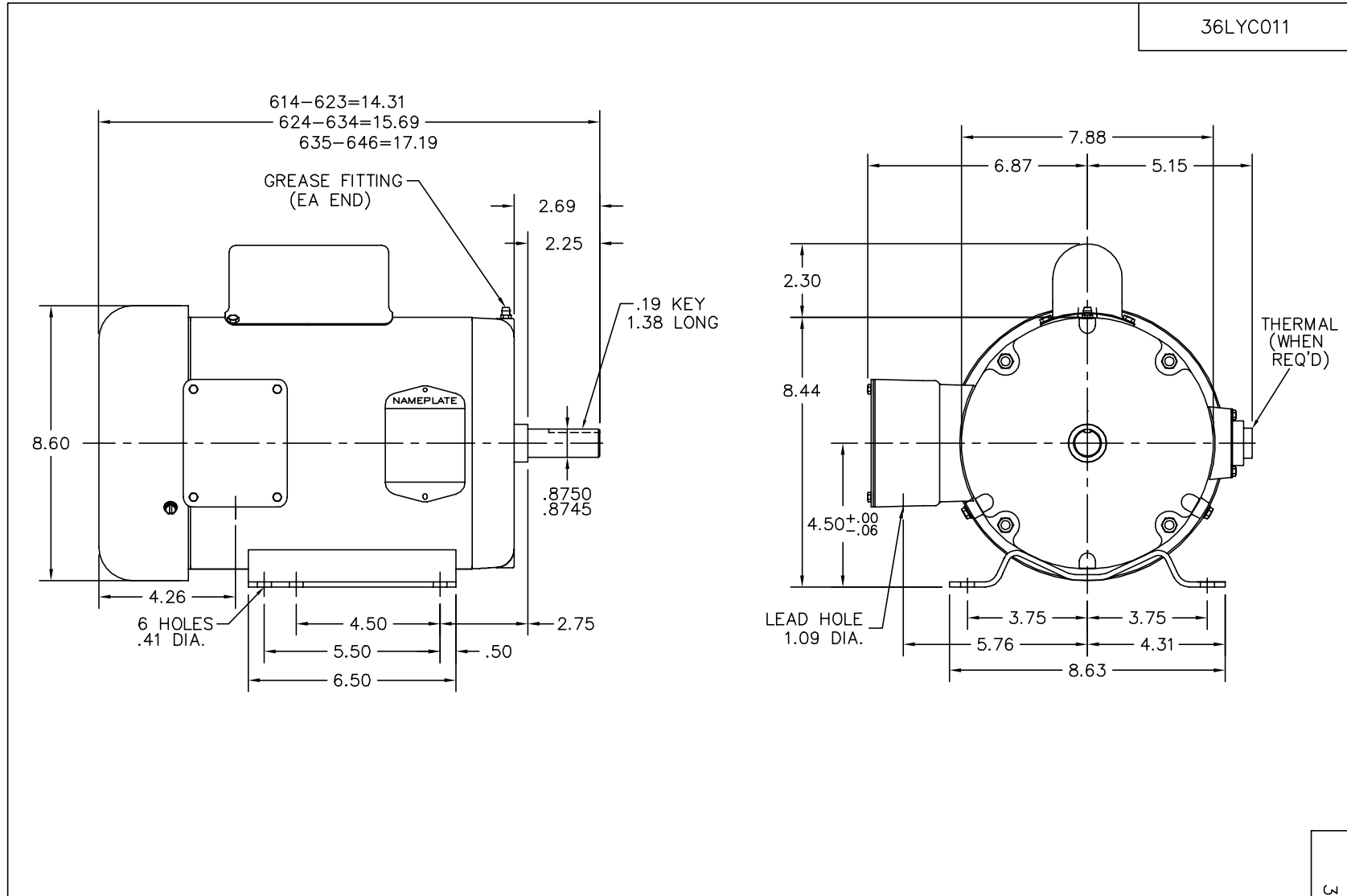
Nameplate Data				230 V, 60 Hz: High Voltage Connection	
Rated Output (HP)	1			Full Load Torque	4.6 LB-FT
Volts	115/230			Start Configuration	direct on line
Full Load Amps	14/7			Breakdown Torque	8.5 LB-FT
R.P.M.	1140			Pull-up Torque	7.9 LB-FT
Hz	60	Phase	1	Locked-rotor Torque	12 LB-FT
NEMA Design Code	L	KVA Code	K	Starting Current	34 A
Service Factor (S.F.)	1.15			No-load Current	4.85 A
NEMA Nom. Eff.	67	Power Factor	67	Line-line Res. @ 25°C	0.502 Ω A Ph 1.74 Ω B Ph
Rating - Duty	40C AMB-CONT			Temp. Rise @ Rated Load	74°C
S.F. Amps				Temp. Rise @ S.F. Load	95°C

Load Characteristics 230 V, 60 Hz, 1 HP

% of Rated Load	25	50	75	100	125	150	S.F.
Power Factor	34	48	59	67	73	76	0
Efficiency	47.8	62.6	68.5	70.6	70.4	68.3	0
Speed	1188	1178	1168	1155	1140	1119	0
Line amperes	5.05	5.4	6	6.85	7.95	9.4	7.5

Performance Graph at 230V, 60Hz, 1.0HP Typical performance - Not guaranteed values





CUSTOMER IS RESPONSIBLE FOR DETERMINING THAT MOTOR PERFORMANCE IS SUITABLE IN THE APPLICATION.

REV. DESC: FREEZE LINES SHOWING THROUGH CAPACITOR/KO BOX

REV. LTR: F

VERSION: 02

TDR: 000000384004

BALDOR ELECTRIC Co.

1100A19E

FILE: \AAA\00003\196

REVISED: 15:55:18 12/22/2005

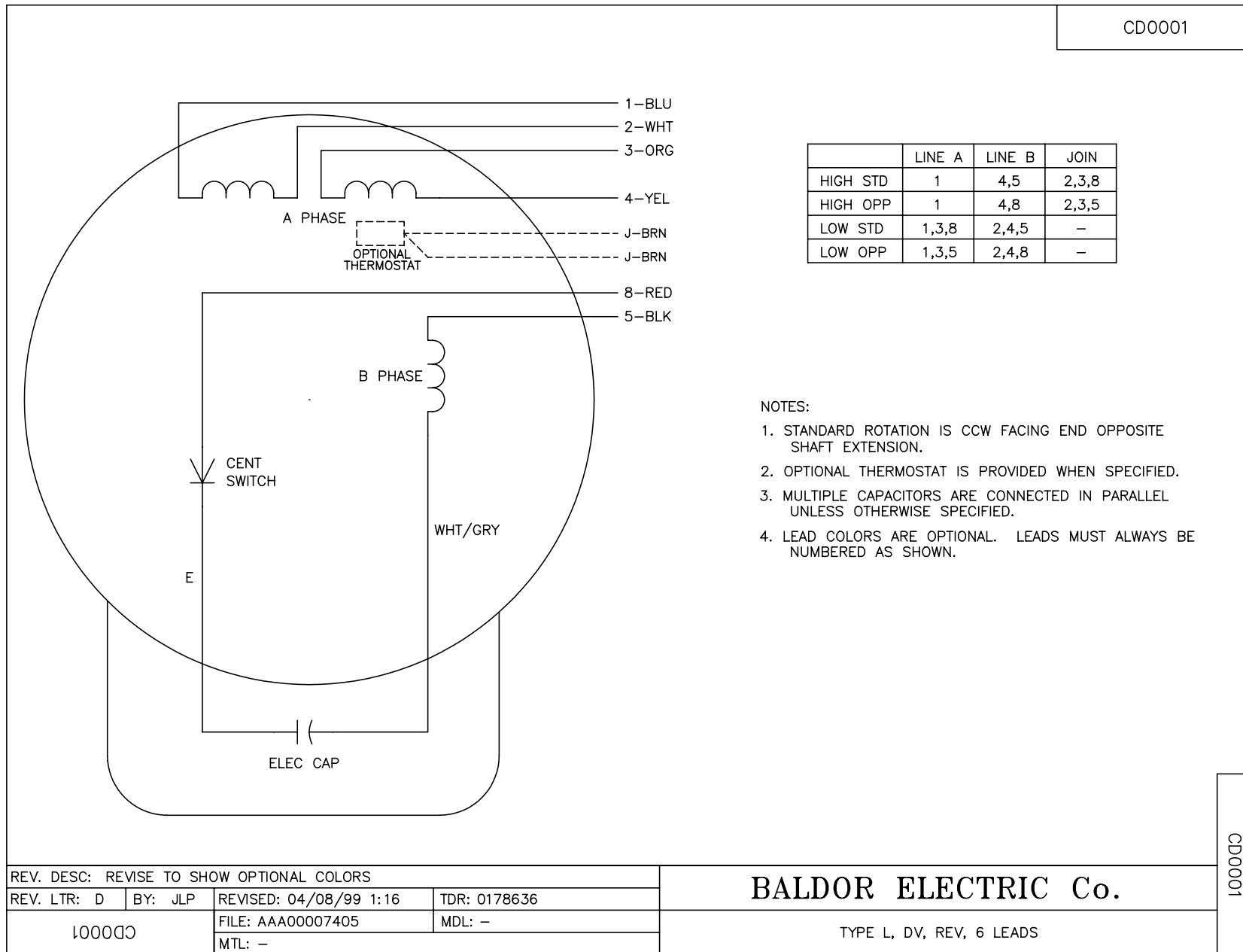
MTL: -

BY: ENCHRC0

STD HORZ 182-4 TEFC 36L

36LYC011

CD0001



REV. DESC: REVISE TO SHOW OPTIONAL COLORS			
REV. LTR: D	BY: JLP	REVISED: 04/08/99 1:16	TDR: 0178636
100000		FILE: AAA00007405	MDL: -
		MTL: -	

BALDOR ELECTRIC Co.

TYPE L, DV, REV, 6 LEADS

CD0001