

# **BALDOR**® • **RELIANCE**

## Product Information Packet

# L3912T

15HP,1770RPM,1PH,60HZ,256T,3956LC,TEFC,F

Part Detail							
Revision:	F	Status:	PRD/A	Change #:		Proprietary:	No
Type:	AC	Prod. Type:	3956LC	Elec. Spec:	39WGX905	CD Diagram:	CD1084
Enclosure:	TEFC	Mfg Plant:		Mech. Spec:	39T044	Layout:	39LYT044
Frame:	256T	Mounting:	F1	Poles:	04	Created Date:	03-12-2015
Base:	RG	Rotation:	R	Insulation:	F	Eff. Date:	09-22-2016
Leads:	2#6 A PH,2#12 B PH					Replaced By:	
Literature:		Elec. Diagram:					

Nameplate NP1256L										
CAT.NO.	L3912T									
SPEC.	39T044X905									
HP	15									
VOLTS	208-230									
AMP	65-58									
RPM	1720									
FRAME	256T				HZ	60			PH	1
SER.F.	1.00		CODE	E	DES	L		CLASS	F	
NEMA-NOM-EFF	86.5		PF	96						
RATING	40C AMB-CONT									
CC									USABLE AT 208V	
DE	6309				ODE	6307				
ENCL	TEFC			SN						

Parts List		
Part Number	Description	Quantity
SA295369	SA 39T044X905	1.000 EA
RA281434	RA 39T044X905	1.000 EA
OC3050F09SP	CYL OIL CAP 50MFD/370V	2.000 EA
RE0045A12	RELAY,GE #CR453CC2BAA, 30 AMP	1.000 EA
EC1216D06	ELEC CAP, 216-259MFD, 330V, 2.06D X 4.38	4.000 EA
37CB3804A43	CONDUIT BOX MACH.	1.000 EA
37GS3015	GASKET, CAPAC BOX	1.000 EA
51XW2520A12	.25-20 X .75, TAPTITE II, HEX WSHR SLTD	4.000 EA
HA6003A47	CAPAC CLAMP	1.000 EA
HA7419	SPL BRACKET FOR MTG. CONTACT TO SINGLE P	1.000 EA
51XW1032A06	10-32 X .38, TAPTITE II, HEX WSHR SLTD S	7.000 EA
HA6003A45	CAPAC CLAMP - CLIP (WHITE ZINC PLATED)	2.000 EA
51XB1016A08	10-16X 1/2HXWSSLD SERTYB	2.000 EA
WD1000D90	T&B RC2577FM,90 DEG INSUL. FLAG TERMINAL	2.000 EA
WD1000A03	41531 AMP FLG.TERM,4M/REEL(2.5MIL)	30.000 EA
WD1000D90	T&B RC2577FM,90 DEG INSUL. FLAG TERMINAL	1.000 EA
39EP1100A21	SPL FREP ENCL TEFC W/STATIONARY SWITCH M	1.000 EA
HA4051A00	PLASTIC CAP FOR GREASE FITTING	1.000 EA
HW5100A08	W3118-035 WVY WSHR (WB)	1.000 EA
10XN2520K28	1/4-20 X 1.75" HX HD SCRWGRADE 5, ZINC P	4.000 EA
HW1001A25	LOCKWASHER 1/4, ZINC PLT .493 OD, .255 I	4.000 EA
39EP1101A02	STD PU EP-ENCL-TEFC	1.000 EA
HA4051A00	PLASTIC CAP FOR GREASE FITTING	1.000 EA
HA3154A05	THRUBOLT STUD 3/8-16 X 16.875	4.000 EA

<b>Parts List (continued)</b>		
<b>Part Number</b>	<b>Description</b>	<b>Quantity</b>
XY3816A12	3/8-16 FINISHED NUT	8.000 EA
09FH4000A08	FAN COVER, STAMPED	1.000 EA
HA2001B08	SPL SPACER FOR AIR DEFLECTOR .50 O.D. X	3.000 EA
10XN2520K16	1/4-20 X 1" HX HD SCRW GRADE 5, ZINC P	3.000 EA
HW1001A25	LOCKWASHER 1/4, ZINC PLT .493 OD, .255 I	3.000 EA
37CB4509	CAPAC BOX LID, STAMPED	1.000 EA
37GS3016	GASKET, CAPAC BOX LID	1.000 EA
51XW0832A07	8-32 X .44, TAPTITE II, HEX WSHR SLTD SE	6.000 EA
HW2501G25	KEY, 3/8 SQ X 2.875	1.000 EA
LB1115N	LABEL,LIFTING DEVICE (ON ROLLS)	1.000 EA
HW4500A03	GREASE FITTING, .125 NPT 1610(ALEMITE) 8	1.000 EA
HW4500A17	317400 ALEMITE GREASE RELIEF	1.000 EA
SP5165	MODEL 39 DOUBLE ARM STATIONARY SWITCH	1.000 EA
51XW0832A07	8-32 X .44, TAPTITE II, HEX WSHR SLTD SE	1.000 EA
NS2605	SWITCH INSULATOR 09 FRAME	1.000 EA
MJ1000A02	GREASE, POLYREX EM EXXON (USe 4824-15A)	0.030 LB
HW4500A03	GREASE FITTING, .125 NPT 1610(ALEMITE) 8	1.000 EA
HW4500A17	317400 ALEMITE GREASE RELIEF	1.000 EA
80XN3816L08	3/8-16 X 1/2 SET SCREW W/NYLON PATCH	1.000 EA
09FN2001A02	EXTERNAL FAN, MACH	1.000 EA
MG1000G27	MED CHARCOAL METALLIC GREY 400-0096	0.050 GA
85XU0407S04	4X1/4 U DRIVE PIN STAINLESS	2.000 EA
LB1119N	WARNING LABEL	1.000 EA
LC0017	CONN LABEL-1 PHASE-SINGLE VOLT-REV ROTNO	1.000 EA

Product Information Packet: L3912T - 15HP,1770RPM,1PH,60HZ,256T,3956LC,TEFC,F

NP1256L	ALUM UL CSA CC	1.000 EA
40PA1000	PACKAGING GROUP	1.000 EA
MN416A01	TAG-INSTAL-MAINT no wire (1200/bx) 11/14	1.000 EA
LB1417	LABEL CARTON 6X4 PERFORATED BLANK ROLLS	1.000 EA

**AC Induction Motor Performance Data**  
Record # 59422 - Typical performance - not guaranteed values

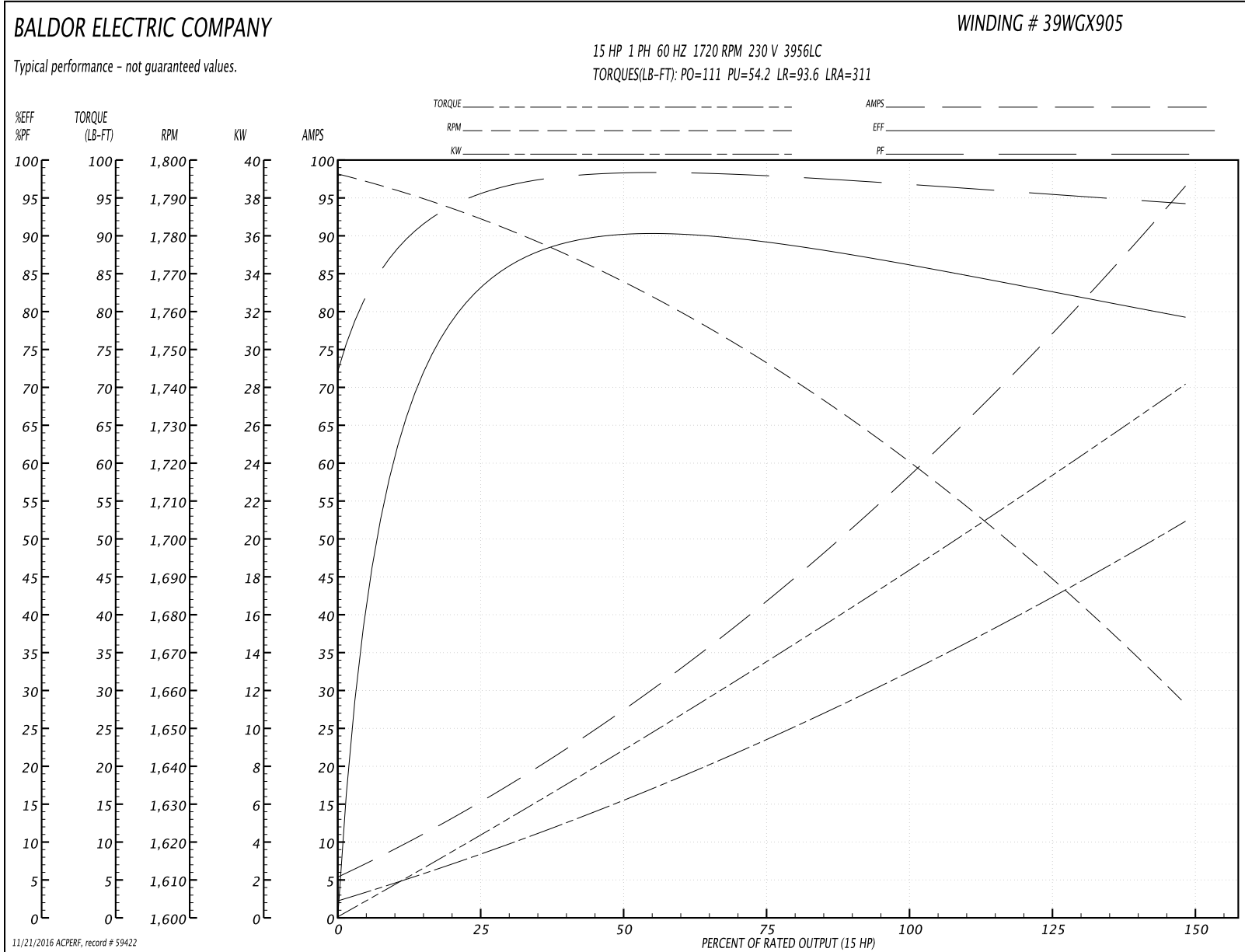
<b>Winding:</b> 39WGX905-R001	<b>Type:</b> 3956LC	<b>Enclosure:</b> TEFC
-------------------------------	---------------------	------------------------

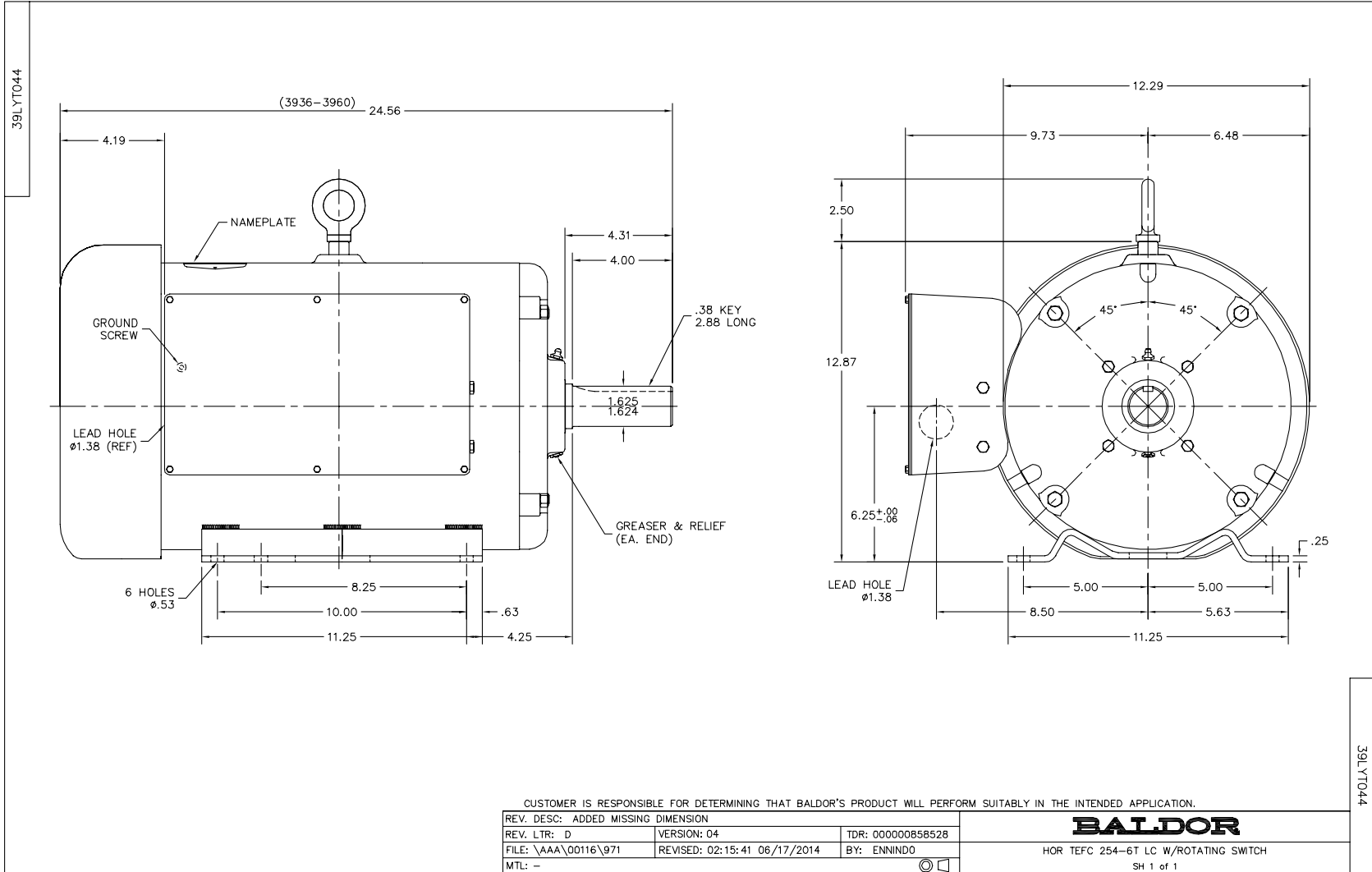
Nameplate Data				230 V, 60 Hz: Single Voltage Motor	
Rated Output (HP)	15			Full Load Torque	45.6 LB-FT
Volts	208-230			Start Configuration	direct on line
Full Load Amps	65-58			Breakdown Torque	111 LB-FT
R.P.M.	1720			Pull-up Torque	54.2 LB-FT
Hz	60	Phase	1	Locked-rotor Torque	93.6 LB-FT
NEMA Design Code	L	KVA Code	E	Starting Current	311 A
Service Factor (S.F.)	1			No-load Current	4.94 A
NEMA Nom. Eff.	86.5	Power Factor	96	Line-line Res. @ 25°C	0.12074 Ω A Ph 0.37139 Ω B Ph
Rating - Duty	40C AMB-CONT			Temp. Rise @ Rated Load	100°C

Load Characteristics 230 V, 60 Hz, 15 HP

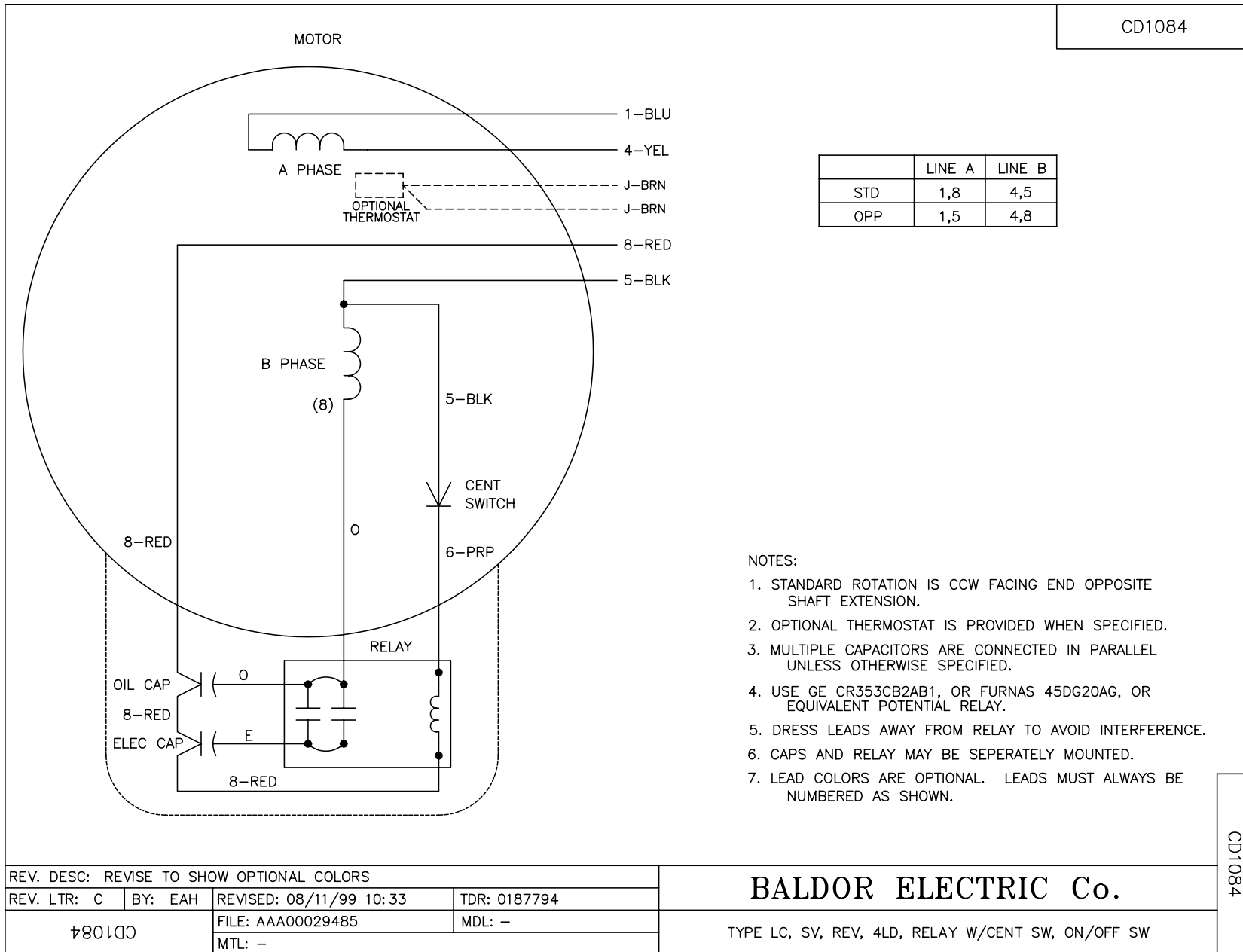
% of Rated Load	25	50	75	100	125	150
Power Factor	96	98	98	97	96	94
Efficiency	81	88.4	88.8	87	83.5	78.8
Speed	1783.3	1766.1	1746.3	1722.4	1693	1654.6
Line amperes	15.7	28	42	57.5	75.3	97.3

Performance Graph at 230V, 60Hz, 15.0HP Typical performance - Not guaranteed values





CD1084



REV. DESC: REVISE TO SHOW OPTIONAL COLORS			
REV. LTR: C	BY: EAH	REVISED: 08/11/99 10:33	TDR: 0187794
†801D0		FILE: AAA00029485	MDL: -
		MTL: -	

**BALDOR ELECTRIC Co.**

TYPE LC, SV, REV, 4LD, RELAY W/CENT SW, ON/OFF SW

CD1084