

BALDOR® • RELIANCE

Product Information Packet

M1009T

7.5/1.9HP, 1725/850RPM, 3PH, 60HZ, 215T

Part Detail							
Revision:	Y	Status:	PRD/A	Change #:		Proprietary:	No
Type:	AC	Prod. Type:	3735M	Elec. Spec:	37WGW616	CD Diagram:	CD0032
Enclosure:	OPEN	Mfg Plant:		Mech. Spec:	37B001	Layout:	37LYB001
Frame:	215T	Mounting:	F1	Poles:	04/08	Created Date:	
Base:	RG	Rotation:	R	Insulation:	B	Eff. Date:	06-30-2015
Leads:	6#12					Replaced By:	
Literature:		Elec. Diagram:					

Nameplate NP1256L										
CAT.NO.	M1009T									
SPEC.	37B01W616									
HP	7.5/1.9									
VOLTS	230									
AMP	20/7.5									
RPM	1725/850									
FRAME	215T				HZ	60			PH	3
SER.F.	1.15			CODE	J	DES	B		CLASS	B
NEMA-NOM-EFF					PF					
RATING	40C AMB-CONT									
CC					USABLE AT 208V					
DE	6307				ODE	6206				
ENCL	OPEN			SN						

Parts List		
Part Number	Description	Quantity
SA030359	SA 37B01W616	1.000 EA
RA026400	RA 37B01W616	1.000 EA
HW3200A01	3/8-16X3/4 I-BLT WELDED F/S	1.000 EA
37CB3006	37 CB CASTING W/1.38 LEAD HOLE @ 6:00	1.000 EA
51XW2520A12	.25-20 X .75, TAPTITE II, HEX WSHR SLTD	2.000 EA
11XW1032G06	10-32 X .38, TAPTITE II, HEX WSHR SLTD U	1.000 EA
37EP3200A01SP	FR ENDPLATE, FOR ROUTING PURPOSES	1.000 EA
HW4500A01	1641B(ALEMITE)400 UNIV, GREASE FITT	1.000 EA
HW5100A06	W2420-025 WVY WSHR (WB)	1.000 EA
37PE3201A01	PU ENDPLATE ASSEMBLY FOR ROUTING	1.000 EA
HW4500A01	1641B(ALEMITE)400 UNIV, GREASE FITT	1.000 EA
XY3118A12	5/16-18 HEX NUT DIRECTIONAL SERRATION	4.000 EA
37CB4516	LIPPED LID FOR 37 FRAME NEC KOBX	1.000 EA
51XW0832A07	8-32 X .44, TAPTITE II, HEX WSHR SLTD SE	4.000 EA
HW2501F21	KEY, 5/16 SQ X 2.375	1.000 EA
HA7000A02	KEY RETAINER RING, 1 1/8 DIA, 1 3/8 DIA	1.000 EA
85XU0407S04	4X1/4 U DRIVE PIN STAINLESS	2.000 EA
LB1115N	LABEL,LIFTING DEVICE (ON ROLLS)	1.000 EA
MJ1000A02	GREASE, POLYREX EM EXXON (USe 4824-15A)	0.050 LB
MG1000G27	MED CHARCOAL METALLIC GREY 400-0096	0.028 GA
HA3104A14	THRUBOLT- 5/16-18 X12.125(OHIO)	4.000 EA
LB1119N	WARNING LABEL	1.000 EA
LC0032	CONNECTION LABEL	1.000 EA
NP1256L	ALUM UL CSA CC	1.000 EA

Parts List (continued)		
Part Number	Description	Quantity
36PA1001	PKG GRP, PRINT PK1017A06	1.000 EA
MN416A01	TAG-INSTAL-MAINT no wire (1200/bx) 11/14	1.000 EA

Accessories		
Part Number	Description	Multiplier
37-1404	C FACE KIT	A8

AC Induction Motor Performance Data

Record # 11888 - Typical performance - not guaranteed values

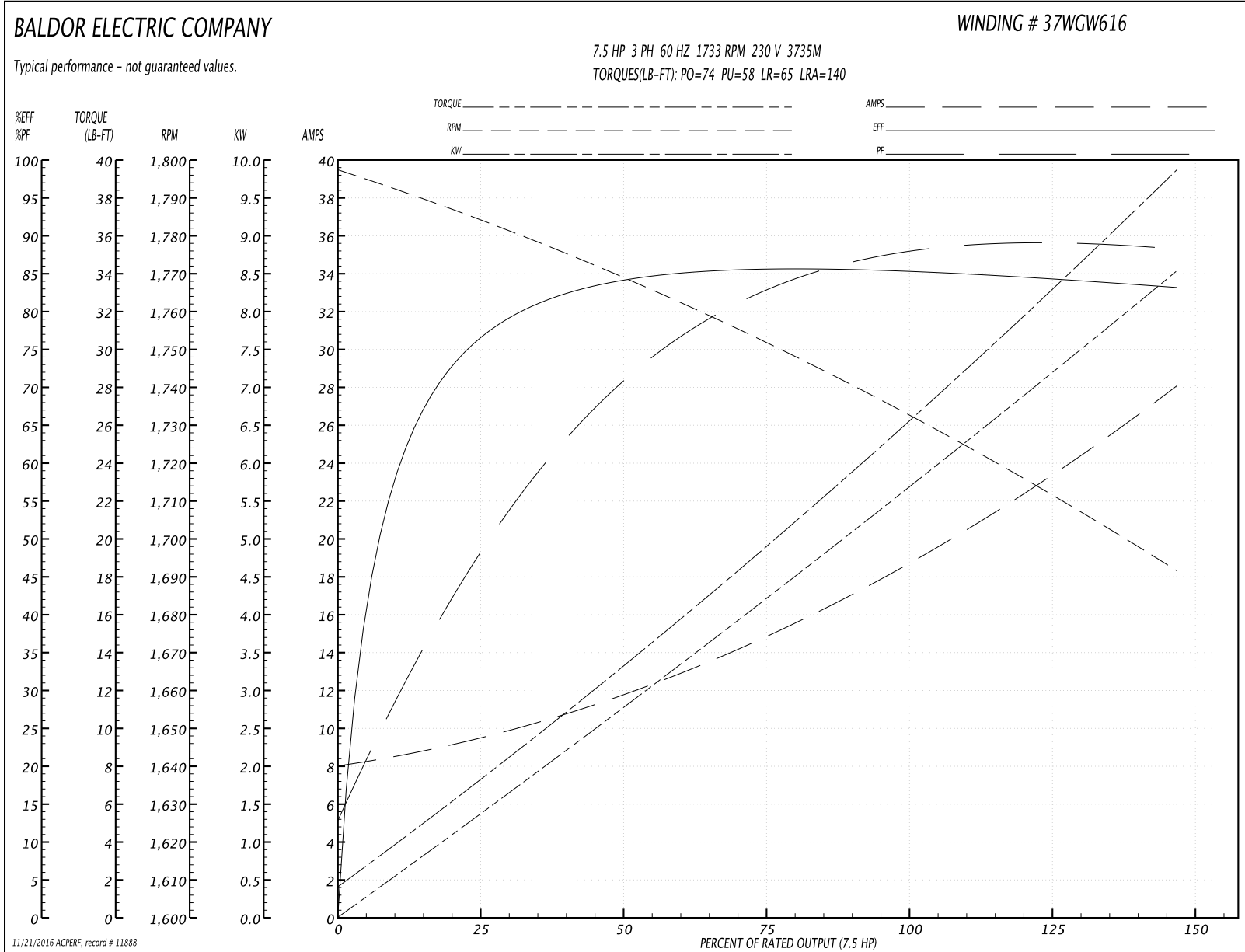
Winding: 37WGW616-R001	Type: 3735M	Enclosure: OPEN
-------------------------------	--------------------	------------------------

Nameplate Data				230 V, 60 Hz: High Speed Connection	
Rated Output (HP)	7.5/1.9			Full Load Torque	22.8 LB-FT
Volts	230			Start Configuration	direct on line
Full Load Amps	20/7.5			Breakdown Torque	74 LB-FT
R.P.M.	1725/850			Pull-up Torque	58 LB-FT
Hz	60	Phase	3	Locked-rotor Torque	65 LB-FT
NEMA Design Code	B	KVA Code	J	Starting Current	140 A
Service Factor (S.F.)	1.15			No-load Current	8.2 A
NEMA Nom. Eff.	0	Power Factor	0	Line-line Res. @ 25°C	0.521 Ω
Rating - Duty	40C AMB-CONT			Temp. Rise @ Rated Load	59°C
S.F. Amps				Temp. Rise @ S.F. Load	74°C

Load Characteristics 230 V, 60 Hz, 7.5 HP

% of Rated Load	25	50	75	100	125	150	S.F.
Power Factor	50	71	82	87	89	91	0
Efficiency	76.3	83.9	85.6	85.5	84.6	83	0
Speed	1783	1768	1751	1733	1713	1691	0
Line amperes	9.3	11.8	15.1	18.9	23.2	28	21.5

Performance Graph at 230V, 60Hz, 7.5HP Typical performance - Not guaranteed values



AC Induction Motor Performance Data

Record # 11889 - Typical performance - not guaranteed values

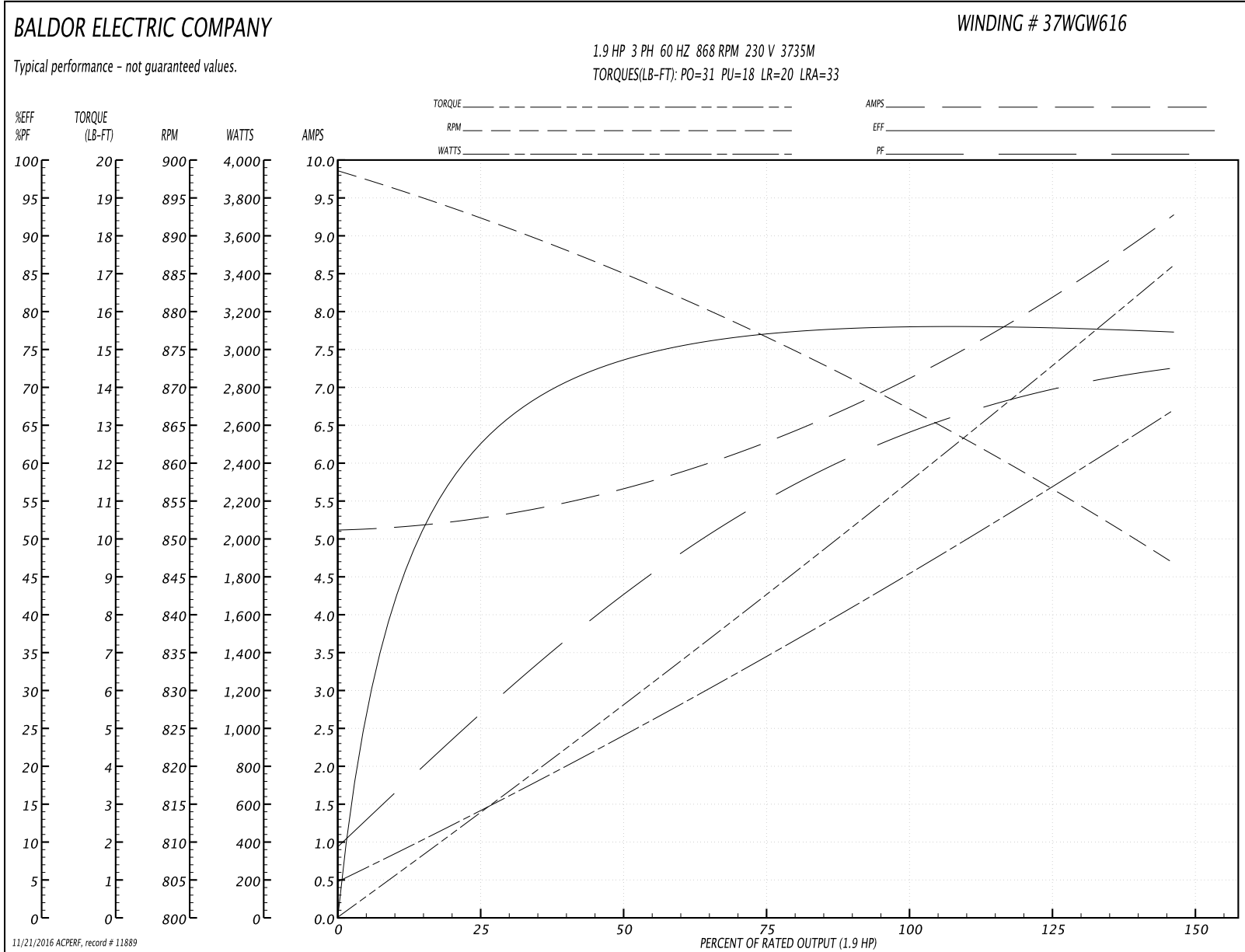
Winding: 37WGW616-R001	Type: 3735M	Enclosure: OPEN
-------------------------------	--------------------	------------------------

Nameplate Data				230 V, 60 Hz: Low Speed Connection	
Rated Output (HP)	7.5/1.9			Full Load Torque	11.5 LB-FT
Volts	230			Start Configuration	direct on line
Full Load Amps	20/7.5			Breakdown Torque	31 LB-FT
R.P.M.	1725/850			Pull-up Torque	18 LB-FT
Hz	60	Phase	3	Locked-rotor Torque	20 LB-FT
NEMA Design Code	B	KVA Code	J	Starting Current	33 A
Service Factor (S.F.)	1.15			No-load Current	5.1 A
NEMA Nom. Eff.	0	Power Factor	0	Line-line Res. @ 25°C	2.91 Ω
Rating - Duty	40C AMB-CONT			Temp. Rise @ Rated Load	49°C
S.F. Amps				Temp. Rise @ S.F. Load	63°C

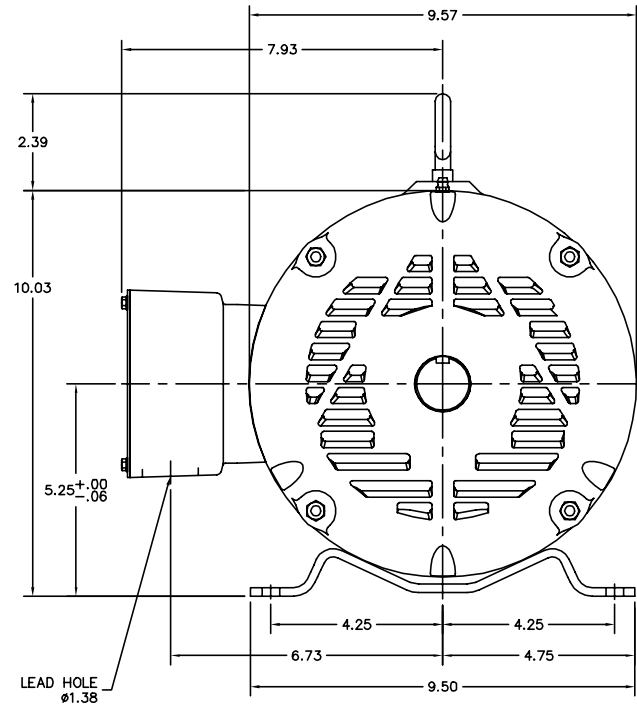
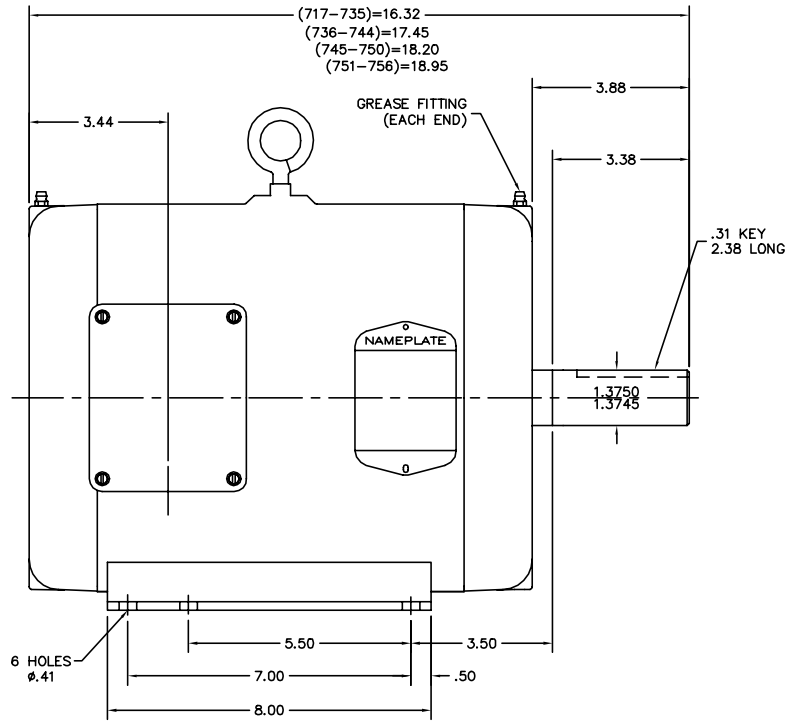
Load Characteristics 230 V, 60 Hz, 1.9 HP

% of Rated Load	25	50	75	100	125	150	S.F.
Power Factor	27	43	55	64	70	74	0
Efficiency	62.1	73.4	77.2	78.3	78.1	77.1	0
Speed	892	884	876	868	858	846	0
Line amperes	5.3	5.7	6.3	7.1	8.1	9.3	7.9

Performance Graph at 230V, 60Hz, 1.9HP Typical performance - Not guaranteed values



37LYB001



CUSTOMER IS RESPONSIBLE FOR DETERMINING THAT MOTOR PERFORMANCE IS SUITABLE IN THE APPLICATION.

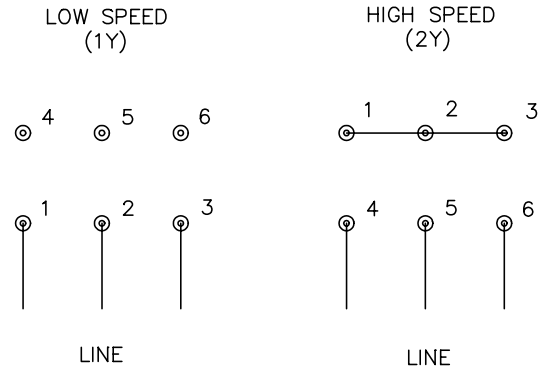
REV. DESC: ADDED KOBX LEAD HOLE DIM & UPDATED			
REV. LTR: L	BY: RMP	REVISED: 08:11:16 09/20/2004	TDR: 343763
FILE: AAA00002757		REF: 37LYB001	
MTL: -			

BALDOR ELECTRIC Co.

STANDARD HORZ NEMA 213T-215T OPEN 37M

37LYB001

CD0032



NOTES:

1. INTERCHANGE ANY TWO LINE LEADS TO REVERSE ROTATION.
2. OPTIONAL THERMOSTATS ARE PROVIDED WHEN SPECIFIED.
3. ACTUAL NUMBER OF INTERNAL PARALLEL CIRCUITS MAY BE A MULTIPLE OF THOSE SHOWN ABOVE.
4. LEAD COLORS ARE OPTIONAL. LEADS MUST ALWAYS BE NUMBERED AS SHOWN.

REV. DESC: REVISE TO SHOW OPTIONAL COLORS			
REV. LTR: E	BY: JLP	REVISED: 01/22/99 8:27	TDR: 0171435
CD0032		FILE: AAA00005145	MDL: -
		MTL: -	

BALDOR ELECTRIC Co.

3PH, SV, 6 LEADS, 2-SPEED 1-WINDING VARIABLE TORQUE

CD0032