

# **BALDOR**® • ***RELIANCE***

## **Product Information Packet**

# **M1222T**

**2/.89HP,1725/1140RPM,3PH,60HZ,182T,3628M**

Part Detail							
Revision:	V	Status:	PRD/A	Change #:		Proprietary:	No
Type:	AC	Prod. Type:	3628M	Elec. Spec:	36WG3120	CD Diagram:	CD0013
Enclosure:	OPEN	Mfg Plant:		Mech. Spec:	36B001	Layout:	36LYB001
Frame:	182T	Mounting:	F1	Poles:	04/06	Created Date:	
Base:	RG	Rotation:	R	Insulation:	B	Eff. Date:	04-02-2015
Leads:	6#16					Replaced By:	
Literature:		Elec. Diagram:					

Nameplate NP1256L										
CAT.NO.	M1222T									
SPEC.	36B01-3120									
HP	2/.89									
VOLTS	460									
AMP	3/1.6									
RPM	1725/1140									
FRAME	182T				HZ	60			PH	3
SER.F.	1.15		CODE	F	DES	B		CLASS	B	
NEMA-NOM-EFF			PF							
RATING	40C AMB-CONT									
CC									USABLE AT 208V	
DE	6206				ODE	6205				
ENCL	OPEN		SN							

Parts List		
Part Number	Description	Quantity
SA034195	SA 36B01-3120	1.000 EA
RA030223	RA 36B01-3120	1.000 EA
36CB3004	36 CB CASTING W/1.09 DIA LEAD HOLE @ 6:0	1.000 EA
51XB1016A08	10-16X 1/2HXWSSLD SERTYB	2.000 EA
11XW1032G06	10-32 X .38, TAPTITE II, HEX WSHR SLTD U	1.000 EA
HW3001B01	BRASS CUP WASHER, FOR #8 SCREW	1.000 EA
36EP3200A01	FR ENDPLATE, ASSEMBLY FOR ROUTING	1.000 EA
HW4500A01	1641B(ALEMITE)400 UNIV, GREASE FITT	1.000 EA
HW5100A05	WVY WSHR F/205 & 304 BRGS	1.000 EA
36PE3201A01	PU ENDPLATE, ASSEMBLY FOR ROUTING	1.000 EA
HW4500A01	1641B(ALEMITE)400 UNIV, GREASE FITT	1.000 EA
XY2520A12	1/4-20 HEX NUT, DIRECTIONAL SERRATIONS	4.000 EA
36CB4516	36 LIPPED CB LID	1.000 EA
51XW0832A07	8-32 X .44, TAPTITE II, HEX WSHR SLTD SE	4.000 EA
HW2501E16	3KEY, 1/4 SQ X 1.750	1.000 EA
HA7000A02	KEY RETAINER RING, 1 1/8 DIA, 1 3/8 DIA	1.000 EA
85XU0407S04	4X1/4 U DRIVE PIN STAINLESS	2.000 EA
MJ1000A02	GREASE, POLYREX EM EXXON (USe 4824-15A)	0.050 LB
MG1000G27	MED CHARCOAL METALLIC GREY 400-0096	0.022 GA
HA3101A25	THRUBOLT 1/4-20 X 11.000 OHIO ROD	4.000 EA
LB1119N	WARNING LABEL	1.000 EA
LC0013	CONNECTION LABEL	1.000 EA
NP1256L	ALUM UL CSA CC	1.000 EA
36PA1000	PKG GRP, PRINT PK1016A06	1.000 EA

<b>Parts List (continued)</b>		
<b>Part Number</b>	<b>Description</b>	<b>Quantity</b>
MN416A01	TAG-INSTAL-MAINT no wire (1200/bx) 11/14	1.000 EA

<b>Accessories</b>		
<b>Part Number</b>	<b>Description</b>	<b>Multiplier</b>
36-3403	C FACE KIT	A8
36EP1405A09SP	D-FLANGE KIT	A8

**AC Induction Motor Performance Data**

Record # 10546 - Typical performance - not guaranteed values

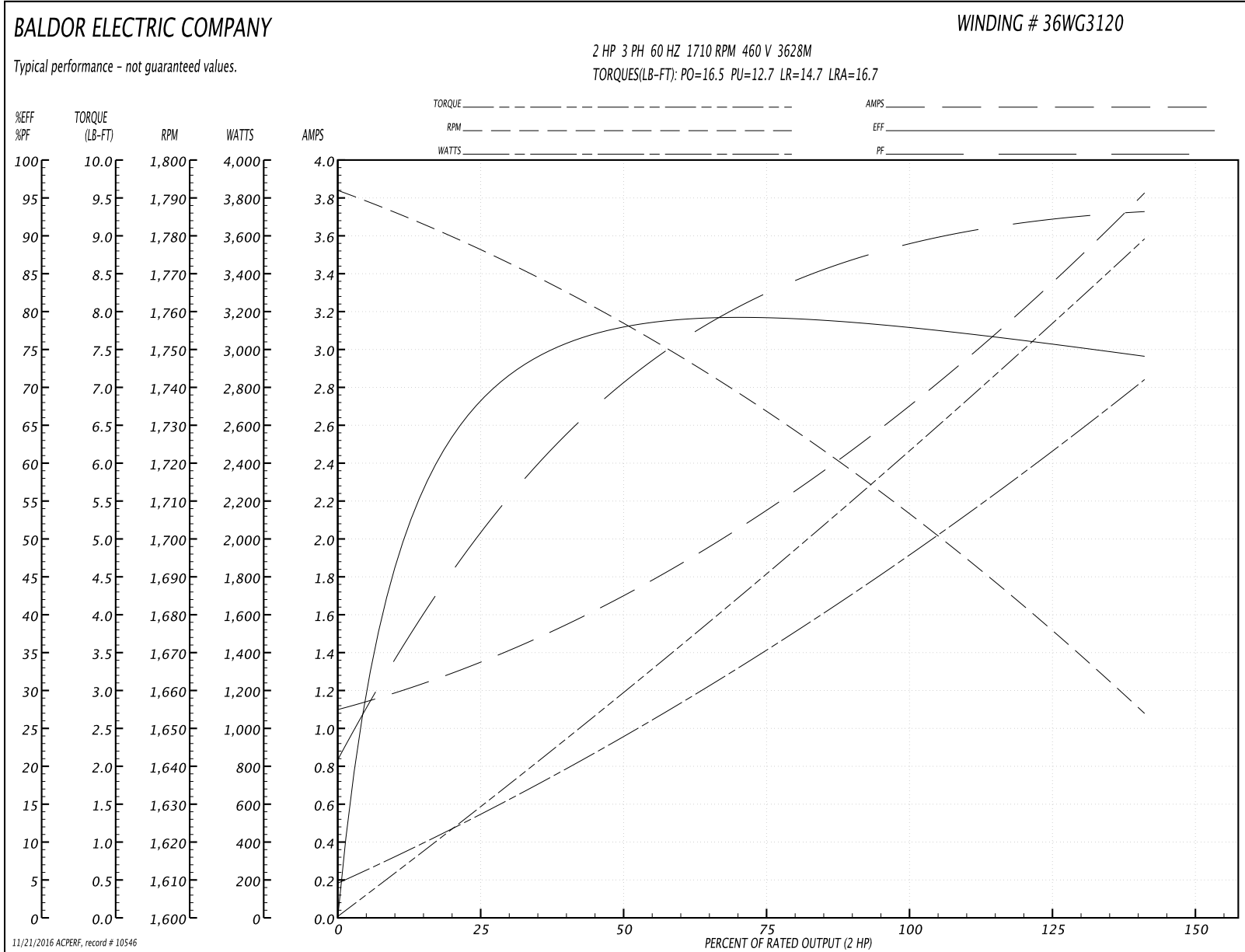
<b>Winding:</b> 36WG3120-R001	<b>Type:</b> 3628M	<b>Enclosure:</b> TEFC
-------------------------------	--------------------	------------------------

Nameplate Data				460 V, 60 Hz: High Speed Connection	
Rated Output (HP)	2/.89			Full Load Torque	6 LB-FT
Volts	460			Start Configuration	direct on line
Full Load Amps	3/1.6			Breakdown Torque	16.5 LB-FT
R.P.M.	1725/1140			Pull-up Torque	12.7 LB-FT
Hz	60	Phase	3	Locked-rotor Torque	14.7 LB-FT
NEMA Design Code	B	KVA Code	F	Starting Current	16.7 A
Service Factor (S.F.)	1.15			No-load Current	1.1 A
NEMA Nom. Eff.	0	Power Factor	0	Line-line Res. @ 25°C	12.4 Ω
Rating - Duty	40C AMB-CONT			Temp. Rise @ Rated Load	62°C
S.F. Amps				Temp. Rise @ S.F. Load	81°C

Load Characteristics 460 V, 60 Hz, 2 HP

% of Rated Load	25	50	75	100	125	150	S.F.
Power Factor	63	80	85	89	90	92	90
Efficiency	69.7	77.5	78.4	78.1	77	73.7	77.4
Speed	1775	1750	1736	1710	1691	1647	1699
Line amperes	1.3	1.8	2.1	2.7	3.1	3.9	2.9

Performance Graph at 460V, 60Hz, 2.0HP Typical performance - Not guaranteed values



**AC Induction Motor Performance Data**

Record # 10547 - Typical performance - not guaranteed values

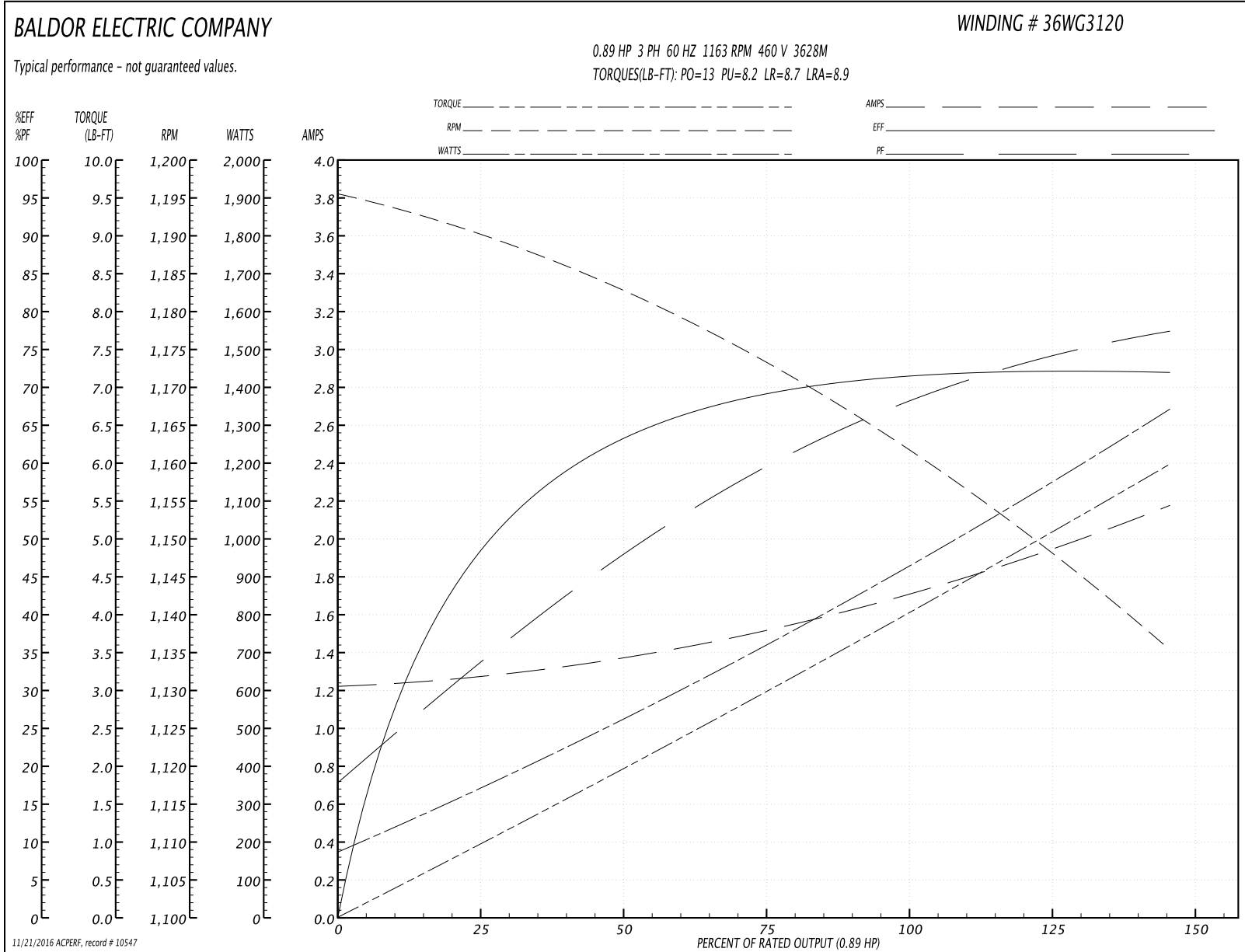
<b>Winding:</b> 36WG3120-R001	<b>Type:</b> 3628M	<b>Enclosure:</b> TEFC
-------------------------------	--------------------	------------------------

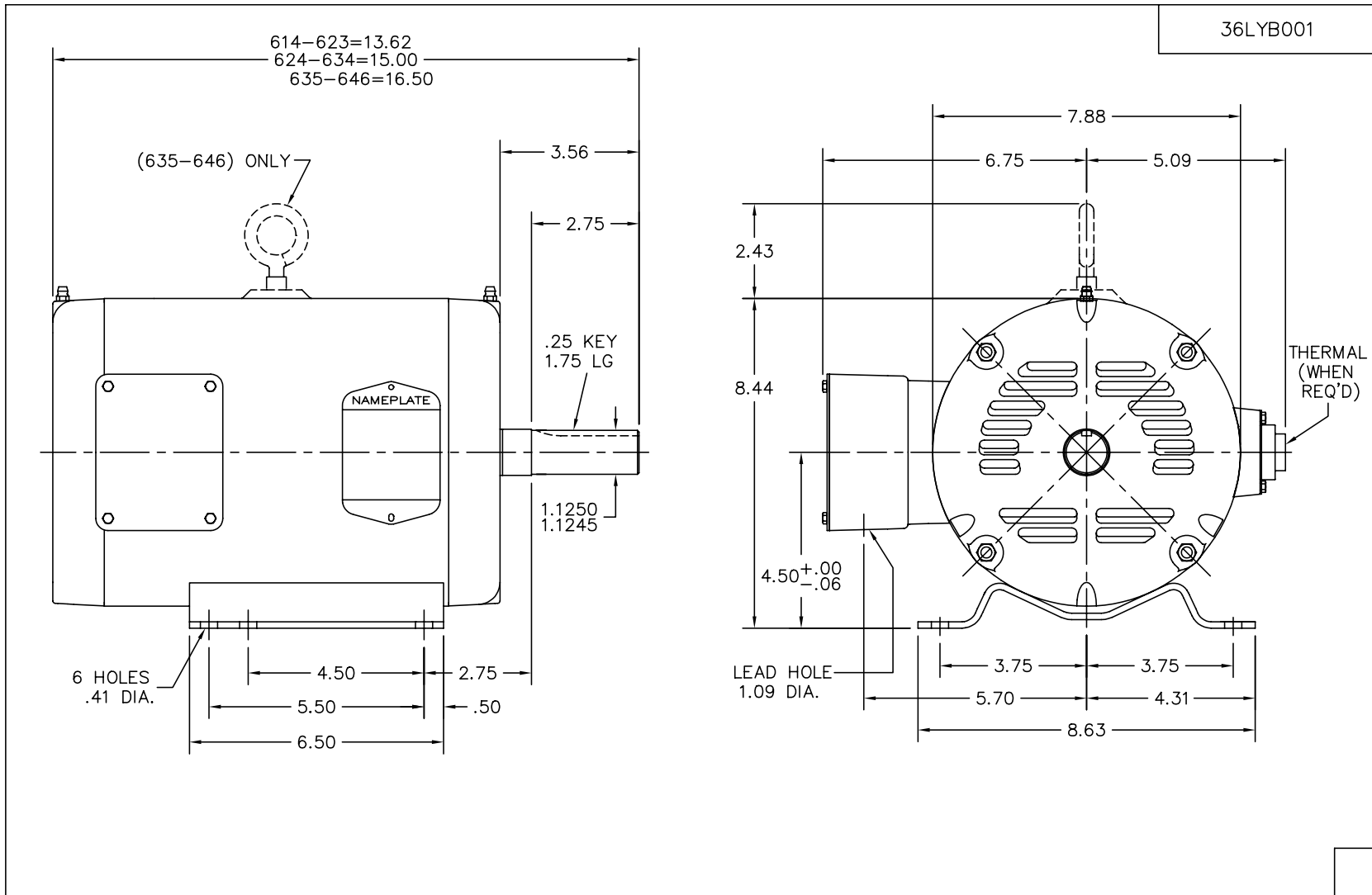
Nameplate Data				460 V, 60 Hz: Low Speed Connection	
Rated Output (HP)	2/.89			Full Load Torque	4 LB-FT
Volts	460			Start Configuration	direct on line
Full Load Amps	3/1.6			Breakdown Torque	13 LB-FT
R.P.M.	1725/1140			Pull-up Torque	8.2 LB-FT
Hz	60	Phase	3	Locked-rotor Torque	8.7 LB-FT
NEMA Design Code	B	KVA Code	F	Starting Current	8.9 A
Service Factor (S.F.)	1.15			No-load Current	1.2 A
NEMA Nom. Eff.	0	Power Factor	0	Line-line Res. @ 25°C	12.4 Ω
Rating - Duty	40C AMB-CONT			Temp. Rise @ Rated Load	47°C
S.F. Amps				Temp. Rise @ S.F. Load	62°C

Load Characteristics 460 V, 60 Hz, 0.89 HP

% of Rated Load	25	50	75	100	125	150	S.F.
Power Factor	39	50	61	68	75	79	72
Efficiency	51.8	62.4	68.7	71.4	72.4	71.9	72
Speed	1190	1182	1172	1163	1151	1134	1156
Line amperes	1.3	1.4	1.5	1.7	1.9	2.2	1.8

Performance Graph at 460V, 60Hz, 0.89HP Typical performance - Not guaranteed values





CUST. NAME		CUST. P.O.		CERTIFIED BY		MODEL		INSUL		AMB							
H.P.		MTG		TYPE		R.P.M.		VOLTS		ENCL		PHASE		FREQ		FRAME	
REV. DESC: CHG'D TO HAVE NEW NEC CONDUIT BOX												<b>BALDOR ELECTRIC Co.</b>  STANDARD HORZ NEMA 182-4T OPEN 36M					
REV. LTR: M		BY: JD		REVISED: 05/19/99 3:45				TDR: 0181963									
100A L95				FILE: AAA00002559				MDL: -									
				MTL: -								36LYB001					

