

# **BALDOR® • RELIANCE**

## **Product Information Packet**

### **MVM3461D**

**.37KW,1725RPM,3PH,60HZ,D71D,3320M,TEFC**

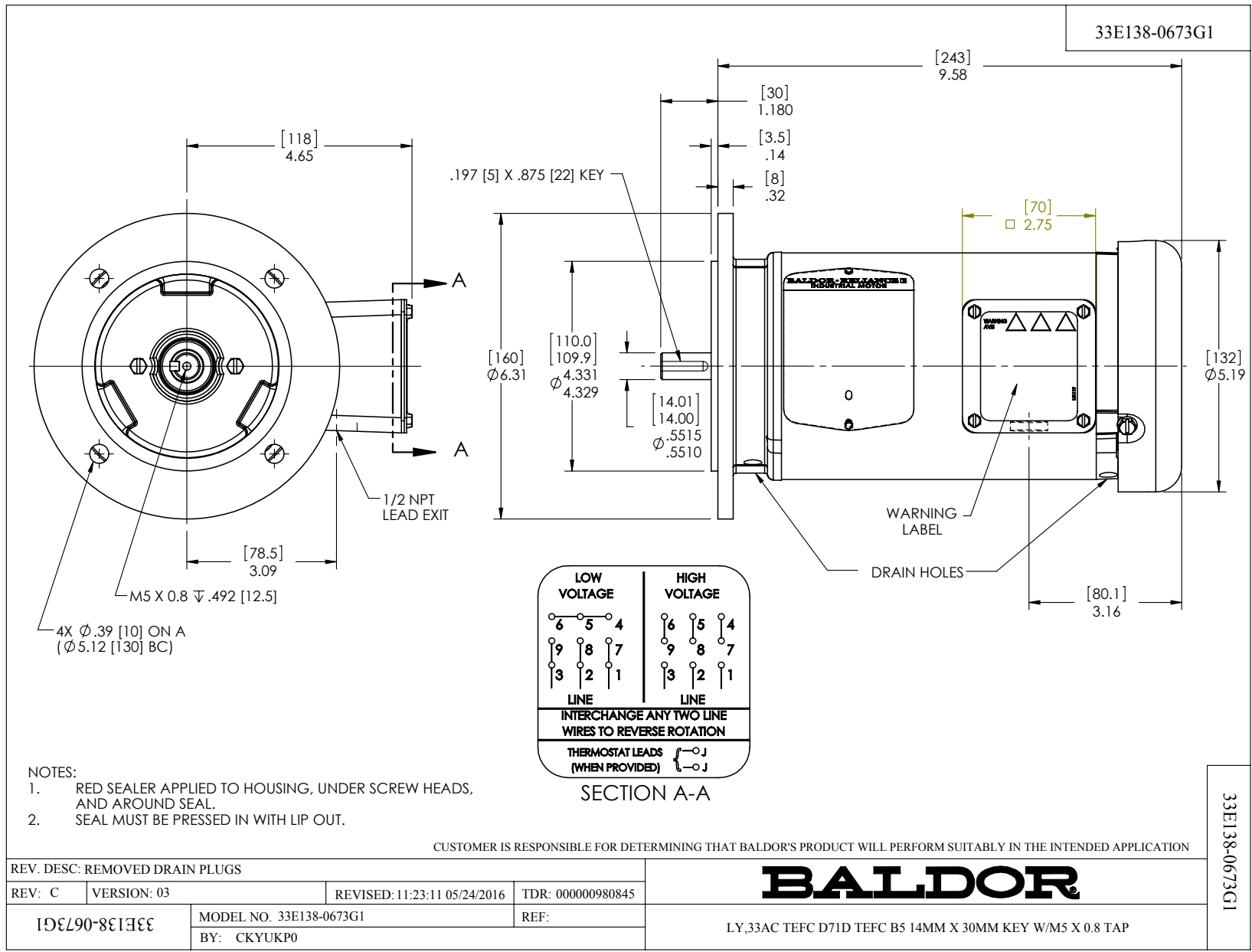
Part Detail							
Revision:	AP	Status:	PRD/A	Change #:		Proprietary:	No
Type:	AC	Prod. Type:	3320M	Elec. Spec:	33WG0673	CD Diagram:	CD0005A05
Enclosure:	TEFC	Mfg Plant:		Mech. Spec:		Layout:	33E138-0673G1
Frame:	D71D	Mounting:	F2	Poles:	04	Created Date:	06-25-2007
Base:		Rotation:	R	Insulation:	F	Eff. Date:	11-16-2016
Leads:	9#18					Replaced By:	
Literature:		Elec. Diagram:					

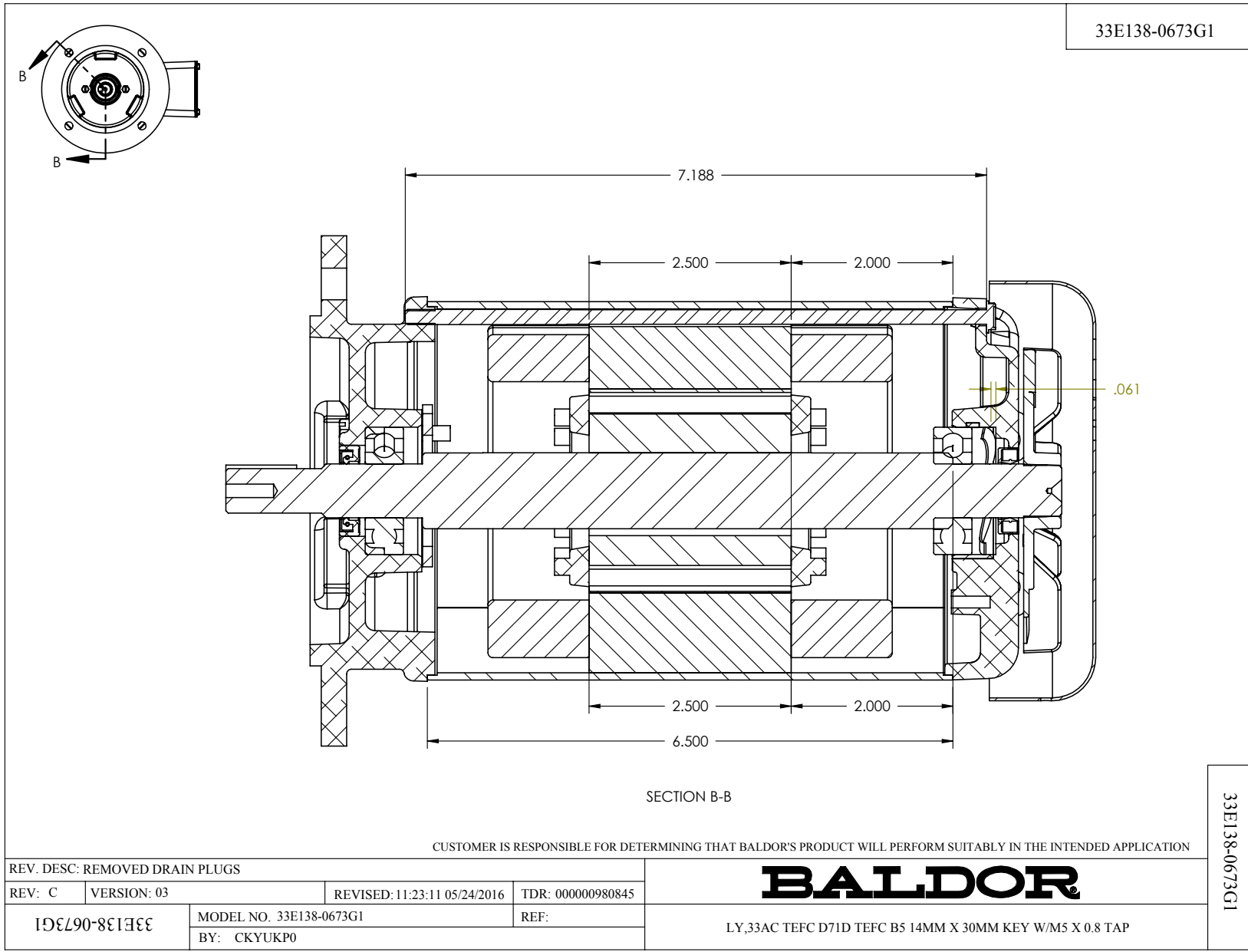
Nameplate NP1379L					
CAT.NO.	MVM3461D				
SPEC.	33E138-0673G1				
IEC FRAME	D71D	K.W.	.37KW TE		
VOLTS	230/460				
AMP	2.4/1.2				
RPM	1725	I.P.	54		
HZ	60	PH	3	CL	F
SER.F.	1.15	DES	B	CODE	-
NEMA-NOM-EFF	71	PF	54		
RATING	40C AMB-CONT				
CC		USABLE AT 208V	2.3		
DE	6203	ODE			
SER. #					
	SFA 2.5/1.25				

Parts List		
Part Number	Description	Quantity
SA010532	SA 33E138-0673G1	1.000 EA
RA006884	RA 33E138-0673G1	1.000 EA
LC0005	CONN.DIA.,TY M,9-LD,DUAL VOLT,REVERSING	1.000 EA
33EP2503A01	33 ENCL. EP MACH. 203 BRG IEC FF130	1.000 EA
HW4600A09	SEAL 0.656 X 1.124 X 0.250 DOUBLE SHIELD	1.000 EA
MJ5001A27	32220KN GRAY SEALER *MIN BUY 4 QTS=1GAL	0.001 QT
34CB3002A16	CB W/.50 N.P.T. @ 6	1.000 EA
34GS1029A05	GASKET, CONDUIT BOX MODEL 34, WHITE 2# E	1.000 EA
51XB1016A07	10-16 X 7/16 HXWSSLD SERTYB	2.000 EA
11XW1032G06	10-32 X .38, TAPTITE II, HEX WSHR SLTD U	1.000 EA
34CB4517	CB LID 4 MTG HOLES .22 DIA STAMPED, FOR	1.000 EA
34GS1031A01	GASKET, FLAT CONDUIT BOX LID (LEXIDE)	1.000 EA
33FN3000SP	EXTERNAL FAN, PLASTIC	1.000 EA
HW1003A08	WASHER, #8 EX TH LK, ZN (F/S)	1.000 EA
33FH4000A01SP	FAN COVER, STAMPED	1.000 EA
11XT1032A06	10-32 X 3/8 HX WSHR HD SLTD TYPE 23	3.000 EA
MG1000G27	MED CHARCOAL METALLIC GREY 400-0096	0.013 GA
HW2504D08	KEY, 5 MM X .875	1.000 EA
51XW0832A07	8-32 X .44, TAPTITE II, HEX WSHR SLTD SE	4.000 EA
33EP3100A01SP	EP,33AC ODE GP 6203 TEFC W/DRAIN	1.000 EA
HW5109A05	WASHER, WAVE SPRING FOR 40MM BORE SMALLE	1.000 EA
HA3100A48	THRUBOLT 10-32 X 7.188	2.000 EA
12XN1032A20	10-32X1 1/4 HXWS SLTD	2.000 EA
MJ5001A27	32220KN GRAY SEALER *MIN BUY 4 QTS=1GAL	0.001 QT

<b>Parts List (continued)</b>		
<b>Part Number</b>	<b>Description</b>	<b>Quantity</b>
ME4000	.375-.75" DIA.#SW-04 WOVEN SHAFT PROTECT	0.100 FT
LB1119N	WARNING LABEL	1.000 EA
MN416A01	TAG-INSTAL-MAINT no wire (1200/bx) 11/14	1.000 EA
34PA1002	PKG GRP, PRINT PK1001A01	1.000 EA
NP1379L	ALUM IEC UL CSA CC	1.000 EA
85XU0407S04	4X1/4 U DRIVE PIN STAINLESS	2.000 EA

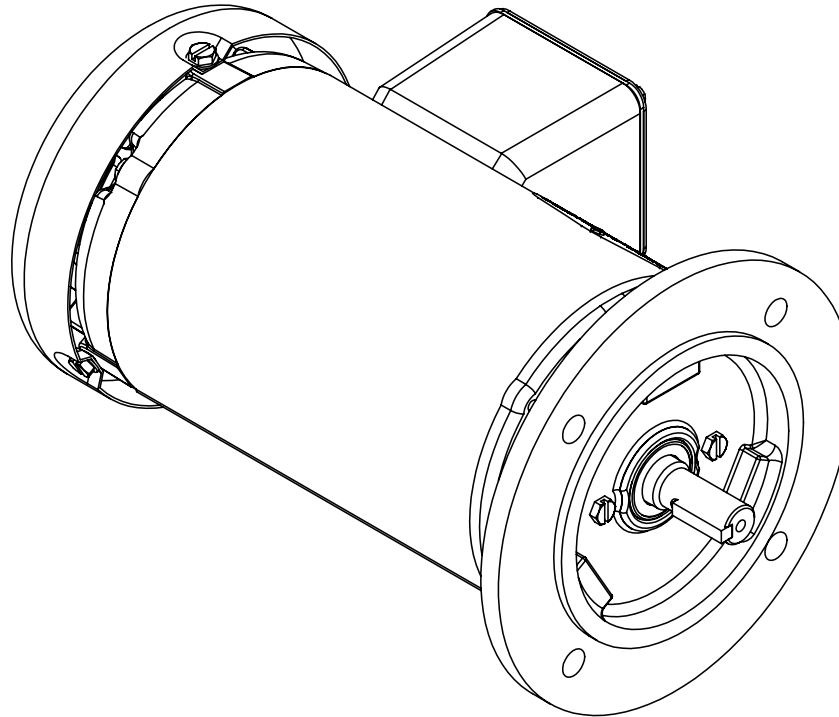
No performance data has been  
assigned to this product.





ITEM NO.	PART NUMBER	QTY.
1	33EP2503A05	1
2	BG6203C03	2
3	HW4600A09	1
4	RB4003A01	1
5	33SH1136B01	1
6	33RC4120-00	1
7	33SA9200B16	1
8	NS2512A01	1
9	34GS1029A05	1
10	34CB3002A16	1
11	51XB1016A07	2
12	11XW1032G06	1
13	34GS1031A03	1
14	34CB4517	1
15	11XT0832S07	4
16	33EP3100A126	1
17	HW5109A05	1
18	HW4600A54	1
19	HA3100S52	2
20	12XN1032S20	2
21	33FN3000	1
22	12XN0832S16	1
23	HW1003S08	1
24	XY0832S02	1
25	33FH4000A01	1
26	11XB1016S06	3
27	HW2504D08	1
28	NP1379L	1
29	99XM0440S01	2
30	LB1119	1
31	LC0005	1

33E138-0673G1



33E138-0673G1

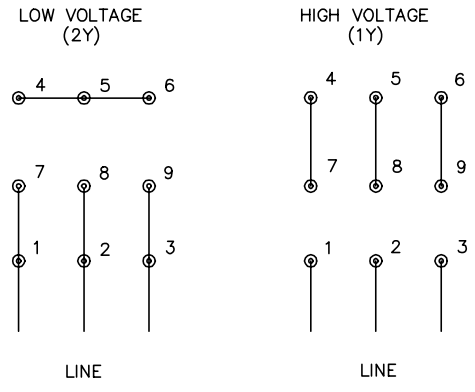
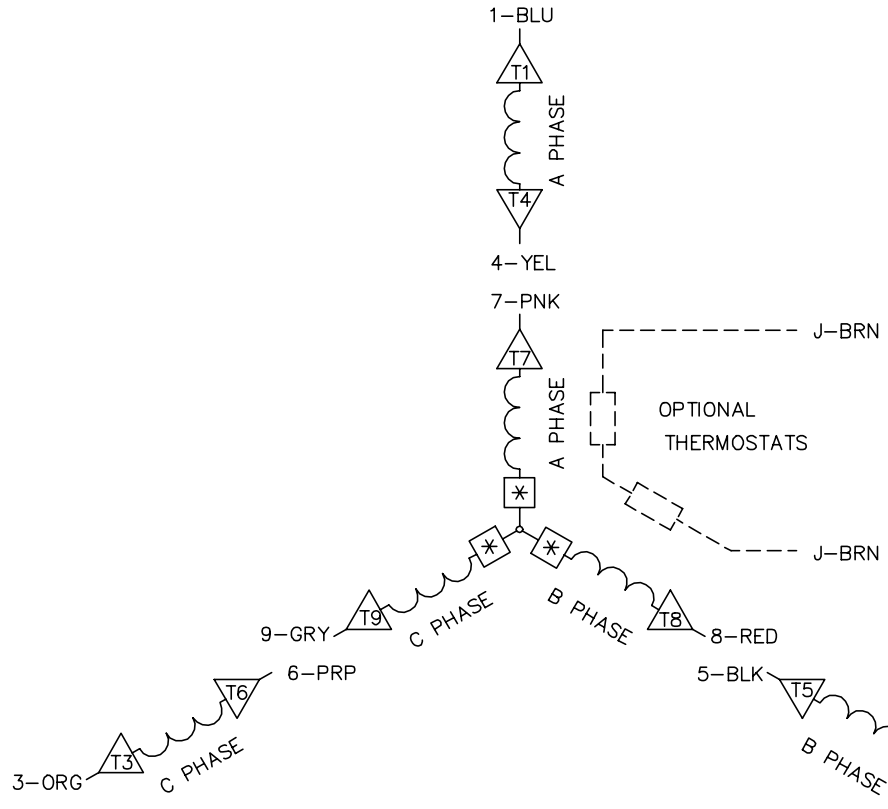
CUSTOMER IS RESPONSIBLE FOR DETERMINING THAT BALDOR'S PRODUCT WILL PERFORM SUITABLY IN THE INTENDED APPLICATION

REV. DESC: REMOVED DRAIN PLUGS			
REV: C	VERSION: 03	REVISED: 11:23:11 05/24/2016	TDR: 00000980845
33E138-0673G1	MODEL NO. 33E138-0673G1		REF:
	BY: CKYUKP0		

**BALDOR**

LY,33AC TEFC D71D TEFC B5 14MM X 30MM KEY W/M5 X 0.8 TAP

CD0005A05



- NOTES:
1. INTERCHANGE ANY TWO LINE LEADS TO REVERSE ROTATION.
  2. OPTIONAL THERMOSTATS ARE PROVIDED WHEN SPECIFIED.
  3. ACTUAL NUMBER OF INTERNAL PARALLEL CIRCUITS MAY BE A MULTIPLE OF THOSE SHOWN ABOVE.
  4. LEAD COLORS ARE OPTIONAL. LEADS MUST ALWAYS BE NUMBERED AS SHOWN.
  5. =MAGNET WIRE COIL END WITH I.D. NUMBER.
  6. =MAGNET WIRE COIL END WITH I.D. SYMBOL.
  7. SEE CW PRINT FOR NEST TO NEST CROSSOVER CONNECTIONS.

CD0005A05

REV. DESC: ADD NEST NOTE			
REV. LTR: C	VERSION: 03	TDR: 000000445597	
CD0005A05	FILE: \CKA\00024\847	REVISED: 12:51:06 11/15/2007	
	MTL: -	BY: CKMICRO	

**BALDOR • DODGE • RELIANCE**

3PH, DV, 9 LEADS, CK