

BALDOR® • **RELIANCE**

Product Information Packet

OF3360T

60HP, 1125RPM, 3PH, 60HZ, 404T, 1654M, OPEN, F2

Part Detail							
Revision:	M	Status:	PRD/A	Change #:		Proprietary:	No
Type:	AC	Prod. Type:	A40054M	Elec. Spec:	A40WG0517	CD Diagram:	416820-004
Enclosure:	DP	Mfg Plant:		Mech. Spec:		Layout:	611750-001
Frame:	404T	Mounting:	F2	Poles:	06	Created Date:	10-19-2010
Base:		Rotation:	R	Insulation:	F	Eff. Date:	08-12-2015
Leads:	6#6					Replaced By:	
Literature:		Elec. Diagram:					

Nameplate NP2531L			
CAT.NO.	OF3360T	SPEC NO.	P40G733
HP	60	PHASE	3
RPM	1130	DESIGN	D
VOLTS	460/796	TYPE	P
AMPS	71.6/41.3	AMB	40
DRIVE END BEARING	80BC03J30X	SF	1.15
OPP D.E. BEARING	80BC03J30X	INSUL.CLASS	F
SER.NO.	OVER TEMP PROT 2	ENCL	DP
		CODE	G
		NEMA-NOM-EFFICIENCY	89.5
		MOTOR WEIGHT	1024
		FRAME	404T
		DUTY	CONT

Parts List		
Part Number	Description	Quantity
SA209104	SA P40G733	1.000 EA
RA196367	RA P40G733	1.000 EA
NP2531L	INDUSTRIAL MOTOR,SS, CSA-C US,	1.000 EA
000692000VD	LABEL WARNING	1.000 EA
004824015A	GREASE POLYREX EM	0.884 LB
032018006AK	HHCS 1/4-20X3/4L PLATED	1.000 EA
032018008AK	HHCS 1/4-20X1 PLATED	4.000 EA
032018020DK	HHCS 1/2-13X2-1/2 PLTD.	2.000 EA
032018026DK	HHCS 1/2-13X3-1/4L PLTD.	2.000 EA
032018030CK	HHCS 3/8-16X3-3/4 PLATED	3.000 EA
032375008JB	RHMS 10-24X1L PLATED	16.000 EA
034000012AB	WSHR 1/4 STD. PLATED	4.000 EA
034017012AB	LCKW 1/4 STD. PLATED	4.000 EA
035000001A	ALFTG 1/8" 1610-BL	1.000 EA
035000001A	ALFTG 1/8" 1610-BL	1.000 EA
089407052A	BRKT 400 089407052WCB	1.000 EA
405851012AC	SPACE	4.000 EA
702609001A	BAFFL 400 SUB PAINT	1.000 EA
702617017A	SCREN - 400	1.000 EA
089407052A	BRKT 400 089407052WCB	1.000 EA
405851012AC	SPACE	4.000 EA
702609001A	BAFFL 400 SUB PAINT	1.000 EA
702617017A	SCREN - 400	1.000 EA
032018006AK	HHCS 1/4-20X3/4L PLATED	1.000 EA

Parts List (continued)		
Part Number	Description	Quantity
032018008AK	HHCS 1/4-20X1 PLATED	4.000 EA
032018020DK	HHCS 1/2-13X2-1/2 PLTD.	2.000 EA
032018026DK	HHCS 1/2-13X3-1/4L PLTD.	2.000 EA
032018030CK	HHCS 3/8-16X3-3/4 PLATED	3.000 EA
034000012AB	WSHR 1/4 STD. PLATED	4.000 EA
034017012AB	LCKW 1/4 STD. PLATED	4.000 EA
034000012AB	WSHR 1/4 STD. PLATED	1.000 EA
034000012AB	WSHR 1/4 STD. PLATED	1.000 EA
410700000DA	WAVY SPRING WASHER	1.000 EA
415090010A	CLIP (400)	4.000 EA
415090011A	CLIP (400)	4.000 EA
603522021A	LOUV 400 SUB PAINT	2.000 EA
604967032A	LOUV, PAINTED 440	2.000 EA
032018004AK	HHCS 1/4-20X1/2 PLATED	4.000 EA
032018008CK	HHCS 3/8-16X1L PLATED	4.000 EA
033512004LB	HHTTS 1/4-20X1/2 PLTD.	1.000 EA
048897010DH	BUSH - 400	1.000 EA
077176000L	C/BOX, PAINTED 360-400	1.000 EA
077176001A	CBOXC, PAINTED 360-400	1.000 EA
415000103D	T/LUG #4AWG-1/0AWG W/HOLE FOR .250 BOLT	1.000 EA
MG1025G03	WILKOFAS, 789.901, OIL RIG SILVER	0.500 GA
033775004EA	DRSCR #6-1/4 304 S.S.	4.000 EA
034180044JA	KEY 3/4X3/4X5-1/2 L	1.000 EA
421948037	LABEL, MYLAR	1.000 EA

Product Information Packet: OF3360T - 60HP,1125RPM,3PH,60HZ,404T,1654M,OPEN,F2

PK5004A02	WOOD BASE 40X32 STACK 2X4 RUNNER	1.000 EA
035000001G	GREASE RELIEF FITTING, ALEMITE 317400	1.000 EA
034600001AB	BUSH 1/4X1/8 PLATED	1.000 EA
034600001AB	BUSH 1/4X1/8 PLATED	1.000 EA
035000001G	GREASE RELIEF FITTING, ALEMITE 317400	1.000 EA

REL. S.O.	FRAME	HP	TYPE	PHASE/HERTZ	RPM	VOLTS
	404T	60	P	3/60	1130	460/796
AMPS	DUTY	AMB °C/INSUL.	S.F.	NEMA DESIGN	CODE LETTER	ENCL.
71.6/41.3	CONT	40/F	1.0	D	G	ODP
E/S	ROTOR	TEST S.O.	TEST DATE	STATOR RES. @25 °C (OHMS BETWEEN LINES)		
596135	418142075DA	---	---	.112/.337		

PERFORMANCE

LOAD	HP	AMPERES	RPM	POWER FACTOR %	EFFICIENCY %
NO LOAD	0	12.2	1200	6.73	0
1/4	15.0	15.7	1183	57.9	89.2
2/4	30.0	22.6	1166	78.5	91.6
3/4	45.0	31.3	1148	85.5	91.0
4/4	60.0	41.3	1128	87.8	89.5
5/4	75.0	51.8	1105	89.6	87.5

SPEED TORQUE

	RPM	TORQUE % FULL LOAD	TORQUE LB.-FT.	AMPERES
LOCKED ROTOR	0	289	807	251
PULL UP	0	289	807	251
BREAKDOWN	750	324	906	197
FULL LOAD	1128	100	279	41.3

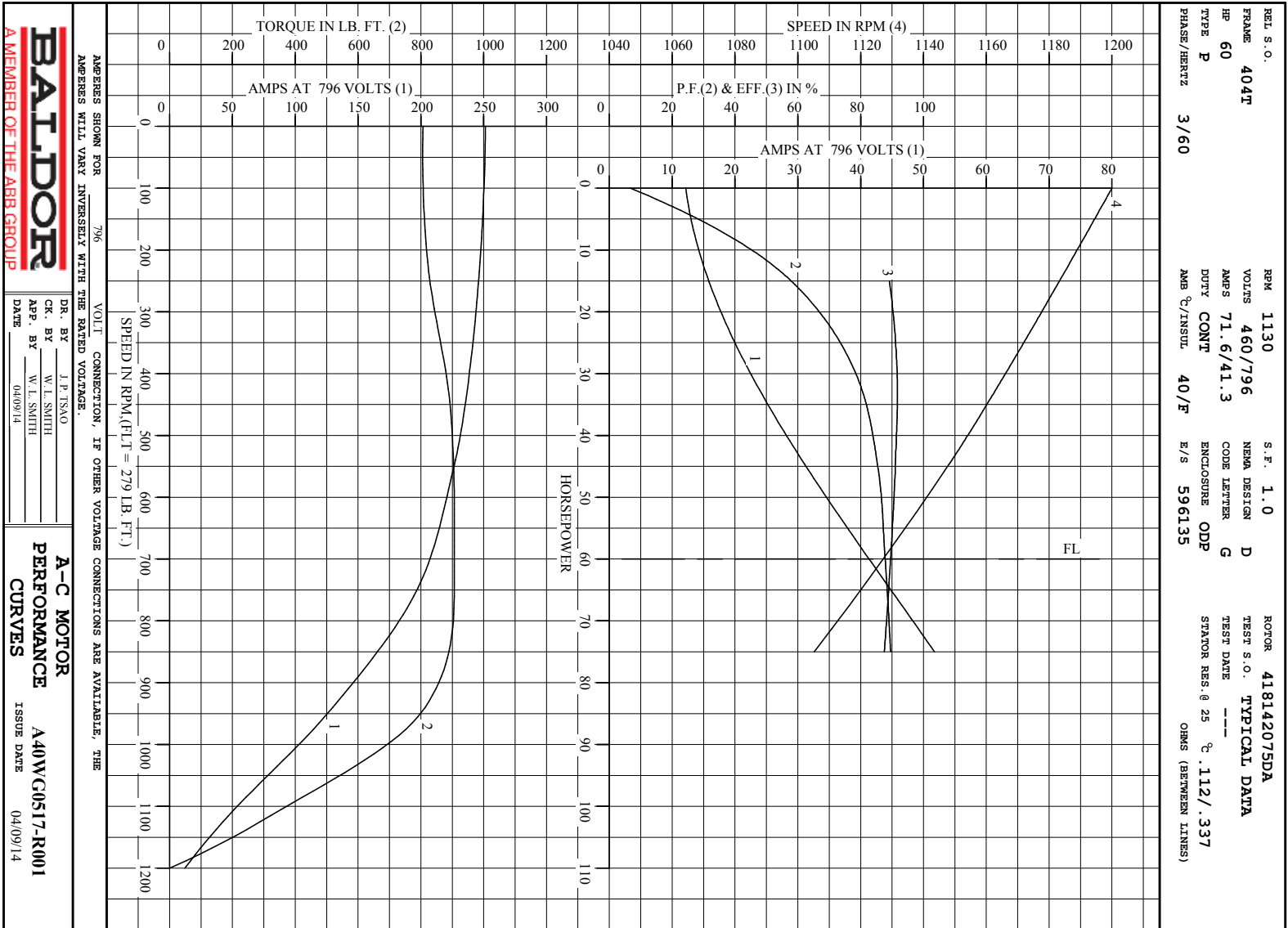
AMPERES SHOWN FOR 796. VOLT CONNECTION. IF OTHER VOLTAGE CONNECTIONS ARE AVAILABLE, THE AMPERES WILL VARY INVERSELY WITH THE RATED VOLTAGE

REMARKS: TYPICAL DATA



DR. BY J. P. TSNO
 CK. BY W. L. SMITH
 APP. BY W. L. SMITH
 DATE 04/09/14

A-C MOTOR PERFORMANCE DATA
 A40WG0517-R001
 ISSUE DATE 04/09/14



Printed on 4/14/14 14:01 @ zagsun

611750-001

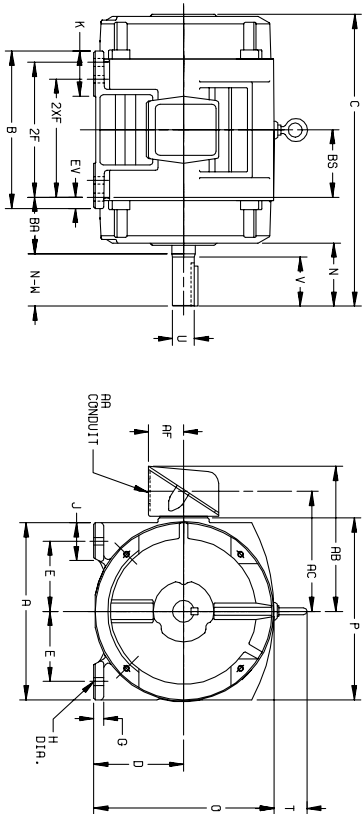
DUTY MASTER ALTERNATING CURRENT MOTORS

SQUIRREL-CAGE INDUCTION

ENCLOSURE: PROTECTED
MOUNTING: FOOT

FRAMES 250T THRU 440T

COOLING: SELF-VENTILATED



DIMENSIONS ARE IN INCHES

FRAME	A	D(2)	E	G	H	J	K	O	P	T	STEEL TERMINAL BOX						EV
											AA	AB	AC	AF	BA	EA	
254T-256T	12.50	6.25	5.00	.69	.56	2.25	3.50	12.81	12.69	2.44	1-1/4	10.19	8.19	2.50	4.25	.62	
284T-286T	14.00	7.00	5.50	.75	.56	2.75	3.75	14.12	14.31	2.44	1-1/2	12.19	9.44	3.19	4.75	1.00	
324T-326T	15.75	8.00	6.25	.88	.69	3.12	4.00	16.10	16.42	2.44	2	14.25	10.75	4.25	5.25	1.00	
364T-366T	17.00	9.00	7.00	.88	.69	3.00	3.62	18.30	19.56	2.94	3	18.06	14.00	5.38	5.88	1.00	
404T-406T	19.00	10.00	8.00	1.12	.81	3.25	4.75	20.56	21.81	2.94	3	19.06	15.00	4.38	6.62	1.12	
444T-446T	21.00	11.00	9.00	1.12	.81	3.25	5.25	22.91	23.62	3.25	3	22.62	17.38	5.50	7.50	1.25	

FRAME	SIZE	C	BS	B	ZF	N	O	P	T	SHAFT AND KEY			WEIGHT (LBS.) (5)
										N-W(6)	U(3)	V	
254T	22.44	5.00	11.25	---	8.25	4.25	4.00	1.625	3.75	.375	2.75	.265	
256T	22.44	5.00	11.25	10.00	---	4.25	4.00	1.625	3.75	.375	2.75	.275	
284T	24.94	5.50	13.00	---	9.50	4.88	4.62	1.875	4.38	.500	3.25	.340	
286T	24.94	5.50	13.00	---	9.50	3.50	3.25	1.625	3.00	.375	1.88	.370	
286T	23.56	5.50	13.00	11.00	---	4.88	4.62	1.875	4.38	.500	3.25	.370	
286T	23.56	5.50	13.00	11.00	---	3.50	3.25	1.625	3.00	.375	1.88	.370	
324T	27.56	6.00	14.00	---	10.50	5.50	5.25	2.125	5.00	.500	3.75	.465	
324T	27.56	6.00	14.00	14.00	---	4.00	4.00	3.75	1.875	.500	2.00	.505	
326T	27.56	6.00	14.00	14.00	12.00	5.50	5.25	2.125	5.00	.500	3.75	.505	
326T	26.06	6.00	14.00	12.00	---	4.00	3.75	1.875	3.50	.500	2.00	.505	
364T	28.70	6.12	14.25	---	11.25	6.12	3.88	2.375	5.62	.625	4.25	.710	
364T	28.70	6.12	14.25	12.25	---	6.12	3.88	2.375	5.62	.625	4.25	.755	
365T	29.70	6.12	14.25	12.25	---	4.00	3.75	1.875	3.50	.500	2.00	.750	
365T	27.56	6.12	14.25	12.25	---	6.12	3.88	2.375	5.62	.625	4.25	.755	
404T	34.00	6.88	16.00	---	12.25	7.62	4.25	2.125	7.00	.750	5.50	1.020	
404T	34.00	6.88	16.00	16.00	---	4.00	3.75	1.875	3.50	.500	2.00	.750	
405T	34.00	6.88	16.00	13.75	---	7.62	4.25	2.125	7.00	.750	5.50	1.065	
405T	31.00	6.88	16.00	13.75	---	4.62	4.25	2.125	4.00	.500	2.75	1.060	
444T	39.56	8.25	19.00	---	14.50	8.94	8.50	3.375	8.25	.875	6.88	1.715	
444T	39.56	8.25	19.00	19.00	---	4.75	4.75	2.375	4.50	.625	3.00	1.750	
445T	39.56	8.25	19.00	16.50	---	8.94	8.50	3.375	8.25	.875	6.88	1.750	
445T	35.81	8.25	19.00	16.50	---	5.19	4.75	2.375	4.50	.625	3.00	1.750	

- (1) SPECIAL DIMENSIONS APPLYING TO THIS ORDER ON THIS LINE. CONDUIT BOX LOCATED ON OPPOSITE SIDE WHEN F-2-W-1.
- (2) "D" VARIES [290T - 320T +.00, -.03. W-4-W-5-W-7, OR C-1 MOUNTING IS SPECIFIED.
- (3) "U" VARIES +.000, -.001 IF MOUNTING CLEARANCE DETAILS ARE REQUIRED, CONSULT FACTORY.
- (4) ALL FRAMES HAVE EIGHT MOUNTING HOLES FOR DUAL MAXIMUM PERMISSIBLE SHAFT RUNOUT WHEN MEASURED AT END OF STD. SHAFT EXTENSION IS .002 T.I.R. UP TO AND INCLUDING 1.625 DIA. AND .005 T.I.R. ABOVE 1.625 TO 5 INCH DIA.
- (5) MOTOR WEIGHTS MAY VARY BY 15% DEPENDING UPON RATING.

FRAMES "N"-W VARIES +.00, -.25
 ORDER _____ ITEM _____ HP _____ CERTIFIED FOR _____ RPM _____ PH _____ HZ _____ VOLTS _____
 SALES ORDER _____ APPROVED BY _____ DATE _____

100-057119

CUSTOMER IS RESPONSIBLE FOR DETERMINING THAT BALDOR'S PRODUCT WILL PERFORM SUITABLY IN THE INTENDED APPLICATION.

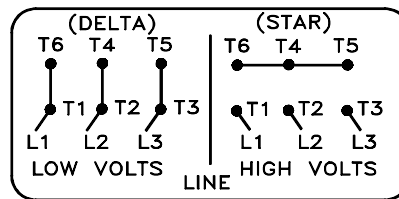
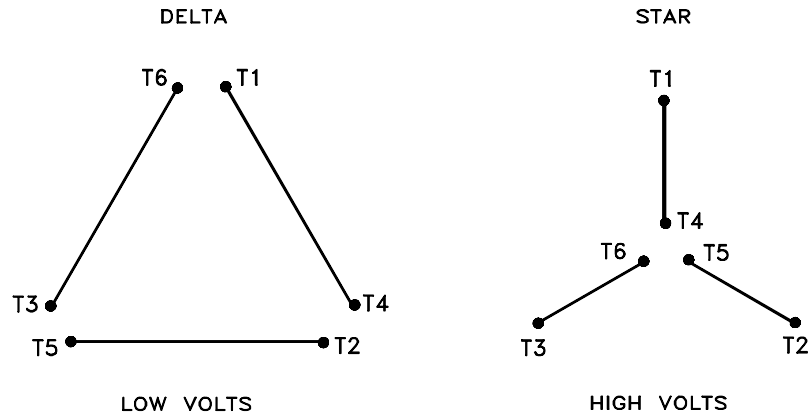
REV. DESC: ASSIGNED TO BUSLOAD	VERSION: 01	TDR: 000000489455
REV. LTR: A	REVISED: 15:03:33 02/02/2009	BY: RAGZJR
FILE: \RAG\00008\297		
MTL: -		

Baldor • Dodge • Reliance

DIM SHT PROT SV FT 250-440T
SH 1 of 1

416820-004

A-C MOTOR
CONNECTION DIAGRAM
STANDARD 6 LEAD (DELTA/STAR CONNECTED)
DUAL VOLTAGE (LOW VOLTS/HIGH VOLTS)



(N.P. 1767-CC)

416820-004

REV. DESC: ADDED CLASSIFICATONS		
REV. LTR: B	VERSION: 02	TDR: 000000539297
FILE: \RSN\00017\950	REVISED: 11:58:09 05/04/2010	
MTL: -	BY: RAGRA	

BALDOR

A-C MOTOR CONNECTION DIAGRAM

SH 1 of 1

Marketing maintained PDF of MN408:

<http://www.baldor.com/support/Literature/Load.ashx/MN408?ManNumber=MN408>

Marketing maintained PDF of MN416:

<http://www.baldor.com/support/Literature/Load.ashx/MN416?ManNumber=MN416>