

BALDOR® • **RELIANCE**

Product Information Packet

RL1304A

.5HP,1725RPM,1PH,60HZ,56,3418L,OPEN,F1,N

Part Detail							
Revision:	F	Status:	PRD/A	Change #:		Proprietary:	No
Type:	AC	Prod. Type:	3418L	Elec. Spec:	34WG5595	CD Diagram:	CD0052
Enclosure:	OPEN	Mfg Plant:		Mech. Spec:	34G036	Layout:	34LYG036
Frame:	56	Mounting:	F1	Poles:	04	Created Date:	03-12-2013
Base:	RS	Rotation:	RS	Insulation:	B	Eff. Date:	02-08-2016
Leads:	6#18,1#16 #1TH					Replaced By:	
Literature:		Elec. Diagram:					

Nameplate NP1257L	
CAT.NO.	RL1304A
SPEC.	34G036-5595G1
HP	.5
VOLTS	115/230
AMP	8.4/4.2
RPM	1725
FRAME	56
	HZ 60
	PH 1
SER.F.	1.25
	CODE K
	DES N
	CL B
NEMA-NOM-EFF	62
	PF 62
RATING	40C AMB-CONT
CC	USABLE AT 208V 4.8
DE	6203
	ODE 6203
ENCL	OPEN
	SN
	SFA 9.2/4.6

Parts List		
Part Number	Description	Quantity
SA259857	SA 34G036-5595G1	1.000 EA
RA246612	RA 34G036-5595G1	1.000 EA
EC1270A02SP	ELEC CAP, 270-324 MFD, 125V, 1.48D X 3.	1.000 EA
34EP3202A01SP	FR ENDPLATE, MACH	1.000 EA
51XW0832A07	8-32 X .44, TAPTITE II, HEX WSHR SLTD SE	3.000 EA
11XT0832G06	8-32 X 3/8 TY 23 TAPPING	1.000 EA
WD4100A01	DP-875 HEYCO PLUG OR 62MP0875 MICRO PLAS	1.000 EA
RM1000A03	CUSHION RING, MDL 17-33-34	1.000 EA
HA6004A01A	CLAMP CUSHION RING ASSY	1.000 EA
LD5000A52	LEAD ASSY W/INTERNAL STAR RING TERMINALS	1.000 EA
11XT1032A06	10-32 X 3/8 HX WSHR HD SLTD TYPE 23	2.000 EA
NS2500A01	INSULATOR, AUTO THER PROT	1.000 EA
34CB4800SP	CAPACITOR COVER, STAMPED PRIMED	1.000 EA
51XB1016A05	10-16X5/16HX WA SL SR TYB (F/S)	2.000 EA
HW5100A03SP	WAVY WASHER (W1543-017)	1.000 EA
34EP3203A01	PU ENDPLATE, MACH	1.000 EA
XY1032A02	10-32 HEX NUT DIRECTIONAL SERRATION	4.000 EA
RM1000A03	CUSHION RING, MDL 17-33-34	1.000 EA
HA6004A01A	CLAMP CUSHION RING ASSY	1.000 EA
34CB4501SP	TERMINAL BOX LID, STAMPED X (PLATED)	1.000 EA
51XW0832A07	8-32 X .44, TAPTITE II, HEX WSHR SLTD SE	4.000 EA
HW2501D13	KEY, 3/16 SQ X 1.375	1.000 EA
HA7000A04	KEY RETAINER 0.625 DIA SHAFTS	1.000 EA
10XF0440S02	04-40 X 1/8 TYPE F HEX HD STAINLESS STIC	2.000 EA

Parts List (continued)		
Part Number	Description	Quantity
WD1000A15	3-520132-2 AMP FLAG (4M/RL NON-CANC/NON-	1.000 EA
WD1000A16	2-520128-2 AMP FLAG TERMINAL(4M/RL)	6.000 EA
34BA4011J01	RESILIENT BASE, MODEL 34, NEMA 56H	1.000 EA
SP5068A01	34L TERM PANEL STAT SWITCH #E-6"	1.000 EA
HA3100A44	THRUBOLT 10-32 X 8.000	4.000 EA
LB1118	LABEL,WARNING (ROLL LABEL)	1.000 EA
LC0052	CONNECTION LABEL	1.000 EA
MN416A01	TAG-INSTAL-MAINT no wire (1200/bx) 11/14	1.000 EA
NP1257L	ALUM UL CSA CC THERMAL REV MTG	1.000 EA
35PA1000	PKG GRP, PRINT PK1008A06	1.000 EA

AC Induction Motor Performance Data
Record # 6782 - Typical performance - not guaranteed values

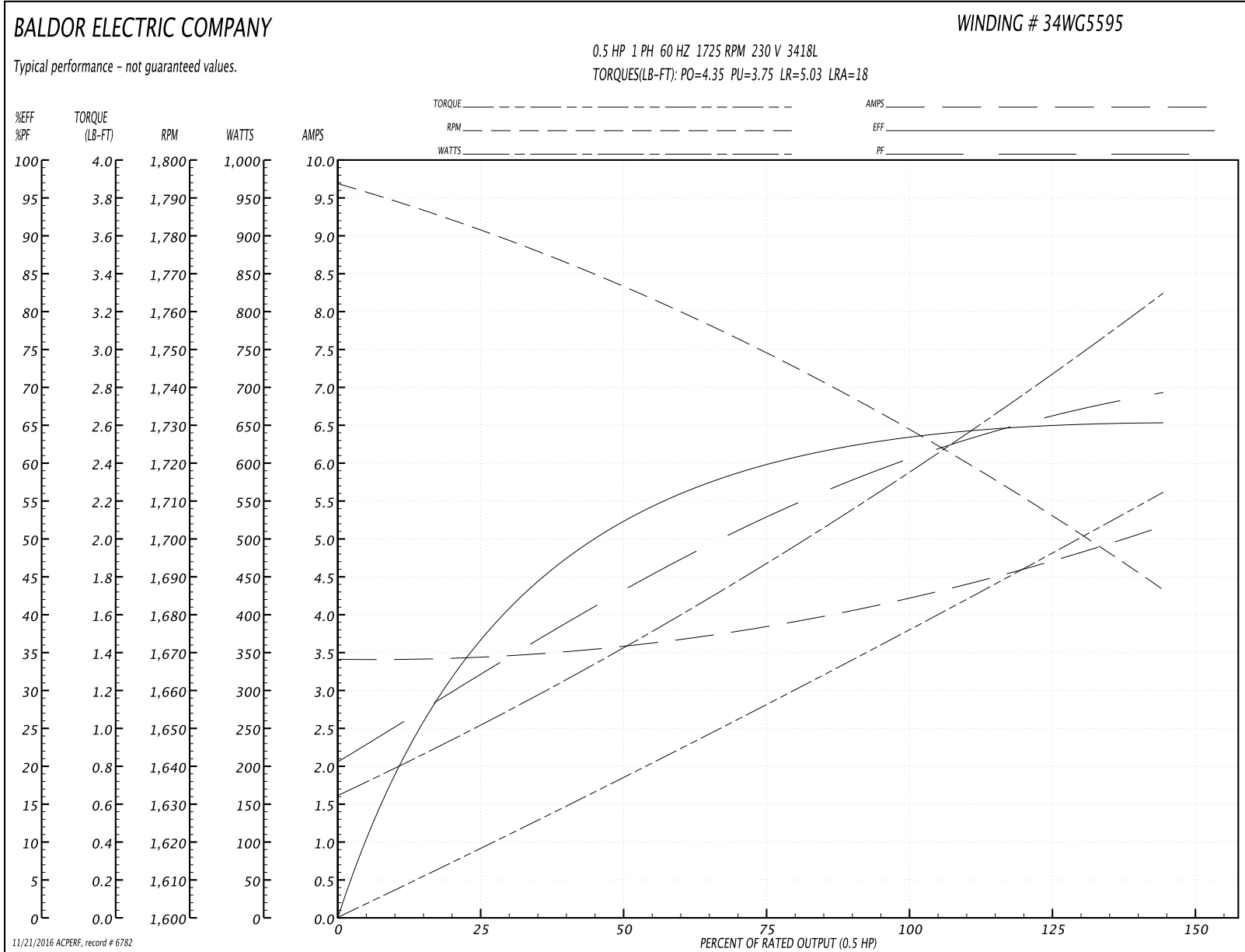
Winding: 34WG5595-R001	Type: 3418L	Enclosure: OPEN
-------------------------------	--------------------	------------------------

Nameplate Data				230 V, 60 Hz: High Voltage Connection	
Rated Output (HP)	.5			Full Load Torque	1.5 LB-FT
Volts	115/230			Start Configuration	direct on line
Full Load Amps	8.4/4.2			Breakdown Torque	4.35 LB-FT
R.P.M.	1725			Pull-up Torque	3.75 LB-FT
Hz	60	Phase	1	Locked-rotor Torque	5.03 LB-FT
NEMA Design Code	N	KVA Code	K	Starting Current	18 A
Service Factor (S.F.)	1.25			No-load Current	3.4 A
NEMA Nom. Eff.	62	Power Factor	62	Line-line Res. @ 25°C	4.24 Ω A Ph 3.24 Ω B Ph
Rating - Duty	40C AMB-CONT			Temp. Rise @ Rated Load	66°C
S.F. Amps	9.2/4.6			Temp. Rise @ S.F. Load	78°C

Load Characteristics 230 V, 60 Hz, 0.5 HP

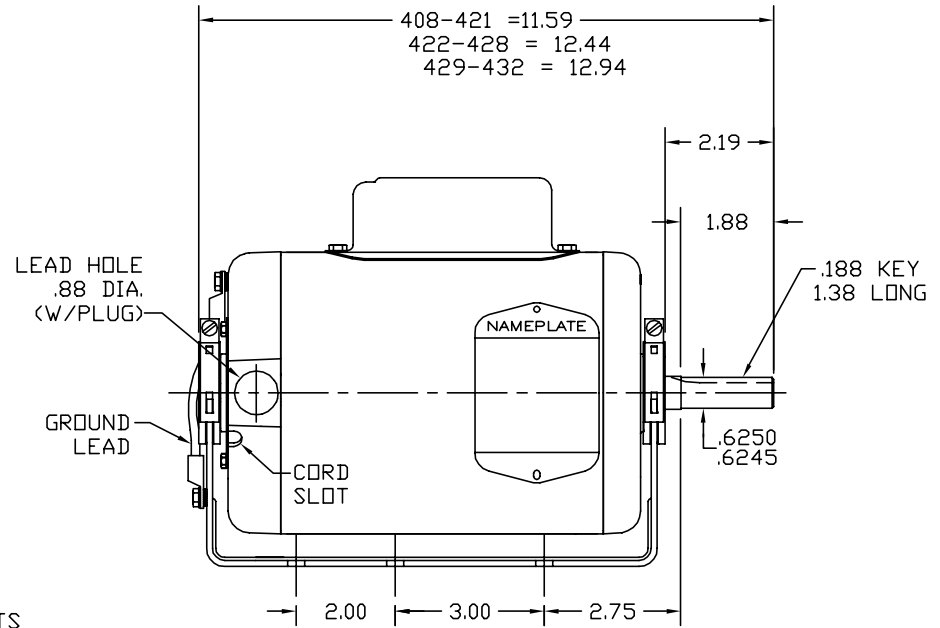
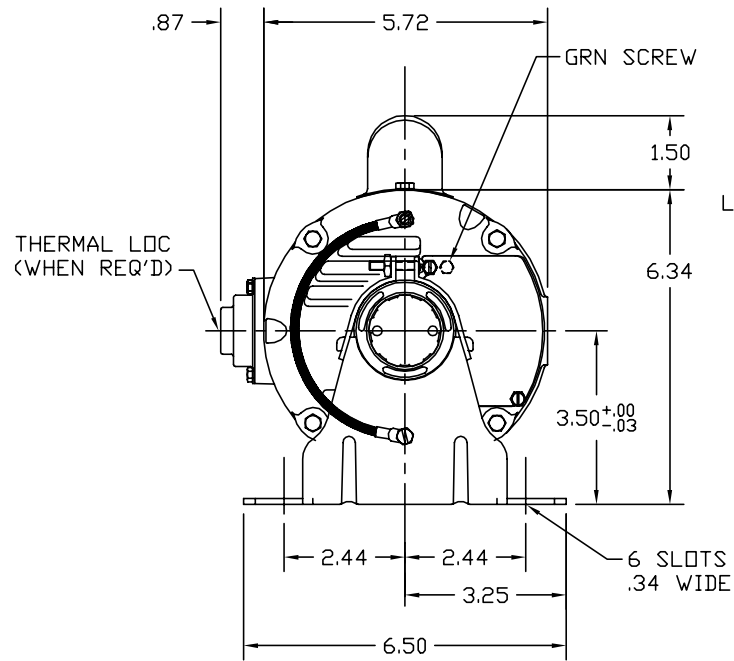
% of Rated Load	25	50	75	100	125	150	S.F.
Power Factor	30	42	53	62	69	77	69
Efficiency	36	52	60	64	65	65	65
Speed	1780	1765	1750	1730	1711	1685	1711
Line amperes	3.45	3.6	3.85	4.2	4.6	5.2	4.6

Performance Graph at 230V, 60Hz, 0.5HP Typical performance - Not guaranteed values



11/21/2016 ACPERF: record # 6782

34LYG036



CUSTOMER IS RESPONSIBLE FOR DETERMINING THAT BALDOR'S PRODUCT WILL PERFORM SUITABLY IN THE INTENDED APPLICATION.

REV. DESC: CORRECTED SHAFT ORIENTATION ON DRIVE END		
REV. LTR: B	VERSION: 01	TDR: 000000487627
FILE: \AAA\00091\375		REVISED: 10:19:58 01/22/2009
MTL: -		BY: ENTERDO

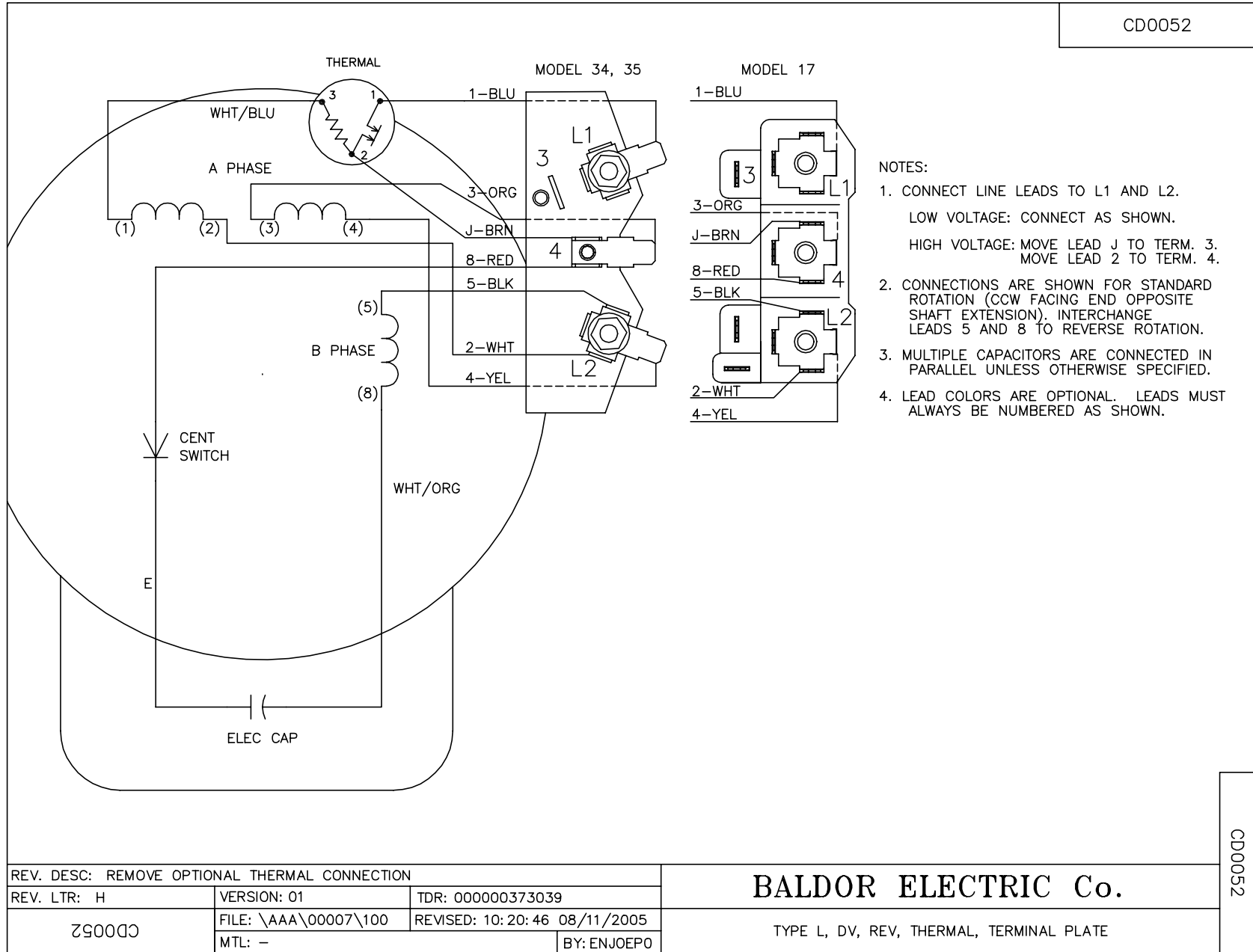
BALDOR • DODGE • RELIANCE

STD RESIL. MTD OPEN 34L NEMA 56/56H TERM. PLATE

SH 1 of 1

34LYG036

CD0052



CD0052

REV. DESC: REMOVE OPTIONAL THERMAL CONNECTION		
REV. LTR: H	VERSION: 01	TDR: 000000373039
Z90052	FILE: \AAA\00007\100	REVISED: 10:20:46 08/11/2005
	MTL: -	BY: ENJOEPO

BALDOR ELECTRIC Co.

TYPE L, DV, REV, THERMAL, TERMINAL PLATE