

BALDOR® • **RELIANCE**

Product Information Packet

RL1306A

.75HP,3450RPM,1PH,60HZ,56,3420L,OPEN,F1

Part Detail							
Revision:	X	Status:	PRD/A	Change #:		Proprietary:	No
Type:	AC	Prod. Type:	3420L	Elec. Spec:	34WG0192	CD Diagram:	CD0052
Enclosure:	OPEN	Mfg Plant:		Mech. Spec:	34K018	Layout:	34LYK018
Frame:	56	Mounting:	F1	Poles:	02	Created Date:	
Base:	RS	Rotation:	RS	Insulation:	B	Eff. Date:	04-13-2016
Leads:	6#18,1#14 #1TH					Replaced By:	
Literature:		Elec. Diagram:					

Nameplate NP1257L	
CAT.NO.	RL1306A
SPEC.	34K18-192
HP	.75
VOLTS	115/230
AMP	11/5.5
RPM	3450
FRAME	56
	HZ 60
	PH 1
SER.F.	1.25
	CODE J
	DES N
	CL B
NEMA-NOM-EFF	71
	PF 68
RATING	40C AMB-CONT
CC	USABLE AT 208V 5.6
DE	6203
	ODE 6203
ENCL	OPEN
	SN
	SFA 12/6

Parts List		
Part Number	Description	Quantity
SA008103	SA 34K18-192	1.000 EA
RA004550	RA 34K18-192	1.000 EA
EC1130A02SP	ELEC CAP, 130-156 MFD, 125V, 1.48D X 3.3	1.000 EA
34CB4501SP	TERMINAL BOX LID, STAMPED X (PLATED)	1.000 EA
51XW0832A07	8-32 X .44, TAPTITE II, HEX WSHR SLTD SE	2.000 EA
11XT0832G06	8-32 X 3/8 TY 23 TAPPING	1.000 EA
LD5000A52	LEAD ASSY W/INTERNAL STAR RING TERMINALS	1.000 EA
11XT1032A06	10-32 X 3/8 HX WSHR HD SLTD TYPE 23	2.000 EA
51XW0832A07	8-32 X .44, TAPTITE II, HEX WSHR SLTD SE	3.000 EA
34EP3202A01SP	FR ENDPLATE, MACH	1.000 EA
RM1000A03	CUSHION RING, MDL 17-33-34	1.000 EA
HA6004A01A	CLAMP CUSHION RING ASSY	1.000 EA
WD4100A01	DP-875 HEYCO PLUG OR 62MP0875 MICRO PLAS	1.000 EA
RM1000A03	CUSHION RING, MDL 17-33-34	1.000 EA
HA6004A01A	CLAMP CUSHION RING ASSY	1.000 EA
NS2500A01	INSULATOR, AUTO THER PROT	1.000 EA
34CB4800SP	CAPACITOR COVER, STAMPED PRIMED	1.000 EA
51XB1016A05	10-16X5/16HX WA SL SR TYB (F/S)	2.000 EA
WD1000A16	2-520128-2 AMP FLAG TERMINAL(4M/RL)	6.000 EA
HW5100A03SP	WAVY WASHER (W1543-017)	1.000 EA
34EP3203A01	PU ENDPLATE, MACH	1.000 EA
XY1032A02	10-32 HEX NUT DIRECTIONAL SERRATION	4.000 EA
HW2501D13	KEY, 3/16 SQ X 1.375	1.000 EA
HA7000A04	KEY RETAINER 0.625 DIA SHAFTS	1.000 EA

Parts List (continued)		
Part Number	Description	Quantity
MG1000G27	MED CHARCOAL METALLIC GREY 400-0096	0.014 GA
10XF0440S02	04-40 X 1/8 TYPE F HEX HD STAINLESS STIC	2.000 EA
SP5068A01	34L TERM PANEL STAT SWITCH #E-6"	1.000 EA
HA3100A44	THRUBOLT 10-32 X 8.000	4.000 EA
34BA4003J01	RESILIENT BASE, MODEL 34 NEMA 56	1.000 EA
LB1118	LABEL,WARNING (ROLL LABEL)	1.000 EA
LC0052	CONNECTION LABEL	1.000 EA
NP1257L	ALUM UL CSA CC THERMAL REV MTG	1.000 EA
34PA1002	PKG GRP, PRINT PK1001A01	1.000 EA

AC Induction Motor Performance Data
Record # 6555 - Typical performance - not guaranteed values

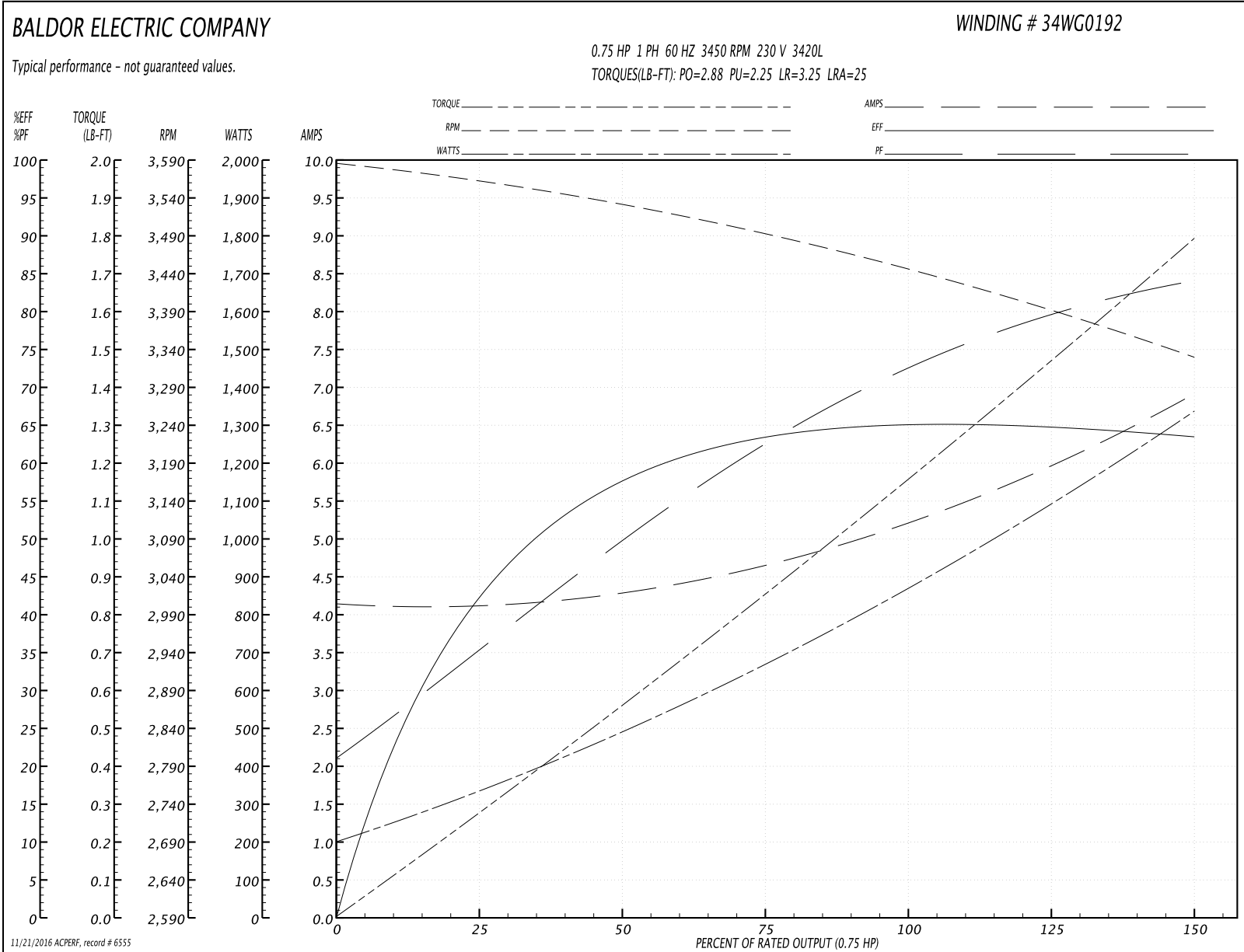
Winding: 34WG0192-R001	Type: 3420L	Enclosure: OPEN
-------------------------------	--------------------	------------------------

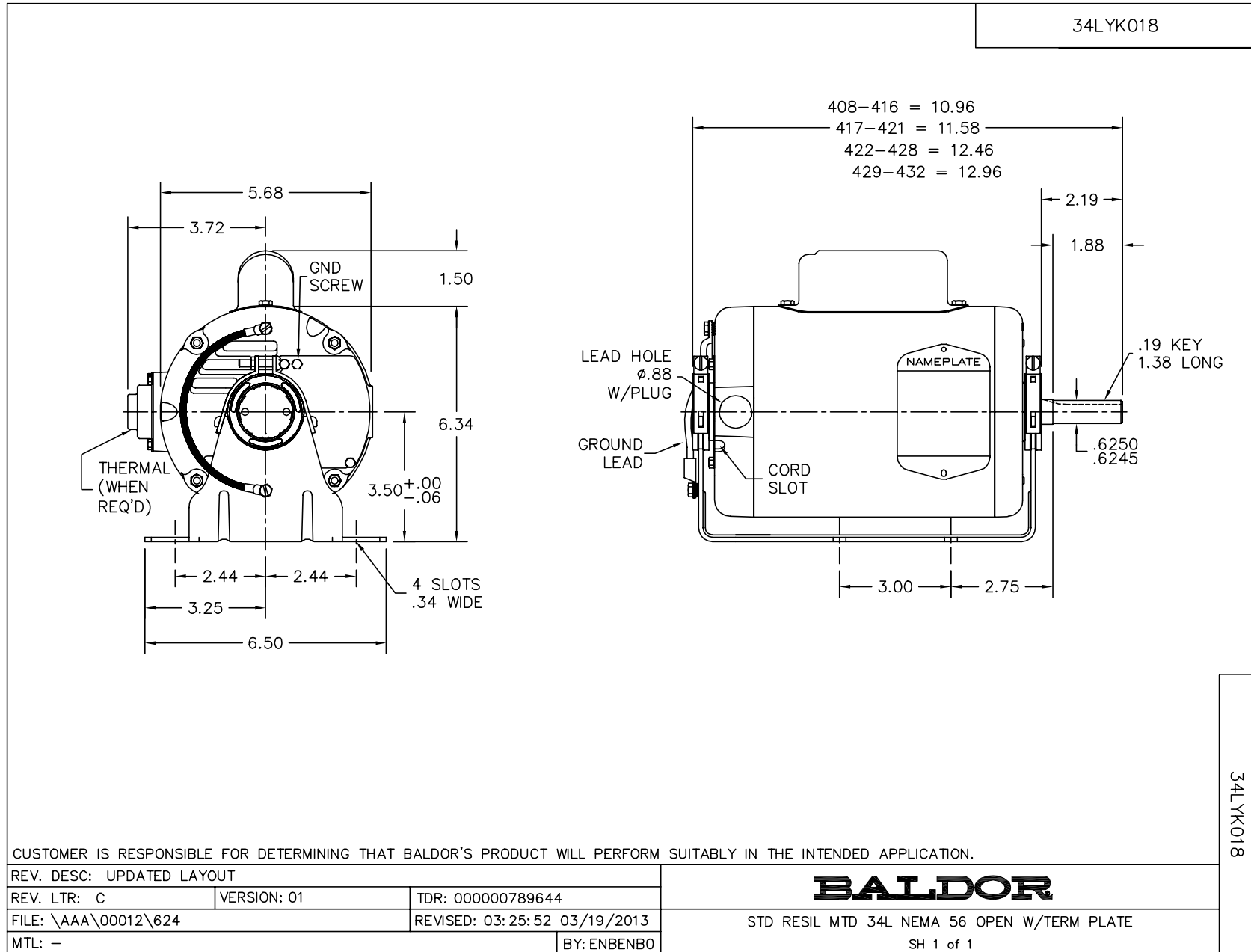
Nameplate Data				230 V, 60 Hz: High Voltage Connection	
Rated Output (HP)	.75			Full Load Torque	1.2 LB-FT
Volts	115/230			Start Configuration	direct on line
Full Load Amps	11/5.5			Breakdown Torque	2.88 LB-FT
R.P.M.	3450			Pull-up Torque	2.25 LB-FT
Hz	60	Phase	1	Locked-rotor Torque	3.25 LB-FT
NEMA Design Code	N	KVA Code	J	Starting Current	25 A
Service Factor (S.F.)	1.25			No-load Current	4.1 A
NEMA Nom. Eff.	71	Power Factor	68	Line-line Res. @ 25°C	3.18 Ω A Ph 2.53 Ω B Ph
Rating - Duty	40C AMB-CONT			Temp. Rise @ Rated Load	
S.F. Amps	12/6			Temp. Rise @ S.F. Load	104°C

Load Characteristics 230 V, 60 Hz, 0.75 HP

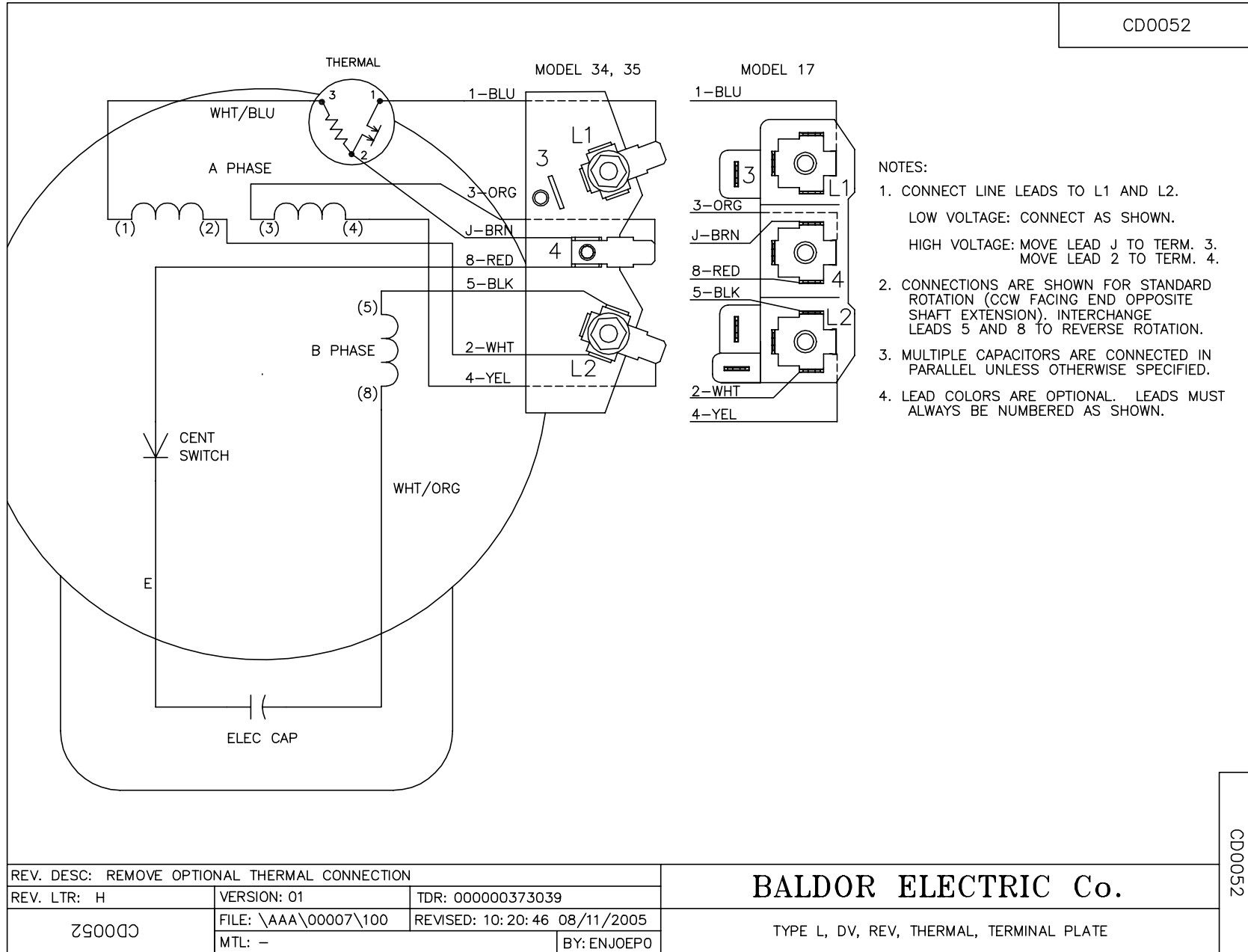
% of Rated Load	25	50	75	100	125	150	S.F.
Power Factor	35	49	61	70	75	80	0
Efficiency	42	58	64	66	65	63	0
Speed	3557	3522	3485	3440	3399	3320	0
Line amperes	4.2	4.3	4.7	5.4	5.9	7	5.9

Performance Graph at 230V, 60Hz, 0.75HP Typical performance - Not guaranteed values





CD0052



CD0052

REV. DESC: REMOVE OPTIONAL THERMAL CONNECTION		
REV. LTR: H	VERSION: 01	TDR: 000000373039
Z90052	FILE: \AAA\00007\100	REVISED: 10:20:46 08/11/2005
	MTL: -	BY: ENJOEPO

BALDOR ELECTRIC Co.

TYPE L, DV, REV, THERMAL, TERMINAL PLATE