

BALDOR® • RELIANCE

Product Information Packet

VBL3510

1HP,1725RPM,1PH,60HZ,56C,3522LC,TEFC,F1

Part Detail							
Revision:	D	Status:	PRD/A	Change #:		Proprietary:	No
Type:	AC	Prod. Type:	3522LC	Elec. Spec:	35WGN676	CD Diagram:	CD0055
Enclosure:	TEFC	Mfg Plant:		Mech. Spec:	35F021	Layout:	35LYF021
Frame:	56C	Mounting:	F1	Poles:	04	Created Date:	02-04-2013
Base:	N	Rotation:	R	Insulation:	F	Eff. Date:	04-02-2015
Leads:	6#18					Replaced By:	
Literature:		Elec. Diagram:					

Nameplate NP1256L										
CAT.NO.	VBL3510									
SPEC.	35F021N676G1									
HP	1									
VOLTS	115/230									
AMP	9/4.5									
RPM	1725									
FRAME	56C				HZ	60			PH	1
SER.F.	1.15		CODE	K	DES	L		CLASS	F	
NEMA-NOM-EFF	76.5		PF	92						
RATING	40C AMB-CONT									
CC								USABLE AT 208V	5.5	
DE	6205				ODE	6203				
ENCL	TEFC		SN							

Parts List		
Part Number	Description	Quantity
SA258348	SA 35F021N676G1	1.000 EA
RA245121	RA 35F021N676G1	1.000 EA
OC3060C09	CYL OIL CAP 60MFD/240V	1.000 EA
EC1645A06SP	ELEC CAP, 645-774 MFD, 125V, 2.06D X 4.	1.000 EA
WD3006A01	RSS-2-103JT 2W 10K RES. METAL OXIDE 5%	1.000 EA
NS2512A01	INSULATOR, CONDUIT BOX X	1.000 EA
35CB3007	35 CB CASTING W/.88 DIA. LEAD HOLE	1.000 EA
36GS1000	GASKET-CONDUIT BOX, .06 THICK #SV-330 LE	1.000 EA
51XB1016A07	10-16 X 7/16 HXWSSLD SERTYB	2.000 EA
11XW1032G06	10-32 X .38, TAPTITE II, HEX WSHR SLTD U	1.000 EA
35EP3900T01	SPL FACE MTD FR EP-ENCL-W/STEARNS BRAKE	1.000 EA
51XW0832A07	8-32 X .44, TAPTITE II, HEX WSHR SLTD SE	2.000 EA
WD1000A15	3-520132-2 AMP FLAG (4M/RL NON-CANC/NON-	1.000 EA
35CB3801	CAPACITOR COVER, CAST	1.000 EA
34GS3002	GASKET, CAPACITOR BOX	1.000 EA
HA7010	CAPACITOR RETENTION CLAMP	1.000 EA
NS2501A02	INSULATOR, CAPACITOR BOX	1.000 EA
51XB1016A08	10-16X 1/2HXWSSLD SERTYB	2.000 EA
HW5100A03SP	WAVY WASHER (W1543-017)	1.000 EA
35EP3300A33	SPL FACE MTD EP -ENCL-205 BRG	1.000 EA
51XN1032A20	10-32 X 1 1/4 HX WS SL SR	2.000 EA
HA1014A02SP	SPL SPACER FOR FAN COVER MTD ON BRAKE	3.000 EA
51XW1032A06	10-32 X .38, TAPTITE II, HEX WSHR SLTD S	3.000 EA
BR1003A01	BRAKE RELEASE LEVER	1.000 EA

Parts List (continued)		
Part Number	Description	Quantity
HW2501D08	KEY, 3/16 SQ X .875 AUTO	1.000 EA
35FN3002A01SP	EXFN, PLASTIC, 6.376 OD, .625 ID W/FLAT	1.000 EA
51XB1214A16	12-14X1.00 HXWSSLD SERTYB	1.000 EA
35FH5000A08	FAN COVER ASSY FOR BRAKE MTRS,W/ PRIMER	1.000 EA
51XW1032A06	10-32 X .38, TAPTITE II, HEX WSHR SLTD S	3.000 EA
35CB4521GX	CONDUIT BOX LID KIT	1.000 EA
51XW0832A07	8-32 X .44, TAPTITE II, HEX WSHR SLTD SE	4.000 EA
HW2501D13	KEY, 3/16 SQ X 1.375	1.000 EA
HA7000A04	KEY RETAINER 0.625 DIA SHAFTS	1.000 EA
85XU0407S04	4X1/4 U DRIVE PIN STAINLESS	2.000 EA
MJ1000A02	GREASE, POLYREX EM EXXON (USe 4824-15A)	0.050 LB
MG1000G27	MED CHARCOAL METALLIC GREY 400-0096	0.017 GA
76BK2100BPF	1-056-021-00-BPF BRAKE TDR# 79345	1.000 EA
84XN3816J28	HEX SOC HD, 3/8-16 X 1.75 LONG	2.000 EA
HA3100A15	THRUBOLT 10-32 X 8.375	4.000 EA
SP5181A01	MODEL 35 LC TORQ STAT SWITCH LEAD ASSY	1.000 EA
LC0001A01	CONN LABEL / WARNING LABEL (LC0001 / LB1	1.000 EA
LB1185	LABEL,BRAKE CONNECTION (ON ROLLS)	1.000 EA
NP1256L	ALUM UL CSA CC	1.000 EA
G7PA1000	PKG GRP, PRINT PK1034A06	1.000 EA
PK3082	STYROFOAM CRADLE	1.000 EA
MN416A01	TAG-INSTAL-MAINT no wire (1200/bx) 11/14	1.000 EA

AC Induction Motor Performance Data
Record # 41128 - Typical performance - not guaranteed values

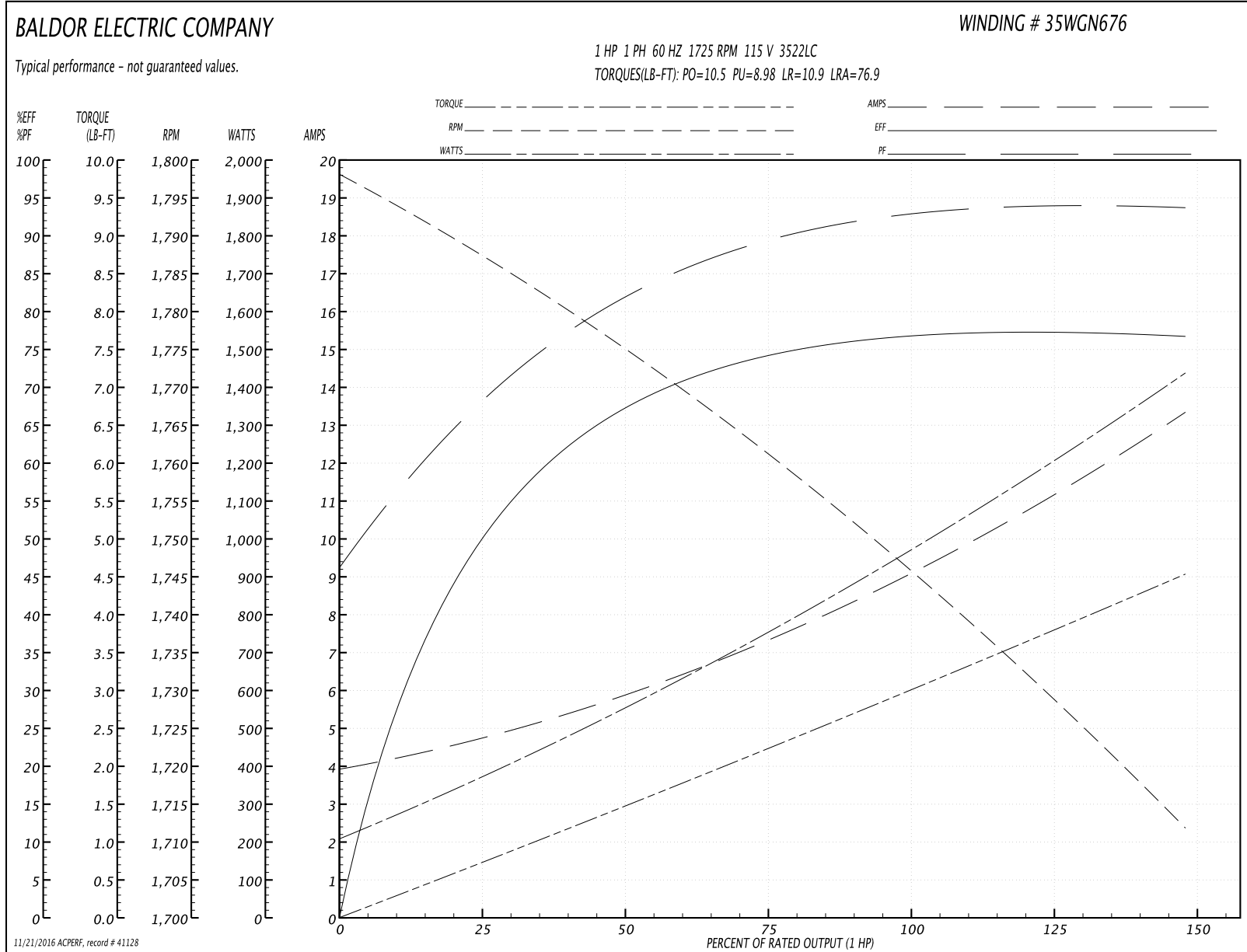
Winding: 35WGN676-R001	Type: 3522LC	Enclosure: TEFC
-------------------------------	---------------------	------------------------

Nameplate Data				115 V, 60 Hz: Low Voltage Connection	
Rated Output (HP)	1			Full Load Torque	2.94 LB-FT
Volts	115/230			Start Configuration	direct on line
Full Load Amps	9/4.5			Breakdown Torque	10.5 LB-FT
R.P.M.	1725			Pull-up Torque	8.98 LB-FT
Hz	60	Phase	1	Locked-rotor Torque	10.9 LB-FT
NEMA Design Code	L	KVA Code	K	Starting Current	76.9 A
Service Factor (S.F.)	1.15			No-load Current	4.04 A
NEMA Nom. Eff.	76.5	Power Factor	92	Line-line Res. @ 25°C	0.61441 Ω A Ph 1.4548 Ω B Ph
Rating - Duty	40C AMB-CONT			Temp. Rise @ Rated Load	65°C
S.F. Amps	10.2/5.1			Temp. Rise @ S.F. Load	73°C

Load Characteristics 115 V, 60 Hz, 1 HP

% of Rated Load	25	50	75	100	125	150	S.F.
Power Factor	69	82	88	92	94	94	93
Efficiency	48.6	66.1	73.5	77	77.6	76.5	77.4
Speed	1787	1775.7	1762.5	1747.7	1731.1	1711.1	1738
Line amperes	4.52	5.72	7.27	8.99	11	13.3	10.2

Performance Graph at 115V, 60Hz, 1.0HP Typical performance - Not guaranteed values



AC Induction Motor Performance Data

Record # 41129 - Typical performance - not guaranteed values

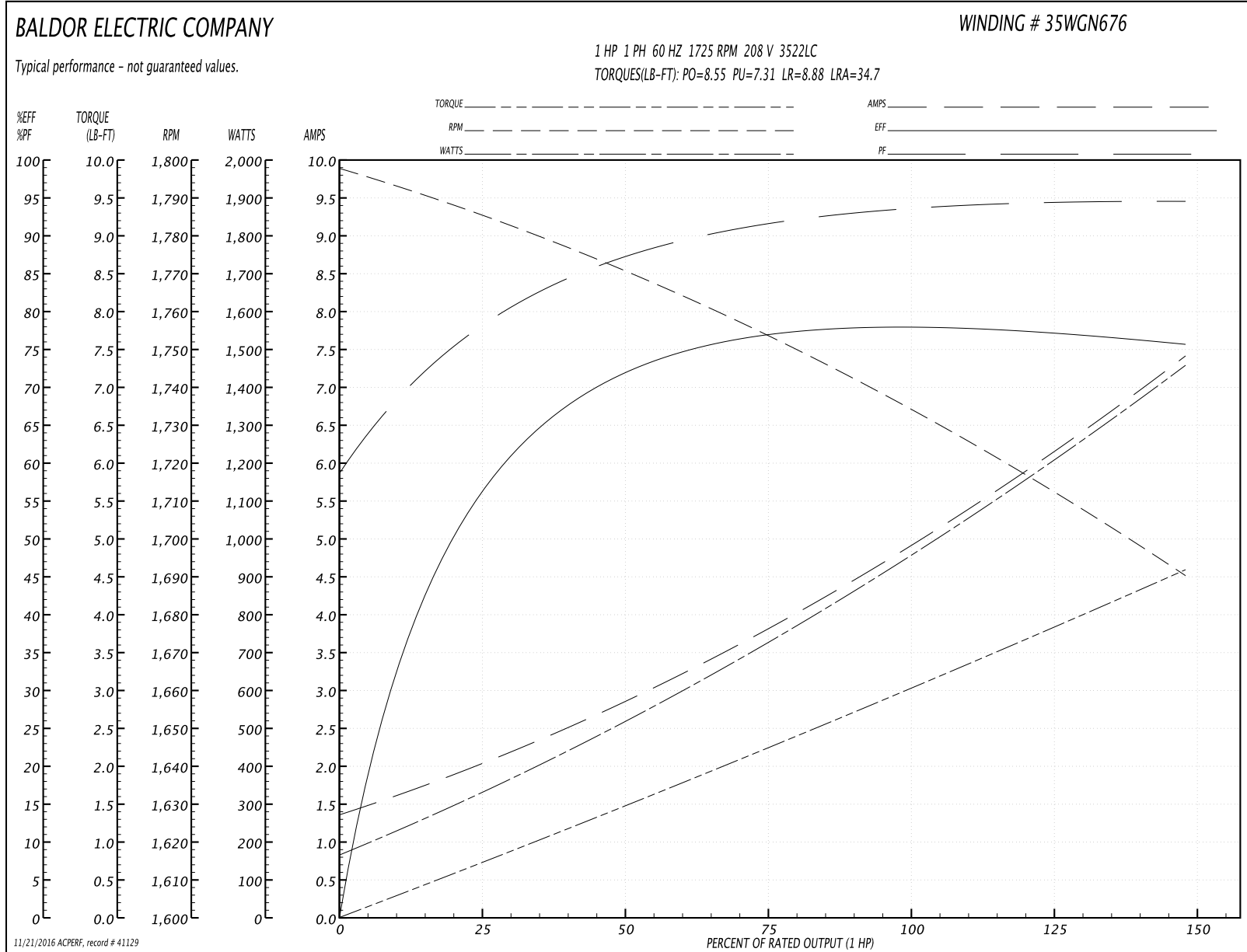
Winding: 35WGN676-R001	Type: 3522LC	Enclosure: TEFC
-------------------------------	---------------------	------------------------

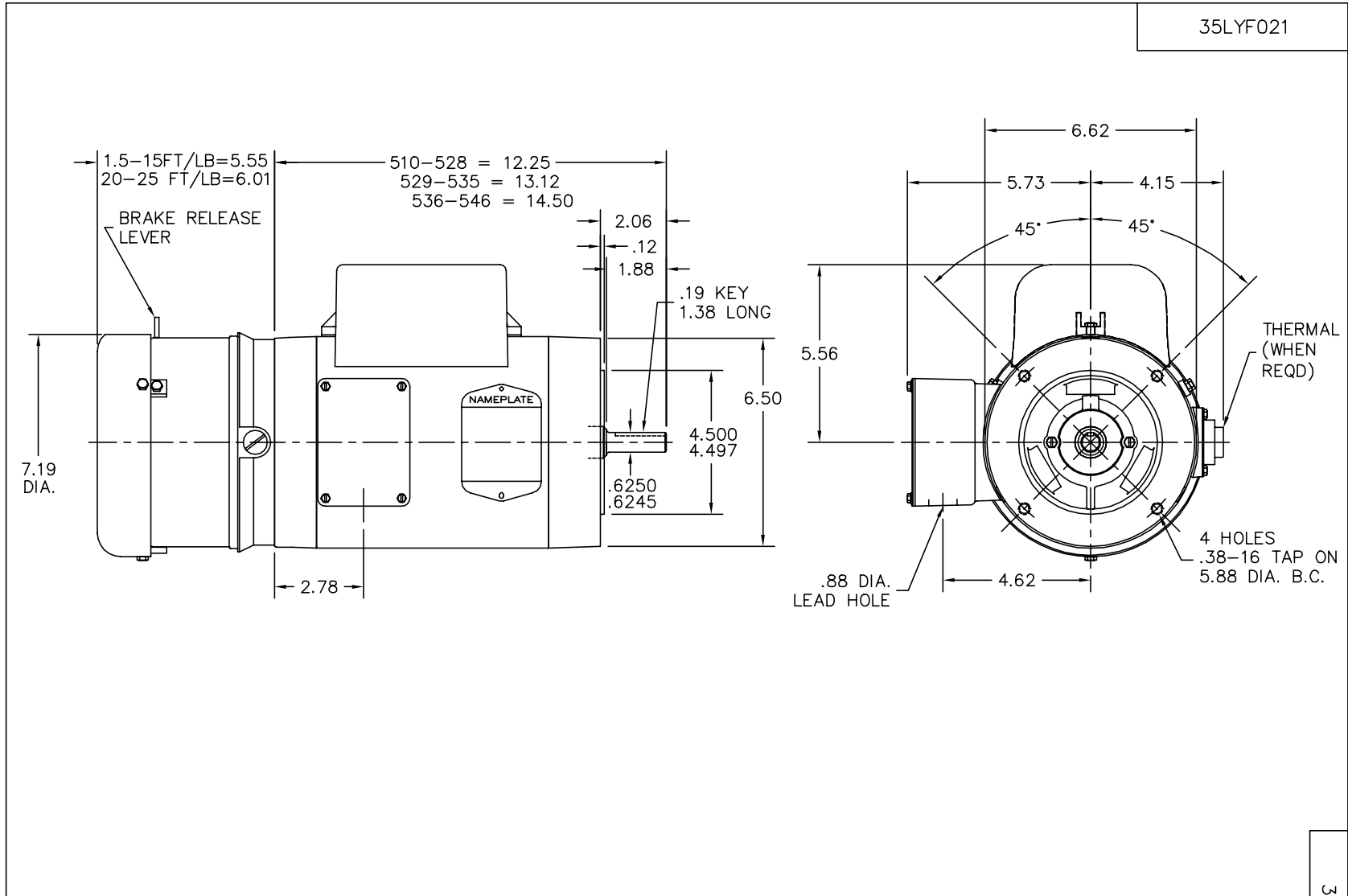
Nameplate Data				208 V, 60 Hz: High Voltage Connection	
Rated Output (HP)	1			Full Load Torque	2.95 LB-FT
Volts	115/230			Start Configuration	direct on line
Full Load Amps	9/4.5			Breakdown Torque	8.55 LB-FT
R.P.M.	1725			Pull-up Torque	7.31 LB-FT
Hz	60	Phase	1	Locked-rotor Torque	8.88 LB-FT
NEMA Design Code	L	KVA Code	K	Starting Current	34.7 A
Service Factor (S.F.)	1.15			No-load Current	1.335 A
NEMA Nom. Eff.	76.5	Power Factor	92	Line-line Res. @ 25°C	2.458 Ω A Ph 1.43 Ω B Ph
Rating - Duty	40C AMB-CONT			Temp. Rise @ Rated Load	69°C
S.F. Amps				Temp. Rise @ S.F. Load	81°C

Load Characteristics 208 V, 60 Hz, 1 HP

% of Rated Load	25	50	75	100	125	150	S.F.
Power Factor	77	87	91	94	94	95	94
Efficiency	54.2	70.8	76.2	78.4	77.9	75.4	78.1
Speed	1785	1771	1755	1737	1716	1689	1724
Line amperes	2.01	2.815	3.75	4.77	6	7.45	5.51

Performance Graph at 208V, 60Hz, 1.0HP Typical performance - Not guaranteed values





CUSTOMER IS RESPONSIBLE FOR DETERMINING THAT MOTOR PERFORMANCE IS SUITABLE IN THE APPLICATION.

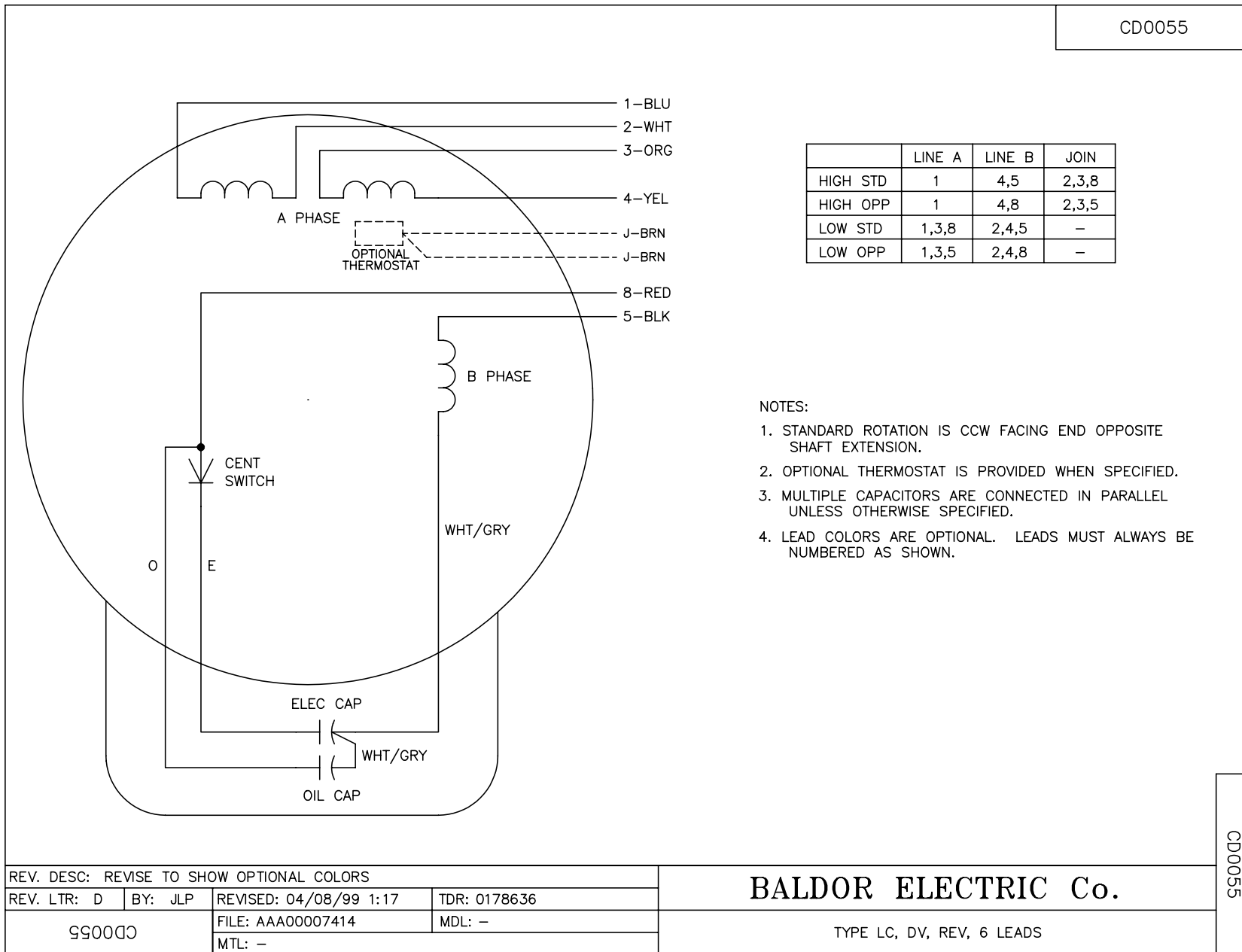
REV. DESC: REVISE DESCRIPTION		
REV. LTR: G	VERSION: 01	TDR: 000000421479
35LYF021	FILE: \AAA\00089\517	REVISED: 08:33:52 02/06/2007
	MTL: -	BY: ENBRAMO

BALDOR ELECTRIC Co.

STD VERT 56C TEFC 35L-LC W/ BRAKE

35LYF021

CD0055



REV. DESC: REVISE TO SHOW OPTIONAL COLORS			
REV. LTR: D	BY: JLP	REVISED: 04/08/99 1:17	TDR: 0178636
99000		FILE: AAA00007414	MDL: -
CD0055		MTL: -	

BALDOR ELECTRIC Co.

TYPE LC, DV, REV, 6 LEADS

CD0055