

BALDOR® • **RELIANCE**

Product Information Packet

YPC264A

.33HP,1075RPM,1PH,60HZ,48YZ,3414C,TEAO,F

Part Detail							
Revision:	B	Status:	PRD/A	Change #:		Proprietary:	No
Type:	AC	Prod. Type:	3414C	Elec. Spec:	34WGR232	CD Diagram:	CD0798
Enclosure:	TEAO	Mfg Plant:		Mech. Spec:	34M195	Layout:	34LYM195
Frame:	48YZ	Mounting:	F1	Poles:	06	Created Date:	10-14-2014
Base:	YP	Rotation:	RS	Insulation:	B	Eff. Date:	04-08-2016
Leads:	5#18					Replaced By:	
Literature:		Elec. Diagram:					

Nameplate NP1257L	
CAT.NO.	YPC264A
SPEC.	34M195R232G1
HP	.33
VOLTS	115
AMP	3.5
RPM	1075
FRAME	48YZ
	HZ 60
	PH 1
SER.F.	1.00
	CODE A
	DES -
	CL B
NEMA-NOM-EFF	PF
RATING	40C AMB-CONT
CC	USABLE AT 208V
DE	6203
	ODE 6203
ENCL	TEAO
	SN

Parts List		
Part Number	Description	Quantity
SA288269	SA 34M195R232G1	1.000 EA
RA274465	RA 34M195R232G1	1.000 EA
OC3020F12	CYL OIL CAP 20MFD/370V	1.000 EA
RM1001A01	GROMMET "MIDSTATES"	1.000 EA
WD4100A42	CAPLUG BPF-3/4, FOR 1/2" NPT OR 3/4 HOLE	1.000 EA
11XT0832G06	8-32 X 3/8 TY 23 TAPPING	1.000 EA
34EP3204D01	SPL FR ENDPLATE 34L - ENCL	1.000 EA
51XW0832A07	8-32 X .44, TAPTITE II, HEX WSHR SLTD SE	3.000 EA
HW5100A03SP	WAVY WASHER (W1543-017)	1.000 EA
33CB4800A02	CAPACITOR COVER, STAMPED	1.000 EA
35GS3001A02	GASKET, CA.COVER, 5.38 LONG .06 CS301	1.000 EA
34GS5003	FOAM SLEEVE, ID = 2 1/16" X 3 3/8"	1.000 EA
NS2501A01	INSULATOR, CAPACITOR	1.000 EA
51XB1016A05	10-16X5/16HX WA SL SR TYB (F/S)	2.000 EA
34EP3109D01	PU ENDPLATE, MACH ENCL, 5.125 B.C.	1.000 EA
XY0832A02	8-32 HEX NUT	4.000 EA
34CB4501SP	TERMINAL BOX LID, STAMPED X (PLATED)	1.000 EA
34GS1005	GASKET, TERM PLATE LID	1.000 EA
51XW0832A07	8-32 X .44, TAPTITE II, HEX WSHR SLTD SE	2.000 EA
HA1005A05SP	SLINGER, OD 1.50, ID .659, 203 BRG	1.000 EA
HW1000A08	#8 SAE FLAT WASHER	4.000 EA
10XF0440S02	04-40 X 1/8 TYPE F HEX HD STAINLESS STIC	2.000 EA
WD1000A16	2-520128-2 AMP FLAG TERMINAL(4M/RL)	5.000 EA
SP5076SP	MODEL 34 TERMINAL PANEL WITH QUICK CONNE	1.000 EA

Parts List (continued)		
Part Number	Description	Quantity
HA3169A25	THRUBOLT #8-32 THDS X 8.688" LONG	4.000 EA
LB1118	LABEL,WARNING (ROLL LABEL)	1.000 EA
LC0085	CONNECTION LABEL	1.000 EA
NP1257L	ALUM UL CSA CC THERMAL REV MTG	1.000 EA
MN416A01	TAG-INSTAL-MAINT no wire (1200/bx) 11/14	1.000 EA
ML14-8C18	18 AWG, 8,RED	10.000 IN
WD1000A16	2-520128-2 AMP FLAG TERMINAL(4M/RL)	2.000 EA
36PA1000	PKG GRP, PRINT PK1016A06	1.000 EA
PK3083T	STYROFOAM PACKING CRADLE W/TAPE	1.000 EA

AC Induction Motor Performance Data

Record # 51613 - Typical performance - not guaranteed values

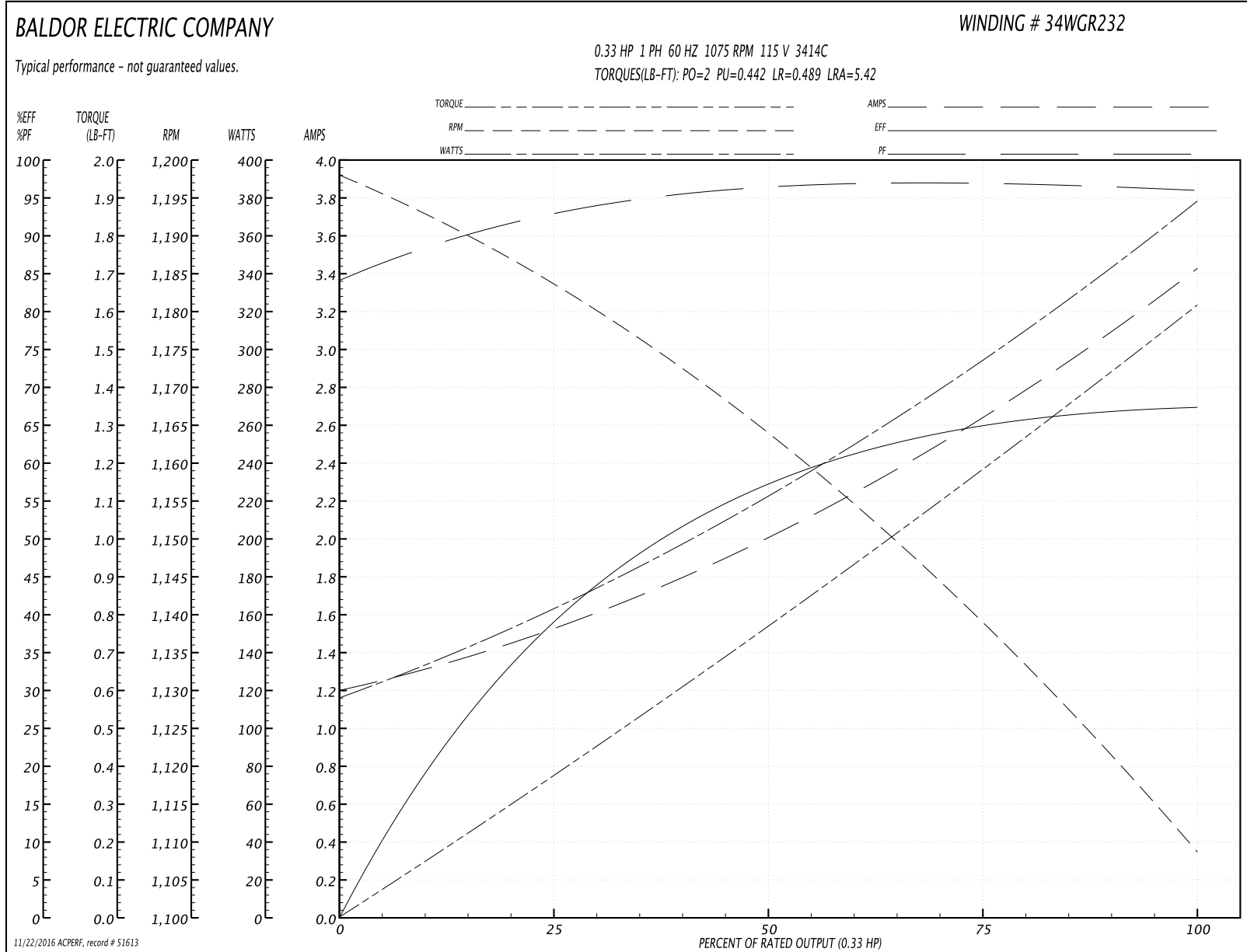
Winding: 34WGR232-R001	Type: 3414C	Enclosure: TEAO
-------------------------------	--------------------	------------------------

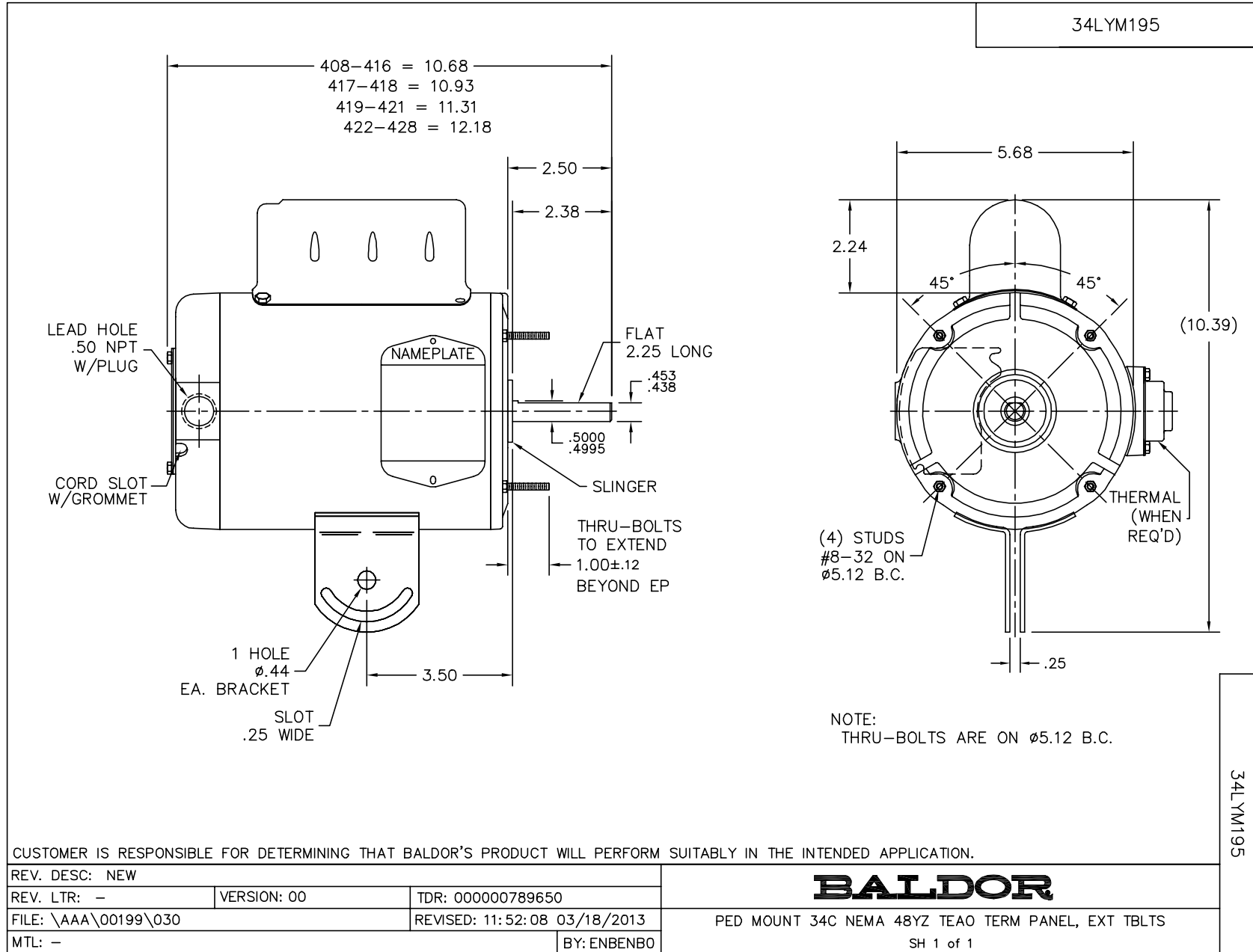
Nameplate Data				115 V, 60 Hz: Single Voltage Motor	
Rated Output (HP)	.33			Full Load Torque	1.62 LB-FT
Volts	115			Start Configuration	direct on line
Full Load Amps	3.5			Breakdown Torque	2 LB-FT
R.P.M.	1075			Pull-up Torque	0.442 LB-FT
Hz	60	Phase	1	Locked-rotor Torque	0.489 LB-FT
NEMA Design Code	-	KVA Code	A	Starting Current	5.42 A
Service Factor (S.F.)	1			No-load Current	1.19 A
NEMA Nom. Eff.	0	Power Factor	0	Line-line Res. @ 25°C	4.3149 Ω A Ph 13.18 Ω B Ph
Rating - Duty	40C AMB-CONT			Temp. Rise @ Rated Load	

Load Characteristics 115 V, 60 Hz, 0.33 HP

% of Rated Load	25	50	75	100
Power Factor	94	97	97	96
Efficiency	40.4	58.3	66.4	67
Speed	1179.7	1162.2	1138.9	1107.6
Line amperes	1.59	2.06	2.67	3.44

Performance Graph at 115V, 60Hz, 0.33HP Typical performance - Not guaranteed values





CD0798

