

BERKELEY® B2EPBHH

Cast Iron Impeller

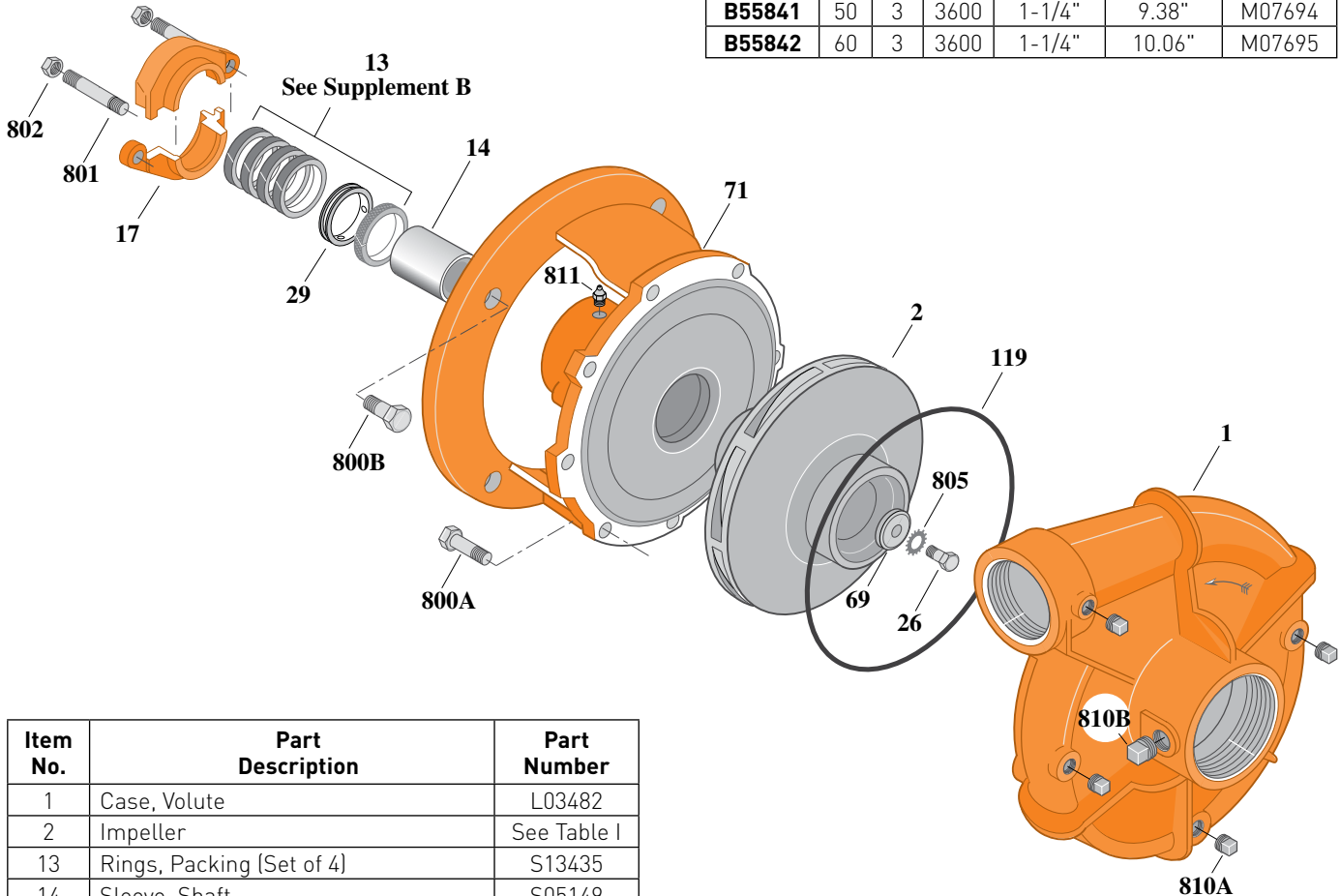
Threaded Case (NPT), Packing Construction

ELECTRIC MOTOR DRIVE

| | |
|---------------------|---------------|
| Section | CC |
| Page | 110.1 |
| Date | March 4, 2013 |
| Supersedes 01/01/04 | |

Table I

| B/M No. | HP | PH | RPM | "U" Dim. | Imp. Dia. | Imp. No. |
|---------|----|----|------|----------|-----------|----------|
| B55841 | 50 | 3 | 3600 | 1-1/4" | 9.38" | M07694 |
| B55842 | 60 | 3 | 3600 | 1-1/4" | 10.06" | M07695 |



1755 0495

| Item No. | Part Description | Part Number |
|----------|--------------------------------------|--------------|
| 1 | Case, Volute | L03482 |
| 2 | Impeller | See Table I |
| 13 | Rings, Packing (Set of 4) | S13435 |
| 14 | Sleeve, Shaft | S05149 |
| 17 | Gland, Packing | B82470 |
| 26 | Screw, Impeller 1/2 - 13 x 1-1/4" | S23621 |
| 29 | Ring, Lantern | S19200 |
| 32 | Key, 1/4 x 2-1/4" (See Note) | S23677 |
| 69 | Washer, Impeller | S06319 |
| 71 | Bracket | See Table II |
| 119 | O-Ring | S13760 |
| 800A | Capscrew, 1/2 - 13 x 1-1/4" [8 Req.] | S26914 |
| 800B | Capscrew, 5/8 - 11 x 1-1/2" [4 Req.] | S26999 |
| 801 | Stud, 3/8 - 16 x 2-1/2" [2 Req.] | S04483 |
| 802 | Nut, Hex 3/8 - 16 [2 Req.] | S23343 |
| 805 | Washer, Lock | S23038 |
| 810A | Plug, Pipe 1/4 NPT [4 Req.] | S23715 |
| 810B | Plug, Pipe 1/2 NPT | S23717 |
| 811 | Fitting, Grease | S23700 |

Table II

| HP | PH | Bracket No. | "AK" Fit | "U" Dim. | Motor Frame |
|----|----|-------------|----------|----------|-------------|
| 50 | 3 | L03712 | 12-1/2" | 1-1/4" | 324JP |
| 60 | 3 | L03712 | 12-1/2" | 1-1/4" | 326JP |

NOTE: For an explanation of the tabulated material found on this page and for impeller key location, refer to **Supplement A** located at the beginning of this section.

BERKELEY® B2EPBHHS

ELECTRIC MOTOR DRIVE

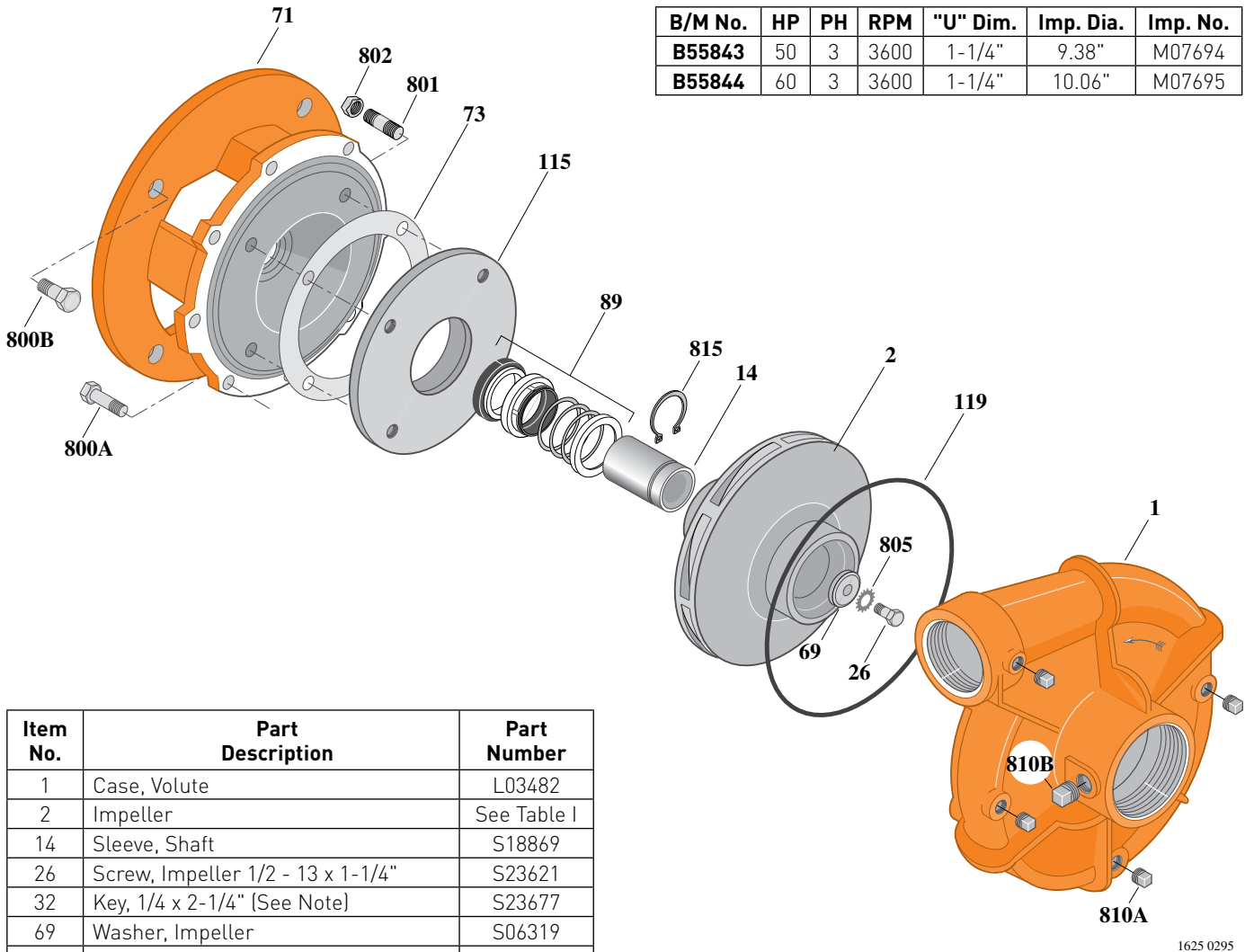
Cast Iron Impeller

Threaded Case (NPT), Mechanical Shaft Seal Construction

| | |
|---------------------|---------------|
| Section | CC |
| Page | 110.2 |
| Date | March 4, 2013 |
| Supersedes 01/01/04 | |

Table I

| B/M No. | HP | PH | RPM | "U" Dim. | Imp. Dia. | Imp. No. |
|---------|----|----|------|----------|-----------|----------|
| B55843 | 50 | 3 | 3600 | 1-1/4" | 9.38" | M07694 |
| B55844 | 60 | 3 | 3600 | 1-1/4" | 10.06" | M07695 |



| Item No. | Part Description | Part Number |
|----------|--------------------------------------|--------------|
| 1 | Case, Volute | L03482 |
| 2 | Impeller | See Table I |
| 14 | Sleeve, Shaft | S18869 |
| 26 | Screw, Impeller 1/2 - 13 x 1-1/4" | S23621 |
| 32 | Key, 1/4 x 2-1/4" (See Note) | S23677 |
| 69 | Washer, Impeller | S06319 |
| 71 | Bracket | See Table II |
| 73 | Gasket, Balance Ring | S09943 |
| 89 | Seal, Shaft | M10227 |
| 115 | Ring, Balance | S19262 |
| 119 | O-Ring | S13760 |
| 800A | Capscrew, 1/2 - 13 x 1-1/4" [8 Req.] | S26914 |
| 800B | Capscrew, 5/8 - 11 x 1-1/2" [4 Req.] | S26999 |
| 801 | Stud, 3/8 - 16 x 1-1/4" [4 Req.] | S23994 |
| 802 | Nut, 3/8 - 16 [4 Req.] | S23103 |
| 805 | Washer, Lock | S23038 |
| 810A | Plug, Pipe 1/4 NPT [4 Req.] | S23715 |
| 810B | Plug, Pipe 1/2 NPT | S23717 |
| 815 | Ring, Retaining | S16767 |

Table II

| HP | PH | Bracket No. | "AK" Fit | "U" Dim. | Motor Frame |
|----|----|-------------|----------|----------|-------------|
| 50 | 3 | L04628 | 12-1/2" | 1-1/4" | 324JM |
| 60 | 3 | L04628 | 12-1/2" | 1-1/4" | 326JM |

NOTE: For an explanation of the tabulated material found on this page and for impeller key location, refer to **Supplement A** located at the beginning of this section.



BERKELEY® B2EPBHHS

Bronze Impeller

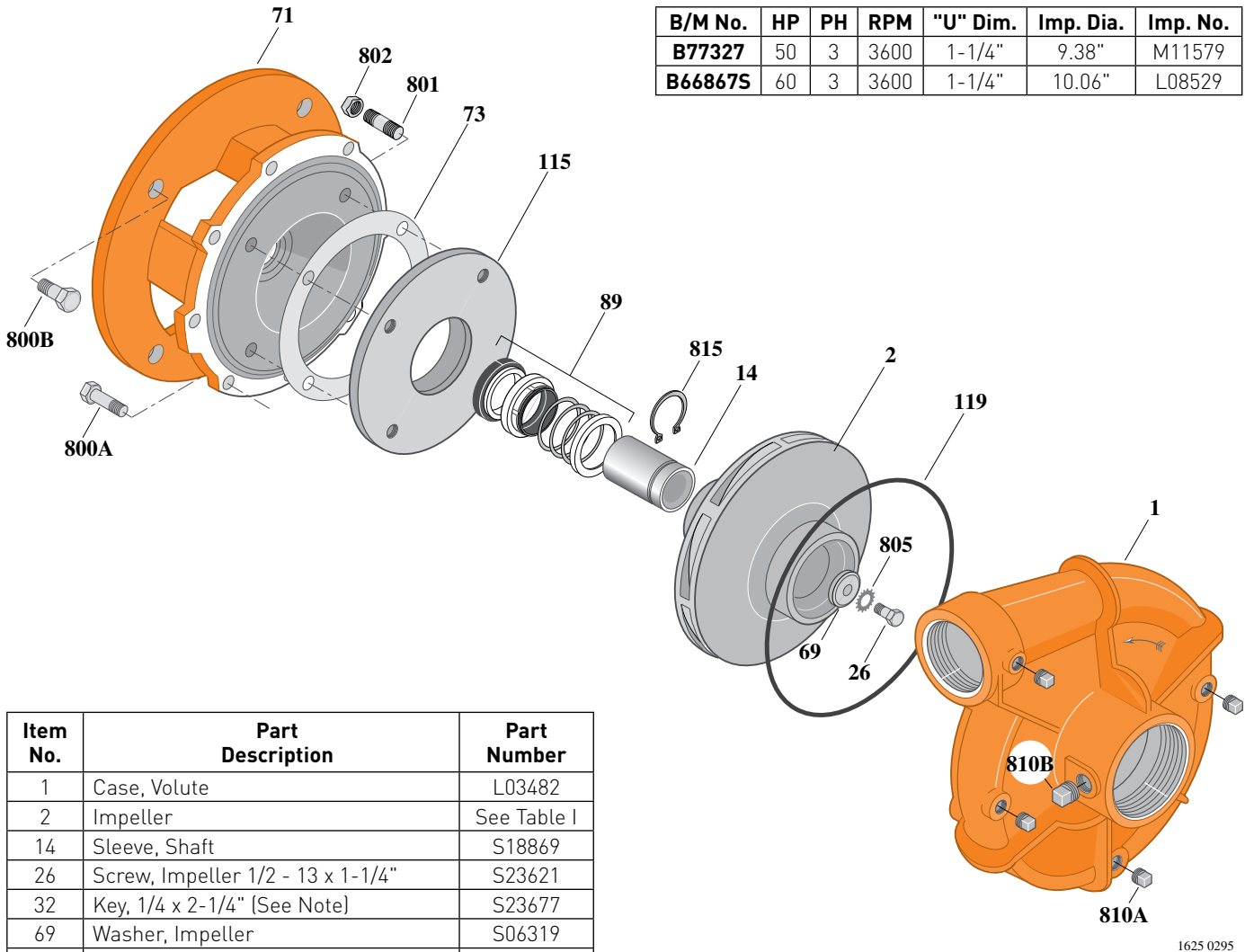
Threaded Case (NPT), Mechanical Shaft Seal Construction

ELECTRIC MOTOR DRIVE

| | |
|---------------------|---------------|
| Section | CC |
| Page | 110.3 |
| Date | March 4, 2013 |
| Supersedes 01/01/04 | |

Table I

| B/M No. | HP | PH | RPM | "U" Dim. | Imp. Dia. | Imp. No. |
|----------------|----|----|------|----------|-----------|----------|
| B77327 | 50 | 3 | 3600 | 1-1/4" | 9.38" | M11579 |
| B66867S | 60 | 3 | 3600 | 1-1/4" | 10.06" | L08529 |



| Item No. | Part Description | Part Number |
|----------|--------------------------------------|--------------|
| 1 | Case, Volute | L03482 |
| 2 | Impeller | See Table I |
| 14 | Sleeve, Shaft | S18869 |
| 26 | Screw, Impeller 1/2 - 13 x 1-1/4" | S23621 |
| 32 | Key, 1/4 x 2-1/4" (See Note) | S23677 |
| 69 | Washer, Impeller | S06319 |
| 71 | Bracket | See Table II |
| 73 | Gasket, Balance Ring | S09943 |
| 89 | Seal, Shaft | M10227 |
| 115 | Ring, Balance | S19262 |
| 119 | O-Ring | S13760 |
| 800A | Capscrew, 1/2 - 13 x 1-1/4" [8 Req.] | S26914 |
| 800B | Capscrew, 5/8 - 11 x 1-1/2" [4 Req.] | S26999 |
| 801 | Stud, 3/8 - 16 x 1-1/4" [4 Req.] | S23994 |
| 802 | Nut, 3/8 - 16 [4 Req.] | S23103 |
| 805 | Washer, Lock | S23038 |
| 810A | Plug, Pipe 1/4 NPT [4 Req.] | S23715 |
| 810B | Plug, Pipe 1/2 NPT | S23717 |
| 815 | Ring, Retaining | S16767 |

Table II

| HP | PH | Bracket No. | "AK" Fit | "U" Dim. | Motor Frame |
|----|----|-------------|----------|----------|-------------|
| 50 | 3 | L04628 | 12-1/2" | 1-1/4" | 324JM |
| 60 | 3 | L04628 | 12-1/2" | 1-1/4" | 326JM |

NOTE: For an explanation of the tabulated material found on this page and for impeller key location, refer to **Supplement A** located at the beginning of this section.



BERKELEY® B2EPBHHS

Bronze Impeller

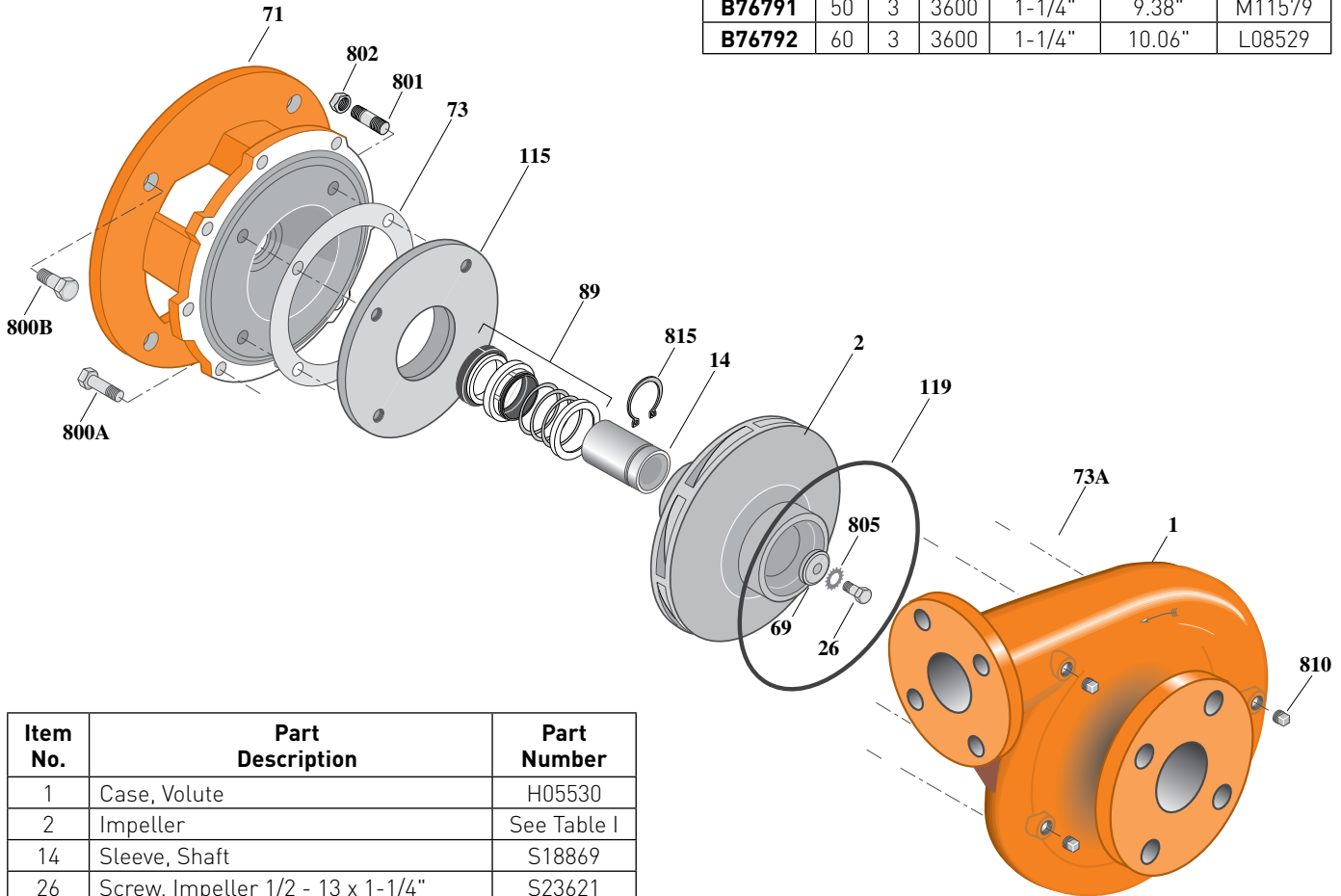
Flanged Case, Mechanical Shaft Seal Construction

ELECTRIC MOTOR DRIVE

| | |
|---------------------|---------------|
| Section | CC |
| Page | 110.4 |
| Date | March 4, 2013 |
| Supersedes 01/01/04 | |

Table I

| B/M No. | HP | PH | RPM | "U" Dim. | Imp. Dia. | Imp. No. |
|---------------|----|----|------|----------|-----------|----------|
| B76791 | 50 | 3 | 3600 | 1-1/4" | 9.38" | M11579 |
| B76792 | 60 | 3 | 3600 | 1-1/4" | 10.06" | L08529 |



1625 0295 FL

| Item No. | Part Description | Part Number |
|----------|--------------------------------------|--------------|
| 1 | Case, Volute | H05530 |
| 2 | Impeller | See Table I |
| 14 | Sleeve, Shaft | S18869 |
| 26 | Screw, Impeller 1/2 - 13 x 1-1/4" | S23621 |
| 32 | Key, 1/4 x 2-1/4" (See Note) | S23677 |
| 69 | Washer, Impeller | S06319 |
| 71 | Bracket | See Table II |
| 73 | Gasket, Balance Ring | S09943 |
| 89 | Seal, Shaft | M10227 |
| 115 | Ring, Balance | S19262 |
| 119 | O-Ring | S13760 |
| 800A | Capscrew, 1/2 - 13 x 1-1/4" [8 Req.] | S26914 |
| 800B | Capscrew, 5/8 - 11 x 1-1/2" [4 Req.] | S26999 |
| 801 | Stud, 3/8 - 16 x 1-1/4" [4 Req.] | S23994 |
| 802 | Nut, 3/8 - 16 [4 Req.] | S23103 |
| 805 | Washer, Lock | S23038 |
| 810A | Plug, Pipe 1/4 NPT [4 Req.] | S23715 |
| 810B | Plug, Pipe 1/2 NPT | S23717 |
| 815 | Ring, Retaining | S16767 |

Table II

| HP | PH | Bracket No. | "AK" Fit | "U" Dim. | Motor Frame |
|----|----|-------------|----------|----------|-------------|
| 50 | 3 | L04628 | 12-1/2" | 1-1/4" | 324JM |
| 60 | 3 | L04628 | 12-1/2" | 1-1/4" | 326JM |

NOTE: For an explanation of the tabulated material found on this page and for impeller key location, refer to **Supplement A** located at the beginning of this section.

