

TYPE "B" SINGLE STAGE CENTRIFUGAL PUMP Electric Motor Drive

Section	CC
Page	410.3
Date	January 1, 2004
Supersedes 6/1/95	

CAST IRON IMPELLER

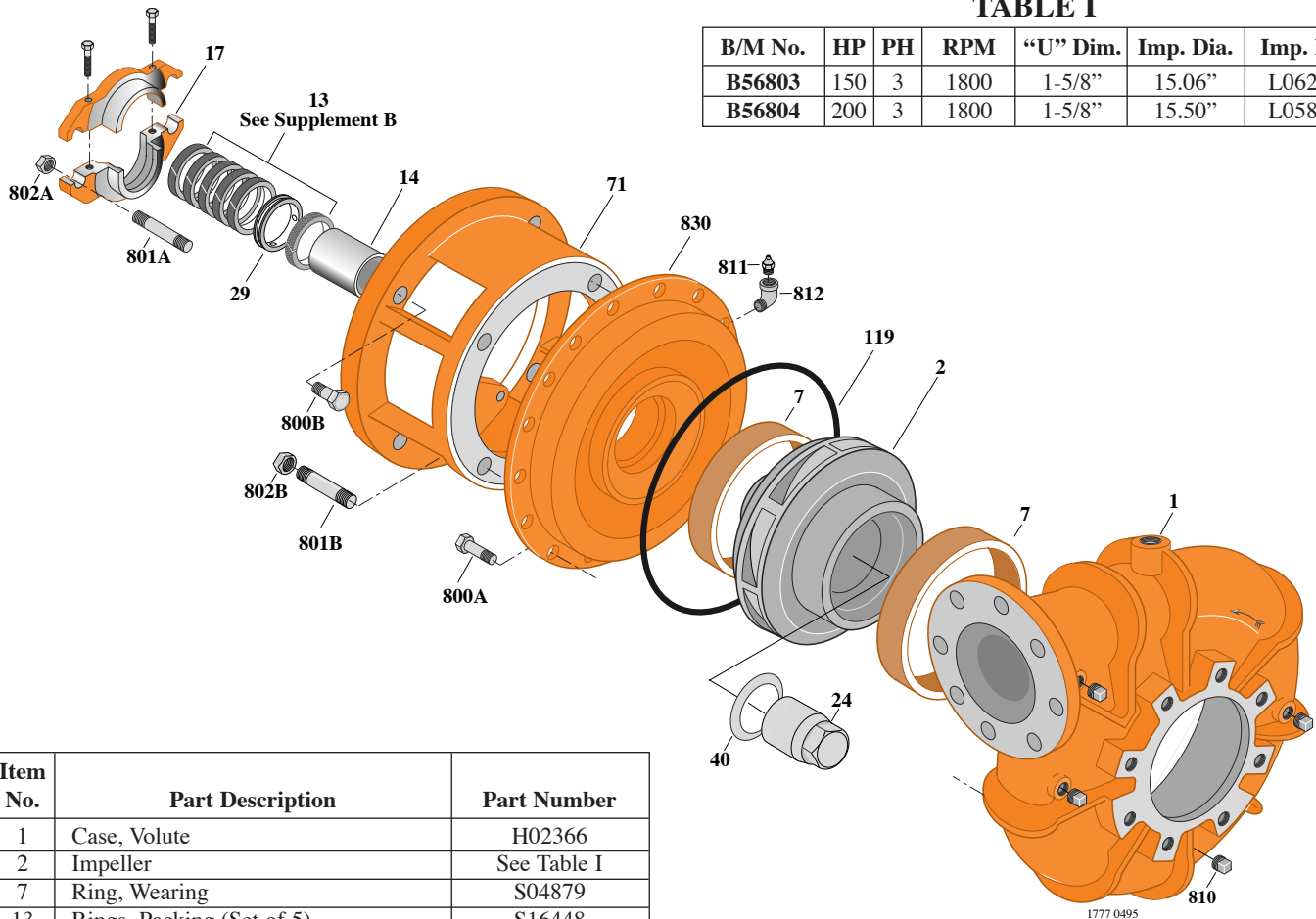
B6EXPBH

Flanged Case

Packing Construction

TABLE I

B/M No.	HP	PH	RPM	"U" Dim.	Imp. Dia.	Imp. No.
B56803	150	3	1800	1-5/8"	15.06"	L06215
B56804	200	3	1800	1-5/8"	15.50"	L05800



Item No.	Part Description	Part Number
1	Case, Volute	H02366
2	Impeller	See Table I
7	Ring, Wearing	S04879
13	Rings, Packing (Set of 5)	S16448
14	Sleeve, Shaft	S14329
17	Gland, Packing	M05311
24	Locknut, Impeller	S07829
29	Ring, Lantern	S14330
32	Key, 3/8 x 2-1/4" (See Note)	S23940
40	Deflector	S18720
71	Bracket	See Table II
119	O-Ring	S14444
800A	Capscrew, 5/8 - 11 x 1-1/2" (16 Req.)	S26999
800B	Capscrew, 5/8 - 11 x 1-3/4" (4 Req.)	S27001
801A	Stud, 1/2 - 13 x 3-3/4" (2 Req.)	S08305
801B	Stud, 3/4 - 10 x 2-1/2" (4 Req.)	S23079
802A	Nut, Hex 1/2 - 13 x 7/16" (2 Req.)	S23347
802B	Nut, Hex 3/4 - 10 (4 Req.)	S23111
810	Plug, Pipe 1/2 NPT (4 Req.)	S23717
811	Fitting, Grease	S23700
812	Elbow, Street	S24568
830	Cover, Case	H02375

TABLE II

HP	PH	Bracket No.	"AK" Fit	"U" Dim.	Motor Frame
150	3	H01078	16"	1-5/8"	444TY
200	3	H01078	16"	1-5/8"	445TY

NOTE: For an explanation of the tabulated material found on this page and for impeller key location, refer to *Supplement A* located at the beginning of this section.

TYPE "B" SINGLE STAGE CENTRIFUGAL PUMP Electric Motor Drive

Section	CC
Page	410.4
Date	January 1, 2004
Supersedes 6/1/95	

CAST IRON IMPELLER

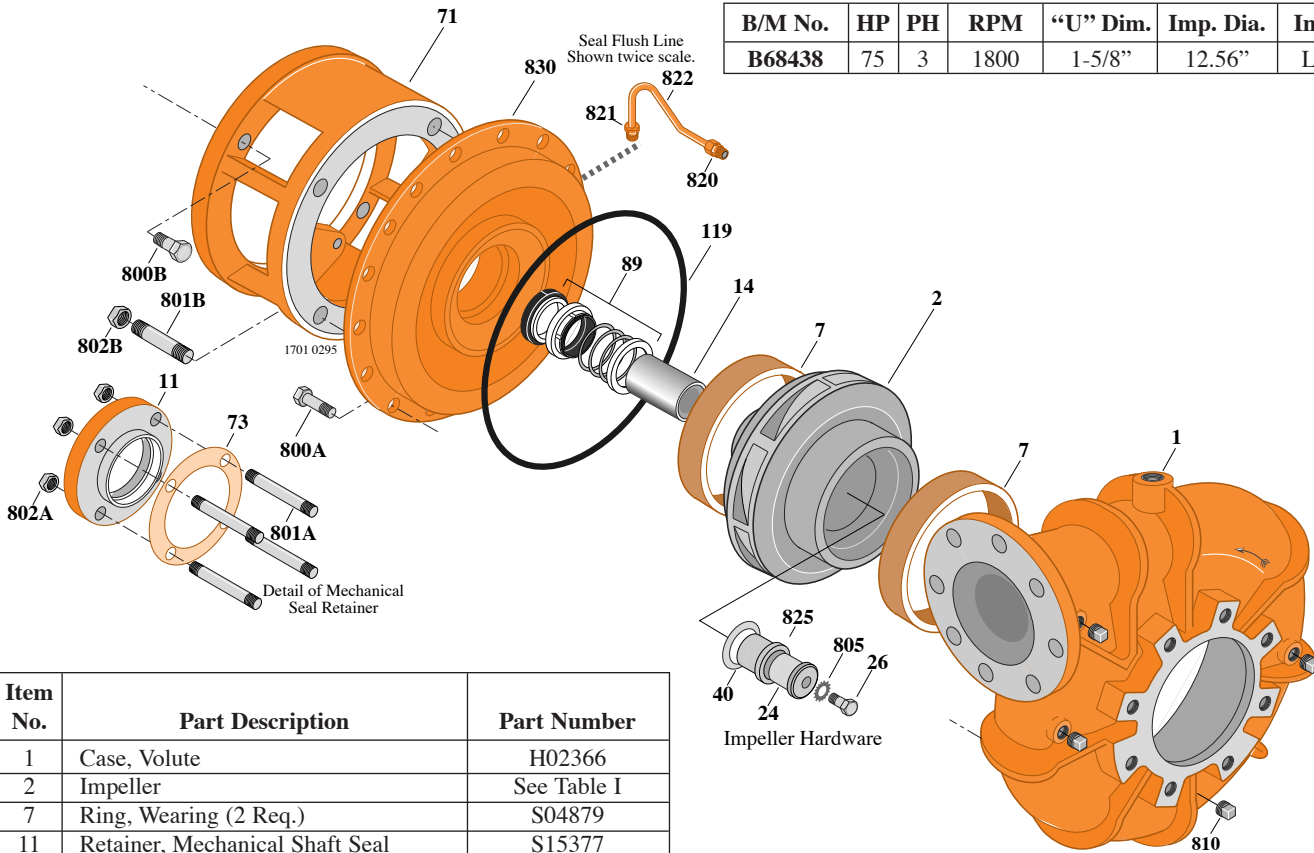
B6EXPBHS

Flanged Case

Mechanical Shaft Seal Construction

TABLE I

B/M No.	HP	PH	RPM	"U" Dim.	Imp. Dia.	Imp. No.
B68438	75	3	1800	1-5/8"	12.56"	L06227



Item No.	Part Description	Part Number
1	Case, Volute	H02366
2	Impeller	See Table I
7	Ring, Wearing (2 Req.)	S04879
11	Retainer, Mechanical Shaft Seal	S15377
14	Sleeve, Shaft	S07073
24	Locknut, Impeller	S19868
26	Screw, Impeller 1/2 - 13 x 3-1/2"	S23633
32	Key, 3/8 x 2-1/2" (See Note)	S23941
40	Deflector	S19864
71	Bracket	See Table II
73	Gasket, Seal Retainer	S16411
89	Seal, Mechanical Shaft	S32016
119	O-Ring	S14444
800A	Capscrew, 5/8 - 11 x 1-1/2" (16 Req.)	S26999
800B	Capscrew, 5/8 - 11 x 1-3/4" (4 Req.)	S27001
801A	Stud, 3/8 - 16 x 1-3/4" (4 Req.)	S04435
801B	Stud, 3/4 - 10 x 2-1/4" (4 Req.)	S24078
802A	Nut, 3/8 - 16 (2 Req.)	S23343
802B	Nut, 3/4 - 10 (4 Req.)	S23111
805	Washer, Lock	S23038
810	Plug, Pipe 1/2 NPT (4 Req.)	S23717
820	Connector, Comp. Fitting	S24013
821	Elbow, Comp. Tube Fitting	S24128
822	Tubing, Copper	S20677
825	Sleeve, Impeller Locknut	S19865
830	Cover, Case	H02761

TABLE II

HP	PH	Bracket No.	"AK" Fit	"U" Dim.	Motor Frame
75	3	H05058	12-1/2"	1-5/8"	365JP

NOTE: For an explanation of the tabulated material found on this page and for impeller key location, refer to *Supplement A* located at the beginning of this section.

TYPE "B" SINGLE STAGE CENTRIFUGAL PUMP Electric Motor Drive

Section	CC
Page	410.5
Date	January 1, 2004
Supersedes 6/1/95	

CAST IRON IMPELLER

B6EXPBHS

Flanged Case

Mechanical Shaft Seal Construction

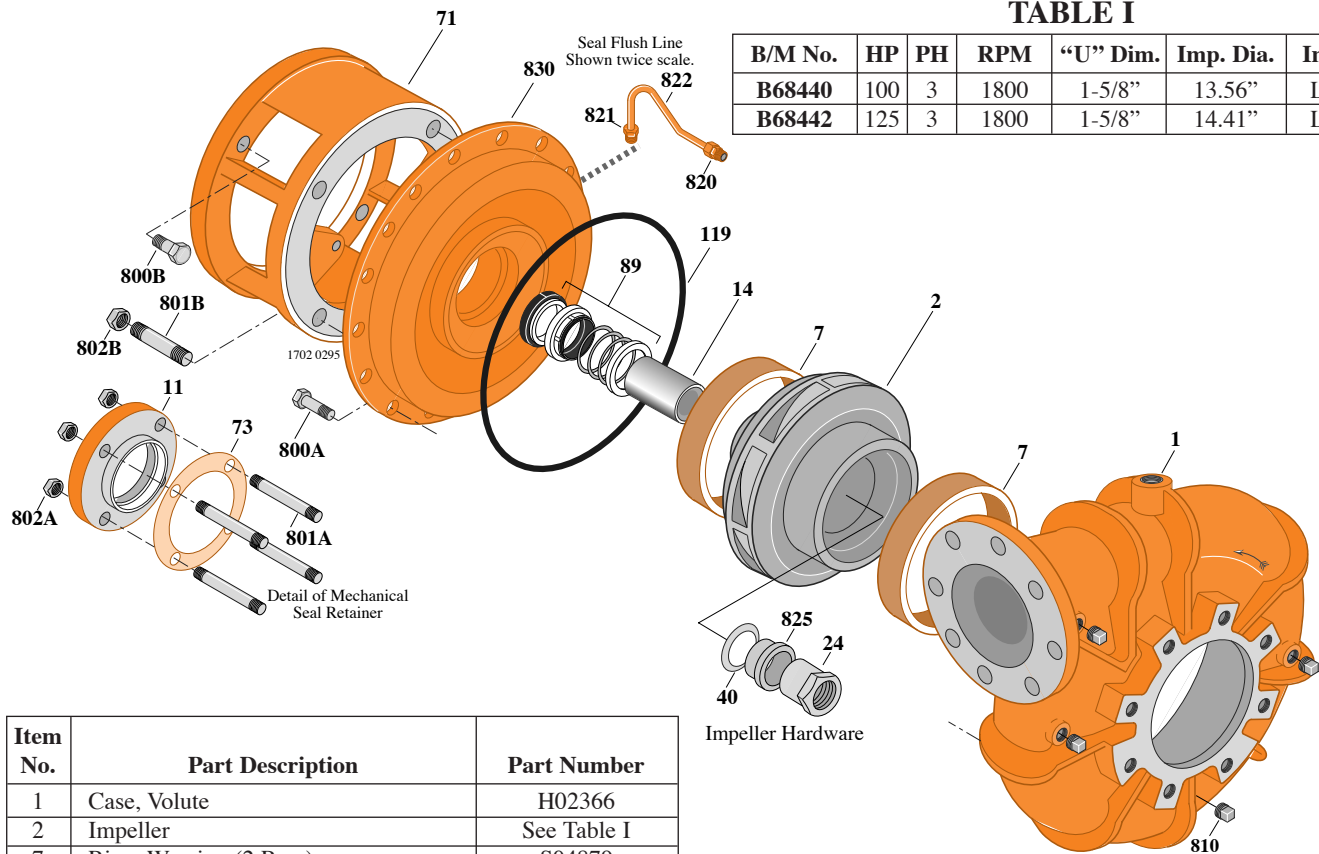


TABLE I

B/M No.	HP	PH	RPM	"U" Dim.	Imp. Dia.	Imp. No.
B68440	100	3	1800	1-5/8"	13.56"	L06228
B68442	125	3	1800	1-5/8"	14.41"	L06229

Item No.	Part Description	Part Number
1	Case, Volute	H02366
2	Impeller	See Table I
7	Ring, Wearing (2 Req.)	S04879
11	Retainer, Mechanical Shaft Seal	S15377
14	Sleeve, Shaft	S07073
24	Locknut, Impeller	S19863
32	Key, 3/8 x 2-1/2" (See Note)	S23941
40	Deflector	S19864
71	Bracket	See Table II
73	Gasket, Seal Retainer	S16411
89	Seal, Mechanical Shaft	S32016
119	O-Ring	S14444
800A	Capscrew, 5/8 - 11 x 1-1/2" (16 Req.)	S26999
800B	Capscrew, 5/8 - 11 x 1-3/4" (4 Req.)	S27001
801A	Stud, 3/8 - 16 x 1-3/4" (4 Req.)	S04435
801B	Stud, 3/4 - 10 x 2-1/4" (4 Req.)	S24078
802A	Nut, 3/8 - 16 (2 Req.)	S23343
802B	Nut, 3/4 - 10 (4 Req.)	S23111
810	Plug, Pipe 1/2 NPT (4 Req.)	S23717
820	Connector, Comp. Fitting	S24013
821	Elbow, Comp. Tube Fitting	S24128
822	Tubing, Copper	S20677
825	Sleeve, Impeller Locknut	S19865
830	Cover, Case	H02761

TABLE II

HP	PH	Bracket No.	"AK" Fit	"U" Dim.	Motor Frame
100	3	H05058	12-1/2"	1-5/8"	404TC
125	3	H05058	12-1/2"	1-5/8"	405TC

NOTE: For an explanation of the tabulated material found on this page and for impeller key location, refer to *Supplement A* located at the beginning of this section.

TYPE "B" SINGLE STAGE CENTRIFUGAL PUMP Electric Motor Drive

Section	CC
Page	410.6
Date	January 1, 2004
Supersedes 6/1/95	

CAST IRON IMPELLER

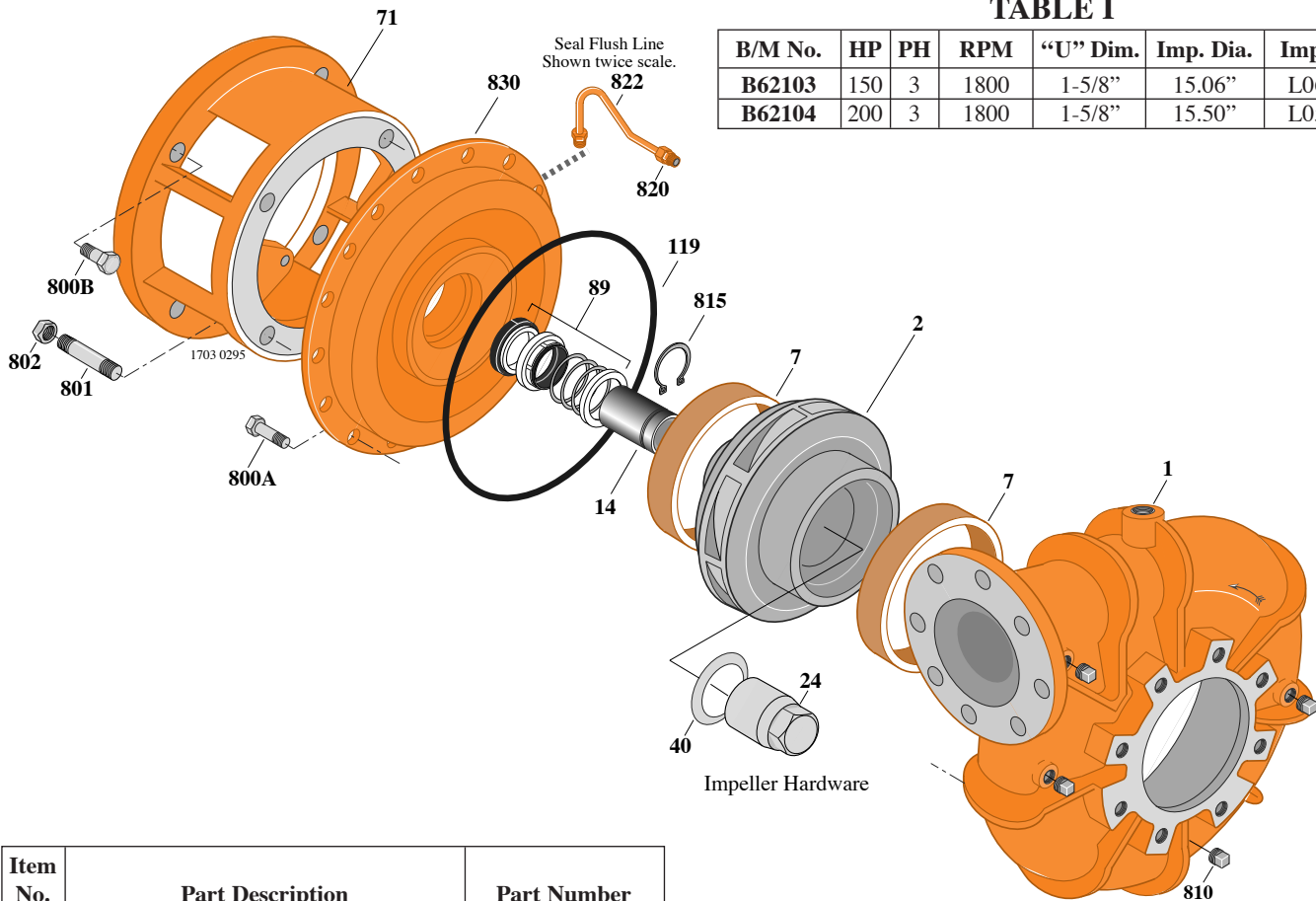
B6EXPBHS

Flanged Case

Mechanical Shaft Seal Construction

TABLE I

B/M No.	HP	PH	RPM	"U" Dim.	Imp. Dia.	Imp. No.
B62103	150	3	1800	1-5/8"	15.06"	L06215
B62104	200	3	1800	1-5/8"	15.50"	L05800



Item No.	Part Description	Part Number
1	Case, Volute	H02366
2	Impeller	See Table I
7	Ring, Wearing (2 Req.)	S04879
14	Sleeve, Shaft	S29517
24	Locknut, Impeller	S07829
32	Key, 3/8 x 2-1/2" (See Note)	S26547
40	Deflector	S18720
71	Bracket	See Table II
89	Seal, Mechanical Shaft	S32697
119	O-Ring	S14444
800A	Capscrew, 5/8 - 11 x 1-1/2" (16 Req.)	S26999
800B	Capscrew, 5/8 - 11 x 1-3/4" (4 Req.)	S27001
801	Stud, 3/4 - 10 x 2-1/2" (4 Req.)	S24079
802	Nut, 3/4 - 10 (4 Req.)	S23111
810	Plug, Pipe 1/2 NPT (4 Req.)	S23717
815	Ring, Retaining	S29519
820	Connector, Comp. Fitting (2 Req.)	S24013
822	Tubing, Copper	S20677
830	Cover, Case	H03557

TABLE II

HP	PH	Bracket No.	"AK" Fit	"U" Dim.	Motor Frame
150	3	H02762	16"	1-5/8"	444TY
200	3	H02762	16"	1-5/8"	445TY

NOTE: For an explanation of the tabulated material found on this page and for impeller key location, refer to *Supplement A* located at the beginning of this section.