

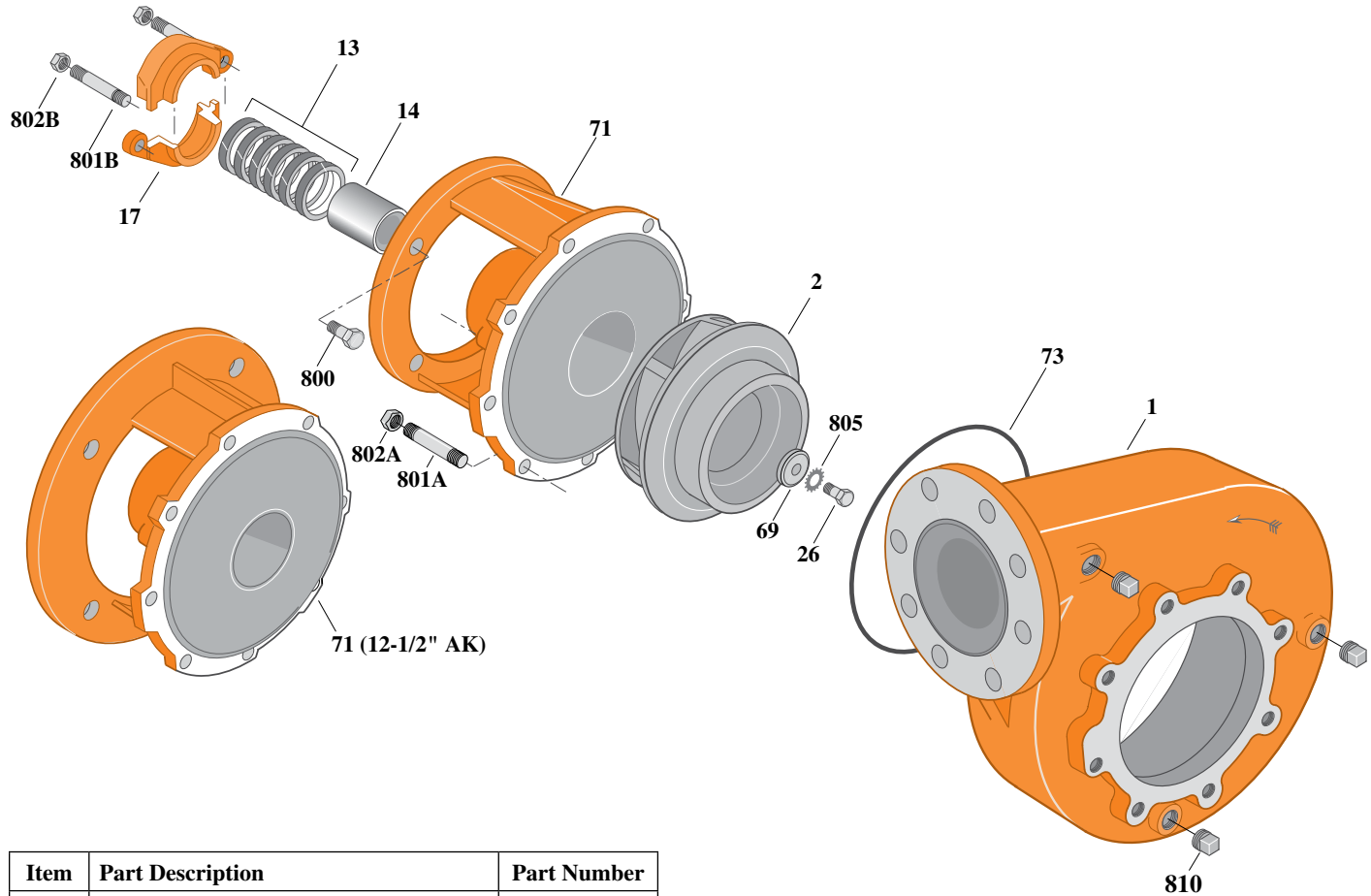
Type "B" Single Stage  
Centrifugal Pump  
Electric Motor Drive

Section	CC
Page	360.1
Date	July 1, 2011
Supersedes 1/1/04	

**CAST IRON IMPELLER** **B6ZPH**

**Flanged Case**

**Packing Construction**



Item	Part Description	Part Number
1	Case, Volute	H05065
2	Impeller	See Table I
13	Rings, Packing (Set of 6)	S13470
14	Sleeve, Shaft	S05149L
17	Gland, Packing	B82470
26	Screw, Impeller 1/2 - 13 x 2"	S23627
32	Key, 1/4 x 2-1/4" (See Note 1)	S23677
69	Washer, Impeller	S06319
71	Bracket	See Table II
73	O-Ring (See Note 2)	M14943
800	Capscrew, 1/2 - 13 x 1-1/2" (4 Req.)	S26916
801A	Stud, 3/8 - 16 x 1-3/8" (8 Req.)	S09942
801B	Stud, 3/8 - 16 x 4" (2 Req.)	S08303
802A	Nut, Hex 3/8 - 16 (8 Req.)	S23103
802B	Nut, Hex 3/8 - 16 (2 Req.)	S23343
805	Washer, Lock	S23038
810	Plug, Pipe 1/2 NPT (3 Req.)	S23717

**Table I**

B/M No.	HP	PH	RPM	"U" Dim.	Imp. Dia.	Imp. No.
B69536	15	3	1800	1-1/4"	6.25"x8.00"	M07720
B69531	20	3	1800	1-1/4"	7.12"x8.12"	M07721
B69520	25	3	1800	1-1/4"	7.69"x8.69"	M07722
B69526	30	3	1800	1-1/4"	8.00"x9.00"	M04349

**Table II**

HP	PH	Bracket No.	"AK" Fit	"U" Dim.	Motor Frame
10	1	L03827	8-1/2"	1-1/4"	254JP
10	3	L03827	8-1/2"	1-1/4"	256JP
15	3	L01563	12-1/2"	1-1/4"	284JP
20	3	L01563	12-1/2"	1-1/4"	286JP

**NOTE 1:** For an explanation of the tabulated material found on this page and for impeller key location, refer to *Supplement A* located at the beginning of this section.

**NOTE 2:** Also accepts gasket S05126 as replacement for o-ring. See *Supplement E* located at the beginning of this section.