

4

3

2

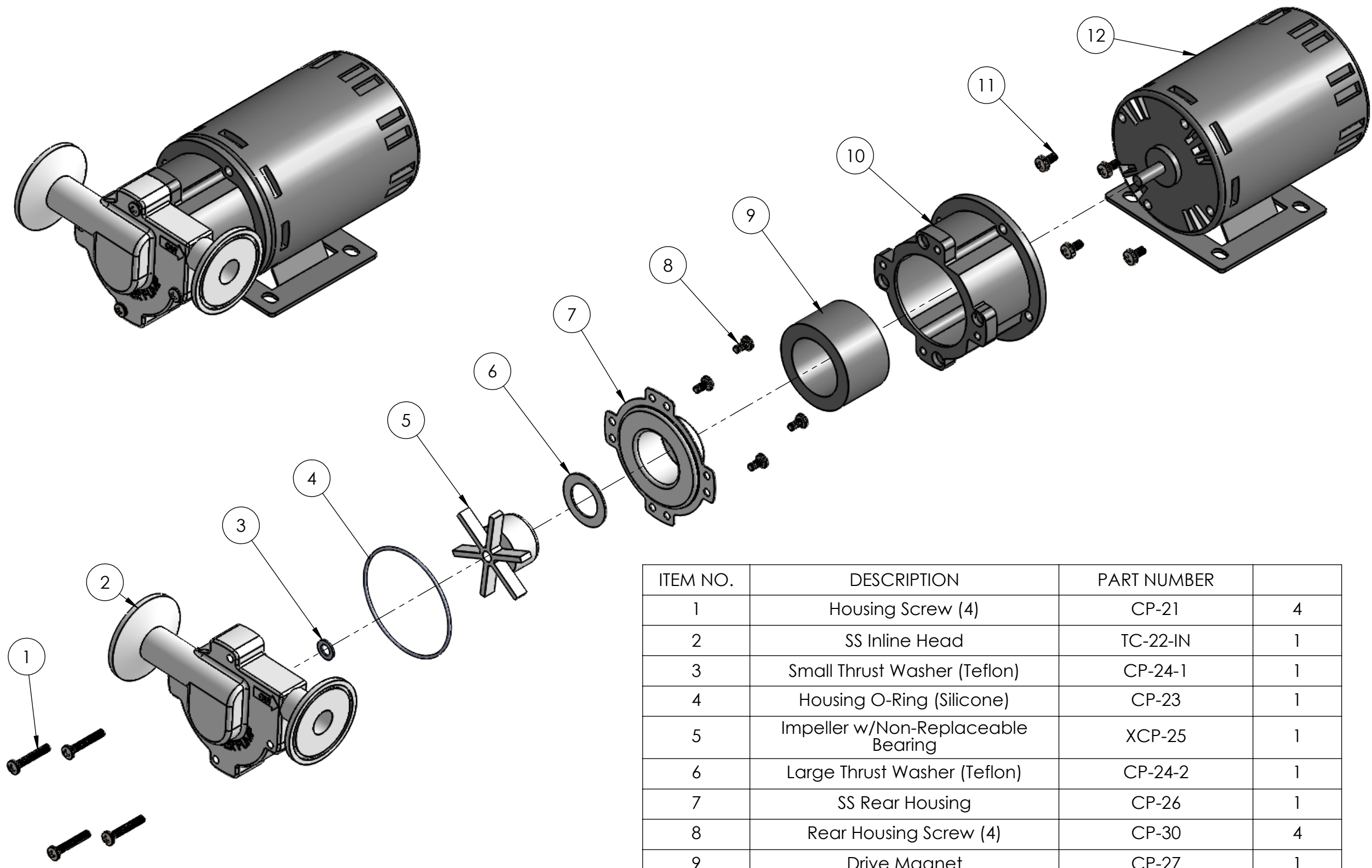
1

B

B

A

A



ITEM NO.	DESCRIPTION	PART NUMBER	
1	Housing Screw (4)	CP-21	4
2	SS Inline Head	TC-22-IN	1
3	Small Thrust Washer (Teflon)	CP-24-1	1
4	Housing O-Ring (Silicone)	CP-23	1
5	Impeller w/Non-Replaceable Bearing	XCP-25	1
6	Large Thrust Washer (Teflon)	CP-24-2	1
7	SS Rear Housing	CP-26	1
8	Rear Housing Screw (4)	CP-30	4
9	Drive Magnet	CP-27	1
10	Motor Bracket	CP-28	1
11	Motor Screw w/ Washer (4)	CP-31	4
12	115 Volt Motor 230 Volt Motor	CP-29-115 CP-29-230	1 1
12	230 Volt Motor	CP-29-230	1

ASSEMBLY

TRI-XCPSS-IN-1

SCALE: 1:2.2

SHEET 1 OF 2

4

3

2

1

4

3

2

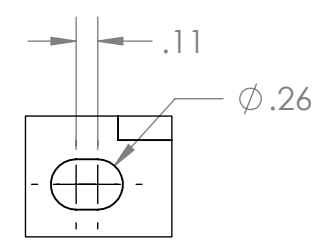
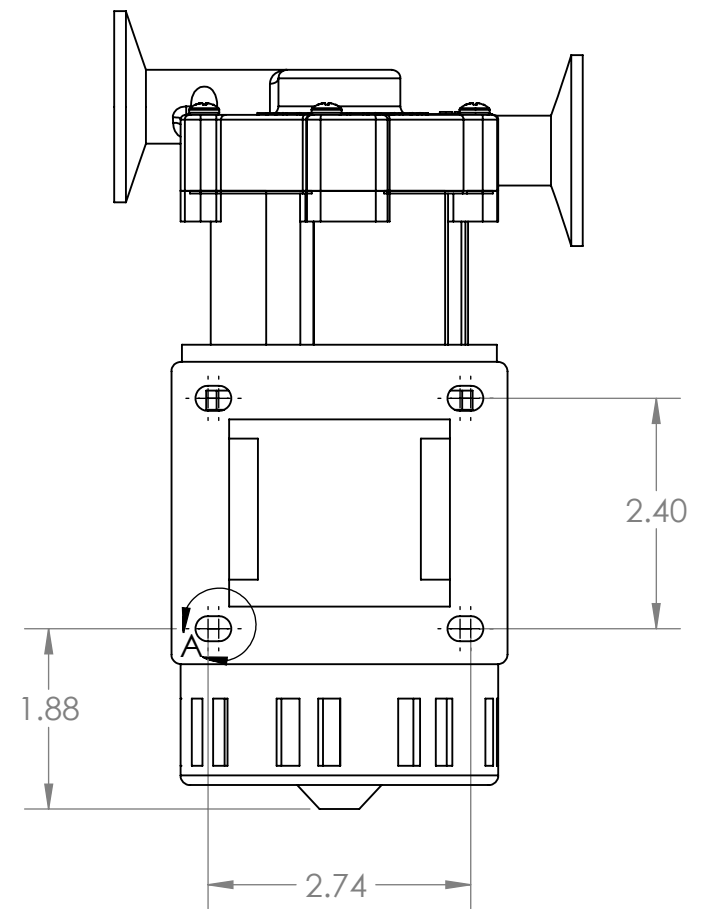
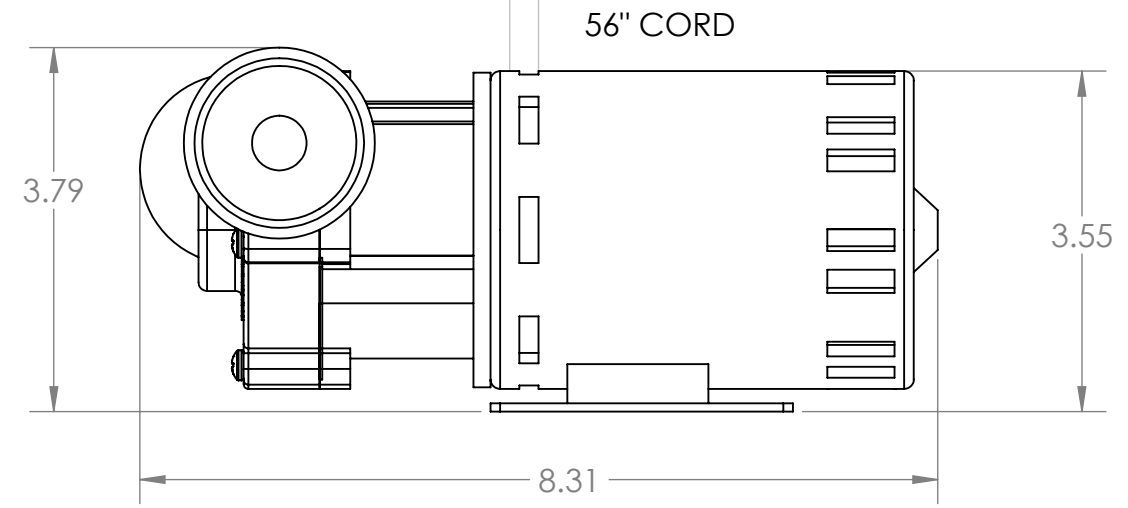
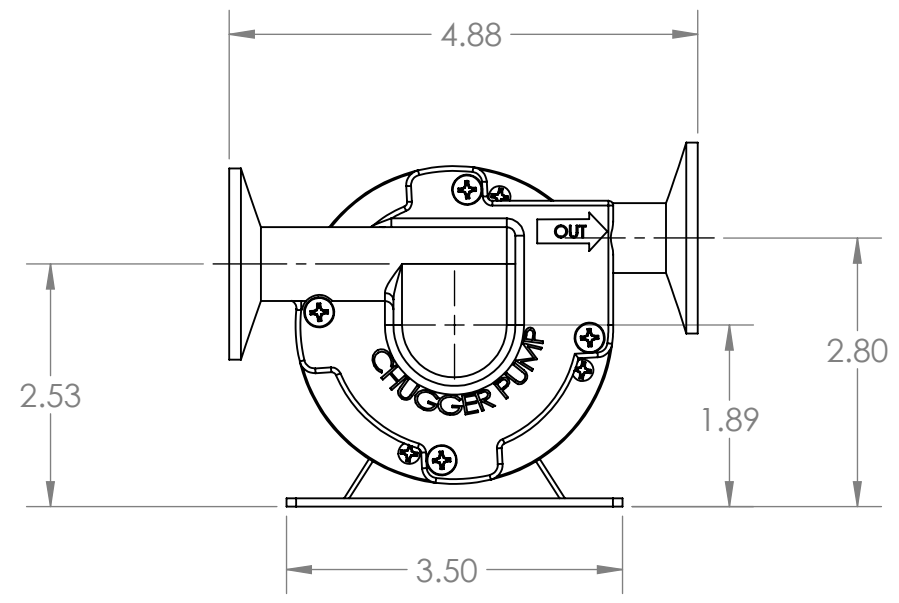
1

B

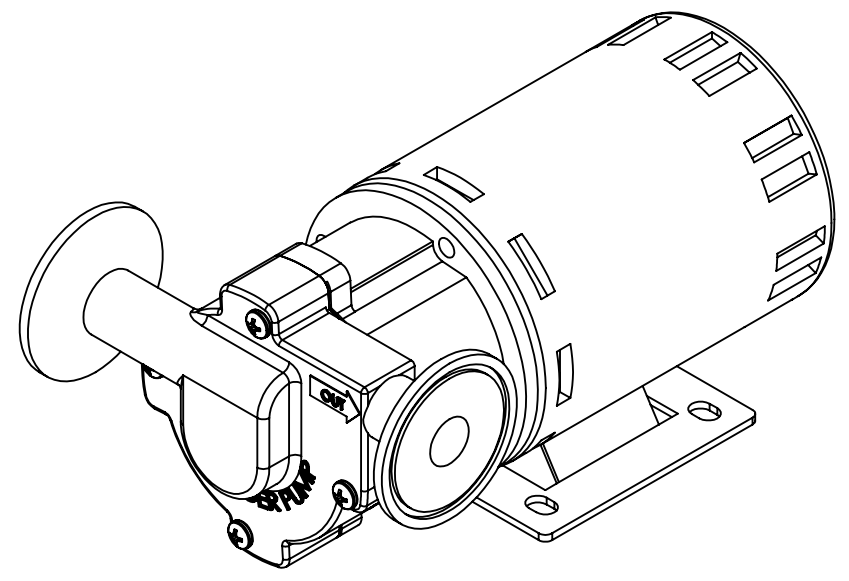
B

A

A



DETAIL A  
SCALE 1 : 1



3D VIEW

ASSEMBLY

TRI-XCPSS-IN-1

SCALE: 1:2

SHEET 2 OF 2

4

3

2

1