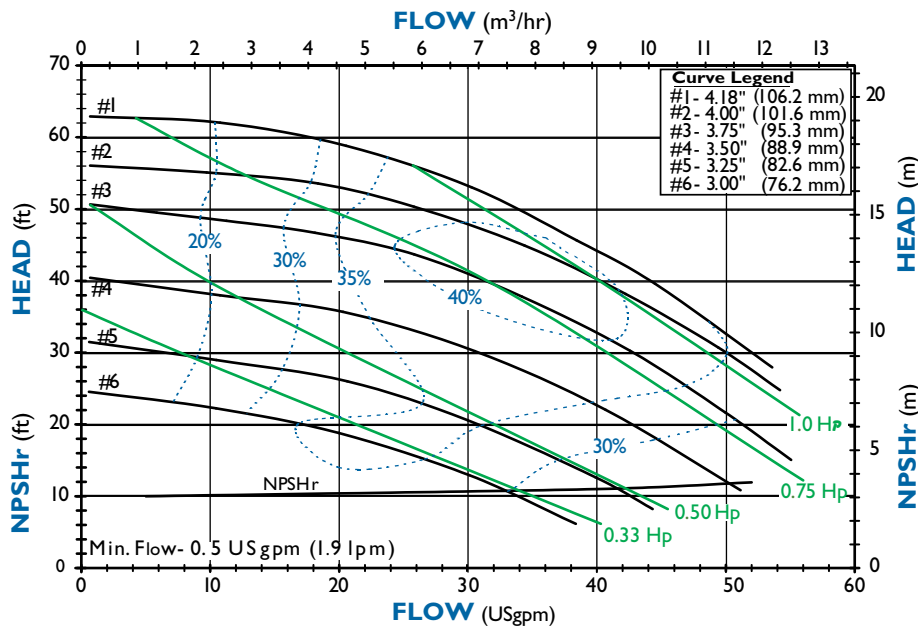


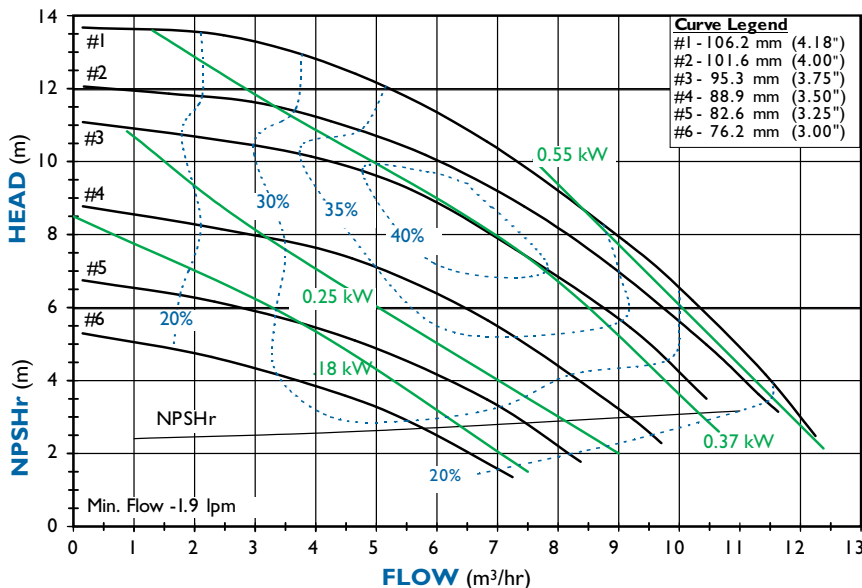
SP Series: Model SPI0



SPI0 PERFORMANCE Flooded Suction 3450 RPM*



SPI0 PERFORMANCE Flooded Suction 2900 RPM*



Notes: Performance curves above are based on flooded suction.

*Performance will vary with suction lift conditions. For performance at various suction lifts, see curve book on FTI web site (www.finishthompson.com) or contact factory.

Warning! SP Series not recommended for pumping flammables!

FEATURES & CAPABILITIES

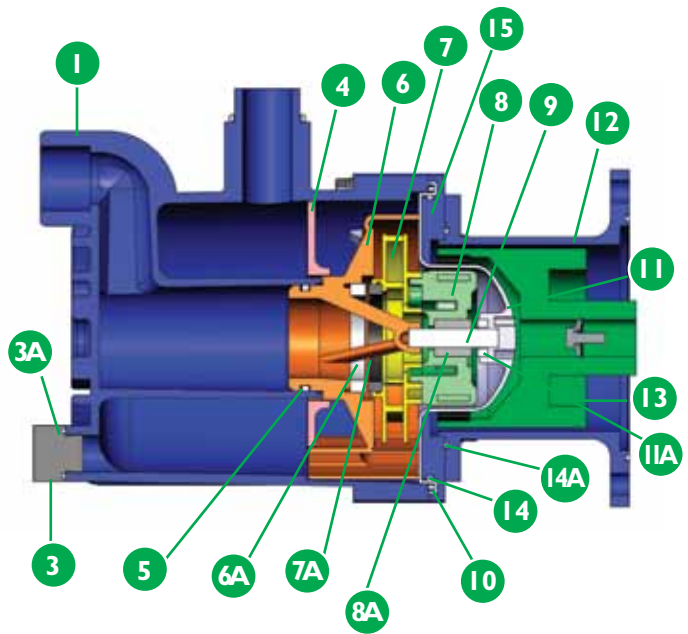
- + Self-priming, magnetic drive
- + Five-year warranty
- + Provides up to 25 ft. (7.6 m) lift or equivalent
- + Primes 15 ft. (4.6 m) in < 2 minutes with maximum diameter impeller
- + Retains fluid for re-priming when shut off without a check valve
- + Extended run dry ability (with carbon bushing)
- + High operating efficiency
- + Polypropylene or PVDF construction
- + Powerful neodymium magnets
- + Close-coupled design
- + Threaded (NPT or BSP), union or flange connections
- + Back pullout design
- + Mounts to NEMA and (B5 & B14) IEC motor frames
- + Easy set measurement free drive
- + ISO 1940 G2.5 balancing
- + CE certified
- + High working pressure up to 80 psi (5.5 bar)
- + Specific gravity over 1.8
- + Polypropylene—180° F (82° C)
- + PVDF—220° F (104° C)

APPLICATIONS

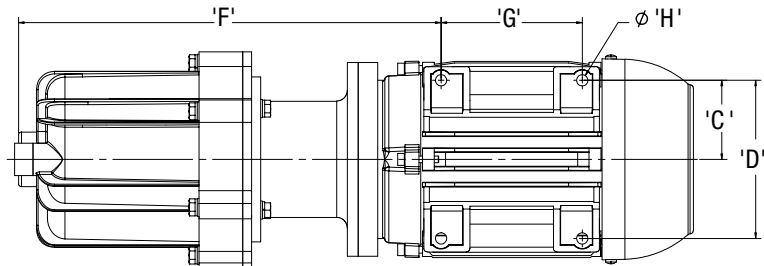
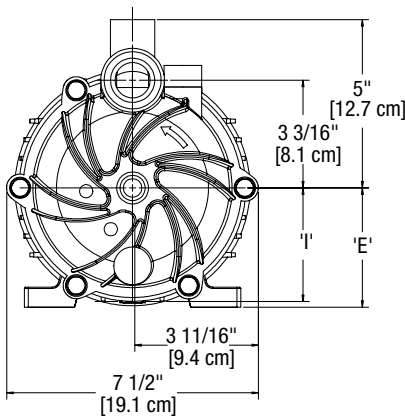
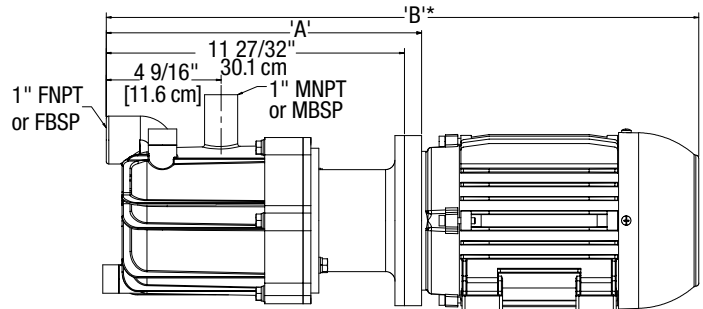
- + Rail cars
- + Tanker trucks
- + Tanks with an opening on top
- + Bulk storage to day or process tank transfer
- + Sumps and reservoirs
- + Below grade storage tanks
- + Over-the-wall applications
- + When run-dry protection is needed
- + and many more!

| Description | Polypropylene Models | PVDF Models |
|--|---|--|
| 1 Housing | | |
| 4 Separator plate | Glass-fiber reinforced polypropylene | Carbon-fiber reinforced PVDF |
| 6 Inner volute | | |
| 7 Impeller | | |
| 3A, 5, 10 O-ring options | FKM, EPDM | |
| 3 Fill and drain plugs* | Polypropylene | PVDF |
| 6A Inner volute thrust ring options | High purity alumina ceramic, silicon carbide | |
| 7A Impeller thrust washer options | Molybdenum disulfide filled PTFE, silicon carbide | |
| 8 Inner drive | Neodymium iron boron magnets encapsulated in unfilled polypropylene | Neodymium iron boron magnets encapsulated in unfilled PVDF |
| 8A Bushing options | Carbon, PTFE, high purity alumina ceramic, silicon carbide | |
| 9 Shaft options | High purity alumina ceramic, Hastelloy® C, silicon carbide | |
| 11 Barrier | Glass-fiber reinforced polypropylene | Carbon-fiber reinforced PVDF |
| 11A Barrier thrust ring | High purity alumina ceramic | |
| 12 Motor adapter | Glass fiber reinforced polypropylene | |
| 13 Outer drive magnets | Nickel-plated neodymium iron boron magnets/steel | |
| 14, 14A, 14B Motor adapter o-rings | Buna N (std.), FKM, EPDM | |
| 15 Clamp ring | Carbon steel | |

*Fill plug not shown



Hastelloy® C is a registered trademark of Haynes International, Inc.



| Frame Size | A | B* | C | D | E |
|--------------|---------------------|---------------------|-------------------|--------------------|-------------------|
| NEMA 56C | 11-27/32" (30.1 cm) | 22-3/32" (56.1 cm) | 2-7/16" (6.2 cm) | 4-7/8" (12.4 cm) | 3-1/2" (8.9 cm) |
| NEMA 145TC | 11-27/32" (30.1 cm) | 23-1/16" (58.6 cm) | 2-3/4" (7.0 cm) | 5-1/2" (14.0 cm) | 3-1/2" (8.9 cm) |
| IEC63 B14/B5 | 12-3/16" (31.0 cm) | 18-31/32" (48.2 cm) | 1-31/32" (5.0 cm) | 3-15/16" (10.0 cm) | 2-15/32" (6.3 cm) |
| IEC71 B14/B5 | 12-3/16" (31.0 cm) | 20-1/2" (52.0 cm) | 2-7/32" (5.6 cm) | 4-13/32" (11.2 cm) | 2-25/32" (7.1 cm) |
| IEC80 B14/B5 | 12-17/32" (31.8 cm) | 21-3/4" (55.2 cm) | 2-15/32" (6.3 cm) | 4-29/32" (12.5 cm) | 3-5/32" (8.0 cm) |
| IEC90 B14/B5 | 12-17/32" (31.8 cm) | 23-17/32" (59.8 cm) | 2-3/4" (7.0 cm) | 5-1/2" (14.0 cm) | 3-17/32" (9.0 cm) |

| Frame Size | F | G | H | I | Pump Wt. - lbs (kg) | Motor Wt.** - lbs. (kg) |
|--------------|---------------------|--------------------|-----------------|--------------------|---------------------|-------------------------|
| NEMA 56C | 14-19/32" (37.1 cm) | 3" (7.6 cm) | 11/32" (0.9 cm) | 3-3/8" (8.6 cm) | 13 (5.9) | 28 (12.7) |
| NEMA 145TC | 14-7/32" (36.1 cm) | 5" (12.7 cm) | 11/32" (0.9 cm) | 3-3/8" (8.6 cm) | 13 (5.9) | 32 (14.5) |
| IEC63 B14/B5 | 13-5/16" (33.8 cm) | 3-5/32" (8.0 cm) | 9/32" (0.7 cm) | 3-3/8" (8.6 cm) | 16.5 (7.5) | 17 (7.7) |
| IEC71 B14/B5 | 14-1/16" (35.7 cm) | 3-17/32" (9.0 cm) | 9/32" (0.7 cm) | 3-3/8" (8.6 cm) | 16.5 (7.5) | 22 (10.0) |
| IEC80 B14/B5 | 14-7/16" (36.7 cm) | 3-15/16" (10.0 cm) | 13/32" (1.0 cm) | 3-15/16" (10.0 cm) | 19 (8.6) | 37.5 (17.0) |
| IEC90 B14/B5 | 14-23/32" (37.4 cm) | 3-15/16" (10.0 cm) | 13/32" (1.0 cm) | 3-15/16" (10.0 cm) | 19 (8.6) | 37.5 (17.0) |

Dimensions and weights are for reference only.

*Varies with motor manufacturer.

** Depends upon motor manufacturer and style of motor chosen.

