



45HB, 70HB

HIGH PRESSURE CENTRIFUGAL BOOSTER PUMP

FEATURES

Multi-Stage Design: This configuration provides a steady, quiet and vibration-free operation for years of trouble-free service.

Impellers and Diffusers: Glass filled thermoplastic. Precision molded for high efficiencies.

Bowls: Constructed with 300 series stainless steel. Rabbet lock for positive alignment – no gaskets required.

Mechanical Seal: Carbon/ceramic faces. BUNA elastomers 300 series stainless steel metal parts.

Motor: Close-coupled design. Ball bearings carry all radial/axial thrust loads. Designed for continuous operation. All ratings are within working limits of the motor.

WARNING: This is a booster pump. It has no lift capability. DO NOT RUN DRY. DO NOT DEADHEAD.

APPLICATIONS

Wide variety of industrial, commercial and agricultural uses, especially:

- High rise buildings
- Multiple dwelling buildings
- Reverse osmosis systems
- High pressure cleaning
- Spraying systems
- Booster service

SPECIFICATIONS

Pump

- Capacities: to 100 GPM
- Heads: to 760 feet.
- Pipe connections: Suction 2" NPT, Discharge 2" NPT.
- Temperature: 160°F (71°C) maximum.
- Inlet pressure: 100 PSI maximum.
- Rotation: right hand, i.e., clockwise when viewed from motor end.

Motor

- Open drip-proof or TEFC enclosure 60 Hz, 3500 RPM. Threaded shaft extension.
- Single phase: 3 HP 115/208–230 V
5 HP 208–230 V
7½ HP 208–230 V.
- Three phase: 3–10 HP 208–230/460 V.

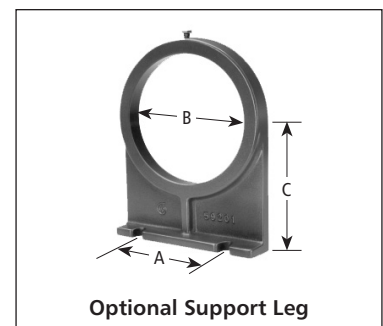
MODELS

| Order No. | HP | No. of Stages | Phase | Enclosure | Frame | W.E.L. | Weight (lbs.) |
|-------------|----|---------------|-------|-----------|-------|--------|---------------|
| 45HB13012 | 3 | 3 | 1 | ODP | 182 | 11½ | 88 |
| 45HB23012 | 3 | 2 | 1 | TEFC | 184 | 10¾ | 101 |
| 45HB13035 | 3 | 3 | 3 | ODP | 145 | 11½ | 59 |
| 45HB23035 | 3 | 2 | 3 | TEFC | 182 | 10¾ | 83 |
| 45HB15013 | 5 | 5 | 1 | ODP | 184 | 13¾ | 100 |
| 45HB25013 | 5 | 4 | 1 | TEFC | 213 | 12¾ | 147 |
| 45HB15035 | 5 | 5 | 3 | ODP | 182 | 13¾ | 80 |
| 45HB25035 | 5 | 4 | 3 | TEFC | 184 | 12¾ | 99 |
| 45HB17513 | 7½ | 7 | 1 | ODP | 213 | 16¼ | 169 |
| 45HB17535 | 7½ | 7 | 3 | ODP | 184 | 16¼ | 103 |
| 45HB27535 | 7½ | 6 | 3 | TEFC | 213 | 15¾ | 150 |
| 45HB11135 ① | 10 | 10 | 3 | ODP | 213 | 21½ | 155 |
| 45HB21135 | 10 | 8 | 3 | TEFC | 215 | 17½ | 190 |
| 70HB13012 | 3 | 2 | 1 | ODP | 182 | 10¾ | 86 |
| 70HB23012 | 3 | 2 | 1 | TEFC | 184 | 10¾ | 99 |
| 70HB13035 | 3 | 2 | 3 | ODP | 145 | 10¾ | 57 |
| 70HB23035 | 3 | 2 | 3 | TEFC | 182 | 10¾ | 81 |
| 70HB15013 | 5 | 4 | 1 | ODP | 184 | 12¾ | 98 |
| 70HB25013 | 5 | 3 | 1 | TEFC | 213 | 11½ | 145 |
| 70HB15035 | 5 | 4 | 3 | ODP | 182 | 12¾ | 78 |
| 70HB25035 | 5 | 3 | 3 | TEFC | 184 | 11½ | 97 |
| 70HB17513 | 7½ | 6 | 1 | ODP | 213 | 15¾ | 170 |
| 70HB17535 | 7½ | 6 | 3 | ODP | 184 | 15¾ | 101 |
| 70HB27535 | 7½ | 5 | 3 | TEFC | 213 | 13¾ | 148 |
| 70HB11135 ① | 10 | 9 | 3 | ODP | 213 | 20¼ | 153 |
| 70HB21135 | 10 | 7 | 3 | TEFC | 215 | 17½ | 188 |

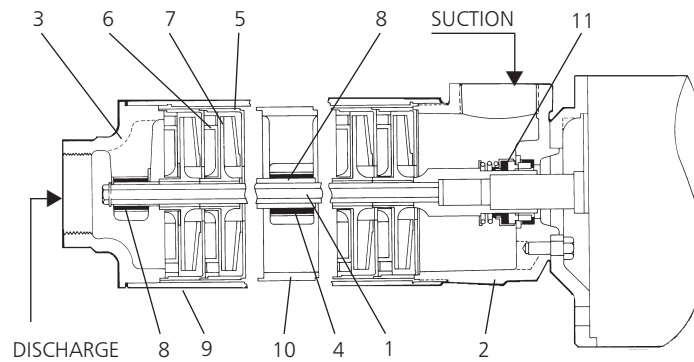
OPTIONAL SUPPORT LEG – dimensions (in inches)

| Model | Frame | A | B | C |
|-------|---------|----|----|----|
| AM200 | 182/184 | 4⅞ | 5¾ | 4½ |
| AM201 | 213/215 | 4⅞ | 5¾ | 5¼ |

NOTE: Support leg is not required for 145 frame motors.



COMPONENTS

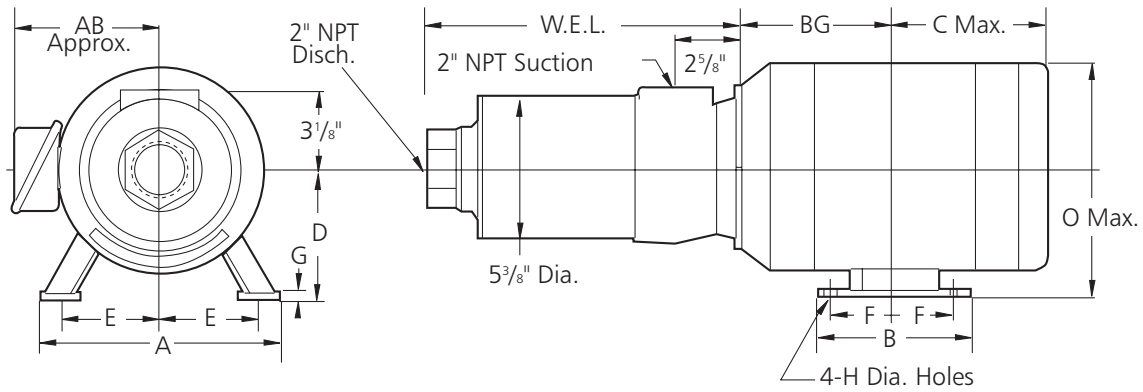


| Item No. | Description | Material |
|----------|-----------------------------|--|
| 1 | Hex shaft and coupling | 300 series stainless steel |
| 2 | Suction housing | Brass (ASTM B584) |
| 3 | Discharge head | Brass (ASTM B584) |
| 4 | Shaft sleeve | 300 series stainless steel |
| 5 | Bowl | 300 series stainless steel |
| 6 | Diffuser | Glass-filled thermoplastic |
| 7 | Impeller | Glass-filled thermoplastic |
| 8 | Marine bearing | BUNA |
| 9 | Casing | 300 series stainless steel |
| 10 ① | Intermediate bearing spider | Brass (ASTM B584) – only on 9 and 10 stage units |
| 11 | Mechanical seal | Carbon/ceramic faces, BUNA elastomers, 300 series stainless steel metal parts. |

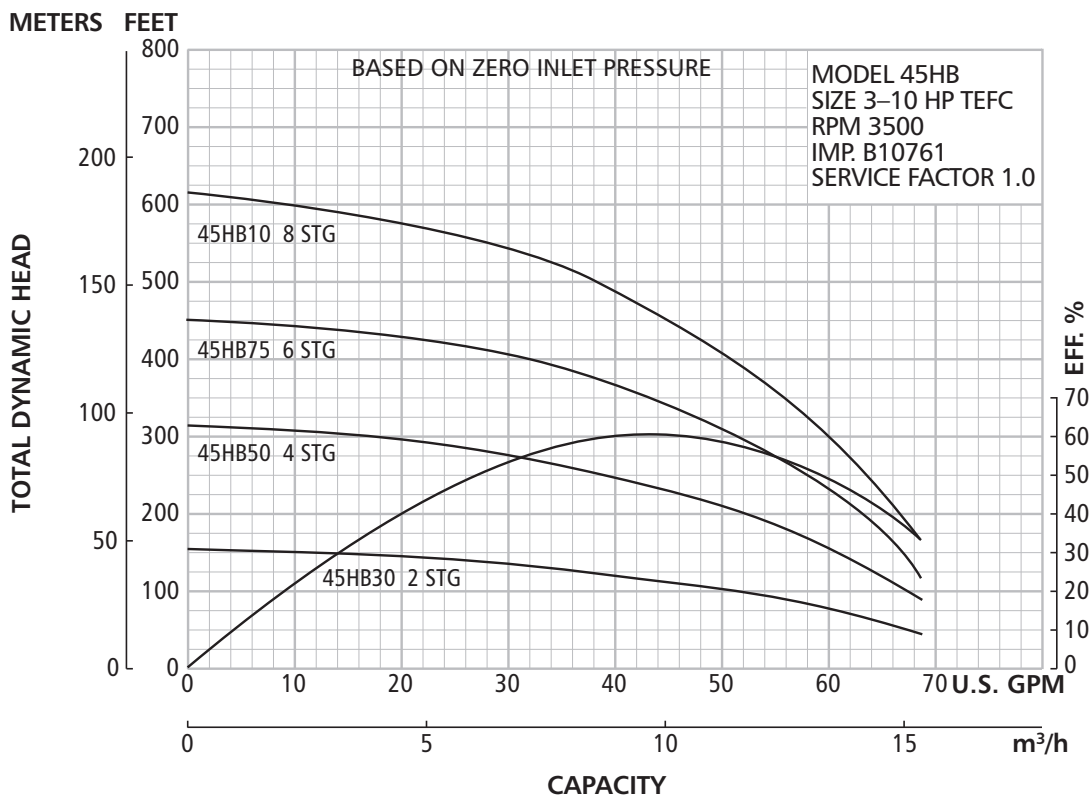
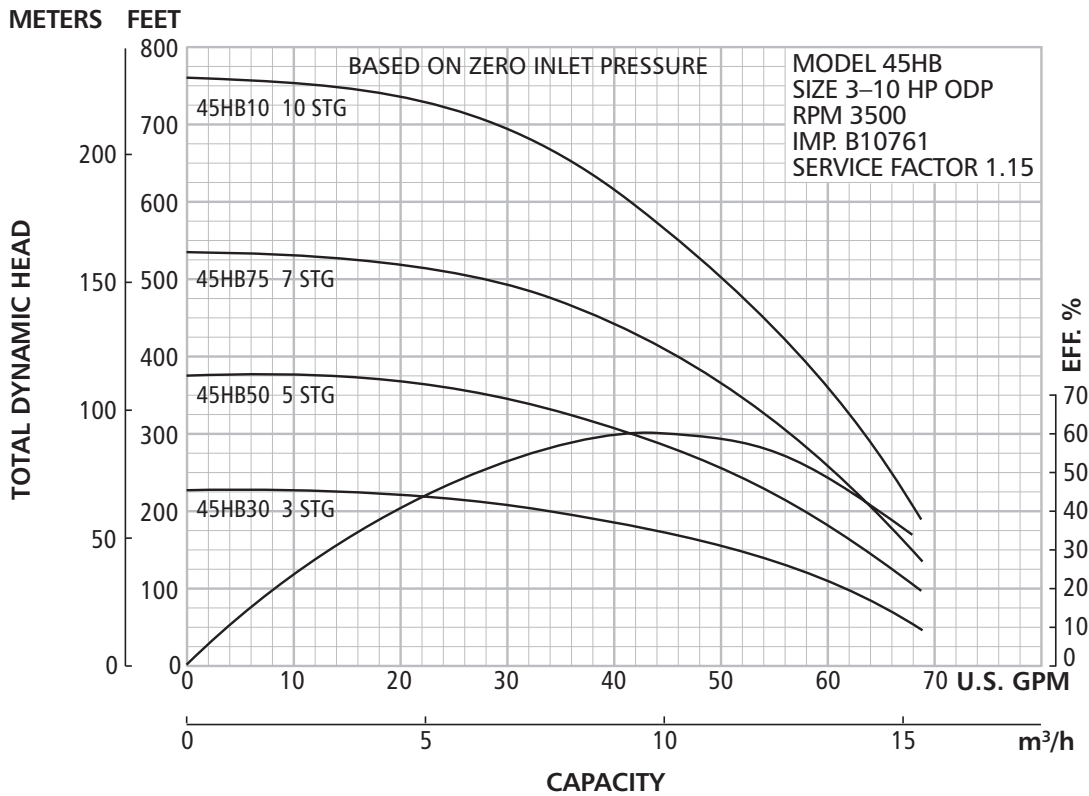
DIMENSIONS – determined by motor (in inches)

| Frame | A | AB | B | BG | C | D | E | F | G | H | O |
|---------------------------------|----|-------------------------------|---------------------------------|-------------------------------|--------------------------------|----|----|----|------------------------------|-------------------------------|---------------------------------|
| 145 | 6½ | 5¼ | 5 ¹⁵ / ₁₆ | 4 ⁷ / ₈ | 6 | 3½ | 2¾ | 2 | ⁵ / ₃₂ | ¹¹ / ₃₂ | 6 ⁵ / ₈ |
| ¹⁸² / ₁₈₄ | 8½ | 6 | 6½ | 5¾ | 9 ⁹ / ₁₆ | 4½ | 3¾ | 2¼ | ⁵ / ₃₂ | ¹³ / ₃₂ | 8½ |
| ²¹³ / ₂₁₅ | 9½ | 7 ³ / ₈ | 8 | 7¼ | 9 ⁷ / ₁₆ | 5¼ | 4¼ | 2¾ | ⁷ / ₃₂ | ¹³ / ₃₂ | 10 ³ / ₁₆ |

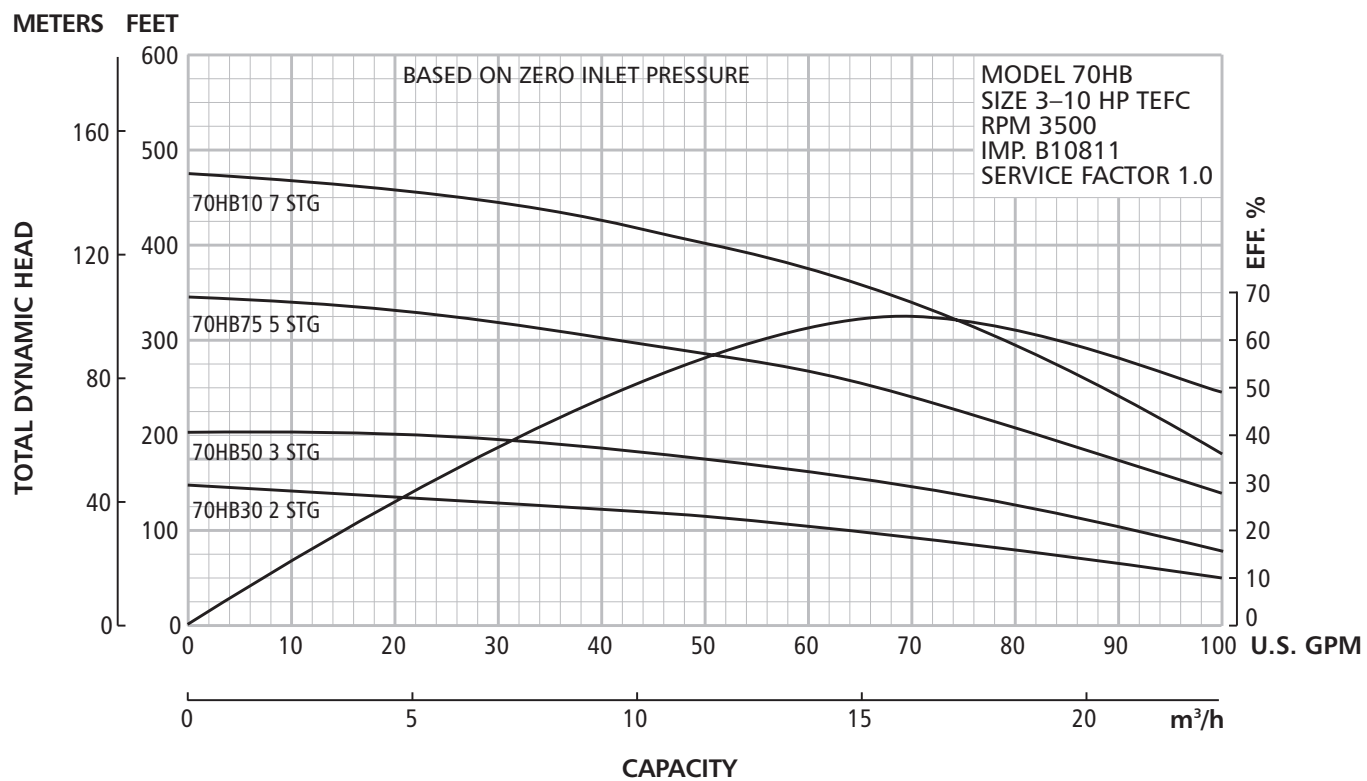
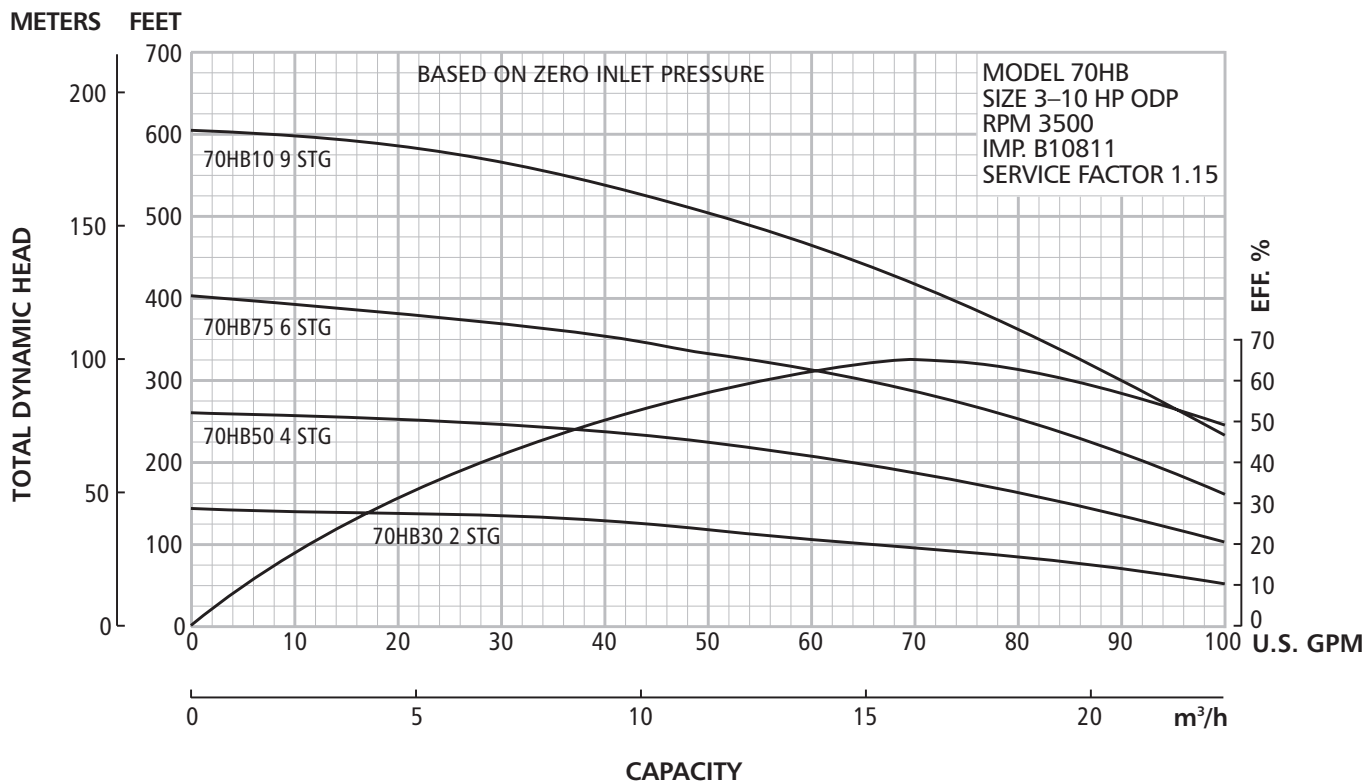
(All dimensions are in inches. Do not use for construction purposes.)



45HB CLOSE-COUPLED MULTI-STAGE PUMP CURVES



70HB CLOSE-COUPLED MULTI-STAGE PUMP CURVES



Xylem |'zīləm|

- 1) The tissue in plants that brings water upward from the roots;
- 2) a leading global water technology company.

We're 12,000 people unified in a common purpose: creating innovative solutions to meet our world's water needs. Developing new technologies that will improve the way water is used, conserved, and re-used in the future is central to our work. We move, treat, analyze, and return water to the environment, and we help people use water efficiently, in their homes, buildings, factories and farms. In more than 150 countries, we have strong, long-standing relationships with customers who know us for our powerful combination of leading product brands and applications expertise, backed by a legacy of innovation.

For more information on how Xylem can help you, go to www.xylem.com



Xylem, Inc.
2881 East Bayard Street Ext., Suite A
Seneca Falls, NY 13148
Phone: (800) 453-6777
Fax: (888) 322-5877
www.xylem.com/brands/gouldswatertechnology

Goulds is a registered trademark of Goulds Pumps, Inc. and is used under license.
© 2012 Xylem Inc. B45-70HB February 2012