

# **MAINTENANCE MANUAL**

YAMADA AIR-OPERATED DIAPHRAGM PUMPS

**NDP-40** series  
**NDP-50** series  
**NDP-80** series

## **WARNING**



- For your own safety, be sure to read these procedures carefully before performing maintenance on this product. After reading this document, be sure to keep it handy for future reference.

This maintenance manual covers what you should know about maintenance of the Yamada NDP-40 series, NDP-50 series and NDP-80 series Diaphragm Pumps.

This edition is based on the standards for the March 2011 production run. Remember, the specifications are always subject to change; therefore, some of the information in this edition may not apply to new specifications.

### **Warnings and Cautions**

For safe use of this product, be sure to note the following: In this document, warnings and cautions are indicated by symbols. These symbols are for those who will operate this product and for those who will be nearby, for safe operation and for prevention of personal injury and property damage. The following warning and caution symbols have the meanings described below. Be sure to remember their meanings.



**WARNING :** If you ignore the warning described and operate the product in an improper manner, there is danger of serious bodily injury or death.



**CAUTION :** If you ignore the caution described and operate the product in an improper manner, there is danger of personal injury or property damage.

Furthermore, to indicate the type of danger and damage, the following symbols are also used along with those mentioned above:



This symbol indicates a DON'T, and will be accompanied by an explanation on something you must not do.



This symbol indicates a DO, and will be accompanied by instructions on something you must do in a certain situation.

## **WARNING**



- Before starting maintenance work, cut off the feed air and clean the pump. If air pressure or residue remain in the pump, there is danger of explosion, or possible poisoning resulting in serious injury or death if chemicals adhere to the skin or are accidentally swallowed. (For details on cleaning the pump, refer to Chapter 6 of the operating manual.)
- When replacing parts, be sure to use the recommended genuine parts or Equivalents. Use of other parts may cause a malfunction of the product. (Refer to Exploded View and Reminder to order correct item on the separate sheets.)

## **CAUTION**



- When it is instructed that special tools must be used, be sure to use the specified tools. Otherwise, the pump may be damaged.
- Refer to 10.1 "Specifications" in the Operating Manual. Also, remember that the pump is heavy, and extreme care must be taken when lifting it.

# Table of Contents

·Warnings and Cautions

·Table of Contents

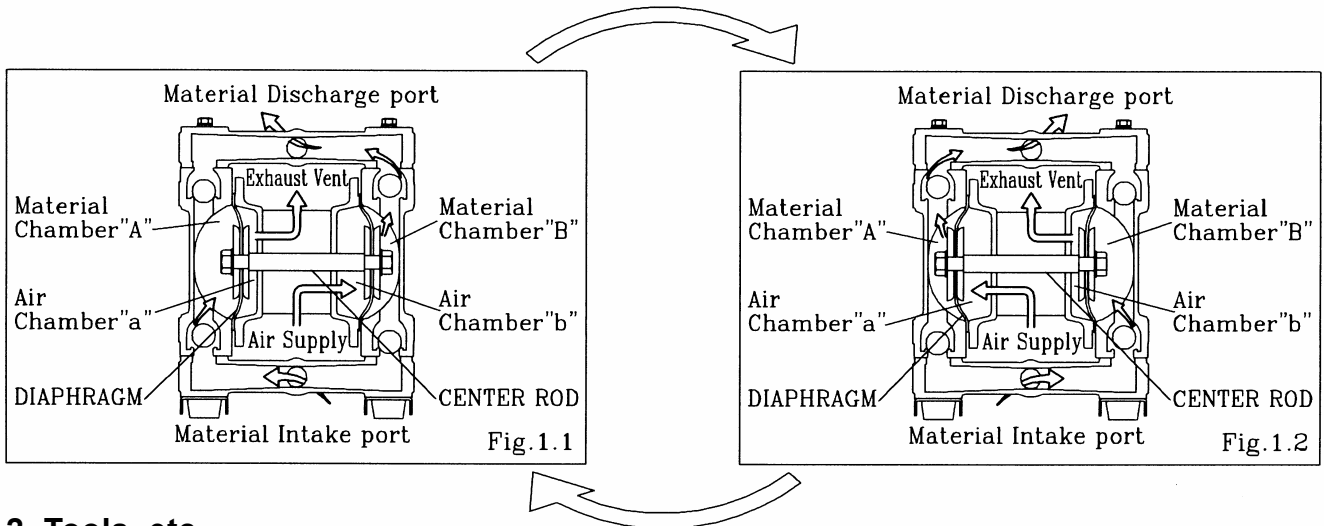
|  |    |
|--|----|
| <b>1. Principles of operation</b> .....    | 1  |
| <b>2. Tools, etc.</b>                      |    |
| 2.1 General tools .....                    | 1  |
| 2.2 Special tools .....                    | 1  |
| 2.3 Misc. ....                             | 1  |
| <b>3. Ordering Replacement parts</b> ..... | 1  |
| <b>4. Balls and Valve seats</b>            |    |
| 4.1 Removal                                |    |
| ■BA_, BS_, BF_ types .....                 | 2  |
| ■NDP-40 BP_·BV_ type .....                 | 3  |
| ■NDP-50 BP_·BV_, NDP-80 BP_ types .....    | 4  |
| 4.2 Inspection .....                       | 5  |
| 4.3 Installation .....                     | 5  |
| <b>5. Diaphragm and Center rod</b>         |    |
| 5.1 Removal                                |    |
| ■BA_, BS_, BF_ types .....                 | 6  |
| ■BP_, BV_ types .....                      | 6  |
| 5.2 Inspection .....                       | 7  |
| 5.3 Installation                           |    |
| ■B_C, B_N, B_E, B_V, B_H, B_S types .....  | 7  |
| ■B_T types .....                           | 8  |
| <b>6. Throat bearing and Pilot valve</b>   |    |
| 6.1 Removal .....                          | 9  |
| 6.2 Inspection .....                       | 9  |
| 6.3 Installation .....                     | 9  |
| <b>7. C Spool valve assembly</b>           |    |
| 7.1 Removal .....                          | 10 |
| 7.2 Inspection .....                       | 11 |
| 7.3 Installation .....                     | 11 |
| <b>8. Retightening of Tie rods</b> .....   | 12 |

# 1. Principles of operation

There are two diaphragms fixed to the center rod, one at each end. When compressed air is supplied to air chamber b (right side, see Fig. 1.1), the center rod moves to the right, the material in material chamber B is pushed out, and at the same time material is sucked into material chamber A.

When the center rod is moved full-stroke to the right, the air switch valve is switched, compressed air is sent to air chamber a (left side, see Fig.1.2), and the center rod moves to the left. The material in material chamber A is pushed out, and at the same time material is sucked into material chamber B.

Through repetition of this operation, material is repeatedly taken in and discharged out.



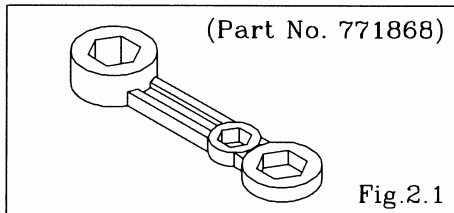
# 2. Tools, etc.

## 2.1 General tools

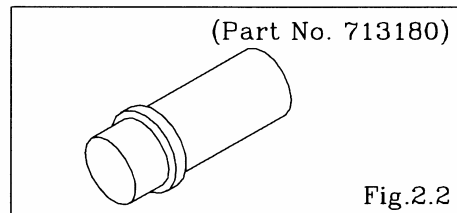
- Socket wrenches 13mm, 17mm, 19mm (except with the NDP-40 BP\_, BV\_), 24mm (BA\_, BS\_, BF\_)
- Hexagonal box wrenches 5mm, 6mm
- Small crowbars 2 (B\_C, B\_N, B\_E, B\_V)
- Open-end wrenches 17mm (NDP-40 BP\_, BV\_), 19mm (BA\_, BS\_, BF\_), 24mm (BA\_, BS\_, BF\_)
- Plastic hammer

## 2.2 Special tools

- PP wrench (sold separately)  
Purpose: Removing the center disk of BP\_ and BV\_ types



- Sleeve remover (sold separately)  
Purpose: For removing sleeve



## 2.3 Misc.

- Assembly oil Turbine oil none addition class 1 (equivalent ISO VG32 grade)
- Nuts M16 X 1.5
- Thread locker
- Grease Urea grease grade (NLGI) No. 2

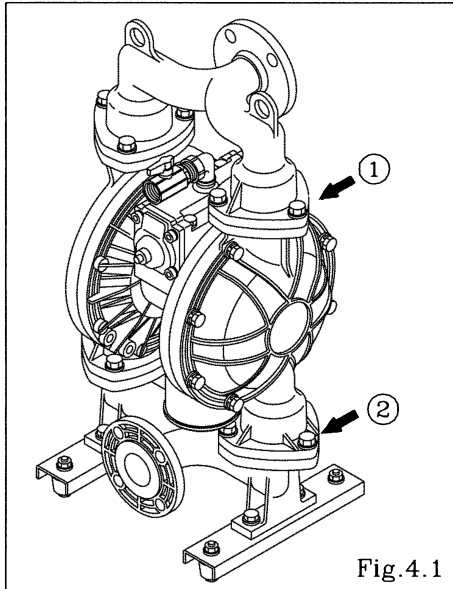
# 3. Ordering Replacement parts

For accurate and speedy shipment of parts, be sure to order the right parts for your model to distributor. Indicate the part numbers, descriptions, and quantities.

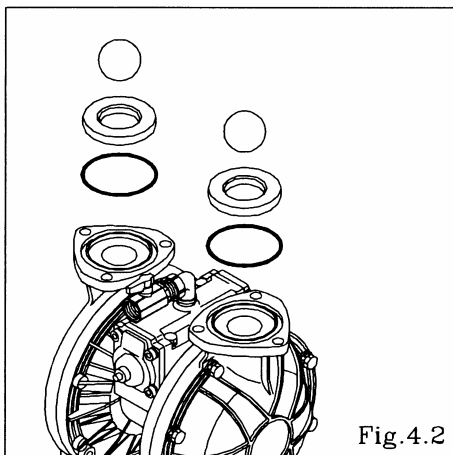
## 4. Balls and Valve seats

### 4.1 Removal

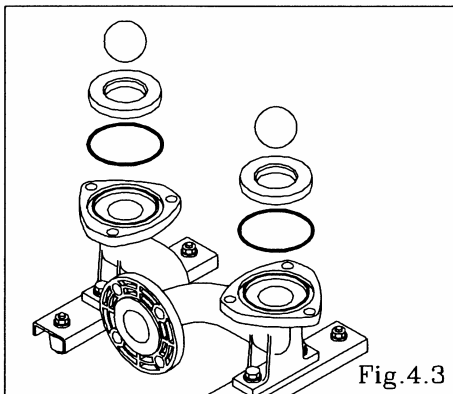
#### ■ BA\_, BS\_, BF\_ types



- Remove the 6 (8 on the NDP-80) retainer bolts "1" from the out manifold, and remove the out manifold. [Fig.4.1]

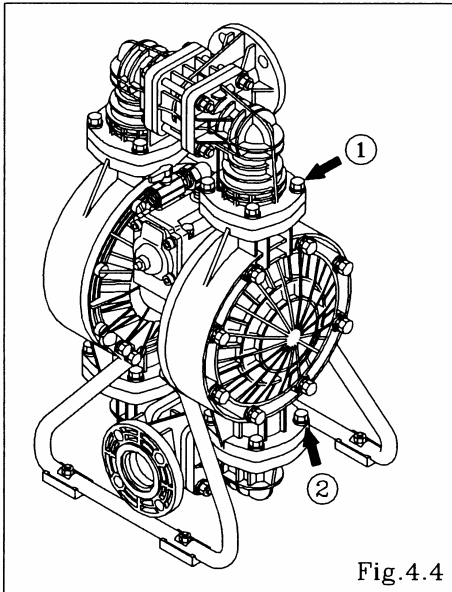


- Remove the ball, valve seat and O ring. [Fig.4.2]

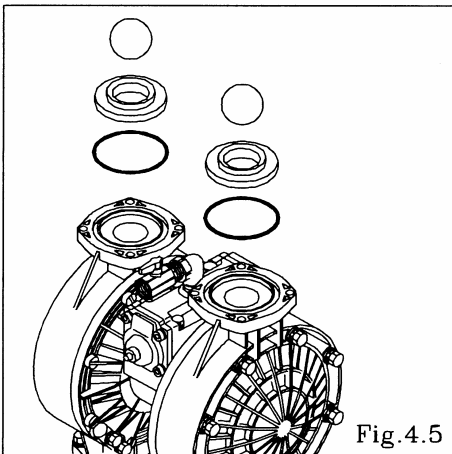


- Remove the 6 (8 on the NDP-80) retainer bolts "2" from the in manifold, and remove the in manifold. [Fig.4.1]
- Remove the ball, valve seat and O ring. [Fig.4.3]

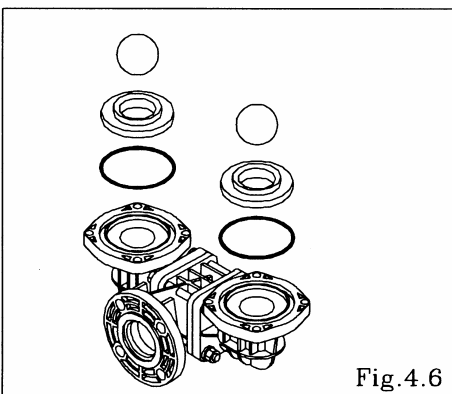
## ■ NDP-40 BP\_·BV\_ type



- Remove the 8 retainer bolts "1" from the out manifold, and remove the out manifold. [Fig.4.4]

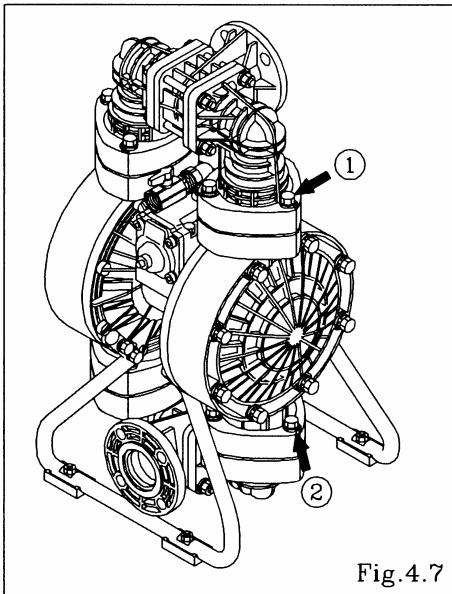


- Remove the ball, valve seat and O ring. [Fig.4.5]

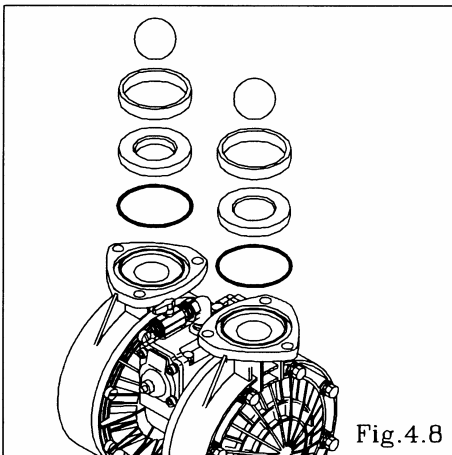


- Remove the 8 retainer bolts "2" from the in manifold, and remove the in manifold. [Fig.4.4]
- Remove the ball, valve seat and O ring. [Fig.4.6]

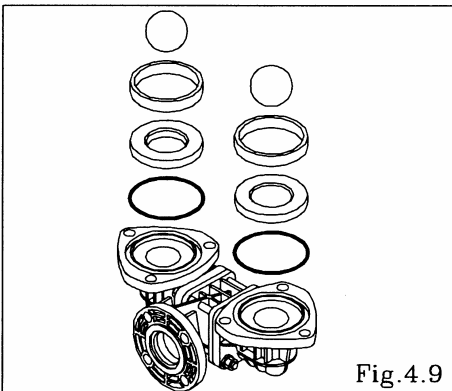
## ■ NDP-50 BP\_·BV\_, NDP-80 BP\_ types



- Remove the 6 (8 on the NDP-80) retainer bolts "1" from the out manifold, and remove the protector and out manifold. [Fig.4.7]

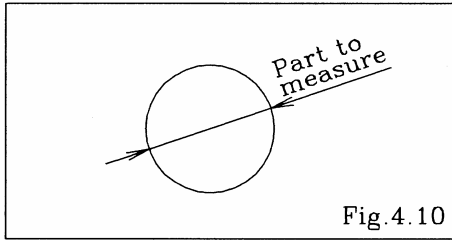


- Remove the ball, valve guide (only NDP-80), valve seat and O ring. [Fig.4.8]



- Remove the 6 (8 on the NDP-80) retainer bolts "2" from the in manifold, and remove the protector and in manifold. [Fig.4.7]
- Remove the ball, valve guide (only NDP-80), valve seat and O ring. [Fig.4.9]

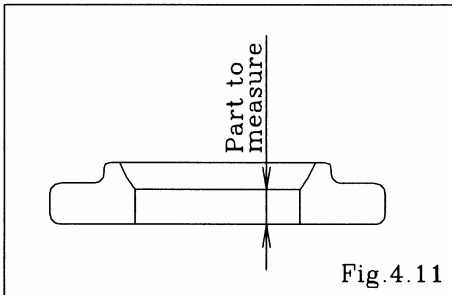
## 4.2 Inspection



- Ball [Fig.4.10]  
Measure the outside diameter, and if it is outside the usable range, replace the ball.

Usable range of ball

|        |  |
|--------|--|
| NDP-40 | Sø1.772 ~ Sø2.028 in<br>{Sø45.0 ~ Sø51.5 mm} |
| NDP-50 | Sø2.232 ~ Sø2.555 in<br>{Sø56.7 ~ Sø64.9 mm} |
| NDP-80 | Sø3.189 ~ Sø3.650 in<br>{Sø81.0 ~ Sø92.7 mm} |



- Valve seat [Fig.4.11]  
Measure the dimension shown at left, and if it is outside the usable range, replace the seat.

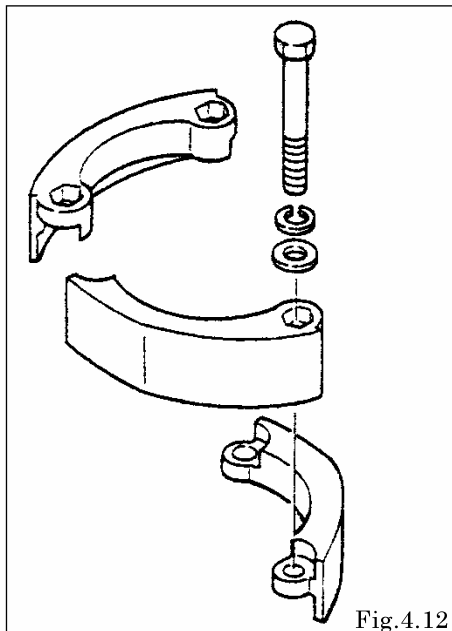
Usable range of valve seat

|        | B_C, B_N, B_E<br>B_V, B_H, B_S      | B_T                                |
|--------|-------------------------------------|------------------------------------|
| NDP-40 | 0.181 ~ 0.453 in<br>{4.6 ~ 11.5 mm} | 0.067 ~ 0.161 in<br>{1.7 ~ 4.1 mm} |
| NDP-50 | 0.197 ~ 0.492 in                    |                                    |
| NDP-80 | {5.0 ~ 12.5 mm}                     |                                    |

- O ring (other than PTFE)  
If O ring is worn out or cracked, replace it.

## 4.3 Installation

For installation, see [Exploded View] on the separate sheet and install in the reverse order of disassembly.



Tightening torque for manifold retainer bolts

|                    |          |                    |
|--------------------|----------|--------------------|
| 15 ft-lbf {20 N-m} |          |                    |
| NDP-50             | BP_, BV_ | 18 ft-lbf {25 N-m} |
| NDP-80             | BP_      |                    |

<NOTE>

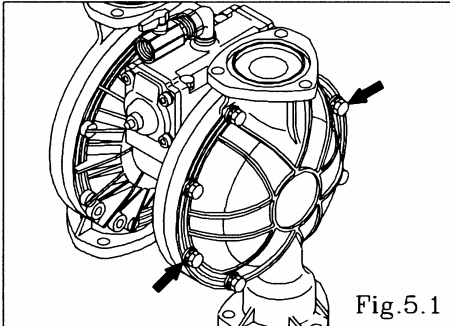
- Make sure there is no dust on the seal surface and the seal is not damaged.
- Replace the PTFE O ring regardless of its condition.
- Match the convex and concave parts of the protector.  
[Fig.4.12] (NDP-50 BP\_·BV\_, NDP-80 BP\_)



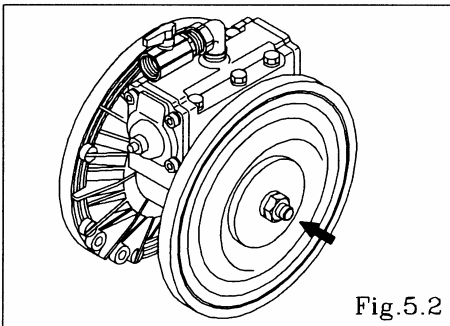
## 5. Diaphragm and Center rod

### 5.1 Removal

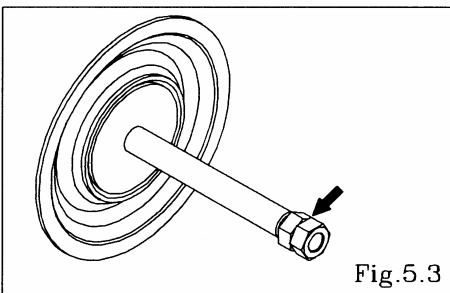
#### ■BA\_, BS\_, BF\_ types



- Remove the ball and valve seat etc.(see [ 4.1 Removal BA\_, BS\_, BF\_ types])
- Remove the 16 (24 on the NDP-80) retainer bolts from the out chamber, and remove the out chamber. [Fig.5.1]

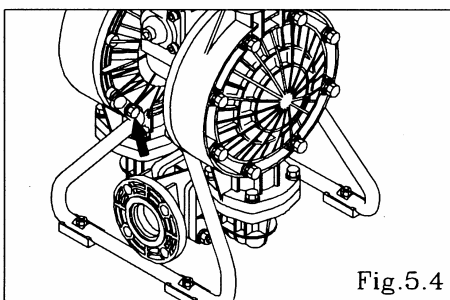


- Remove the nuts on both sides of the center rod. [Fig.5.2]
- After the nut on one side have been removed, remove the center disk and diaphragm. Remove the diaphragm, center disk and center rod from the opposite side of the main body.

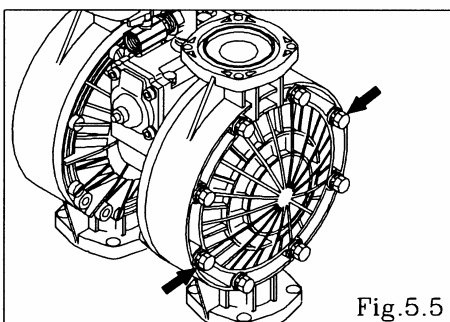


- Remove the nut on the opposite side using the double nut. [Fig.5.3]
- Remove the coned disk spring, center disk and diaphragm.

#### ■BP\_, BV\_ types



- Remove the ball etc.(see [ 4.1 Removal BP\_, BV\_ types])
- Remove the 8 (4 on the NDP-40) retainer bolts from the stand body, and remove the stand body. [Fig.5.4]



- Remove the 16 (24 on the NDP-80) retainer bolts from the out chamber, and remove the out chamber. [Fig.5.5]

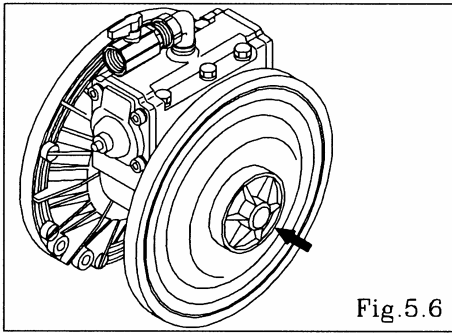


Fig. 5.6

- Remove the center disk from one side using the PP wrench (special tool: Part No. 771868). [Fig.5.6]
- After the center disk (outside) has been removed, remove the diaphragm and the center disk (inside).  
Remove the center disk and center rod from the opposite side of the main body.

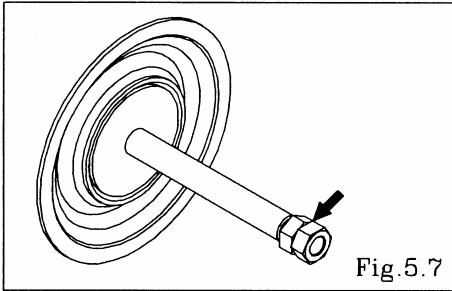


Fig. 5.7

- Fix a double nut to one end of the center rod and take the diaphragm and center disk off the opposite end. [Fig.5.9]  
Be careful not to scratch or score the center rod.

## 5.2 Inspection

- Diaphragm  
If the diaphragm is worn out or damaged, replace it.  
New replace just one diaphragm.

### Guideline of diaphragm life

|               |                  |
|---------------|------------------|
| CR, NBR, EPDM | 10,000,000 cycle |
| FKM           | 2,500,000 cycle  |
| PTFE          | 3,000,000 cycle  |
| TPEE, TPO     | 15,000,000 cycle |

(When used with clean water at room temperature)

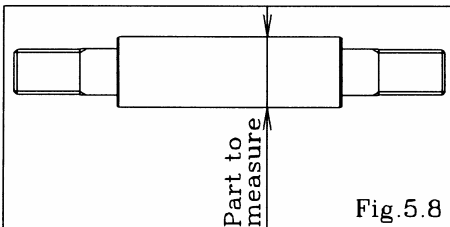


Fig. 5.8

- Center rod [Fig.5.8]  
Measure the diameter, and if it is outside the usable range, replace the rod.

### Usable range of center rod

$\varnothing 0.9815 \sim \varnothing 0.9843$  in { $\varnothing 24.93 \sim \varnothing 25.00$  mm}

## 5.3 Installation

### ■ B\_C, B\_N, B\_E, B\_V, B\_H, B\_S types

For installation, see [Exploded View] on the separate sheet and install in the reverse order of disassembly.

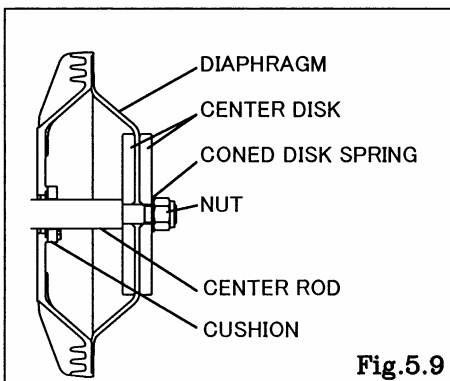


Fig. 5.9

- Apply assembly grease to the center rod, and insert it into the main body.
- Insert the cushion (except with the NDP-80). (cf. Fig.5.9)
- Keep the marking "OUTSIDE" to liquid end for CR, NBR, EPDM, FKM diaphragms.  
Keep the convex side to the outside for TPEE, TPO diaphragms.
- Tighten the center disk using the PP wrench(special tool: Part No.771868) for the BP\_, BV\_ types. Apply proper Thread locker to the thread of center disk.  
(No coned disk springs and nuts are needed.)

### Tightening torque for center rod

|            |                    |
|------------|--------------------|
| BA, BS, BF | 43 ft-lbf {60 N-m} |
| BP, BV     | 36 ft-lbf {50 N-m} |

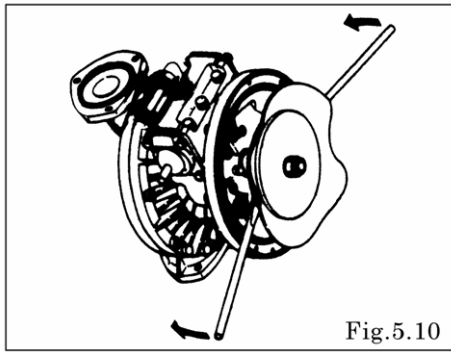


Fig.5.10

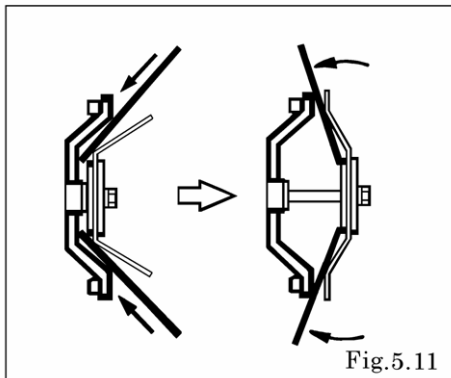


Fig.5.11

- Draw the center disk to one side (exclude B\_H, B\_S type cf. Fig. 5.9).
- And install the out chamber. Tighten the bolts temporarily.
- Grip the inside center disk using crowbars and draw it to the opposite side, then turn the diaphragm over. (exclude B\_H, B\_S type) [Fig. 5.10, 5.11]
- And install the out chamber. Tighten the bolts temporarily.
- After installation of the out chambers on both sides, place the pump on a flat surface and stand the pump upright for further assembly.

Tightening torque for out chamber.

|               |                    |
|---------------|--------------------|
| BA_, BS_, BF_ | 29 ft-lbf {40 N-m} |
| BP_, BV_      | 26 ft-lbf {35 N-m} |

<NOTE>

- Make sure there is no dust on the seal surface in order to prevent seal damaged.
- Be careful not to damage the R portion of the air chamber using a crowbar, etc.
- Tighten the bolts gradually in a diagonal sequence with even torque. (cf. Fig. 5.12)

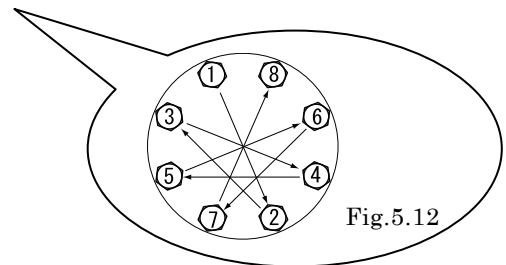


Fig.5.12

## ■ B\_T type

For installation, see [Exploded View] on the separate sheet and install in the reverse order of disassembly.

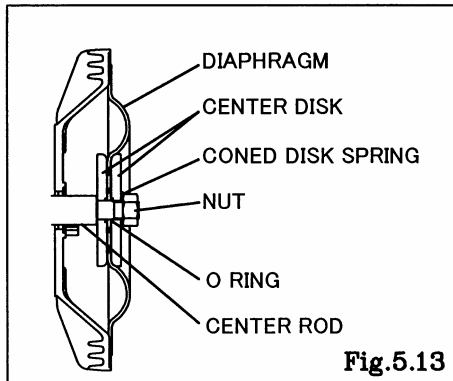


Fig.5.13

- Apply assembly grease to the center rod, and insert it into the main body.
- Keep the convex side to the outside (cf. Fig. 5.13).
- Put the O rings to both sides of the diaphragm. (cf. Fig. 5.13)
- Tighten the center disk using the PP wrench (special tool: Part No. 771868) for the BPT, BVT type. Apply proper Thread locker to the thread of center disk. (No coned disk springs and nuts are needed.)

Tightening torque for center rod

|               |                    |
|---------------|--------------------|
| BAT, BST, BFT | 43 ft-lbf {60 N-m} |
| BPT, BVT      | 36 ft-lbf {50 N-m} |

- Tighten the out chamber temporarily at first. After installation of the out chambers on both sides, place the pump on a flat surface and stand the pump upright for further assembly.

Tightening torque for out chamber

|               |                    |
|---------------|--------------------|
| BAT, BST, BFT | 29 ft-lbf {40 N-m} |
| BPT, BVT      | 26 ft-lbf {35 N-m} |

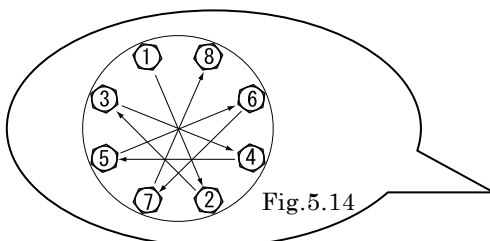


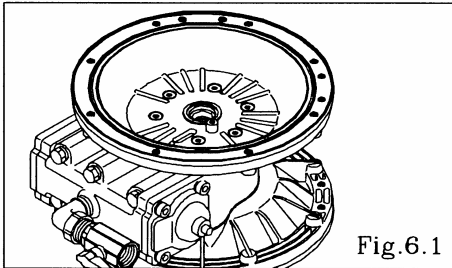
Fig.5.14

<NOTE>

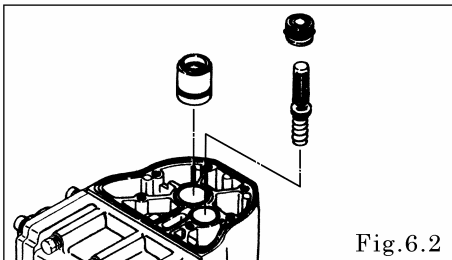
- Make sure there is no dust on the seal surface in order to prevent seal damaged.
- Replace the PTFE O ring by new one.
- Tighten the bolts gradually in a diagonal sequence with even torque. (cf. Fig. 5.14)

## 6. Throat bearing and Pilot valve

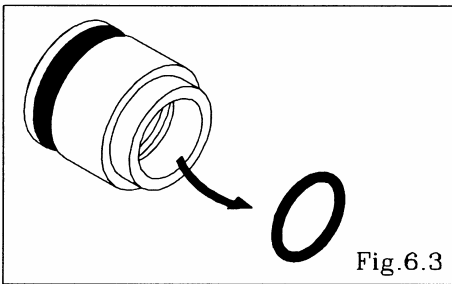
### 6.1 Removal



- Remove the diaphragm and center rod (see [5.1 Removal]).
- Remove the 12 retainer bolts from the air chamber, and remove the air chamber. [Fig.6.1]

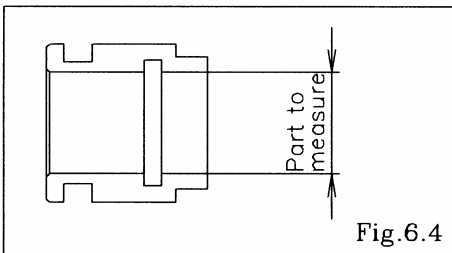


- Draw out the pilot valve and valve seat. [Fig.6.2]
- Draw out the throat bearing. [Fig.6.2]



- Remove the packing from the throat bearing. [Fig.6.3]

### 6.2 Inspection



- Throat bearing [Fig.6.4]  
Measure the inside diameter, and if it is outside the usable range, replace the throat bearing

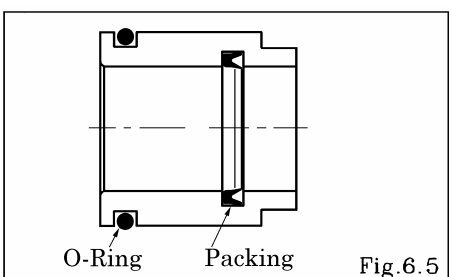
#### Usable range of throat bearing

$\varnothing 0.9859 \sim \varnothing 0.9894$  in { $\varnothing 25.04 \sim \varnothing 25.13$  mm}

- O ring, Packing  
If the O ring is worn out or cracked, replace it.
- Pilot valve  
If the pilot valve is worn out or cracked, replace it.

### 6.3 Installation

For installation, see [Exploded View] on the separate sheet and install in the reverse order of disassembly.



#### Tightening torque for air chamber retainer bolts

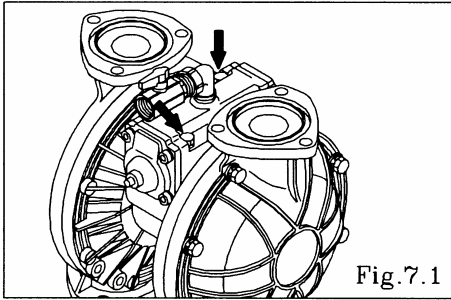
15 ft-lbf {20 N-m}

<NOTE>

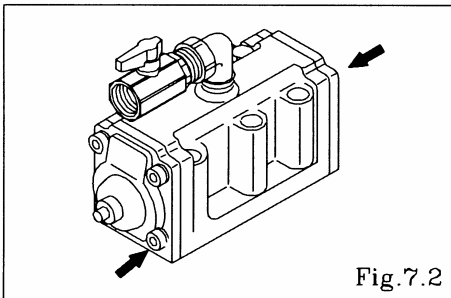
- Make sure there is no dust on the seal surface and the seal is not damaged.
- Apply grease to packing.

## 7. C spool valve assembly

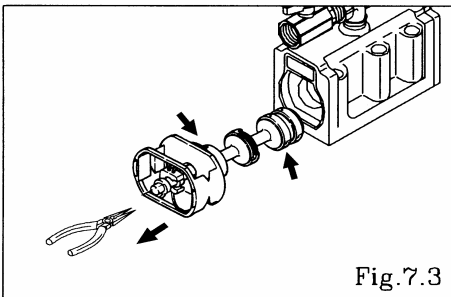
### 7.1 Removal



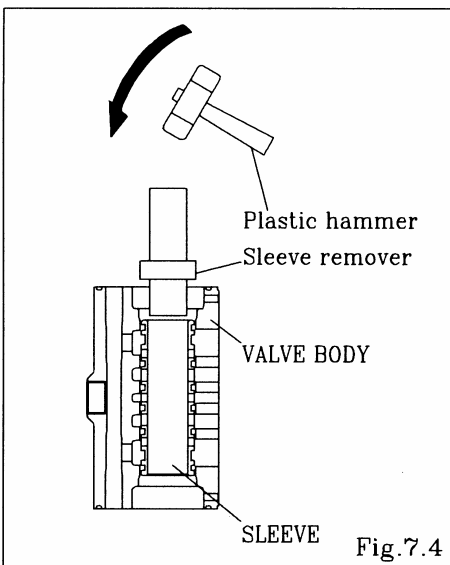
- Remove the out manifold (see [4.1 Removal]).
- Remove the 6 retainer bolts from the valve body, and remove the valve body. [Fig.7.1]



- Remove the 8 cap A and cap B retainer bolts, and remove cap A and cap B. [Fig.7.2]

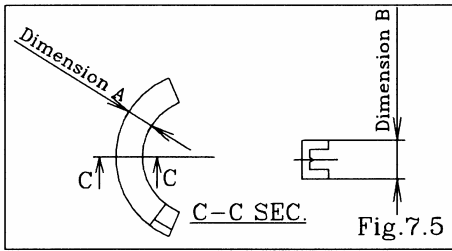


- Draw out the C spool valve assembly, and remove the seal ring from the C spool valve assembly.
- Remove the spring stopper. [Fig.7.3]



- Remove the sleeve using the sleeve remover (special tool: Part number 713180). [Fig.7.4]

## 7.2 Inspection



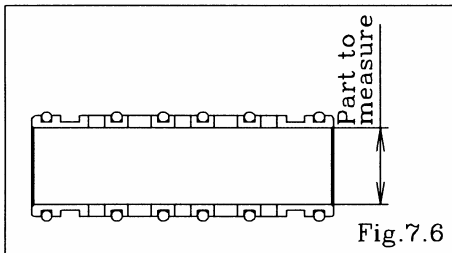
### • C Spool Valve Assembly

#### Seal ring [Fig.7.5]

Measure dimensions A and B, and if there is sufficient wear to require replacement, replace the c spool valve assembly.

If the seal ring is worn out or cracked, replace c spool valve assembly.

|             |                               |
|-------------|-------------------------------|
| Dimension A | More than 0.1988 in {5.05 mm} |
| Dimension B | More than 0.2874 in {7.30 mm} |



### • Sleeve Assembly [Fig.7.6]

Measure the inside diameter, and if it is outside the usable range, replace the c spool valve assembly.

|  |
|--|
| Usable range of sleeve   |
| $\varnothing 1.305 \sim \varnothing 1.313$ in { $\varnothing 33.15 \sim \varnothing 33.35$ mm} |

### • O ring

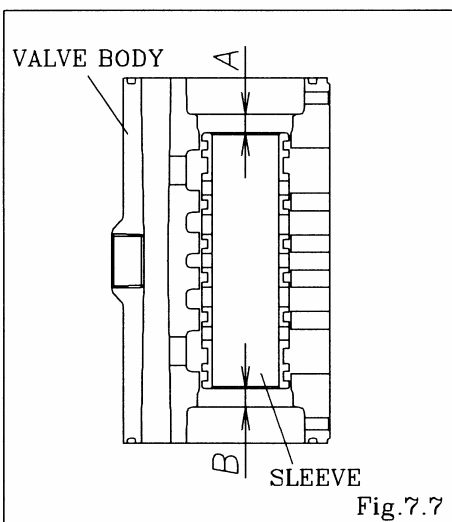
If the O ring is worn out or cracked, replace it.

### <NOTE>

- C Spool Valve Assembly must be replaced as a complete set. Unable to replace individual component.

## 7.3 Installation

For installation, see [Exploded View] on the separate sheet and install in the reverse order of disassembly.



- Install the sleeve using the sleeve remover (special tool: Part No. 713180). At this point, apply assembly oil around the sleeve and O ring.

- Install the sleeve at the center of the valve body.

(A = B)

|   |
|---|
| Tightening torque for installation cap A, cap B |
| 8 ft-lbf {10 N-m}                               |

|   |
|---|
| Tightening torque for valve body installation bolts |
| 12 ft-lbf {17 N-m}                                  |

### <NOTE>

- Make sure there is no dust on the seal surface and it is not damaged.

## 8. Retightening of Tie rods

### ■ Plastic type

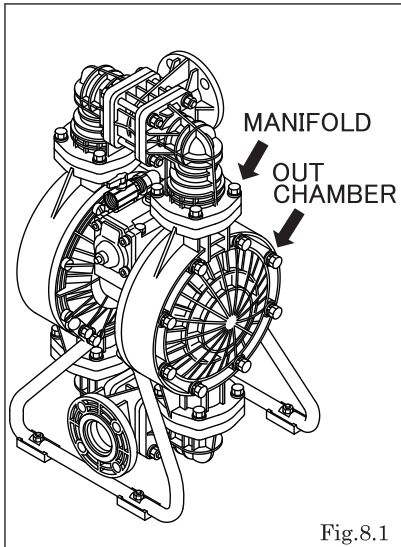


Fig.8.1

- All bolts should be retorqued:
  - (1) Right before start up.
  - (2) There are any leaks of material on daily inspecting a pump.

|              |     | Retain bolts for the out chamber | Retain bolts for the manifold |
|--------------|-----|----------------------------------|-------------------------------|
| NDP-40.50.80 | BP_ | 26 ft-lbf {35 N-m}               | 15 ft-lbf {20 N-m}            |
| NDP-40.50    | BV_ |                                  |                               |

<NOTE>

- Retighten the Out chamber and then the manifold in this order. [Fig.8.1]
- Tighten the bolts in the order shown. [Fig.8.2]

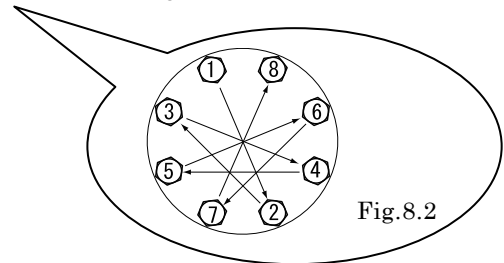


Fig.8.2

### ■ Metal type

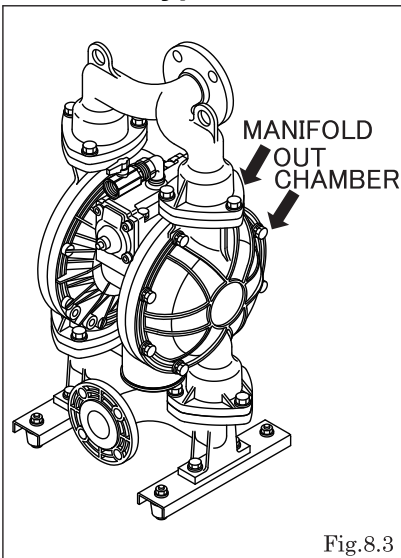


Fig.8.3

- All bolts should be retorqued:
  - (1) Right before start up.
  - (2) There are any leaks of material on daily inspecting a pump.

|              |   | Retain bolts for the out chamber | Retain bolts for the manifold |
|--------------|---|----------------------------------|-------------------------------|
| NDP-40.50.80 | B_C, B_N<br>B_E, B_V<br>B_T, B_H<br>B_S | 29 ft-lbf {40 N-m}               | 15 ft-lbf {20 N-m}            |

<NOTE>

- Retighten the Out chamber and then the manifold in this order. [Fig.8.3]
- Tighten the bolts in the order shown. [Fig.8.4]

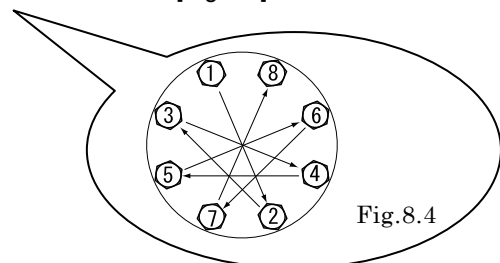


Fig.8.4

## **YAMADA AMERICA, INC**

955 E. ALGONQUIN RD., ARLINGTON HEIGHTS, IL 60005, USA  
PHONE: 1-847-631-9200 or 1-800-990-7867 (Toll Free)      FAX : 1-847-631-9273  
[www.yamadapump.com](http://www.yamadapump.com)

**Manufactured by:**

## **YAMADA CORPORATION**

International Department  
1-1-3 CHOME, MINAMI MAGOME, OHTA-KU, TOKYO, 143-8504, JAPAN  
PHONE : +81-(0)3-3777-0241      FAX : +81-(0)3-3777-0584