

ELECTRONIC PRICING CATALOG NAVIGATION INSTRUCTIONS



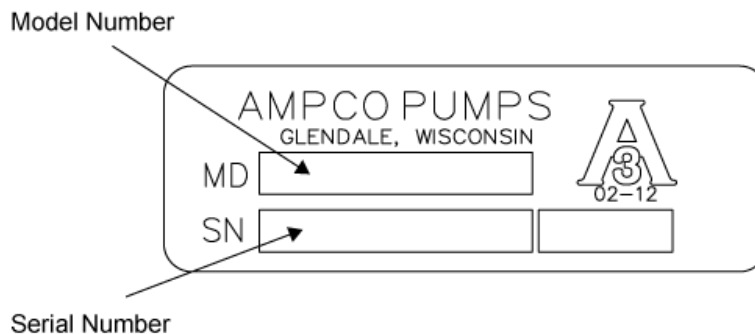
Questions? Call **1-800-810-1053**

Select by Pump Model:

If you know what pump you are looking for, you can use the 'Bookmarks' tab on the left and select the pump model which you are trying to access. Clicking in the Bookmark will take you to the page you are looking for.

If there are no tabs on the left (bookmarks, signatures, layers, pages), you can use the top menu to make them appear. Goto VIEW > SHOW/HIDE > NAVIGATION PANES > BOOKMARKS and they will appear.

Sample Pump ID Tag: See the illustration below for help identifying the location of the Model number and Serial number on the pump ID tag.



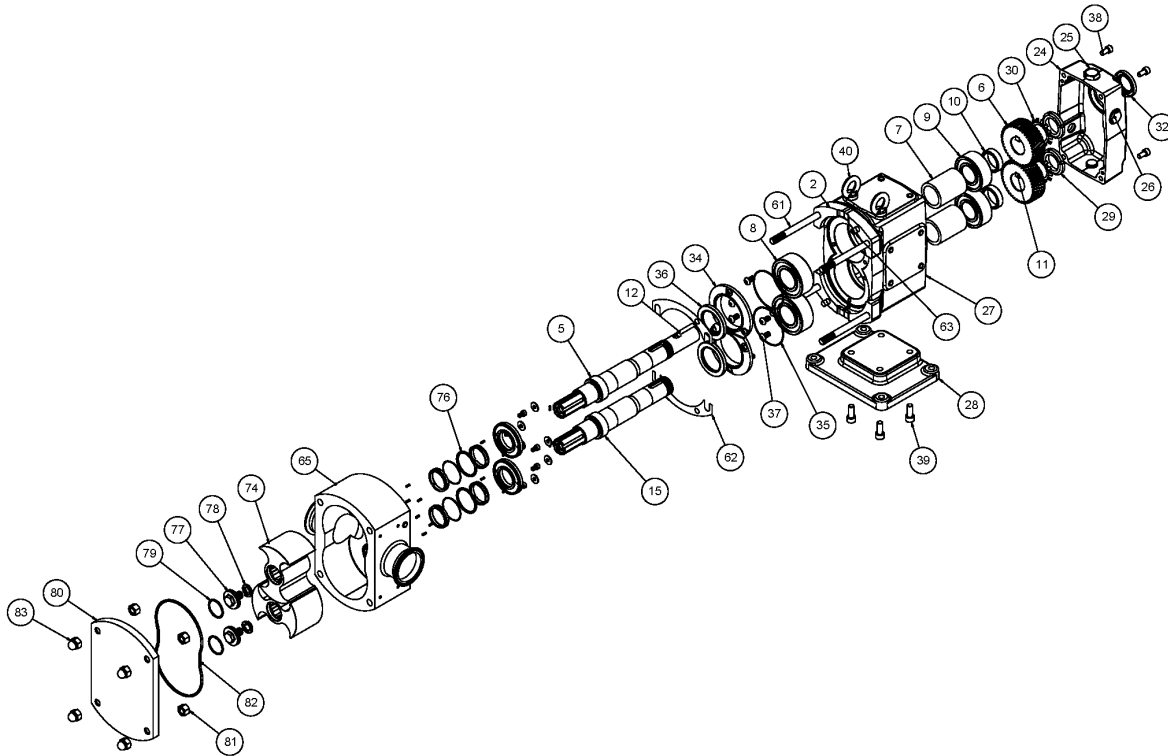
Please reference your serial number when ordering replacement parts.

Select by Part Number:

If you know an exact part number you are looking for, simply hit CONTROL+F and that will bring up the find feature. You may also use the menu, goto EDIT > FIND to bring up the same feature.

Type in your part number and it will show you all instances of that item in the catalog. If you only know some of the part number (i.e. SP328), that will also help and show all occurrences of those numbers together.

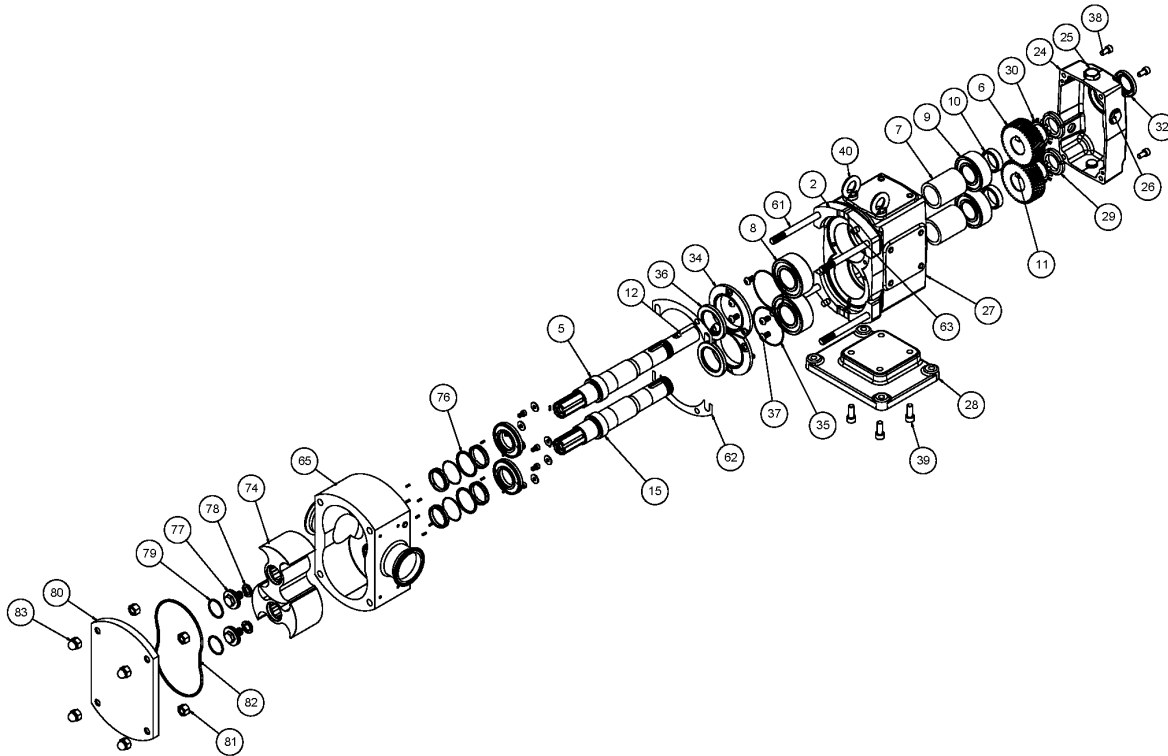
Be advised that partials of part number can return a large amount of results.



Exploded View

Optional Items Shown in ITALICS

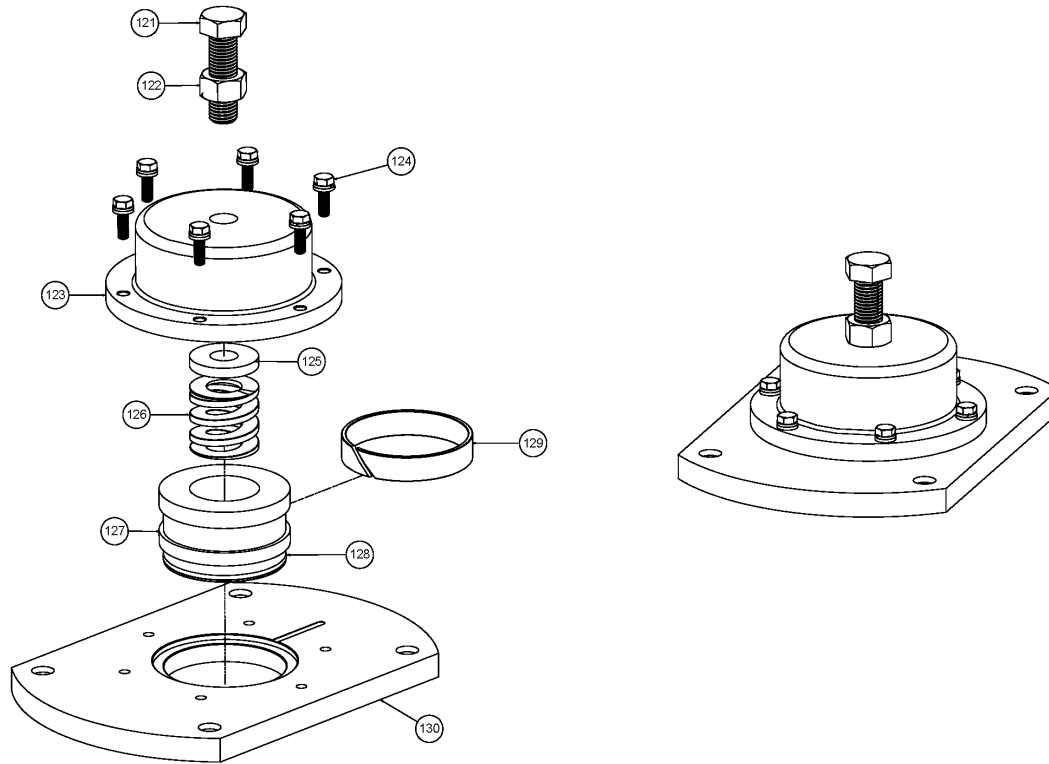
Ref #	Component Item No.	Description	Qty Per
2	AL10-GB03-SS	GEAR BOX - SS	1
5	AL10-SF01-SS	DRIVE SHAFT - AL05/10/15	1
6	AL10-HG01-CS	HELICAL GEAR - LEFT HAND	1
	AL10-HG02-CS	HELICAL GEAR - RIGHT HAND	1
7	AL10-BS01-CS	BEARING SPACER	2
8	AL10-BE01-CC	FRONT BEARING	2
9	AL10-BE02-CS	REAR BEARING	2
10	AL10-GS01-CS	GEAR SPACER	2
11	AL10-GK01-CS	GEAR KEY 8x7x17	2
12	AL10-SK02-CS	SHAFT KEY - 6x6x30	1
13	AL00-PN02-SS	SET PIN FOR DOUBLE SEAL	6
15	AL10-SF02-SS	SHORT SHAFT - AL05/10/15	1
24	AL10-GB04-SS	GEAR BOX COVER - SS	1
25	P1GX115798	HEX PLUG WITH NBR SEAL	2
26	P1GX115799	OIL LEVEL INDICATOR	2
27	AL10-PN05-SS	DOWEL FOR GEAR BOX	2
28	AL10-GB05-SS	GEAR BOX BASE - SS	1
29	AL10-LN01-CS	LOCK NUT	2
30	AL10-LW01-CS	LOCK WASHER	2
32	AL10-OS02-L3	REAR OIL SEAL - NBR	1
34	AL10-OS01-SS	OIL SEAL GLAND	2
35	N70035	O-RING FOR OIL SEAL GLAND - NBR	2
36	AL10-OS01-L3	FRONT OIL SEAL - NBR	2
37	AL10-BT01-SS	CAP SCREW FOR OIL SEAL GLAND	6
38	AL10-BT02-SS	CAP SCREW FOR GEAR BOX COVER	4
39	AL10-BT03-SS	CAP SCREW FOR GEAR BASE	4
40	AL10-BT04-SS	EYEBOLT	2



Exploded View

Optional Items Shown in ITALICS

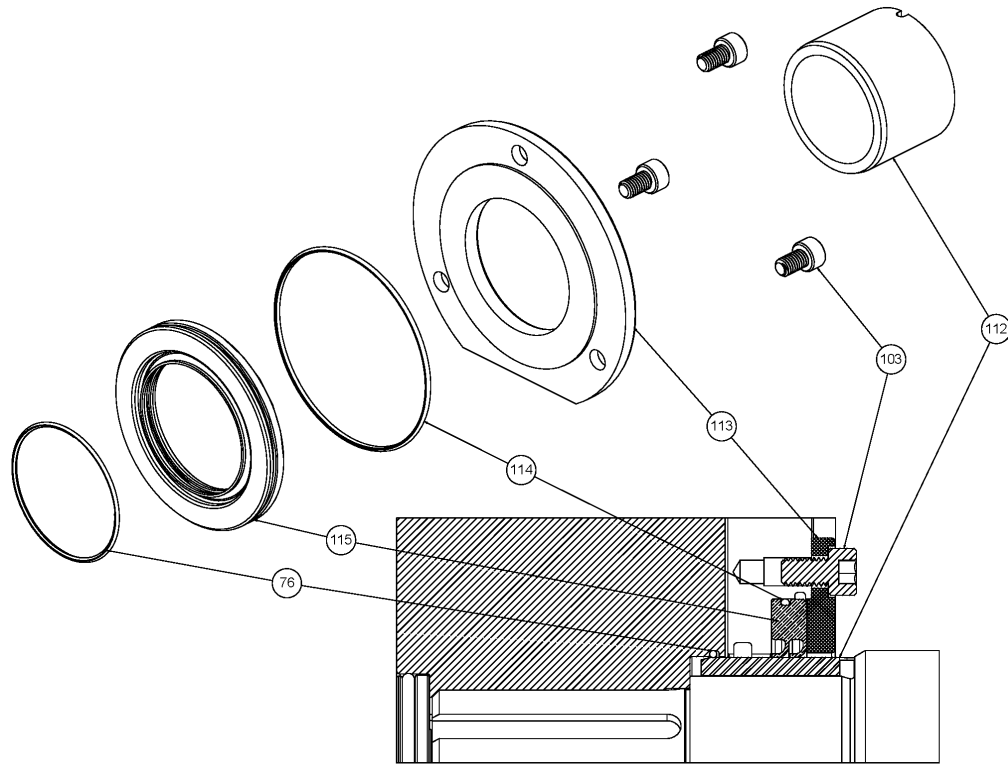
Ref #	Component Item No.	Description	Qty Per
61	AL10-SB00-SS	CASE STUD BOLT - AL05/10	4
62	AL10-SP01-SS-02	SHIM - 0.002" THICKNESS - AL100 SERIES	2
	AL10-SP01-SS-04	SHIM - 0.004" THICKNESS - AL100 SERIES	2
63	AL10-PN04-SS	DOWEL FOR CASE	2
65	AL10-RC02-SS	ROTOR CASE - AL05	1
74	AL10-RT01-SS-1	ROTOR MULTI-LOBE (TOP) - AL05	1
	<i>AL10-RT01-SS-2</i>	<i>ROTOR MULTI-LOBE (SIDE) - AL05</i>	<i>1</i>
76	E70028	O-RING FOR ROTOR - EPDM	2
	<i>V70028</i>	<i>O-RING FOR ROTOR - VITON</i>	<i>2</i>
77	AL10-RB02-SS	ROTOR BOLT - (SLOTTED)	2
78	AL10-SW01-SS	SPRING WASHER FOR ROTOR BOLT	2
79	E70021	O-RING FOR ROTOR BOLT - EPDM	2
	<i>V70021</i>	<i>O-RING FOR ROTOR BOLT - VITON</i>	<i>2</i>
80	AL10-FC00-SS	FRONT COVER - AL05	1
81	AL10-HN01-SS	HEX NUT/STUD BOLT LOCK	4
82	E70246	O-RING FOR FRONT COVER - AL05 - EPDM	1
	<i>V70246</i>	<i>O-RING FOR FRONT COVER - AL05 - VITON</i>	<i>1</i>
83	AL10-CN01-SS	CAP NUT	4



Pressure Relief Cover

Optional Items Shown in ITALICS

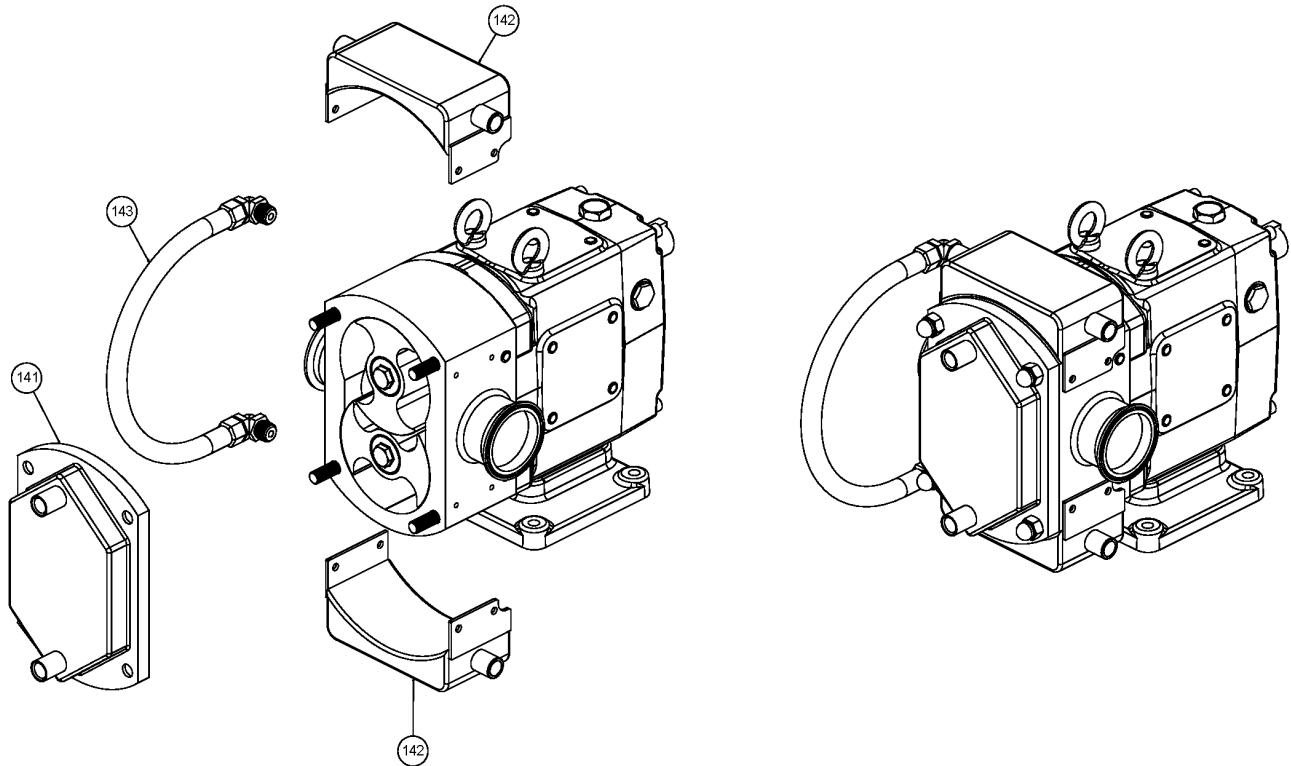
Ref #	Component Item No.	Description	Qty Per
121	GX5515150	ADJUSTING BOLT	1
122	GX5515000	LOCK NUT	1
123	AL10-RH01-SS	HOUSING FOR RELIEF VALVE	1
124	GX5512010	LOCK WASHER	4
	GX5512105	BOLT, HEX HEAD	4
125	AL10-RP02-SS	PISTON FOR ADJUSTING	1
126	AL10-RS03-CS	SPRING	1
127	AL10-RV02-SS	VALVE HEAD	1
128	E70136	O-RING - EPDM	1
	V70136	O-RING - VITON	1
129	E70115	O-RING - EPDM	1
	V70115	O-RING - VITON	1
130	AL10-FC09-SS	FRONT COVER FOR RELIEF VALVE - AL05	1



Lip Seal

Optional Items Shown in ITALICS

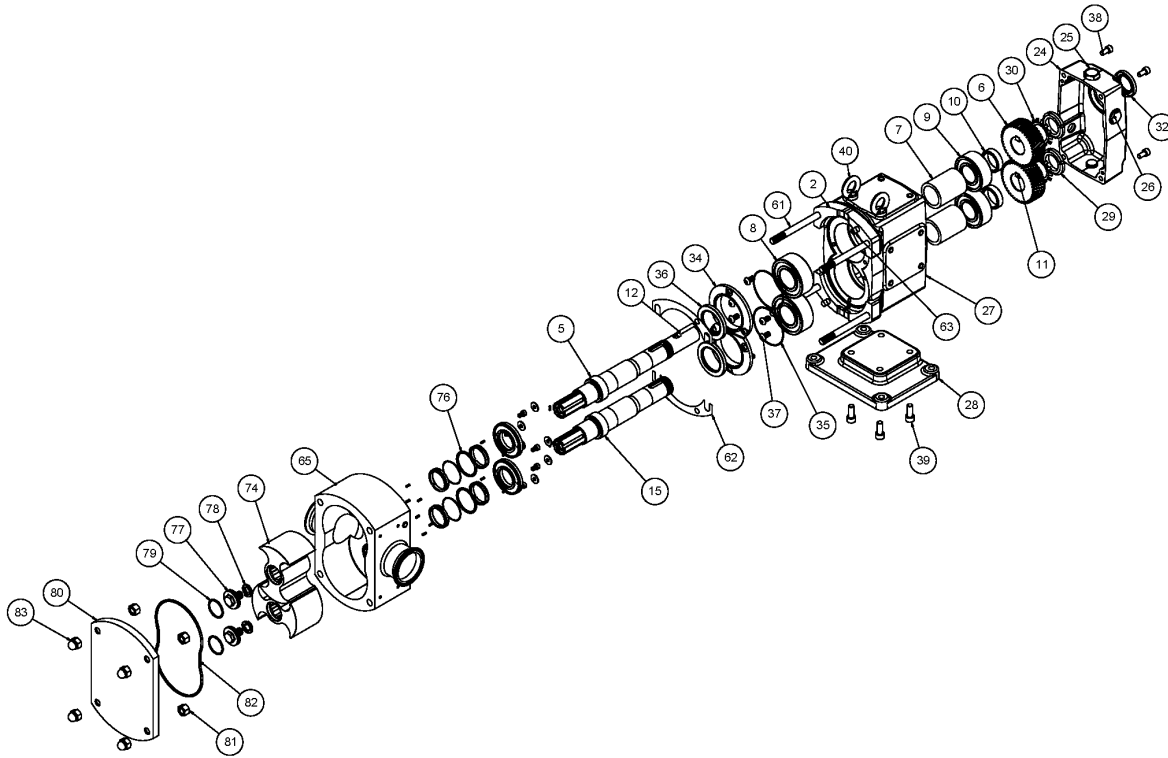
Ref #	Component Item No.	Description	Qty Per
76	E70028	O-RING FOR ROTOR - EPDM	2
	<i>V70028</i>	<i>O-RING FOR ROTOR - VITON</i>	<i>2</i>
103	AL00-BT01-SS	CAP SCREW FOR SEAL RETAINER	4
112	AL10-SE08-SS	SLEEVE, CHROME OXIDE COATED	2
113	AL10-SE05-S3	SS GLAND FOR DOUBLE LIP SEAL FOR PRODUCT	2
	<i>AL10-SE06-S3</i>	<i>SS GLAND FOR TRIPLE LIP SEAL FOR PRODUCT</i>	<i>2</i>
114	<i>V70139</i>	<i>O-RING, DOUBLE LIP SEAL - VITON</i>	<i>2</i>
115	AL10-SE05-S2	DOUBLE LIP SEAL FOR PRODUCT - TEFLON	2
	<i>AL10-SE06-S2</i>	<i>TRIPLE LIP SEAL FOR PRODUCT - TEFLON</i>	<i>2</i>



Heating Jackets

Optional Items Shown in ITALICS

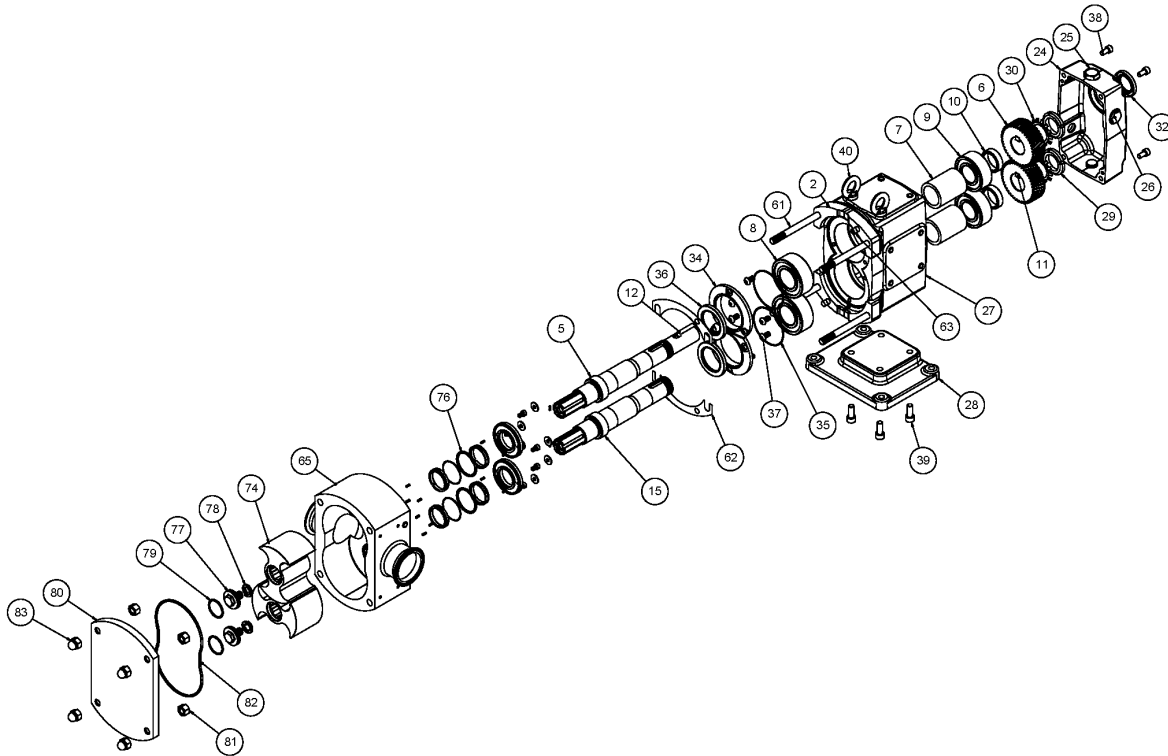
Ref #	Component Item No.	Description	Qty Per
141	AL10-FC08-SS	FRONT COVER WITH JACKET - AL05	1
142	AL10-HJ02-SS	CASE HEATING JACKET FOR BODY BOTTOM - AL05/10/15	1
	AL10-HJ01-SS	CASE HEATING JACKET FOR BODY TOP - AL05/10/15	1
143	AL10-HJ03-SS	CASE HEATING JACKET FOR TUBE ASS'Y - AL10	1



Exploded View

Optional Items Shown in ITALICS

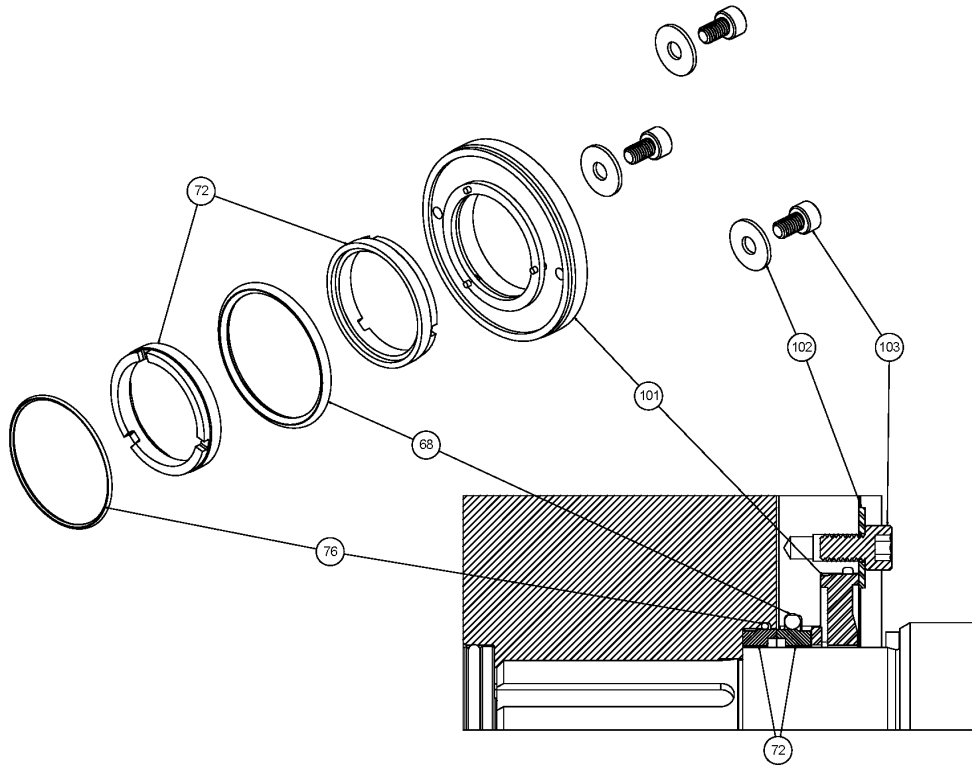
Ref #	Component Item No.	Description	Qty Per
2	AL10-GB03-SS	GEAR BOX - SS	1
5	AL10-SF01-SS	DRIVE SHAFT - AL05/10/15	1
6	AL10-HG02-CS	HELICAL GEAR - RIGHT HAND	1
	AL10-HG01-CS	HELICAL GEAR - LEFT HAND	1
7	AL10-BS01-CS	BEARING SPACER	2
8	AL10-BE01-CC	FRONT BEARING	2
9	AL10-BE02-CS	REAR BEARING	2
10	AL10-GS01-CS	GEAR SPACER	2
11	AL10-GK01-CS	GEAR KEY 8x7x17	2
12	AL10-SK02-CS	SHAFT KEY - 6x6x30	1
13	AL00-PN02-SS	SET PIN FOR DOUBLE SEAL	6
15	AL10-SF02-SS	SHORT SHAFT - AL05/10/15	1
24	AL10-GB04-SS	GEAR BOX COVER - SS	1
25	P1GX115798	HEX PLUG WITH NBR SEAL	2
26	P1GX115799	OIL LEVEL INDICATOR	2
27	AL10-PN05-SS	DOWEL FOR GEAR BOX	2
28	AL10-GB05-SS	GEAR BOX BASE - SS	1
29	AL10-LN01-CS	LOCK NUT	2
30	AL10-LW01-CS	LOCK WASHER	2
32	AL10-OS02-L3	REAR OIL SEAL - NBR	1
34	AL10-OS01-SS	OIL SEAL GLAND	2
35	N70035	O-RING FOR OIL SEAL GLAND - NBR	2
36	AL10-OS01-L3	FRONT OIL SEAL - NBR	2
37	AL10-BT01-SS	CAP SCREW FOR OIL SEAL GLAND	6
38	AL10-BT02-SS	CAP SCREW FOR GEAR BOX COVER	4
39	AL10-BT03-SS	CAP SCREW FOR GEAR BASE	4
40	AL10-BT04-SS	EYEBOLT	2



Exploded View

Optional Items Shown in ITALICS

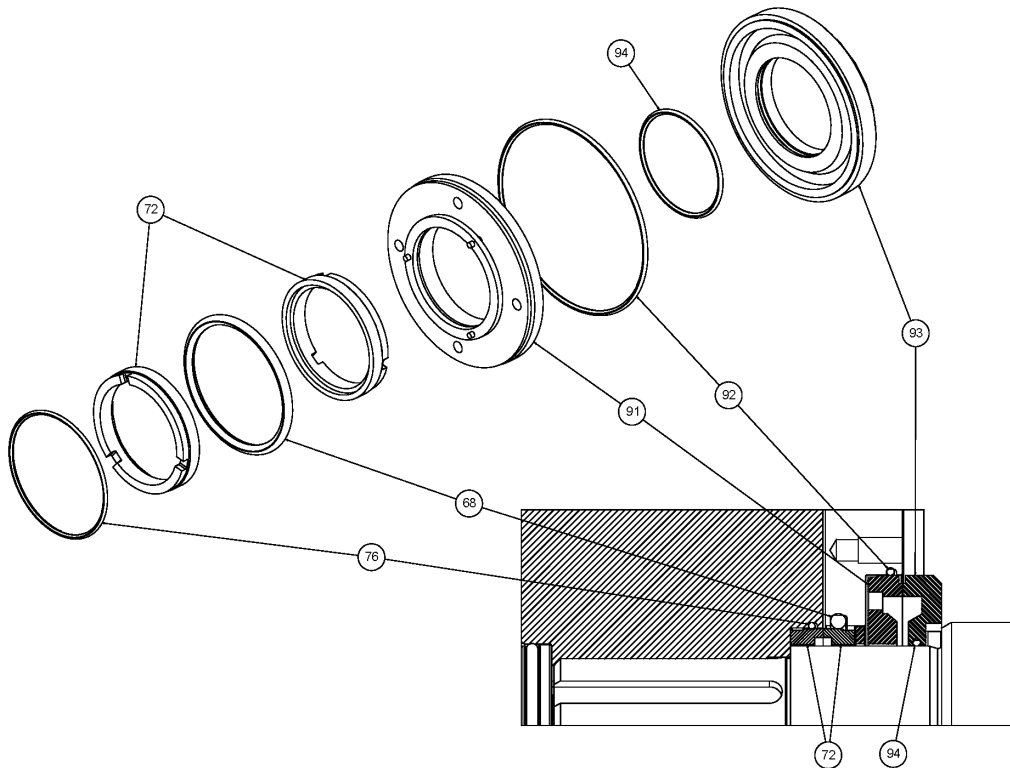
Ref #	Component Item No.	Description	Qty Per
61	AL10-SB00-SS	CASE STUD BOLT - AL05/10	4
62	AL10-SP01-SS-02	SHIM - 0.002" THICKNESS - AL100 SERIES	2
	AL10-SP01-SS-04	SHIM - 0.004" THICKNESS - AL100 SERIES	2
63	AL10-PN04-SS	DOWEL FOR CASE	2
65	AL10-RC02-SS	ROTOR CASE - AL05	1
74	AL10-RT01-SS-1	ROTOR MULTI-LOBE (TOP) - AL05	1
	<i>AL10-RT01-SS-2</i>	<i>ROTOR MULTI-LOBE (SIDE) - AL05</i>	<i>1</i>
76	E70028	O-RING FOR ROTOR - EPDM	2
	<i>V70028</i>	<i>O-RING FOR ROTOR - VITON</i>	<i>2</i>
77	AL10-RB02-SS	ROTOR BOLT - (SLOTTED)	2
78	AL10-SW01-SS	SPRING WASHER FOR ROTOR BOLT	2
79	E70021	O-RING FOR ROTOR BOLT - EPDM	2
	<i>V70021</i>	<i>O-RING FOR ROTOR BOLT - VITON</i>	<i>2</i>
80	AL10-FC00-SS	FRONT COVER - AL05	1
81	AL10-HN01-SS	HEX NUT/STUD BOLT LOCK	4
82	E70246	O-RING FOR FRONT COVER - AL05 - EPDM	1
	<i>V70246</i>	<i>O-RING FOR FRONT COVER - AL05 - VITON</i>	<i>1</i>
83	AL10-CN01-SS	CAP NUT	4



Single Mechanical Seal

Optional Items Shown in ITALICS

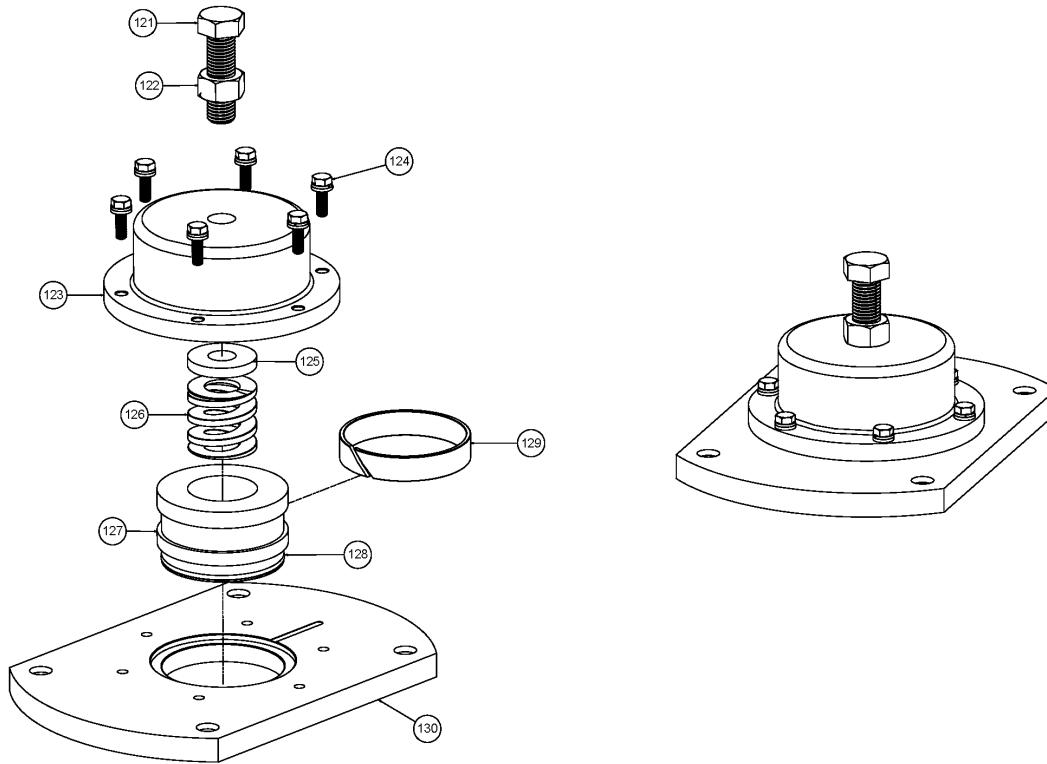
Ref #	Component Item No.	Description	Qty Per
68	E70220	O-RING FOR ROTOR CASE - EPDM	2
	<i>V70220</i>	<i>O-RING FOR ROTOR CASE - VITON</i>	<i>2</i>
72	AL10-SE06-SS	SEAL/MECHANICAL SEAL RING - TC	4
	<i>AL10-SE07-SS</i>	<i>SEAL/MECHANICAL SEAL RING - SC</i>	<i>4</i>
76	E70028	O-RING FOR ROTOR - EPDM	2
	<i>V70028</i>	<i>O-RING FOR ROTOR - VITON</i>	<i>2</i>
101	AL10-SE01-S3	SEAL/SINGLE MECH SEAL BASE	2
102	AL00-WS01-SS	DIN M6 FENDER WASHER	4
103	AL00-BT01-SS	CAP SCREW FOR SEAL RETAINER	4



Double Mechanical Seal

Optional Items Shown in ITALICS

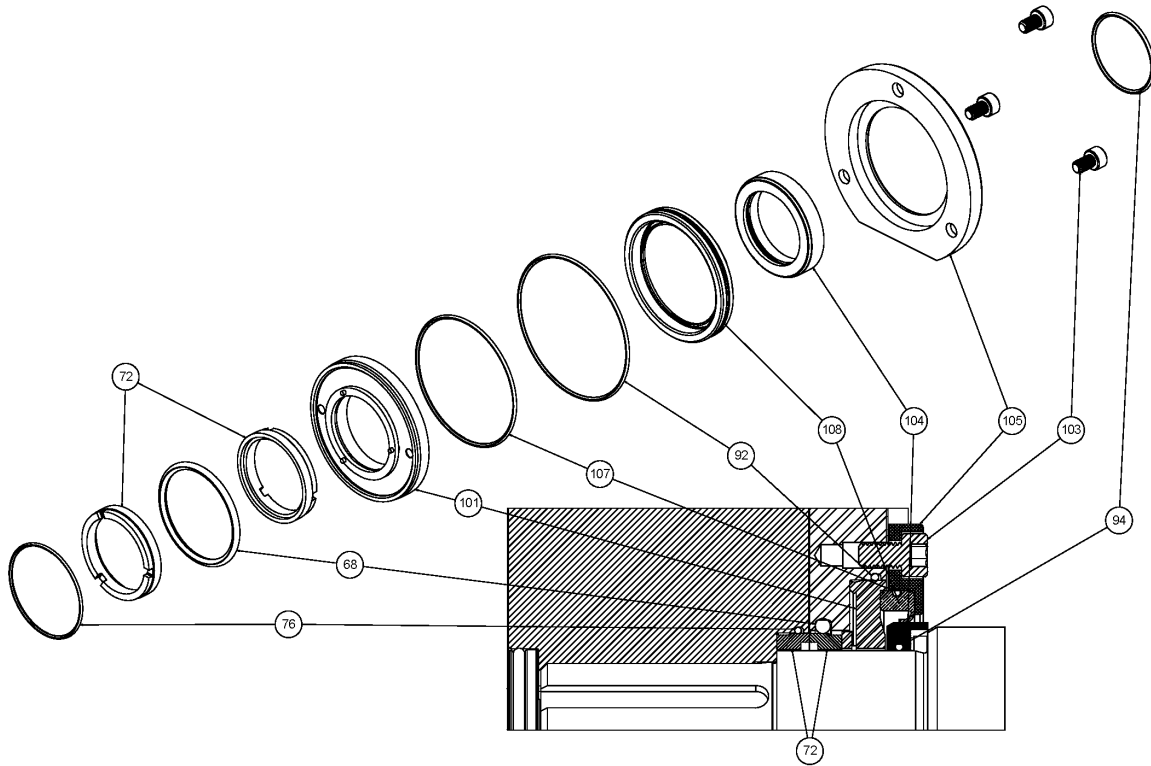
Ref #	Component Item No.	Description	Qty Per
68	E70220	O-RING FOR ROTOR CASE - EPDM	2
	<i>V70220</i>	<i>O-RING FOR ROTOR CASE - VITON</i>	2
72	AL10-SE06-SS	SEAL/MECHANICAL SEAL RING - TC	4
	<i>AL10-SE07-SS</i>	<i>SEAL/MECHANICAL SEAL RING - SC</i>	4
76	E70028	O-RING FOR ROTOR - EPDM	2
	<i>V70028</i>	<i>O-RING FOR ROTOR - VITON</i>	2
91	AL10-SE01-S5	DOUBLE SEAL REAR BASE - SC	2
	<i>AL10-SE01-S6</i>	<i>DOUBLE SEAL REAR BASE - TC</i>	2
92	E70036	O-RING FOR DOUBLE SEAL CASE - EPDM	2
	<i>V70036</i>	<i>O-RING FOR DOUBLE SEAL CASE - VITON</i>	2
93	AL10-SE02-S2	SEAL/FLUSHED SEAL UNIT - SC	2
	<i>AL10-SE02-S1</i>	<i>SEAL/FLUSHED SEAL UNIT - TC</i>	2
94	E70023	O-RING FOR DOUBLE SEAL SHAFT - EPDM	2
	<i>V70023</i>	<i>O-RING FOR DOUBLE SEAL SHAFT - VITON</i>	2



Pressure Relief Cover

Optional Items Shown in ITALICS

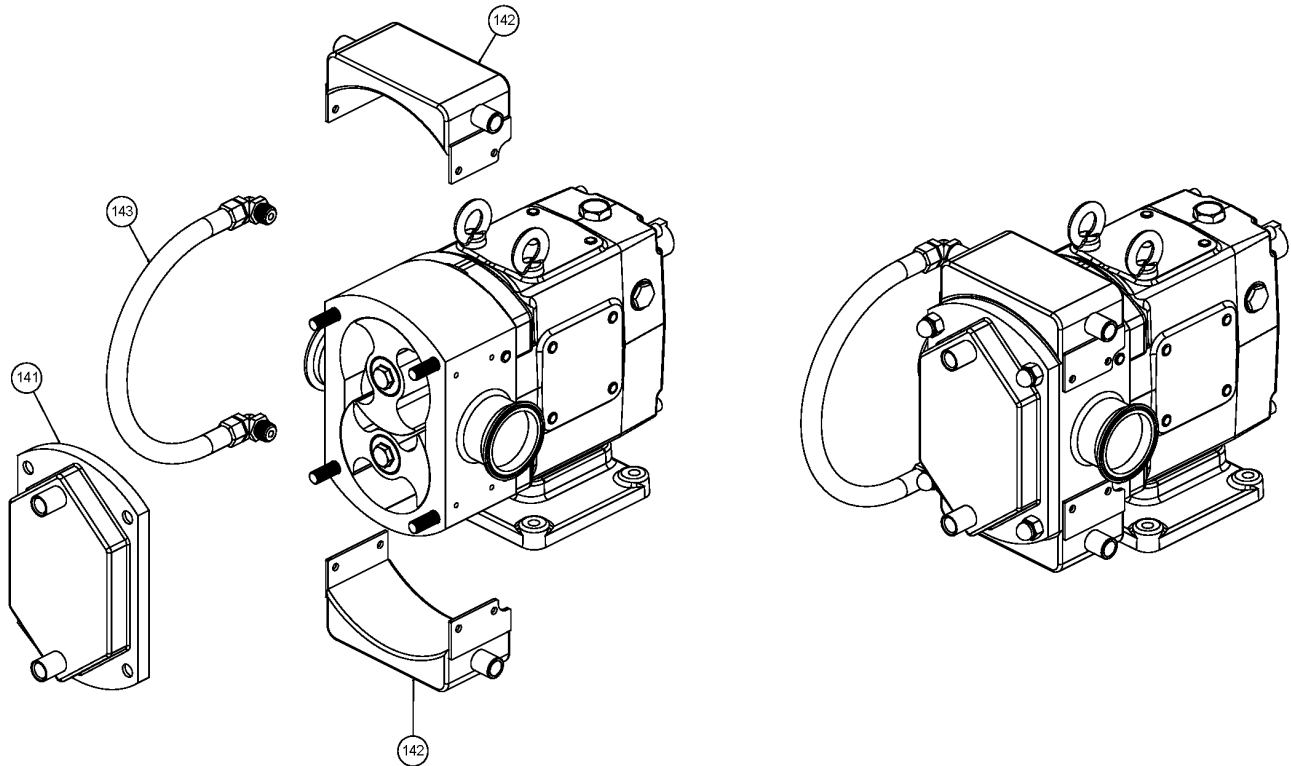
Ref #	Component Item No.	Description	Qty Per
121	GX5515150	ADJUSTING BOLT	1
122	GX5515000	LOCK NUT	1
123	AL10-RH01-SS	HOUSING FOR RELIEF VALVE	1
124	GX5512105	BOLT, HEX HEAD	4
	GX5512010	LOCK WASHER	4
125	AL10-RP02-SS	PISTON FOR ADJUSTING	1
126	AL10-RS03-CS	SPRING	1
127	AL10-RV02-SS	VALVE HEAD	1
128	E70136	O-RING - EPDM	1
	V70136	O-RING - VITON	1
129	E70115	O-RING - EPDM	1
	V70115	O-RING - VITON	1
130	AL10-FC09-SS	FRONT COVER FOR RELIEF VALVE - AL05	1



Single Mechanical Seal with Flush

Optional Items Shown in ITALICS

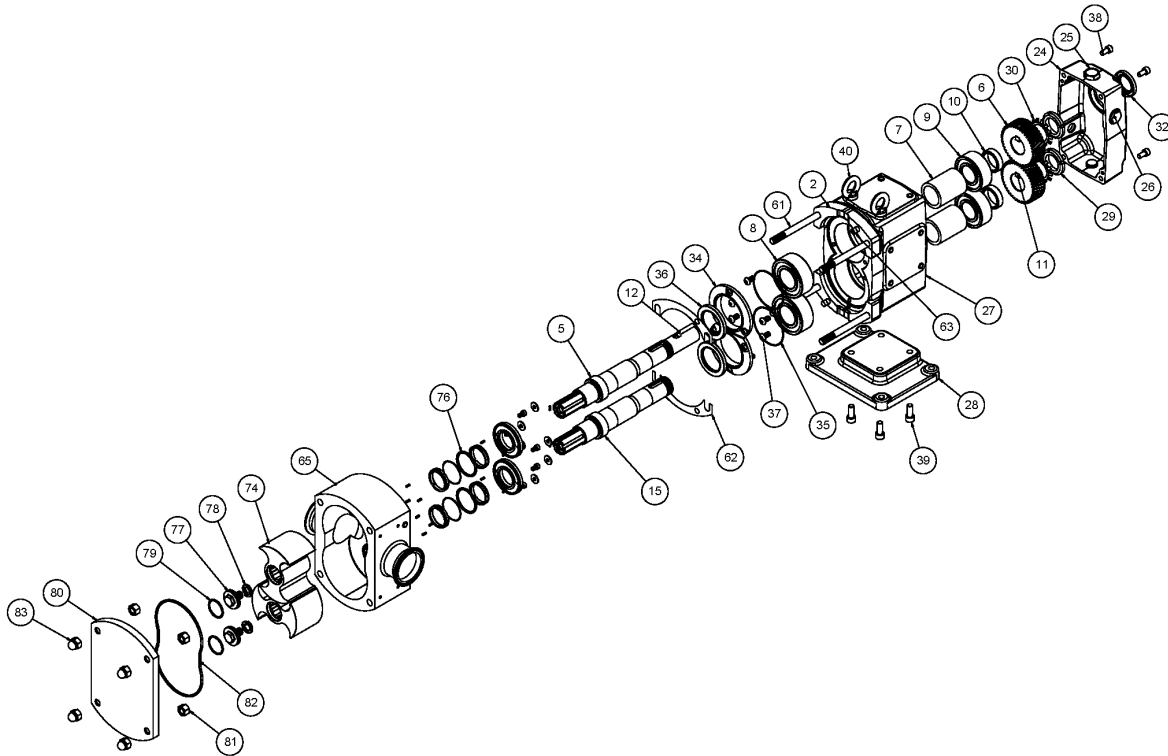
Ref #	Component Item No.	Description	Qty Per
68	E70220	O-RING FOR ROTOR CASE - EPDM	2
	<i>V70220</i>	<i>O-RING FOR ROTOR CASE - VITON</i>	2
72	AL10-SE06-SS	SEAL/MECHANICAL SEAL RING - TC	4
	<i>AL10-SE07-SS</i>	<i>SEAL/MECHANICAL SEAL RING - SC</i>	4
76	E70028	O-RING FOR ROTOR - EPDM	2
	<i>V70028</i>	<i>O-RING FOR ROTOR - VITON</i>	2
92	V70036	O-RING FOR DOUBLE SEAL CASE - VITON	2
	E70036	O-RING FOR DOUBLE SEAL CASE - EPDM	2
94	E70023	O-RING FOR DOUBLE SEAL SHAFT - EPDM	2
	<i>V70023</i>	<i>O-RING FOR DOUBLE SEAL SHAFT - VITON</i>	2
101	AL10-SE01-S3	SEAL/SINGLE MECH SEAL BASE	2
103	AL00-BT01-SS	CAP SCREW FOR SEAL RETAINER	4
104	AL10-FL02-CE	CERMAIC SLEEVE FOR FLUSHING	2
105	AL10-FL03-SS	SS GLAND FOR FLUSHING	2
107	E70033	O-RING FOR FLUSHED LIP - EPDM	2
	<i>V70033</i>	<i>O-RING FOR FLUSHED LIP - VITON</i>	2
108	AL10-FL01-PF	PTFE - LIP SEAL FOR FLUSHING	2



Heating Jackets

Optional Items Shown in ITALICS

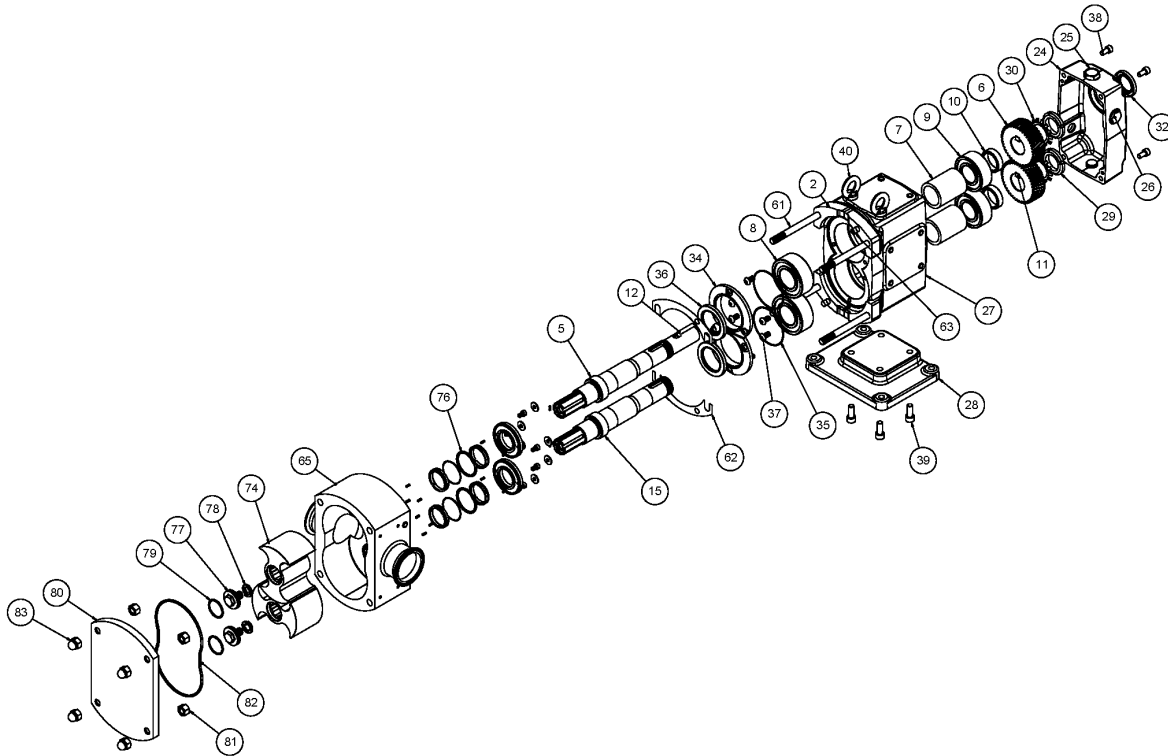
Ref #	Component Item No.	Description	Qty Per
141	AL10-FC08-SS	FRONT COVER WITH JACKET - AL05	1
142	AL10-HJ01-SS	CASE HEATING JACKET FOR BODY TOP - AL05/10/15	1
	AL10-HJ02-SS	CASE HEATING JACKET FOR BODY BOTTOM - AL05/10/15	1
143	AL10-HJ03-SS	CASE HEATING JACKET FOR TUBE ASS'Y - AL10	1



Exploded View

Optional Items Shown in ITALICS

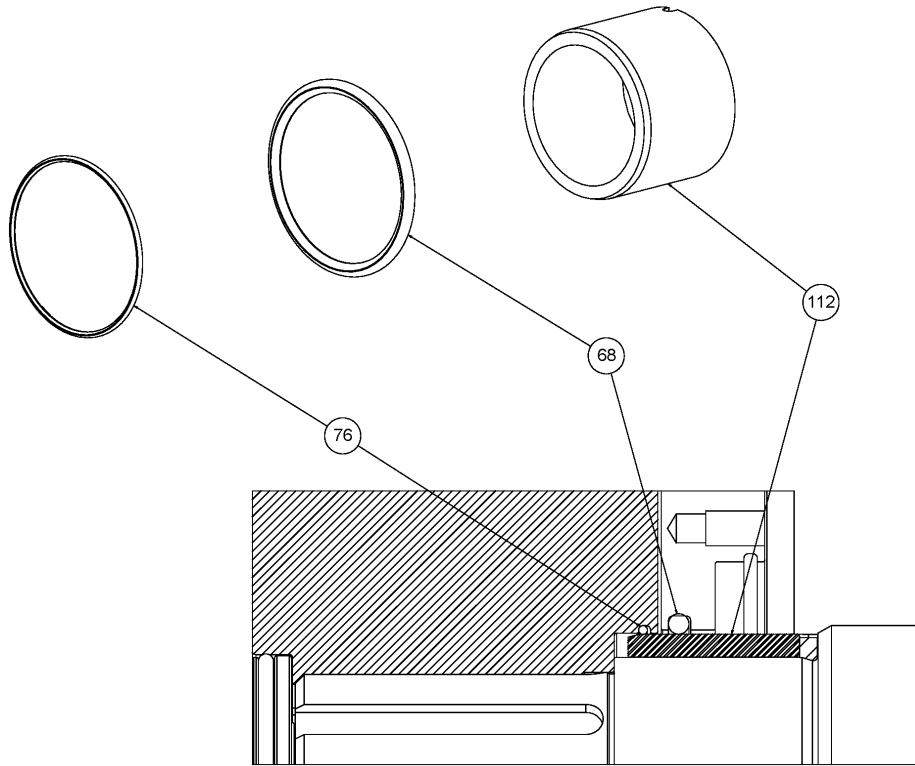
Ref #	Component Item No.	Description	Qty Per
2	AL10-GB03-SS	GEAR BOX - SS	1
5	AL10-SF01-SS	DRIVE SHAFT - AL05/10/15	1
6	AL10-HG02-CS	HELICAL GEAR - RIGHT HAND	1
	AL10-HG01-CS	HELICAL GEAR - LEFT HAND	1
7	AL10-BS01-CS	BEARING SPACER	2
8	AL10-BE01-CC	FRONT BEARING	2
9	AL10-BE02-CS	REAR BEARING	2
10	AL10-GS01-CS	GEAR SPACER	2
11	AL10-GK01-CS	GEAR KEY 8x7x17	2
12	AL10-SK02-CS	SHAFT KEY - 6x6x30	1
13	AL00-PN02-SS	SET PIN FOR DOUBLE SEAL	6
15	AL10-SF02-SS	SHORT SHAFT - AL05/10/15	1
24	AL10-GB04-SS	GEAR BOX COVER - SS	1
25	P1GX115798	HEX PLUG WITH NBR SEAL	2
26	P1GX115799	OIL LEVEL INDICATOR	2
27	AL10-PN05-SS	DOWEL FOR GEAR BOX	2
28	AL10-GB05-SS	GEAR BOX BASE - SS	1
29	AL10-LN01-CS	LOCK NUT	2
30	AL10-LW01-CS	LOCK WASHER	2
32	AL10-OS02-L3	REAR OIL SEAL - NBR	1
34	AL10-OS01-SS	OIL SEAL GLAND	2
35	N70035	O-RING FOR OIL SEAL GLAND - NBR	2
36	AL10-OS01-L3	FRONT OIL SEAL - NBR	2
37	AL10-BT01-SS	CAP SCREW FOR OIL SEAL GLAND	6
38	AL10-BT02-SS	CAP SCREW FOR GEAR BOX COVER	4
39	AL10-BT03-SS	CAP SCREW FOR GEAR BASE	4
40	AL10-BT04-SS	EYEBOLT	2



Exploded View

Optional Items Shown in ITALICS

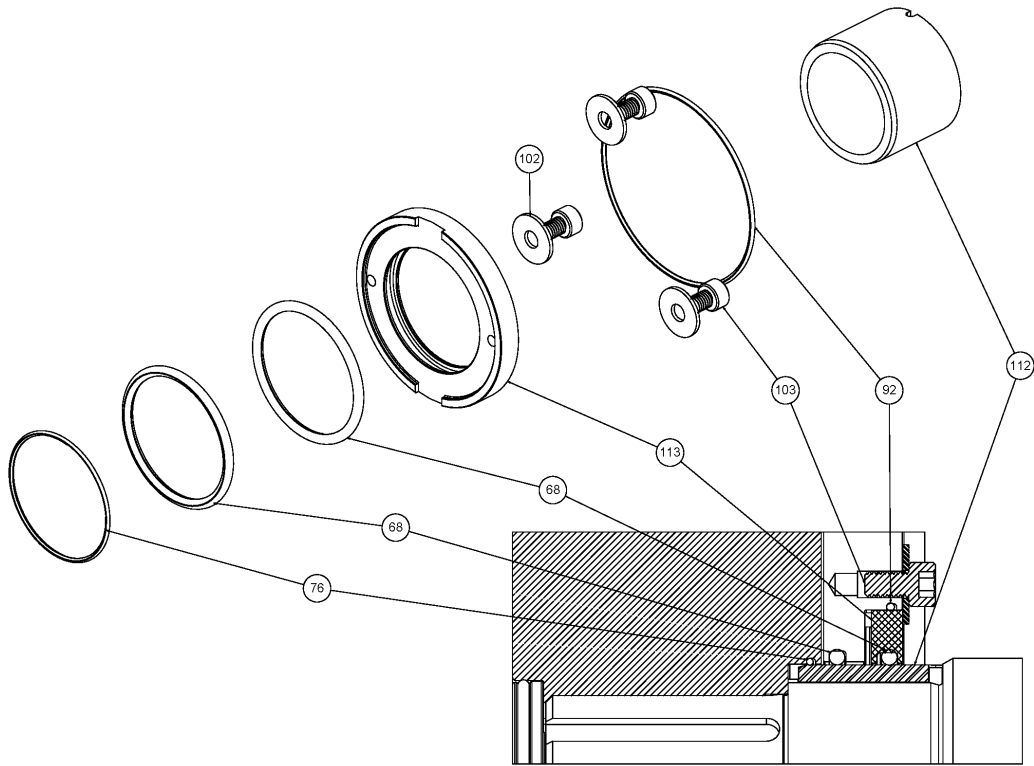
Ref #	Component Item No.	Description	Qty Per
61	AL10-SB00-SS	CASE STUD BOLT - AL05/10	4
62	AL10-SP01-SS-04	SHIM - 0.004" THICKNESS - AL100 SERIES	2
	AL10-SP01-SS-02	SHIM - 0.002" THICKNESS - AL100 SERIES	2
63	AL10-PN04-SS	DOWEL FOR CASE	2
65	AL10-RC02-SS	ROTOR CASE - AL05	1
74	AL10-RT01-SS-1	ROTOR MULTI-LOBE (TOP) - AL05	1
	AL10-RT01-SS-2	ROTOR MULTI-LOBE (SIDE) - AL05	1
76	E70028	O-RING FOR ROTOR - EPDM	2
	V70028	O-RING FOR ROTOR - VITON	2
77	AL10-RB02-SS	ROTOR BOLT - (SLOTTED)	2
78	AL10-SW01-SS	SPRING WASHER FOR ROTOR BOLT	2
79	E70021	O-RING FOR ROTOR BOLT - EPDM	2
	V70021	O-RING FOR ROTOR BOLT - VITON	2
80	AL10-FC00-SS	FRONT COVER - AL05	1
81	AL10-HN01-SS	HEX NUT/STUD BOLT LOCK	4
82	E70246	O-RING FOR FRONT COVER - AL05 - EPDM	1
	V70246	O-RING FOR FRONT COVER - AL05 - VITON	1
83	AL10-CN01-SS	CAP NUT	4



Single O-Ring Seal

Optional Items Shown in ITALICS

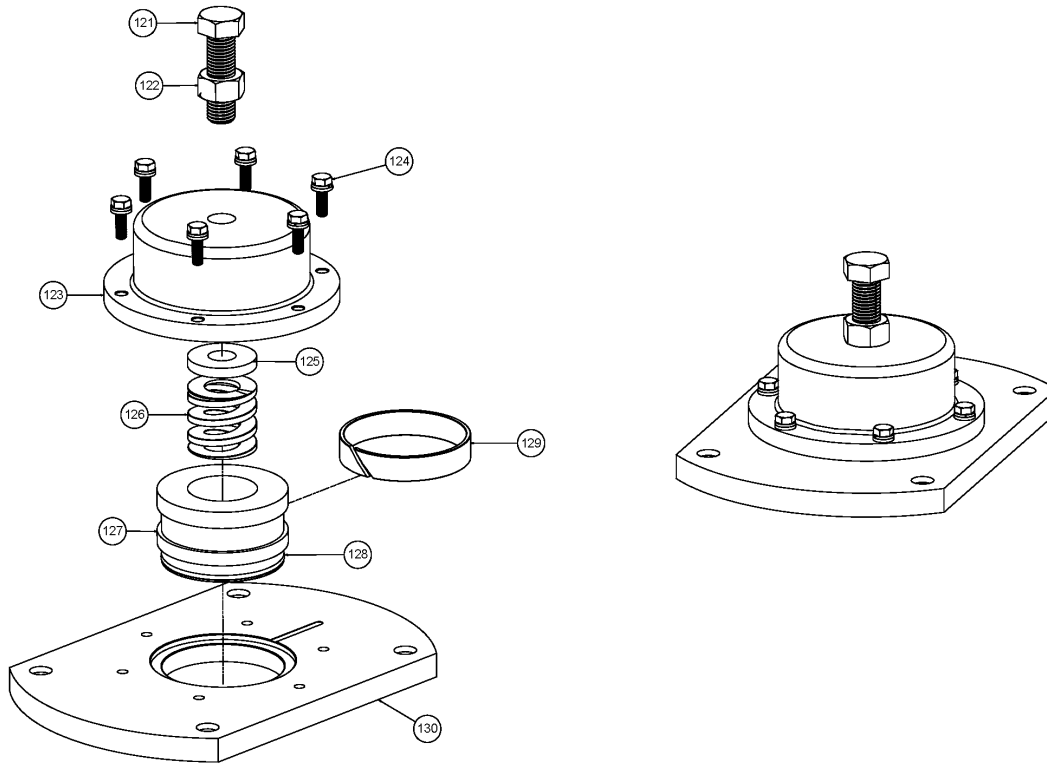
Ref #	Component Item No.	Description	Qty Per
68	E70220	O-RING FOR ROTOR CASE - EPDM	2
	<i>V70220</i>	<i>O-RING FOR ROTOR CASE - VITON</i>	<i>2</i>
76	E70028	O-RING FOR ROTOR - EPDM	2
	<i>V70028</i>	<i>O-RING FOR ROTOR - VITON</i>	<i>2</i>
112	AL10-SE08-SS	SLEEVE, CHROME OXIDE COATED	2



Double O-Ring Seal

Optional Items Shown in ITALICS

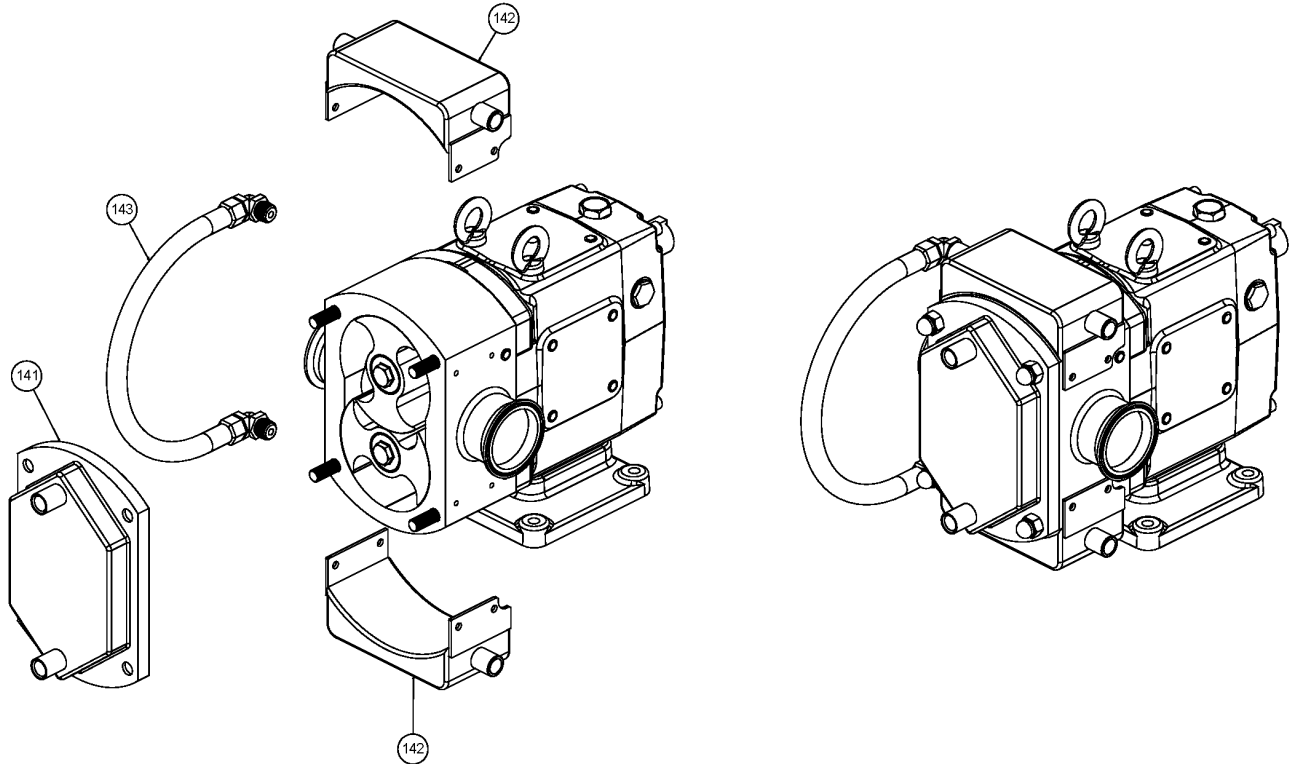
Ref #	Component Item No.	Description	Qty Per
68	E70220	O-RING FOR ROTOR CASE - EPDM	4
	<i>V70220</i>	<i>O-RING FOR ROTOR CASE - VITON</i>	<i>4</i>
76	E70028	O-RING FOR ROTOR - EPDM	2
	<i>V70028</i>	<i>O-RING FOR ROTOR - VITON</i>	<i>2</i>
92	V70036	O-RING FOR DOUBLE SEAL CASE - VITON	2
	E70036	O-RING FOR DOUBLE SEAL CASE - EPDM	2
102	AL00-WS01-SS	DIN M6 FENDER WASHER	4
103	AL00-BT01-SS	CAP SCREW FOR SEAL RETAINER	4
112	AL10-SE08-SS	SLEEVE, CHROME OXIDE COATED	2
113	AL10-OS02-SS	SS GLAND FOR DOUBLE O-RING	2



Pressure Relief Cover

Optional Items Shown in ITALICS

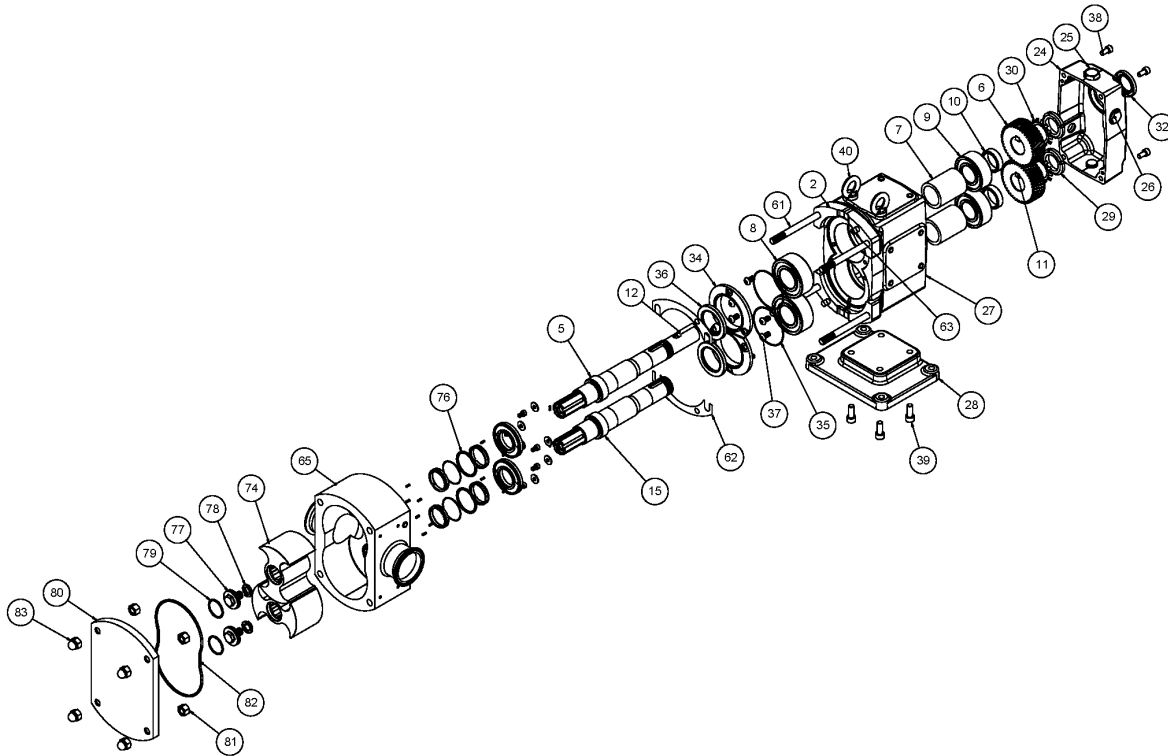
Ref #	Component Item No.	Description	Qty Per
121	GX5515150	ADJUSTING BOLT	1
122	GX5515000	LOCK NUT	1
123	AL10-RH01-SS	HOUSING FOR RELIEF VALVE	1
124	GX5512105	BOLT, HEX HEAD	4
	GX5512010	LOCK WASHER	4
125	AL10-RP02-SS	PISTON FOR ADJUSTING	1
126	AL10-RS03-CS	SPRING	1
127	AL10-RV02-SS	VALVE HEAD	1
128	E70136	O-RING - EPDM	1
	V70136	O-RING - VITON	1
129	E70115	O-RING - EPDM	1
	V70115	O-RING - VITON	1
130	AL10-FC09-SS	FRONT COVER FOR RELIEF VALVE - AL05	1



Heating Jackets

Optional Items Shown in ITALICS

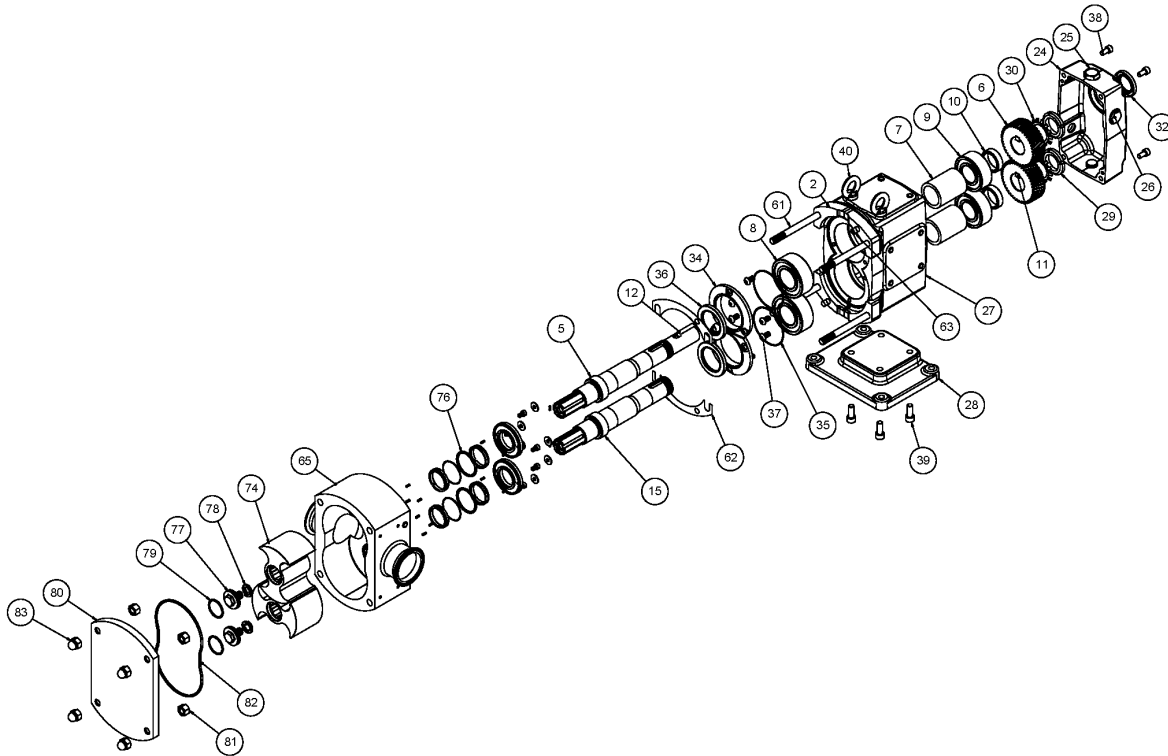
Ref #	Component Item No.	Description	Qty Per
141	AL10-FC08-SS	FRONT COVER WITH JACKET - AL05	1
142	AL10-HJ02-SS	CASE HEATING JACKET FOR BODY BOTTOM - AL05/10/15	1
	AL10-HJ01-SS	CASE HEATING JACKET FOR BODY TOP - AL05/10/15	1
143	AL10-HJ03-SS	CASE HEATING JACKET FOR TUBE ASS'Y - AL10	1



Exploded View

Optional Items Shown in ITALICS

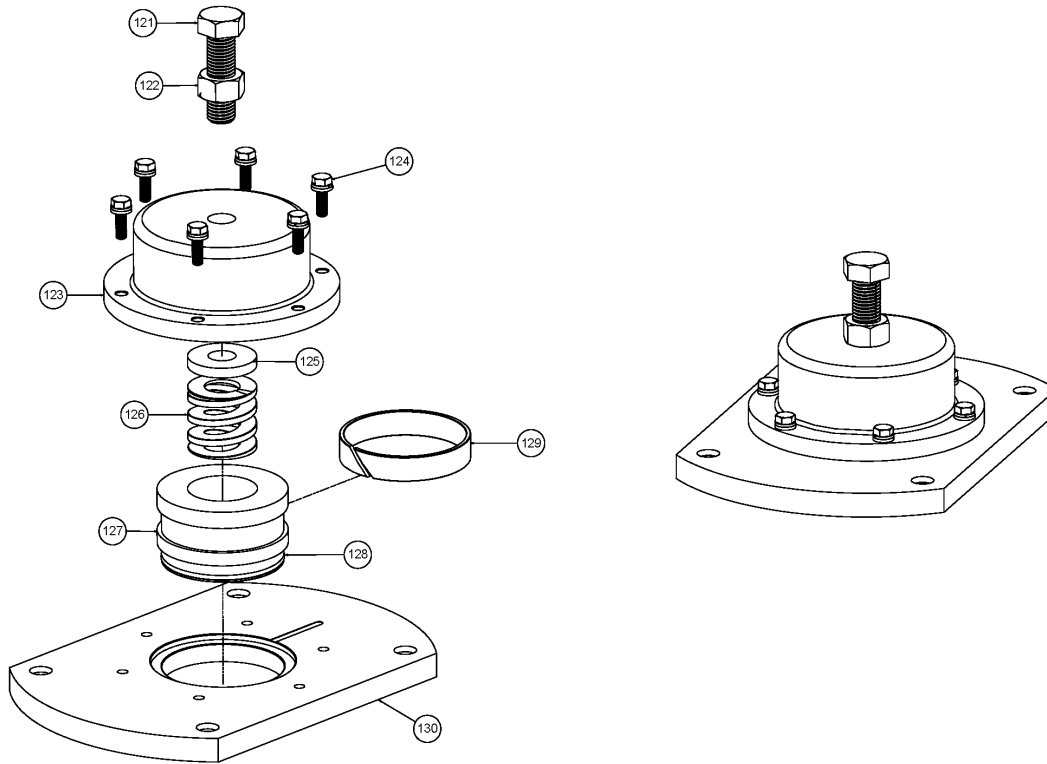
Ref #	Component Item No.	Description	Qty Per
2	AL10-GB03-SS	GEAR BOX - SS	1
5	AL10-SF01-SS	DRIVE SHAFT - AL05/10/15	1
6	AL10-HG01-CS	HELICAL GEAR - LEFT HAND	1
	AL10-HG02-CS	HELICAL GEAR - RIGHT HAND	1
7	AL10-BS01-CS	BEARING SPACER	2
8	AL10-BE01-CC	FRONT BEARING	2
9	AL10-BE02-CS	REAR BEARING	2
10	AL10-GS01-CS	GEAR SPACER	2
11	AL10-GK01-CS	GEAR KEY 8x7x17	2
12	AL10-SK02-CS	SHAFT KEY - 6x6x30	1
13	AL00-PN02-SS	SET PIN FOR DOUBLE SEAL	6
15	AL10-SF02-SS	SHORT SHAFT - AL05/10/15	1
24	AL10-GB04-SS	GEAR BOX COVER - SS	1
25	P1GX115798	HEX PLUG WITH NBR SEAL	2
26	P1GX115799	OIL LEVEL INDICATOR	2
27	AL10-PN05-SS	DOWEL FOR GEAR BOX	2
28	AL10-GB05-SS	GEAR BOX BASE - SS	1
29	AL10-LN01-CS	LOCK NUT	2
30	AL10-LW01-CS	LOCK WASHER	2
32	AL10-OS02-L3	REAR OIL SEAL - NBR	1
34	AL10-OS01-SS	OIL SEAL GLAND	2
35	N70035	O-RING FOR OIL SEAL GLAND - NBR	2
36	AL10-OS01-L3	FRONT OIL SEAL - NBR	2
37	AL10-BT01-SS	CAP SCREW FOR OIL SEAL GLAND	6
38	AL10-BT02-SS	CAP SCREW FOR GEAR BOX COVER	4
39	AL10-BT03-SS	CAP SCREW FOR GEAR BASE	4
40	AL10-BT04-SS	EYEBOLT	2



Exploded View

Optional Items Shown in ITALICS

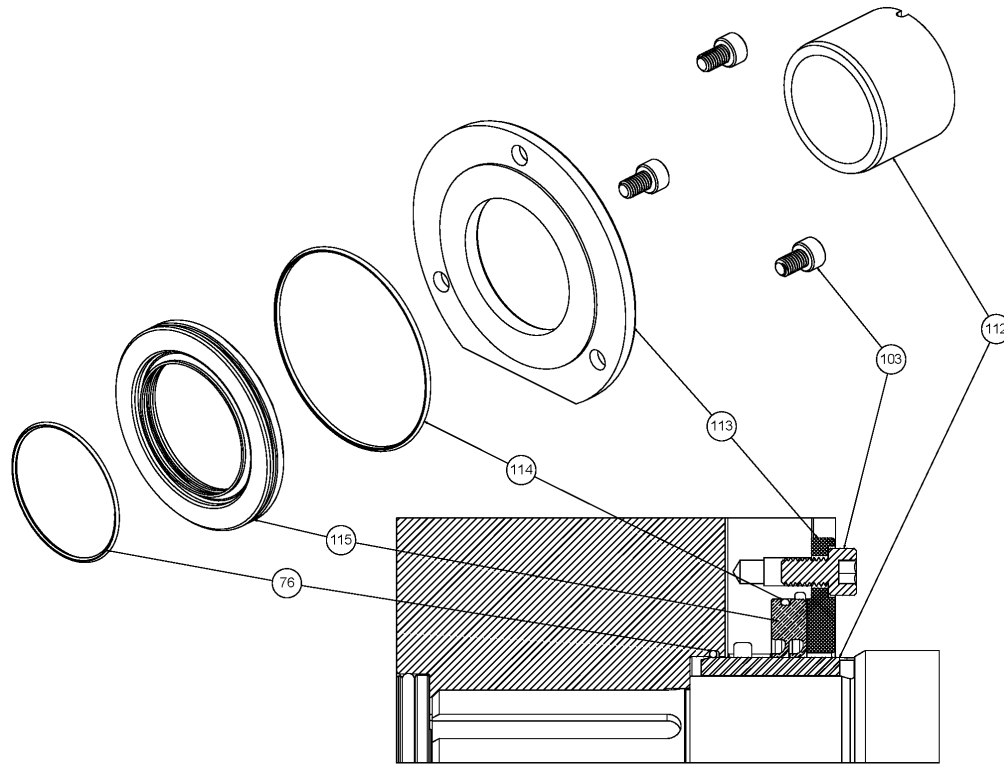
Ref #	Component Item No.	Description	Qty Per
61	AL10-SB00-SS	CASE STUD BOLT - AL05/10	4
62	AL10-SP01-SS-04	SHIM - 0.004" THICKNESS - AL100 SERIES	2
	AL10-SP01-SS-02	SHIM - 0.002" THICKNESS - AL100 SERIES	2
63	AL10-PN04-SS	DOWEL FOR CASE	2
65	AL10-RC07-SS	ROTOR CASE - AL10	1
74	AL10-RT02-SS-1	ROTOR BI-WING (TOP) - AL10	1
	AL10-RT02-SS-2	ROTOR BI-WING (SIDE) - AL10	1
	<i>AL10-RT05-SS-1</i>	<i>ROTOR MULTI-LOBE (TOP) - AL10</i>	<i>1</i>
	<i>AL10-RT05-SS-2</i>	<i>ROTOR MULTI-LOBE (SIDE) - AL10</i>	<i>1</i>
76	E70028	O-RING FOR ROTOR - EPDM	2
	<i>V70028</i>	<i>O-RING FOR ROTOR - VITON</i>	<i>2</i>
77	AL10-RB02-SS	ROTOR BOLT - (SLOTTED)	2
78	AL10-SW01-SS	SPRING WASHER FOR ROTOR BOLT	2
79	E70021	O-RING FOR ROTOR BOLT - EPDM	2
	<i>V70021</i>	<i>O-RING FOR ROTOR BOLT - VITON</i>	<i>2</i>
80	AL10-FC01-SS	FRONT COVER - AL10	1
81	AL10-HN01-SS	HEX NUT/STUD BOLT LOCK	4
82	E70248	O-RING FOR FRONT COVER - AL10 - EPDM	1
	<i>V70248</i>	<i>O-RING FOR FRONT COVER - AL10 - VITON</i>	<i>1</i>
	<i>TE70248</i>	<i>O-RING FOR FRONT COVER - AL10 - TEFLON ENCAP</i>	<i>1</i>
83	AL10-CN01-SS	CAP NUT	4



Pressure Relief Cover

Optional Items Shown in ITALICS

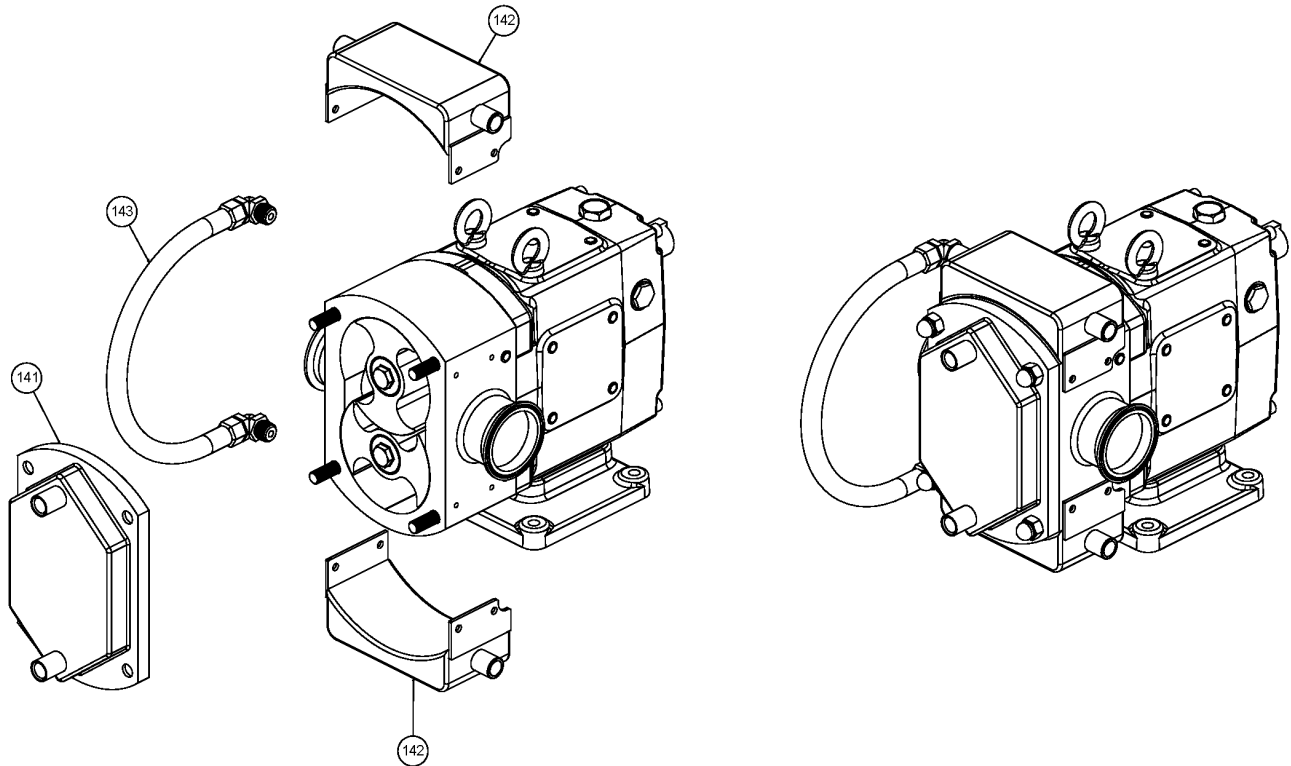
Ref #	Component Item No.	Description	Qty Per
121	GX5515150	ADJUSTING BOLT	1
122	GX5515000	LOCK NUT	1
123	AL10-RH01-SS	HOUSING FOR RELIEF VALVE	1
124	GX5512010	LOCK WASHER	4
	GX5512105	BOLT, HEX HEAD	4
125	AL10-RP02-SS	PISTON FOR ADJUSTING	1
126	AL10-RS03-CS	SPRING	1
127	AL10-RV02-SS	VALVE HEAD	1
128	E70136	O-RING - EPDM	1
	V70136	O-RING - VITON	1
129	E70115	O-RING - EPDM	1
	V70115	O-RING - VITON	1
130	AL10-FC03-SS	FRONT COVER FOR RELIEF VALVE - AL10	1



Lip Seal

Optional Items Shown in ITALICS

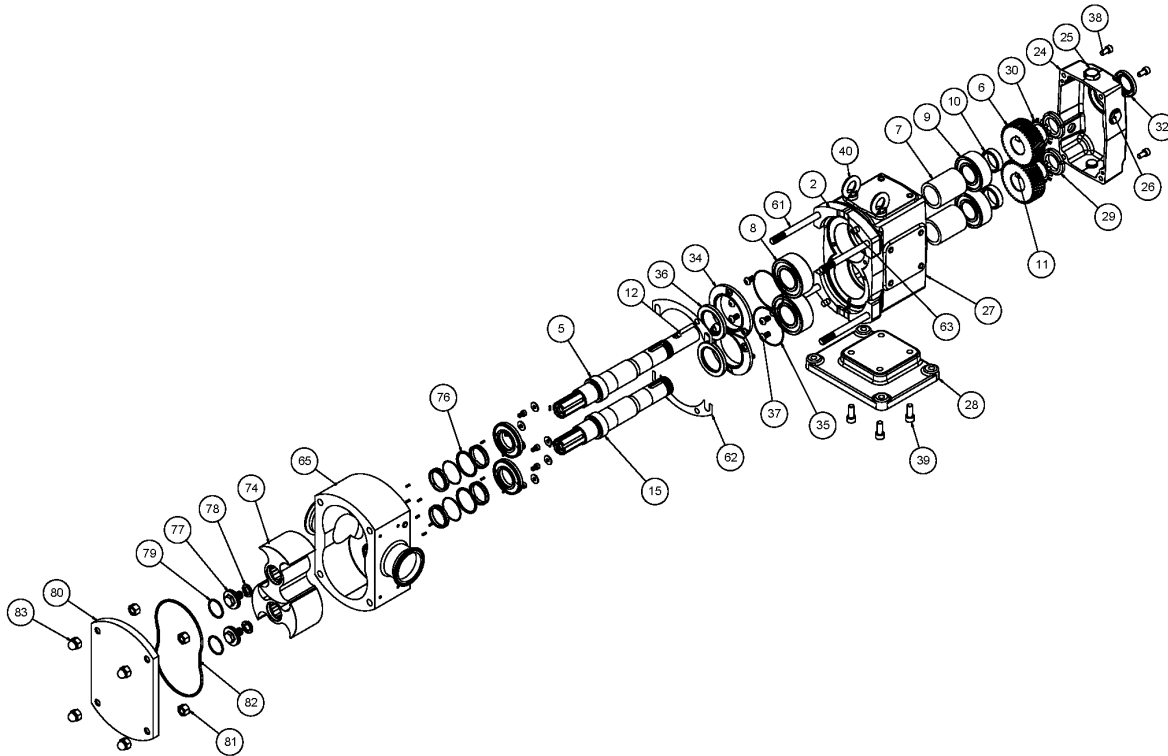
Ref #	Component Item No.	Description	Qty Per
76	E70028	O-RING FOR ROTOR - EPDM	2
	<i>V70028</i>	<i>O-RING FOR ROTOR - VITON</i>	<i>2</i>
103	AL00-BT01-SS	CAP SCREW FOR SEAL RETAINER	4
112	AL10-SE08-SS	SLEEVE, CHROME OXIDE COATED	2
113	AL10-SE05-S3	SS GLAND FOR DOUBLE LIP SEAL FOR PRODUCT	2
	<i>AL10-SE06-S3</i>	<i>SS GLAND FOR TRIPLE LIP SEAL FOR PRODUCT</i>	<i>2</i>
114	<i>V70139</i>	<i>O-RING, DOUBLE LIP SEAL - VITON</i>	<i>2</i>
115	AL10-SE05-S2	DOUBLE LIP SEAL FOR PRODUCT - TEFLON	2
	<i>AL10-SE06-S2</i>	<i>TRIPLE LIP SEAL FOR PRODUCT - TEFLON</i>	<i>2</i>



Heating Jackets

Optional Items Shown in ITALICS

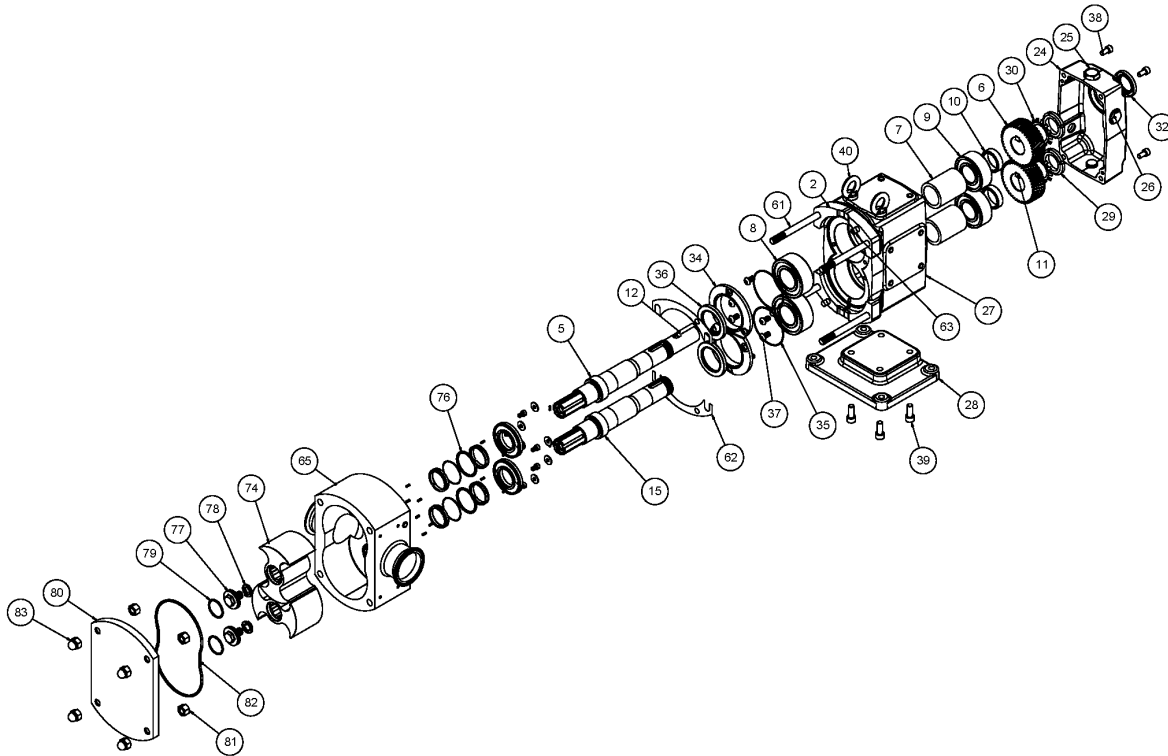
Ref #	Component Item No.	Description	Qty Per
141	AL10-FC06-SS	FRONT COVER WITH JACKET - AL10	1
142	AL10-HJ01-SS	CASE HEATING JACKET FOR BODY TOP - AL05/10/15	1
	AL10-HJ02-SS	CASE HEATING JACKET FOR BODY BOTTOM - AL05/10/15	1
143	AL10-HJ03-SS	CASE HEATING JACKET FOR TUBE ASS'Y - AL10	1



Exploded View

Optional Items Shown in ITALICS

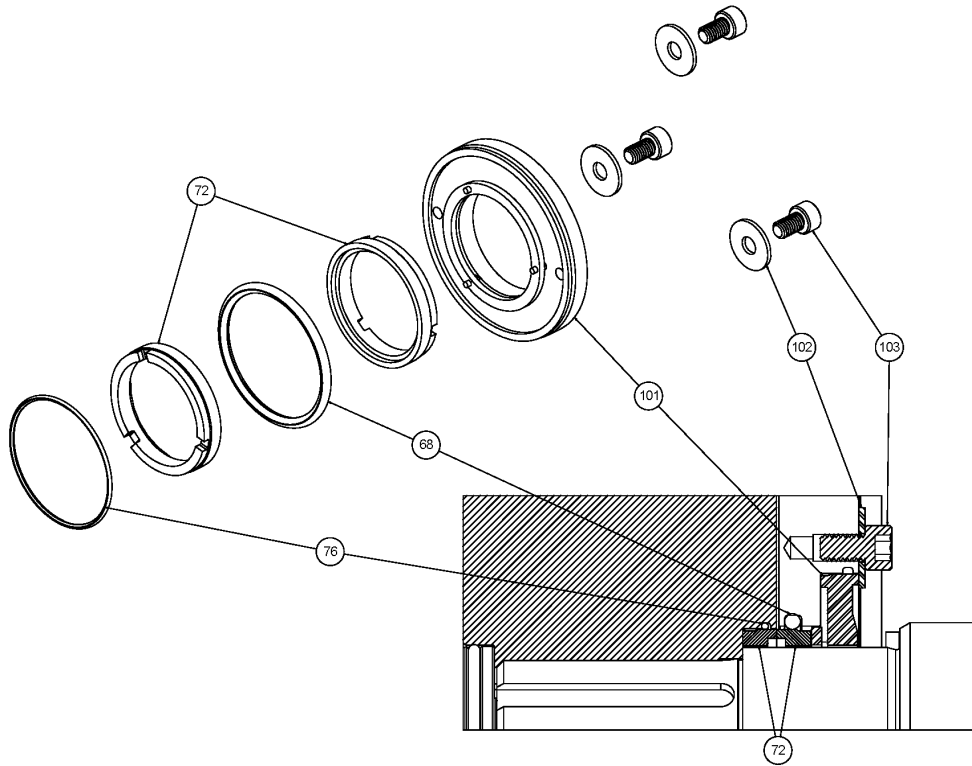
Ref #	Component Item No.	Description	Qty Per
2	AL10-GB03-SS	GEAR BOX - SS	1
5	AL10-SF01-SS	DRIVE SHAFT - AL05/10/15	1
6	AL10-HG01-CS	HELICAL GEAR - LEFT HAND	1
	AL10-HG02-CS	HELICAL GEAR - RIGHT HAND	1
7	AL10-BS01-CS	BEARING SPACER	2
8	AL10-BE01-CC	FRONT BEARING	2
9	AL10-BE02-CS	REAR BEARING	2
10	AL10-GS01-CS	GEAR SPACER	2
11	AL10-GK01-CS	GEAR KEY 8x7x17	2
12	AL10-SK02-CS	SHAFT KEY - 6x6x30	1
13	AL00-PN02-SS	SET PIN FOR DOUBLE SEAL	6
15	AL10-SF02-SS	SHORT SHAFT - AL05/10/15	1
24	AL10-GB04-SS	GEAR BOX COVER - SS	1
25	P1GX115798	HEX PLUG WITH NBR SEAL	2
26	P1GX115799	OIL LEVEL INDICATOR	2
27	AL10-PN05-SS	DOWEL FOR GEAR BOX	2
28	AL10-GB05-SS	GEAR BOX BASE - SS	1
29	AL10-LN01-CS	LOCK NUT	2
30	AL10-LW01-CS	LOCK WASHER	2
32	AL10-OS02-L3	REAR OIL SEAL - NBR	1
34	AL10-OS01-SS	OIL SEAL GLAND	2
35	N70035	O-RING FOR OIL SEAL GLAND - NBR	2
36	AL10-OS01-L3	FRONT OIL SEAL - NBR	2
37	AL10-BT01-SS	CAP SCREW FOR OIL SEAL GLAND	6
38	AL10-BT02-SS	CAP SCREW FOR GEAR BOX COVER	4
39	AL10-BT03-SS	CAP SCREW FOR GEAR BASE	4
40	AL10-BT04-SS	EYEBOLT	2



Exploded View

Optional Items Shown in ITALICS

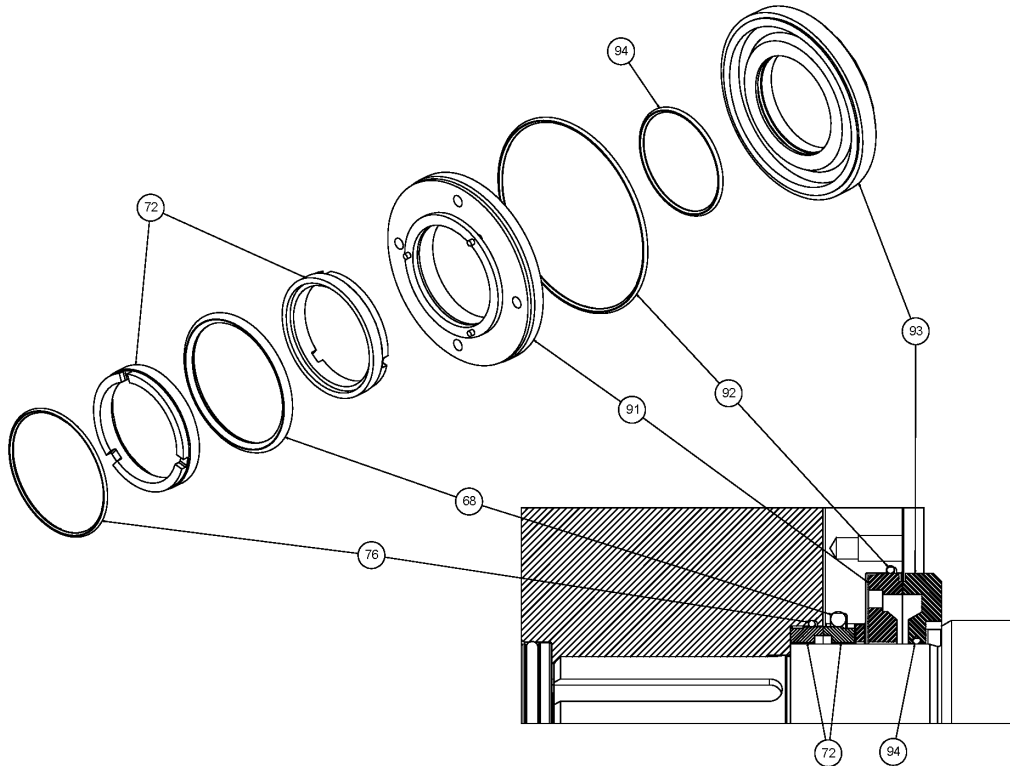
Ref #	Component Item No.	Description	Qty Per
61	AL10-SB00-SS	CASE STUD BOLT - AL05/10	4
62	AL10-SP01-SS-02	SHIM - 0.002" THICKNESS - AL100 SERIES	2
	AL10-SP01-SS-04	SHIM - 0.004" THICKNESS - AL100 SERIES	2
63	AL10-PN04-SS	DOWEL FOR CASE	2
65	AL10-RC07-SS	ROTOR CASE - AL10	1
74	AL10-RT02-SS-2	ROTOR BI-WING (SIDE) - AL10	1
	AL10-RT02-SS-1	ROTOR BI-WING (TOP) - AL10	1
	<i>AL10-RT05-SS-2</i>	<i>ROTOR MULTI-LOBE (SIDE) - AL10</i>	<i>1</i>
	<i>AL10-RT05-SS-1</i>	<i>ROTOR MULTI-LOBE (TOP) - AL10</i>	<i>1</i>
76	E70028	O-RING FOR ROTOR - EPDM	2
	<i>V70028</i>	<i>O-RING FOR ROTOR - VITON</i>	<i>2</i>
77	AL10-RB02-SS	ROTOR BOLT - (SLOTTED)	2
78	AL10-SW01-SS	SPRING WASHER FOR ROTOR BOLT	2
79	E70021	O-RING FOR ROTOR BOLT - EPDM	2
	<i>V70021</i>	<i>O-RING FOR ROTOR BOLT - VITON</i>	<i>2</i>
80	AL10-FC01-SS	FRONT COVER - AL10	1
81	AL10-HN01-SS	HEX NUT/STUD BOLT LOCK	4
82	E70248	O-RING FOR FRONT COVER - AL10 - EPDM	1
	<i>V70248</i>	<i>O-RING FOR FRONT COVER - AL10 - VITON</i>	<i>1</i>
	<i>TE70248</i>	<i>O-RING FOR FRONT COVER - AL10 - TEFLON ENCAP</i>	<i>1</i>
83	AL10-CN01-SS	CAP NUT	4



Single Mechanical Seal

Optional Items Shown in ITALICS

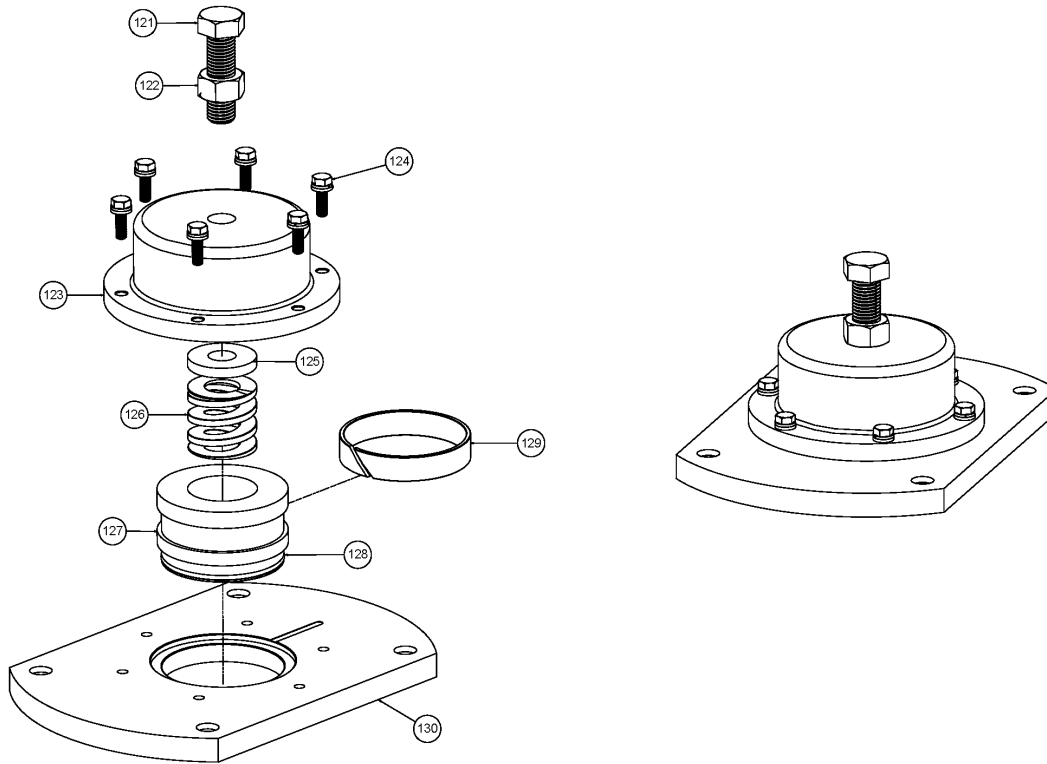
Ref #	Component Item No.	Description	Qty Per
68	E70220	O-RING FOR ROTOR CASE - EPDM	2
	<i>V70220</i>	<i>O-RING FOR ROTOR CASE - VITON</i>	<i>2</i>
72	AL10-SE06-SS	SEAL/MECHANICAL SEAL RING - TC	4
	<i>AL10-SE07-SS</i>	<i>SEAL/MECHANICAL SEAL RING - SC</i>	<i>4</i>
76	E70028	O-RING FOR ROTOR - EPDM	2
	<i>V70028</i>	<i>O-RING FOR ROTOR - VITON</i>	<i>2</i>
101	AL10-SE01-S3	SEAL/SINGLE MECH SEAL BASE	2
102	AL00-WS01-SS	DIN M6 FENDER WASHER	4
103	AL00-BT01-SS	CAP SCREW FOR SEAL RETAINER	4



Double Mechanical Seal

Optional Items Shown in ITALICS

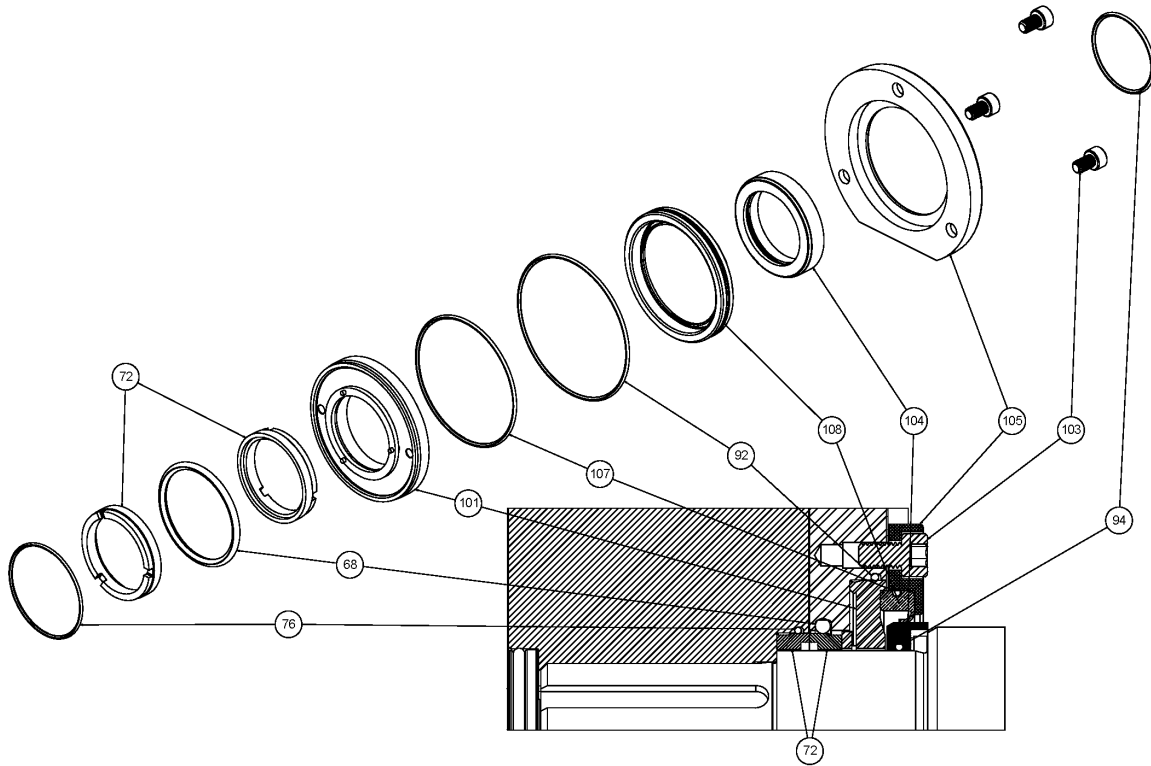
Ref #	Component Item No.	Description	Qty Per
68	E70220	O-RING FOR ROTOR CASE - EPDM	2
	<i>V70220</i>	<i>O-RING FOR ROTOR CASE - VITON</i>	<i>2</i>
72	AL10-SE06-SS	SEAL/MECHANICAL SEAL RING - TC	4
	<i>AL10-SE07-SS</i>	<i>SEAL/MECHANICAL SEAL RING - SC</i>	<i>4</i>
76	E70028	O-RING FOR ROTOR - EPDM	2
	<i>V70028</i>	<i>O-RING FOR ROTOR - VITON</i>	<i>2</i>
91	AL10-SE01-S5	DOUBLE SEAL REAR BASE - SC	2
	<i>AL10-SE01-S6</i>	<i>DOUBLE SEAL REAR BASE - TC</i>	<i>2</i>
92	E70036	O-RING FOR DOUBLE SEAL CASE - EPDM	2
	<i>V70036</i>	<i>O-RING FOR DOUBLE SEAL CASE - VITON</i>	<i>2</i>
93	AL10-SE02-S2	SEAL/FLUSHED SEAL UNIT - SC	2
	<i>AL10-SE02-S1</i>	<i>SEAL/FLUSHED SEAL UNIT - TC</i>	<i>2</i>
94	E70023	O-RING FOR DOUBLE SEAL SHAFT - EPDM	2
	<i>V70023</i>	<i>O-RING FOR DOUBLE SEAL SHAFT - VITON</i>	<i>2</i>



Pressure Relief Cover

Optional Items Shown in ITALICS

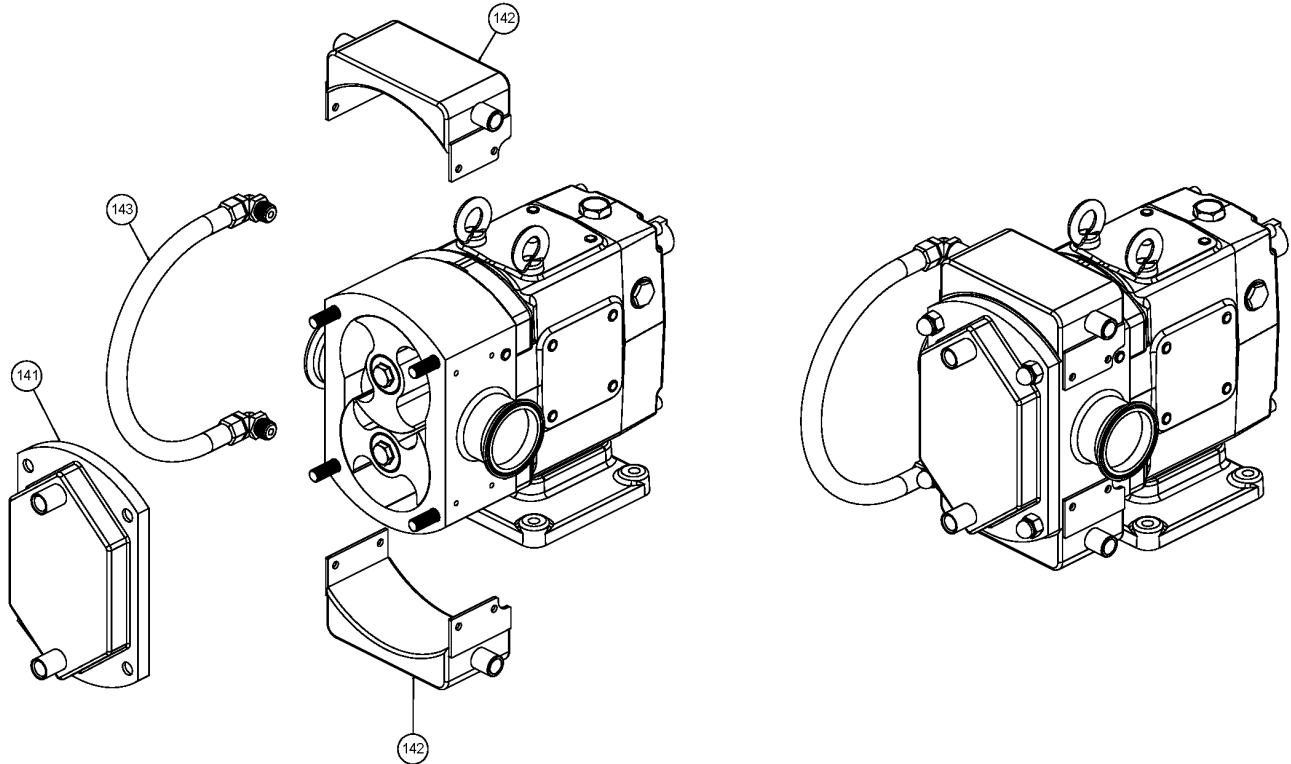
Ref #	Component Item No.	Description	Qty Per
121	GX5515150	ADJUSTING BOLT	1
122	GX5515000	LOCK NUT	1
123	AL10-RH01-SS	HOUSING FOR RELIEF VALVE	1
124	GX5512105	BOLT, HEX HEAD	4
	GX5512010	LOCK WASHER	4
125	AL10-RP02-SS	PISTON FOR ADJUSTING	1
126	AL10-RS03-CS	SPRING	1
127	AL10-RV02-SS	VALVE HEAD	1
128	E70136	O-RING - EPDM	1
	V70136	O-RING - VITON	1
129	E70115	O-RING - EPDM	1
	V70115	O-RING - VITON	1
130	AL10-FC03-SS	FRONT COVER FOR RELIEF VALVE - AL10	1



Single Mechanical Seal with Flush

Optional Items Shown in ITALICS

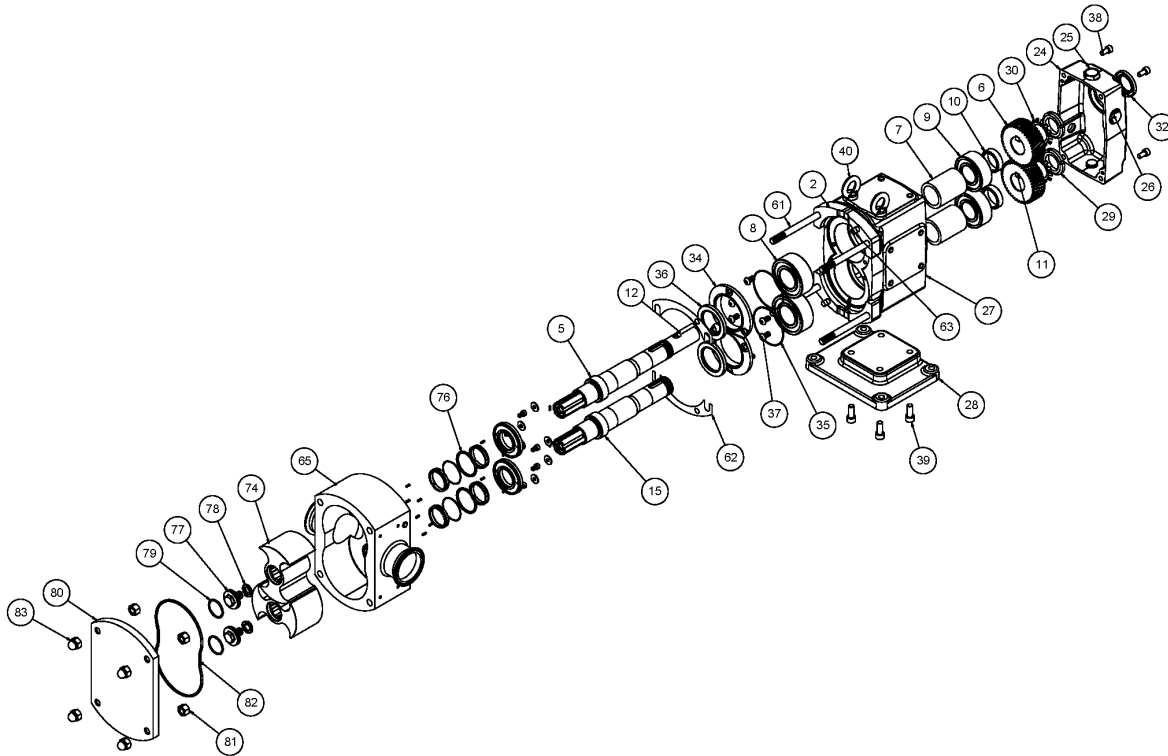
Ref #	Component Item No.	Description	Qty Per
68	E70220	O-RING FOR ROTOR CASE - EPDM	2
	<i>V70220</i>	<i>O-RING FOR ROTOR CASE - VITON</i>	<i>2</i>
72	AL10-SE06-SS	SEAL/MECHANICAL SEAL RING - TC	4
	<i>AL10-SE07-SS</i>	<i>SEAL/MECHANICAL SEAL RING - SC</i>	<i>4</i>
76	E70028	O-RING FOR ROTOR - EPDM	2
	<i>V70028</i>	<i>O-RING FOR ROTOR - VITON</i>	<i>2</i>
92	V70036	O-RING FOR DOUBLE SEAL CASE - VITON	2
	E70036	O-RING FOR DOUBLE SEAL CASE - EPDM	2
94	E70023	O-RING FOR DOUBLE SEAL SHAFT - EPDM	2
	<i>V70023</i>	<i>O-RING FOR DOUBLE SEAL SHAFT - VITON</i>	<i>2</i>
101	AL10-SE01-S3	SEAL/SINGLE MECH SEAL BASE	2
103	AL00-BT01-SS	CAP SCREW FOR SEAL RETAINER	4
104	AL10-FL02-CE	CERMAIC SLEEVE FOR FLUSHING	2
105	AL10-FL03-SS	SS GLAND FOR FLUSHING	2
107	E70033	O-RING FOR FLUSHED LIP - EPDM	2
	<i>V70033</i>	<i>O-RING FOR FLUSHED LIP - VITON</i>	<i>2</i>
108	AL10-FL01-PF	PTFE - LIP SEAL FOR FLUSHING	2



Heating Jackets

Optional Items Shown in ITALICS

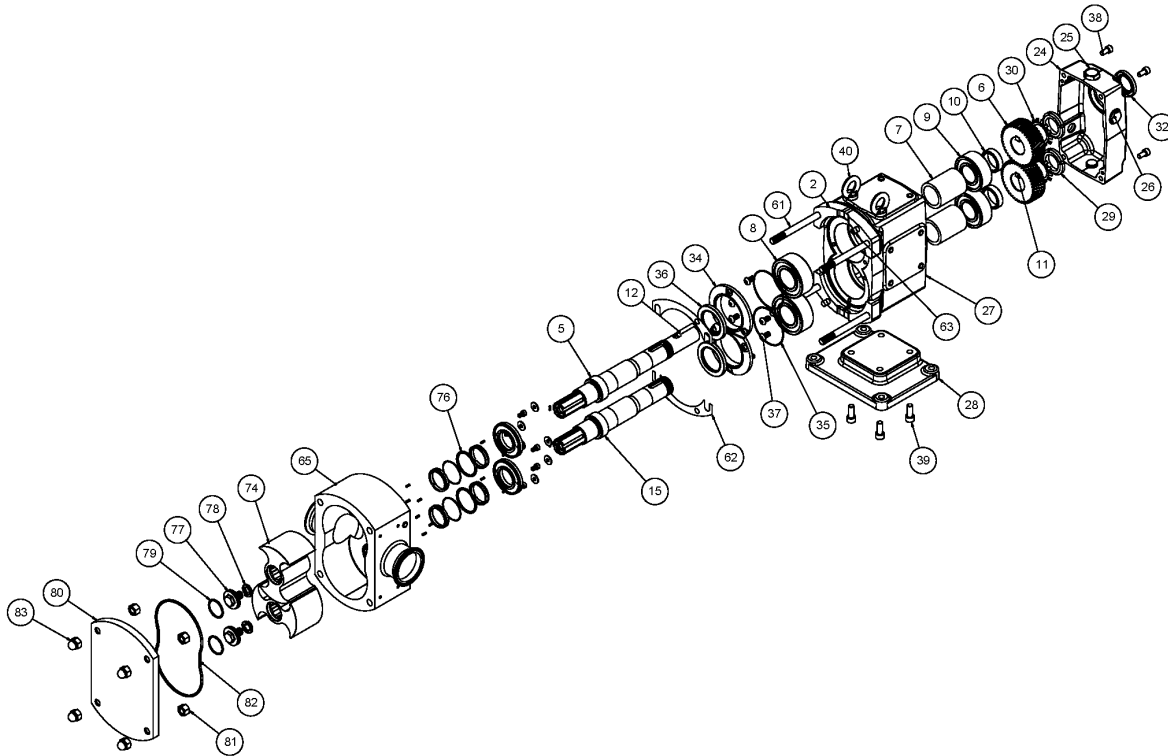
Ref #	Component Item No.	Description	Qty Per
141	AL10-FC06-SS	FRONT COVER WITH JACKET - AL10	1
142	AL10-HJ01-SS	CASE HEATING JACKET FOR BODY TOP - AL05/10/15	1
	AL10-HJ02-SS	CASE HEATING JACKET FOR BODY BOTTOM - AL05/10/15	1
143	AL10-HJ03-SS	CASE HEATING JACKET FOR TUBE ASS'Y - AL10	1



Exploded View

Optional Items Shown in ITALICS

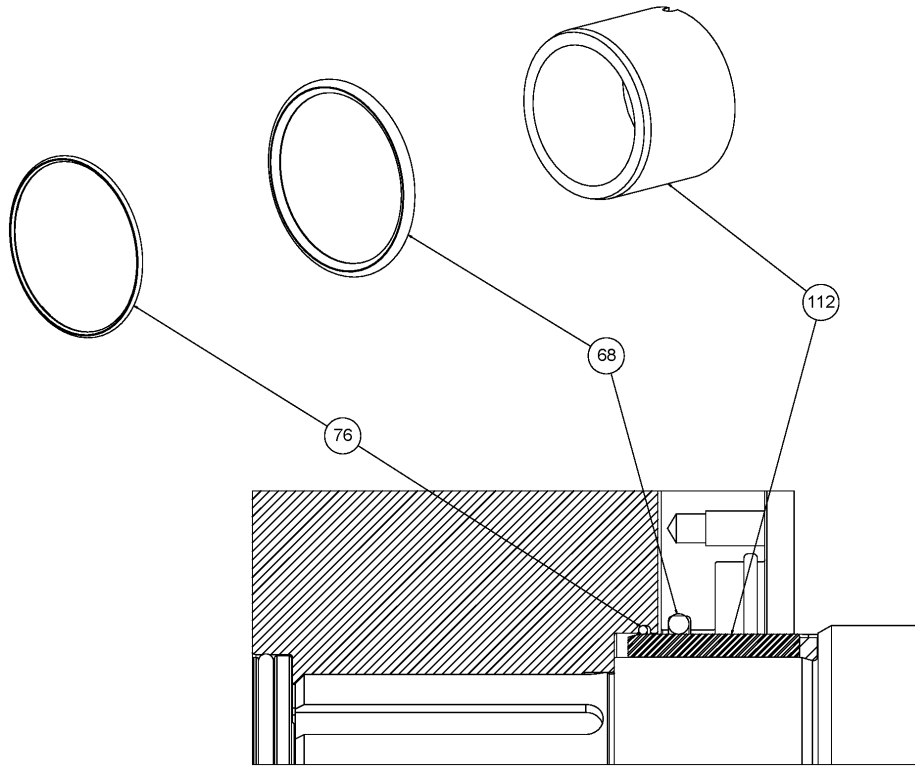
Ref #	Component Item No.	Description	Qty Per
2	AL10-GB03-SS	GEAR BOX - SS	1
5	AL10-SF01-SS	DRIVE SHAFT - AL05/10/15	1
6	AL10-HG02-CS	HELICAL GEAR - RIGHT HAND	1
	AL10-HG01-CS	HELICAL GEAR - LEFT HAND	1
7	AL10-BS01-CS	BEARING SPACER	2
8	AL10-BE01-CC	FRONT BEARING	2
9	AL10-BE02-CS	REAR BEARING	2
10	AL10-GS01-CS	GEAR SPACER	2
11	AL10-GK01-CS	GEAR KEY 8x7x17	2
12	AL10-SK02-CS	SHAFT KEY - 6x6x30	1
13	AL00-PN02-SS	SET PIN FOR DOUBLE SEAL	6
15	AL10-SF02-SS	SHORT SHAFT - AL05/10/15	1
24	AL10-GB04-SS	GEAR BOX COVER - SS	1
25	P1GX115798	HEX PLUG WITH NBR SEAL	2
26	P1GX115799	OIL LEVEL INDICATOR	2
27	AL10-PN05-SS	DOWEL FOR GEAR BOX	2
28	AL10-GB05-SS	GEAR BOX BASE - SS	1
29	AL10-LN01-CS	LOCK NUT	2
30	AL10-LW01-CS	LOCK WASHER	2
32	AL10-OS02-L3	REAR OIL SEAL - NBR	1
34	AL10-OS01-SS	OIL SEAL GLAND	2
35	N70035	O-RING FOR OIL SEAL GLAND - NBR	2
36	AL10-OS01-L3	FRONT OIL SEAL - NBR	2
37	AL10-BT01-SS	CAP SCREW FOR OIL SEAL GLAND	6
38	AL10-BT02-SS	CAP SCREW FOR GEAR BOX COVER	4
39	AL10-BT03-SS	CAP SCREW FOR GEAR BASE	4
40	AL10-BT04-SS	EYEBOLT	2



Exploded View

Optional Items Shown in ITALICS

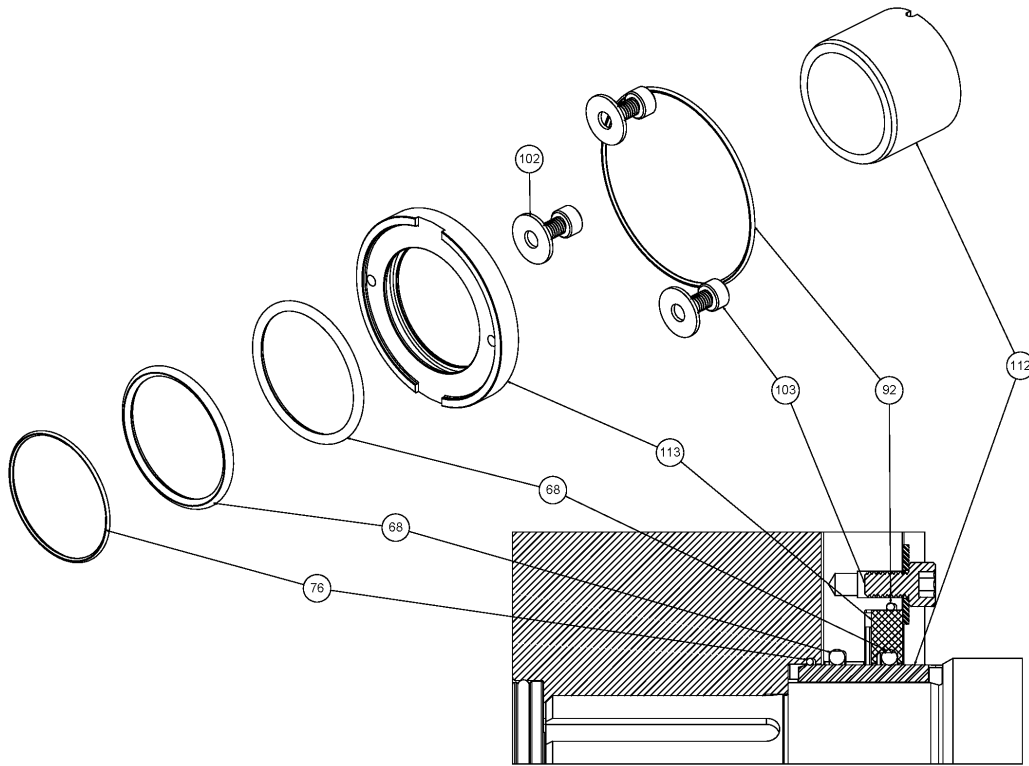
Ref #	Component Item No.	Description	Qty Per
61	AL10-SB00-SS	CASE STUD BOLT - AL05/10	4
62	AL10-SP01-SS-02	SHIM - 0.002" THICKNESS - AL100 SERIES	2
	AL10-SP01-SS-04	SHIM - 0.004" THICKNESS - AL100 SERIES	2
63	AL10-PN04-SS	DOWEL FOR CASE	2
65	AL10-RC07-SS	ROTOR CASE - AL10	1
74	AL10-RT02-SS-2	ROTOR BI-WING (SIDE) - AL10	1
	AL10-RT02-SS-1	ROTOR BI-WING (TOP) - AL10	1
	<i>AL10-RT05-SS-1</i>	<i>ROTOR MULTI-LOBE (TOP) - AL10</i>	<i>1</i>
	<i>AL10-RT05-SS-2</i>	<i>ROTOR MULTI-LOBE (SIDE) - AL10</i>	<i>1</i>
76	E70028	O-RING FOR ROTOR - EPDM	2
	<i>V70028</i>	<i>O-RING FOR ROTOR - VITON</i>	<i>2</i>
77	AL10-RB02-SS	ROTOR BOLT - (SLOTTED)	2
78	AL10-SW01-SS	SPRING WASHER FOR ROTOR BOLT	2
79	E70021	O-RING FOR ROTOR BOLT - EPDM	2
	<i>V70021</i>	<i>O-RING FOR ROTOR BOLT - VITON</i>	<i>2</i>
80	AL10-FC01-SS	FRONT COVER - AL10	1
81	AL10-HN01-SS	HEX NUT/STUD BOLT LOCK	4
82	E70248	O-RING FOR FRONT COVER - AL10 - EPDM	1
	<i>V70248</i>	<i>O-RING FOR FRONT COVER - AL10 - VITON</i>	<i>1</i>
	<i>TE70248</i>	<i>O-RING FOR FRONT COVER - AL10 - TEFLON ENCAP</i>	<i>1</i>
83	AL10-CN01-SS	CAP NUT	4



Single O-Ring Seal

Optional Items Shown in ITALICS

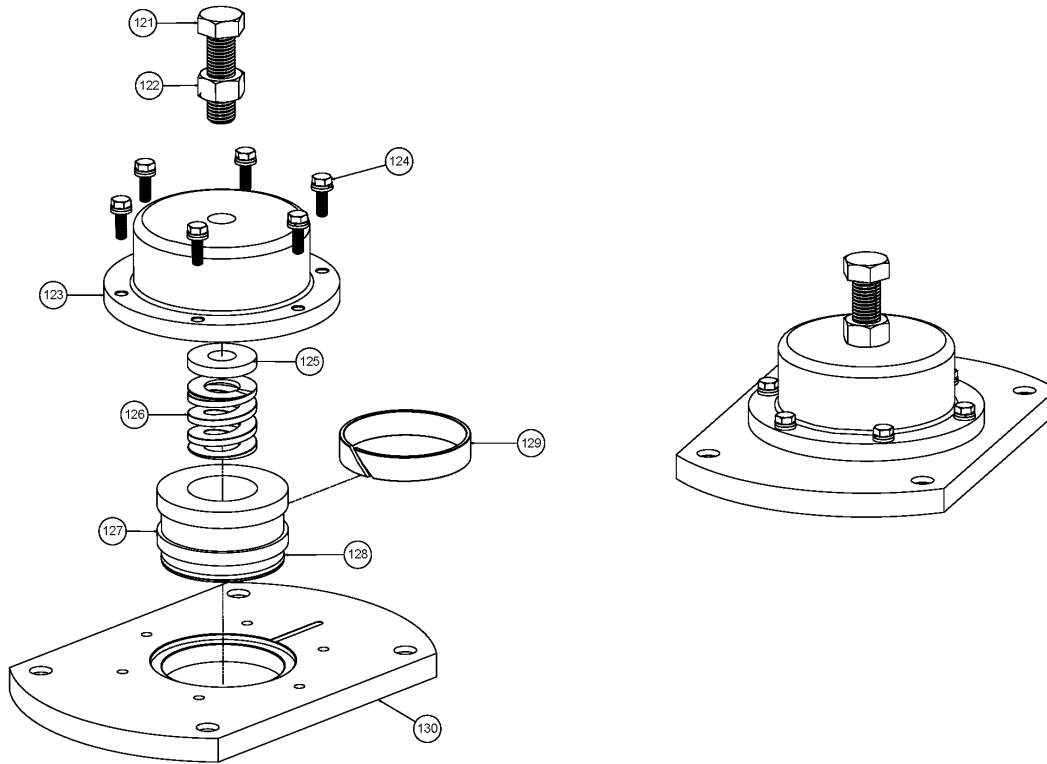
Ref #	Component Item No.	Description	Qty Per
68	E70220	O-RING FOR ROTOR CASE - EPDM	2
	<i>V70220</i>	<i>O-RING FOR ROTOR CASE - VITON</i>	<i>2</i>
76	E70028	O-RING FOR ROTOR - EPDM	2
	<i>V70028</i>	<i>O-RING FOR ROTOR - VITON</i>	<i>2</i>
112	AL10-SE08-SS	SLEEVE, CHROME OXIDE COATED	2



Double O-Ring Seal

Optional Items Shown in ITALICS

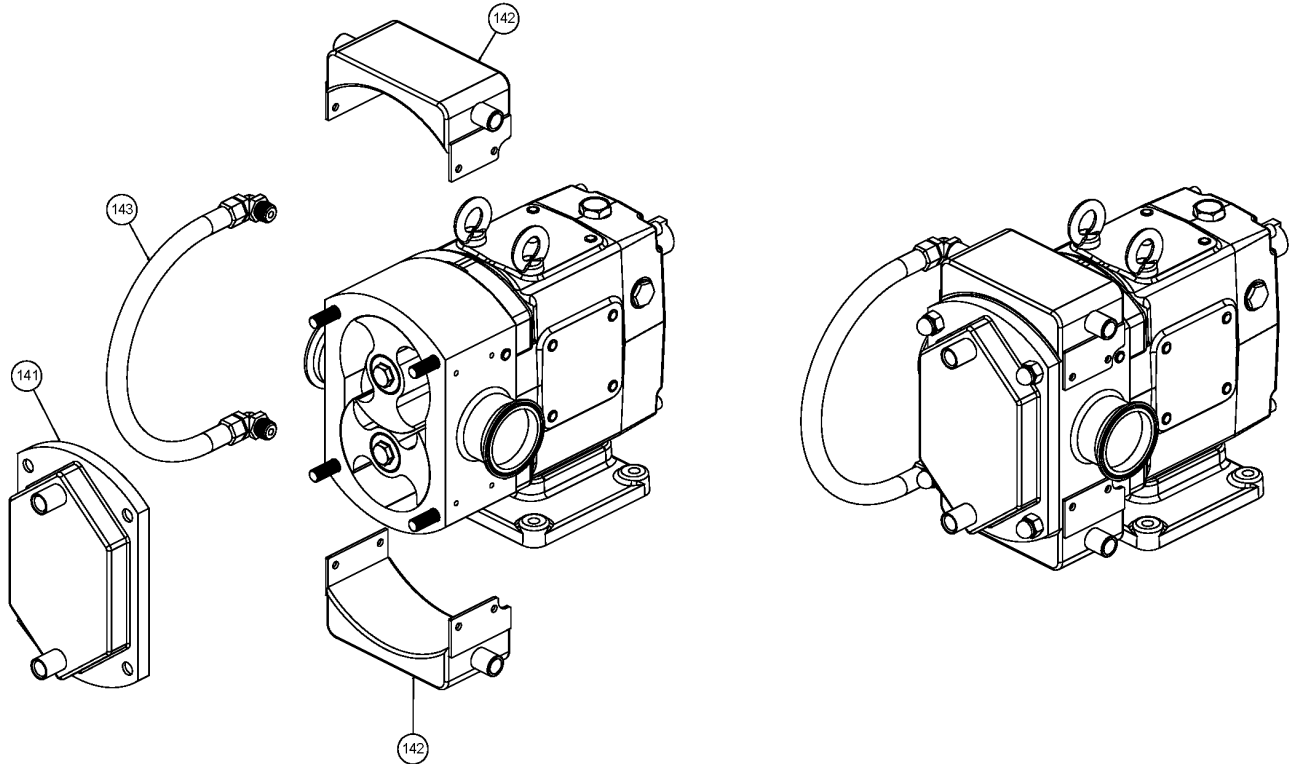
Ref #	Component Item No.	Description	Qty Per
68	E70220	O-RING FOR ROTOR CASE - EPDM	4
	<i>V70220</i>	<i>O-RING FOR ROTOR CASE - VITON</i>	<i>4</i>
76	E70028	O-RING FOR ROTOR - EPDM	2
	<i>V70028</i>	<i>O-RING FOR ROTOR - VITON</i>	<i>2</i>
92	V70036	O-RING FOR DOUBLE SEAL CASE - VITON	2
	E70036	O-RING FOR DOUBLE SEAL CASE - EPDM	2
102	AL00-WS01-SS	DIN M6 FENDER WASHER	4
103	AL00-BT01-SS	CAP SCREW FOR SEAL RETAINER	4
112	AL10-SE08-SS	SLEEVE, CHROME OXIDE COATED	2
113	AL10-OS02-SS	SS GLAND FOR DOUBLE O-RING	2



Pressure Relief Cover

Optional Items Shown in ITALICS

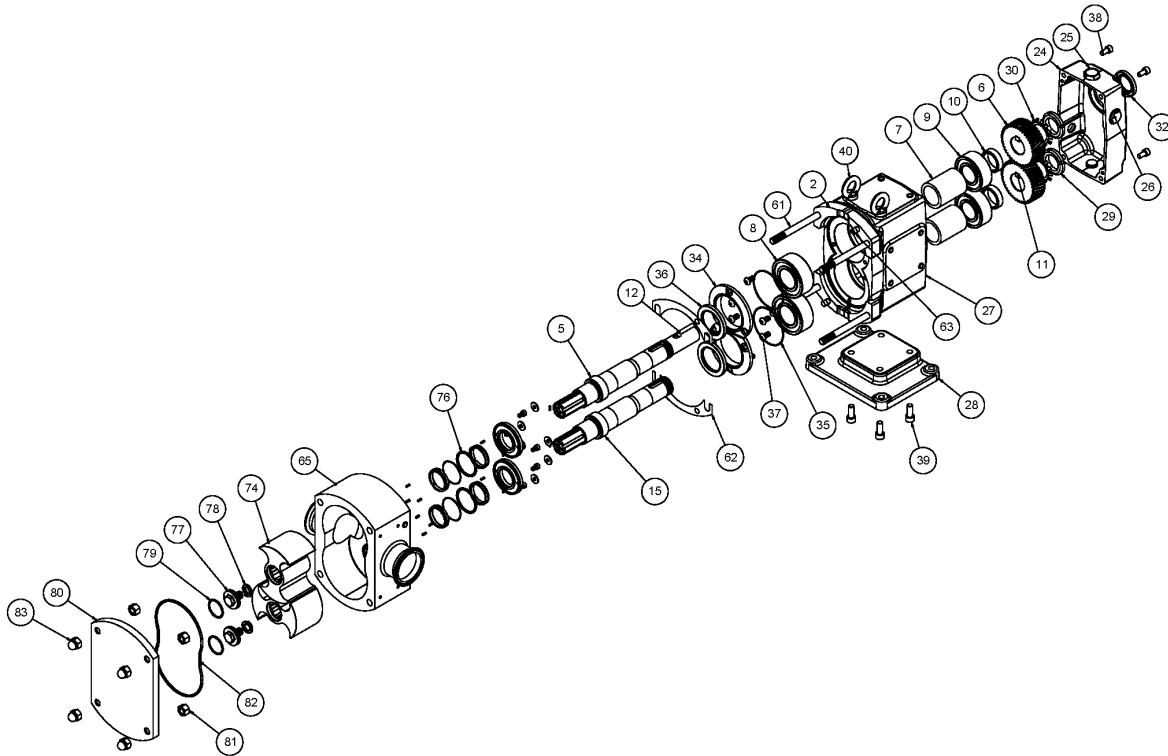
Ref #	Component Item No.	Description	Qty Per
121	GX5515150	ADJUSTING BOLT	1
122	GX5515000	LOCK NUT	1
123	AL10-RH01-SS	HOUSING FOR RELIEF VALVE	1
124	GX5512010	LOCK WASHER	4
	GX5512105	BOLT, HEX HEAD	4
125	AL10-RP02-SS	PISTON FOR ADJUSTING	1
126	AL10-RS03-CS	SPRING	1
127	AL10-RV02-SS	VALVE HEAD	1
128	E70136	O-RING - EPDM	1
	V70136	O-RING - VITON	1
129	E70115	O-RING - EPDM	1
	V70115	O-RING - VITON	1
130	AL10-FC03-SS	FRONT COVER FOR RELIEF VALVE - AL10	1



Heating Jackets

Optional Items Shown in ITALICS

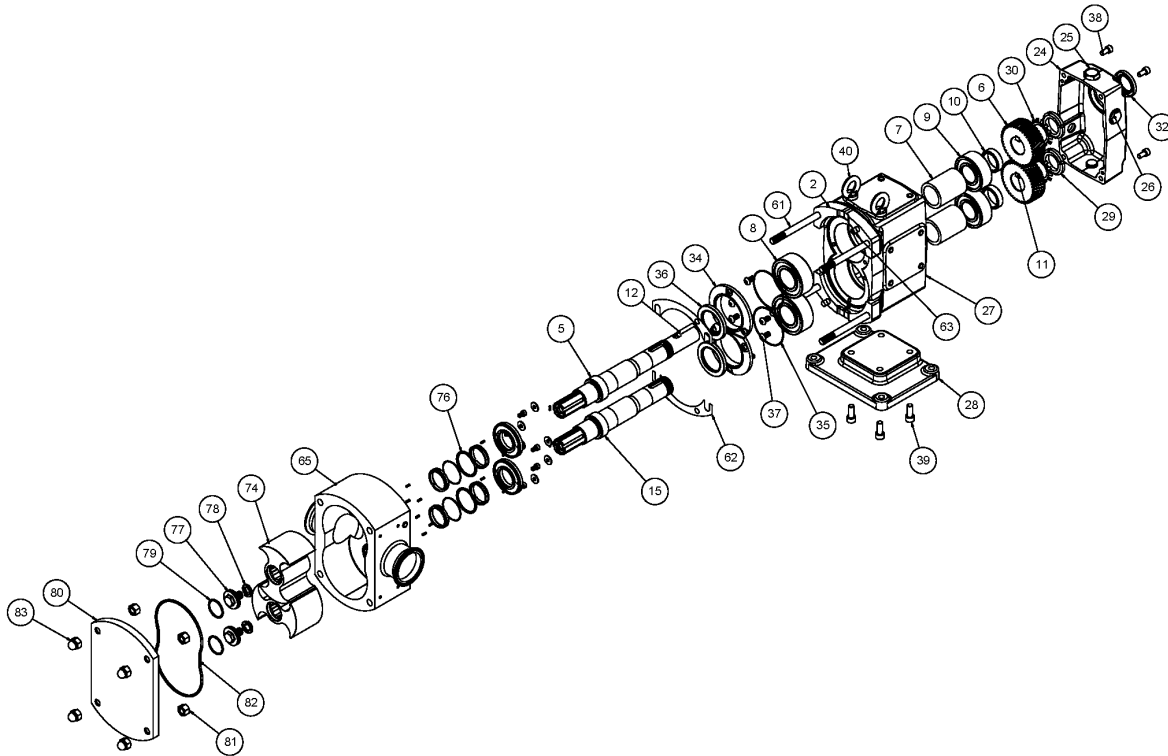
Ref #	Component Item No.	Description	Qty Per
141	AL10-FC06-SS	FRONT COVER WITH JACKET - AL10	1
142	AL10-HJ01-SS	CASE HEATING JACKET FOR BODY TOP - AL05/10/15	1
	AL10-HJ02-SS	CASE HEATING JACKET FOR BODY BOTTOM - AL05/10/15	1
143	AL10-HJ03-SS	CASE HEATING JACKET FOR TUBE ASS'Y - AL10	1



Exploded View

Optional Items Shown in ITALICS

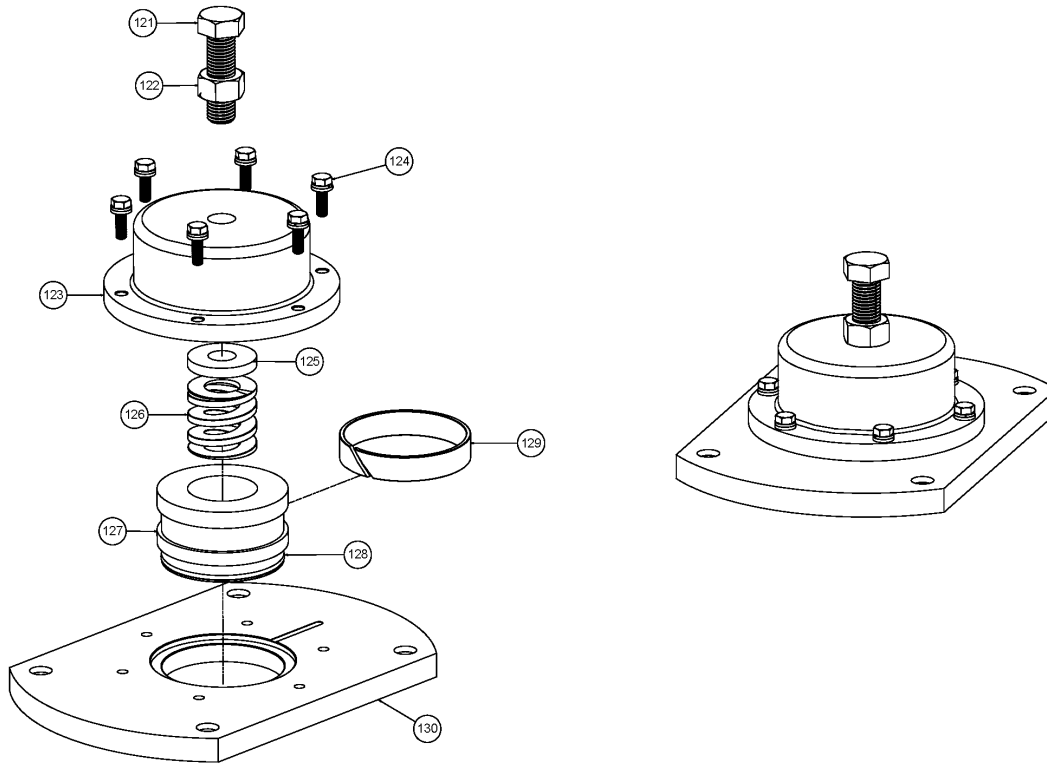
Ref #	Component Item No.	Description	Qty Per
2	AL10-GB03-SS	GEAR BOX - SS	1
5	AL10-SF01-SS	DRIVE SHAFT - AL05/10/15	1
6	AL10-HG01-CS	HELICAL GEAR - LEFT HAND	1
	AL10-HG02-CS	HELICAL GEAR - RIGHT HAND	1
7	AL10-BS01-CS	BEARING SPACER	2
8	AL10-BE01-CC	FRONT BEARING	2
9	AL10-BE02-CS	REAR BEARING	2
10	AL10-GS01-CS	GEAR SPACER	2
11	AL10-GK01-CS	GEAR KEY 8x7x17	2
12	AL10-SK02-CS	SHAFT KEY - 6x6x30	1
13	AL00-PN02-SS	SET PIN FOR DOUBLE SEAL	6
15	AL10-SF02-SS	SHORT SHAFT - AL05/10/15	1
24	AL10-GB04-SS	GEAR BOX COVER - SS	1
25	P1GX115798	HEX PLUG WITH NBR SEAL	2
26	P1GX115799	OIL LEVEL INDICATOR	2
27	AL10-PN05-SS	DOWEL FOR GEAR BOX	2
28	AL10-GB05-SS	GEAR BOX BASE - SS	1
29	AL10-LN01-CS	LOCK NUT	2
30	AL10-LW01-CS	LOCK WASHER	2
32	AL10-OS02-L3	REAR OIL SEAL - NBR	1
34	AL10-OS01-SS	OIL SEAL GLAND	2
35	N70035	O-RING FOR OIL SEAL GLAND - NBR	2
36	AL10-OS01-L3	FRONT OIL SEAL - NBR	2
37	AL10-BT01-SS	CAP SCREW FOR OIL SEAL GLAND	6
38	AL10-BT02-SS	CAP SCREW FOR GEAR BOX COVER	4
39	AL10-BT03-SS	CAP SCREW FOR GEAR BASE	4
40	AL10-BT04-SS	EYEBOLT	2



Exploded View

Optional Items Shown in ITALICS

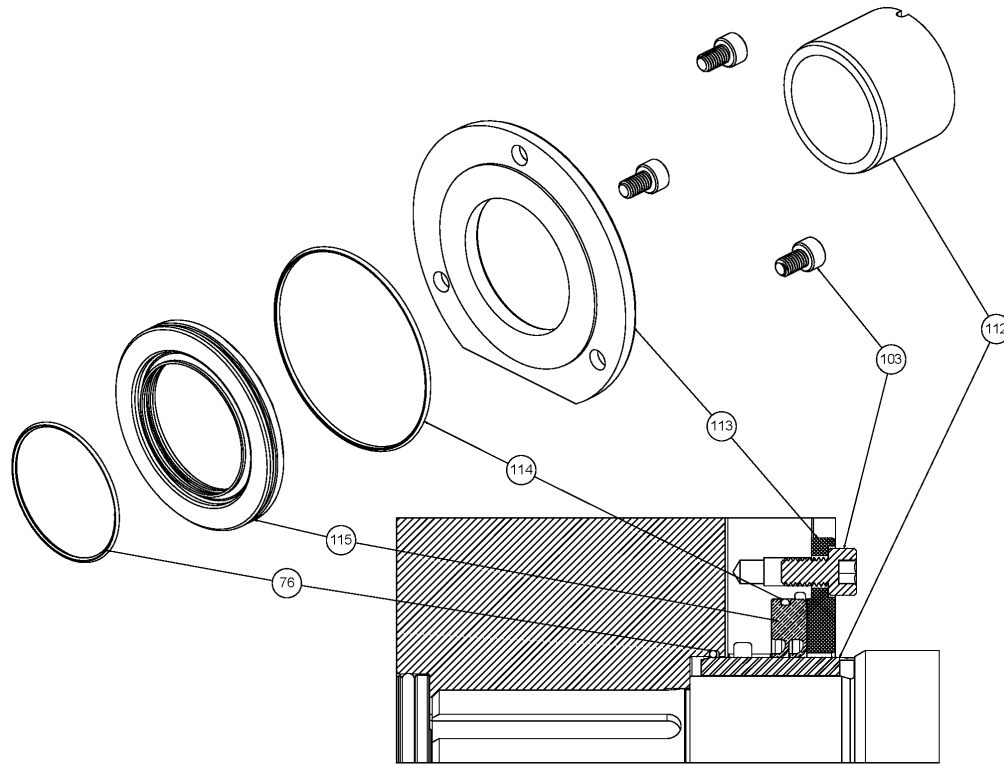
Ref #	Component Item No.	Description	Qty Per
61	AL10-SB01-SS	CASE STUD BOLT - AL15	4
62	AL10-SP01-SS-02	SHIM - 0.002" THICKNESS - AL100 SERIES	2
	AL10-SP01-SS-04	SHIM - 0.004" THICKNESS - AL100 SERIES	2
63	AL10-PN04-SS	DOWEL FOR CASE	2
65	AL10-RC47-SS	ROTOR CASE - AL15	1
74	AL10-RT12-SS-1	ROTOR BI-WING (TOP) - AL15	1
	AL10-RT12-SS-2	ROTOR BI-WING (SIDE) - AL15	1
	<i>AL10-RT12-SS-2H</i>	<i>ROTOR BI-WING (SIDE) - AL15 - HOT</i>	1
	<i>AL10-RT12-SS-1H</i>	<i>ROTOR BI-WING (TOP) - AL15 - HOT</i>	1
	<i>AL10-RT11-SS-1</i>	<i>ROTOR SINGLE-WING - AL15</i>	2
	<i>AL10-RT14-SS-1</i>	<i>ROTOR TRI-LOBE - AL15</i>	2
	<i>AL10-RT14-SS-1H</i>	<i>ROTOR TRI-LOBE - AL15 - HOT</i>	2
76	E70028	O-RING FOR ROTOR - EPDM	2
	<i>V70028</i>	<i>O-RING FOR ROTOR - VITON</i>	2
77	AL10-RB01-SS	ROTOR BOLT - (HEX HEAD)	2
78	AL10-SW01-SS	SPRING WASHER FOR ROTOR BOLT	2
79	E70021	O-RING FOR ROTOR BOLT - EPDM	2
	<i>V70021</i>	<i>O-RING FOR ROTOR BOLT - VITON</i>	2
80	AL10-FC02-SS	FRONT COVER - AL10	1
81	AL10-HN01-SS	HEX NUT/STUD BOLT LOCK	4
82	E70251	O-RING FOR FRONT COVER - AL15/20 - EPDM	1
	<i>V70251</i>	<i>O-RING FOR FRONT COVER - AL15/20 - VITON</i>	1
	<i>TE70251</i>	<i>O-RING FOR FRONT COVER - AL15/20 - TEFLON ENCAP</i>	1
83	AL10-CN01-SS	CAP NUT	4



Pressure Relief Cover

Optional Items Shown in ITALICS

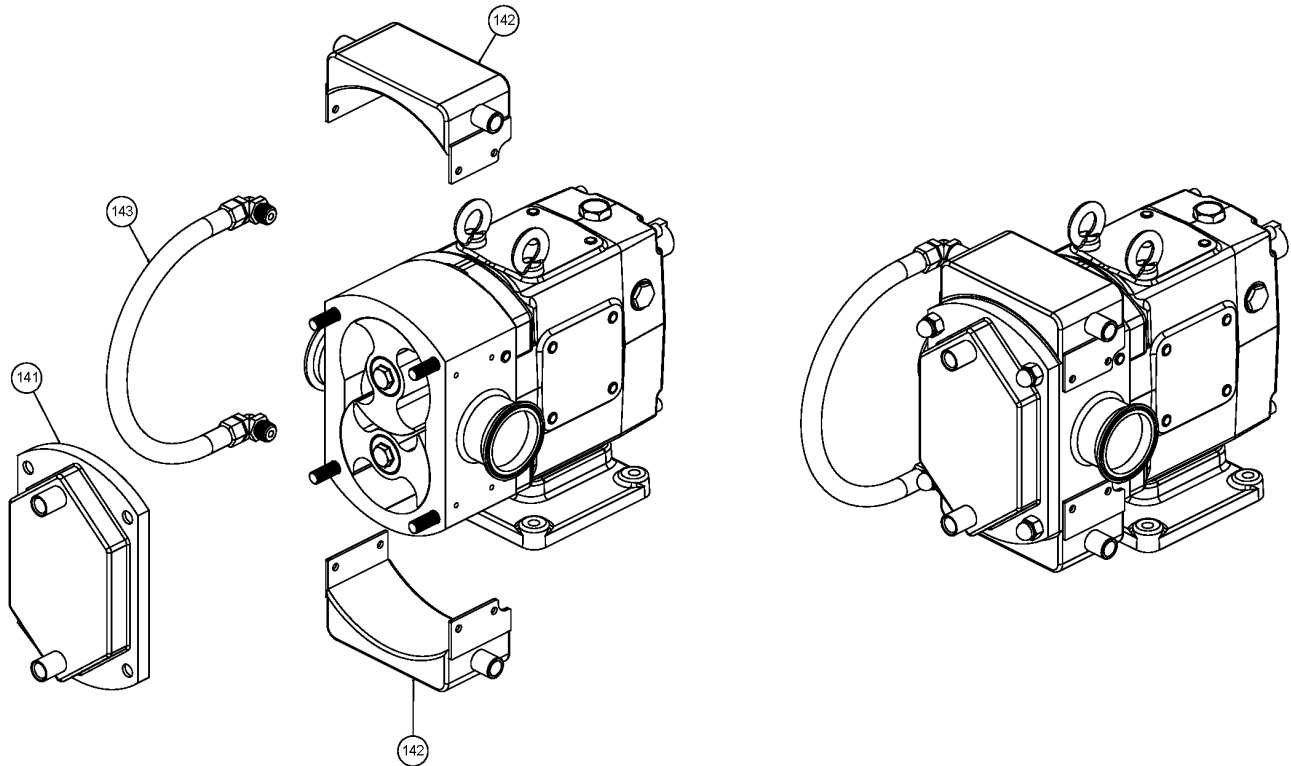
Ref #	Component Item No.	Description	Qty Per
121	GX5515150	ADJUSTING BOLT	1
122	GX5515000	LOCK NUT	1
123	AL10-RH01-SS	HOUSING FOR RELIEF VALVE	1
124	GX5512010	LOCK WASHER	4
	GX5512105	BOLT, HEX HEAD	4
125	AL10-RP02-SS	PISTON FOR ADJUSTING	1
126	AL10-RS03-CS	SPRING	1
127	AL10-RV01-SS	VALVE HEAD	1
128	E70138	O-RING - EPDM	1
	V70138	O-RING - VITON	1
129	E70134	O-RING - EPDM	1
	V70134	O-RING - VITON	1
130	AL10-FC04-SS	FRONT COVER FOR RELIEF VALVE - AL15/20	1



Lip Seal

Optional Items Shown in ITALICS

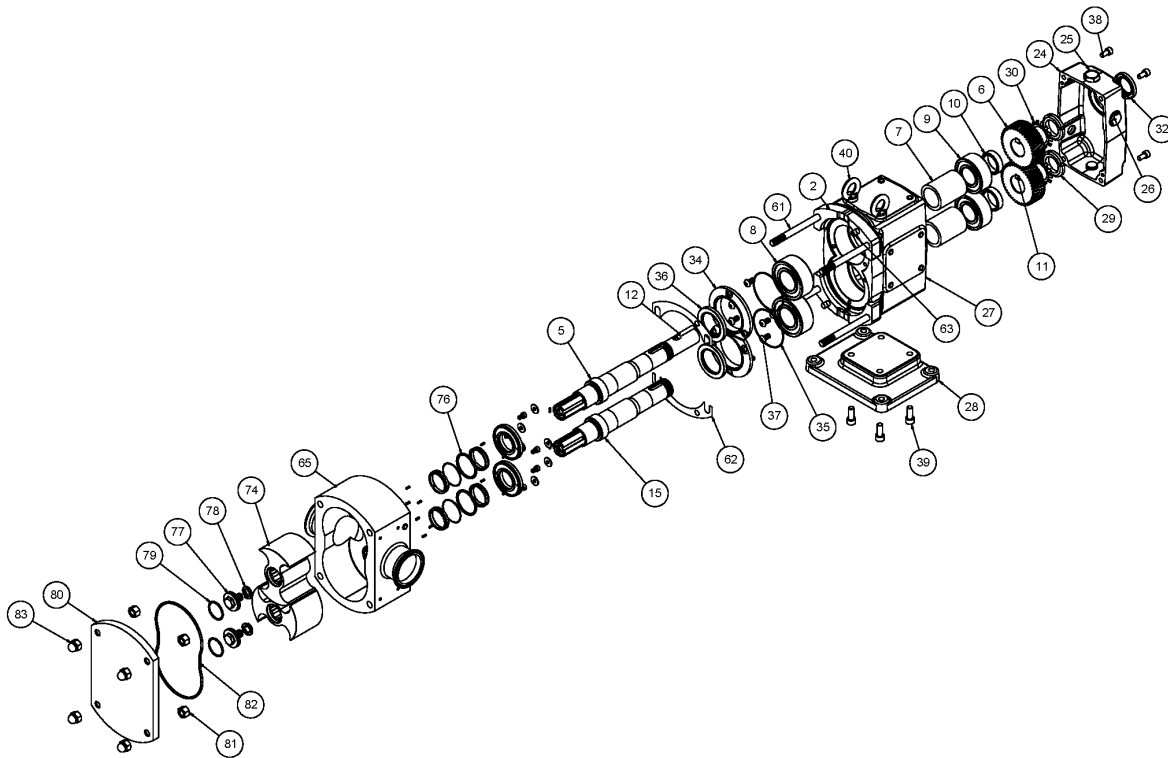
Ref #	Component Item No.	Description	Qty Per
76	E70028	O-RING FOR ROTOR - EPDM	2
	<i>V70028</i>	<i>O-RING FOR ROTOR - VITON</i>	<i>2</i>
103	AL00-BT01-SS	CAP SCREW FOR SEAL RETAINER	4
112	AL10-SE08-SS	SLEEVE, CHROME OXIDE COATED	2
113	AL10-SE05-S3	SS GLAND FOR DOUBLE LIP SEAL FOR PRODUCT	2
	<i>AL10-SE06-S3</i>	<i>SS GLAND FOR TRIPLE LIP SEAL FOR PRODUCT</i>	<i>2</i>
114	<i>V70139</i>	<i>O-RING, DOUBLE LIP SEAL - VITON</i>	<i>2</i>
115	AL10-SE05-S2	DOUBLE LIP SEAL FOR PRODUCT - TEFLON	2
	<i>AL10-SE06-S2</i>	<i>TRIPLE LIP SEAL FOR PRODUCT - TEFLON</i>	<i>2</i>



Heating Jackets

Optional Items Shown in ITALICS

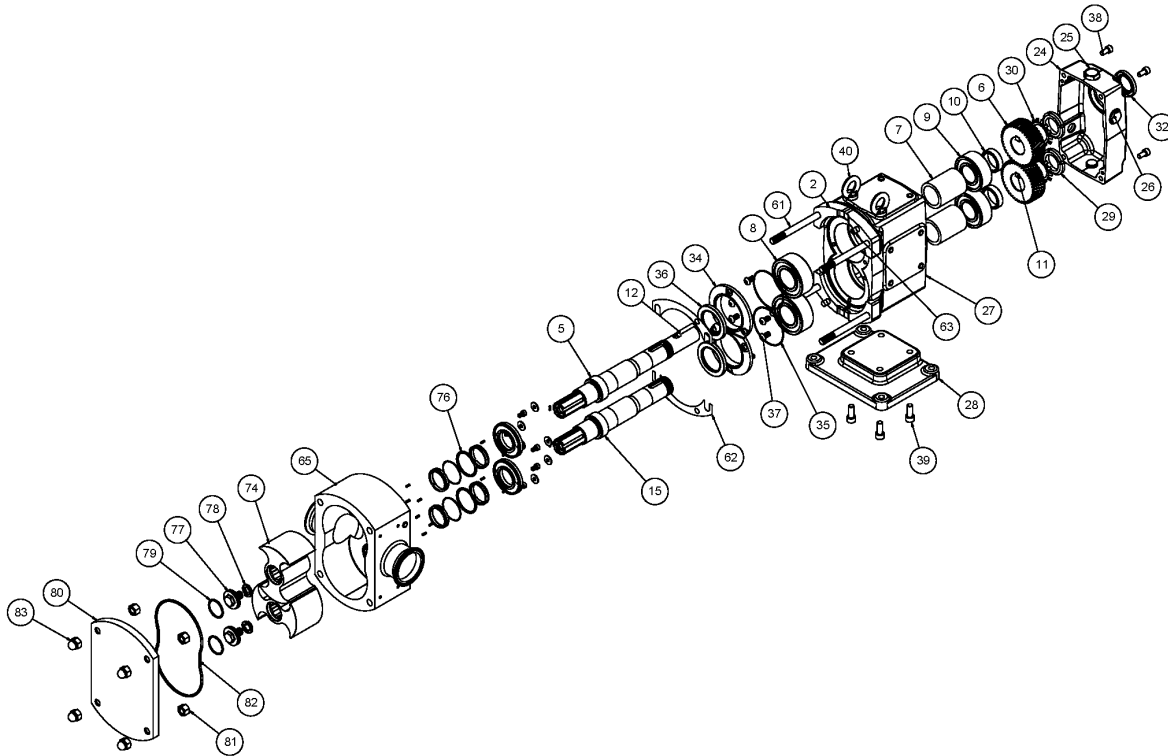
Ref #	Component Item No.	Description	Qty Per
141	AL10-FC07-SS	FRONT COVER WITH JACKET - AL15/20	1
142	AL10-HJ04-SS	CASE HEATING JACKET FOR BODY TOP - AL20	1
	AL10-HJ05-SS	CASE HEATING JACKET FOR BODY BOTTOM - AL20	1
143	AL10-HJ03-SS	CASE HEATING JACKET FOR TUBE ASS'Y - AL10	1



Exploded View

Optional Items Shown in ITALICS

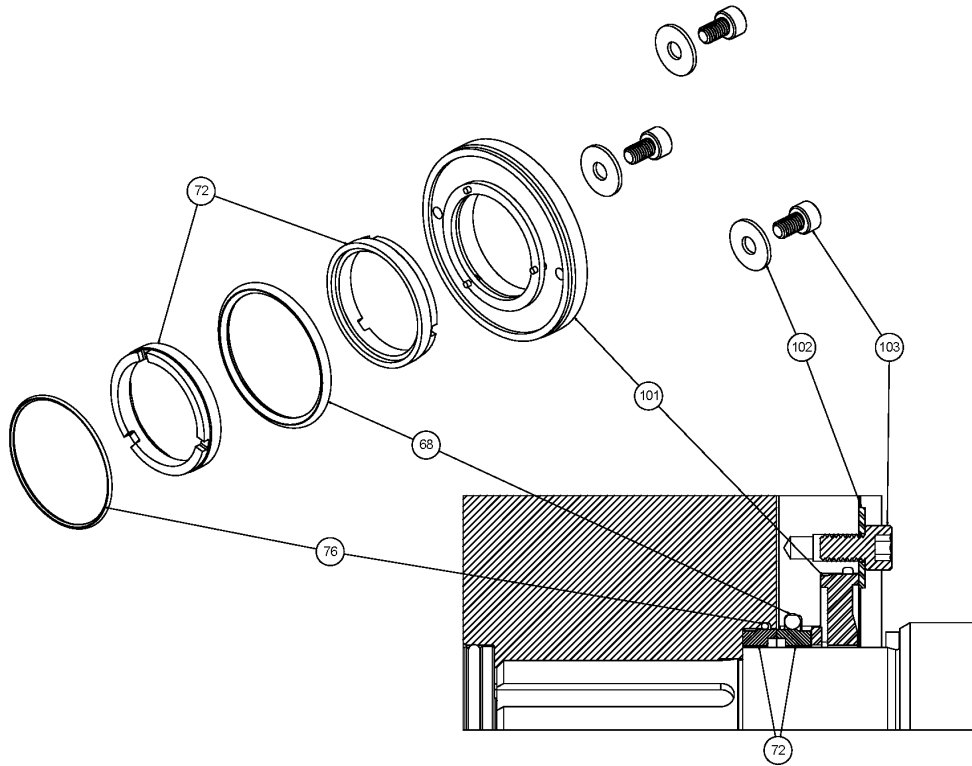
Ref #	Component Item No.	Description	Qty Per
2	AL10-GB03-SS	GEAR BOX - SS	1
5	AL10-SF01-SS	DRIVE SHAFT - AL05/10/15	1
6	AL10-HG01-CS	HELICAL GEAR - LEFT HAND	1
	AL10-HG02-CS	HELICAL GEAR - RIGHT HAND	1
7	AL10-BS01-CS	BEARING SPACER	2
8	AL10-BE01-CC	FRONT BEARING	2
9	AL10-BE02-CS	REAR BEARING	2
10	AL10-GS01-CS	GEAR SPACER	2
11	AL10-GK01-CS	GEAR KEY 8x7x17	2
12	AL10-SK02-CS	SHAFT KEY - 6x6x30	1
13	AL00-PN02-SS	SET PIN FOR DOUBLE SEAL	6
15	AL10-SF02-SS	SHORT SHAFT - AL05/10/15	1
24	AL10-GB04-SS	GEAR BOX COVER - SS	1
25	P1GX115798	HEX PLUG WITH NBR SEAL	2
26	P1GX115799	OIL LEVEL INDICATOR	2
27	AL10-PN05-SS	DOWEL FOR GEAR BOX	2
28	AL10-GB05-SS	GEAR BOX BASE - SS	1
29	AL10-LN01-CS	LOCK NUT	2
30	AL10-LW01-CS	LOCK WASHER	2
32	AL10-OS02-L3	REAR OIL SEAL - NBR	1
34	AL10-OS01-SS	OIL SEAL GLAND	2
35	N70035	O-RING FOR OIL SEAL GLAND - NBR	2
36	AL10-OS01-L3	FRONT OIL SEAL - NBR	2
37	AL10-BT01-SS	CAP SCREW FOR OIL SEAL GLAND	6
38	AL10-BT02-SS	CAP SCREW FOR GEAR BOX COVER	4
39	AL10-BT03-SS	CAP SCREW FOR GEAR BASE	4
40	AL10-BT04-SS	EYEBOLT	2



Exploded View

Optional Items Shown in ITALICS

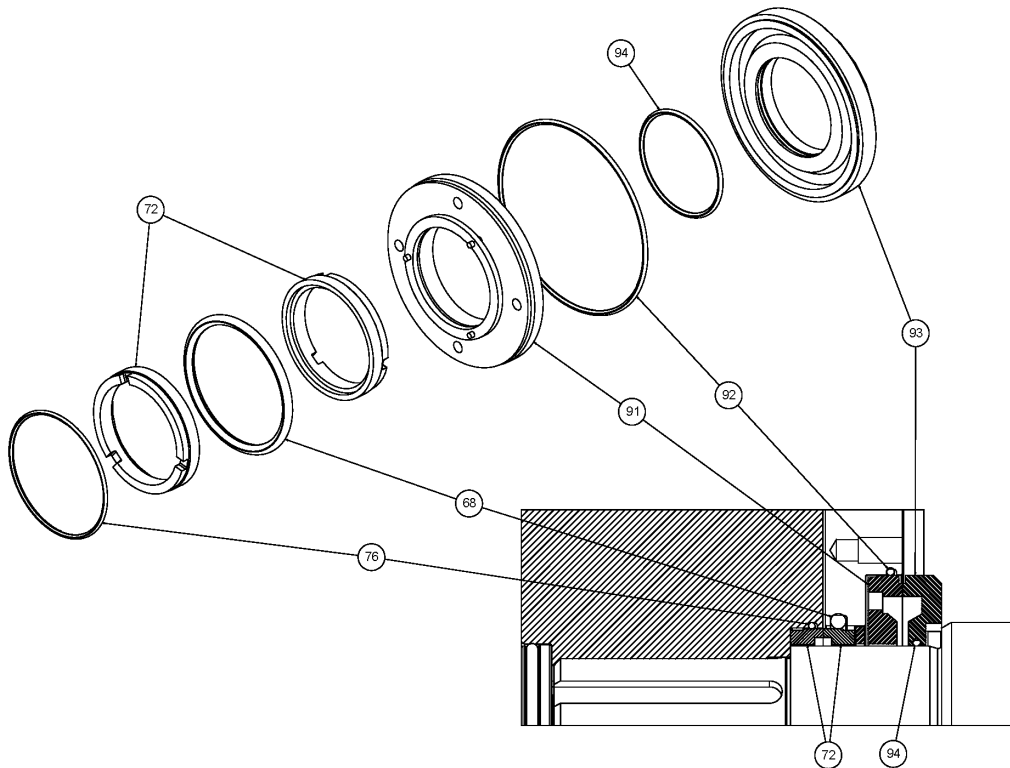
Ref #	Component Item No.	Description	Qty Per
61	AL10-SB01-SS	CASE STUD BOLT - AL15	4
62	AL10-SP01-SS-02	SHIM - 0.002" THICKNESS - AL100 SERIES	2
	AL10-SP01-SS-04	SHIM - 0.004" THICKNESS - AL100 SERIES	2
63	AL10-PN04-SS	DOWEL FOR CASE	2
65	AL10-RC47-SS	ROTOR CASE - AL15	1
74	AL10-RT12-SS-1	ROTOR BI-WING (TOP) - AL15	1
	AL10-RT12-SS-2	ROTOR BI-WING (SIDE) - AL15	1
	<i>AL10-RT12-SS-1H</i>	<i>ROTOR BI-WING (TOP) - AL15 - HOT</i>	1
	<i>AL10-RT12-SS-2H</i>	<i>ROTOR BI-WING (SIDE) - AL15 - HOT</i>	1
	<i>AL10-RT11-SS-1</i>	<i>ROTOR SINGLE-WING - AL15</i>	2
	<i>AL10-RT14-SS-1</i>	<i>ROTOR TRI-LOBE - AL15</i>	2
	<i>AL10-RT14-SS-1H</i>	<i>ROTOR TRI-LOBE - AL15 - HOT</i>	2
76	E70028	O-RING FOR ROTOR - EPDM	2
	<i>V70028</i>	<i>O-RING FOR ROTOR - VITON</i>	2
77	AL10-RB01-SS	ROTOR BOLT - (HEX HEAD)	2
78	AL10-SW01-SS	SPRING WASHER FOR ROTOR BOLT	2
79	E70021	O-RING FOR ROTOR BOLT - EPDM	2
	<i>V70021</i>	<i>O-RING FOR ROTOR BOLT - VITON</i>	2
80	AL10-FC02-SS	FRONT COVER - AL10	1
81	AL10-HN01-SS	HEX NUT/STUD BOLT LOCK	4
82	E70251	O-RING FOR FRONT COVER - AL15/20 - EPDM	1
	<i>V70251</i>	<i>O-RING FOR FRONT COVER - AL15/20 - VITON</i>	1
	<i>TE70251</i>	<i>O-RING FOR FRONT COVER - AL15/20 - TEFLON ENCAP</i>	1
83	AL10-CN01-SS	CAP NUT	4



Single Mechanical Seal

Optional Items Shown in ITALICS

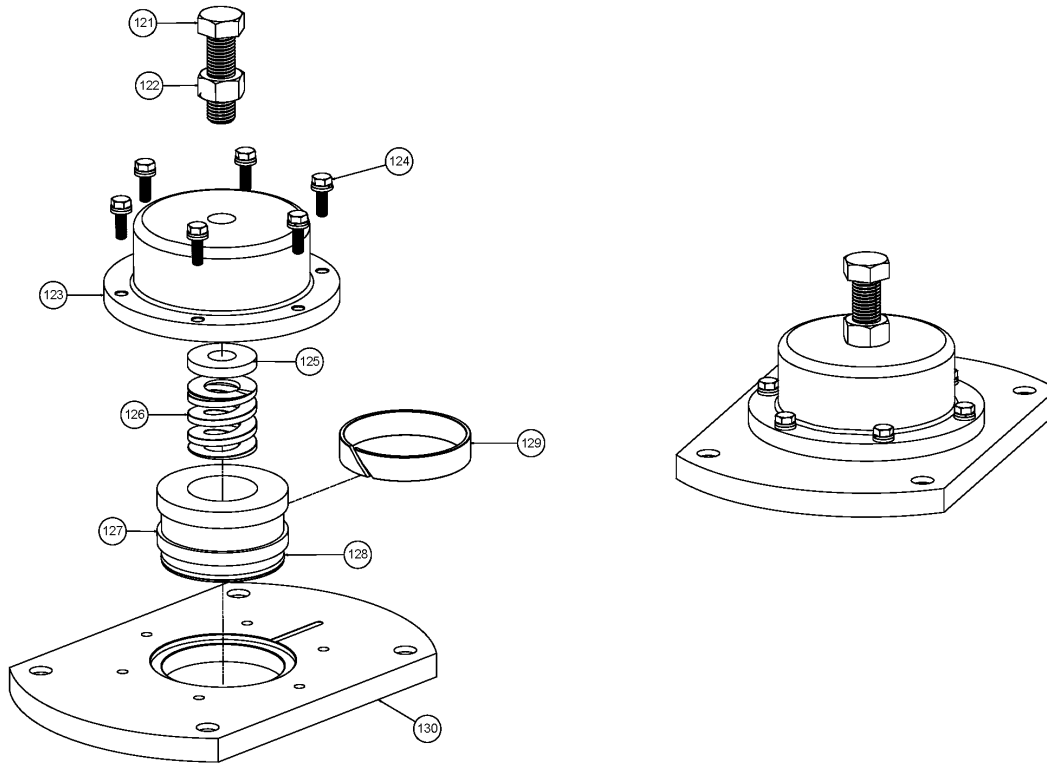
Ref #	Component Item No.	Description	Qty Per
68	E70220	O-RING FOR ROTOR CASE - EPDM	2
	<i>V70220</i>	<i>O-RING FOR ROTOR CASE - VITON</i>	<i>2</i>
72	AL10-SE06-SS	SEAL/MECHANICAL SEAL RING - TC	4
	<i>AL10-SE07-SS</i>	<i>SEAL/MECHANICAL SEAL RING - SC</i>	<i>4</i>
76	E70028	O-RING FOR ROTOR - EPDM	2
	<i>V70028</i>	<i>O-RING FOR ROTOR - VITON</i>	<i>2</i>
101	AL10-SE01-S3	SEAL/SINGLE MECH SEAL BASE	2
102	AL00-WS01-SS	DIN M6 FENDER WASHER	4
103	AL00-BT01-SS	CAP SCREW FOR SEAL RETAINER	4



Double Mechanical Seal

Optional Items Shown in ITALICS

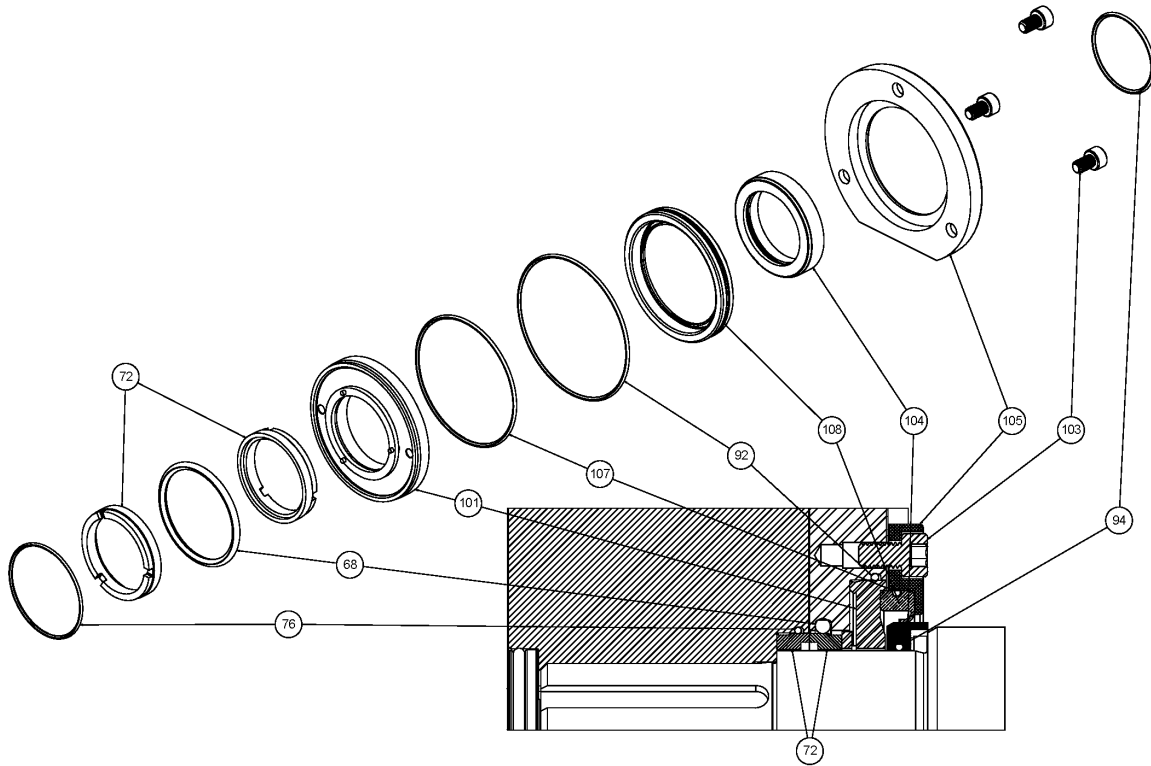
Ref #	Component Item No.	Description	Qty Per
68	E70220	O-RING FOR ROTOR CASE - EPDM	2
	<i>V70220</i>	<i>O-RING FOR ROTOR CASE - VITON</i>	<i>2</i>
72	AL10-SE06-SS	SEAL/MECHANICAL SEAL RING - TC	4
	<i>AL10-SE07-SS</i>	<i>SEAL/MECHANICAL SEAL RING - SC</i>	<i>4</i>
76	E70028	O-RING FOR ROTOR - EPDM	2
	<i>V70028</i>	<i>O-RING FOR ROTOR - VITON</i>	<i>2</i>
91	AL10-SE01-S5	DOUBLE SEAL REAR BASE - SC	2
	<i>AL10-SE01-S6</i>	<i>DOUBLE SEAL REAR BASE - TC</i>	<i>2</i>
92	E70036	O-RING FOR DOUBLE SEAL CASE - EPDM	2
	<i>V70036</i>	<i>O-RING FOR DOUBLE SEAL CASE - VITON</i>	<i>2</i>
93	AL10-SE02-S2	SEAL/FLUSHED SEAL UNIT - SC	2
	<i>AL10-SE02-S1</i>	<i>SEAL/FLUSHED SEAL UNIT - TC</i>	<i>2</i>
94	E70023	O-RING FOR DOUBLE SEAL SHAFT - EPDM	2
	<i>V70023</i>	<i>O-RING FOR DOUBLE SEAL SHAFT - VITON</i>	<i>2</i>



Pressure Relief Cover

Optional Items Shown in ITALICS

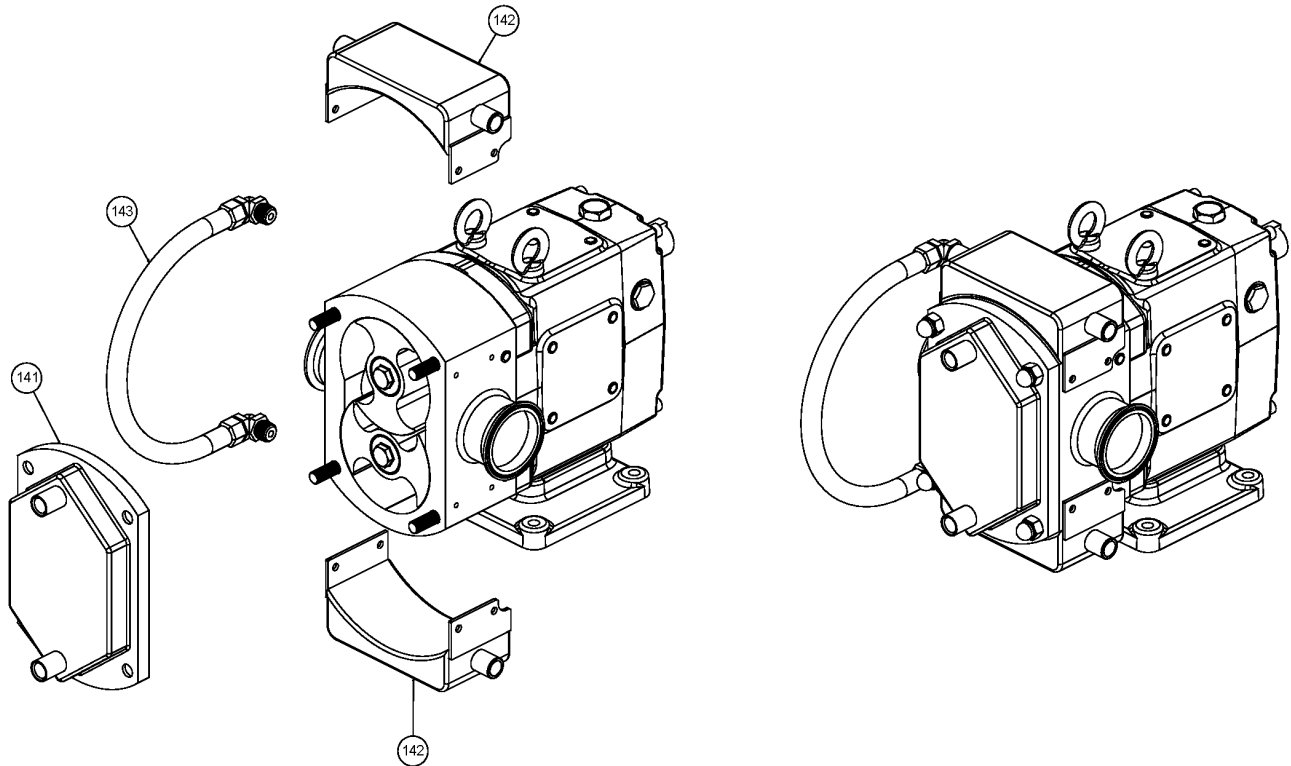
Ref #	Component Item No.	Description	Qty Per
121	GX5515150	ADJUSTING BOLT	1
122	GX5515000	LOCK NUT	1
123	AL10-RH01-SS	HOUSING FOR RELIEF VALVE	1
124	GX5512105	BOLT, HEX HEAD	4
	GX5512010	LOCK WASHER	4
125	AL10-RP02-SS	PISTON FOR ADJUSTING	1
126	AL10-RS03-CS	SPRING	1
127	AL10-RV01-SS	VALVE HEAD	1
128	E70138	O-RING - EPDM	1
	V70138	O-RING - VITON	1
129	E70134	O-RING - EPDM	1
	V70134	O-RING - VITON	1
130	AL10-FC04-SS	FRONT COVER FOR RELIEF VALVE - AL15/20	1



Single Mechanical Seal with Flush

Optional Items Shown in ITALICS

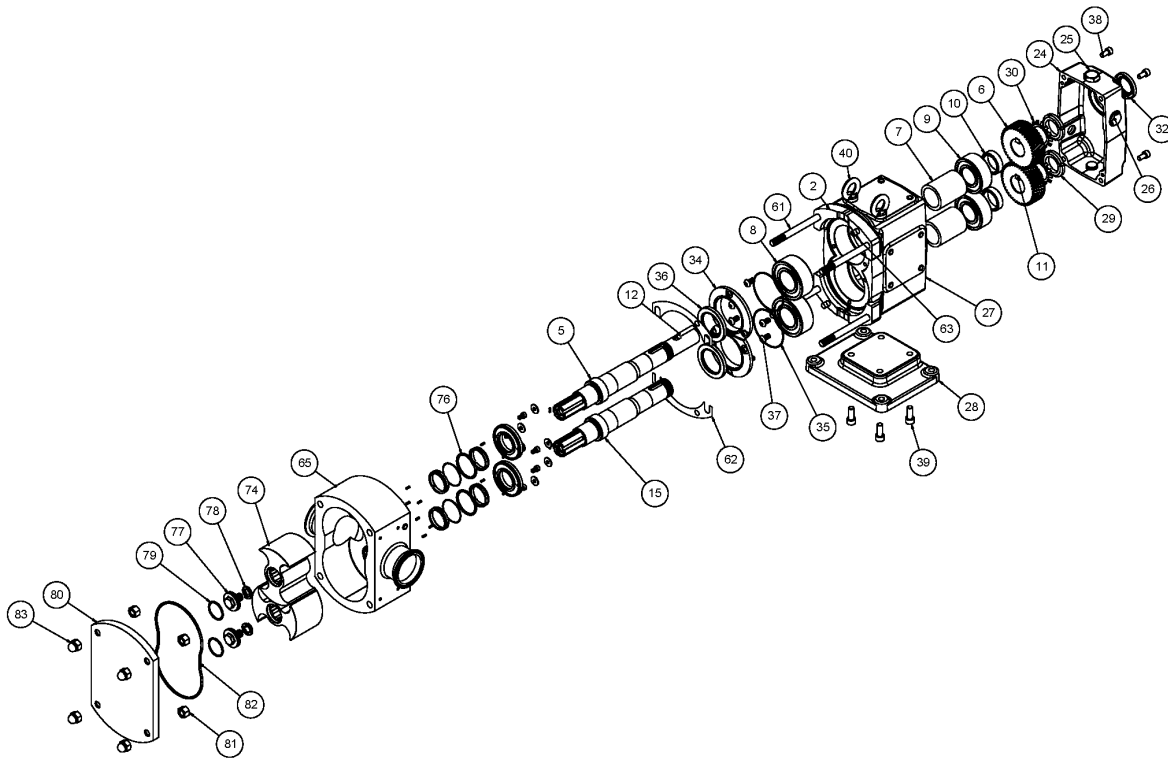
Ref #	Component Item No.	Description	Qty Per
68	E70220	O-RING FOR ROTOR CASE - EPDM	2
	<i>V70220</i>	<i>O-RING FOR ROTOR CASE - VITON</i>	<i>2</i>
72	AL10-SE06-SS	SEAL/MECHANICAL SEAL RING - TC	4
	<i>AL10-SE07-SS</i>	<i>SEAL/MECHANICAL SEAL RING - SC</i>	<i>4</i>
76	E70028	O-RING FOR ROTOR - EPDM	2
	<i>V70028</i>	<i>O-RING FOR ROTOR - VITON</i>	<i>2</i>
92	V70036	O-RING FOR DOUBLE SEAL CASE - VITON	2
	E70036	O-RING FOR DOUBLE SEAL CASE - EPDM	2
94	E70023	O-RING FOR DOUBLE SEAL SHAFT - EPDM	2
	<i>V70023</i>	<i>O-RING FOR DOUBLE SEAL SHAFT - VITON</i>	<i>2</i>
101	AL10-SE01-S3	SEAL/SINGLE MECH SEAL BASE	2
103	AL00-BT01-SS	CAP SCREW FOR SEAL RETAINER	4
104	AL10-FL02-CE	CERMAIC SLEEVE FOR FLUSHING	2
105	AL10-FL03-SS	SS GLAND FOR FLUSHING	2
107	E70033	O-RING FOR FLUSHED LIP - EPDM	2
	<i>V70033</i>	<i>O-RING FOR FLUSHED LIP - VITON</i>	<i>2</i>
108	AL10-FL01-PF	PTFE - LIP SEAL FOR FLUSHING	2



Heating Jackets

Optional Items Shown in ITALICS

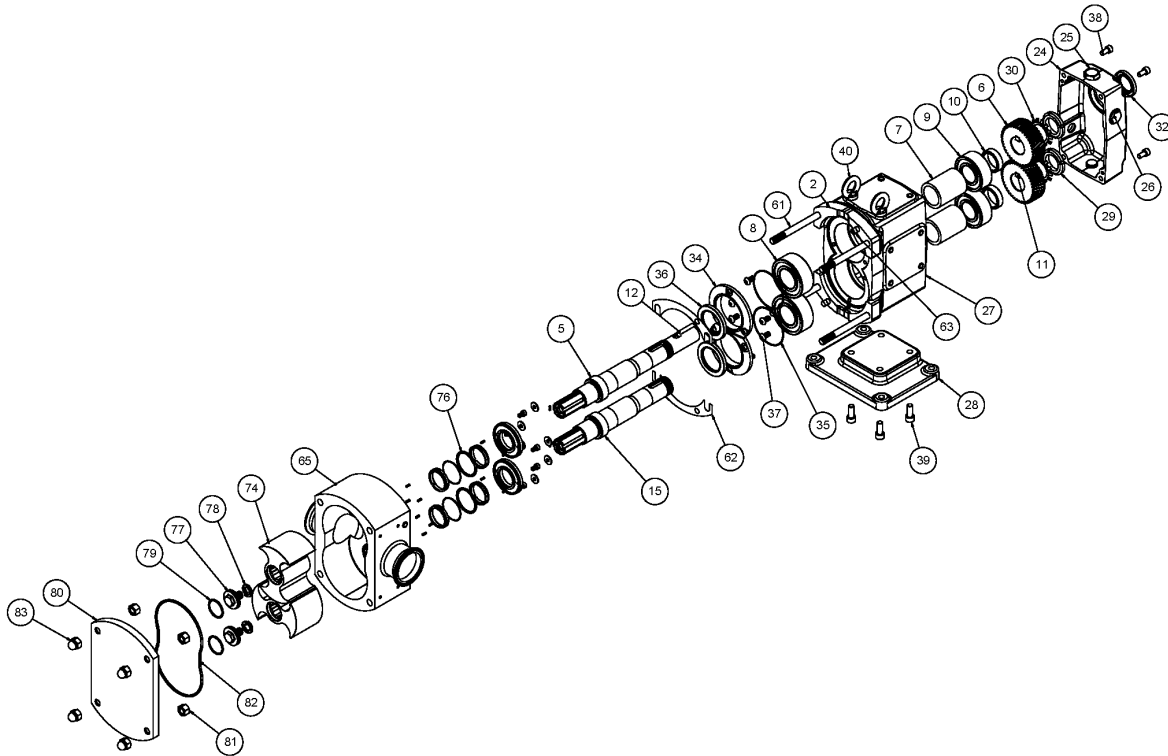
Ref #	Component Item No.	Description	Qty Per
141	AL10-FC07-SS	FRONT COVER WITH JACKET - AL15/20	1
142	AL10-HJ05-SS	CASE HEATING JACKET FOR BODY BOTTOM - AL20	1
	AL10-HJ04-SS	CASE HEATING JACKET FOR BODY TOP - AL20	1
143	AL10-HJ03-SS	CASE HEATING JACKET FOR TUBE ASS'Y - AL10	1



Exploded View

Optional Items Shown in ITALICS

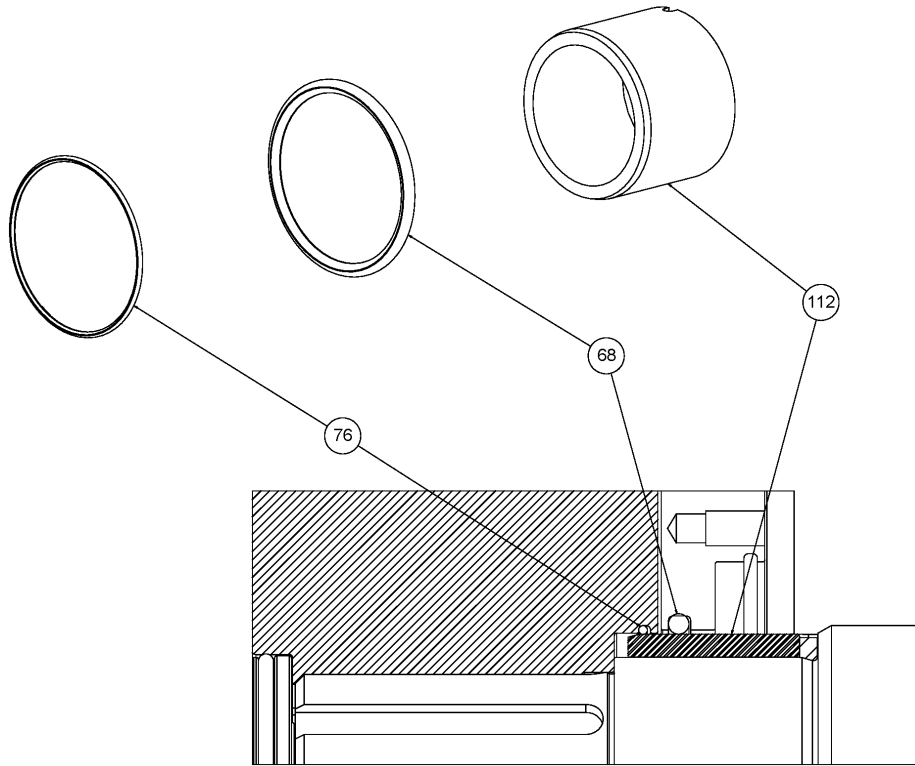
Ref #	Component Item No.	Description	Qty Per
2	AL10-GB03-SS	GEAR BOX - SS	1
5	AL10-SF01-SS	DRIVE SHAFT - AL05/10/15	1
6	AL10-HG02-CS	HELICAL GEAR - RIGHT HAND	1
	AL10-HG01-CS	HELICAL GEAR - LEFT HAND	1
7	AL10-BS01-CS	BEARING SPACER	2
8	AL10-BE01-CC	FRONT BEARING	2
9	AL10-BE02-CS	REAR BEARING	2
10	AL10-GS01-CS	GEAR SPACER	2
11	AL10-GK01-CS	GEAR KEY 8x7x17	2
12	AL10-SK02-CS	SHAFT KEY - 6x6x30	1
13	AL00-PN02-SS	SET PIN FOR DOUBLE SEAL	6
15	AL10-SF02-SS	SHORT SHAFT - AL05/10/15	1
24	AL10-GB04-SS	GEAR BOX COVER - SS	1
25	P1GX115798	HEX PLUG WITH NBR SEAL	2
26	P1GX115799	OIL LEVEL INDICATOR	2
27	AL10-PN05-SS	DOWEL FOR GEAR BOX	2
28	AL10-GB05-SS	GEAR BOX BASE - SS	1
29	AL10-LN01-CS	LOCK NUT	2
30	AL10-LW01-CS	LOCK WASHER	2
32	AL10-OS02-L3	REAR OIL SEAL - NBR	1
34	AL10-OS01-SS	OIL SEAL GLAND	2
35	N70035	O-RING FOR OIL SEAL GLAND - NBR	2
36	AL10-OS01-L3	FRONT OIL SEAL - NBR	2
37	AL10-BT01-SS	CAP SCREW FOR OIL SEAL GLAND	6
38	AL10-BT02-SS	CAP SCREW FOR GEAR BOX COVER	4
39	AL10-BT03-SS	CAP SCREW FOR GEAR BASE	4
40	AL10-BT04-SS	EYEBOLT	2



Exploded View

Optional Items Shown in ITALICS

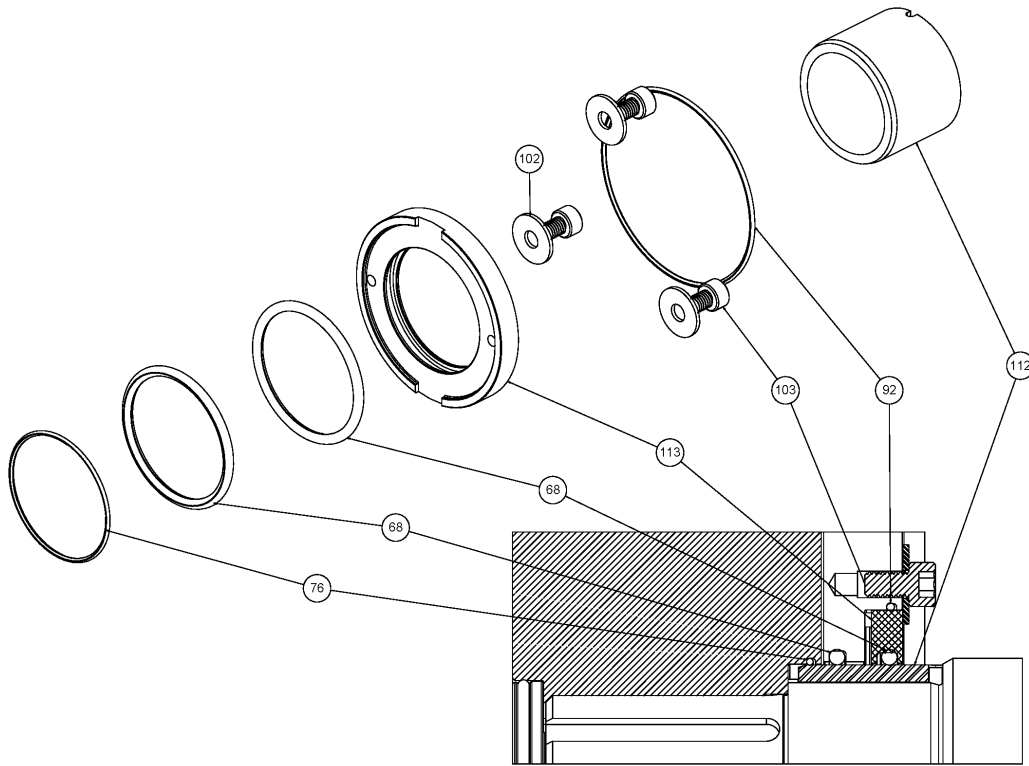
Ref #	Component Item No.	Description	Qty Per
61	AL10-SB01-SS	CASE STUD BOLT - AL15	4
62	AL10-SP01-SS-02	SHIM - 0.002" THICKNESS - AL100 SERIES	2
	AL10-SP01-SS-04	SHIM - 0.004" THICKNESS - AL100 SERIES	2
63	AL10-PN04-SS	DOWEL FOR CASE	2
65	AL10-RC47-SS	ROTOR CASE - AL15	1
74	AL10-RT12-SS-1	ROTOR BI-WING (TOP) - AL15	1
	AL10-RT12-SS-2	ROTOR BI-WING (SIDE) - AL15	1
	<i>AL10-RT12-SS-1H</i>	<i>ROTOR BI-WING (TOP) - AL15 - HOT</i>	1
	<i>AL10-RT12-SS-2H</i>	<i>ROTOR BI-WING (SIDE) - AL15 - HOT</i>	1
	<i>AL10-RT11-SS-1</i>	<i>ROTOR SINGLE-WING - AL15</i>	2
	<i>AL10-RT14-SS-1</i>	<i>ROTOR TRI-LOBE - AL15</i>	2
	<i>AL10-RT14-SS-1H</i>	<i>ROTOR TRI-LOBE - AL15 - HOT</i>	2
76	E70028	O-RING FOR ROTOR - EPDM	2
	<i>V70028</i>	<i>O-RING FOR ROTOR - VITON</i>	2
77	AL10-RB01-SS	ROTOR BOLT - (HEX HEAD)	2
78	AL10-SW01-SS	SPRING WASHER FOR ROTOR BOLT	2
79	E70021	O-RING FOR ROTOR BOLT - EPDM	2
	<i>V70021</i>	<i>O-RING FOR ROTOR BOLT - VITON</i>	2
80	AL10-FC02-SS	FRONT COVER - AL10	1
81	AL10-HN01-SS	HEX NUT/STUD BOLT LOCK	4
82	E70251	O-RING FOR FRONT COVER - AL15/20 - EPDM	1
	<i>V70251</i>	<i>O-RING FOR FRONT COVER - AL15/20 - VITON</i>	1
	<i>TE70251</i>	<i>O-RING FOR FRONT COVER - AL15/20 - TEFLON ENCAP</i>	1
83	AL10-CN01-SS	CAP NUT	4



Single O-Ring Seal

Optional Items Shown in ITALICS

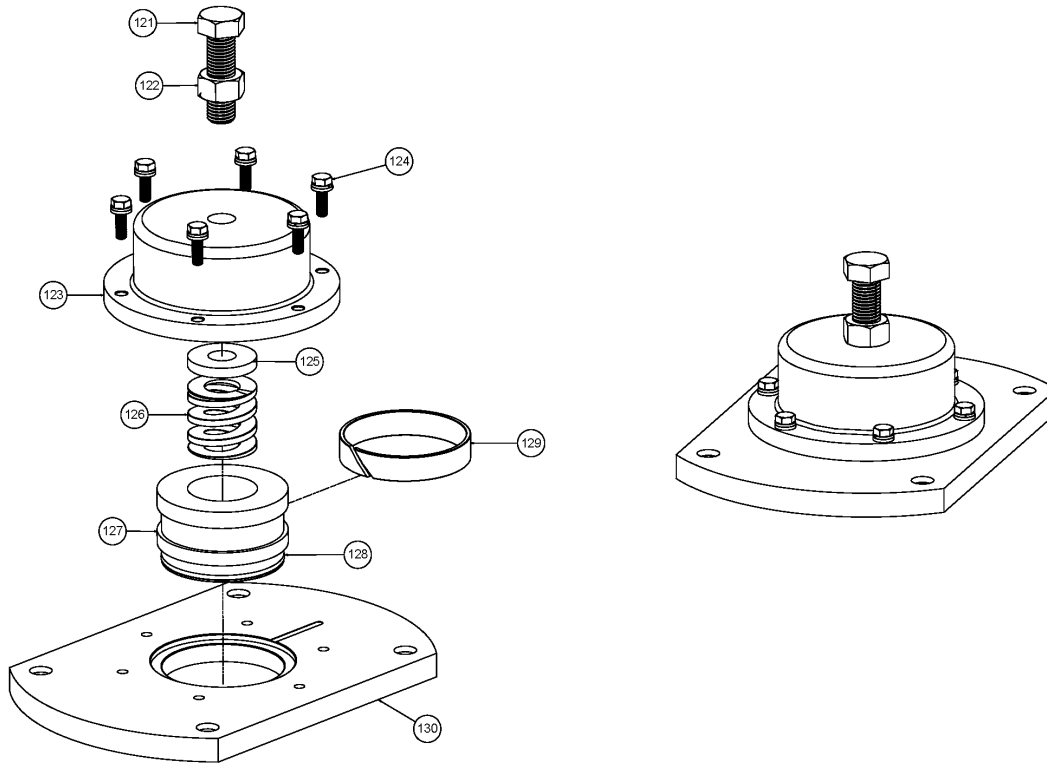
Ref #	Component Item No.	Description	Qty Per
68	E70220	O-RING FOR ROTOR CASE - EPDM	2
	<i>V70220</i>	<i>O-RING FOR ROTOR CASE - VITON</i>	<i>2</i>
76	E70028	O-RING FOR ROTOR - EPDM	2
	<i>V70028</i>	<i>O-RING FOR ROTOR - VITON</i>	<i>2</i>
112	AL10-SE08-SS	SLEEVE, CHROME OXIDE COATED	2



Double O-Ring Seal

Optional Items Shown in ITALICS

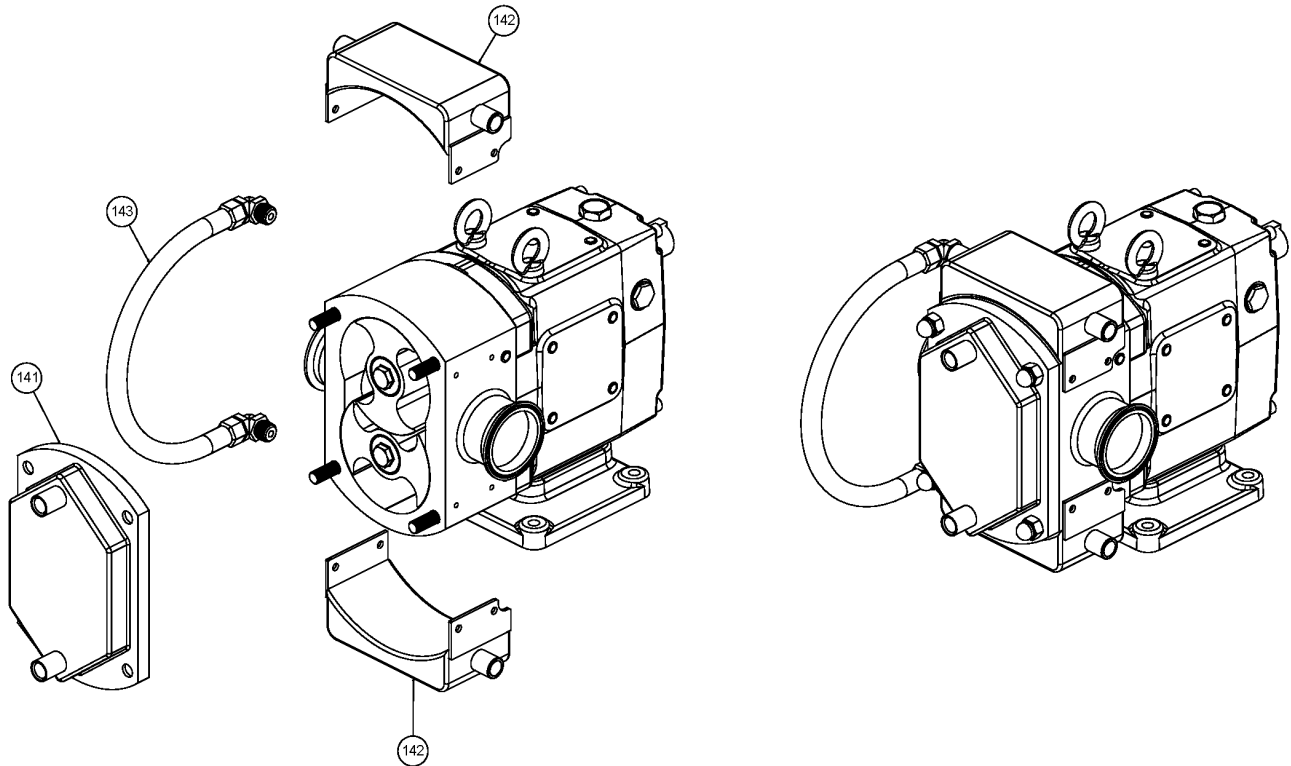
Ref #	Component Item No.	Description	Qty Per
68	E70220	O-RING FOR ROTOR CASE - EPDM	4
	<i>V70220</i>	<i>O-RING FOR ROTOR CASE - VITON</i>	<i>4</i>
76	E70028	O-RING FOR ROTOR - EPDM	2
	<i>V70028</i>	<i>O-RING FOR ROTOR - VITON</i>	<i>2</i>
92	V70036	O-RING FOR DOUBLE SEAL CASE - VITON	2
	E70036	O-RING FOR DOUBLE SEAL CASE - EPDM	2
102	AL00-WS01-SS	DIN M6 FENDER WASHER	4
103	AL00-BT01-SS	CAP SCREW FOR SEAL RETAINER	4
112	AL10-SE08-SS	SLEEVE, CHROME OXIDE COATED	2
113	AL10-OS02-SS	SS GLAND FOR DOUBLE O-RING	2



Pressure Relief Cover

Optional Items Shown in ITALICS

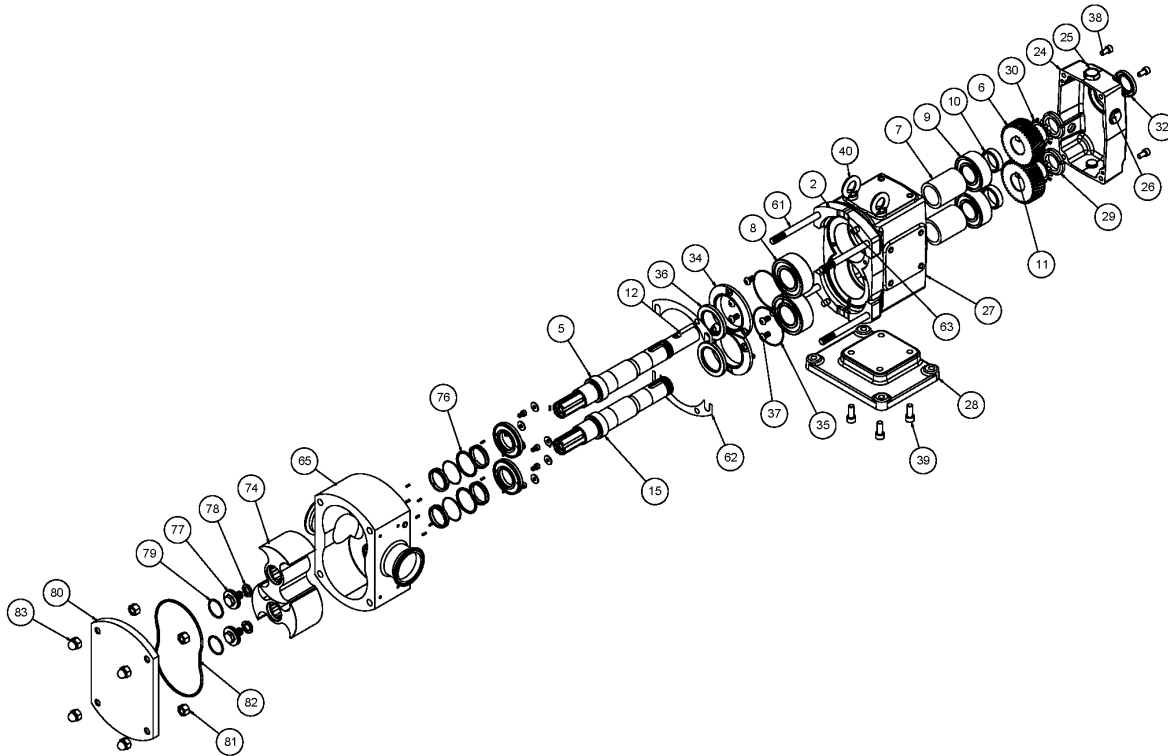
Ref #	Component Item No.	Description	Qty Per
121	GX5515150	ADJUSTING BOLT	1
122	GX5515000	LOCK NUT	1
123	AL10-RH01-SS	HOUSING FOR RELIEF VALVE	1
124	GX5512105	BOLT, HEX HEAD	4
	GX5512010	LOCK WASHER	4
125	AL10-RP02-SS	PISTON FOR ADJUSTING	1
126	AL10-RS03-CS	SPRING	1
127	AL10-RV01-SS	VALVE HEAD	1
128	E70138	O-RING - EPDM	1
	V70138	O-RING - VITON	1
129	E70134	O-RING - EPDM	1
	V70134	O-RING - VITON	1
130	AL10-FC04-SS	FRONT COVER FOR RELIEF VALVE - AL15/20	1



Heating Jackets

Optional Items Shown in ITALICS

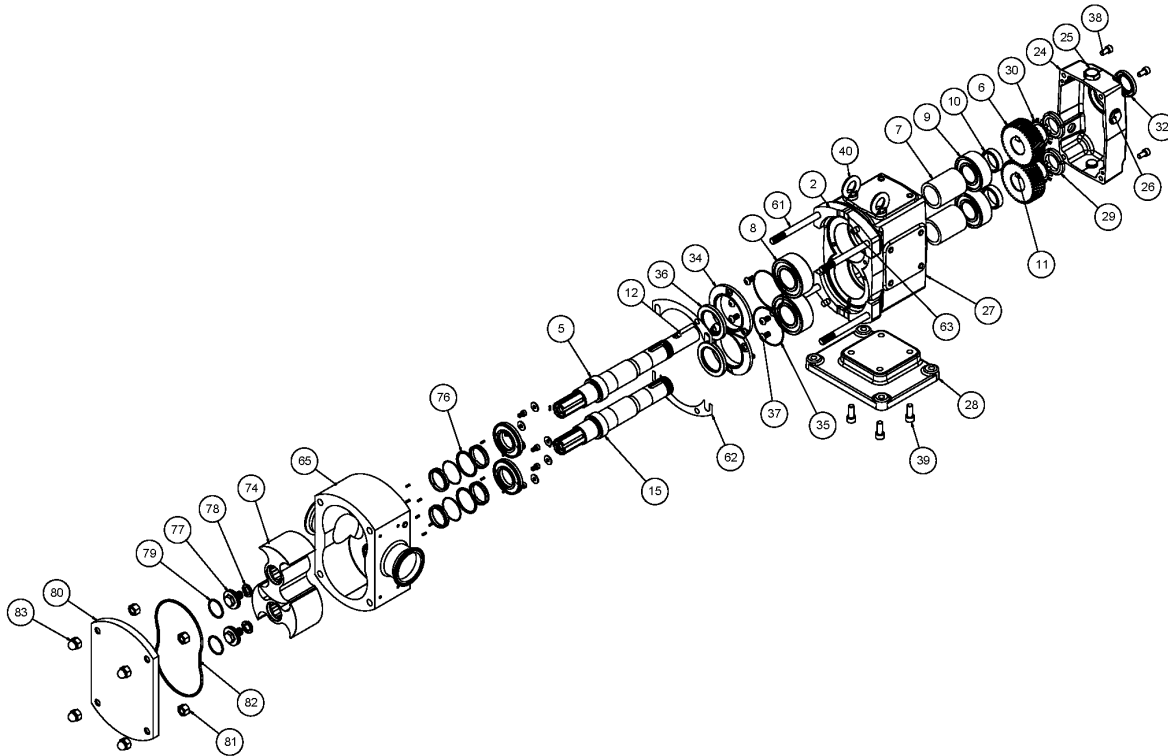
Ref #	Component Item No.	Description	Qty Per
141	AL10-FC07-SS	FRONT COVER WITH JACKET - AL15/20	1
142	AL10-HJ04-SS	CASE HEATING JACKET FOR BODY TOP - AL20	1
	AL10-HJ05-SS	CASE HEATING JACKET FOR BODY BOTTOM - AL20	1
143	AL10-HJ03-SS	CASE HEATING JACKET FOR TUBE ASS'Y - AL10	1



Exploded View

Optional Items Shown in ITALICS

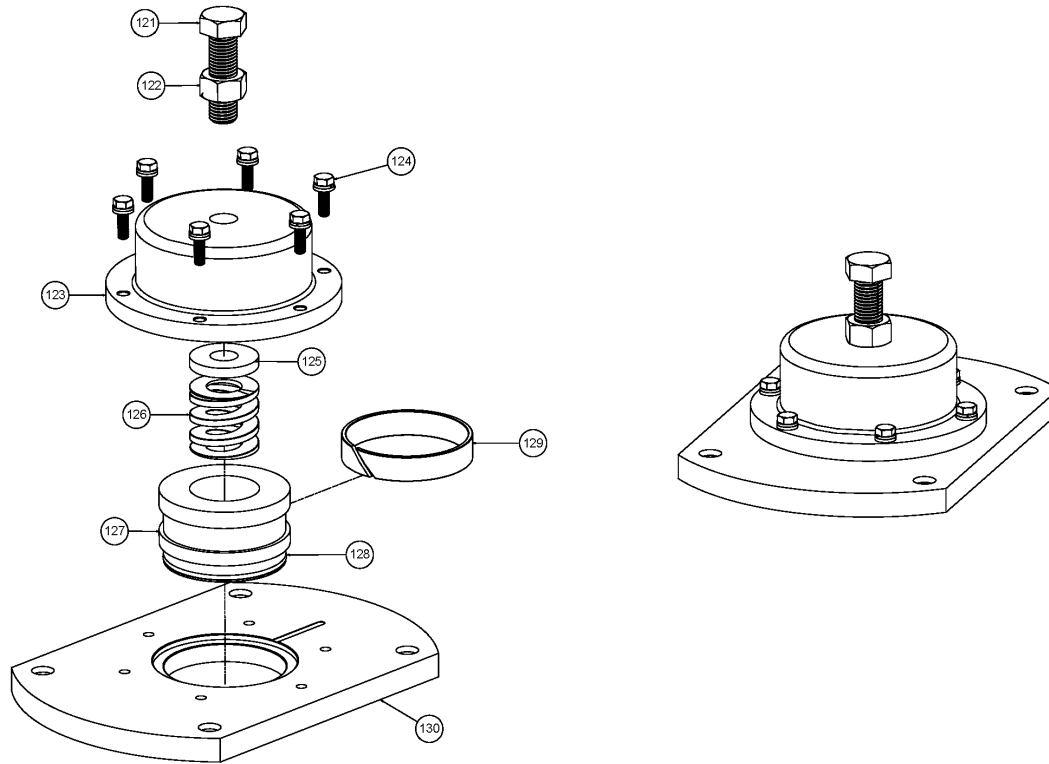
Ref #	Component Item No.	Description	Qty Per
2	AL10-GB03-SS	GEAR BOX - SS	1
5	AL10-SF03-SS	DRIVE SHAFT - AL20	1
6	AL10-HG02-CS	HELICAL GEAR - RIGHT HAND	1
	AL10-HG01-CS	HELICAL GEAR - LEFT HAND	1
7	AL10-BS01-CS	BEARING SPACER	2
8	AL10-BE01-CC	FRONT BEARING	2
9	AL10-BE02-CS	REAR BEARING	2
10	AL10-GS01-CS	GEAR SPACER	2
11	AL10-GK01-CS	GEAR KEY 8x7x17	2
12	AL10-SK02-CS	SHAFT KEY - 6x6x30	1
13	AL00-PN02-SS	SET PIN FOR DOUBLE SEAL	6
15	AL10-SF04-SS	SHORT SHAFT - AL20	1
24	AL10-GB04-SS	GEAR BOX COVER - SS	1
25	P1GX115798	HEX PLUG WITH NBR SEAL	2
26	P1GX115799	OIL LEVEL INDICATOR	2
27	AL10-PN05-SS	DOWEL FOR GEAR BOX	2
28	AL10-GB05-SS	GEAR BOX BASE - SS	1
29	AL10-LN01-CS	LOCK NUT	2
30	AL10-LW01-CS	LOCK WASHER	2
32	AL10-OS02-L3	REAR OIL SEAL - NBR	1
34	AL10-OS01-SS	OIL SEAL GLAND	2
35	N70035	O-RING FOR OIL SEAL GLAND - NBR	2
36	AL10-OS01-L3	FRONT OIL SEAL - NBR	2
37	AL10-BT01-SS	CAP SCREW FOR OIL SEAL GLAND	6
38	AL10-BT02-SS	CAP SCREW FOR GEAR BOX COVER	4
39	AL10-BT03-SS	CAP SCREW FOR GEAR BASE	4
40	AL10-BT04-SS	EYEBOLT	2



Exploded View

Optional Items Shown in ITALICS

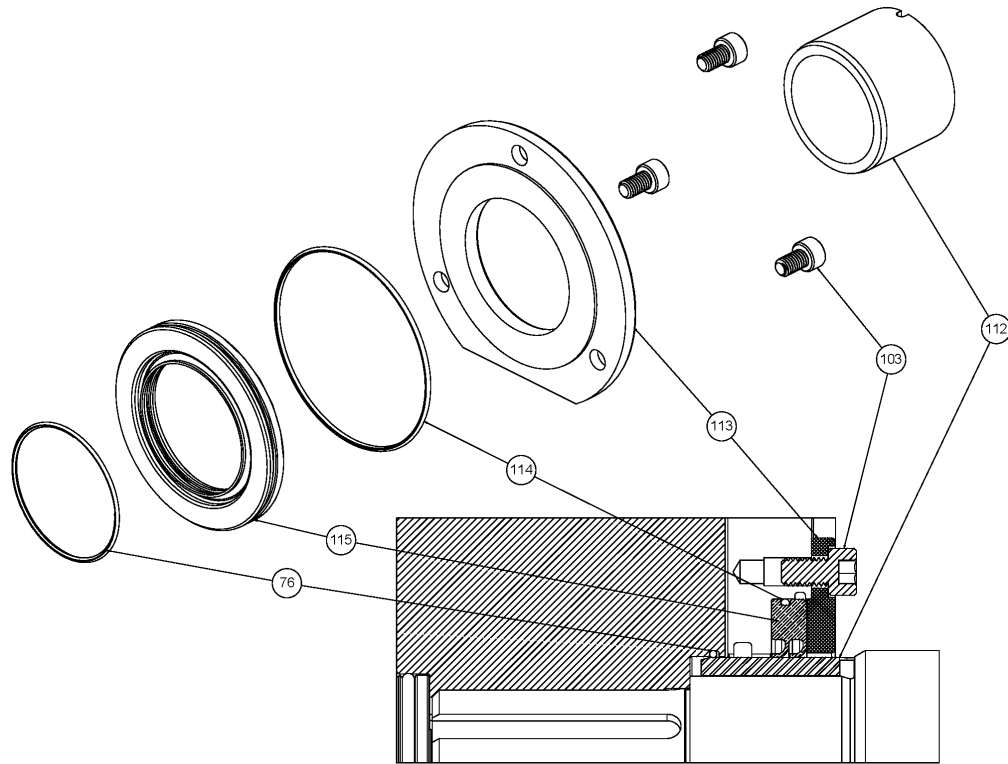
Ref #	Component Item No.	Description	Qty Per
61	AL10-SB02-SS	CASE STUD BOLT - AL20	4
62	AL10-SP01-SS-04	SHIM - 0.004" THICKNESS - AL100 SERIES	2
	AL10-SP01-SS-02	SHIM - 0.002" THICKNESS - AL100 SERIES	2
63	AL10-PN04-SS	DOWEL FOR CASE	2
65	AL10-RC67-SS	ROTOR CASE - AL20	1
74	AL10-RT17-SS-2	ROTOR BI-WING (SIDE) - AL20	1
	AL10-RT17-SS-1	ROTOR BI-WING (TOP) - AL20	1
	<i>AL10-RT16-SS-1</i>	<i>ROTOR SINGLE-WING - AL20</i>	2
	<i>AL10-RT19-SS-1</i>	<i>ROTOR TRI-LOBE - AL20</i>	2
	<i>AL10-RT19-SS-1H</i>	<i>ROTOR TRI-LOBE - AL20 - HOT</i>	2
	<i>AL10-RT20-SS-1</i>	<i>ROTOR MULTI-LOBE - AL20</i>	2
76	E70028	O-RING FOR ROTOR - EPDM	2
	<i>V70028</i>	<i>O-RING FOR ROTOR - VITON</i>	2
77	AL10-RB01-SS	ROTOR BOLT - (HEX HEAD)	2
78	AL10-SW01-SS	SPRING WASHER FOR ROTOR BOLT	2
79	E70021	O-RING FOR ROTOR BOLT - EPDM	2
	<i>V70021</i>	<i>O-RING FOR ROTOR BOLT - VITON</i>	2
80	AL10-FC02-SS	FRONT COVER - AL15/20	1
81	AL10-HN01-SS	HEX NUT/STUD BOLT LOCK	4
82	E70251	O-RING FOR FRONT COVER - AL15/20 - EPDM	1
	<i>V70251</i>	<i>O-RING FOR FRONT COVER - AL15/20 - VITON</i>	1
	<i>TE70251</i>	<i>O-RING FOR FRONT COVER - AL15/20 - TEFLON ENCAP</i>	1
83	AL10-CN01-SS	CAP NUT	4



Pressure Relief Cover

Optional Items Shown in ITALICS

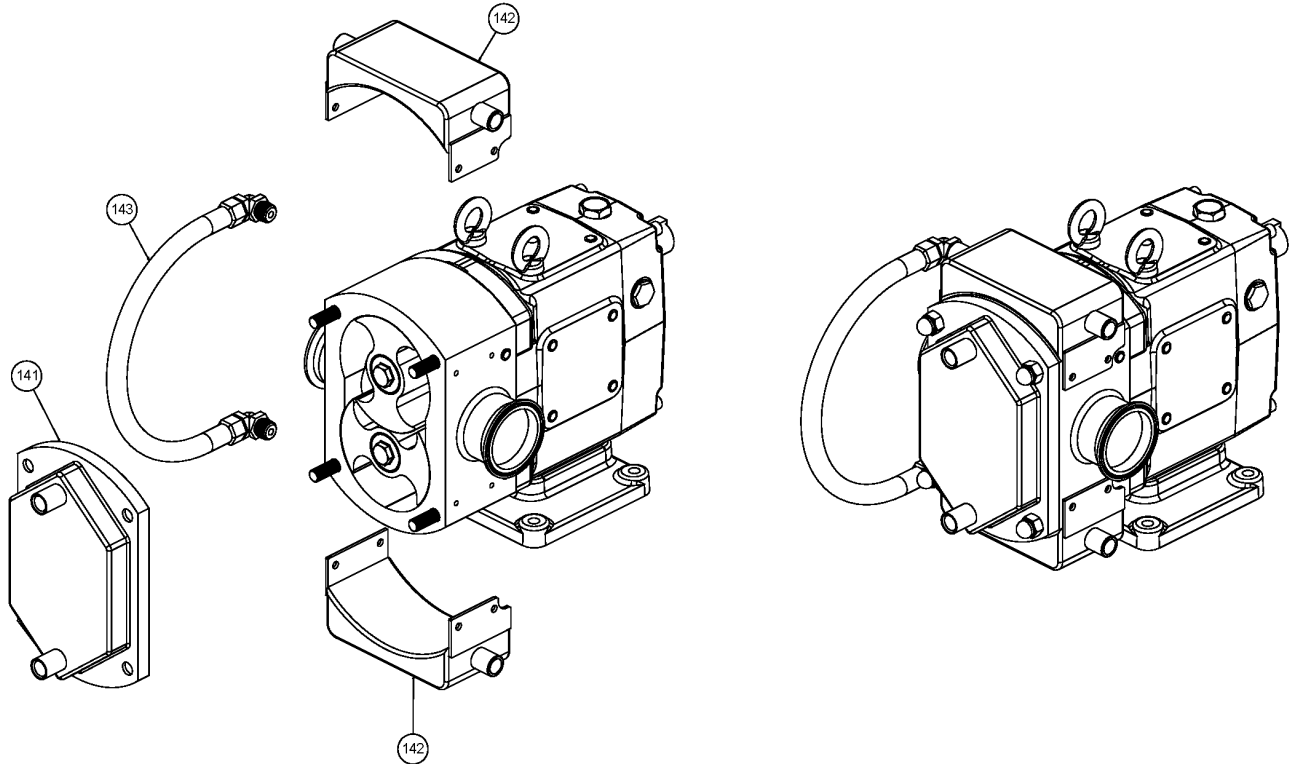
Ref #	Component Item No.	Description	Qty Per
124	GX5512010	LOCK WASHER	4
	GX5512105	BOLT, HEX HEAD	4
125	AL10-RP02-SS	PISTON FOR ADJUSTING	1
126	AL10-RS03-CS	SPRING	1
127	AL10-RV01-SS	VALVE HEAD	1
128	E70138	O-RING - EPDM	1
	V70138	O-RING - VITON	1
129	E70134	O-RING - EPDM	1
	V70134	O-RING - VITON	1
130	AL10-FC04-SS	FRONT COVER FOR RELIEF VALVE - AL15/20	1



Lip Seal

Optional Items Shown in ITALICS

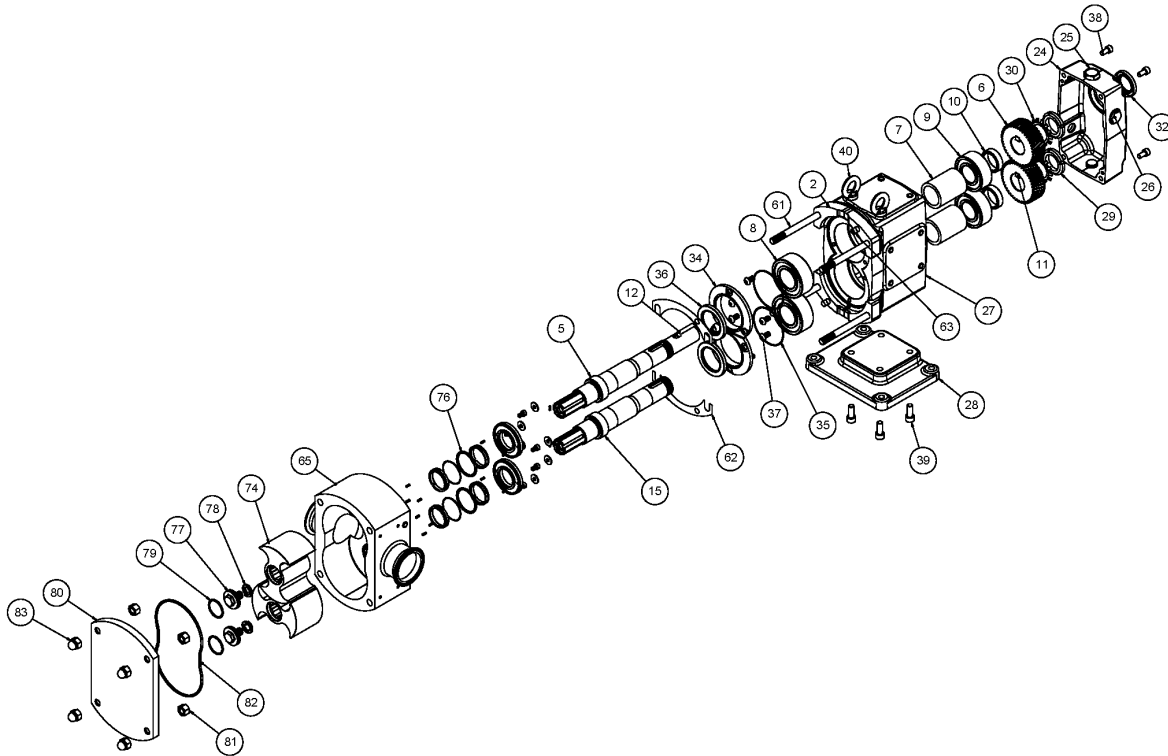
Ref #	Component Item No.	Description	Qty Per
76	E70028	O-RING FOR ROTOR - EPDM	2
	<i>V70028</i>	<i>O-RING FOR ROTOR - VITON</i>	<i>2</i>
103	AL00-BT01-SS	CAP SCREW FOR SEAL RETAINER	4
112	AL10-SE08-SS	SLEEVE, CHROME OXIDE COATED	2
113	AL10-SE05-S3	SS GLAND FOR DOUBLE LIP SEAL FOR PRODUCT	2
	<i>AL10-SE06-S3</i>	<i>SS GLAND FOR TRIPLE LIP SEAL FOR PRODUCT</i>	<i>2</i>
114	<i>V70139</i>	<i>O-RING, DOUBLE LIP SEAL - VITON</i>	<i>2</i>
115	AL10-SE05-S2	DOUBLE LIP SEAL FOR PRODUCT - TEFLON	2
	<i>AL10-SE06-S2</i>	<i>TRIPLE LIP SEAL FOR PRODUCT - TEFLON</i>	<i>2</i>



Heating Jackets

Optional Items Shown in ITALICS

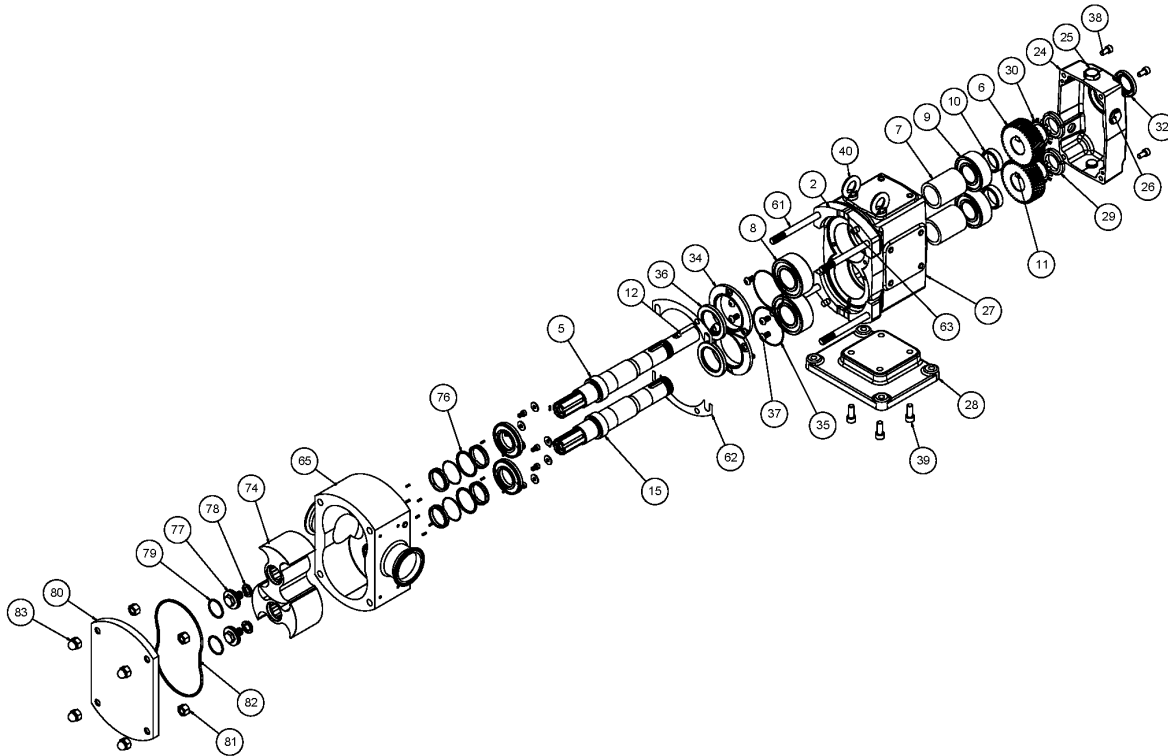
Ref #	Component Item No.	Description	Qty Per
141	AL10-FC07-SS	FRONT COVER WITH JACKET - AL15/20	1
142	AL10-HJ05-SS	CASE HEATING JACKET FOR BODY BOTTOM - AL20	1
	AL10-HJ04-SS	CASE HEATING JACKET FOR BODY TOP - AL20	1
143	AL10-HJ03-SS	CASE HEATING JACKET FOR TUBE ASS'Y - AL10	1



Exploded View

Optional Items Shown in ITALICS

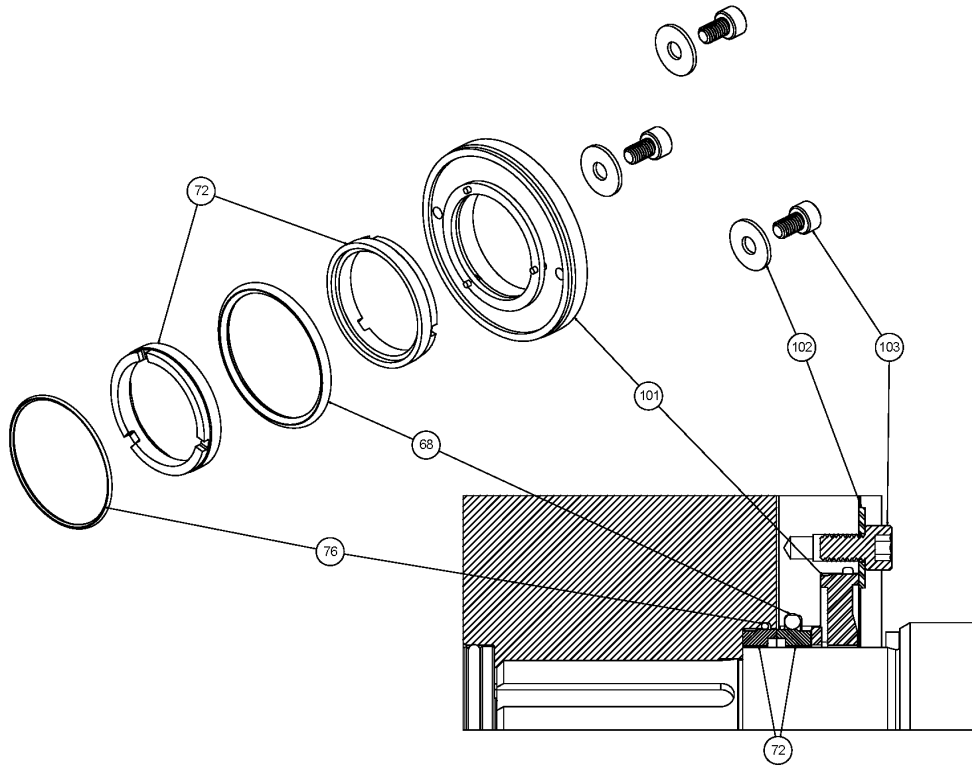
Ref #	Component Item No.	Description	Qty Per
2	AL10-GB03-SS	GEAR BOX - SS	1
5	AL10-SF03-SS	DRIVE SHAFT - AL20	1
6	AL10-HG01-CS	HELICAL GEAR - LEFT HAND	1
	AL10-HG02-CS	HELICAL GEAR - RIGHT HAND	1
7	AL10-BS01-CS	BEARING SPACER	2
8	AL10-BE01-CC	FRONT BEARING	2
9	AL10-BE02-CS	REAR BEARING	2
10	AL10-GS01-CS	GEAR SPACER	2
11	AL10-GK01-CS	GEAR KEY 8x7x17	2
12	AL10-SK02-CS	SHAFT KEY - 6x6x30	1
13	AL00-PN02-SS	SET PIN FOR DOUBLE SEAL	6
15	AL10-SF04-SS	SHORT SHAFT - AL20	1
24	AL10-GB04-SS	GEAR BOX COVER - SS	1
25	P1GX115798	HEX PLUG WITH NBR SEAL	2
26	P1GX115799	OIL LEVEL INDICATOR	2
27	AL10-PN05-SS	DOWEL FOR GEAR BOX	2
28	AL10-GB05-SS	GEAR BOX BASE - SS	1
29	AL10-LN01-CS	LOCK NUT	2
30	AL10-LW01-CS	LOCK WASHER	2
32	AL10-OS02-L3	REAR OIL SEAL - NBR	1
34	AL10-OS01-SS	OIL SEAL GLAND	2
35	N70035	O-RING FOR OIL SEAL GLAND - NBR	2
36	AL10-OS01-L3	FRONT OIL SEAL - NBR	2
37	AL10-BT01-SS	CAP SCREW FOR OIL SEAL GLAND	6
38	AL10-BT02-SS	CAP SCREW FOR GEAR BOX COVER	4
39	AL10-BT03-SS	CAP SCREW FOR GEAR BASE	4
40	AL10-BT04-SS	EYEBOLT	2



Exploded View

Optional Items Shown in ITALICS

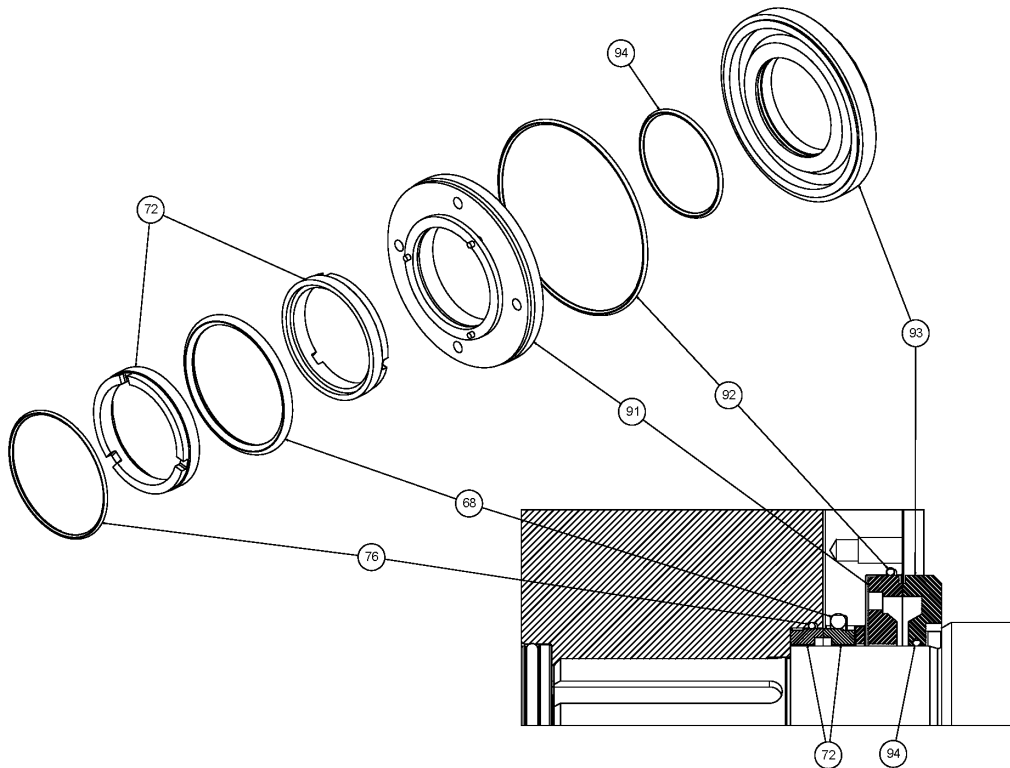
Ref #	Component Item No.	Description	Qty Per
61	AL10-SB02-SS	CASE STUD BOLT - AL20	4
62	AL10-SP01-SS-04	SHIM - 0.004" THICKNESS - AL100 SERIES	2
	AL10-SP01-SS-02	SHIM - 0.002" THICKNESS - AL100 SERIES	2
63	AL10-PN04-SS	DOWEL FOR CASE	2
65	AL10-RC67-SS	ROTOR CASE - AL20	1
74	AL10-RT17-SS-2	ROTOR BI-WING (SIDE) - AL20	1
	AL10-RT17-SS-1	ROTOR BI-WING (TOP) - AL20	1
	<i>AL10-RT16-SS-1</i>	<i>ROTOR SINGLE-WING - AL20</i>	2
	<i>AL10-RT19-SS-1</i>	<i>ROTOR TRI-LOBE - AL20</i>	2
	<i>AL10-RT19-SS-1H</i>	<i>ROTOR TRI-LOBE - AL20 - HOT</i>	2
	<i>AL10-RT20-SS-1</i>	<i>ROTOR MULTI-LOBE - AL20</i>	2
76	E70028	O-RING FOR ROTOR - EPDM	2
	<i>V70028</i>	<i>O-RING FOR ROTOR - VITON</i>	2
77	AL10-RB01-SS	ROTOR BOLT - (HEX HEAD)	2
78	AL10-SW01-SS	SPRING WASHER FOR ROTOR BOLT	2
79	E70021	O-RING FOR ROTOR BOLT - EPDM	2
	<i>V70021</i>	<i>O-RING FOR ROTOR BOLT - VITON</i>	2
80	AL10-FC02-SS	FRONT COVER - AL15/20	1
81	AL10-HN01-SS	HEX NUT/STUD BOLT LOCK	4
82	E70251	O-RING FOR FRONT COVER - AL15/20 - EPDM	1
	<i>V70251</i>	<i>O-RING FOR FRONT COVER - AL15/20 - VITON</i>	1
	<i>TE70251</i>	<i>O-RING FOR FRONT COVER - AL15/20 - TEFLON ENCAP</i>	1
83	AL10-CN01-SS	CAP NUT	4



Single Mechanical Seal

Optional Items Shown in ITALICS

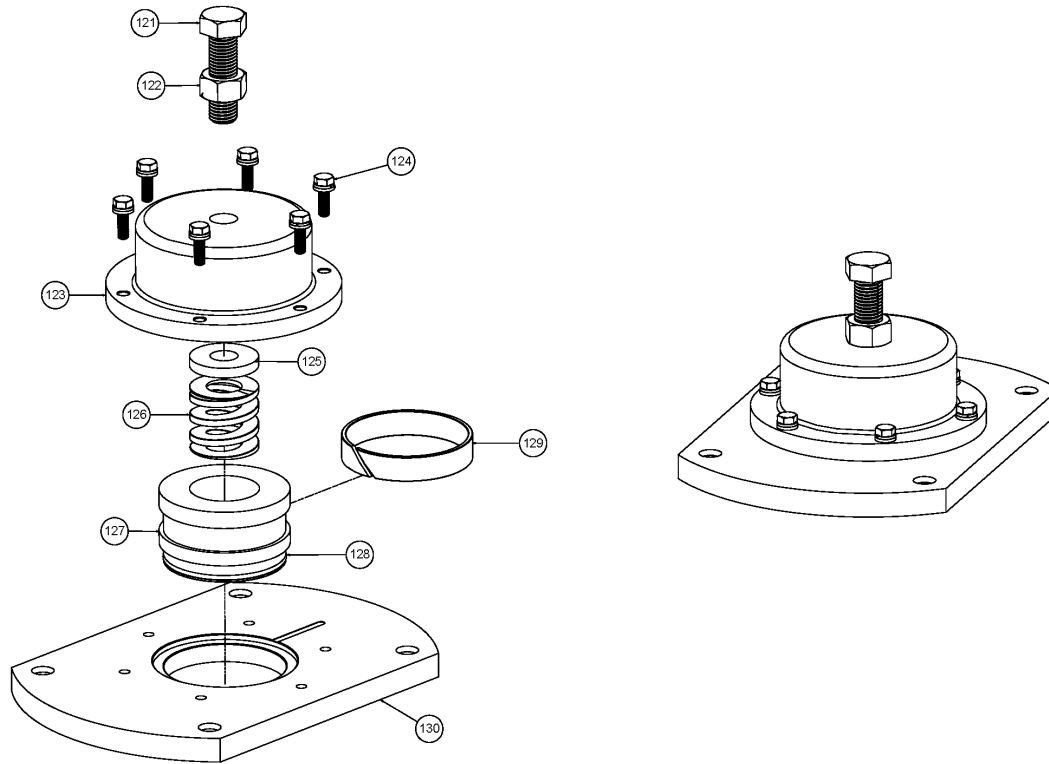
Ref #	Component Item No.	Description	Qty Per
68	E70220	O-RING FOR ROTOR CASE - EPDM	2
	<i>V70220</i>	<i>O-RING FOR ROTOR CASE - VITON</i>	<i>2</i>
72	AL10-SE06-SS	SEAL/MECHANICAL SEAL RING - TC	4
	<i>AL10-SE07-SS</i>	<i>SEAL/MECHANICAL SEAL RING - SC</i>	<i>4</i>
76	E70028	O-RING FOR ROTOR - EPDM	2
	<i>V70028</i>	<i>O-RING FOR ROTOR - VITON</i>	<i>2</i>
101	AL10-SE01-S3	SEAL/SINGLE MECH SEAL BASE	2
102	AL00-WS01-SS	DIN M6 FENDER WASHER	4
103	AL00-BT01-SS	CAP SCREW FOR SEAL RETAINER	4



Double Mechanical Seal

Optional Items Shown in ITALICS

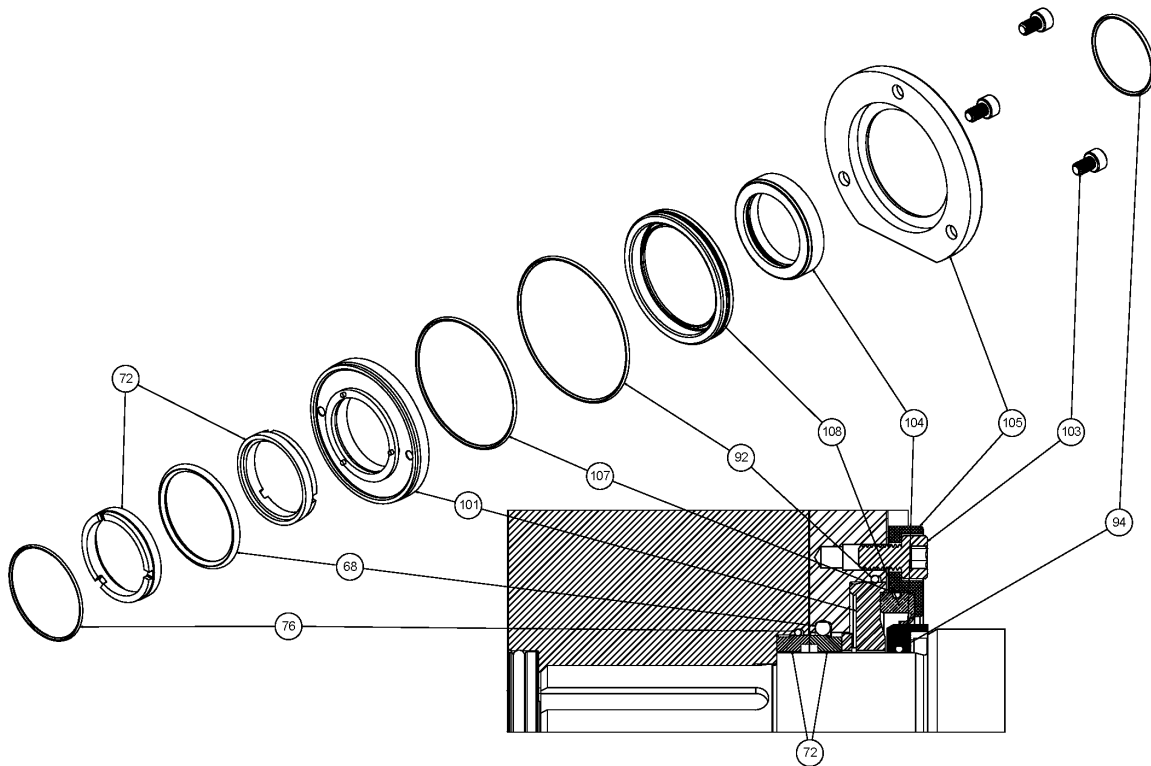
Ref #	Component Item No.	Description	Qty Per
68	E70220	O-RING FOR ROTOR CASE - EPDM	2
	<i>V70220</i>	<i>O-RING FOR ROTOR CASE - VITON</i>	<i>2</i>
72	AL10-SE06-SS	SEAL/MECHANICAL SEAL RING - TC	4
	<i>AL10-SE07-SS</i>	<i>SEAL/MECHANICAL SEAL RING - SC</i>	<i>4</i>
76	E70028	O-RING FOR ROTOR - EPDM	2
	<i>V70028</i>	<i>O-RING FOR ROTOR - VITON</i>	<i>2</i>
91	AL10-SE01-S5	DOUBLE SEAL REAR BASE - SC	2
	<i>AL10-SE01-S6</i>	<i>DOUBLE SEAL REAR BASE - TC</i>	<i>2</i>
92	E70036	O-RING FOR DOUBLE SEAL CASE - EPDM	2
	<i>V70036</i>	<i>O-RING FOR DOUBLE SEAL CASE - VITON</i>	<i>2</i>
93	AL10-SE02-S2	SEAL/FLUSHED SEAL UNIT - SC	2
	<i>AL10-SE02-S1</i>	<i>SEAL/FLUSHED SEAL UNIT - TC</i>	<i>2</i>
94	E70023	O-RING FOR DOUBLE SEAL SHAFT - EPDM	2
	<i>V70023</i>	<i>O-RING FOR DOUBLE SEAL SHAFT - VITON</i>	<i>2</i>



Pressure Relief Cover

Optional Items Shown in ITALICS

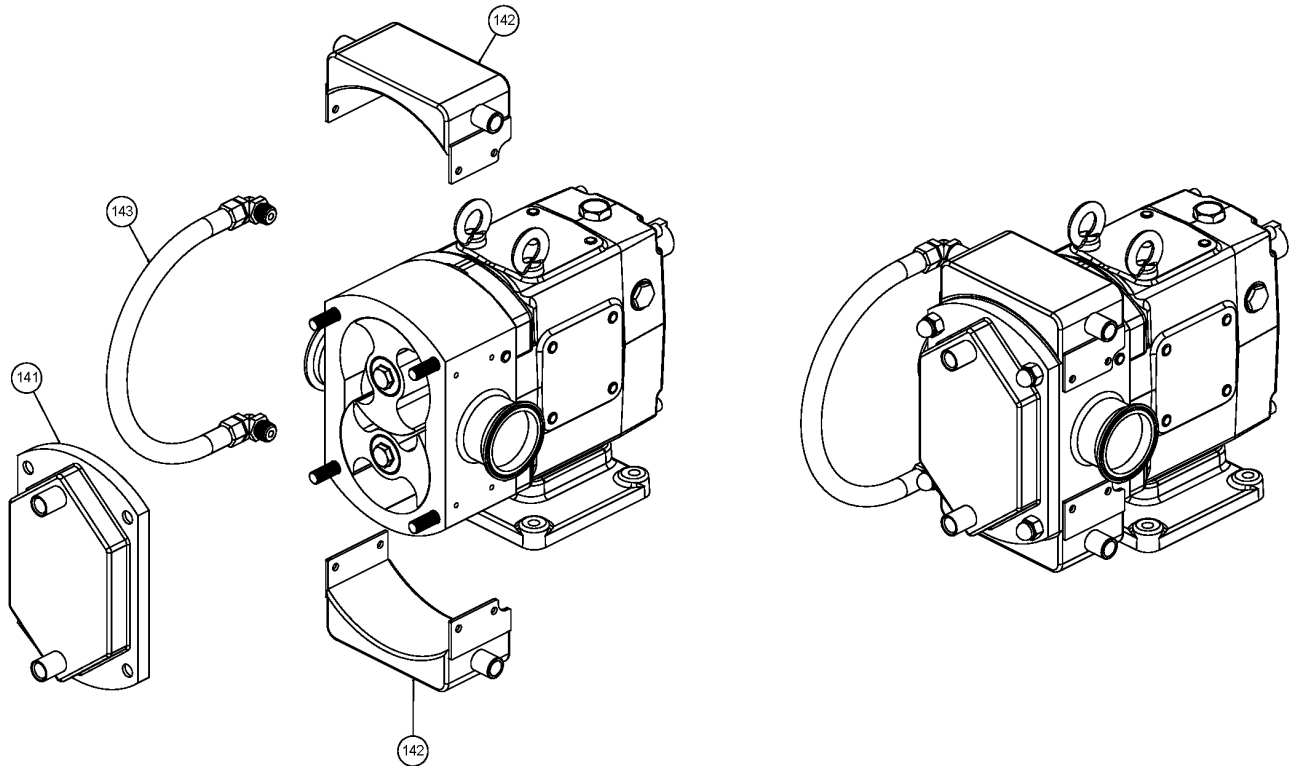
Ref #	Component Item No.	Description	Qty Per
121	GX5515150	ADJUSTING BOLT	1
122	GX5515000	LOCK NUT	1
123	AL10-RH01-SS	HOUSING FOR RELIEF VALVE	1
124	GX5512105	BOLT, HEX HEAD	4
	GX5512010	LOCK WASHER	4
125	AL10-RP02-SS	PISTON FOR ADJUSTING	1
126	AL10-RS03-CS	SPRING	1
127	AL10-RV01-SS	VALVE HEAD	1
128	E70138	O-RING - EPDM	1
	V70138	O-RING - VITON	1
129	E70134	O-RING - EPDM	1
	V70134	O-RING - VITON	1
130	AL10-FC04-SS	FRONT COVER FOR RELIEF VALVE - AL15/20	1



Single Mechanical Seal with Flush

Optional Items Shown in ITALICS

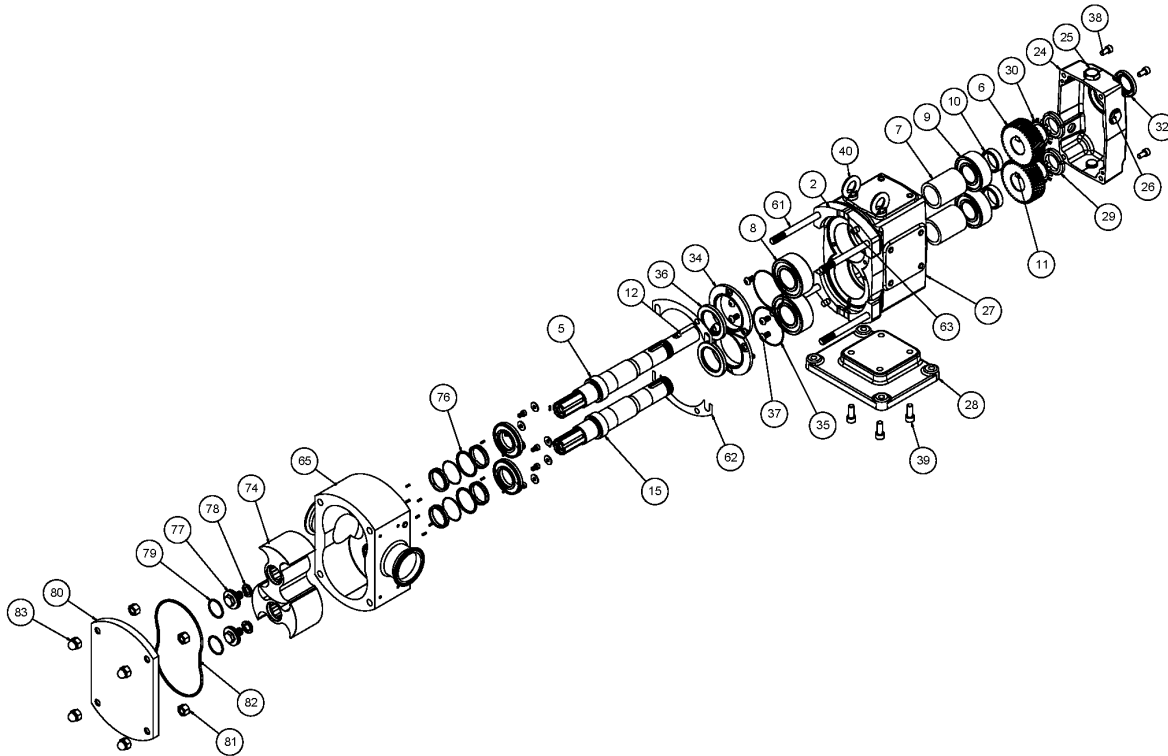
Ref #	Component Item No.	Description	Qty Per
68	E70220	O-RING FOR ROTOR CASE - EPDM	2
	<i>V70220</i>	<i>O-RING FOR ROTOR CASE - VITON</i>	<i>2</i>
72	AL10-SE06-SS	SEAL/MECHANICAL SEAL RING - TC	4
	<i>AL10-SE07-SS</i>	<i>SEAL/MECHANICAL SEAL RING - SC</i>	<i>4</i>
76	E70028	O-RING FOR ROTOR - EPDM	2
	<i>V70028</i>	<i>O-RING FOR ROTOR - VITON</i>	<i>2</i>
92	V70036	O-RING FOR DOUBLE SEAL CASE - VITON	2
	E70036	O-RING FOR DOUBLE SEAL CASE - EPDM	2
94	E70023	O-RING FOR DOUBLE SEAL SHAFT - EPDM	2
	<i>V70023</i>	<i>O-RING FOR DOUBLE SEAL SHAFT - VITON</i>	<i>2</i>
101	AL10-SE01-S3	SEAL/SINGLE MECH SEAL BASE	2
103	AL00-BT01-SS	CAP SCREW FOR SEAL RETAINER	4
104	AL10-FL02-CE	CERMAIC SLEEVE FOR FLUSHING	2
105	AL10-FL03-SS	SS GLAND FOR FLUSHING	2
107	E70033	O-RING FOR FLUSHED LIP - EPDM	2
	<i>V70033</i>	<i>O-RING FOR FLUSHED LIP - VITON</i>	<i>2</i>
108	AL10-FL01-PF	PTFE - LIP SEAL FOR FLUSHING	2



Heating Jackets

Optional Items Shown in ITALICS

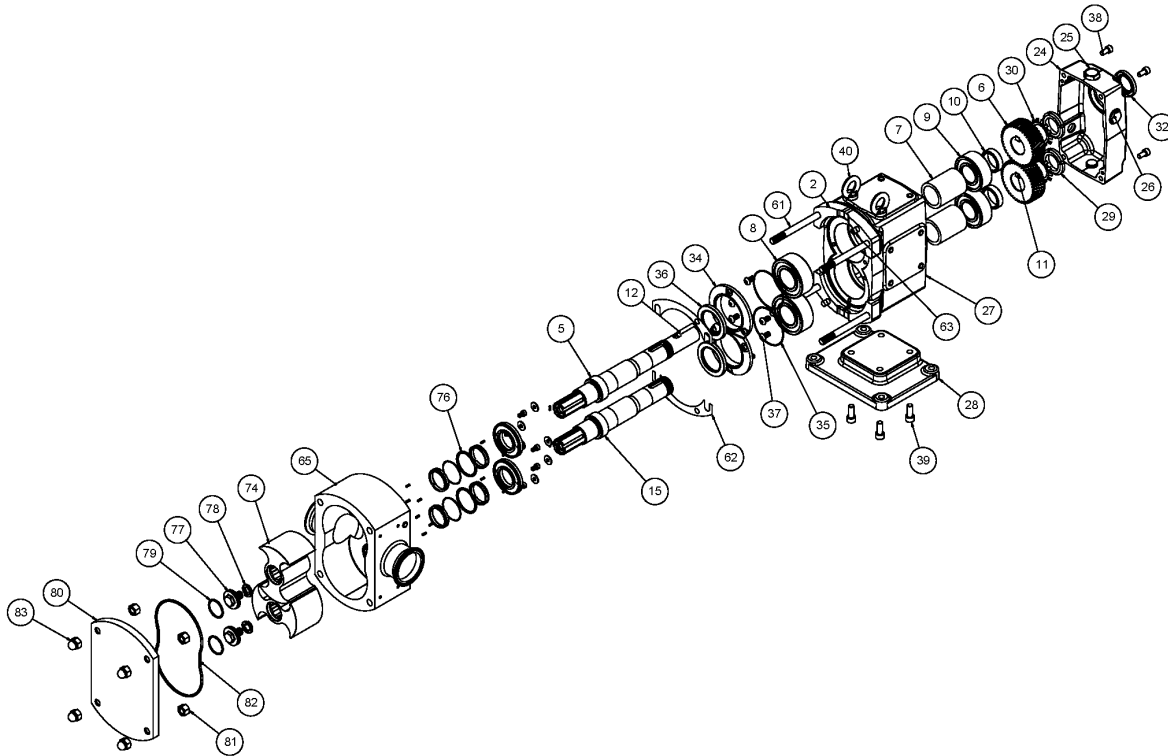
Ref #	Component Item No.	Description	Qty Per
141	AL10-FC07-SS	FRONT COVER WITH JACKET - AL15/20	1
142	AL10-HJ05-SS	CASE HEATING JACKET FOR BODY BOTTOM - AL20	1
	AL10-HJ04-SS	CASE HEATING JACKET FOR BODY TOP - AL20	1
143	AL10-HJ03-SS	CASE HEATING JACKET FOR TUBE ASS'Y - AL10	1



Exploded View

Optional Items Shown in ITALICS

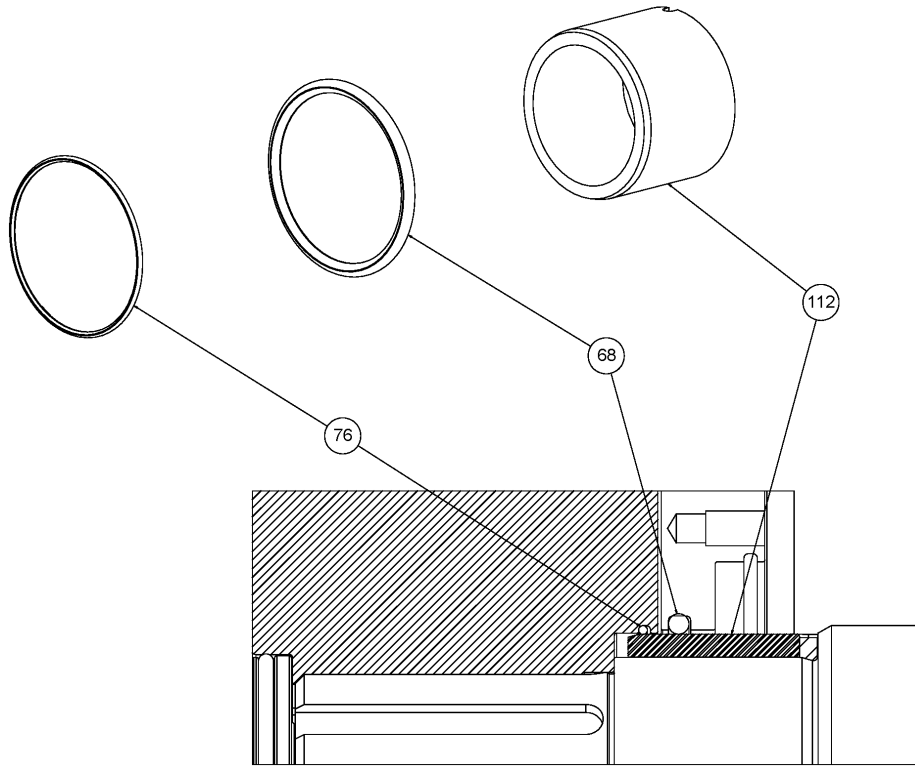
Ref #	Component Item No.	Description	Qty Per
2	AL10-GB03-SS	GEAR BOX - SS	1
5	AL10-SF03-SS	DRIVE SHAFT - AL20	1
6	AL10-HG01-CS	HELICAL GEAR - LEFT HAND	1
	AL10-HG02-CS	HELICAL GEAR - RIGHT HAND	1
7	AL10-BS01-CS	BEARING SPACER	2
8	AL10-BE01-CC	FRONT BEARING	2
9	AL10-BE02-CS	REAR BEARING	2
10	AL10-GS01-CS	GEAR SPACER	2
11	AL10-GK01-CS	GEAR KEY 8x7x17	2
12	AL10-SK02-CS	SHAFT KEY - 6x6x30	1
13	AL00-PN02-SS	SET PIN FOR DOUBLE SEAL	6
15	AL10-SF04-SS	SHORT SHAFT - AL20	1
24	AL10-GB04-SS	GEAR BOX COVER - SS	1
25	P1GX115798	HEX PLUG WITH NBR SEAL	2
26	P1GX115799	OIL LEVEL INDICATOR	2
27	AL10-PN05-SS	DOWEL FOR GEAR BOX	2
28	AL10-GB05-SS	GEAR BOX BASE - SS	1
29	AL10-LN01-CS	LOCK NUT	2
30	AL10-LW01-CS	LOCK WASHER	2
32	AL10-OS02-L3	REAR OIL SEAL - NBR	1
34	AL10-OS01-SS	OIL SEAL GLAND	2
35	N70035	O-RING FOR OIL SEAL GLAND - NBR	2
36	AL10-OS01-L3	FRONT OIL SEAL - NBR	2
37	AL10-BT01-SS	CAP SCREW FOR OIL SEAL GLAND	6
38	AL10-BT02-SS	CAP SCREW FOR GEAR BOX COVER	4
39	AL10-BT03-SS	CAP SCREW FOR GEAR BASE	4
40	AL10-BT04-SS	EYEBOLT	2



Exploded View

Optional Items Shown in ITALICS

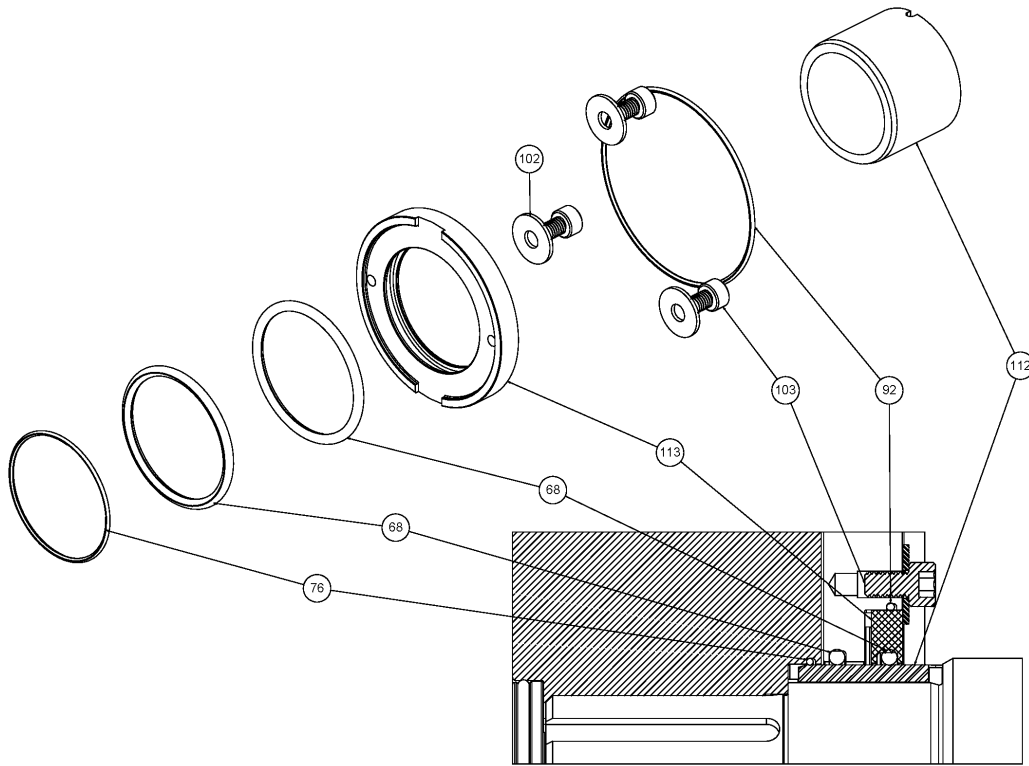
Ref #	Component Item No.	Description	Qty Per
61	AL10-SB02-SS	CASE STUD BOLT - AL20	4
62	AL10-SP01-SS-04	SHIM - 0.004" THICKNESS - AL100 SERIES	2
	AL10-SP01-SS-02	SHIM - 0.002" THICKNESS - AL100 SERIES	2
63	AL10-PN04-SS	DOWEL FOR CASE	2
65	AL10-RC67-SS	ROTOR CASE - AL20	1
74	AL10-RT17-SS-2	ROTOR BI-WING (SIDE) - AL20	1
	AL10-RT17-SS-1	ROTOR BI-WING (TOP) - AL20	1
	<i>AL10-RT16-SS-1</i>	<i>ROTOR SINGLE-WING - AL20</i>	2
	<i>AL10-RT19-SS-1</i>	<i>ROTOR TRI-LOBE - AL20</i>	2
	<i>AL10-RT19-SS-1H</i>	<i>ROTOR TRI-LOBE - AL20 - HOT</i>	2
	<i>AL10-RT20-SS-1</i>	<i>ROTOR MULTI-LOBE - AL20</i>	2
76	E70028	O-RING FOR ROTOR - EPDM	2
	<i>V70028</i>	<i>O-RING FOR ROTOR - VITON</i>	2
77	AL10-RB01-SS	ROTOR BOLT - (HEX HEAD)	2
78	AL10-SW01-SS	SPRING WASHER FOR ROTOR BOLT	2
79	E70021	O-RING FOR ROTOR BOLT - EPDM	2
	<i>V70021</i>	<i>O-RING FOR ROTOR BOLT - VITON</i>	2
80	AL10-FC02-SS	FRONT COVER - AL15/20	1
81	AL10-HN01-SS	HEX NUT/STUD BOLT LOCK	4
82	E70251	O-RING FOR FRONT COVER - AL15/20 - EPDM	1
	<i>V70251</i>	<i>O-RING FOR FRONT COVER - AL15/20 - VITON</i>	1
	<i>TE70251</i>	<i>O-RING FOR FRONT COVER - AL15/20 - TEFLON ENCAP</i>	1
83	AL10-CN01-SS	CAP NUT	4



Single O-Ring Seal

Optional Items Shown in ITALICS

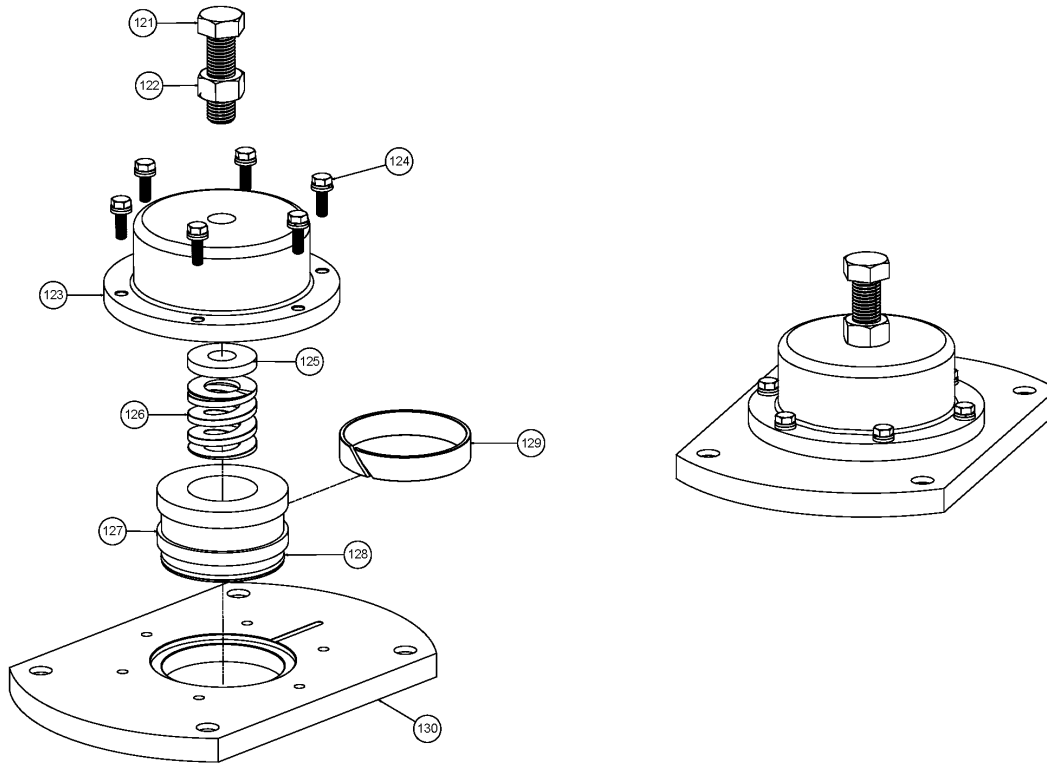
Ref #	Component Item No.	Description	Qty Per
68	E70220	O-RING FOR ROTOR CASE - EPDM	2
	<i>V70220</i>	<i>O-RING FOR ROTOR CASE - VITON</i>	<i>2</i>
76	E70028	O-RING FOR ROTOR - EPDM	2
	<i>V70028</i>	<i>O-RING FOR ROTOR - VITON</i>	<i>2</i>
112	AL10-SE08-SS	SLEEVE, CHROME OXIDE COATED	2



Double O-Ring Seal

Optional Items Shown in ITALICS

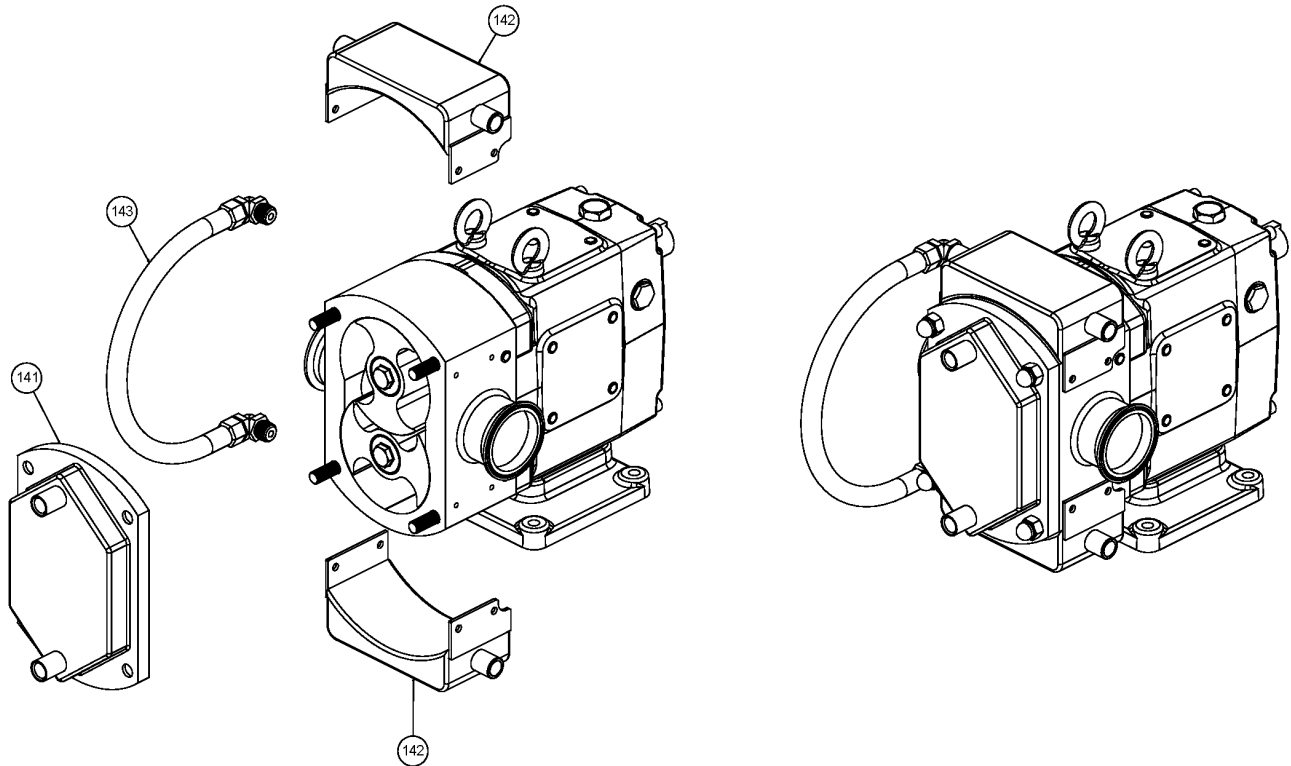
Ref #	Component Item No.	Description	Qty Per
68	E70220	O-RING FOR ROTOR CASE - EPDM	4
	<i>V70220</i>	<i>O-RING FOR ROTOR CASE - VITON</i>	<i>4</i>
76	E70028	O-RING FOR ROTOR - EPDM	2
	<i>V70028</i>	<i>O-RING FOR ROTOR - VITON</i>	<i>2</i>
92	V70036	O-RING FOR DOUBLE SEAL CASE - VITON	2
	E70036	O-RING FOR DOUBLE SEAL CASE - EPDM	2
102	AL00-WS01-SS	DIN M6 FENDER WASHER	4
103	AL00-BT01-SS	CAP SCREW FOR SEAL RETAINER	4
112	AL10-SE08-SS	SLEEVE, CHROME OXIDE COATED	2
113	AL10-OS02-SS	SS GLAND FOR DOUBLE O-RING	2



Pressure Relief Cover

Optional Items Shown in ITALICS

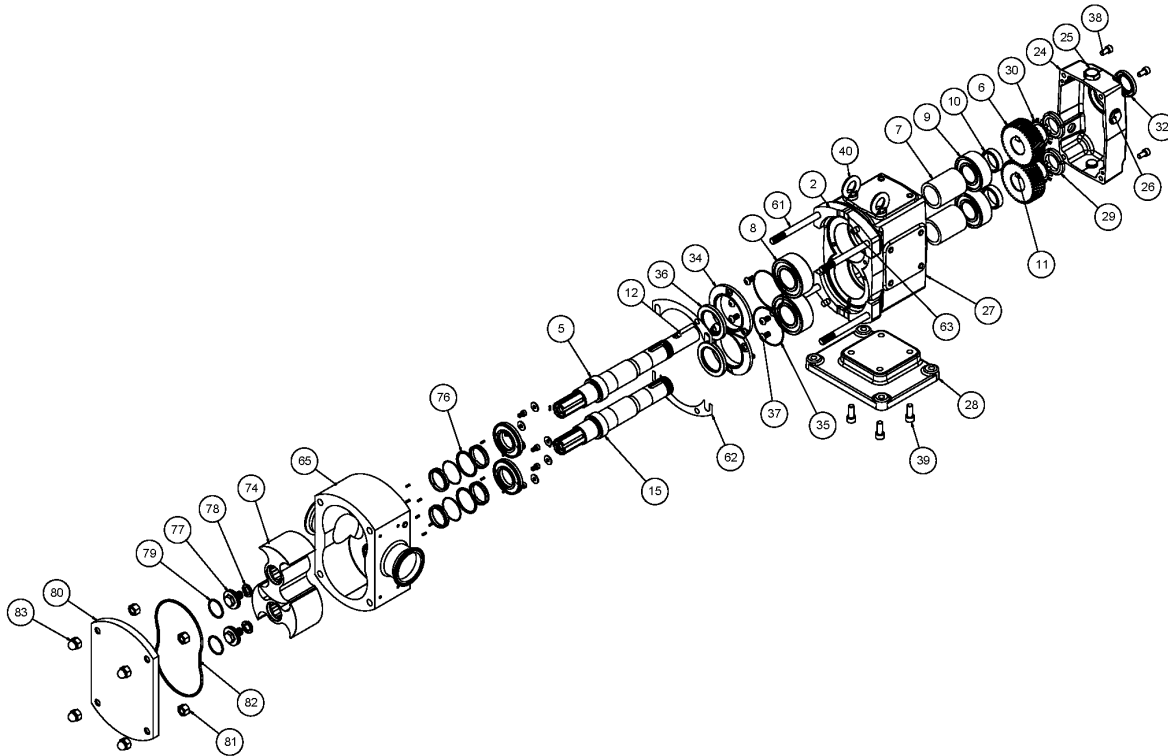
Ref #	Component Item No.	Description	Qty Per
121	GX5515150	ADJUSTING BOLT	1
122	GX5515000	LOCK NUT	1
123	AL10-RH01-SS	HOUSING FOR RELIEF VALVE	1
124	GX5512010	LOCK WASHER	4
	GX5512105	BOLT, HEX HEAD	4
125	AL10-RP02-SS	PISTON FOR ADJUSTING	1
126	AL10-RS03-CS	SPRING	1
127	AL10-RV01-SS	VALVE HEAD	1
128	E70138	O-RING - EPDM	1
	V70138	O-RING - VITON	1
129	E70134	O-RING - EPDM	1
	V70134	O-RING - VITON	1
130	AL10-FC04-SS	FRONT COVER FOR RELIEF VALVE - AL15/20	1



Heating Jackets

Optional Items Shown in ITALICS

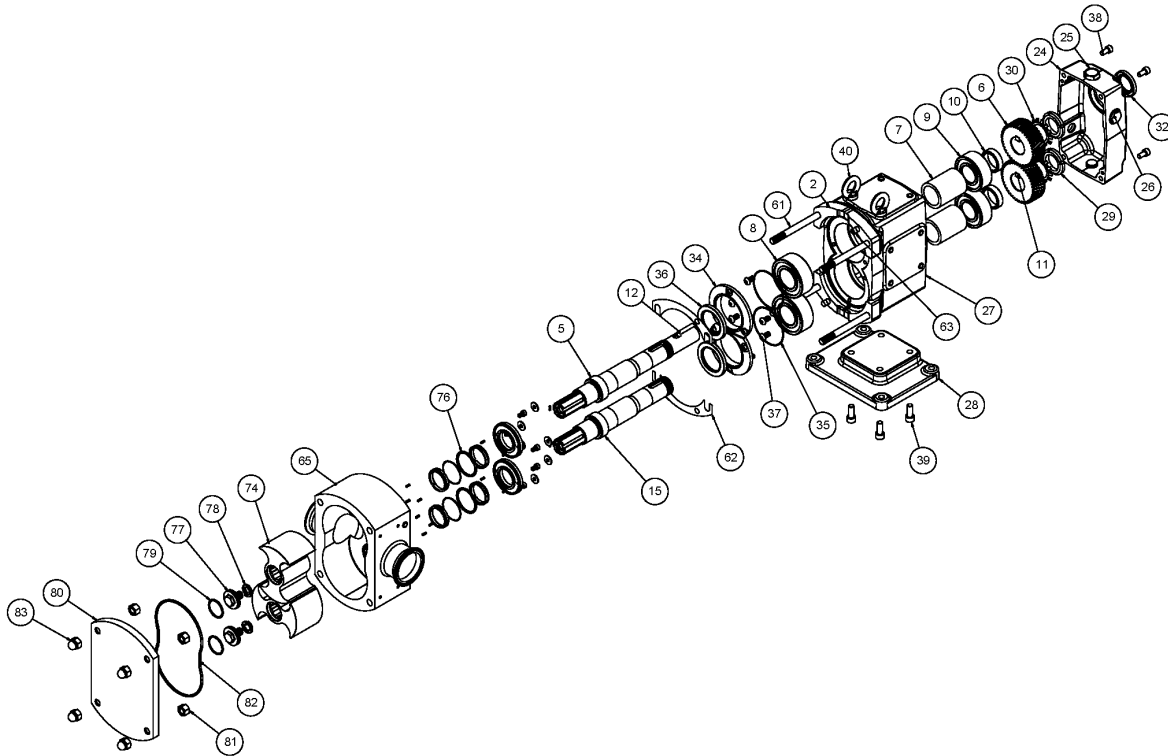
Ref #	Component Item No.	Description	Qty Per
141	AL10-FC07-SS	FRONT COVER WITH JACKET - AL15/20	1
142	AL10-HJ05-SS	CASE HEATING JACKET FOR BODY BOTTOM - AL20	1
	AL10-HJ04-SS	CASE HEATING JACKET FOR BODY TOP - AL20	1
143	AL10-HJ03-SS	CASE HEATING JACKET FOR TUBE ASS'Y - AL10	1



Exploded View

Optional Items Shown in ITALICS

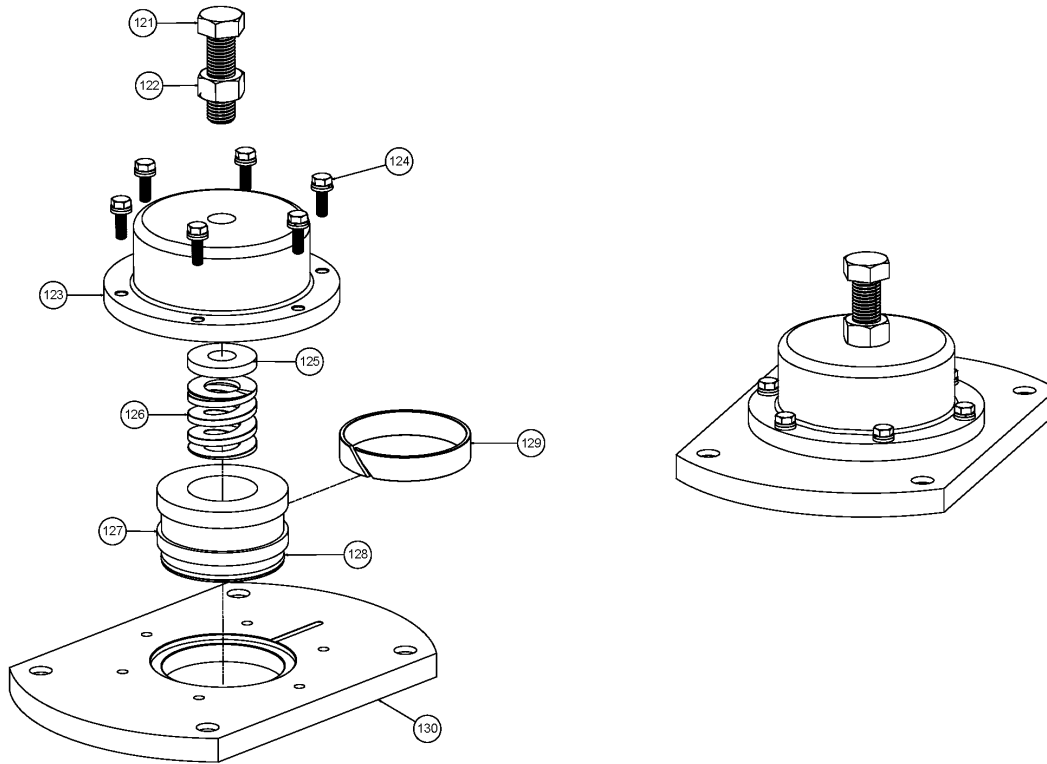
Ref #	Component Item No.	Description	Qty Per
2	AL20-GB03-SS	GEAR BOX - SS	1
5	AL20-SF01-SS	DRIVE SHAFT - AL22	1
6	AL20-HG01-CS	HELICAL GEAR - LEFT HAND	1
	AL20-HG02-CS	HELICAL GEAR - RIGHT HAND	1
7	AL20-BS01-CS	BEARING SPACER	2
8	AL20-BE01-CC	FRONT BEARING	2
9	AL20-BE02-CS	REAR BEARING	2
10	AL20-GS01-CS	GEAR SPACER	2
11	AL20-GK01-CS	GEAR KEY - 10x8x27	2
12	AL20-SK01-CS	SHAFT KEY - 10x8x50	1
13	AL00-PN02-SS	SET PIN FOR DOUBLE SEAL	6
15	AL20-SF02-SS	SHORT SHAFT - AL22	1
24	AL20-GB04-SS	GEAR BOX COVER - SS	1
25	P1GX115798	HEX PLUG WITH NBR SEAL	2
26	P1GX115799	OIL LEVEL INDICATOR	2
27	AL10-PN05-SS	DOWEL FOR GEAR BOX	2
28	AL20-GB05-SS	GEAR BOX BASE - SS	1
29	AL20-LN01-CS	LOCK NUT	2
30	AL20-LW01-CS	LOCK WASHER	2
32	AL20-OS02-L3	REAR OIL SEAL - NBR	1
34	AL20-OS01-SS	OIL SEAL GLAND	2
35	N70041	O-RING FOR OIL SEAL GLAND - NBR	2
36	AL20-OS01-L3	FRONT OIL SEAL - NBR	2
37	AL20-BT01-SS	CAP SCREW FOR OIL SEAL GLAND	6
38	AL20-BT02-SS	CAP SCREW FOR GEAR BOX COVER	4
39	AL20-BT03-SS	CAP SCREW FOR GEAR BASE	4
40	AL20-BT04-SS	EYEBOLT	2



Exploded View

Optional Items Shown in ITALICS

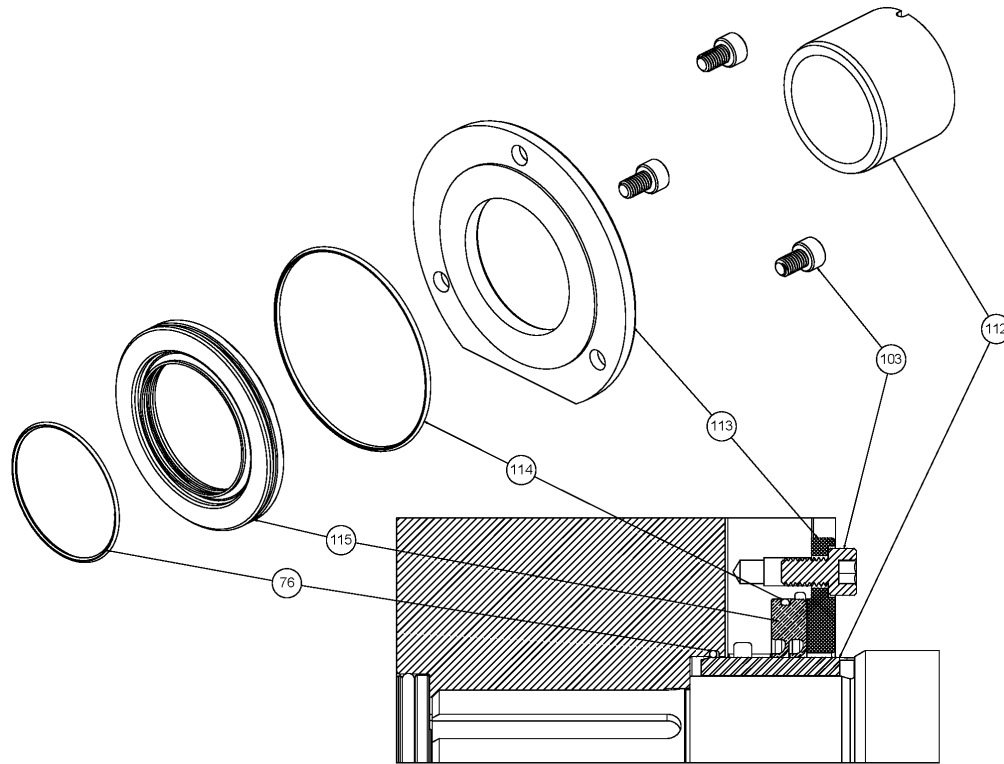
Ref #	Component Item No.	Description	Qty Per
61	AL20-SB01-SS	CASE STUD BOLT - AL22	4
62	AL20-SP01-SS-04	SHIM - 0.004" THICKNESS - AL200 SERIES	2
	AL20-SP01-SS-02	SHIM - 0.002" THICKNESS - AL200 SERIES	2
63	AL20-PN04-SS	DOWEL FOR CASE	2
65	AL20-RC07-SS	ROTOR CASE - AL22	1
74	AL20-RT02-SS-1	ROTOR BI-WING (TOP) - AL22	1
	AL20-RT02-SS-2	ROTOR BI-WING (SIDE) - AL22	1
	<i>AL20-RT03-SS-1</i>	<i>ROTOR BI-WING (TOP) - AL22 - HOT</i>	1
	<i>AL20-RT03-SS-2</i>	<i>ROTOR BI-WING (SIDE) - AL22 - HOT</i>	1
	<i>AL20-RT01-SS-1</i>	<i>ROTOR SINGLE-WING (TOP) - AL22</i>	2
	<i>AL20-RT04-SS-1</i>	<i>ROTOR TRI-LOBE (TOP) - AL22</i>	2
76	E70031	O-RING FOR ROTOR - EPDM	2
	<i>V70031</i>	<i>O-RING FOR ROTOR - VITON</i>	2
77	AL20-RB01-SS	ROTOR BOLT - (HEX HEAD)	2
78	AL20-SW01-SS	SPRING WASHER FOR ROTOR BOLT	2
79	E70125	O-RING FOR ROTOR BOLT - EPDM	2
	<i>V70125</i>	<i>O-RING FOR ROTOR BOLT - VITON</i>	2
80	AL20-FC02-SS	FRONT COVER	1
81	AL20-HN01-SS	HEX NUT/STUD BOLT LOCK	4
82	E70261	O-RING FOR FRONT COVER - EPDM	1
	<i>V70261</i>	<i>O-RING FOR FRONT COVER - VITON</i>	1
	<i>TE70261</i>	<i>O-RING FOR FRONT COVER - TEFLON ENCAP</i>	1
83	AL20-CN01-SS	CAP NUT	4



Pressure Relief Cover

Optional Items Shown in ITALICS

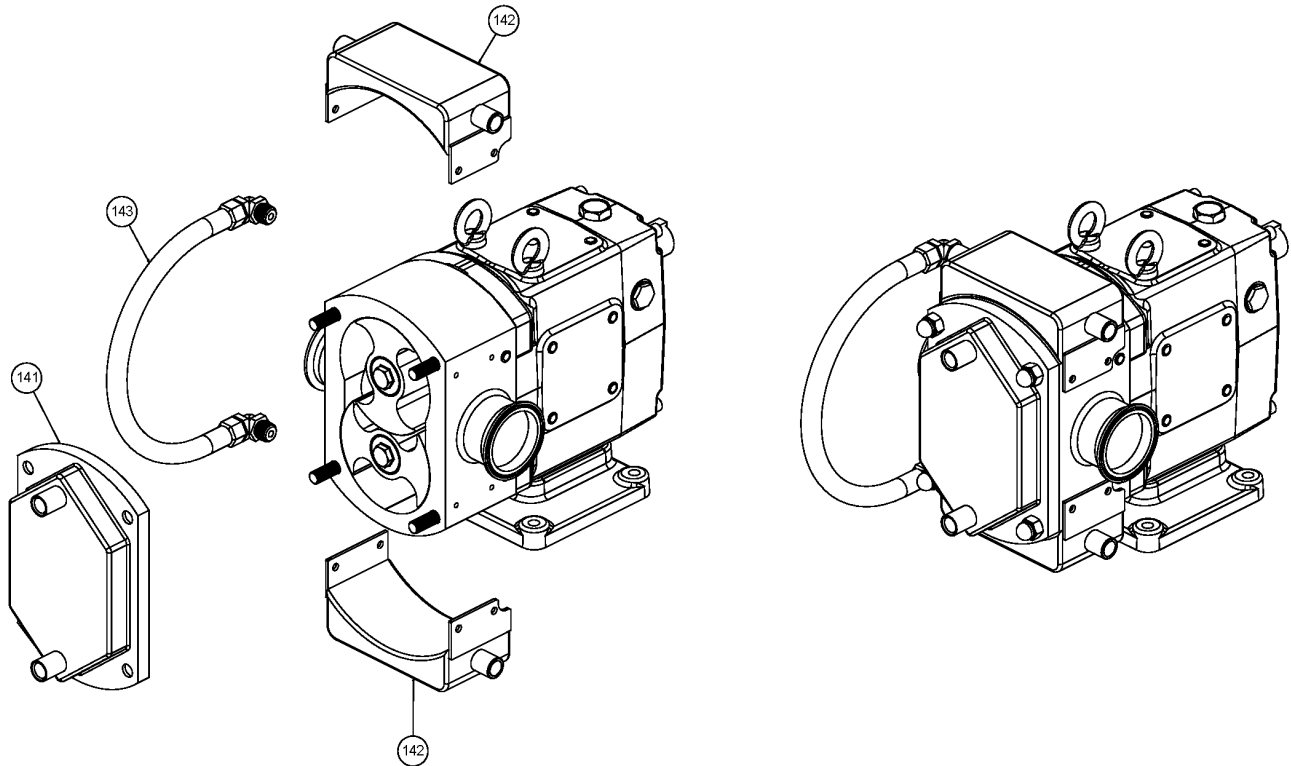
Ref #	Component Item No.	Description	Qty Per
120	GX5517145	BOLT, HEX HEAD	1
121	GX5517000	NUT, HEX HEAD	1
122	AL20-RH02-SS	RELIEF VALVE HOUSING	1
123	GX5512110	BOLT, HEX HEAD	6
124	GX5512010	LOCK WASHER	6
125	AL20-RP04-SS	ADJUSTMENT PIN	1
126	AL20-RS03-CS	SPRING	1
127	AL20-RV02-SS	VALVE HEAD	1
128	AL20-WR01-PF	WEAR RING, TEFLON	1
129	E70144	O-RING, EPDM	1
	V70144	O-RING, VITON	1
130	AL20-FC06-SS	FRONT COVER, VENTED	1
131	AL20-FR01-SS	FRONT COVER ASSEMBLY, VENTED	1



Lip Seal

Optional Items Shown in ITALICS

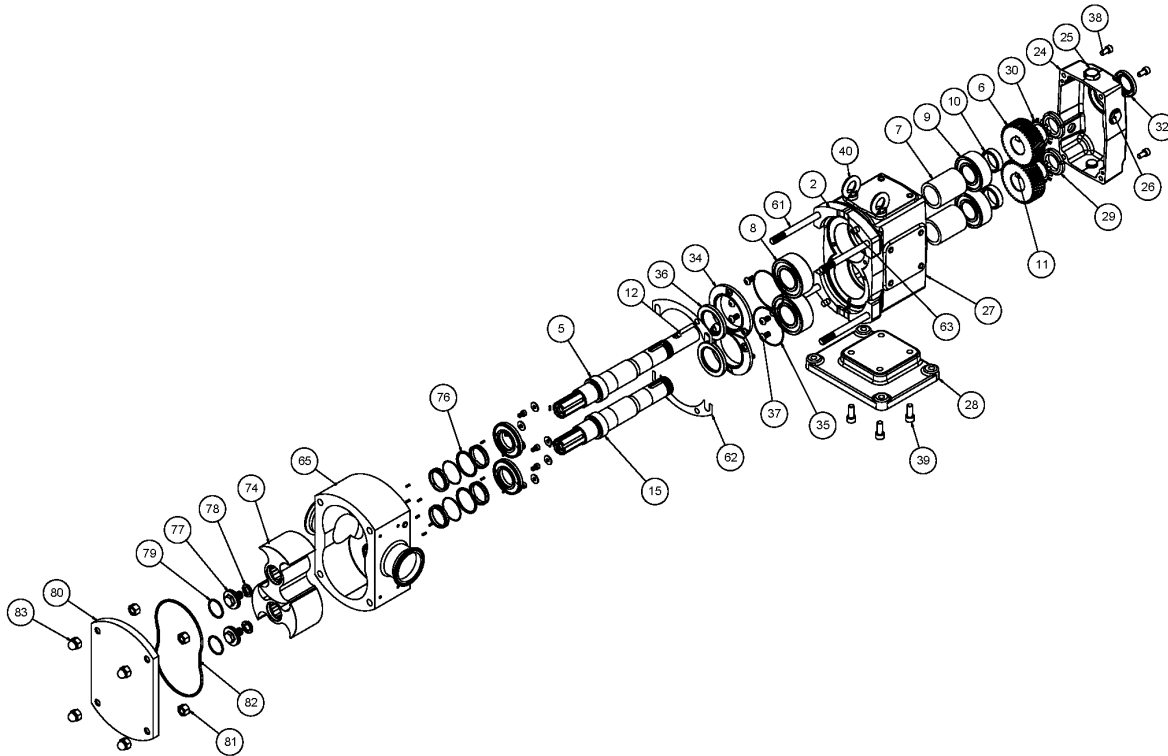
Ref #	Component Item No.	Description	Qty Per
76	E70031	O-RING FOR ROTOR - EPDM	2
	<i>V70031</i>	<i>O-RING FOR ROTOR - VITON</i>	<i>2</i>
103	AL00-BT01-SS	CAP SCREW FOR OIL SEAL GLAND	6
112	AL20-SE08-SS	SLEEVE, CHROME OXIDE COATED	2
113	AL20-SE05-S3	SS GLAND FOR DOUBLE LIP SEAL FOR PRODUCT	2
	<i>AL20-SE06-S3</i>	<i>SS GLAND FOR TRIPLE LIP SEAL FOR PRODUCT</i>	<i>2</i>
114	E70141	O-RING, DOUBLE LIP SEAL - EPDM	2
	<i>V70141</i>	<i>O-RING, DOUBLE LIP SEAL - VITON</i>	<i>2</i>
115	AL20-SE05-S2	DOUBLE LIP SEAL FOR PRODUCT - TEFLON	2
	<i>AL20-SE06-S2</i>	<i>TRIPLE LIP SEAL FOR PRODUCT - TEFLON</i>	<i>2</i>



Heating Jackets

Optional Items Shown in ITALICS

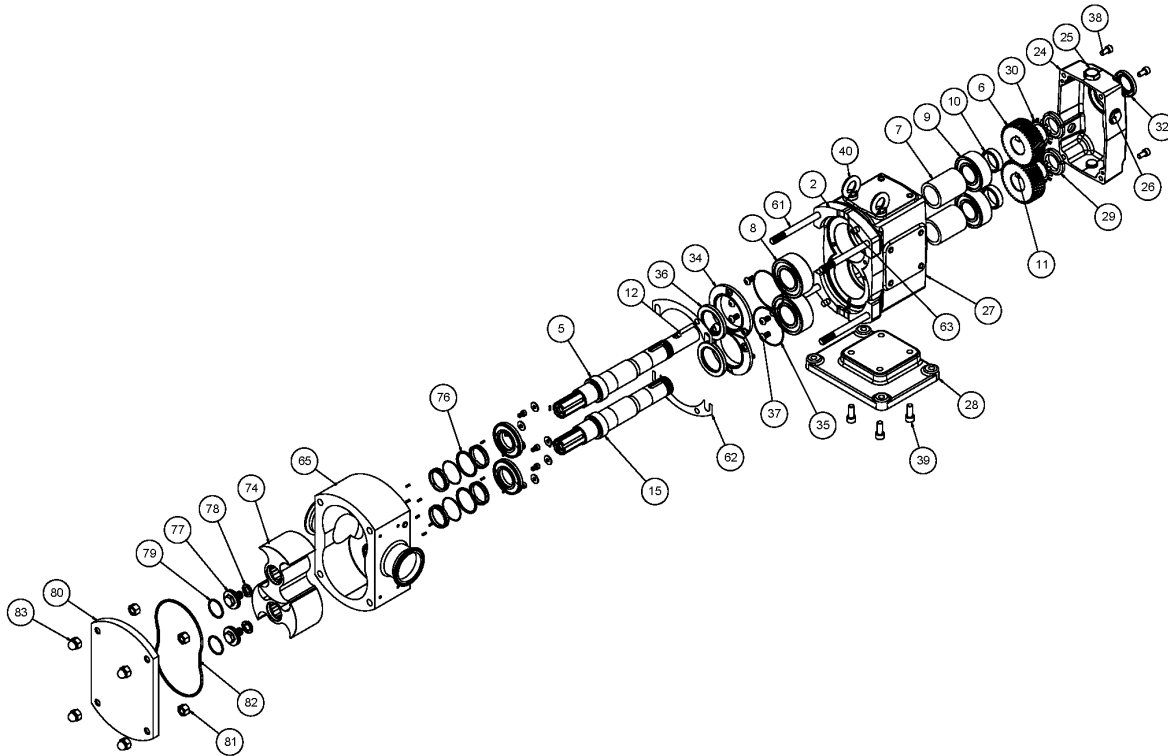
Ref #	Component Item No.	Description	Qty Per
141	AL20-FC04-SS	FRONT COVER WITH JACKET	1
142	AL20-HJ01-SS	CASE HEATING JACKET FOR BODY TOP - AL22	1
	AL20-HJ02-SS	CASE HEATING JACKET FOR BODY BOTTOM - AL22	1
143	AL20-HJ03-SS	CASE HEATING JACKET FOR TUBE ASS'Y - AL200	1



Exploded View

Optional Items Shown in ITALICS

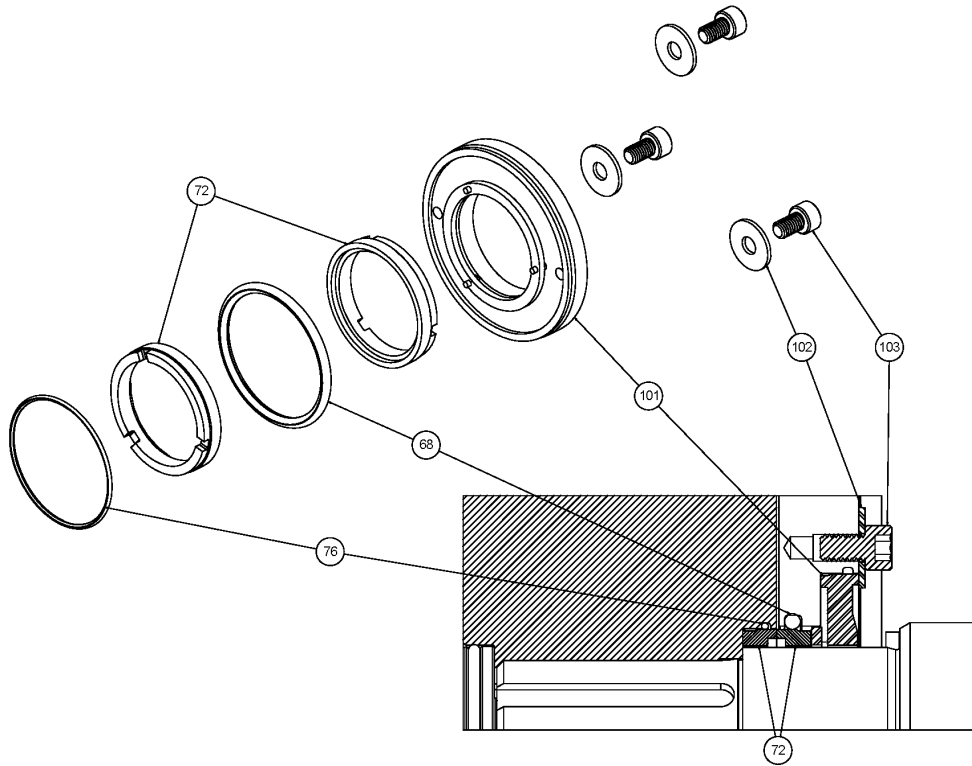
Ref #	Component Item No.	Description	Qty Per
2	AL20-GB03-SS	GEAR BOX - SS	1
5	AL20-SF01-SS	DRIVE SHAFT - AL22	1
6	AL20-HG01-CS	HELICAL GEAR - LEFT HAND	1
	AL20-HG02-CS	HELICAL GEAR - RIGHT HAND	1
7	AL20-BS01-CS	BEARING SPACER	2
8	AL20-BE01-CC	FRONT BEARING	2
9	AL20-BE02-CS	REAR BEARING	2
10	AL20-GS01-CS	GEAR SPACER	2
11	AL20-GK01-CS	GEAR KEY - 10x8x27	2
12	AL20-SK01-CS	SHAFT KEY - 10x8x50	1
13	AL00-PN02-SS	SET PIN FOR DOUBLE SEAL	6
15	AL20-SF02-SS	SHORT SHAFT - AL22	1
24	AL20-GB04-SS	GEAR BOX COVER - SS	1
25	P1GX115798	HEX PLUG WITH NBR SEAL	2
26	P1GX115799	OIL LEVEL INDICATOR	2
27	AL10-PN05-SS	DOWEL FOR GEAR BOX	2
28	AL20-GB05-SS	GEAR BOX BASE - SS	1
29	AL20-LN01-CS	LOCK NUT	2
30	AL20-LW01-CS	LOCK WASHER	2
32	AL20-OS02-L3	REAR OIL SEAL - NBR	1
34	AL20-OS01-SS	OIL SEAL GLAND	2
35	N70041	O-RING FOR OIL SEAL GLAND - NBR	2
36	AL20-OS01-L3	FRONT OIL SEAL - NBR	2
37	AL20-BT01-SS	CAP SCREW FOR OIL SEAL GLAND	6
38	AL20-BT02-SS	CAP SCREW FOR GEAR BOX COVER	4
39	AL20-BT03-SS	CAP SCREW FOR GEAR BASE	4
40	AL20-BT04-SS	EYEBOLT	2



Exploded View

Optional Items Shown in ITALICS

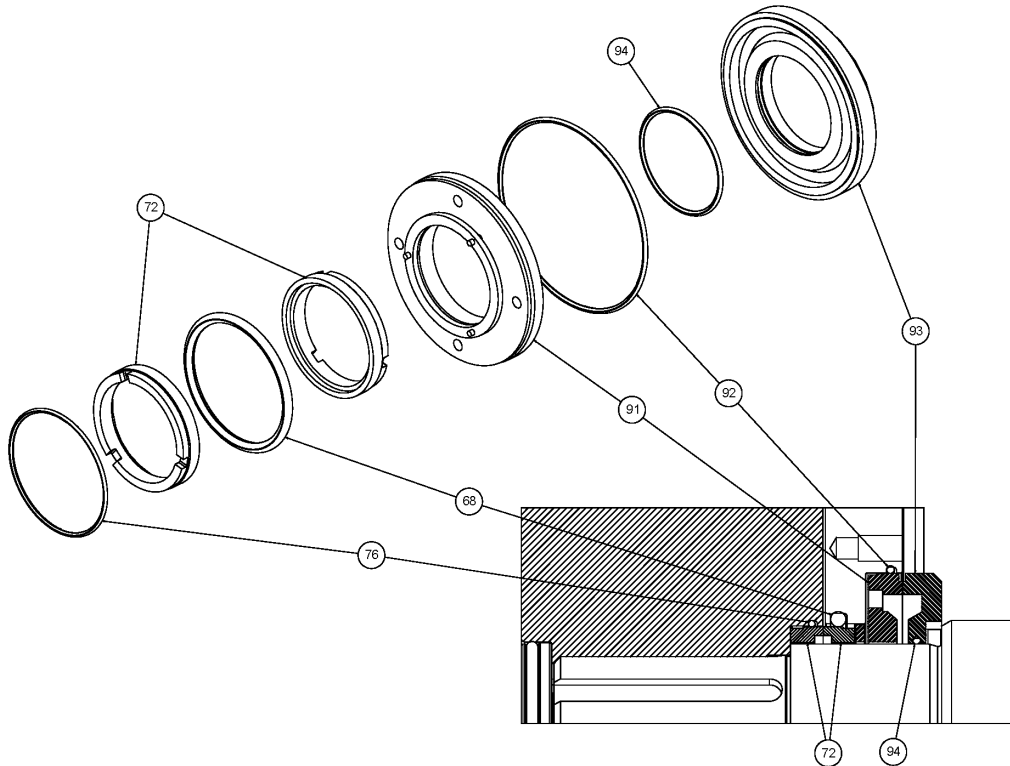
Ref #	Component Item No.	Description	Qty Per
61	AL20-SB01-SS	CASE STUD BOLT - AL22	4
62	AL20-SP01-SS-02	SHIM - 0.002" THICKNESS - AL200 SERIES	2
	AL20-SP01-SS-04	SHIM - 0.004" THICKNESS - AL200 SERIES	2
63	AL20-PN04-SS	DOWEL FOR CASE	2
65	AL20-RC07-SS	ROTOR CASE - AL22	1
74	AL20-RT02-SS-1	ROTOR BI-WING (TOP) - AL22	1
	AL20-RT02-SS-2	ROTOR BI-WING (SIDE) - AL22	1
	<i>AL20-RT03-SS-1</i>	<i>ROTOR BI-WING (TOP) - AL22 - HOT</i>	1
	<i>AL20-RT03-SS-2</i>	<i>ROTOR BI-WING (SIDE) - AL22 - HOT</i>	1
	<i>AL20-RT01-SS-1</i>	<i>ROTOR SINGLE-WING (TOP) - AL22</i>	2
	<i>AL20-RT04-SS-1</i>	<i>ROTOR TRI-LOBE (TOP) - AL22</i>	2
76	E70031	O-RING FOR ROTOR - EPDM	2
	<i>V70031</i>	<i>O-RING FOR ROTOR - VITON</i>	2
77	AL20-RB01-SS	ROTOR BOLT - (HEX HEAD)	2
78	AL20-SW01-SS	SPRING WASHER FOR ROTOR BOLT	2
79	E70125	O-RING FOR ROTOR BOLT - EPDM	2
	<i>V70125</i>	<i>O-RING FOR ROTOR BOLT - VITON</i>	2
80	AL20-FC02-SS	FRONT COVER	1
81	AL20-HN01-SS	HEX NUT/STUD BOLT LOCK	4
82	E70261	O-RING FOR FRONT COVER - EPDM	1
	<i>V70261</i>	<i>O-RING FOR FRONT COVER - VITON</i>	1
	<i>TE70261</i>	<i>O-RING FOR FRONT COVER - TEFLON ENCAP</i>	1
83	AL20-CN01-SS	CAP NUT	4



Single Mechanical Seal

Optional Items Shown in ITALICS

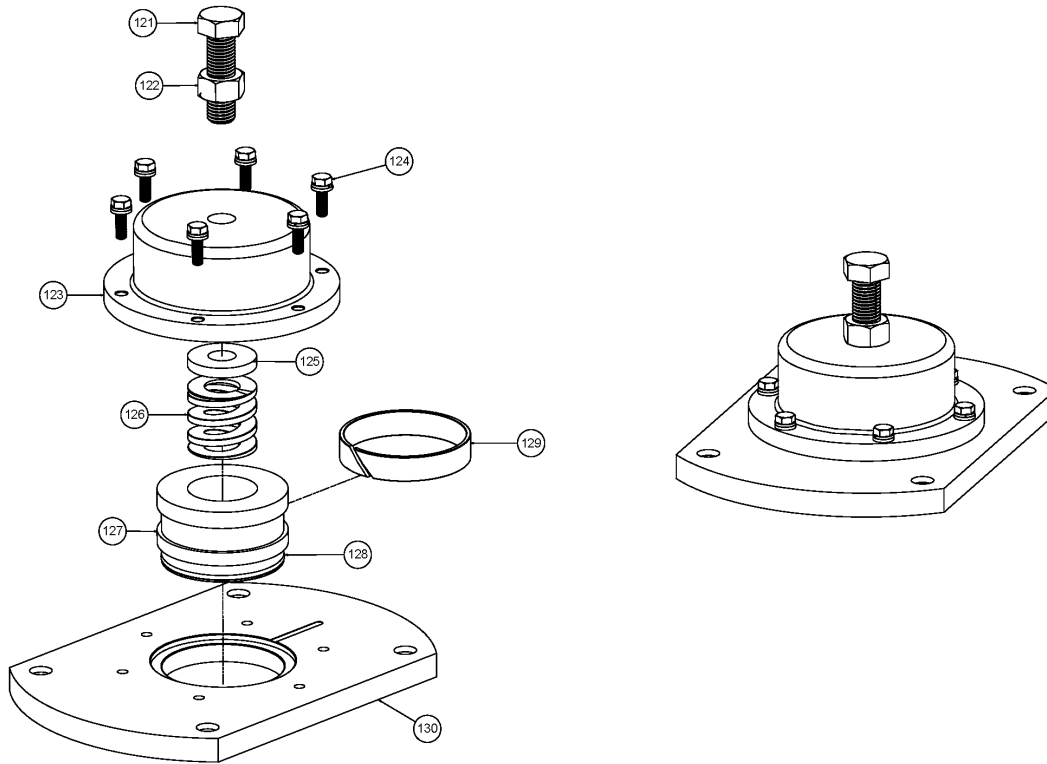
Ref #	Component Item No.	Description	Qty Per
68	E70225	O-RING FOR ROTOR CASE - EPDM	2
	<i>V70225</i>	<i>O-RING FOR ROTOR CASE - VITON</i>	<i>2</i>
72	AL20-SE06-SS	SEAL/MECHANICAL SEAL RING - TC	4
	<i>AL20-SE07-SS</i>	<i>SEAL/MECHANICAL SEAL RING - SC</i>	<i>4</i>
76	E70031	O-RING FOR ROTOR - EPDM	2
	<i>V70031</i>	<i>O-RING FOR ROTOR - VITON</i>	<i>2</i>
101	AL20-SE01-S3	SEAL/SINGLE MECH SEAL BASE	2
102	AL00-WS01-SS	DIN M6 FENDER WASHER	6
103	AL00-BT01-SS	CAP SCREW FOR OIL SEAL GLAND	6



Double Mechanical Seal

Optional Items Shown in ITALICS

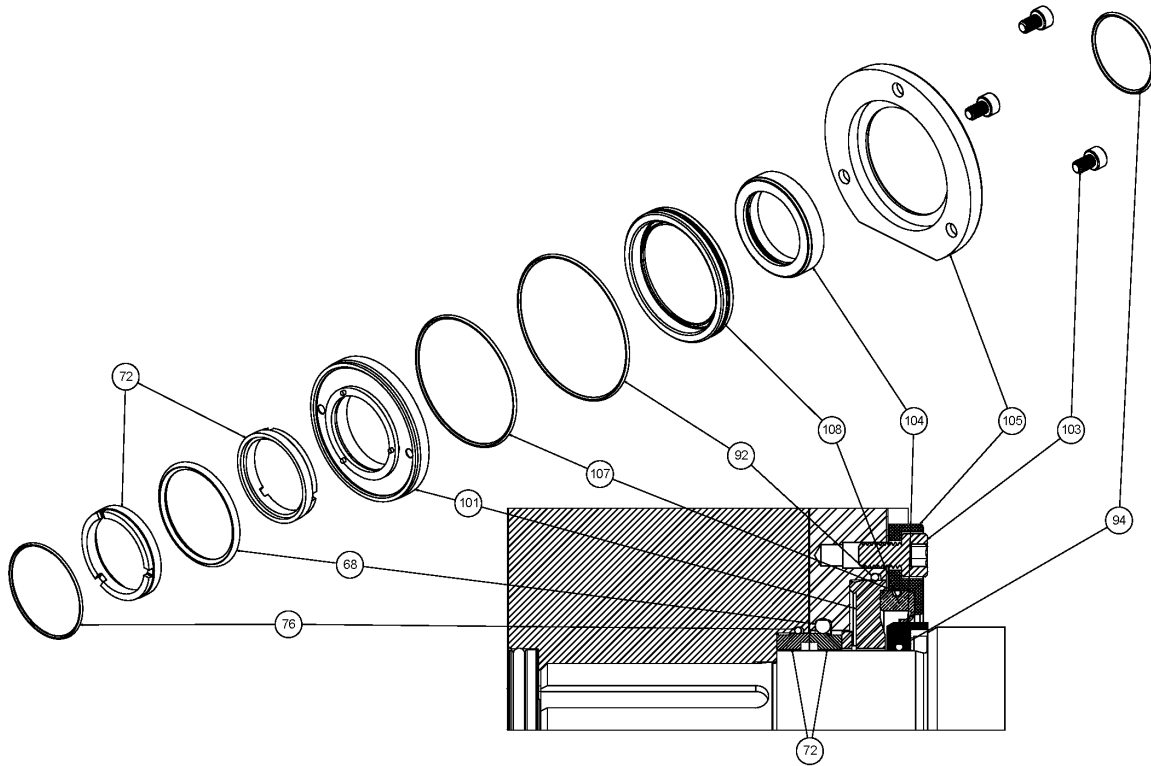
Ref #	Component Item No.	Description	Qty Per
68	E70225	O-RING FOR ROTOR CASE - EPDM	2
	<i>V70225</i>	<i>O-RING FOR ROTOR CASE - VITON</i>	<i>2</i>
72	AL20-SE06-SS	SEAL/MECHANICAL SEAL RING - TC	4
	<i>AL20-SE07-SS</i>	<i>SEAL/MECHANICAL SEAL RING - SC</i>	<i>4</i>
76	E70031	O-RING FOR ROTOR - EPDM	2
	<i>V70031</i>	<i>O-RING FOR ROTOR - VITON</i>	<i>2</i>
91	AL20-SE01-S5	DOUBLE SEAL REAR BASE - SC	2
	<i>AL20-SE01-S6</i>	<i>DOUBLE SEAL REAR BASE - TC</i>	<i>2</i>
92	E70039	O-RING FOR DOUBLE SEAL CASE - EPDM	2
	<i>V70039</i>	<i>O-RING FOR DOUBLE SEAL CASE - VITON</i>	<i>2</i>
93	AL20-SE02-S2	SEAL/FLUSHED SEAL UNIT - SC	2
	<i>AL20-SE02-S1</i>	<i>SEAL/FLUSHED SEAL UNIT - TC</i>	<i>2</i>
94	E70029	O-RING FOR DOUBLE SEAL SHAFT - EPDM	2
	<i>V70029</i>	<i>O-RING FOR DOUBLE SEAL SHAFT - VITON</i>	<i>2</i>



Pressure Relief Cover

Optional Items Shown in ITALICS

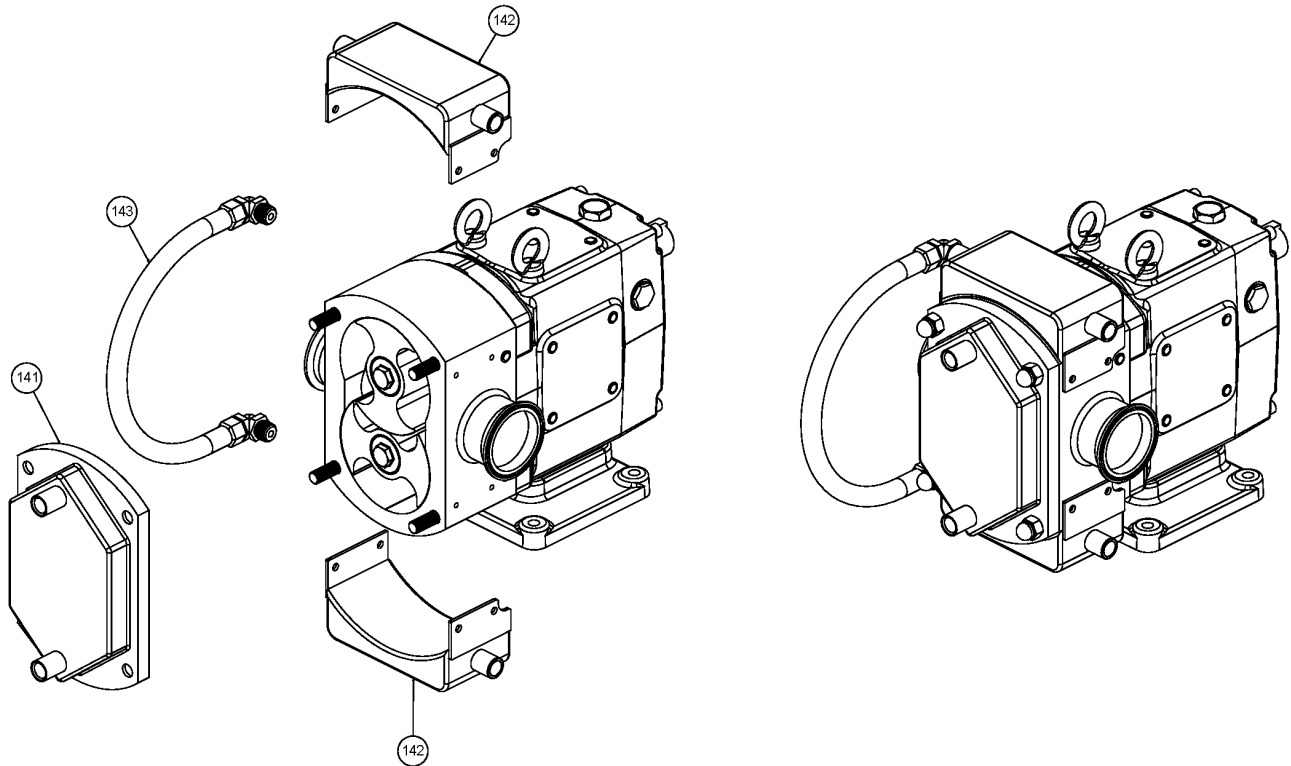
Ref #	Component Item No.	Description	Qty Per
120	GX5517145	BOLT, HEX HEAD	1
121	GX5517000	NUT, HEX HEAD	1
122	AL20-RH02-SS	RELIEF VALVE HOUSING	1
123	GX5512110	BOLT, HEX HEAD	6
124	GX5512010	LOCK WASHER	6
125	AL20-RP04-SS	ADJUSTMENT PIN	1
126	AL20-RS03-CS	SPRING	1
127	AL20-RV02-SS	VALVE HEAD	1
128	AL20-WR01-PF	WEAR RING, TEFLON	1
129	E70144	O-RING, EPDM	1
	V70144	O-RING, VITON	1
130	AL20-FC06-SS	FRONT COVER, VENTED	1
131	AL20-FR01-SS	FRONT COVER ASSEMBLY, VENTED	1



Single Mechanical Seal with Flush

Optional Items Shown in ITALICS

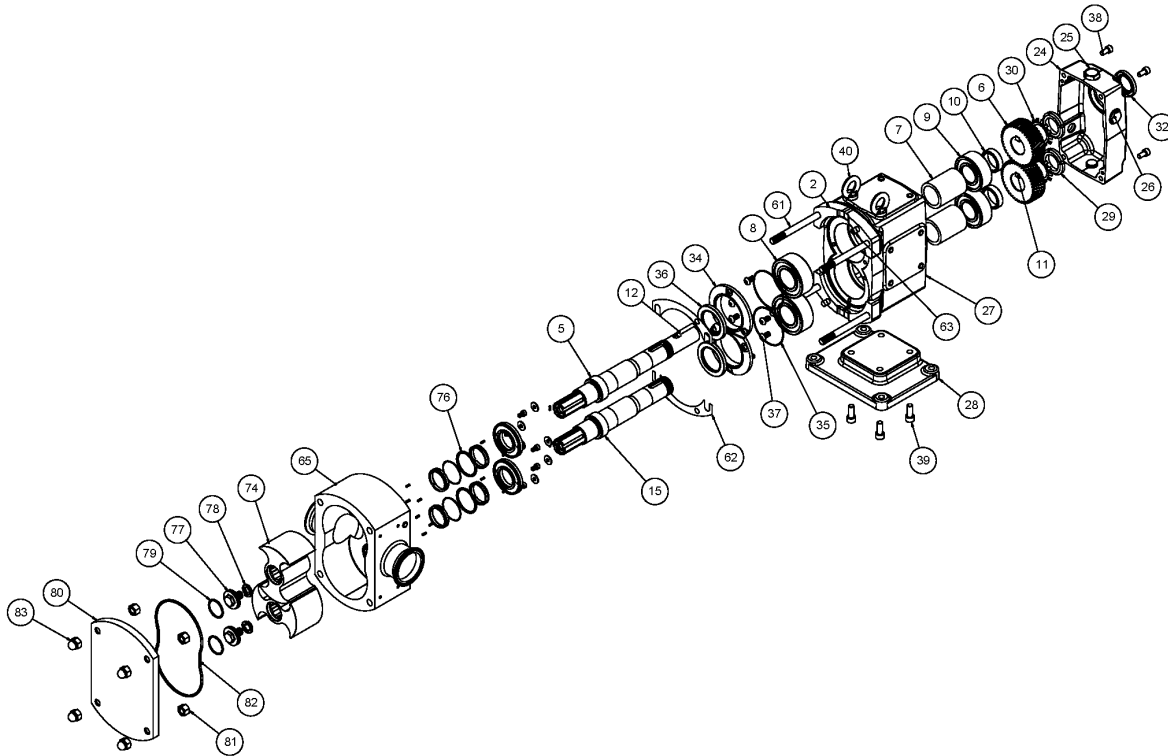
Ref #	Component Item No.	Description	Qty Per
68	E70225	O-RING FOR ROTOR CASE - EPDM	2
	<i>V70225</i>	<i>O-RING FOR ROTOR CASE - VITON</i>	<i>2</i>
72	AL20-SE06-SS	SEAL/MECHANICAL SEAL RING - TC	4
	<i>AL20-SE07-SS</i>	<i>SEAL/MECHANICAL SEAL RING - SC</i>	<i>4</i>
76	E70031	O-RING FOR ROTOR - EPDM	2
	<i>V70031</i>	<i>O-RING FOR ROTOR - VITON</i>	<i>2</i>
101	AL20-SE01-S3	SEAL/SINGLE MECH SEAL BASE	2
103	AL00-BT01-SS	CAP SCREW FOR OIL SEAL GLAND	6
104	AL20-FL02-CE	CERMAIC SLEEVE FOR FLUSHING	2
105	AL20-FL03-SS	SS GLAND FOR FLUSHING	2
107	E70036	O-RING FOR FLUSHED LIP - EPDM	2
	<i>V70036</i>	<i>O-RING FOR FLUSHED LIP - VITON</i>	<i>2</i>
108	AL20-FL01-PF	PTFE - LIP SEAL FOR FLUSHING	2



Heating Jackets

Optional Items Shown in ITALICS

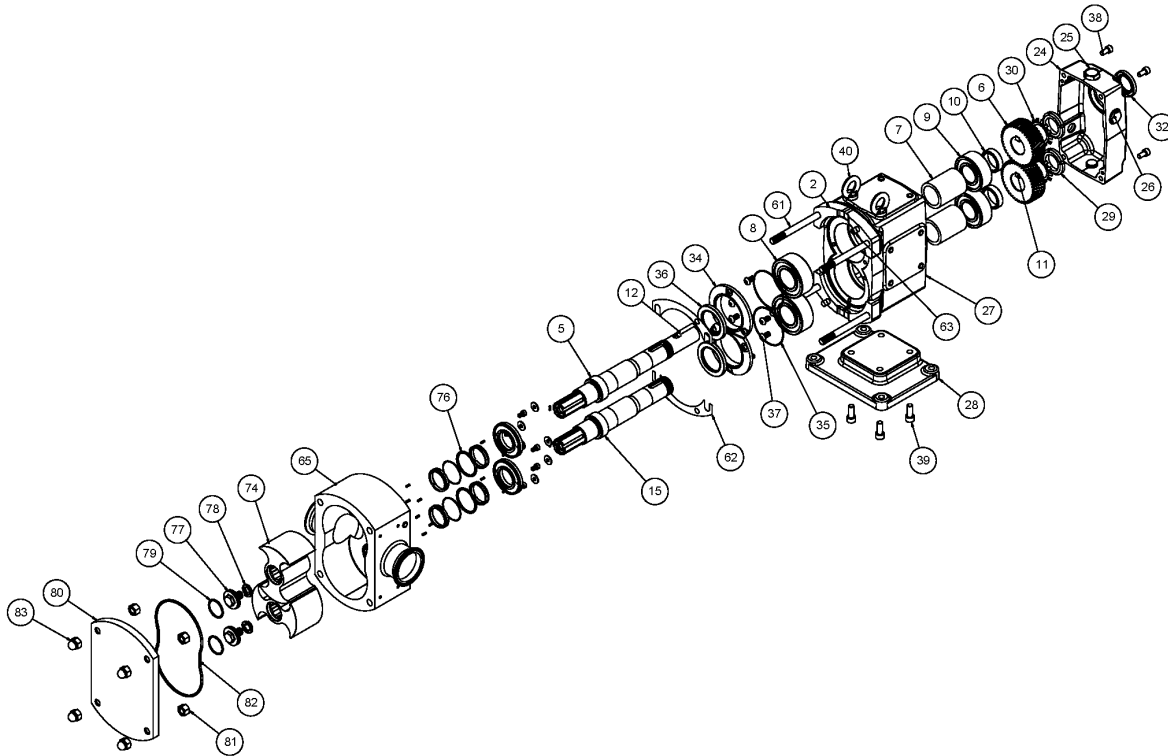
Ref #	Component Item No.	Description	Qty Per
141	AL20-FC04-SS	FRONT COVER WITH JACKET	1
142	AL20-HJ01-SS	CASE HEATING JACKET FOR BODY TOP - AL22	1
	AL20-HJ02-SS	CASE HEATING JACKET FOR BODY BOTTOM - AL22	1
143	AL20-HJ03-SS	CASE HEATING JACKET FOR TUBE ASS'Y - AL200	1



Exploded View

Optional Items Shown in ITALICS

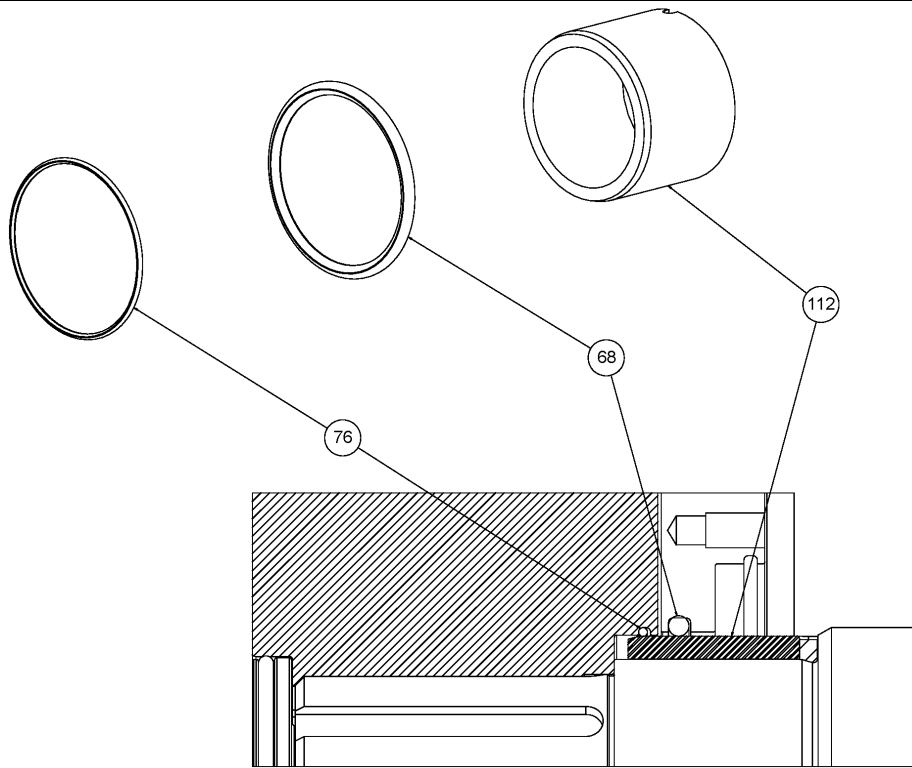
Ref #	Component Item No.	Description	Qty Per
2	AL20-GB03-SS	GEAR BOX - SS	1
5	AL20-SF01-SS	DRIVE SHAFT - AL22	1
6	AL20-HG02-CS	HELICAL GEAR - RIGHT HAND	1
	AL20-HG01-CS	HELICAL GEAR - LEFT HAND	1
7	AL20-BS01-CS	BEARING SPACER	2
8	AL20-BE01-CC	FRONT BEARING	2
9	AL20-BE02-CS	REAR BEARING	2
10	AL20-GS01-CS	GEAR SPACER	2
11	AL20-GK01-CS	GEAR KEY - 10x8x27	2
12	AL20-SK01-CS	SHAFT KEY - 10x8x50	1
13	AL00-PN02-SS	SET PIN FOR DOUBLE SEAL	6
15	AL20-SF02-SS	SHORT SHAFT - AL22	1
24	AL20-GB04-SS	GEAR BOX COVER - SS	1
25	P1GX115798	HEX PLUG WITH NBR SEAL	2
26	P1GX115799	OIL LEVEL INDICATOR	2
27	AL10-PN05-SS	DOWEL FOR GEAR BOX	2
28	AL20-GB05-SS	GEAR BOX BASE - SS	1
29	AL20-LN01-CS	LOCK NUT	2
30	AL20-LW01-CS	LOCK WASHER	2
32	AL20-OS02-L3	REAR OIL SEAL - NBR	1
34	AL20-OS01-SS	OIL SEAL GLAND	2
35	N70041	O-RING FOR OIL SEAL GLAND - NBR	2
36	AL20-OS01-L3	FRONT OIL SEAL - NBR	2
37	AL20-BT01-SS	CAP SCREW FOR OIL SEAL GLAND	6
38	AL20-BT02-SS	CAP SCREW FOR GEAR BOX COVER	4
39	AL20-BT03-SS	CAP SCREW FOR GEAR BASE	4
40	AL20-BT04-SS	EYEBOLT	2



Exploded View

Optional Items Shown in ITALICS

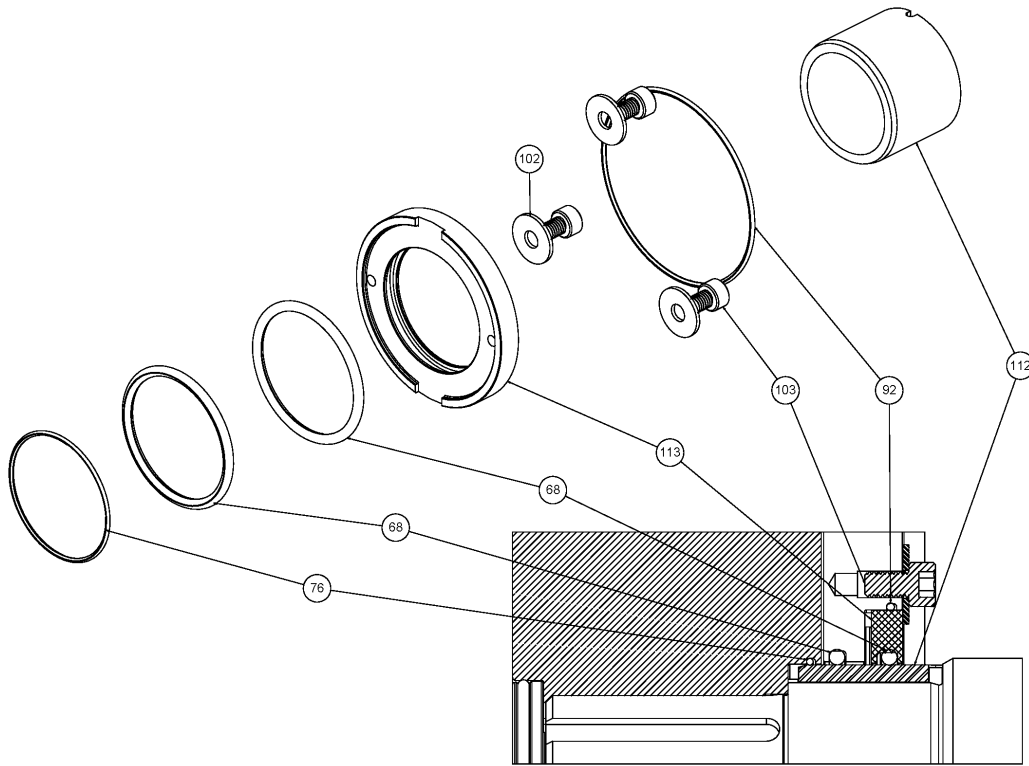
Ref #	Component Item No.	Description	Qty Per
61	AL20-SB01-SS	CASE STUD BOLT - AL22	4
62	AL20-SP01-SS-04	SHIM - 0.004" THICKNESS - AL200 SERIES	2
	AL20-SP01-SS-02	SHIM - 0.002" THICKNESS - AL200 SERIES	2
63	AL20-PN04-SS	DOWEL FOR CASE	2
65	AL20-RC07-SS	ROTOR CASE - AL22	1
74	AL20-RT02-SS-1	ROTOR BI-WING (TOP) - AL22	1
	AL20-RT02-SS-2	ROTOR BI-WING (SIDE) - AL22	1
	<i>AL20-RT03-SS-2</i>	<i>ROTOR BI-WING (SIDE) - AL22 - HOT</i>	1
	<i>AL20-RT03-SS-1</i>	<i>ROTOR BI-WING (TOP) - AL22 - HOT</i>	1
	<i>AL20-RT01-SS-1</i>	<i>ROTOR SINGLE-WING (TOP) - AL22</i>	2
	<i>AL20-RT04-SS-1</i>	<i>ROTOR TRI-LOBE (TOP) - AL22</i>	2
76	E70031	O-RING FOR ROTOR - EPDM	2
	<i>V70031</i>	<i>O-RING FOR ROTOR - VITON</i>	2
77	AL20-RB01-SS	ROTOR BOLT - (HEX HEAD)	2
78	AL20-SW01-SS	SPRING WASHER FOR ROTOR BOLT	2
79	E70125	O-RING FOR ROTOR BOLT - EPDM	2
	<i>V70125</i>	<i>O-RING FOR ROTOR BOLT - VITON</i>	2
80	AL20-FC02-SS	FRONT COVER	1
81	AL20-HN01-SS	HEX NUT/STUD BOLT LOCK	4
82	E70261	O-RING FOR FRONT COVER - EPDM	1
	<i>V70261</i>	<i>O-RING FOR FRONT COVER - VITON</i>	1
	<i>TE70261</i>	<i>O-RING FOR FRONT COVER - TEFLON ENCAP</i>	1
83	AL20-CN01-SS	CAP NUT	4



Single O-Ring Seal

Optional Items Shown in ITALICS

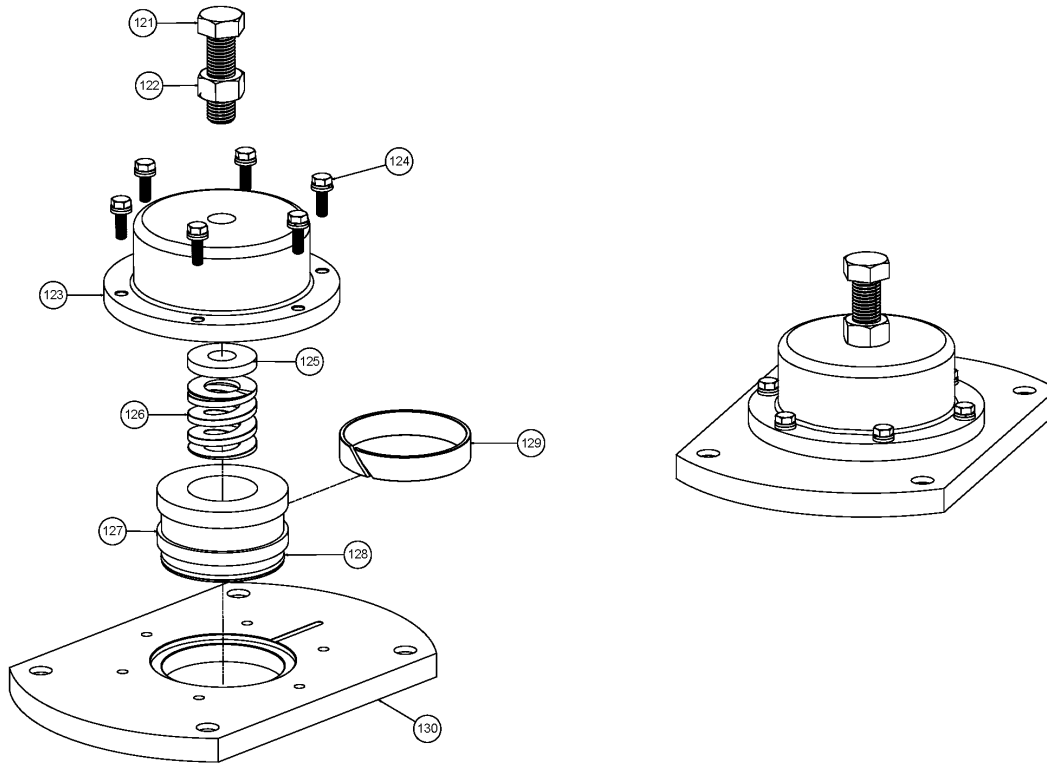
Ref #	Component Item No.	Description	Qty Per
68	E70225	O-RING FOR ROTOR CASE - EPDM	2
	<i>V70225</i>	<i>O-RING FOR ROTOR CASE - VITON</i>	<i>2</i>
76	E70031	O-RING FOR ROTOR - EPDM	2
	<i>V70031</i>	<i>O-RING FOR ROTOR - VITON</i>	<i>2</i>
112	AL20-SE08-SS	SLEEVE, CHROME OXIDE COATED	2
	<i>AL20-SE09-SS</i>	<i>SLEEVE, STAINLESS STEEL</i>	<i>2</i>
	<i>AL20-SE10-SS</i>	<i>SLEEVE, CERAMIC</i>	<i>2</i>



Double O-Ring Seal

Optional Items Shown in ITALICS

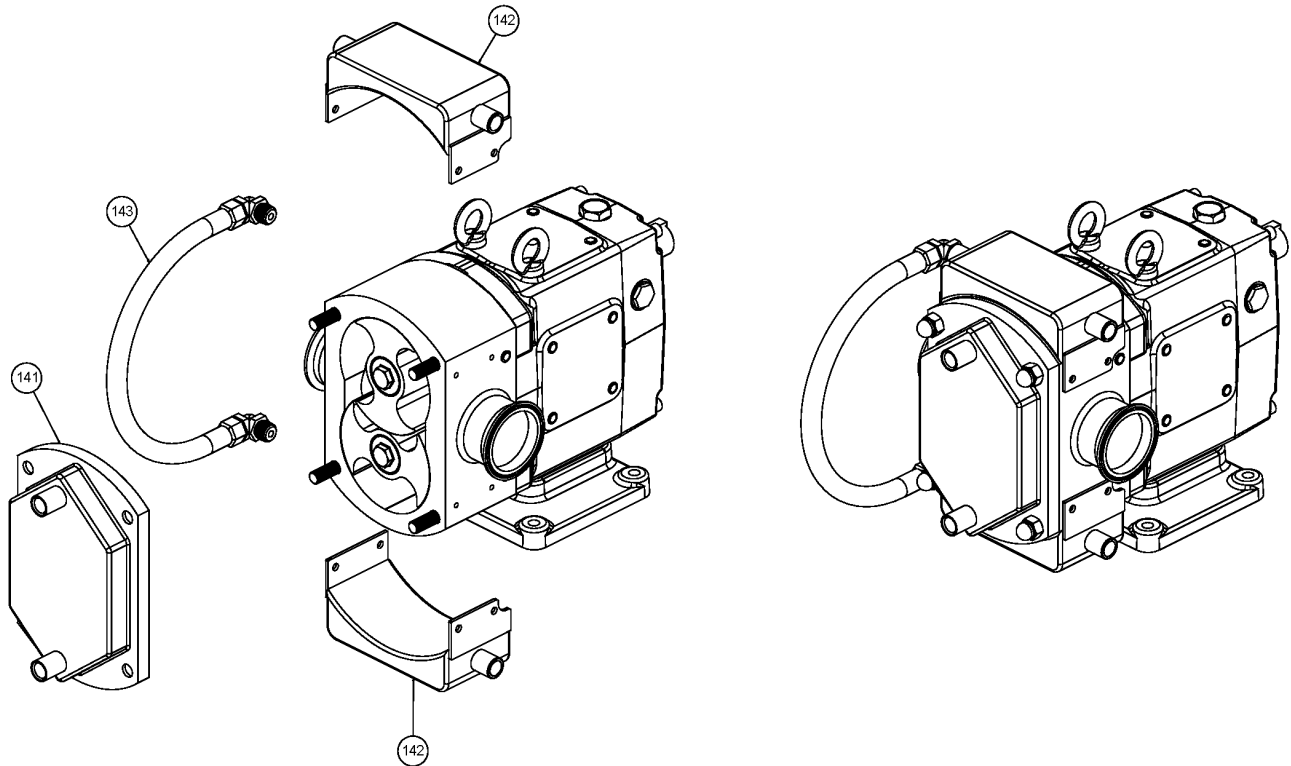
Ref #	Component Item No.	Description	Qty Per
68	V70225	O-RING FOR ROTOR CASE - VITON	2
76	E70031	O-RING FOR ROTOR - EPDM	2
	V70031	O-RING FOR ROTOR - VITON	2
92	E70039	O-RING FOR DOUBLE SEAL CASE - EPDM	2
	V70039	O-RING FOR DOUBLE SEAL CASE - VITON	2
102	AL00-WS01-SS	DIN M6 FENDER WASHER	6
103	AL00-BT01-SS	CAP SCREW FOR OIL SEAL GLAND	6
112	AL20-SE08-SS	SLEEVE, CHROME OXIDE COATED	2
	AL20-SE09-SS	SLEEVE, STAINLESS STEEL	2
	AL20-SE10-SS	SLEEVE, CERAMIC	2
113	AL20-OS02-SS	SS GLAND FOR DOUBLE O-RING	2



Pressure Relief Cover

Optional Items Shown in ITALICS

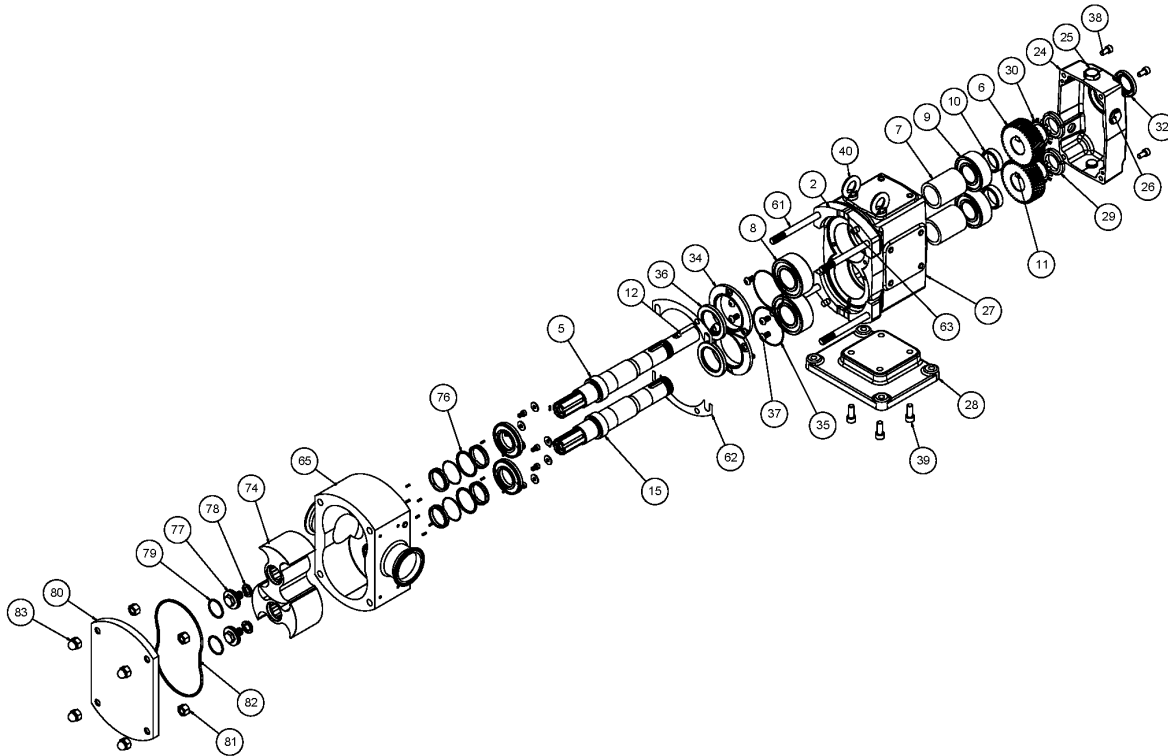
Ref #	Component Item No.	Description	Qty Per
120	GX5517145	BOLT, HEX HEAD	1
121	GX5517000	NUT, HEX HEAD	1
122	AL20-RH02-SS	RELIEF VALVE HOUSING	1
123	GX5512110	BOLT, HEX HEAD	6
124	GX5512010	LOCK WASHER	6
125	AL20-RP04-SS	ADJUSTMENT PIN	1
126	AL20-RS03-CS	SPRING	1
127	AL20-RV02-SS	VALVE HEAD	1
128	AL20-WR01-PF	WEAR RING, TEFLON	1
129	E70144	O-RING, EPDM	1
	V70144	O-RING, VITON	1
130	AL20-FC06-SS	FRONT COVER, VENTED	1
131	AL20-FR01-SS	FRONT COVER ASSEMBLY, VENTED	1



Heating Jackets

Optional Items Shown in ITALICS

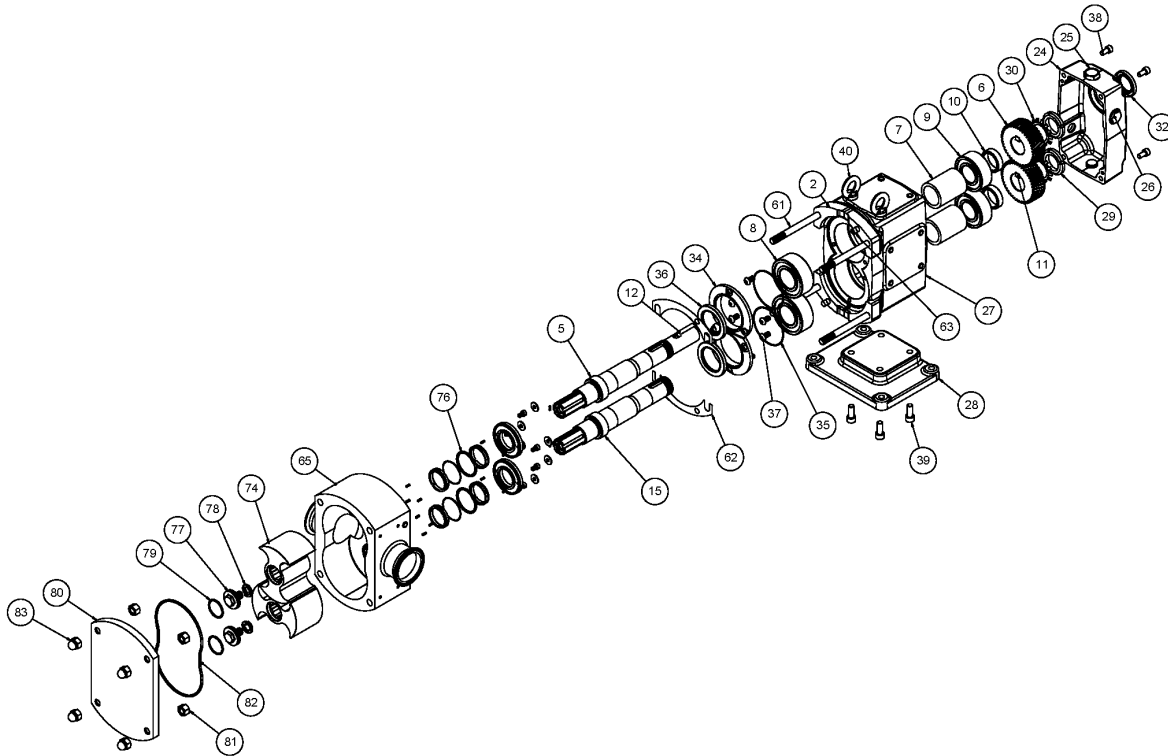
Ref #	Component Item No.	Description	Qty Per
141	AL20-FC04-SS	FRONT COVER WITH JACKET	1
142	AL20-HJ01-SS	CASE HEATING JACKET FOR BODY TOP - AL22	1
	AL20-HJ02-SS	CASE HEATING JACKET FOR BODY BOTTOM - AL22	1
143	AL20-HJ03-SS	CASE HEATING JACKET FOR TUBE ASS'Y - AL200	1



Exploded View

Optional Items Shown in ITALICS

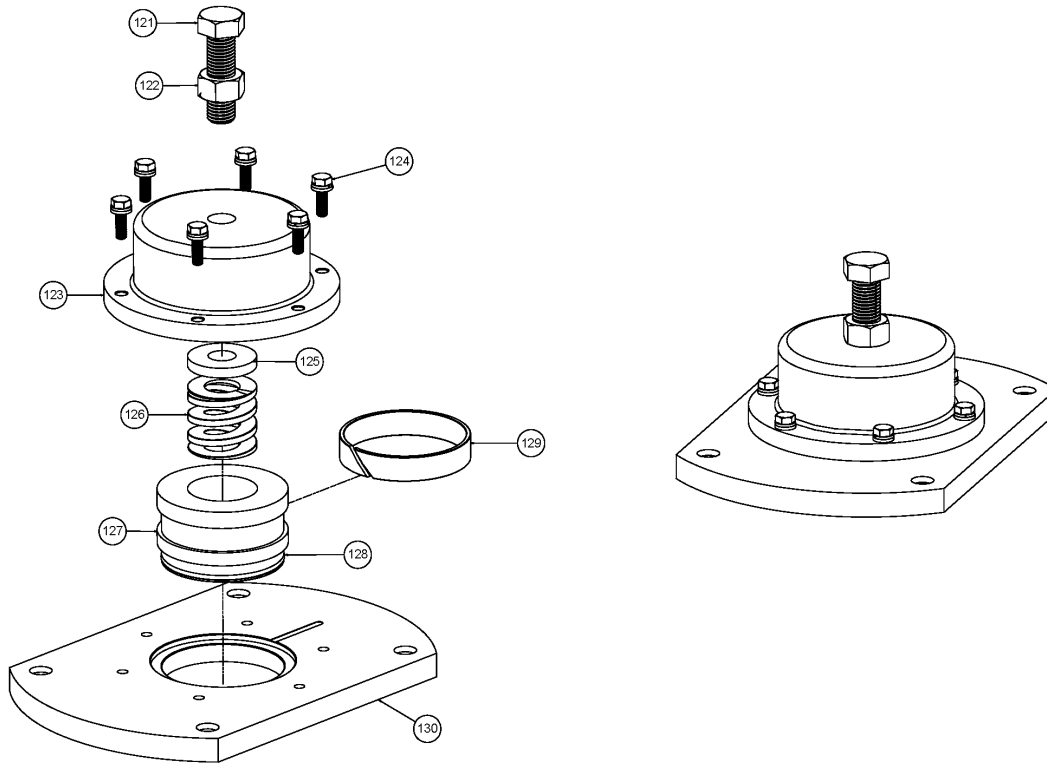
Ref #	Component Item No.	Description	Qty Per
2	AL20-GB03-SS	GEAR BOX - SS	1
5	AL20-SF03-SS	DRIVE SHAFT - AL25	1
6	AL20-HG01-CS	HELICAL GEAR - LEFT HAND	1
	AL20-HG02-CS	HELICAL GEAR - RIGHT HAND	1
7	AL20-BS01-CS	BEARING SPACER	2
8	AL20-BE01-CC	FRONT BEARING	2
9	AL20-BE02-CS	REAR BEARING	2
10	AL20-GS01-CS	GEAR SPACER	2
11	AL20-GK01-CS	GEAR KEY - 10x8x27	2
12	AL20-SK01-CS	SHAFT KEY - 10x8x50	1
13	AL00-PN02-SS	SET PIN FOR DOUBLE SEAL	6
15	AL20-SF04-SS	SHORT SHAFT - AL25	1
24	AL20-GB04-SS	GEAR BOX COVER - SS	1
25	P1GX115798	HEX PLUG WITH NBR SEAL	2
26	P1GX115799	OIL LEVEL INDICATOR	2
27	AL10-PN05-SS	DOWEL FOR GEAR BOX	2
28	AL20-GB05-SS	GEAR BOX BASE - SS	1
29	AL20-LN01-CS	LOCK NUT	2
30	AL20-LW01-CS	LOCK WASHER	2
32	AL20-OS02-L3	REAR OIL SEAL - NBR	1
34	AL20-OS01-SS	OIL SEAL GLAND	2
35	N70041	O-RING FOR OIL SEAL GLAND - NBR	2
36	AL20-OS01-L3	FRONT OIL SEAL - NBR	2
37	AL20-BT01-SS	CAP SCREW FOR OIL SEAL GLAND	6
38	AL20-BT02-SS	CAP SCREW FOR GEAR BOX COVER	4
39	AL20-BT03-SS	CAP SCREW FOR GEAR BASE	4
40	AL20-BT04-SS	EYEBOLT	2



Exploded View

Optional Items Shown in ITALICS

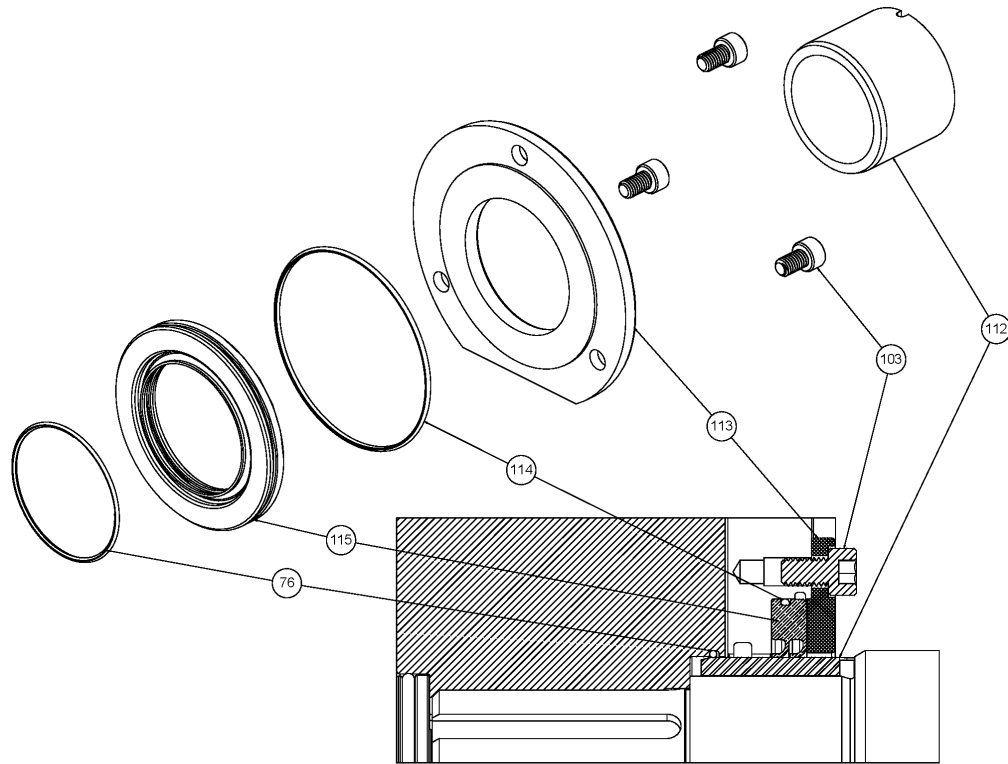
Ref #	Component Item No.	Description	Qty Per
61	AL20-SB02-SS	CASE STUD BOLT - AL25	4
62	AL20-SP01-SS-02	SHIM - 0.002" THICKNESS - AL200 SERIES	2
	AL20-SP01-SS-04	SHIM - 0.004" THICKNESS - AL200 SERIES	2
63	AL20-PN04-SS	DOWEL FOR CASE	2
65	AL20-RC47-SS	ROTOR CASE - AL25	1
74	AL20-RT12-SS-2	ROTOR BI-WING (SIDE) - AL25	1
	AL20-RT12-SS-1	ROTOR BI-WING (TOP) - AL25	1
	AL20-RT13-SS-1	ROTOR BI-WING (TOP) - AL25 - HOT	1
	AL20-RT13-SS-2	ROTOR BI-WING (SIDE) - AL25 - HOT	1
	AL20-RT11-SS-1	ROTOR SINGLE-WING (TOP) - AL25	2
	AL20-RT14-SS-1	ROTOR TRI-LOBE (TOP) - AL25	2
76	E70031	O-RING FOR ROTOR - EPDM	2
	V70031	O-RING FOR ROTOR - VITON	2
77	AL20-RB01-SS	ROTOR BOLT - (HEX HEAD)	2
78	AL20-SW01-SS	SPRING WASHER FOR ROTOR BOLT	2
79	E70125	O-RING FOR ROTOR BOLT - EPDM	2
	V70125	O-RING FOR ROTOR BOLT - VITON	2
80	AL20-FC02-SS	FRONT COVER	1
81	AL20-HN01-SS	HEX NUT/STUD BOLT LOCK	4
82	E70261	O-RING FOR FRONT COVER - EPDM	1
	V70261	O-RING FOR FRONT COVER - VITON	1
	TE70261	O-RING FOR FRONT COVER - TEFLON ENCAP	1
83	AL20-CN01-SS	CAP NUT	4



Pressure Relief Cover

Optional Items Shown in ITALICS

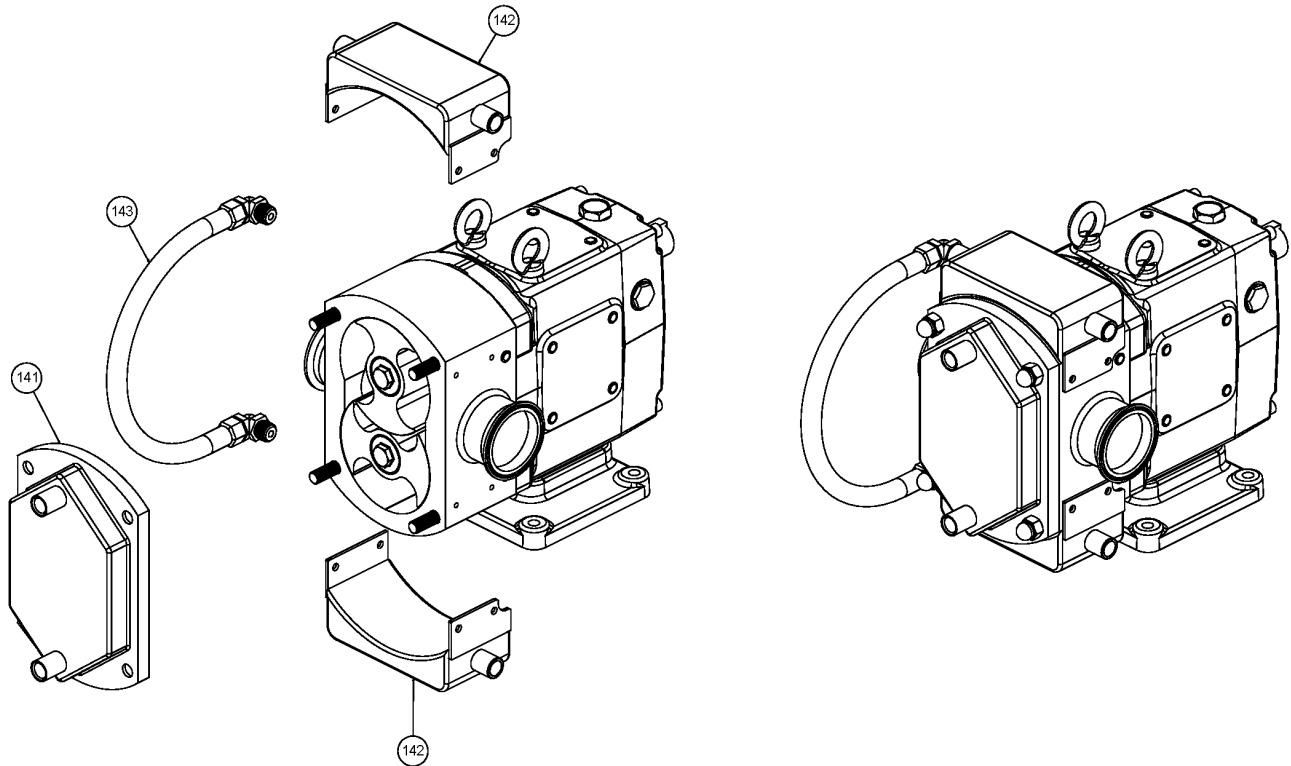
Ref #	Component Item No.	Description	Qty Per
120	GX5517145	BOLT, HEX HEAD	1
121	GX5517000	NUT, HEX HEAD	1
122	AL20-RH02-SS	RELIEF VALVE HOUSING	1
123	GX5512110	BOLT, HEX HEAD	6
124	GX5512010	LOCK WASHER	6
125	AL20-RP04-SS	ADJUSTMENT PIN	1
126	AL20-RS03-CS	SPRING	1
127	AL20-RV02-SS	VALVE HEAD	1
128	AL20-WR01-PF	WEAR RING, TEFLON	1
129	E70144	O-RING, EPDM	1
	V70144	O-RING, VITON	1
130	AL20-FC06-SS	FRONT COVER, VENTED	1
131	AL20-FR01-SS	FRONT COVER ASSEMBLY, VENTED	1



Lip Seal

Optional Items Shown in ITALICS

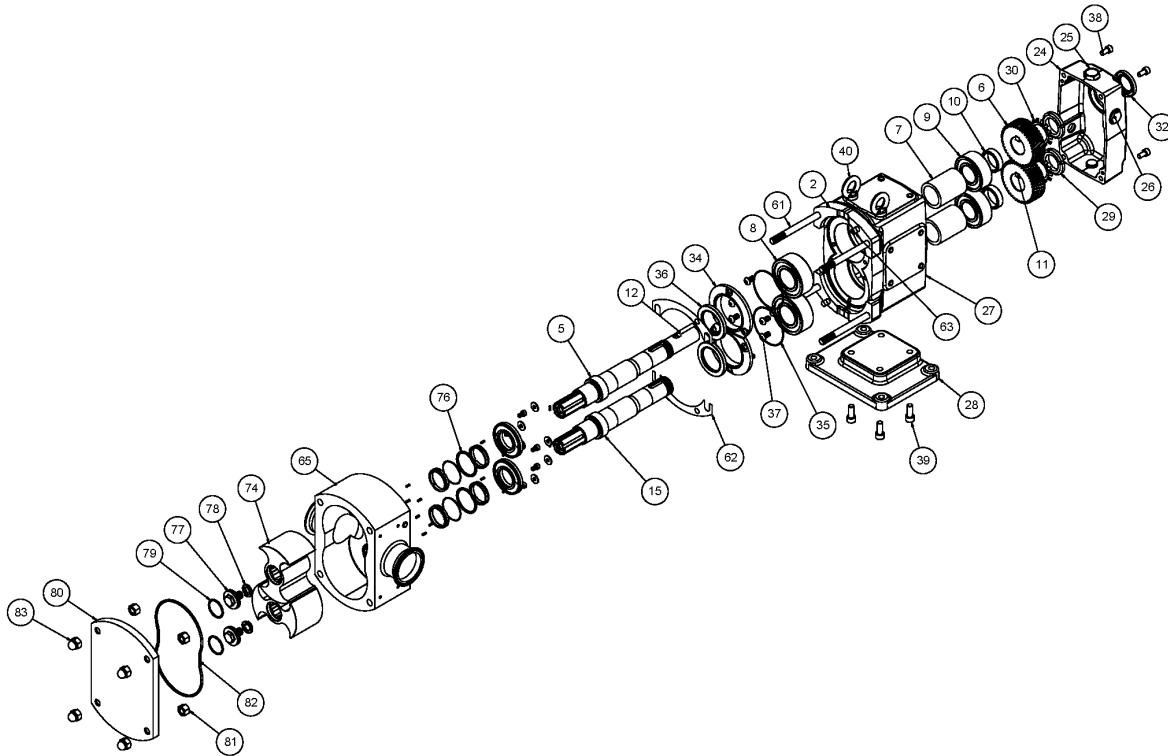
Ref #	Component Item No.	Description	Qty Per
76	E70031	O-RING FOR ROTOR - EPDM	2
	<i>V70031</i>	<i>O-RING FOR ROTOR - VITON</i>	<i>2</i>
103	AL00-BT01-SS	CAP SCREW FOR OIL SEAL GLAND	6
112	AL20-SE08-SS	SLEEVE, CHROME OXIDE COATED	2
113	AL20-SE05-S3	SS GLAND FOR DOUBLE LIP SEAL FOR PRODUCT	2
	<i>AL20-SE06-S3</i>	<i>SS GLAND FOR TRIPLE LIP SEAL FOR PRODUCT</i>	<i>2</i>
114	E70141	O-RING, DOUBLE LIP SEAL - EPDM	2
	<i>V70141</i>	<i>O-RING, DOUBLE LIP SEAL - VITON</i>	<i>2</i>
115	AL20-SE05-S2	DOUBLE LIP SEAL FOR PRODUCT - TEFLON	2
	<i>AL20-SE06-S2</i>	<i>TRIPLE LIP SEAL FOR PRODUCT - TEFLON</i>	<i>2</i>



Heating Jackets

Optional Items Shown in ITALICS

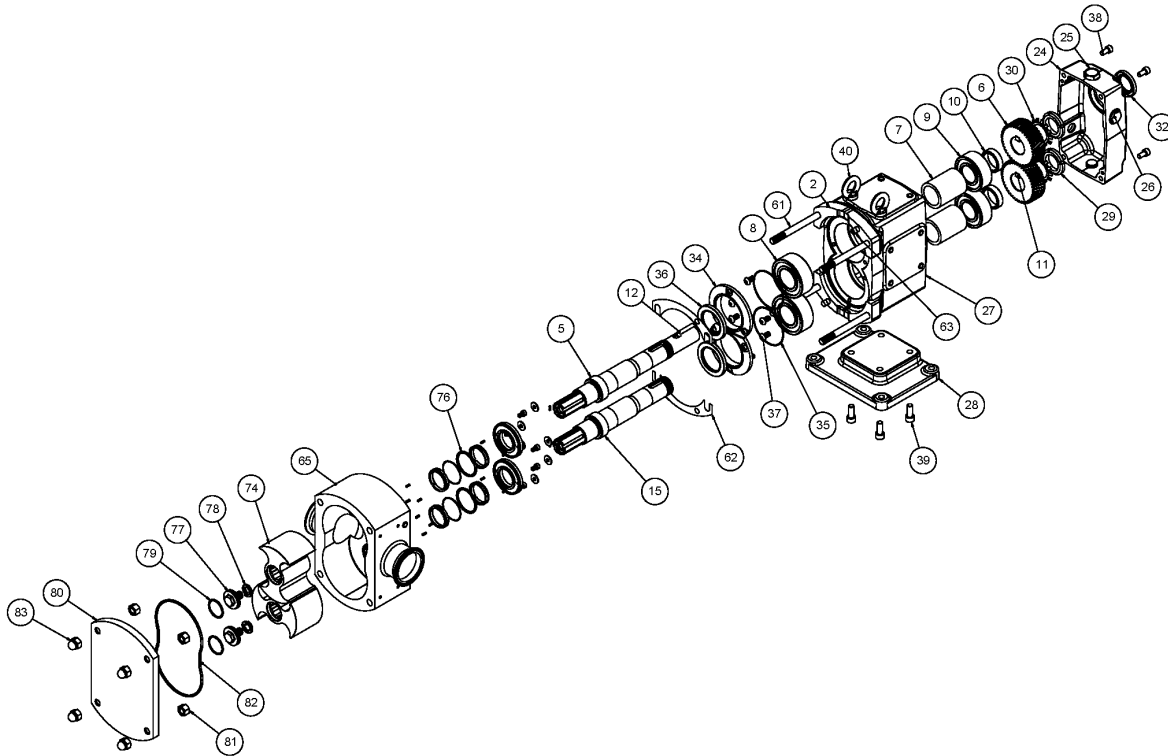
Ref #	Component Item No.	Description	Qty Per
141	AL20-FC04-SS	FRONT COVER WITH JACKET	1
142	AL20-HJ04-SS	CASE HEATING JACKET FOR BODY TOP - AL25	1
	AL20-HJ05-SS	CASE HEATING JACKET FOR BODY BOTTOM - AL25	1
143	AL20-HJ03-SS	CASE HEATING JACKET FOR TUBE ASS'Y - AL200	1



Exploded View

Optional Items Shown in ITALICS

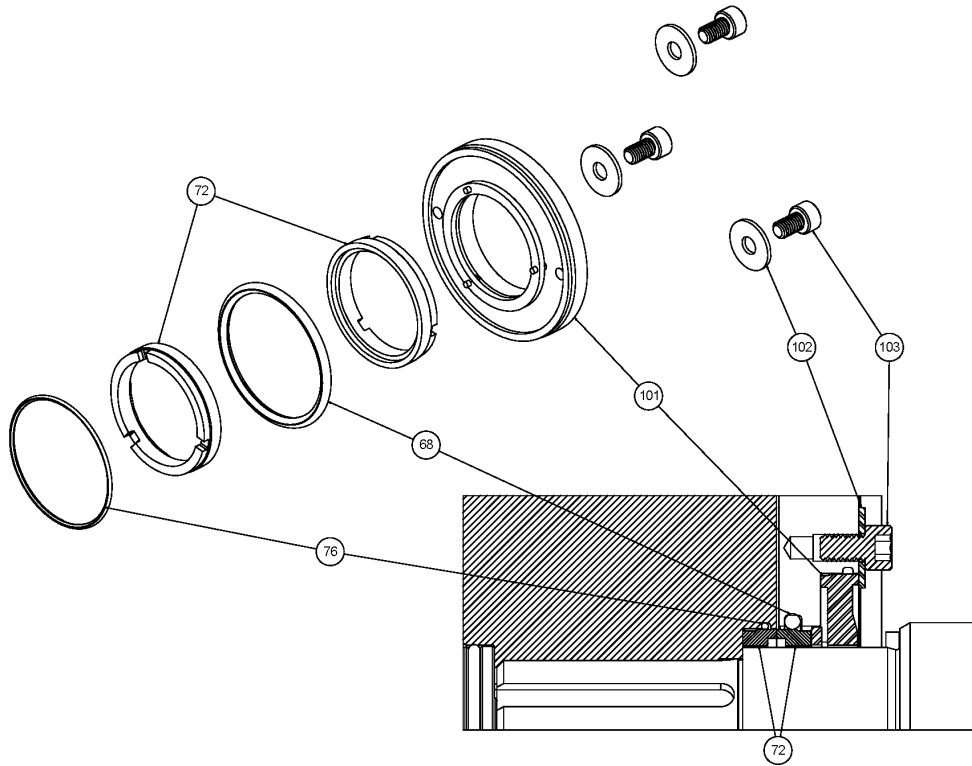
Ref #	Component Item No.	Description	Qty Per
2	AL20-GB03-SS	GEAR BOX - SS	1
5	AL20-SF03-SS	DRIVE SHAFT - AL25	1
6	AL20-HG01-CS	HELICAL GEAR - LEFT HAND	1
	AL20-HG02-CS	HELICAL GEAR - RIGHT HAND	1
7	AL20-BS01-CS	BEARING SPACER	2
8	AL20-BE01-CC	FRONT BEARING	2
9	AL20-BE02-CS	REAR BEARING	2
10	AL20-GS01-CS	GEAR SPACER	2
11	AL20-GK01-CS	GEAR KEY - 10x8x27	2
12	AL20-SK01-CS	SHAFT KEY - 10x8x50	1
13	AL00-PN02-SS	SET PIN FOR DOUBLE SEAL	6
15	AL20-SF04-SS	SHORT SHAFT - AL25	1
24	AL20-GB04-SS	GEAR BOX COVER - SS	1
25	P1GX115798	HEX PLUG WITH NBR SEAL	2
26	P1GX115799	OIL LEVEL INDICATOR	2
27	AL10-PN05-SS	DOWEL FOR GEAR BOX	2
28	AL20-GB05-SS	GEAR BOX BASE - SS	1
29	AL20-LN01-CS	LOCK NUT	2
30	AL20-LW01-CS	LOCK WASHER	2
32	AL20-OS02-L3	REAR OIL SEAL - NBR	1
34	AL20-OS01-SS	OIL SEAL GLAND	2
35	N70041	O-RING FOR OIL SEAL GLAND - NBR	2
36	AL20-OS01-L3	FRONT OIL SEAL - NBR	2
37	AL20-BT01-SS	CAP SCREW FOR OIL SEAL GLAND	6
38	AL20-BT02-SS	CAP SCREW FOR GEAR BOX COVER	4
39	AL20-BT03-SS	CAP SCREW FOR GEAR BASE	4
40	AL20-BT04-SS	EYEBOLT	2



Exploded View

Optional Items Shown in ITALICS

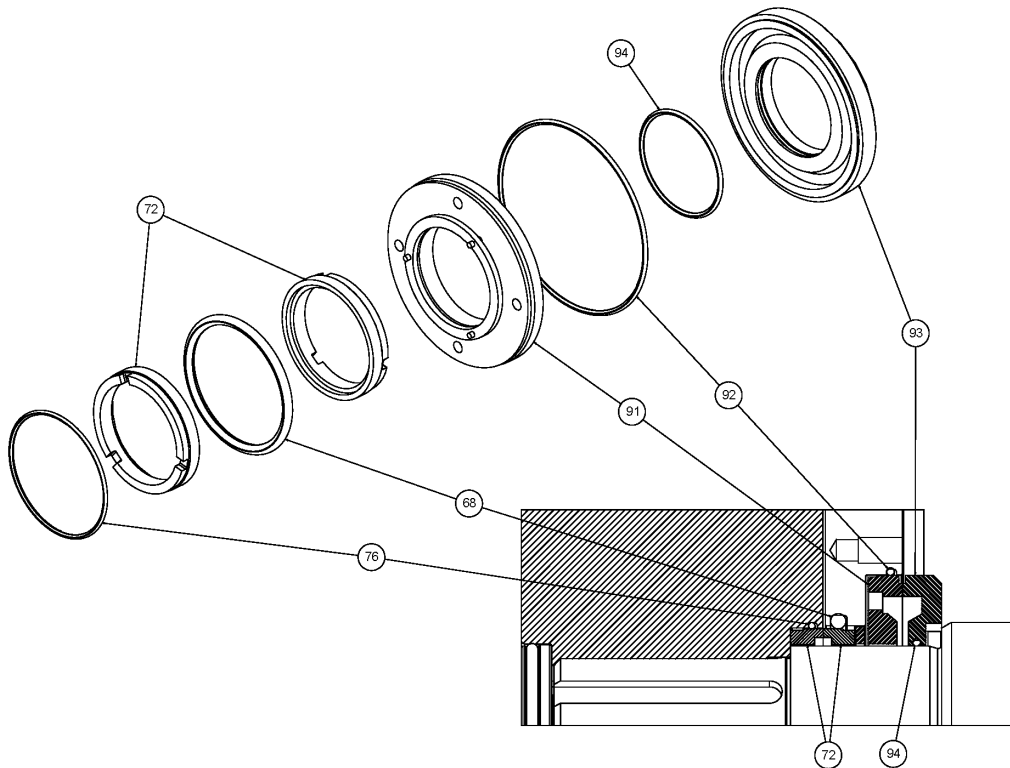
Ref #	Component Item No.	Description	Qty Per
61	AL20-SB02-SS	CASE STUD BOLT - AL25	4
62	AL20-SP01-SS-02	SHIM - 0.002" THICKNESS - AL200 SERIES	2
	AL20-SP01-SS-04	SHIM - 0.004" THICKNESS - AL200 SERIES	2
63	AL20-PN04-SS	DOWEL FOR CASE	2
65	AL20-RC47-SS	ROTOR CASE - AL25	1
74	AL20-RT12-SS-1	ROTOR BI-WING (TOP) - AL25	1
	AL20-RT12-SS-2	ROTOR BI-WING (SIDE) - AL25	1
	AL20-RT13-SS-1	ROTOR BI-WING (TOP) - AL25 - HOT	1
	AL20-RT13-SS-2	ROTOR BI-WING (SIDE) - AL25 - HOT	1
	AL20-RT11-SS-1	ROTOR SINGLE-WING (TOP) - AL25	2
	AL20-RT14-SS-1	ROTOR TRI-LOBE (TOP) - AL25	2
76	E70031	O-RING FOR ROTOR - EPDM	2
	V70031	O-RING FOR ROTOR - VITON	2
77	AL20-RB01-SS	ROTOR BOLT - (HEX HEAD)	2
78	AL20-SW01-SS	SPRING WASHER FOR ROTOR BOLT	2
79	E70125	O-RING FOR ROTOR BOLT - EPDM	2
	V70125	O-RING FOR ROTOR BOLT - VITON	2
80	AL20-FC02-SS	FRONT COVER	1
81	AL20-HN01-SS	HEX NUT/STUD BOLT LOCK	4
82	E70261	O-RING FOR FRONT COVER - EPDM	1
	V70261	O-RING FOR FRONT COVER - VITON	1
	TE70261	O-RING FOR FRONT COVER - TEFLON ENCAP	1
83	AL20-CN01-SS	CAP NUT	4



Single Mechanical Seal

Optional Items Shown in ITALICS

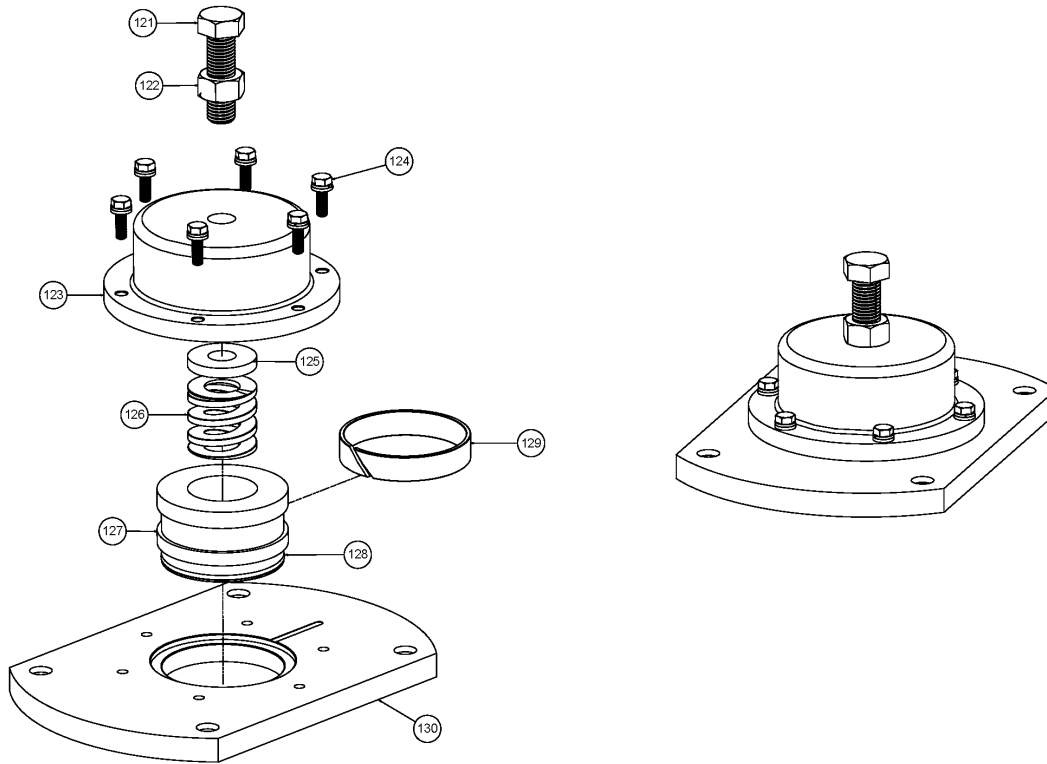
Ref #	Component Item No.	Description	Qty Per
68	E70225	O-RING FOR ROTOR CASE - EPDM	2
	<i>V70225</i>	<i>O-RING FOR ROTOR CASE - VITON</i>	<i>2</i>
72	AL20-SE06-SS	SEAL/MECHANICAL SEAL RING - TC	4
	<i>AL20-SE07-SS</i>	<i>SEAL/MECHANICAL SEAL RING - SC</i>	<i>4</i>
76	E70031	O-RING FOR ROTOR - EPDM	2
	<i>V70031</i>	<i>O-RING FOR ROTOR - VITON</i>	<i>2</i>
101	AL20-SE01-S3	SEAL/SINGLE MECH SEAL BASE	2
102	AL00-WS01-SS	DIN M6 FENDER WASHER	6
103	AL00-BT01-SS	CAP SCREW FOR OIL SEAL GLAND	6



Double Mechanical Seal

Optional Items Shown in ITALICS

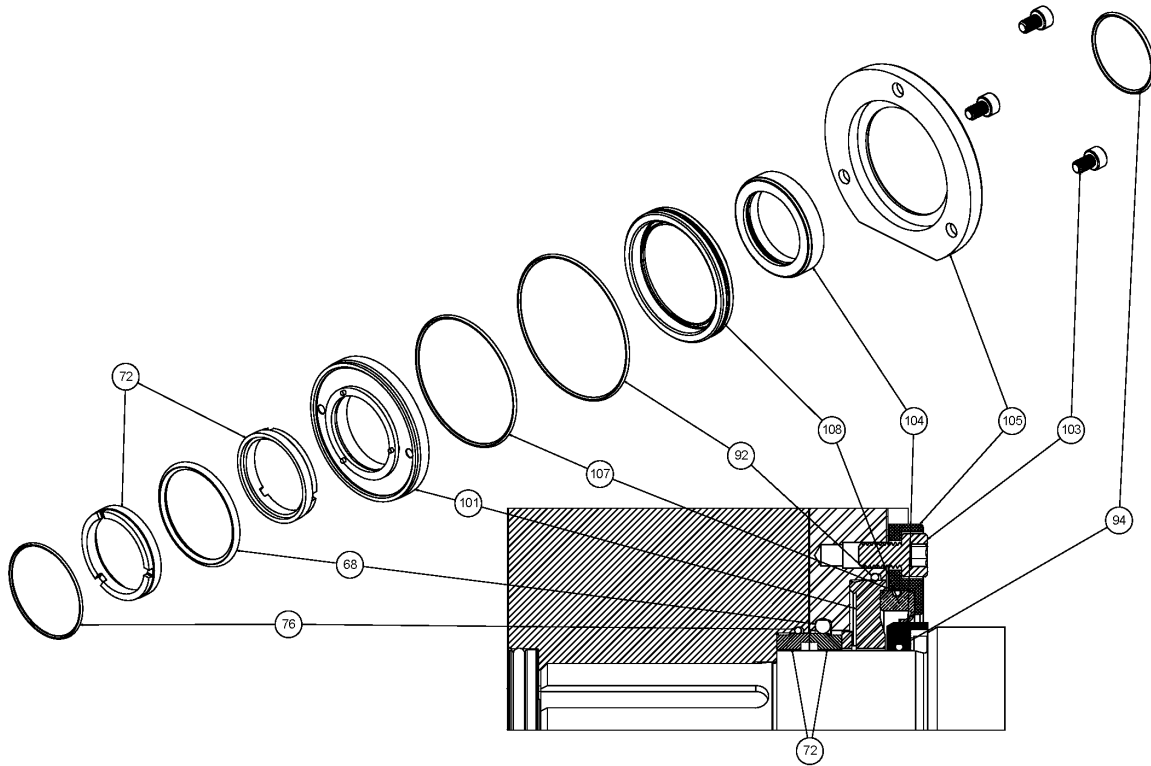
Ref #	Component Item No.	Description	Qty Per
68	E70225	O-RING FOR ROTOR CASE - EPDM	2
	<i>V70225</i>	<i>O-RING FOR ROTOR CASE - VITON</i>	2
72	AL20-SE06-SS	SEAL/MECHANICAL SEAL RING - TC	4
	<i>AL20-SE07-SS</i>	<i>SEAL/MECHANICAL SEAL RING - SC</i>	4
76	E70031	O-RING FOR ROTOR - EPDM	2
	<i>V70031</i>	<i>O-RING FOR ROTOR - VITON</i>	2
91	AL20-SE01-S5	DOUBLE SEAL REAR BASE - SC	2
	<i>AL20-SE01-S6</i>	<i>DOUBLE SEAL REAR BASE - TC</i>	2
92	E70039	O-RING FOR DOUBLE SEAL CASE - EPDM	2
	<i>V70039</i>	<i>O-RING FOR DOUBLE SEAL CASE - VITON</i>	2
93	AL20-SE02-S2	SEAL/FLUSHED SEAL UNIT - SC	2
	<i>AL20-SE02-S1</i>	<i>SEAL/FLUSHED SEAL UNIT - TC</i>	2
94	E70029	O-RING FOR DOUBLE SEAL SHAFT - EPDM	2
	<i>V70029</i>	<i>O-RING FOR DOUBLE SEAL SHAFT - VITON</i>	2



Pressure Relief Cover

Optional Items Shown in ITALICS

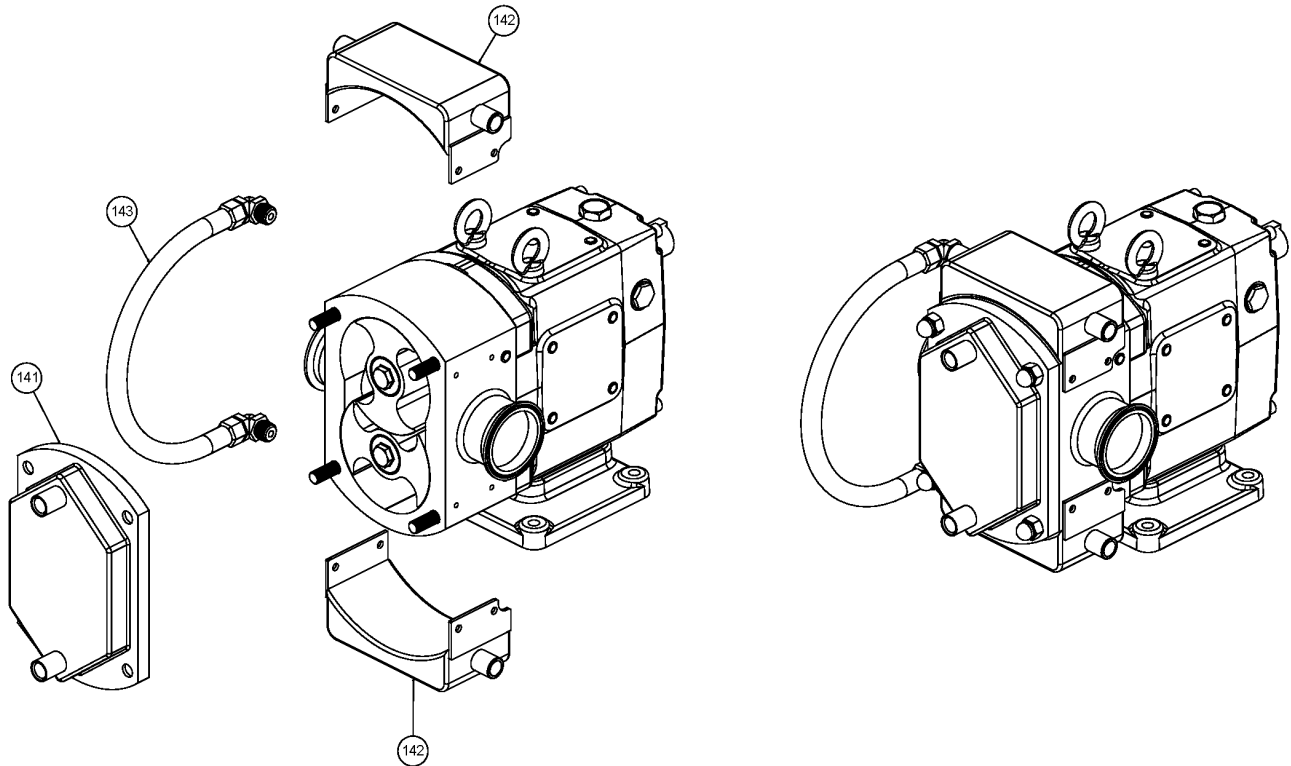
Ref #	Component Item No.	Description	Qty Per
120	GX5517145	BOLT, HEX HEAD	1
121	GX5517000	NUT, HEX HEAD	1
122	AL20-RH02-SS	RELIEF VALVE HOUSING	1
123	GX5512110	BOLT, HEX HEAD	6
124	GX5512010	LOCK WASHER	6
125	AL20-RP04-SS	ADJUSTMENT PIN	1
126	AL20-RS03-CS	SPRING	1
127	AL20-RV02-SS	VALVE HEAD	1
128	AL20-WR01-PF	WEAR RING, TEFLON	1
129	E70144	O-RING, EPDM	1
	V70144	O-RING, VITON	1
130	AL20-FC06-SS	FRONT COVER, VENTED	1
131	AL20-FR01-SS	FRONT COVER ASSEMBLY, VENTED	1



Single Mechanical Seal with Flush

Optional Items Shown in ITALICS

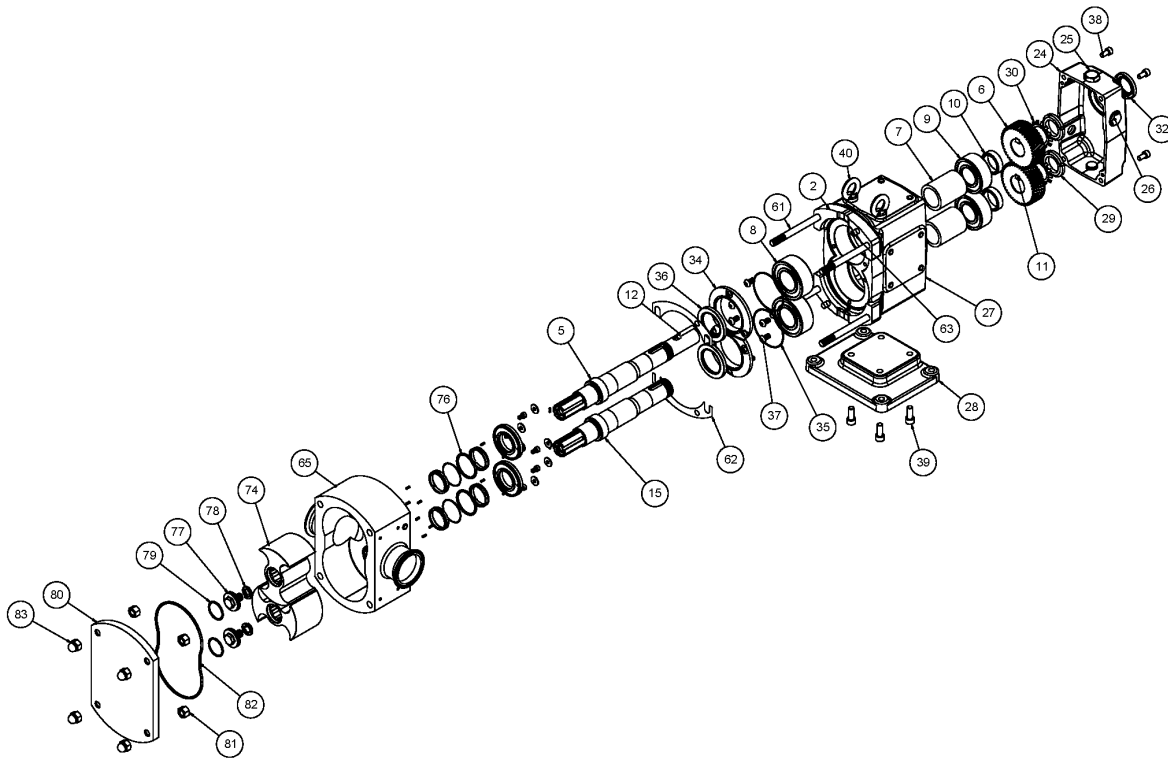
Ref #	Component Item No.	Description	Qty Per
68	E70225	O-RING FOR ROTOR CASE - EPDM	2
	<i>V70225</i>	<i>O-RING FOR ROTOR CASE - VITON</i>	<i>2</i>
72	AL20-SE06-SS	SEAL/MECHANICAL SEAL RING - TC	4
	<i>AL20-SE07-SS</i>	<i>SEAL/MECHANICAL SEAL RING - SC</i>	<i>4</i>
76	E70031	O-RING FOR ROTOR - EPDM	2
	<i>V70031</i>	<i>O-RING FOR ROTOR - VITON</i>	<i>2</i>
101	AL20-SE01-S3	SEAL/SINGLE MECH SEAL BASE	2
103	AL00-BT01-SS	CAP SCREW FOR OIL SEAL GLAND	6
104	AL20-FL02-CE	CERMAIC SLEEVE FOR FLUSHING	2
105	AL20-FL03-SS	SS GLAND FOR FLUSHING	2
107	E70036	O-RING FOR FLUSHED LIP - EPDM	2
	<i>V70036</i>	<i>O-RING FOR FLUSHED LIP - VITON</i>	<i>2</i>
108	AL20-FL01-PF	PTFE - LIP SEAL FOR FLUSHING	2



Heating Jackets

Optional Items Shown in ITALICS

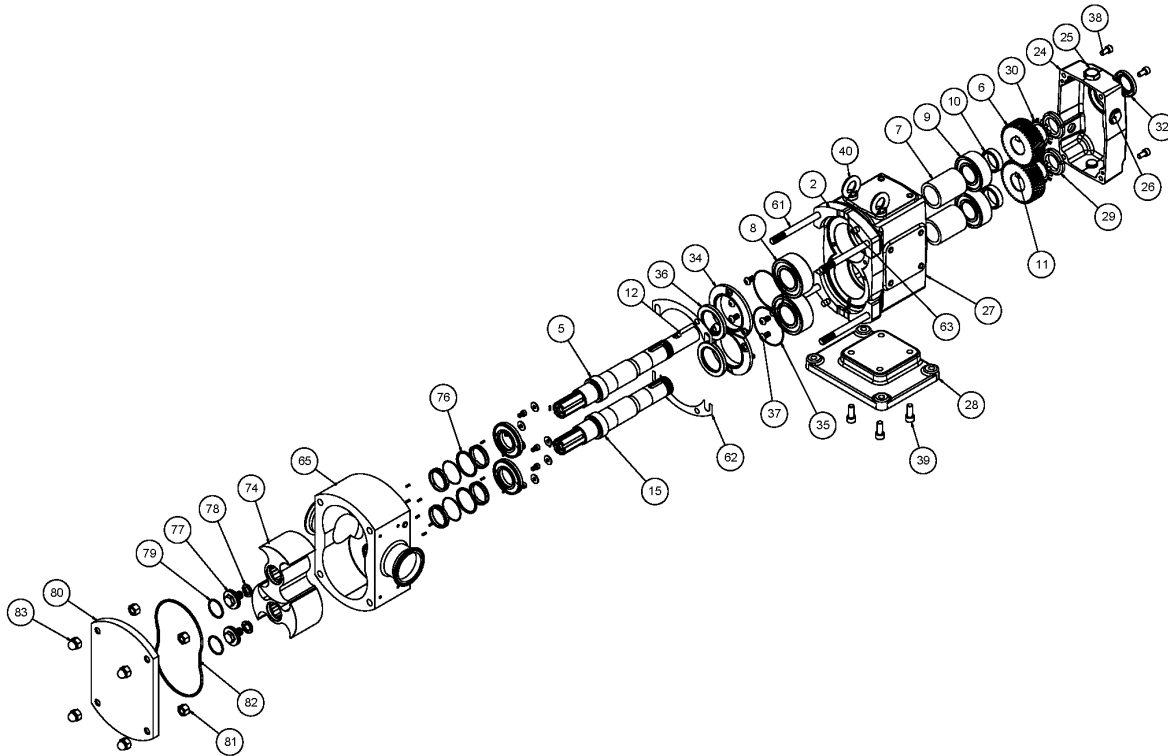
Ref #	Component Item No.	Description	Qty Per
141	AL20-FC04-SS	FRONT COVER WITH JACKET	1
142	AL20-HJ05-SS	CASE HEATING JACKET FOR BODY BOTTOM - AL25	1
	AL20-HJ04-SS	CASE HEATING JACKET FOR BODY TOP - AL25	1
143	AL20-HJ03-SS	CASE HEATING JACKET FOR TUBE ASS'Y - AL200	1



Exploded View

Optional Items Shown in ITALICS

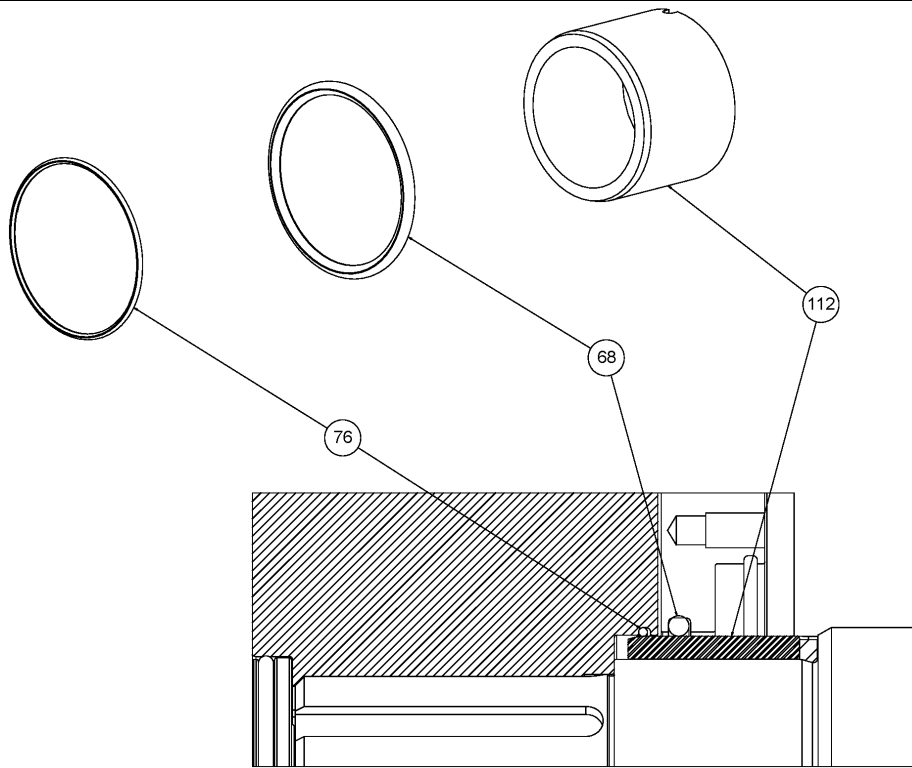
Ref #	Component Item No.	Description	Qty Per
2	AL20-GB03-SS	GEAR BOX - SS	1
5	AL20-SF03-SS	DRIVE SHAFT - AL25	1
6	AL20-HG02-CS	HELICAL GEAR - RIGHT HAND	1
	AL20-HG01-CS	HELICAL GEAR - LEFT HAND	1
7	AL20-BS01-CS	BEARING SPACER	2
8	AL20-BE01-CC	FRONT BEARING	2
9	AL20-BE02-CS	REAR BEARING	2
10	AL20-GS01-CS	GEAR SPACER	2
11	AL20-GK01-CS	GEAR KEY - 10x8x27	2
12	AL20-SK01-CS	SHAFT KEY - 10x8x50	1
13	AL00-PN02-SS	SET PIN FOR DOUBLE SEAL	6
15	AL20-SF04-SS	SHORT SHAFT - AL25	1
24	AL20-GB04-SS	GEAR BOX COVER - SS	1
25	P1GX115798	HEX PLUG WITH NBR SEAL	2
26	P1GX115799	OIL LEVEL INDICATOR	2
27	AL10-PN05-SS	DOWEL FOR GEAR BOX	2
28	AL20-GB05-SS	GEAR BOX BASE - SS	1
29	AL20-LN01-CS	LOCK NUT	2
30	AL20-LW01-CS	LOCK WASHER	2
32	AL20-OS02-L3	REAR OIL SEAL - NBR	1
34	AL20-OS01-SS	OIL SEAL GLAND	2
35	N70041	O-RING FOR OIL SEAL GLAND - NBR	2
36	AL20-OS01-L3	FRONT OIL SEAL - NBR	2
37	AL20-BT01-SS	CAP SCREW FOR OIL SEAL GLAND	6
38	AL20-BT02-SS	CAP SCREW FOR GEAR BOX COVER	4
39	AL20-BT03-SS	CAP SCREW FOR GEAR BASE	4
40	AL20-BT04-SS	EYEBOLT	2



Exploded View

Optional Items Shown in ITALICS

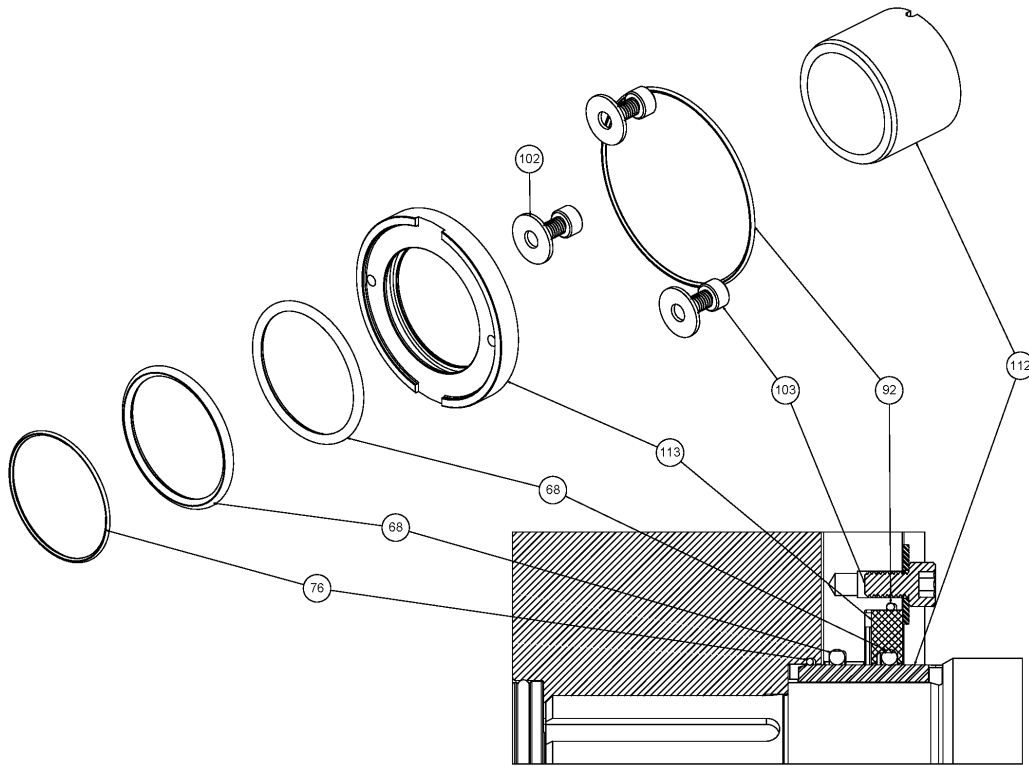
Ref #	Component Item No.	Description	Qty Per
61	AL20-SB02-SS	CASE STUD BOLT - AL25	4
62	AL20-SP01-SS-04	SHIM - 0.004" THICKNESS - AL200 SERIES	2
	AL20-SP01-SS-02	SHIM - 0.002" THICKNESS - AL200 SERIES	2
63	AL20-PN04-SS	DOWEL FOR CASE	2
65	AL20-RC47-SS	ROTOR CASE - AL25	1
74	AL20-RT12-SS-2	ROTOR BI-WING (SIDE) - AL25	1
	AL20-RT12-SS-1	ROTOR BI-WING (TOP) - AL25	1
	AL20-RT13-SS-2	ROTOR BI-WING (SIDE) - AL25 - HOT	1
	AL20-RT13-SS-1	ROTOR BI-WING (TOP) - AL25 - HOT	1
	AL20-RT11-SS-1	ROTOR SINGLE-WING (TOP) - AL25	2
	AL20-RT14-SS-1	ROTOR TRI-LOBE (TOP) - AL25	2
76	E70031	O-RING FOR ROTOR - EPDM	2
	V70031	O-RING FOR ROTOR - VITON	2
77	AL20-RB01-SS	ROTOR BOLT - (HEX HEAD)	2
78	AL20-SW01-SS	SPRING WASHER FOR ROTOR BOLT	2
79	E70125	O-RING FOR ROTOR BOLT - EPDM	2
	V70125	O-RING FOR ROTOR BOLT - VITON	2
80	AL20-FC02-SS	FRONT COVER	1
81	AL20-HN01-SS	HEX NUT/STUD BOLT LOCK	4
82	E70261	O-RING FOR FRONT COVER - EPDM	1
	V70261	O-RING FOR FRONT COVER - VITON	1
	TE70261	O-RING FOR FRONT COVER - TEFLON ENCAP	1
83	AL20-CN01-SS	CAP NUT	4



Single O-Ring Seal

Optional Items Shown in ITALICS

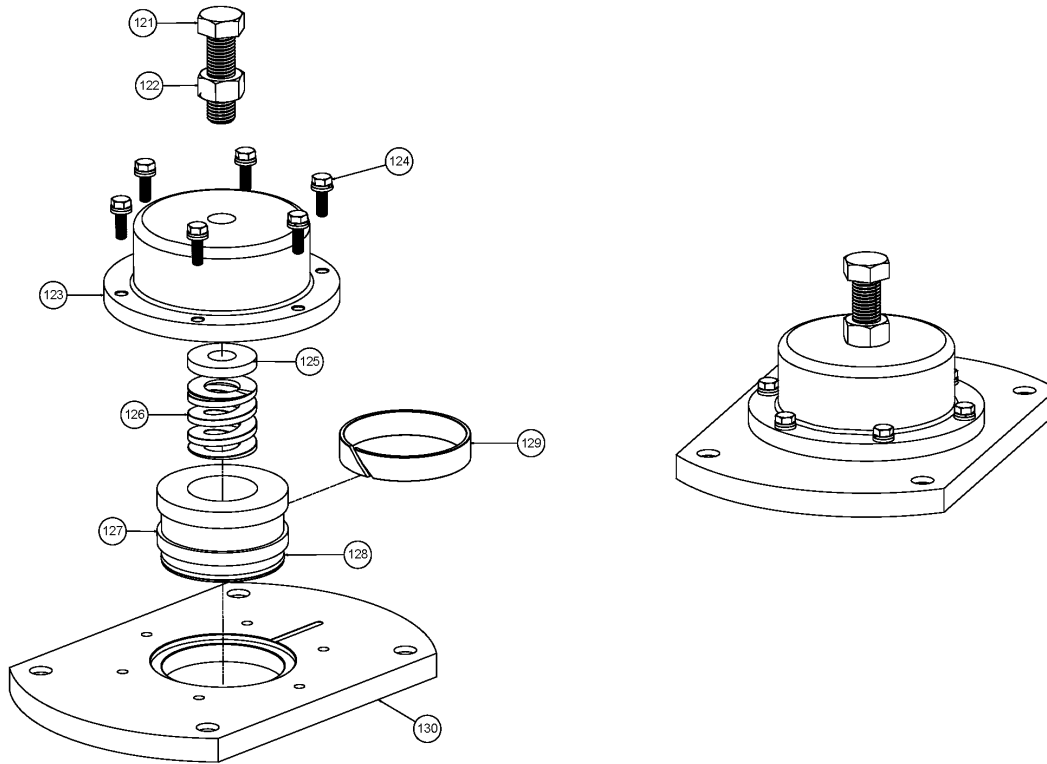
Ref #	Component Item No.	Description	Qty Per
68	E70225	O-RING FOR ROTOR CASE - EPDM	2
	<i>V70225</i>	<i>O-RING FOR ROTOR CASE - VITON</i>	<i>2</i>
76	E70031	O-RING FOR ROTOR - EPDM	2
	<i>V70031</i>	<i>O-RING FOR ROTOR - VITON</i>	<i>2</i>
112	AL20-SE08-SS	SLEEVE, CHROME OXIDE COATED	2
	<i>AL20-SE09-SS</i>	<i>SLEEVE, STAINLESS STEEL</i>	<i>2</i>
	<i>AL20-SE10-SS</i>	<i>SLEEVE, CERAMIC</i>	<i>2</i>



Double O-Ring Seal

Optional Items Shown in ITALICS

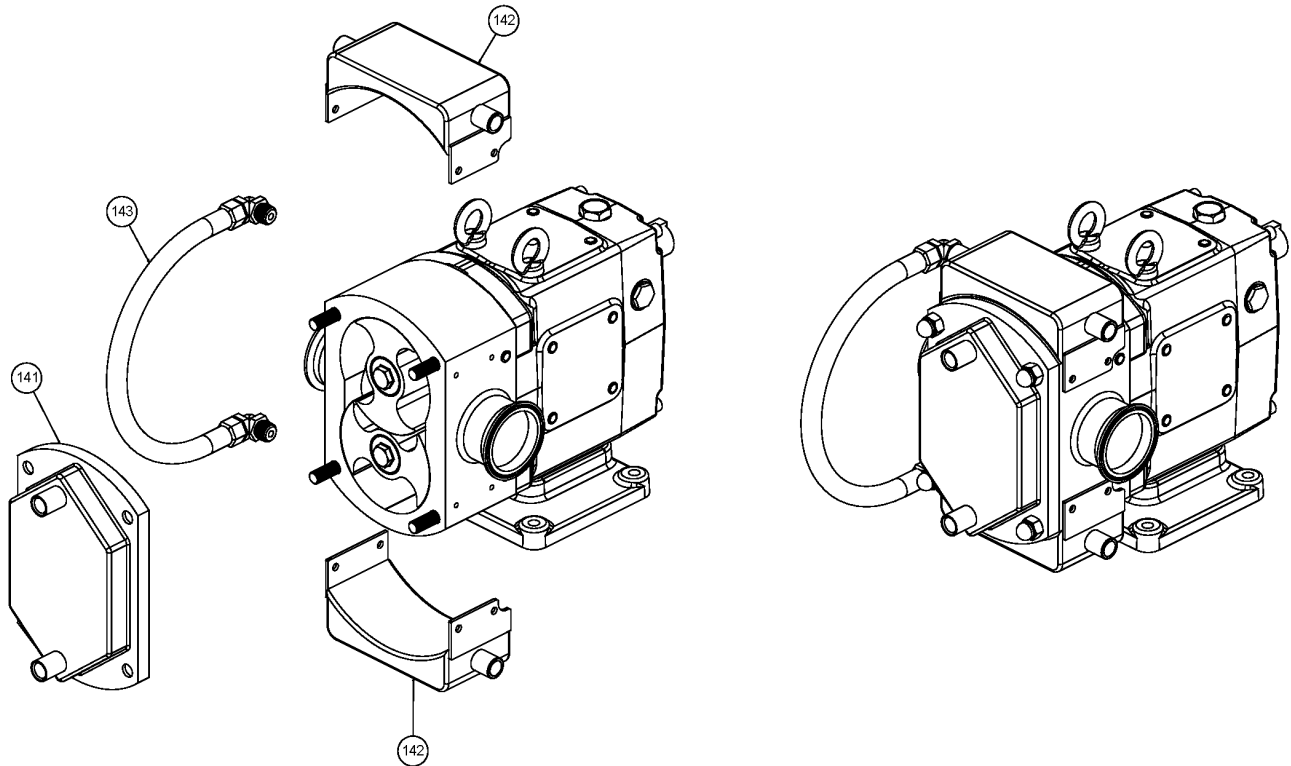
Ref #	Component Item No.	Description	Qty Per
68	V70225	O-RING FOR ROTOR CASE - VITON	2
76	E70031	O-RING FOR ROTOR - EPDM	2
	V70031	O-RING FOR ROTOR - VITON	2
92	E70039	O-RING FOR DOUBLE SEAL CASE - EPDM	2
	V70039	O-RING FOR DOUBLE SEAL CASE - VITON	2
102	AL00-WS01-SS	DIN M6 FENDER WASHER	6
103	AL00-BT01-SS	CAP SCREW FOR OIL SEAL GLAND	6
112	AL20-SE08-SS	SLEEVE, CHROME OXIDE COATED	2
	AL20-SE09-SS	SLEEVE, STAINLESS STEEL	2
	AL20-SE10-SS	SLEEVE, CERAMIC	2
113	AL20-OS02-SS	SS GLAND FOR DOUBLE O-RING	2



Pressure Relief Cover

Optional Items Shown in ITALICS

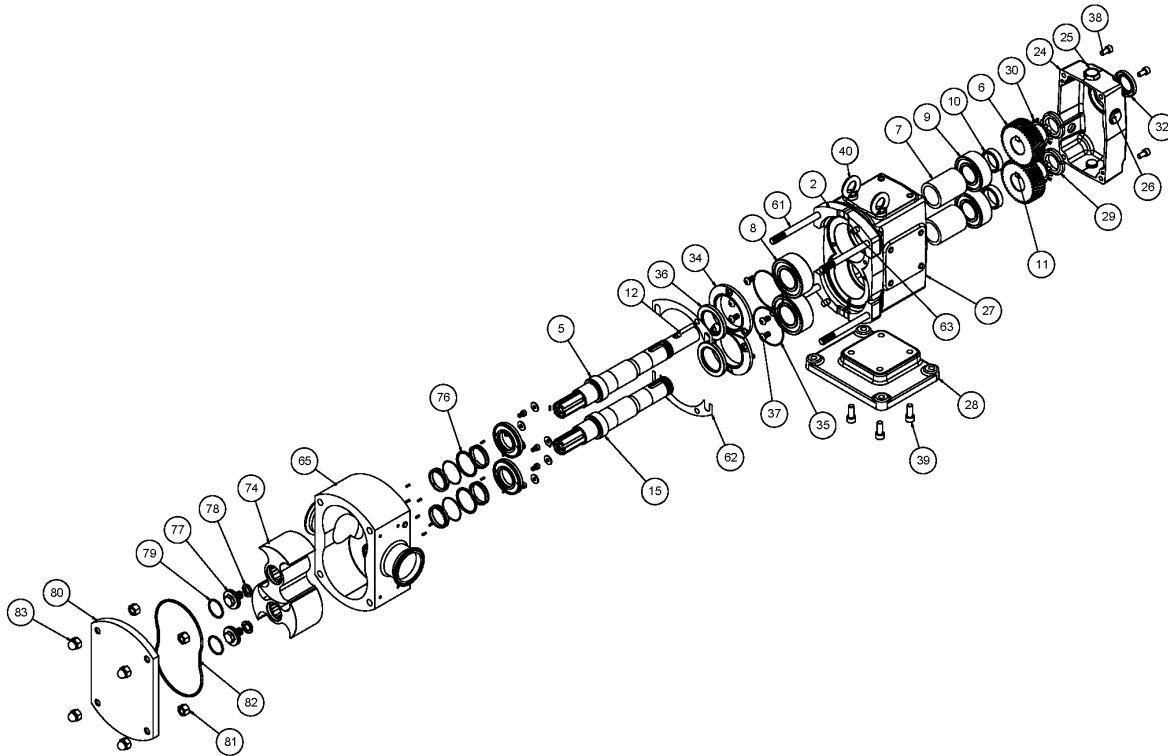
Ref #	Component Item No.	Description	Qty Per
120	GX5517145	BOLT, HEX HEAD	1
121	GX5517000	NUT, HEX HEAD	1
122	AL20-RH02-SS	RELIEF VALVE HOUSING	1
123	GX5512110	BOLT, HEX HEAD	6
124	GX5512010	LOCK WASHER	6
125	AL20-RP04-SS	ADJUSTMENT PIN	1
126	AL20-RS03-CS	SPRING	1
127	AL20-RV02-SS	VALVE HEAD	1
128	AL20-WR01-PF	WEAR RING, TEFLON	1
129	E70144	O-RING, EPDM	1
	V70144	O-RING, VITON	1
130	AL20-FC06-SS	FRONT COVER, VENTED	1
131	AL20-FR01-SS	FRONT COVER ASSEMBLY, VENTED	1



Heating Jackets

Optional Items Shown in ITALICS

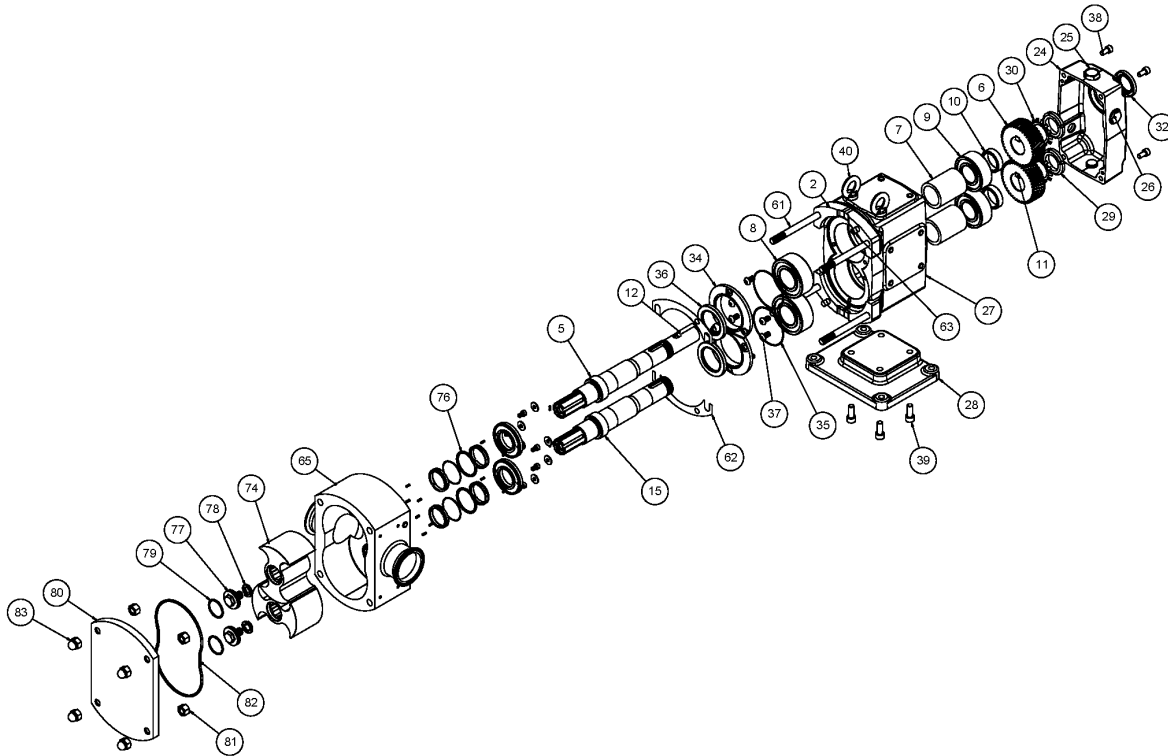
Ref #	Component Item No.	Description	Qty Per
141	AL20-FC04-SS	FRONT COVER WITH JACKET	1
142	AL20-HJ04-SS	CASE HEATING JACKET FOR BODY TOP - AL25	1
	AL20-HJ05-SS	CASE HEATING JACKET FOR BODY BOTTOM - AL25	1
143	AL20-HJ03-SS	CASE HEATING JACKET FOR TUBE ASS'Y - AL200	1



Exploded View

Optional Items Shown in ITALICS

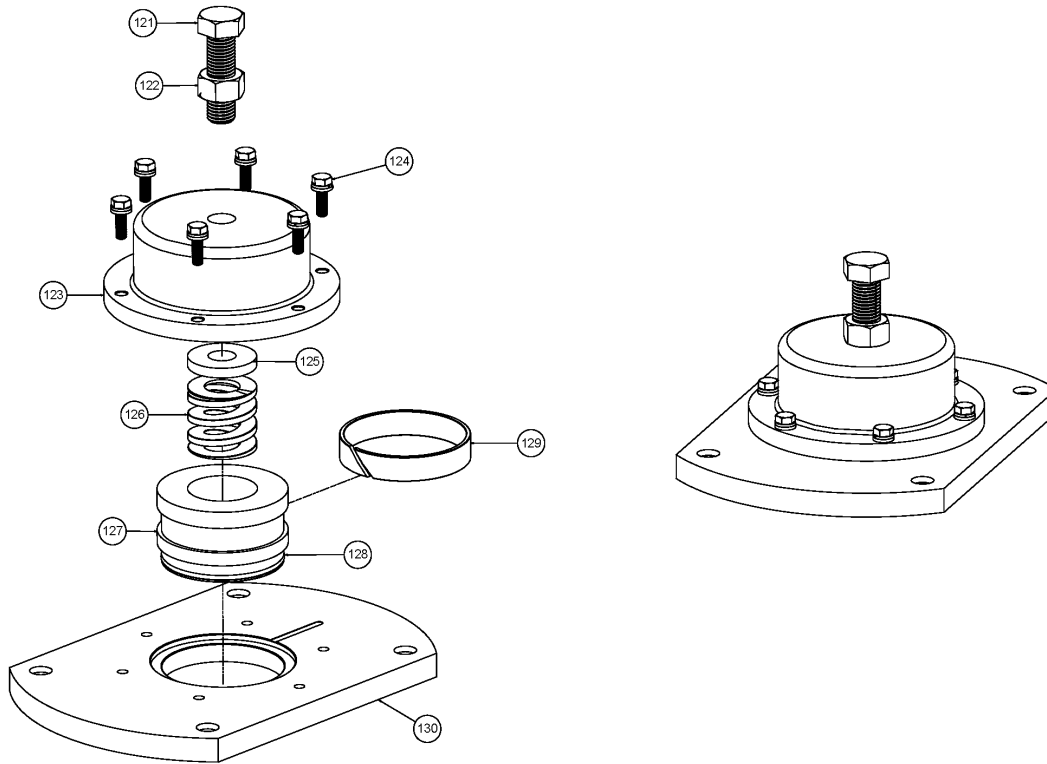
Ref #	Component Item No.	Description	Qty Per
2	AL30-GB03-SS	GEAR BOX - SS	1
5	AL30-SF01-SS	DRIVE SHAFT - AL33	1
6	AL30-HG02-CS	HELICAL GEAR - RIGHT HAND	1
	AL30-HG01-CS	HELICAL GEAR - LEFT HAND	1
7	AL30-BS01-CS	BEARING SPACER	2
8	AL30-BE01-CC	FRONT BEARING	2
9	AL30-BE02-CS	REAR BEARING	2
10	AL30-GS01-CS	GEAR SPACER	2
11	AL30-GK01-CS	GEAR KEY - 14x9x36	2
12	AL30-SK01-CS	SHAFT KEY - 14x9x36	1
13	AL00-PN02-SS	SET PIN FOR DOUBLE SEAL	8
15	AL30-SF02-SS	SHORT SHAFT - AL33	1
24	AL30-GB04-SS	GEAR BOX COVER - SS	1
25	P1GX115798	HEX PLUG WITH NBR SEAL	2
26	P1GX115799	OIL LEVEL INDICATOR	2
27	AL30-PN05-SS	DOWEL FOR GEAR BOX, AL300/AL400	2
28	AL30-GB05-SS	GEAR BOX BASE - SS	1
29	AL30-LN01-CS	LOCK NUT	2
30	AL30-LW01-CS	LOCK WASHER	2
32	AL30-OS02-L3	REAR OIL SEAL - NBR	1
34	AL30-OS01-SS	OIL SEAL GLAND	2
35	N70046	O-RING FOR OIL SEAL GLAND - NBR	2
36	AL30-OS01-L3	FRONT OIL SEAL - NBR	2
37	AL30-BT01-SS	CAP SCREW FOR OIL SEAL GLAND	8
38	AL30-BT02-SS	CAP SCREW FOR GEAR BOX COVER	4
39	AL30-BT03-SS	CAP SCREW FOR GEAR BASE	4
40	AL30-BT04-SS	EYEBOLT	2



Exploded View

Optional Items Shown in ITALICS

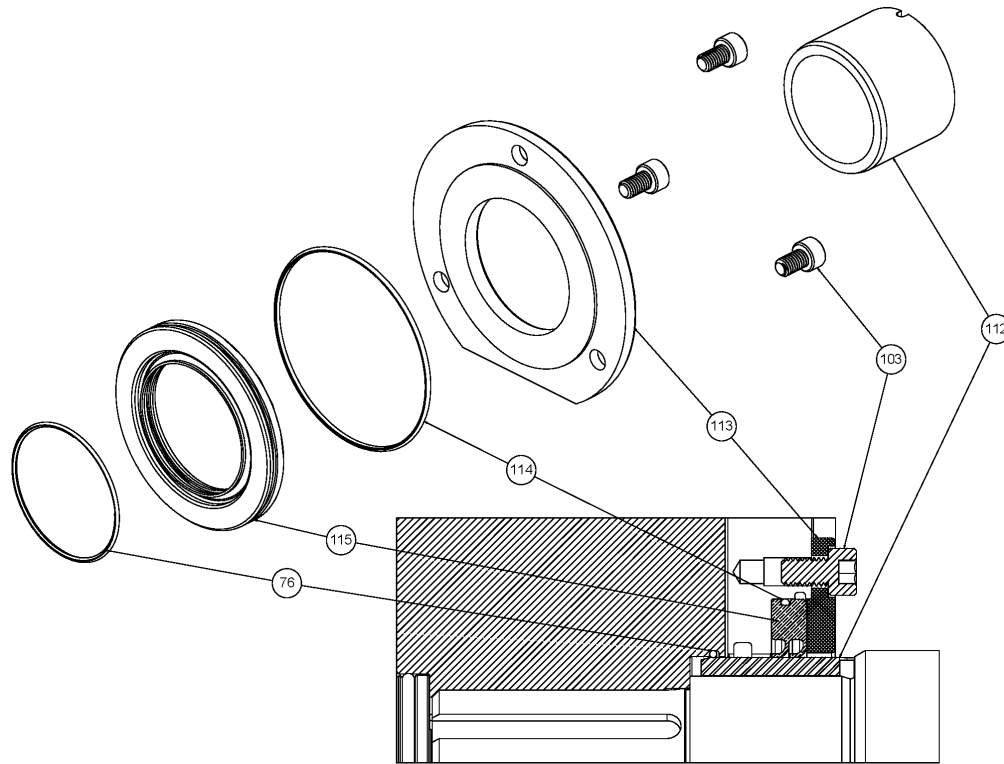
Ref #	Component Item No.	Description	Qty Per
61	AL30-SB01-SS	CASE STUD BOLT - AL33	4
62	AL30-SP01-SS-02	SHIM - 0.002" THICKNESS - AL300 SERIES	2
	AL30-SP01-SS-04	SHIM - 0.004" THICKNESS - AL300 SERIES	2
63	AL30-PN04-SS	DOWEL FOR CASE	2
65	AL30-RC07-SS	ROTOR CASE - AL33	1
68	E70230	O-RING FOR ROTOR CASE - EPDM	2
	V70230	O-RING FOR ROTOR CASE - VITON	2
72	AL30-SE06-SS	SEAL/MECHANICAL SEAL RING - TC	4
	AL30-SE07-SS	SEAL/MECHANICAL SEAL RING - SC	4
74	AL30-RT02-SS-2	ROTOR BI-WING (SIDE) - AL33	1
	AL30-RT02-SS-1	ROTOR BI-WING (TOP) - AL33	1
	AL30-RT02-SS-1H	ROTOR BI-WING (TOP) - AL33 - HOT	1
	AL30-RT02-SS-2H	ROTOR BI-WING (SIDE) - AL33 - HOT	1
	AL30-RT01-SS-1	ROTOR SINGLE-WING (TOP) - AL33	2
	AL30-RT04-SS-1	ROTOR TRI-LOBE (TOP) - AL33	2
76	E70142	O-RING FOR ROTOR - EPDM	2
	V70142	O-RING FOR ROTOR - VITON	2
77	AL30-RB01-SS	ROTOR BOLT - (HEX HEAD)	2
78	AL30-SW01-SS	SPRING WASHER FOR ROTOR BOLT	2
79	E70225	O-RING FOR ROTOR BOLT - EPDM	2
	V70225	O-RING FOR ROTOR BOLT - VITON	2
80	AL30-FC01-SS	FRONT COVER	1
81	AL30-HN01-SS	HEX NUT/STUD BOLT LOCK	4
82	E70271	O-RING FOR FRONT COVER - EPDM	1
	V70271	O-RING FOR FRONT COVER - VITON	1
	TE70271	O-RING FOR FRONT COVER - TEFLON ENCAP	1
83	AL30-CN01-SS	CAP NUT	4



Pressure Relief Cover

Optional Items Shown in ITALICS

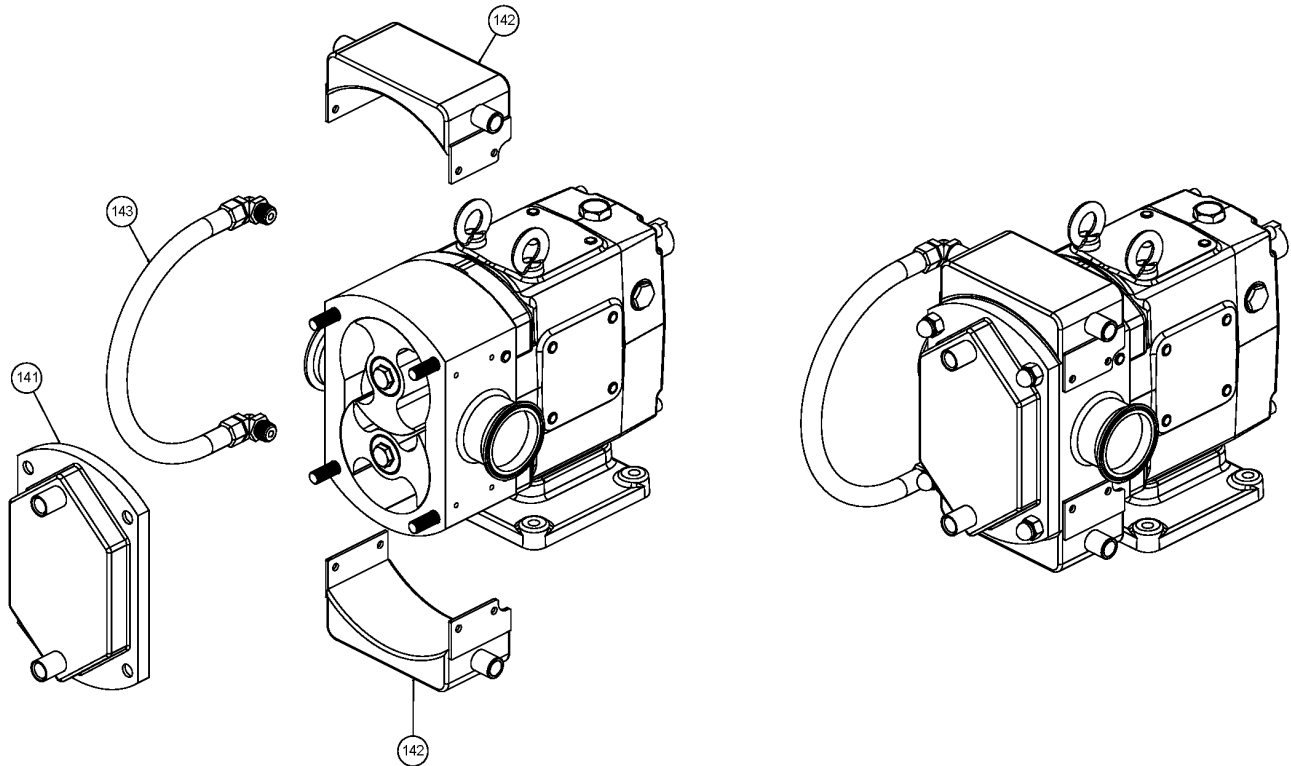
Ref #	Component Item No.	Description	Qty Per
120	GX5519190	BOLT, HEX HEAD	1
121	GX5519000	NUT, HEX HEAD	1
122	AL30-RH02-SS	RELIEF VALVE HOUSING	1
123	GX5512110	BOLT, HEX HEAD	8
124	GX5512010	LOCK WASHER	8
125	AL40-RP03-SS	ADJUSTMENT PIN, AL300/AL400	1
126	AL30-RS03-CS	SPRING, AL300/AL400	1
127	AL40-RV02-SS	VALVE HEAD, AL300/AL400	1
128	AL40-WR01-PF	WEAR RING, TEFLON, AL300/AL400	1
129	E70238	O-RING, EPDM	1
	V70238	O-RING, VITON	1
130	AL30-FC04-SS	FRONT COVER, VENTED	1
131	AL30-FR01-SS	FRONT COVER ASSEMBLY, VENTED	1



Lip Seal

Optional Items Shown in ITALICS

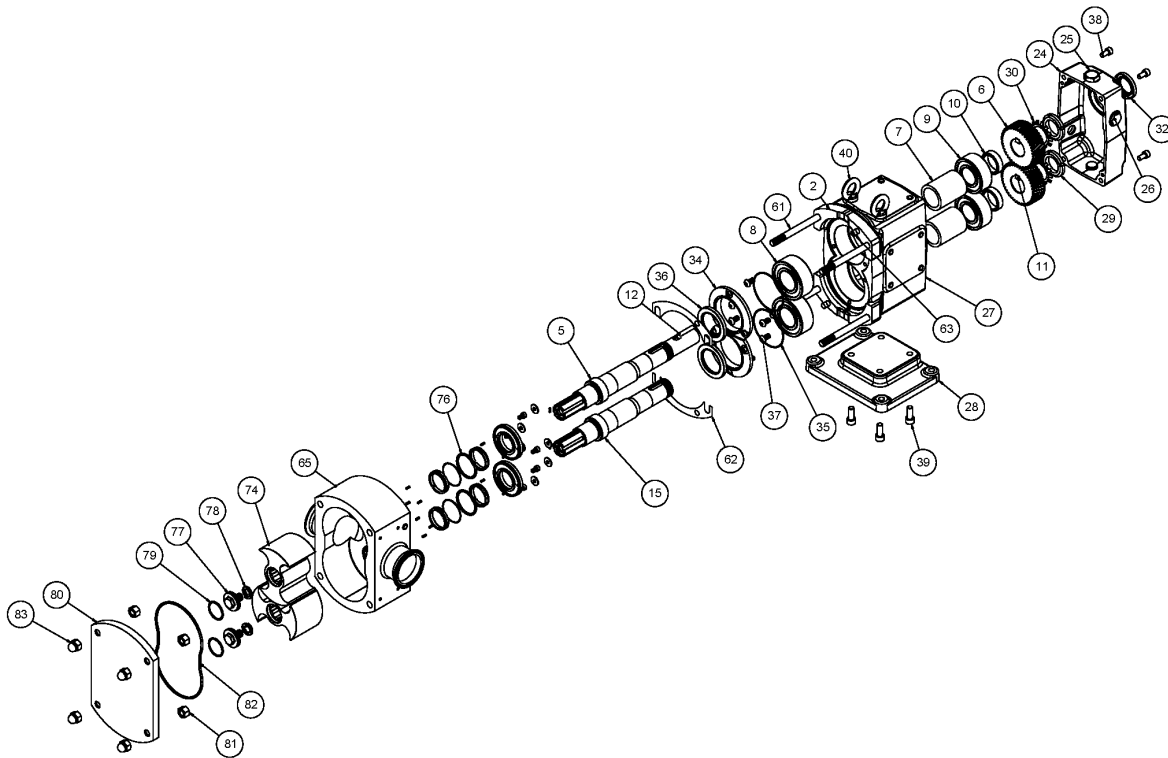
Ref #	Component Item No.	Description	Qty Per
76	E70142	O-RING FOR ROTOR - EPDM	2
	<i>V70142</i>	<i>O-RING FOR ROTOR - VITON</i>	<i>2</i>
103	AL00-BT01-SS	CAP SCREW FOR SEAL RETAINER	6
112	AL30-SE08-SS	SLEEVE, CHROME OXIDE COATED	2
113	AL30-SE05-S3	SS GLAND FOR DOUBLE LIP SEAL FOR PRODUCT	2
	<i>AL30-SE06-S3</i>	<i>SS GLAND FOR TRIPLE LIP SEAL FOR PRODUCT</i>	<i>2</i>
114	E70151	O-RING, DOUBLE LIP SEAL - EPDM	2
	<i>V70151</i>	<i>O-RING, DOUBLE LIP SEAL - VITON</i>	<i>2</i>
115	AL30-SE05-S2	DOUBLE LIP SEAL FOR PRODCUT - TEFLON	2
	<i>AL30-SE06-S2</i>	<i>TRIPLE LIP SEAL FOR PRODUCT - TEFLON</i>	<i>2</i>



Heating Jackets

Optional Items Shown in ITALICS

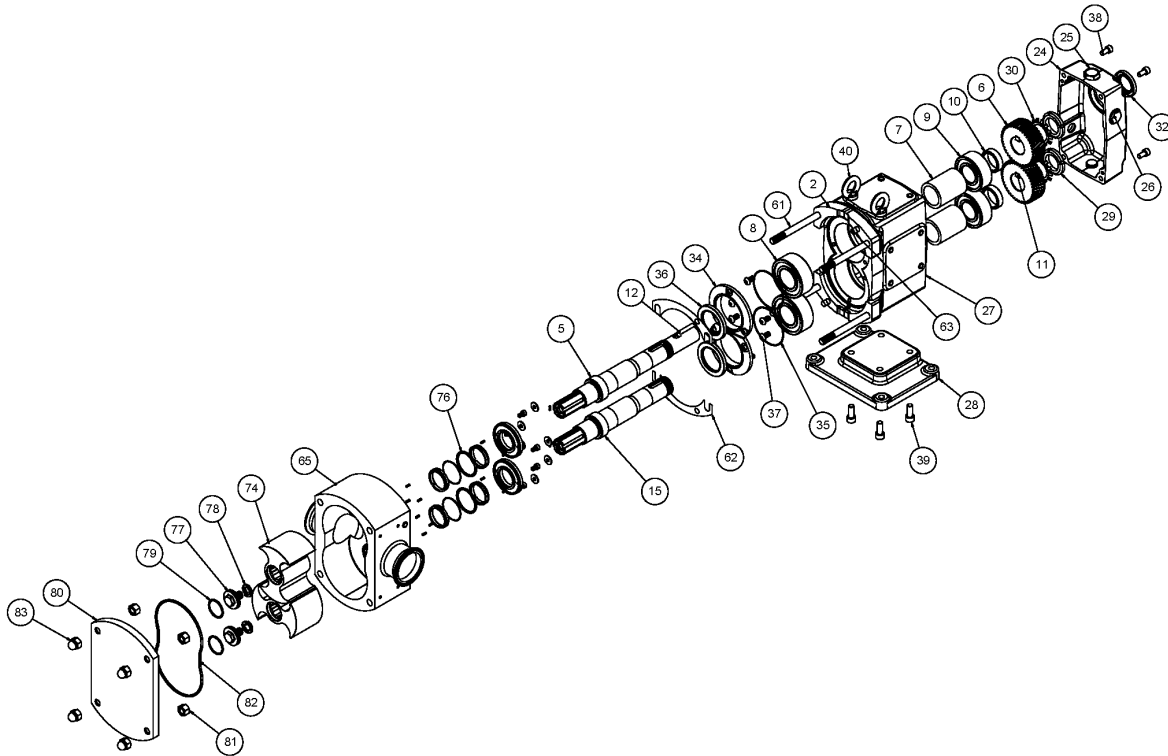
Ref #	Component Item No.	Description	Qty Per
141	AL30-FC02-SS	FRONT COVER WITH JACKET	1
142	AL30-HJ01-SS	CASE HEATING JACKET FOR BODY TOP - AL33	1
	AL30-HJ02-SS	CASE HEATING JACKET FOR BODY BOTTOM - AL33	1
143	AL30-HJ03-SS	CASE HEATING JACKET FOR TUBE ASS'Y - AL300	1



Exploded View

Optional Items Shown in ITALICS

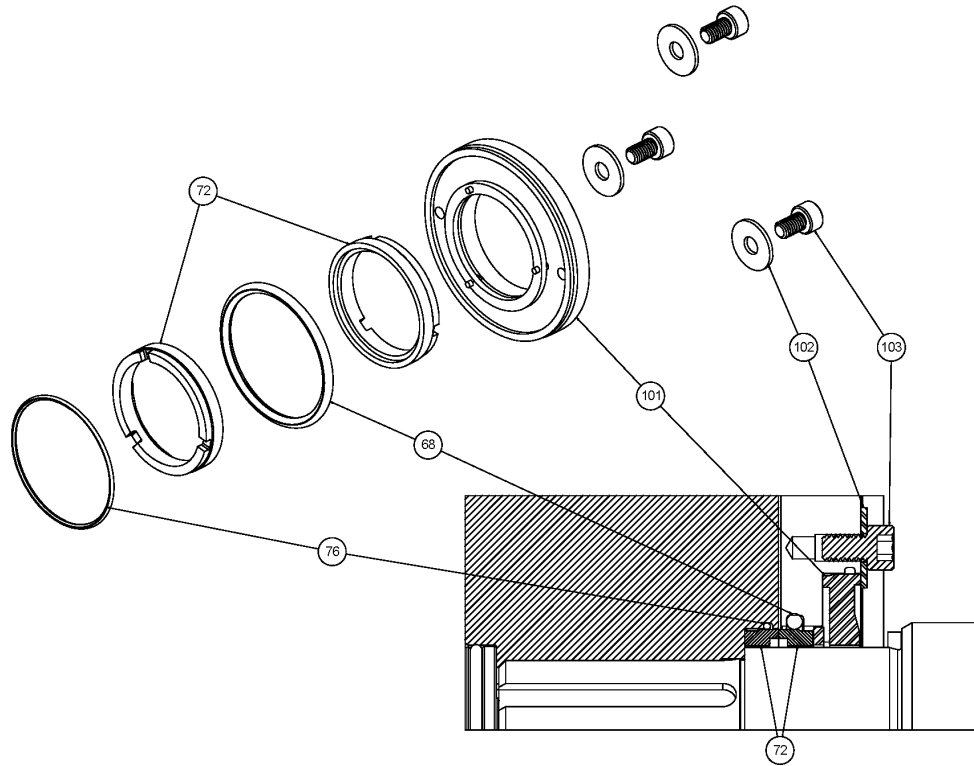
Ref #	Component Item No.	Description	Qty Per
2	AL30-GB03-SS	GEAR BOX - SS	1
5	AL30-SF01-SS	DRIVE SHAFT - AL33	1
6	AL30-HG01-CS	HELICAL GEAR - LEFT HAND	1
	AL30-HG02-CS	HELICAL GEAR - RIGHT HAND	1
7	AL30-BS01-CS	BEARING SPACER	2
8	AL30-BE01-CC	FRONT BEARING	2
9	AL30-BE02-CS	REAR BEARING	2
10	AL30-GS01-CS	GEAR SPACER	2
11	AL30-GK01-CS	GEAR KEY - 14x9x36	2
12	AL30-SK01-CS	SHAFT KEY - 14x9x36	1
13	AL00-PN02-SS	SET PIN FOR DOUBLE SEAL	8
15	AL30-SF02-SS	SHORT SHAFT - AL33	1
24	AL30-GB04-SS	GEAR BOX COVER - SS	1
25	P1GX115798	HEX PLUG WITH NBR SEAL	2
26	P1GX115799	OIL LEVEL INDICATOR	2
27	AL30-PN05-SS	DOWEL FOR GEAR BOX, AL300/AL400	2
28	AL30-GB05-SS	GEAR BOX BASE - SS	1
29	AL30-LN01-CS	LOCK NUT	2
30	AL30-LW01-CS	LOCK WASHER	2
32	AL30-OS02-L3	REAR OIL SEAL - NBR	1
34	AL30-OS01-SS	OIL SEAL GLAND	2
35	N70046	O-RING FOR OIL SEAL GLAND - NBR	2
36	AL30-OS01-L3	FRONT OIL SEAL - NBR	2
37	AL30-BT01-SS	CAP SCREW FOR OIL SEAL GLAND	8
38	AL30-BT02-SS	CAP SCREW FOR GEAR BOX COVER	4
39	AL30-BT03-SS	CAP SCREW FOR GEAR BASE	4
40	AL30-BT04-SS	EYEBOLT	2



Exploded View

Optional Items Shown in ITALICS

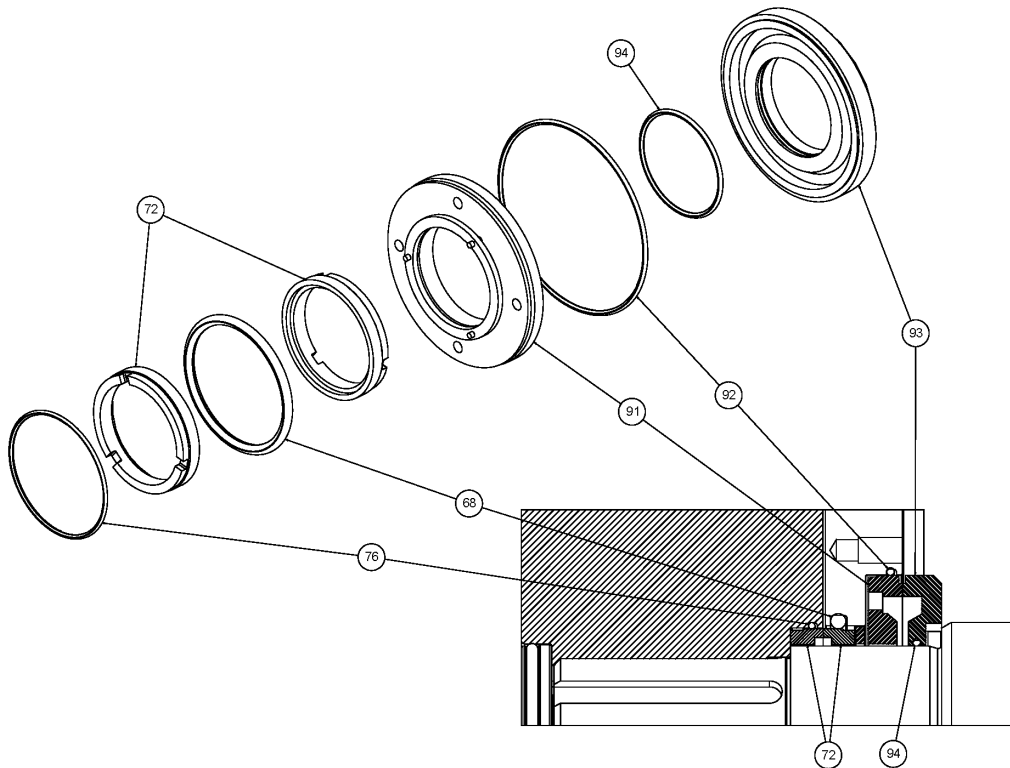
Ref #	Component Item No.	Description	Qty Per
61	AL30-SB01-SS	CASE STUD BOLT - AL33	4
62	AL30-SP01-SS-04	SHIM - 0.004" THICKNESS - AL300 SERIES	2
	AL30-SP01-SS-02	SHIM - 0.002" THICKNESS - AL300 SERIES	2
63	AL30-PN04-SS	DOWEL FOR CASE	2
65	AL30-RC07-SS	ROTOR CASE - AL33	1
68	E70230	O-RING FOR ROTOR CASE - EPDM	2
	V70230	O-RING FOR ROTOR CASE - VITON	2
72	AL30-SE06-SS	SEAL/MECHANICAL SEAL RING - TC	4
	AL30-SE07-SS	SEAL/MECHANICAL SEAL RING - SC	4
74	AL30-RT02-SS-2	ROTOR BI-WING (SIDE) - AL33	1
	AL30-RT02-SS-1	ROTOR BI-WING (TOP) - AL33	1
	AL30-RT02-SS-1H	ROTOR BI-WING (TOP) - AL33 - HOT	1
	AL30-RT02-SS-2H	ROTOR BI-WING (SIDE) - AL33 - HOT	1
	AL30-RT01-SS-1	ROTOR SINGLE-WING (TOP) - AL33	2
	AL30-RT04-SS-1	ROTOR TRI-LOBE (TOP) - AL33	2
76	E70142	O-RING FOR ROTOR - EPDM	2
	V70142	O-RING FOR ROTOR - VITON	2
77	AL30-RB01-SS	ROTOR BOLT - (HEX HEAD)	2
78	AL30-SW01-SS	SPRING WASHER FOR ROTOR BOLT	2
79	E70225	O-RING FOR ROTOR BOLT - EPDM	2
	V70225	O-RING FOR ROTOR BOLT - VITON	2
80	AL30-FC01-SS	FRONT COVER	1
81	AL30-HN01-SS	HEX NUT/STUD BOLT LOCK	4
82	E70271	O-RING FOR FRONT COVER - EPDM	1
	V70271	O-RING FOR FRONT COVER - VITON	1
	TE70271	O-RING FOR FRONT COVER - TEFLON ENCAP	1
83	AL30-CN01-SS	CAP NUT	4



Single Mechanical Seal

Optional Items Shown in ITALICS

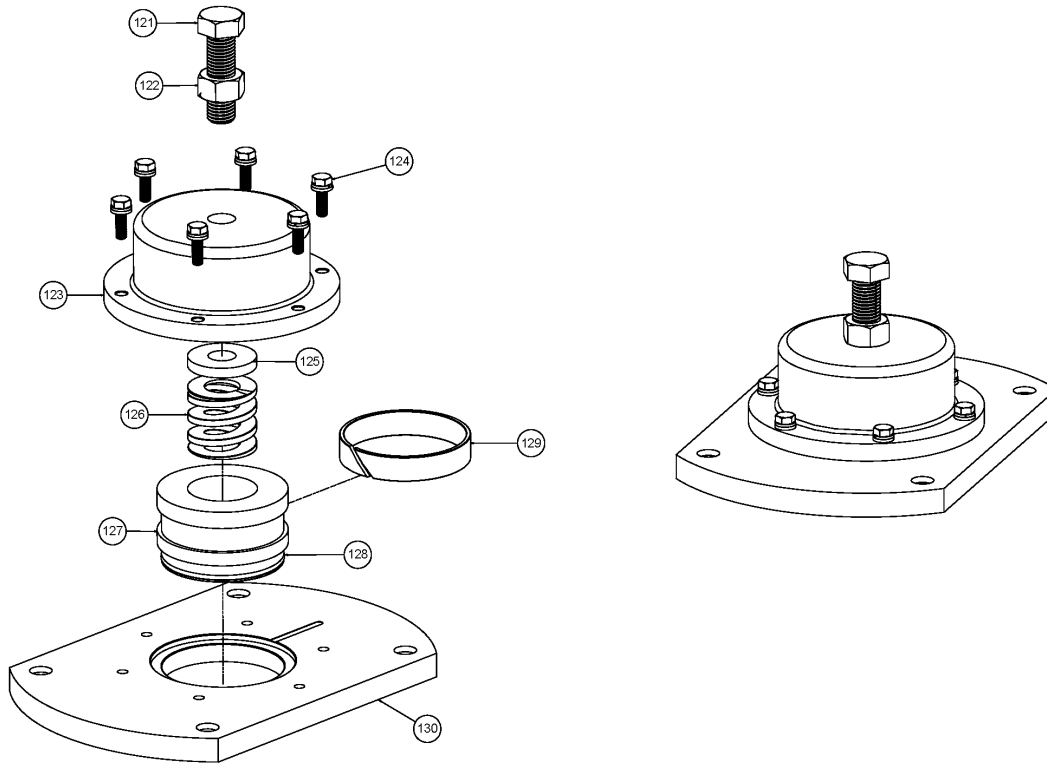
Ref #	Component Item No.	Description	Qty Per
68	E70230	O-RING FOR ROTOR CASE - EPDM	2
	<i>V70230</i>	<i>O-RING FOR ROTOR CASE - VITON</i>	<i>2</i>
72	AL30-SE07-SS	SEAL/MECHANICAL SEAL RING - SC	4
76	E70142	O-RING FOR ROTOR - EPDM	2
	<i>V70142</i>	<i>O-RING FOR ROTOR - VITON</i>	<i>2</i>
101	AL30-SE01-S3	SEAL/SINGLE MECH SEAL BASE	2
102	AL00-WS01-SS	DIN M6 FENDER WASHER	6
103	AL00-BT01-SS	CAP SCREW FOR SEAL RETAINER	6



Double Mechanical Seal

Optional Items Shown in ITALICS

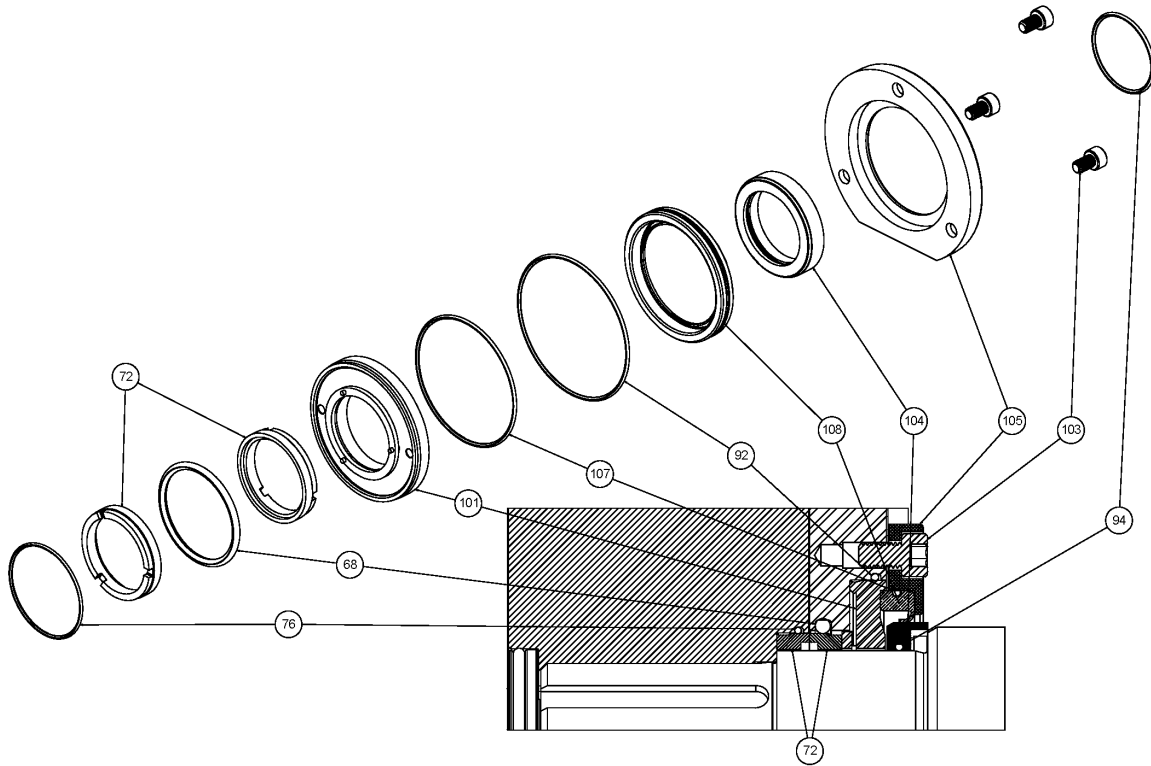
Ref #	Component Item No.	Description	Qty Per
68	E70230	O-RING FOR ROTOR CASE - EPDM	2
	<i>V70230</i>	<i>O-RING FOR ROTOR CASE - VITON</i>	<i>2</i>
72	AL30-SE07-SS	SEAL/MECHANICAL SEAL RING - SC	4
76	E70142	O-RING FOR ROTOR - EPDM	2
	<i>V70142</i>	<i>O-RING FOR ROTOR - VITON</i>	<i>2</i>
91	AL30-SE01-S5	DOUBLE SEAL REAR BASE - SC	2
	<i>AL30-SE01-S6</i>	<i>DOUBLE SEAL REAR BASE - TC</i>	<i>2</i>
92	E70043	O-RING FOR DOUBLE SEAL CASE - EPDM	2
	<i>V70043</i>	<i>O-RING FOR DOUBLE SEAL CASE - VITON</i>	<i>2</i>
93	AL30-SE02-S1	SEAL/FLUSHED SEAL UNIT - TC	2
	<i>AL30-SE02-S2</i>	<i>SEAL/FLUSHED SEAL UNIT - SC</i>	<i>2</i>
94	E70033	O-RING FOR DOUBLE SEAL SHAFT - EPDM	2
	<i>V70033</i>	<i>O-RING FOR DOUBLE SEAL SHAFT - VITON</i>	<i>2</i>



Pressure Relief Cover

Optional Items Shown in ITALICS

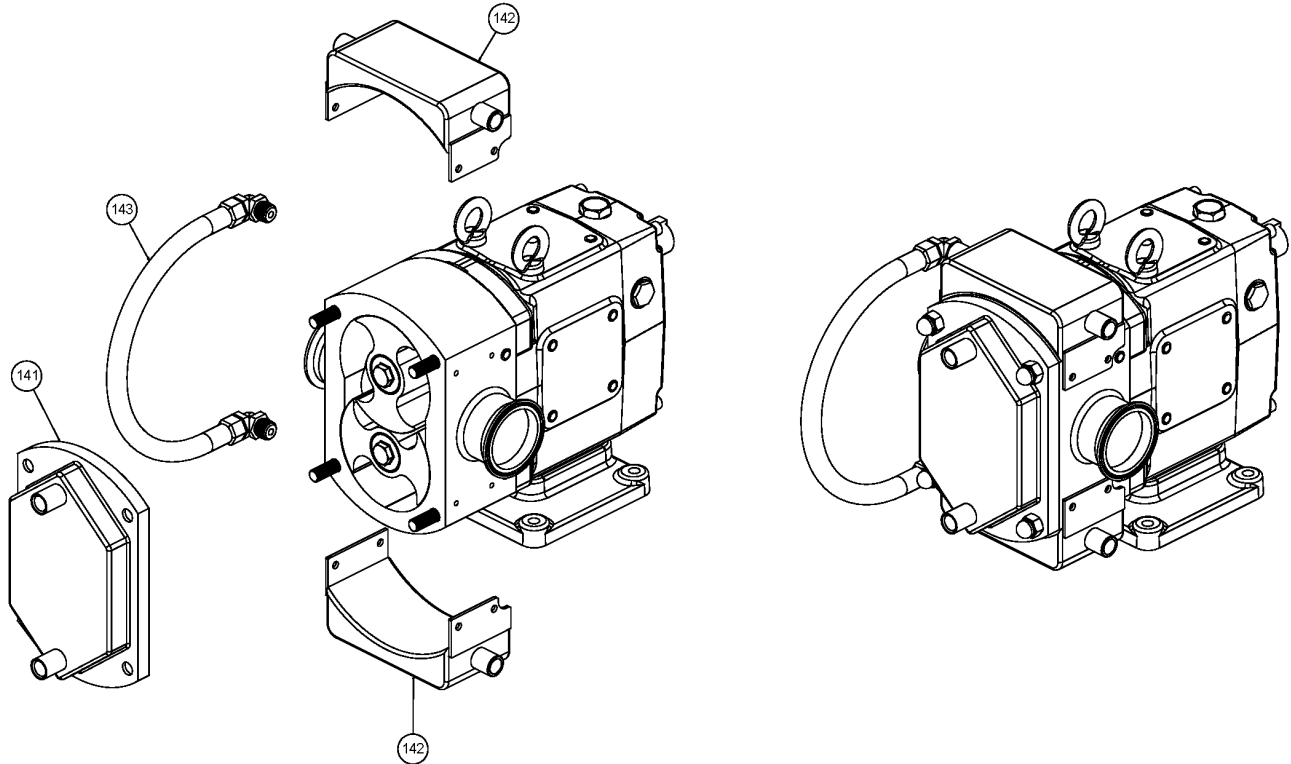
Ref #	Component Item No.	Description	Qty Per
120	GX5519190	BOLT, HEX HEAD	1
121	GX5519000	NUT, HEX HEAD	1
122	AL30-RH02-SS	RELIEF VALVE HOUSING	1
123	GX5512110	BOLT, HEX HEAD	8
124	GX5512010	LOCK WASHER	8
125	AL40-RP03-SS	ADJUSTMENT PIN, AL300/AL400	1
126	AL30-RS03-CS	SPRING, AL300/AL400	1
127	AL40-RV02-SS	VALVE HEAD, AL300/AL400	1
128	AL40-WR01-PF	WEAR RING, TEFLON, AL300/AL400	1
129	E70238	O-RING, EPDM	1
	V70238	O-RING, VITON	1
130	AL30-FC04-SS	FRONT COVER, VENTED	1
131	AL30-FR01-SS	FRONT COVER ASSEMBLY, VENTED	1



Single Mechanical Seal with Flush

Optional Items Shown in ITALICS

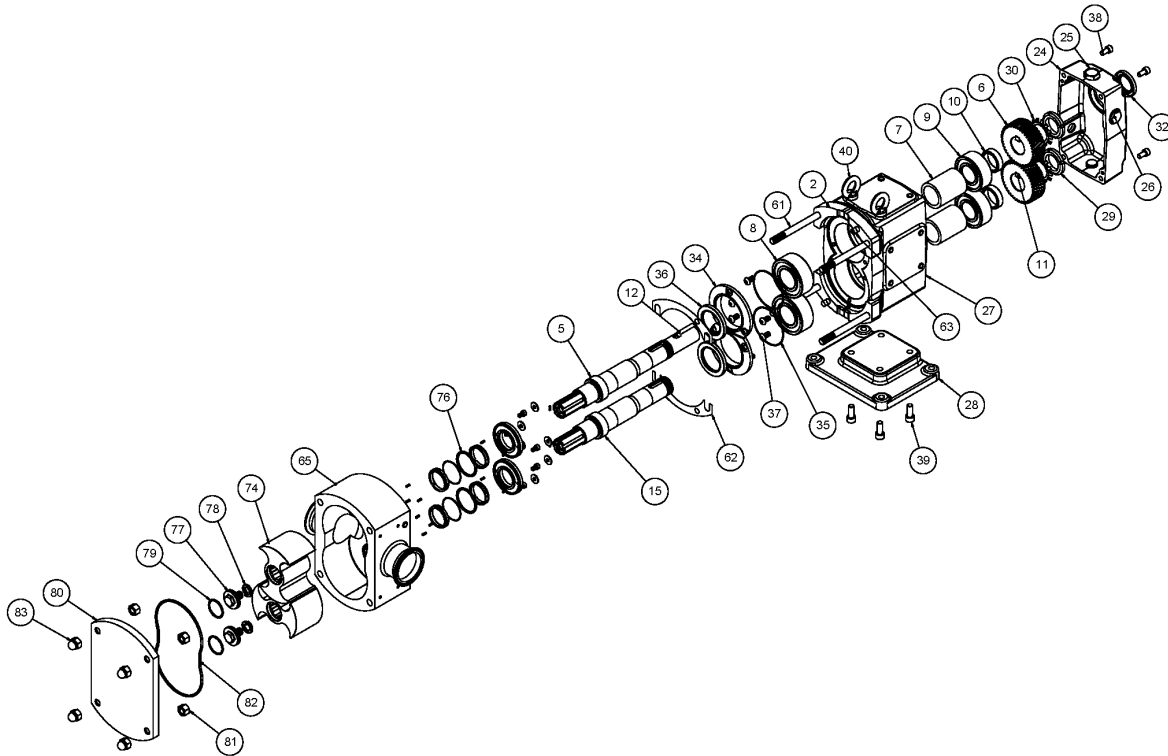
Ref #	Component Item No.	Description	Qty Per
68	E70230	O-RING FOR ROTOR CASE - EPDM	2
	<i>V70230</i>	<i>O-RING FOR ROTOR CASE - VITON</i>	2
72	AL30-SE06-SS	SEAL/MECHANICAL SEAL RING - TC	4
	<i>AL30-SE07-SS</i>	<i>SEAL/MECHANICAL SEAL RING - SC</i>	4
76	E70142	O-RING FOR ROTOR - EPDM	2
	<i>V70142</i>	<i>O-RING FOR ROTOR - VITON</i>	2
92	E70043	O-RING FOR DOUBLE SEAL CASE - EPDM	2
	<i>V70043</i>	<i>O-RING FOR DOUBLE SEAL CASE - VITON</i>	2
94	E70033	O-RING FOR DOUBLE SEAL SHAFT - EPDM	2
	<i>V70033</i>	<i>O-RING FOR DOUBLE SEAL SHAFT - VITON</i>	2
101	AL30-SE01-S3	SEAL/SINGLE MECH SEAL BASE	2
103	AL00-BT01-SS	CAP SCREW FOR SEAL RETAINER	6
104	AL30-FL02-CE	CERMAIC SLEEVE FOR FLUSHING	2
105	AL30-FL03-SS	SS GLAND FOR FLUSHING	2
107	E70041	O-RING FOR FLUSHED LIP - EPDM	2
	<i>V70041</i>	<i>O-RING FOR FLUSHED LIP - VITON</i>	2
108	AL30-FL01-PF	PTFE - LIP SEAL FOR FLUSHING	2



Heating Jackets

Optional Items Shown in ITALICS

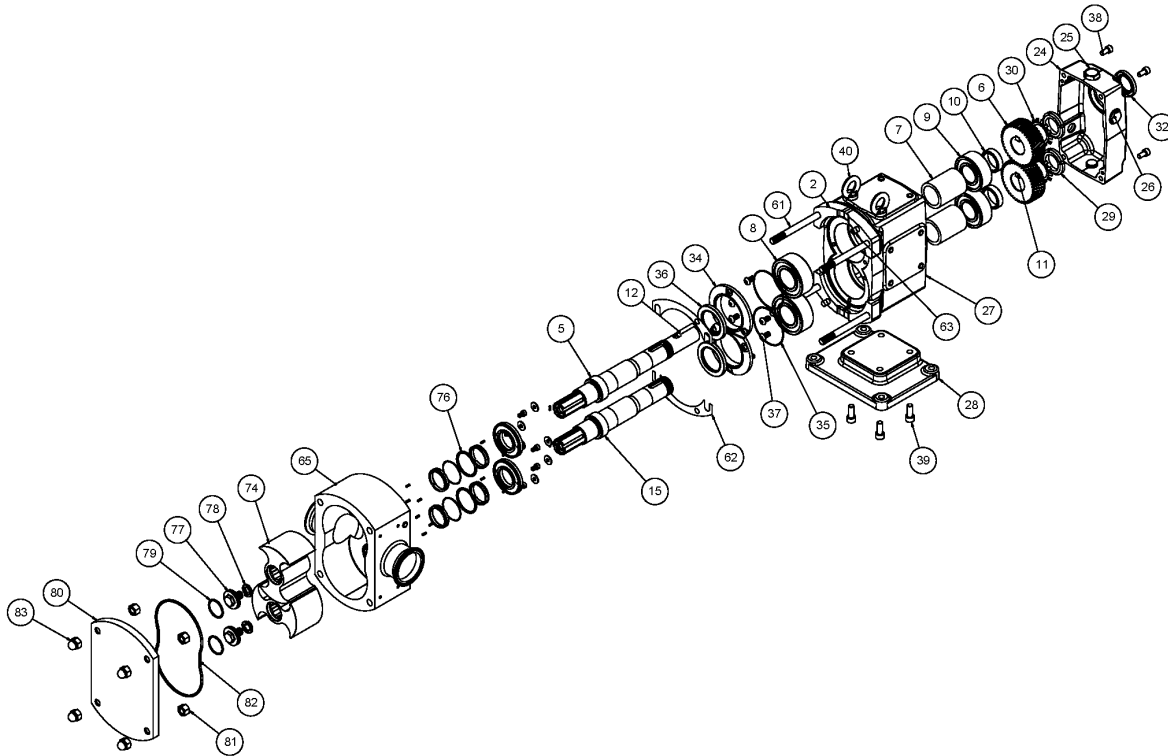
Ref #	Component Item No.	Description	Qty Per
141	AL30-FC02-SS	FRONT COVER WITH JACKET	1
142	AL30-HJ01-SS	CASE HEATING JACKET FOR BODY TOP - AL33	1
	AL30-HJ02-SS	CASE HEATING JACKET FOR BODY BOTTOM - AL33	1
143	AL30-HJ03-SS	CASE HEATING JACKET FOR TUBE ASS'Y - AL300	1



Exploded View

Optional Items Shown in ITALICS

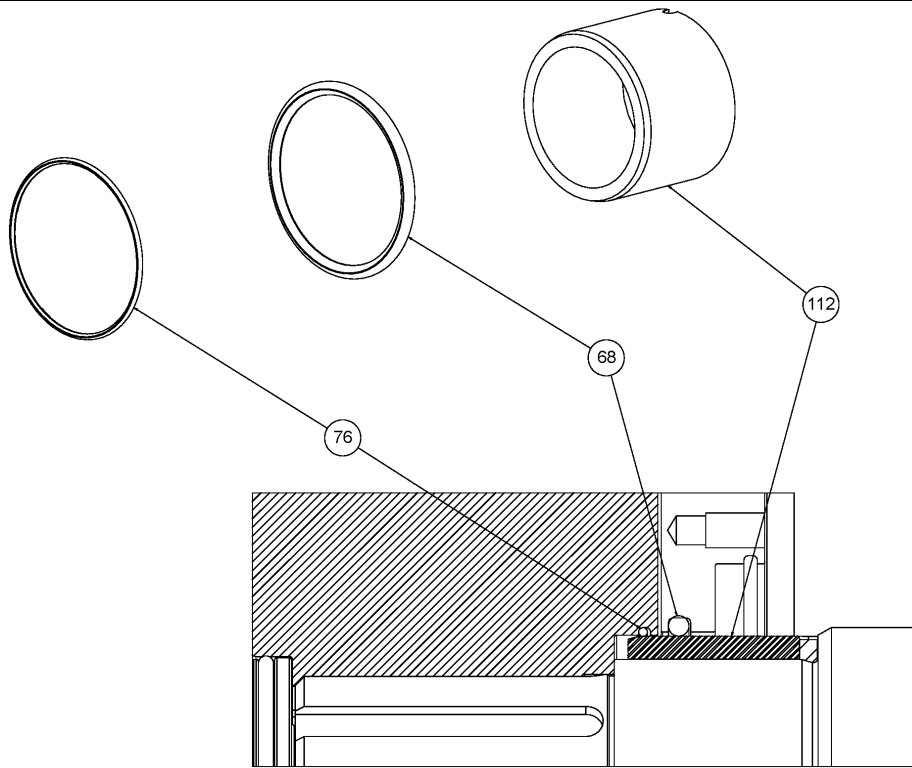
Ref #	Component Item No.	Description	Qty Per
2	AL30-GB03-SS	GEAR BOX - SS	1
5	AL30-SF01-SS	DRIVE SHAFT - AL33	1
6	AL30-HG02-CS	HELICAL GEAR - RIGHT HAND	1
	AL30-HG01-CS	HELICAL GEAR - LEFT HAND	1
7	AL30-BS01-CS	BEARING SPACER	2
8	AL30-BE01-CC	FRONT BEARING	2
9	AL30-BE02-CS	REAR BEARING	2
10	AL30-GS01-CS	GEAR SPACER	2
11	AL30-GK01-CS	GEAR KEY - 14x9x36	2
12	AL30-SK01-CS	SHAFT KEY - 14x9x36	1
13	AL00-PN02-SS	SET PIN FOR DOUBLE SEAL	8
15	AL30-SF02-SS	SHORT SHAFT - AL33	1
24	AL30-GB04-SS	GEAR BOX COVER - SS	1
25	P1GX115798	HEX PLUG WITH NBR SEAL	2
26	P1GX115799	OIL LEVEL INDICATOR	2
27	AL30-PN05-SS	DOWEL FOR GEAR BOX, AL300/AL400	2
28	AL30-GB05-SS	GEAR BOX BASE - SS	1
29	AL30-LN01-CS	LOCK NUT	2
30	AL30-LW01-CS	LOCK WASHER	2
32	AL30-OS02-L3	REAR OIL SEAL - NBR	1
34	AL30-OS01-SS	OIL SEAL GLAND	2
35	N70046	O-RING FOR OIL SEAL GLAND - NBR	2
36	AL30-OS01-L3	FRONT OIL SEAL - NBR	2
37	AL30-BT01-SS	CAP SCREW FOR OIL SEAL GLAND	8
38	AL30-BT02-SS	CAP SCREW FOR GEAR BOX COVER	4
39	AL30-BT03-SS	CAP SCREW FOR GEAR BASE	4
40	AL30-BT04-SS	EYEBOLT	2



Exploded View

Optional Items Shown in ITALICS

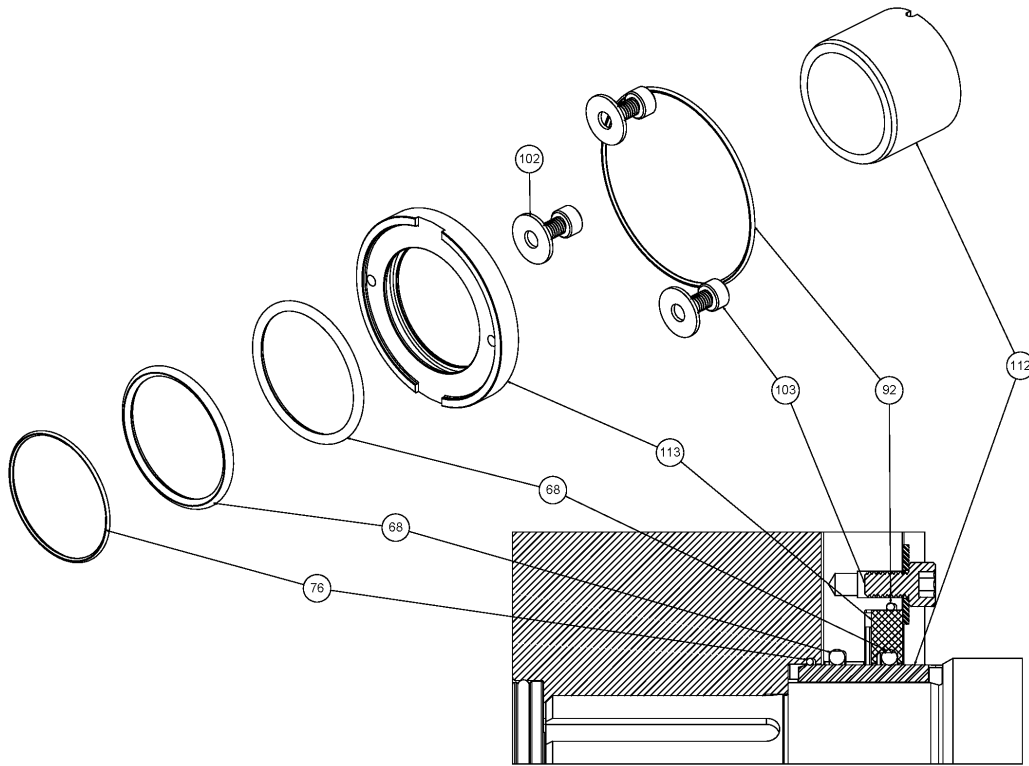
Ref #	Component Item No.	Description	Qty Per
61	AL30-SB01-SS	CASE STUD BOLT - AL33	4
62	AL30-SP01-SS-04	SHIM - 0.004" THICKNESS - AL300 SERIES	2
	AL30-SP01-SS-02	SHIM - 0.002" THICKNESS - AL300 SERIES	2
63	AL30-PN04-SS	DOWEL FOR CASE	2
65	AL30-RC07-SS	ROTOR CASE - AL33	1
68	E70230	O-RING FOR ROTOR CASE - EPDM	2
	V70230	O-RING FOR ROTOR CASE - VITON	2
72	AL30-SE06-SS	SEAL/MECHANICAL SEAL RING - TC	4
	AL30-SE07-SS	SEAL/MECHANICAL SEAL RING - SC	4
74	AL30-RT02-SS-1	ROTOR BI-WING (TOP) - AL33	1
	AL30-RT02-SS-2	ROTOR BI-WING (SIDE) - AL33	1
	AL30-RT02-SS-2H	ROTOR BI-WING (SIDE) - AL33 - HOT	1
	AL30-RT02-SS-1H	ROTOR BI-WING (TOP) - AL33 - HOT	1
	AL30-RT01-SS-1	ROTOR SINGLE-WING (TOP) - AL33	2
	AL30-RT04-SS-1	ROTOR TRI-LOBE (TOP) - AL33	2
76	E70142	O-RING FOR ROTOR - EPDM	2
	V70142	O-RING FOR ROTOR - VITON	2
77	AL30-RB01-SS	ROTOR BOLT - (HEX HEAD)	2
78	AL30-SW01-SS	SPRING WASHER FOR ROTOR BOLT	2
79	E70225	O-RING FOR ROTOR BOLT - EPDM	2
	V70225	O-RING FOR ROTOR BOLT - VITON	2
80	AL30-FC01-SS	FRONT COVER	1
81	AL30-HN01-SS	HEX NUT/STUD BOLT LOCK	4
82	E70271	O-RING FOR FRONT COVER - EPDM	1
	V70271	O-RING FOR FRONT COVER - VITON	1
	TE70271	O-RING FOR FRONT COVER - TEFLON ENCAP	1
83	AL30-CN01-SS	CAP NUT	4



Single O-Ring Seal

Optional Items Shown in ITALICS

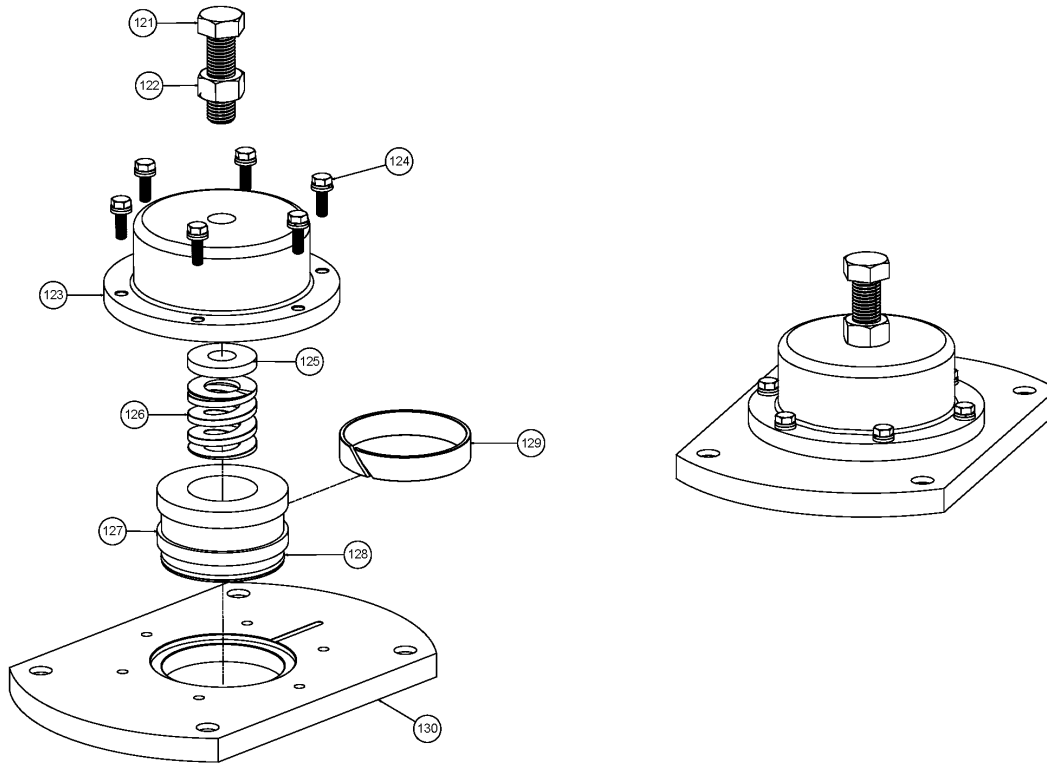
Ref #	Component Item No.	Description	Qty Per
68	E70230	O-RING FOR ROTOR CASE - EPDM	2
	<i>V70230</i>	<i>O-RING FOR ROTOR CASE - VITON</i>	<i>2</i>
76	E70142	O-RING FOR ROTOR - EPDM	2
	<i>V70142</i>	<i>O-RING FOR ROTOR - VITON</i>	<i>2</i>
112	AL30-SE08-SS	SLEEVE, CHROME OXIDE COATED	2
	<i>AL30-SE09-SS</i>	<i>SLEEVE, STAINLESS STEEL</i>	<i>2</i>
	<i>AL30-SE10-SS</i>	<i>SLEEVE, CERAMIC</i>	<i>2</i>



Double O-Ring Seal

Optional Items Shown in ITALICS

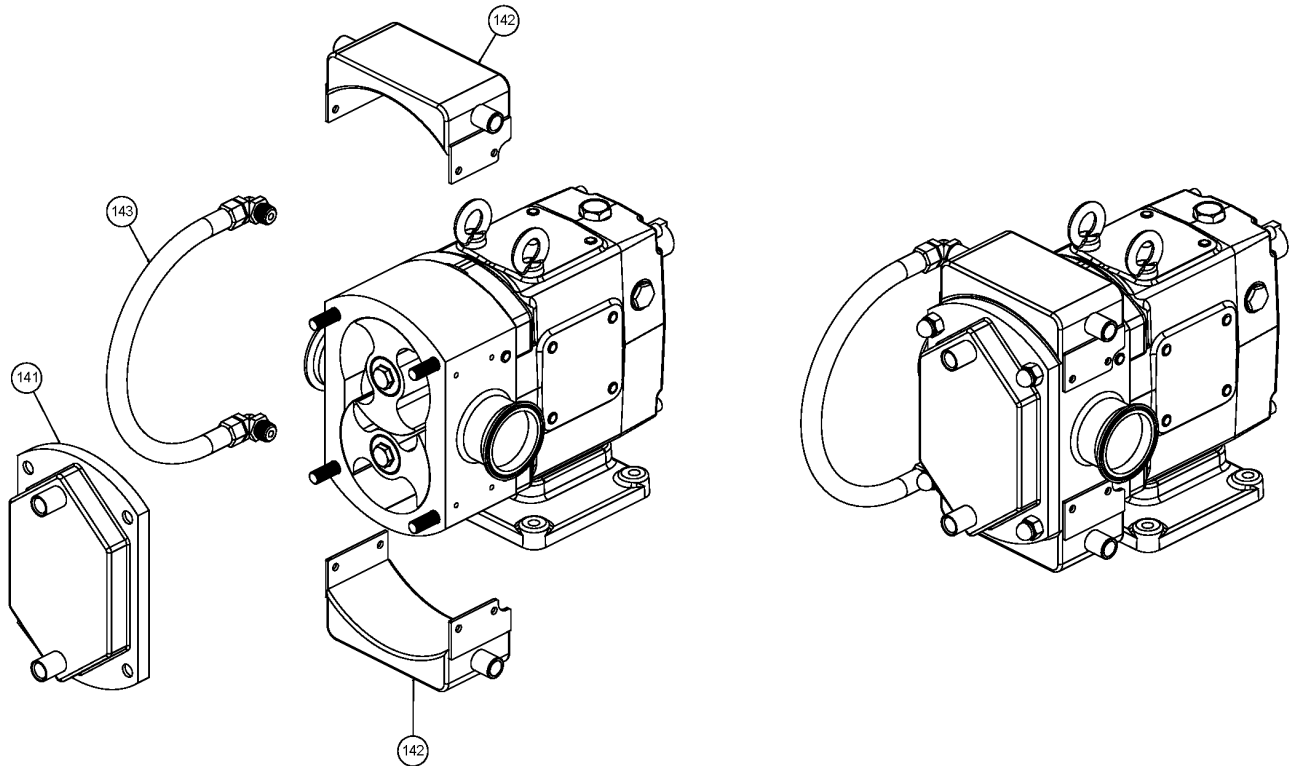
Ref #	Component Item No.	Description	Qty Per
68	E70230	O-RING FOR ROTOR CASE - EPDM	2
	<i>V70230</i>	<i>O-RING FOR ROTOR CASE - VITON</i>	2
76	E70142	O-RING FOR ROTOR - EPDM	2
	<i>V70142</i>	<i>O-RING FOR ROTOR - VITON</i>	2
92	E70043	O-RING FOR DOUBLE SEAL CASE - EPDM	2
	<i>V70043</i>	<i>O-RING FOR DOUBLE SEAL CASE - VITON</i>	2
102	AL00-WS01-SS	DIN M6 FENDER WASHER	6
103	AL00-BT01-SS	CAP SCREW FOR SEAL RETAINER	6
112	AL30-SE08-SS	SLEEVE, CHROME OXIDE COATED	2
	<i>AL30-SE09-SS</i>	<i>SLEEVE, STAINLESS STEEL</i>	2
	<i>AL30-SE10-SS</i>	<i>SLEEVE, CERAMIC</i>	2
113	AL30-OS02-SS	SS GLAND FOR DOUBLE O-RING	2



Pressure Relief Cover

Optional Items Shown in ITALICS

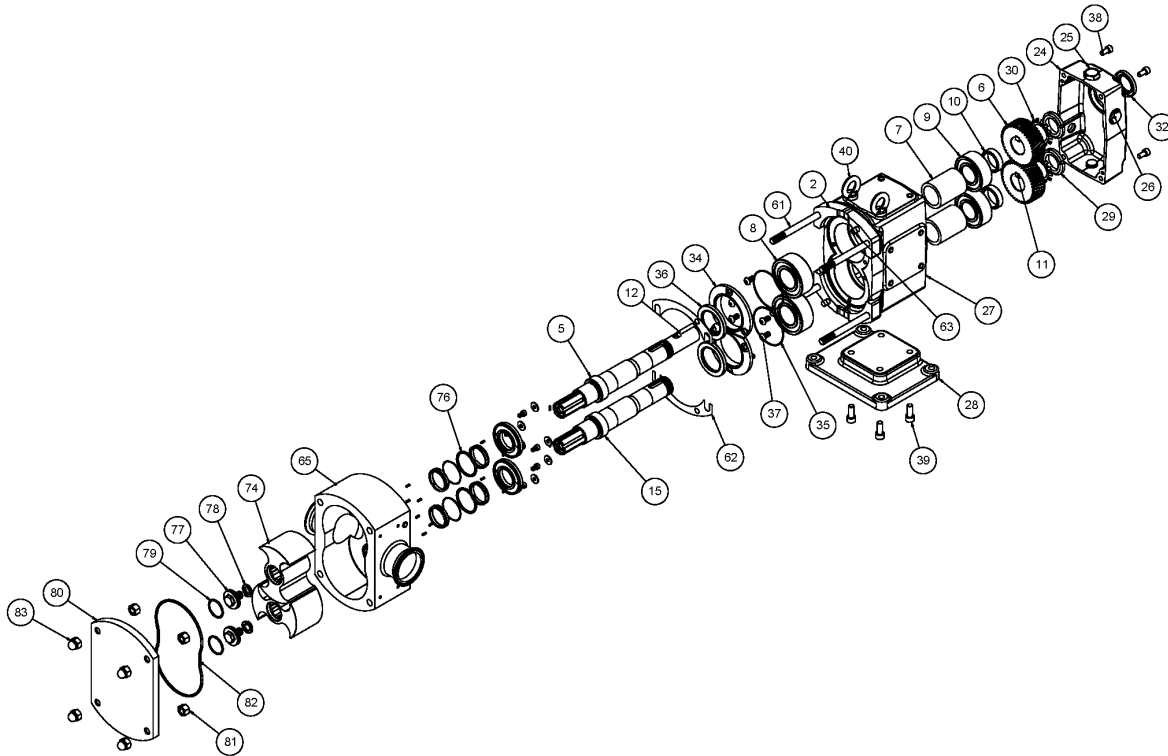
Ref #	Component Item No.	Description	Qty Per
120	GX5519190	BOLT, HEX HEAD	1
121	GX5519000	NUT, HEX HEAD	1
122	AL30-RH02-SS	RELIEF VALVE HOUSING	1
123	GX5512110	BOLT, HEX HEAD	8
124	GX5512010	LOCK WASHER	8
125	AL40-RP03-SS	ADJUSTMENT PIN, AL300/AL400	1
126	AL30-RS03-CS	SPRING, AL300/AL400	1
127	AL40-RV02-SS	VALVE HEAD, AL300/AL400	1
128	AL40-WR01-PF	WEAR RING, TEFLON, AL300/AL400	1
129	E70238	O-RING, EPDM	1
	V70238	O-RING, VITON	1
130	AL30-FC04-SS	FRONT COVER, VENTED	1
131	AL30-FR01-SS	FRONT COVER ASSEMBLY, VENTED	1



Heating Jackets

Optional Items Shown in ITALICS

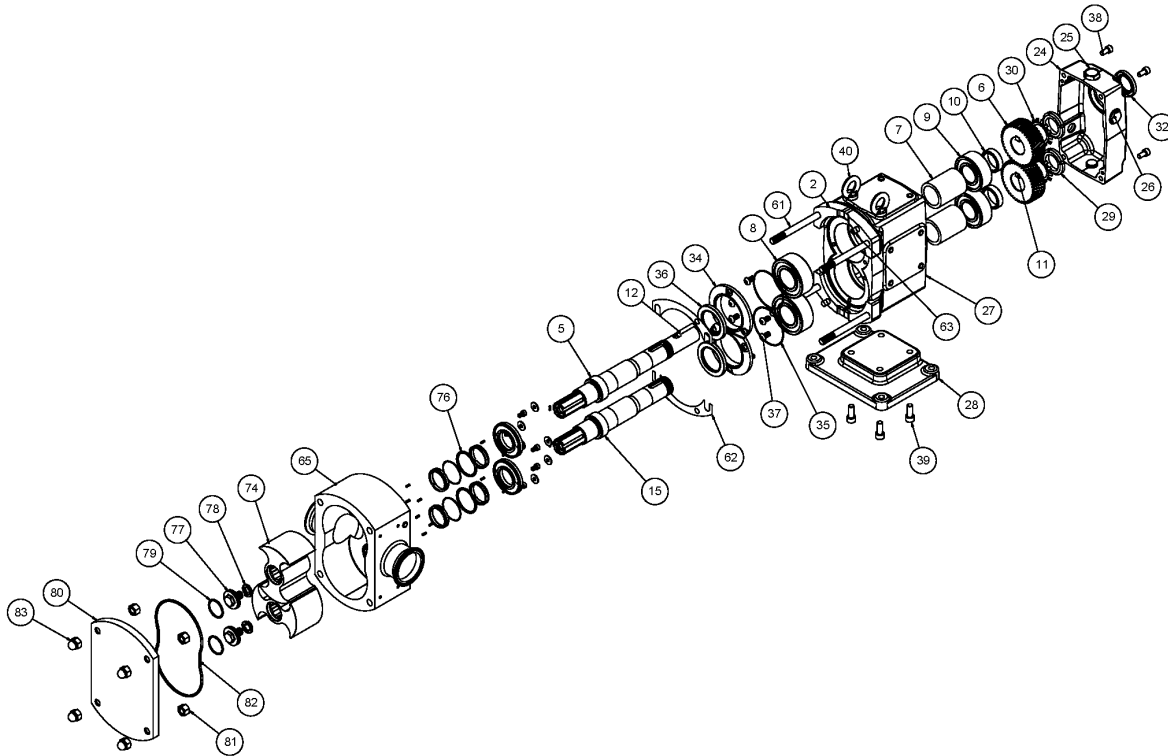
Ref #	Component Item No.	Description	Qty Per
141	AL30-FC02-SS	FRONT COVER WITH JACKET	1
142	AL30-HJ01-SS	CASE HEATING JACKET FOR BODY TOP - AL33	1
	AL30-HJ02-SS	CASE HEATING JACKET FOR BODY BOTTOM - AL33	1
143	AL30-HJ03-SS	CASE HEATING JACKET FOR TUBE ASS'Y - AL300	1



Exploded View

Optional Items Shown in ITALICS

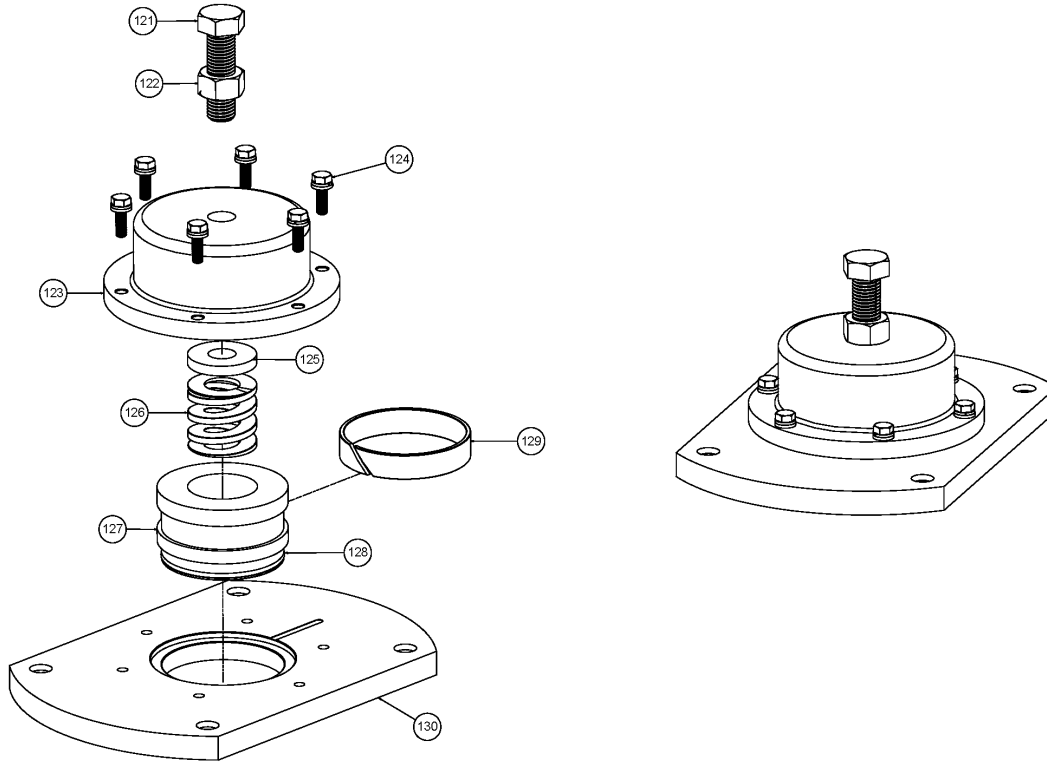
Ref #	Component Item No.	Description	Qty Per
2	AL30-GB03-SS	GEAR BOX - SS	1
5	AL30-SF03-SS	DRIVE SHAFT - AL34	1
6	AL30-HG02-CS	HELICAL GEAR - RIGHT HAND	1
	AL30-HG01-CS	HELICAL GEAR - LEFT HAND	1
7	AL30-BS01-CS	BEARING SPACER	2
8	AL30-BE01-CC	FRONT BEARING	2
9	AL30-BE02-CS	REAR BEARING	2
10	AL30-GS01-CS	GEAR SPACER	2
11	AL30-GK01-CS	GEAR KEY - 14x9x36	2
12	AL30-SK01-CS	SHAFT KEY - 14x9x36	1
13	AL00-PN02-SS	SET PIN FOR DOUBLE SEAL	8
15	AL30-SF04-SS	SHORT SHAFT - AL34	1
24	AL30-GB04-SS	GEAR BOX COVER - SS	1
25	P1GX115798	HEX PLUG WITH NBR SEAL	2
26	P1GX115799	OIL LEVEL INDICATOR	2
27	AL30-PN05-SS	DOWEL FOR GEAR BOX, AL300/AL400	2
28	AL30-GB05-SS	GEAR BOX BASE - SS	1
29	AL30-LN01-CS	LOCK NUT	2
30	AL30-LW01-CS	LOCK WASHER	2
32	AL30-OS02-L3	REAR OIL SEAL - NBR	1
34	AL30-OS01-SS	OIL SEAL GLAND	2
35	N70046	O-RING FOR OIL SEAL GLAND - NBR	2
36	AL30-OS01-L3	FRONT OIL SEAL - NBR	2
37	AL30-BT01-SS	CAP SCREW FOR OIL SEAL GLAND	8
38	AL30-BT02-SS	CAP SCREW FOR GEAR BOX COVER	4
39	AL30-BT03-SS	CAP SCREW FOR GEAR BASE	4
40	AL30-BT04-SS	EYEBOLT	2



Exploded View

Optional Items Shown in ITALICS

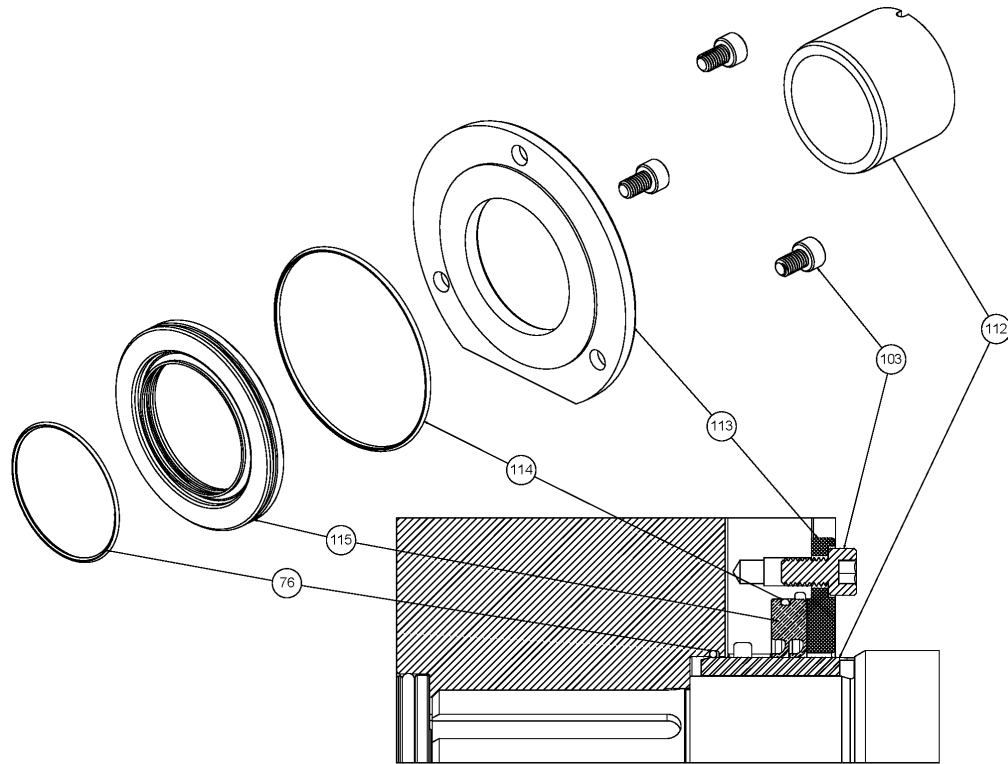
Ref #	Component Item No.	Description	Qty Per
61	AL30-SB02-SS	CASE STUD BOLT - AL34	4
62	AL30-SP01-SS-02	SHIM - 0.002" THICKNESS - AL300 SERIES	2
	AL30-SP01-SS-04	SHIM - 0.004" THICKNESS - AL300 SERIES	2
63	AL30-PN04-SS	DOWEL FOR CASE	2
65	AL30-RC47-SS	ROTOR CASE - AL34	1
68	E70230	O-RING FOR ROTOR CASE - EPDM	2
	V70230	O-RING FOR ROTOR CASE - VITON	2
72	AL30-SE06-SS	SEAL/MECHANICAL SEAL RING - TC	4
	AL30-SE07-SS	SEAL/MECHANICAL SEAL RING - SC	4
74	AL30-RT12-SS-1	ROTOR BI-WING (TOP) - AL34	1
	AL30-RT12-SS-2	ROTOR BI-WING (SIDE) - AL34	1
	AL30-RT12-SS-1H	ROTOR BI-WING (TOP) - AL34 - HOT	1
	AL30-RT12-SS-2H	ROTOR BI-WING (SIDE) - AL34 - HOT	1
	AL30-RT14-SS-1	ROTOR TRI-LOBE (TOP) - AL34	2
76	E70142	O-RING FOR ROTOR - EPDM	2
	V70142	O-RING FOR ROTOR - VITON	2
77	AL30-RB01-SS	ROTOR BOLT - (HEX HEAD)	2
78	AL30-SW01-SS	SPRING WASHER FOR ROTOR BOLT	2
79	E70225	O-RING FOR ROTOR BOLT - EPDM	2
	V70225	O-RING FOR ROTOR BOLT - VITON	2
80	AL30-FC01-SS	FRONT COVER	1
81	AL30-HN01-SS	HEX NUT/STUD BOLT LOCK	4
82	E70271	O-RING FOR FRONT COVER - EPDM	1
	V70271	O-RING FOR FRONT COVER - VITON	1
	TE70271	O-RING FOR FRONT COVER - TEFLON ENCAP	1
83	AL30-CN01-SS	CAP NUT	4



Pressure Relief Cover

Optional Items Shown in ITALICS

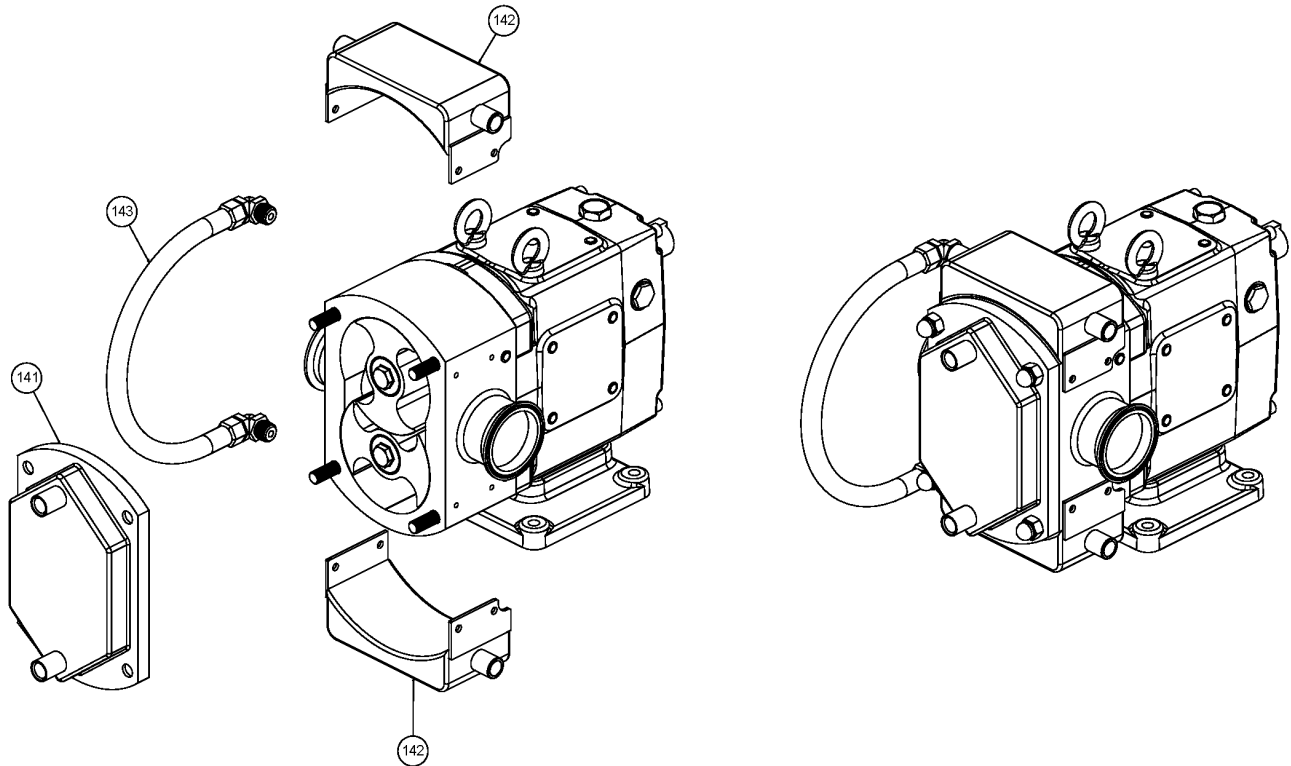
Ref #	Component Item No.	Description	Qty Per
120	GX5519190	BOLT, HEX HEAD	1
121	GX5519000	NUT, HEX HEAD	1
122	AL30-RH02-SS	RELIEF VALVE HOUSING	1
123	GX5512110	BOLT, HEX HEAD	8
124	GX5512010	LOCK WASHER	8
125	AL40-RP03-SS	ADJUSTMENT PIN, AL300/AL400	1
126	AL30-RS03-CS	SPRING, AL300/AL400	1
127	AL40-RV02-SS	VALVE HEAD, AL300/AL400	1
128	AL40-WR01-PF	WEAR RING, TEFLON, AL300/AL400	1
129	E70238	O-RING, EPDM	1
	V70238	O-RING, VITON	1
130	AL30-FC04-SS	FRONT COVER, VENTED	1
131	AL30-FR01-SS	FRONT COVER ASSEMBLY, VENTED	1



Lip Seal

Optional Items Shown in ITALICS

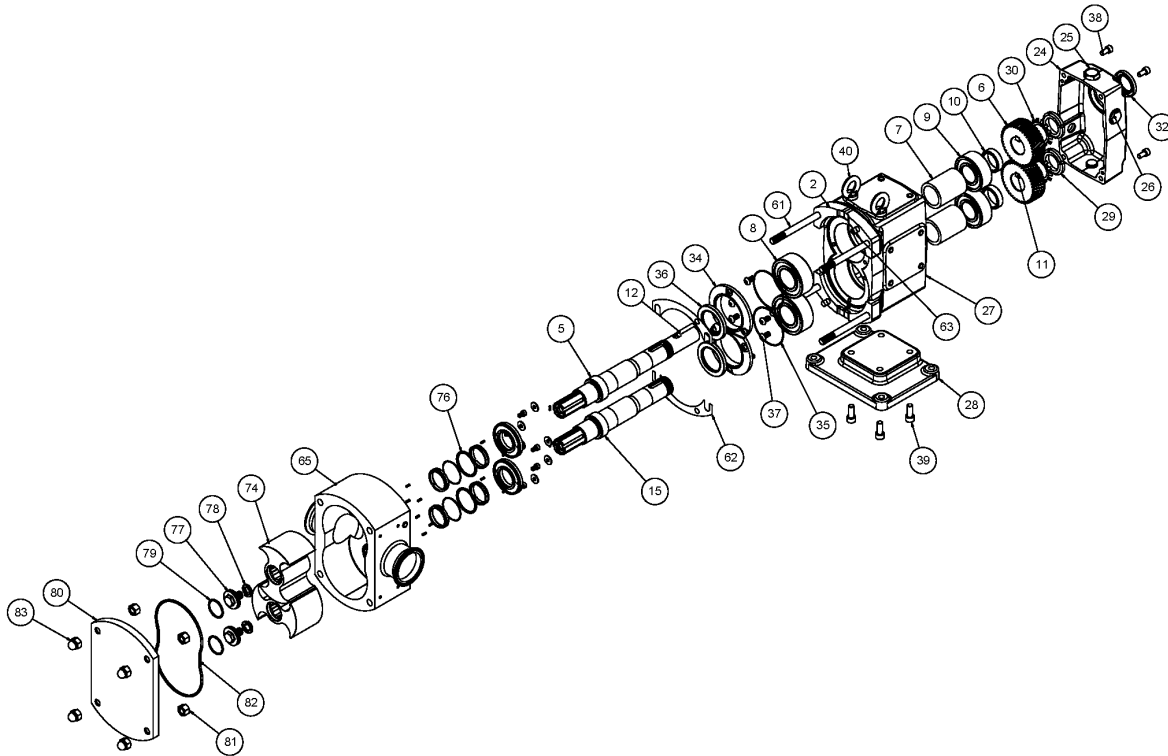
Ref #	Component Item No.	Description	Qty Per
76	E70142	O-RING FOR ROTOR - EPDM	2
	<i>V70142</i>	<i>O-RING FOR ROTOR - VITON</i>	<i>2</i>
103	AL00-BT01-SS	CAP SCREW FOR SEAL RETAINER	6
112	AL30-SE08-SS	SLEEVE, CHROME OXIDE COATED	2
113	AL30-SE05-S3	SS GLAND FOR DOUBLE LIP SEAL FOR PRODUCT	2
	<i>AL30-SE06-S3</i>	<i>SS GLAND FOR TRIPLE LIP SEAL FOR PRODUCT</i>	<i>2</i>
114	E70151	O-RING, DOUBLE LIP SEAL - EPDM	2
	<i>V70151</i>	<i>O-RING, DOUBLE LIP SEAL - VITON</i>	<i>2</i>
115	AL30-SE05-S2	DOUBLE LIP SEAL FOR PRODCUT - TEFLON	2
	<i>AL30-SE06-S2</i>	<i>TRIPLE LIP SEAL FOR PRODUCT - TEFLON</i>	<i>2</i>



Heating Jackets

Optional Items Shown in ITALICS

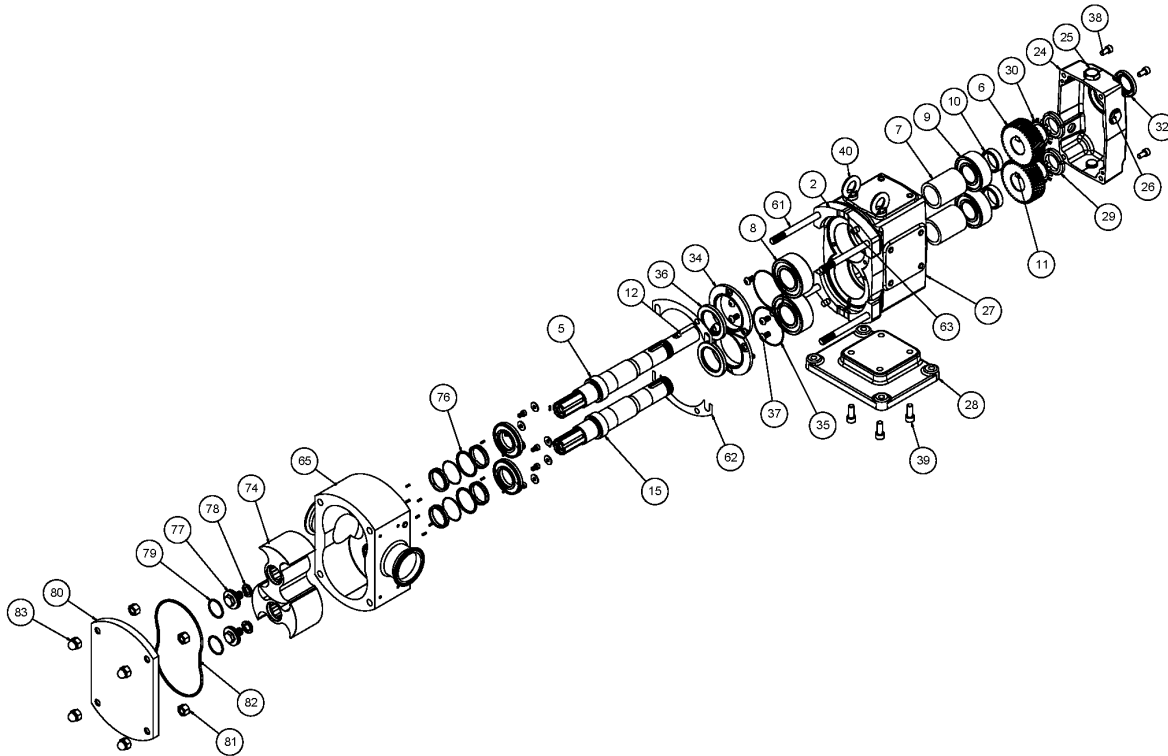
Ref #	Component Item No.	Description	Qty Per
141	AL30-FC02-SS	FRONT COVER WITH JACKET	1
142	AL30-HJ05-SS	CASE HEATING JACKET FOR BODY BOTTOM - AL34	1
	AL30-HJ04-SS	CASE HEATING JACKET FOR BODY TOP - AL34	1
143	AL30-HJ03-SS	CASE HEATING JACKET FOR TUBE ASS'Y - AL300	1



Exploded View

Optional Items Shown in ITALICS

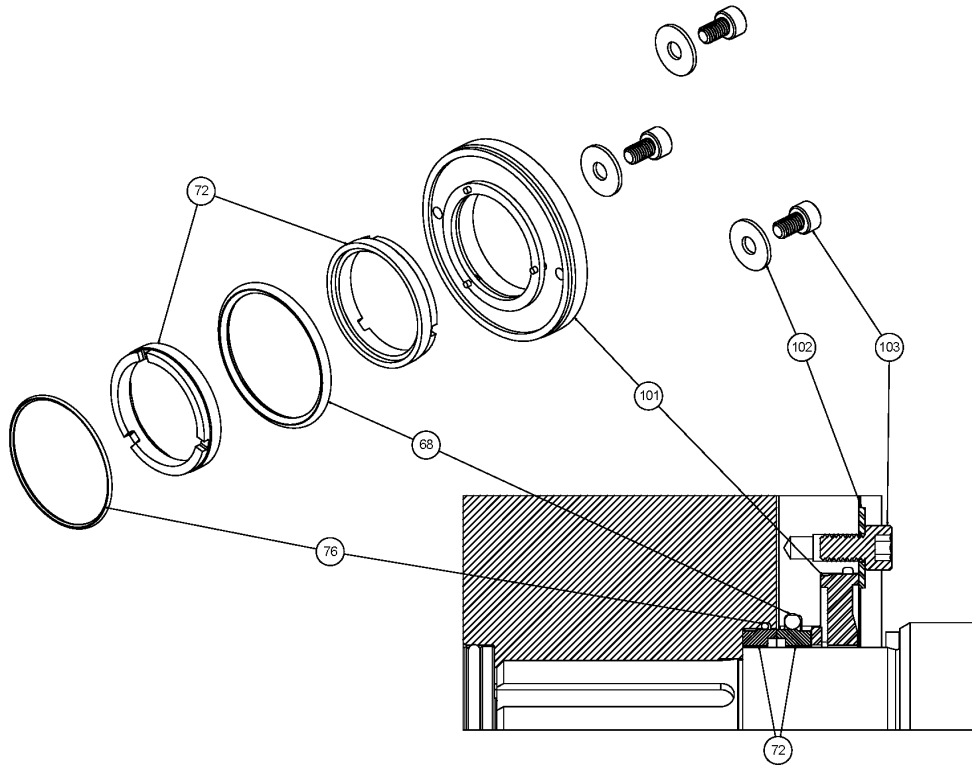
Ref #	Component Item No.	Description	Qty Per
2	AL30-GB03-SS	GEAR BOX - SS	1
5	AL30-SF03-SS	DRIVE SHAFT - AL34	1
6	AL30-HG02-CS	HELICAL GEAR - RIGHT HAND	1
	AL30-HG01-CS	HELICAL GEAR - LEFT HAND	1
7	AL30-BS01-CS	BEARING SPACER	2
8	AL30-BE01-CC	FRONT BEARING	2
9	AL30-BE02-CS	REAR BEARING	2
10	AL30-GS01-CS	GEAR SPACER	2
11	AL30-GK01-CS	GEAR KEY - 14x9x36	2
12	AL30-SK01-CS	SHAFT KEY - 14x9x36	1
13	AL00-PN02-SS	SET PIN FOR DOUBLE SEAL	8
15	AL30-SF04-SS	SHORT SHAFT - AL34	1
24	AL30-GB04-SS	GEAR BOX COVER - SS	1
25	P1GX115798	HEX PLUG WITH NBR SEAL	2
26	P1GX115799	OIL LEVEL INDICATOR	2
27	AL30-PN05-SS	DOWEL FOR GEAR BOX, AL300/AL400	2
28	AL30-GB05-SS	GEAR BOX BASE - SS	1
29	AL30-LN01-CS	LOCK NUT	2
30	AL30-LW01-CS	LOCK WASHER	2
32	AL30-OS02-L3	REAR OIL SEAL - NBR	1
34	AL30-OS01-SS	OIL SEAL GLAND	2
35	N70046	O-RING FOR OIL SEAL GLAND - NBR	2
36	AL30-OS01-L3	FRONT OIL SEAL - NBR	2
37	AL30-BT01-SS	CAP SCREW FOR OIL SEAL GLAND	8
38	AL30-BT02-SS	CAP SCREW FOR GEAR BOX COVER	4
39	AL30-BT03-SS	CAP SCREW FOR GEAR BASE	4
40	AL30-BT04-SS	EYEBOLT	2



Exploded View

Optional Items Shown in ITALICS

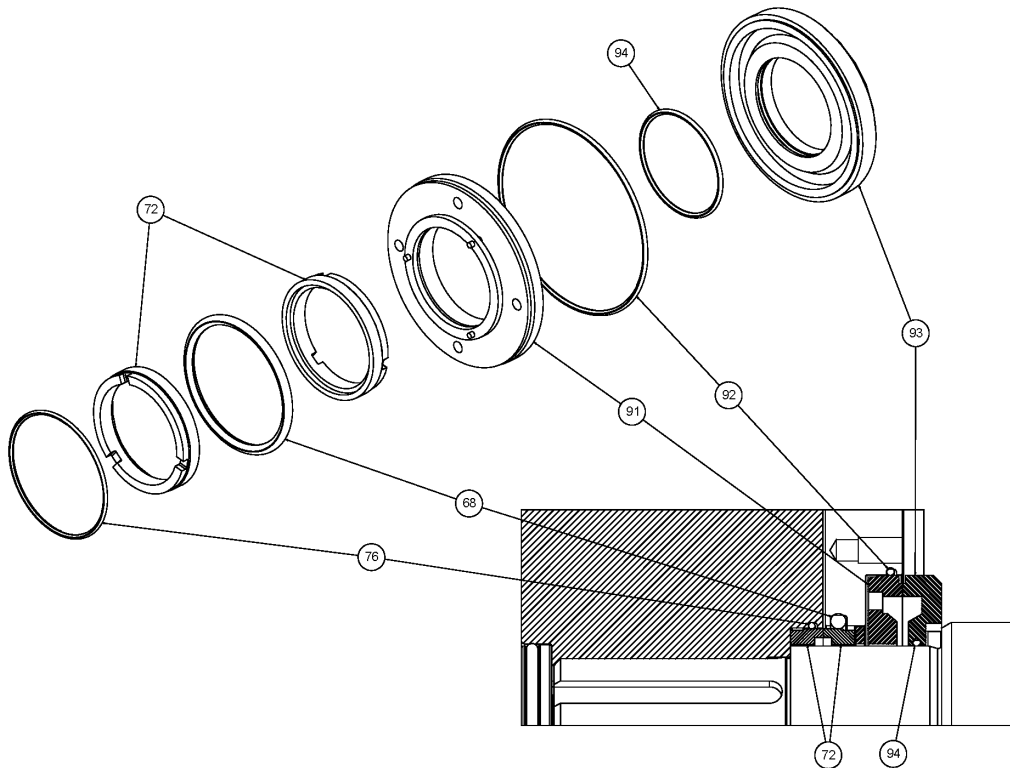
Ref #	Component Item No.	Description	Qty Per
61	AL30-SB02-SS	CASE STUD BOLT - AL34	4
62	AL30-SP01-SS-04	SHIM - 0.004" THICKNESS - AL300 SERIES	2
	AL30-SP01-SS-02	SHIM - 0.002" THICKNESS - AL300 SERIES	2
63	AL30-PN04-SS	DOWEL FOR CASE	2
65	AL30-RC47-SS	ROTOR CASE - AL34	1
68	E70230	O-RING FOR ROTOR CASE - EPDM	2
	V70230	O-RING FOR ROTOR CASE - VITON	2
72	AL30-SE06-SS	SEAL/MECHANICAL SEAL RING - TC	4
	AL30-SE07-SS	SEAL/MECHANICAL SEAL RING - SC	4
74	AL30-RT12-SS-1	ROTOR BI-WING (TOP) - AL34	1
	AL30-RT12-SS-2	ROTOR BI-WING (SIDE) - AL34	1
	AL30-RT12-SS-1H	ROTOR BI-WING (TOP) - AL34 - HOT	1
	AL30-RT12-SS-2H	ROTOR BI-WING (SIDE) - AL34 - HOT	1
	AL30-RT14-SS-1	ROTOR TRI-LOBE (TOP) - AL34	2
76	E70142	O-RING FOR ROTOR - EPDM	2
	V70142	O-RING FOR ROTOR - VITON	2
77	AL30-RB01-SS	ROTOR BOLT - (HEX HEAD)	2
78	AL30-SW01-SS	SPRING WASHER FOR ROTOR BOLT	2
79	E70225	O-RING FOR ROTOR BOLT - EPDM	2
	V70225	O-RING FOR ROTOR BOLT - VITON	2
80	AL30-FC01-SS	FRONT COVER	1
81	AL30-HN01-SS	HEX NUT/STUD BOLT LOCK	4
82	E70271	O-RING FOR FRONT COVER - EPDM	1
	V70271	O-RING FOR FRONT COVER - VITON	1
	TE70271	O-RING FOR FRONT COVER - TEFLON ENCAP	1
83	AL30-CN01-SS	CAP NUT	4



Single Mechanical Seal

Optional Items Shown in ITALICS

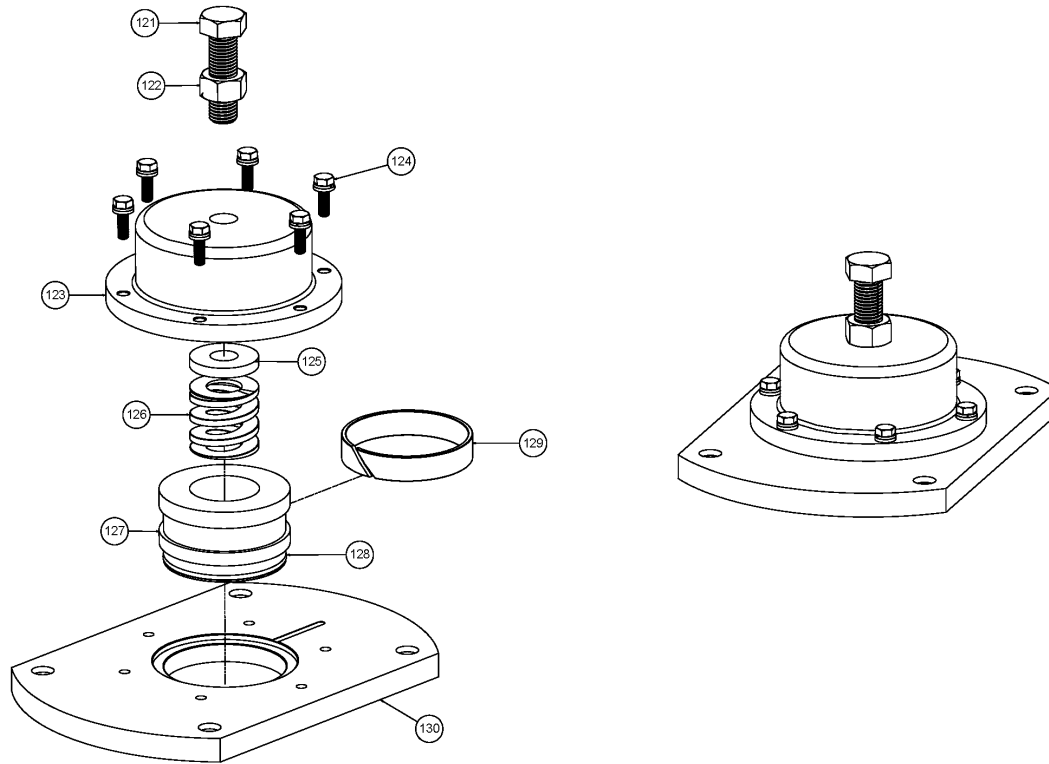
Ref #	Component Item No.	Description	Qty Per
68	E70230	O-RING FOR ROTOR CASE - EPDM	2
	<i>V70230</i>	<i>O-RING FOR ROTOR CASE - VITON</i>	<i>2</i>
72	AL30-SE07-SS	SEAL/MECHANICAL SEAL RING - SC	4
76	E70142	O-RING FOR ROTOR - EPDM	2
	<i>V70142</i>	<i>O-RING FOR ROTOR - VITON</i>	<i>2</i>
101	AL30-SE01-S3	SEAL/SINGLE MECH SEAL BASE	2
102	AL00-WS01-SS	DIN M6 FENDER WASHER	6
103	AL00-BT01-SS	CAP SCREW FOR SEAL RETAINER	6



Double Mechanical Seal

Optional Items Shown in ITALICS

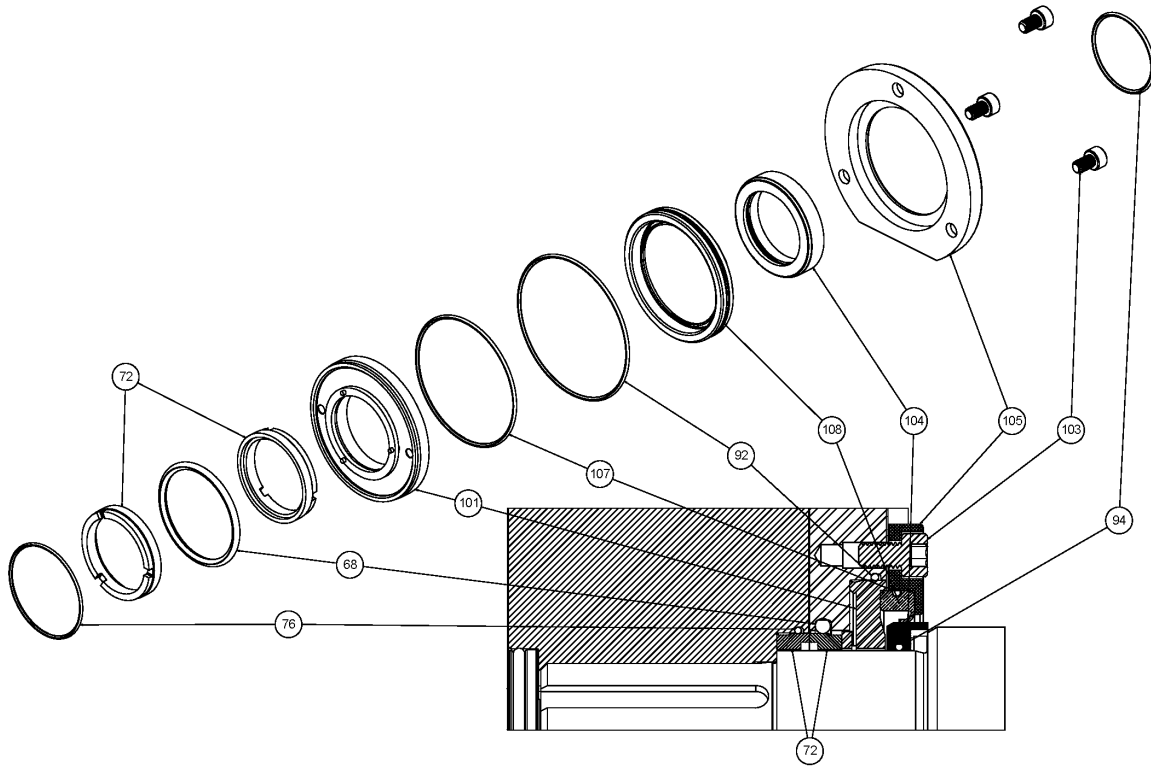
Ref #	Component Item No.	Description	Qty Per
68	E70230	O-RING FOR ROTOR CASE - EPDM	2
	<i>V70230</i>	<i>O-RING FOR ROTOR CASE - VITON</i>	2
72	AL30-SE07-SS	SEAL/MECHANICAL SEAL RING - SC	4
76	E70142	O-RING FOR ROTOR - EPDM	2
	<i>V70142</i>	<i>O-RING FOR ROTOR - VITON</i>	2
91	AL30-SE01-S5	DOUBLE SEAL REAR BASE - SC	2
	<i>AL30-SE01-S6</i>	<i>DOUBLE SEAL REAR BASE - TC</i>	2
92	E70043	O-RING FOR DOUBLE SEAL CASE - EPDM	2
	<i>V70043</i>	<i>O-RING FOR DOUBLE SEAL CASE - VITON</i>	2
93	AL30-SE02-S1	SEAL/FLUSHED SEAL UNIT - TC	2
	<i>AL30-SE02-S2</i>	<i>SEAL/FLUSHED SEAL UNIT - SC</i>	2
94	E70033	O-RING FOR DOUBLE SEAL SHAFT - EPDM	2
	<i>V70033</i>	<i>O-RING FOR DOUBLE SEAL SHAFT - VITON</i>	2



Pressure Relief Cover

Optional Items Shown in ITALICS

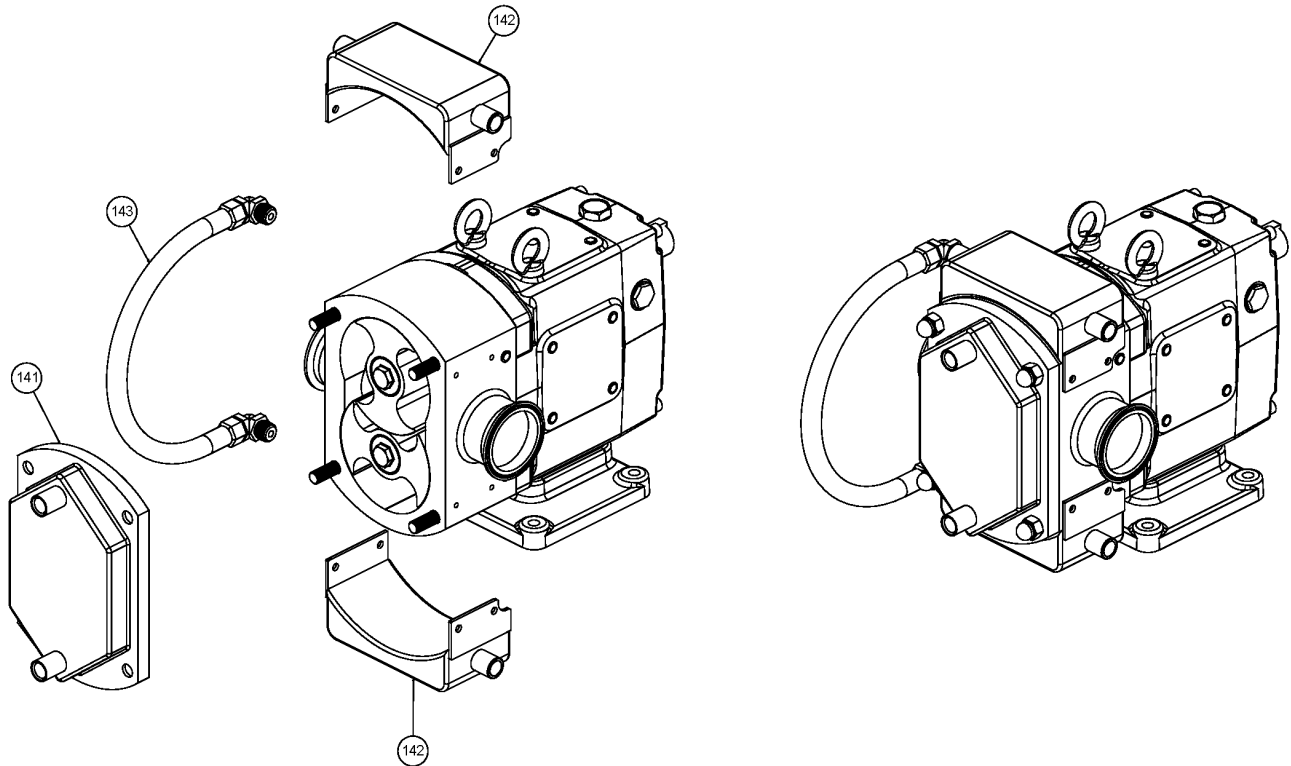
Ref #	Component Item No.	Description	Qty Per
120	GX5519190	BOLT, HEX HEAD	1
121	GX5519000	NUT, HEX HEAD	1
122	AL30-RH02-SS	RELIEF VALVE HOUSING	1
123	GX5512110	BOLT, HEX HEAD	8
124	GX5512010	LOCK WASHER	8
125	AL40-RP03-SS	ADJUSTMENT PIN, AL300/AL400	1
126	AL30-RS03-CS	SPRING, AL300/AL400	1
127	AL40-RV02-SS	VALVE HEAD, AL300/AL400	1
128	AL40-WR01-PF	WEAR RING, TEFLON, AL300/AL400	1
129	E70238	O-RING, EPDM	1
	V70238	O-RING, VITON	1
130	AL30-FC04-SS	FRONT COVER, VENTED	1
131	AL30-FR01-SS	FRONT COVER ASSEMBLY, VENTED	1



Single Mechanical Seal with Flush

Optional Items Shown in ITALICS

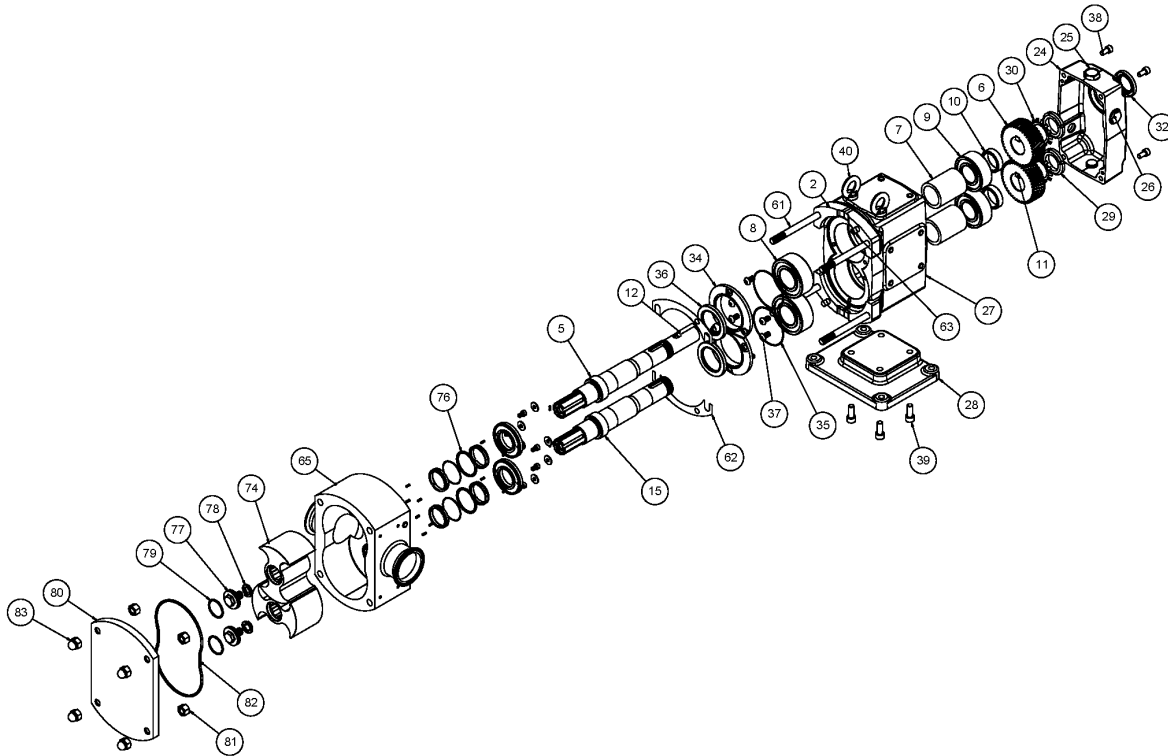
Ref #	Component Item No.	Description	Qty Per
68	E70230	O-RING FOR ROTOR CASE - EPDM	2
	<i>V70230</i>	<i>O-RING FOR ROTOR CASE - VITON</i>	<i>2</i>
72	AL30-SE06-SS	SEAL/MECHANICAL SEAL RING - TC	4
	<i>AL30-SE07-SS</i>	<i>SEAL/MECHANICAL SEAL RING - SC</i>	<i>4</i>
76	E70142	O-RING FOR ROTOR - EPDM	2
	<i>V70142</i>	<i>O-RING FOR ROTOR - VITON</i>	<i>2</i>
92	E70043	O-RING FOR DOUBLE SEAL CASE - EPDM	2
	<i>V70043</i>	<i>O-RING FOR DOUBLE SEAL CASE - VITON</i>	<i>2</i>
94	E70033	O-RING FOR DOUBLE SEAL SHAFT - EPDM	2
	<i>V70033</i>	<i>O-RING FOR DOUBLE SEAL SHAFT - VITON</i>	<i>2</i>
101	AL30-SE01-S3	SEAL/SINGLE MECH SEAL BASE	2
103	AL00-BT01-SS	CAP SCREW FOR SEAL RETAINER	6
104	AL30-FL02-CE	CERMAIC SLEEVE FOR FLUSHING	2
105	AL30-FL03-SS	SS GLAND FOR FLUSHING	2
107	E70041	O-RING FOR FLUSHED LIP - EPDM	2
	<i>V70041</i>	<i>O-RING FOR FLUSHED LIP - VITON</i>	<i>2</i>
108	AL30-FL01-PF	PTFE - LIP SEAL FOR FLUSHING	2



Heating Jackets

Optional Items Shown in ITALICS

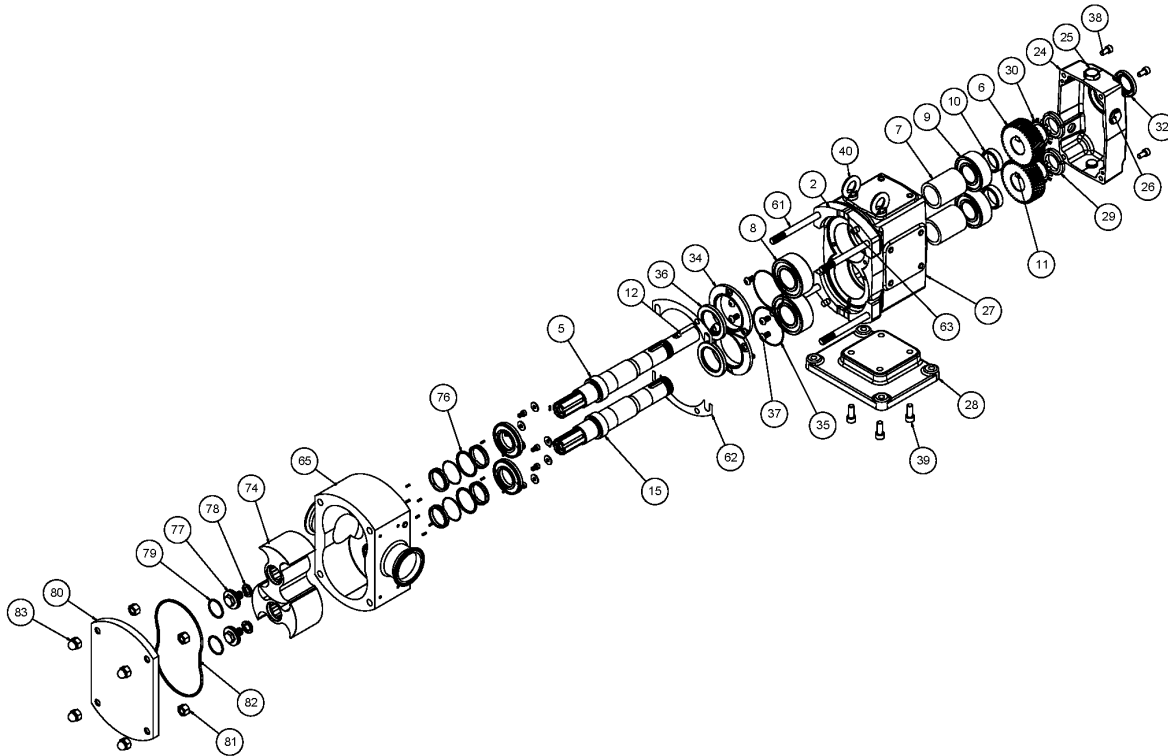
Ref #	Component Item No.	Description	Qty Per
141	AL30-FC02-SS	FRONT COVER WITH JACKET	1
142	AL30-HJ05-SS	CASE HEATING JACKET FOR BODY BOTTOM - AL34	1
	AL30-HJ04-SS	CASE HEATING JACKET FOR BODY TOP - AL34	1
143	AL30-HJ03-SS	CASE HEATING JACKET FOR TUBE ASS'Y - AL300	1



Exploded View

Optional Items Shown in ITALICS

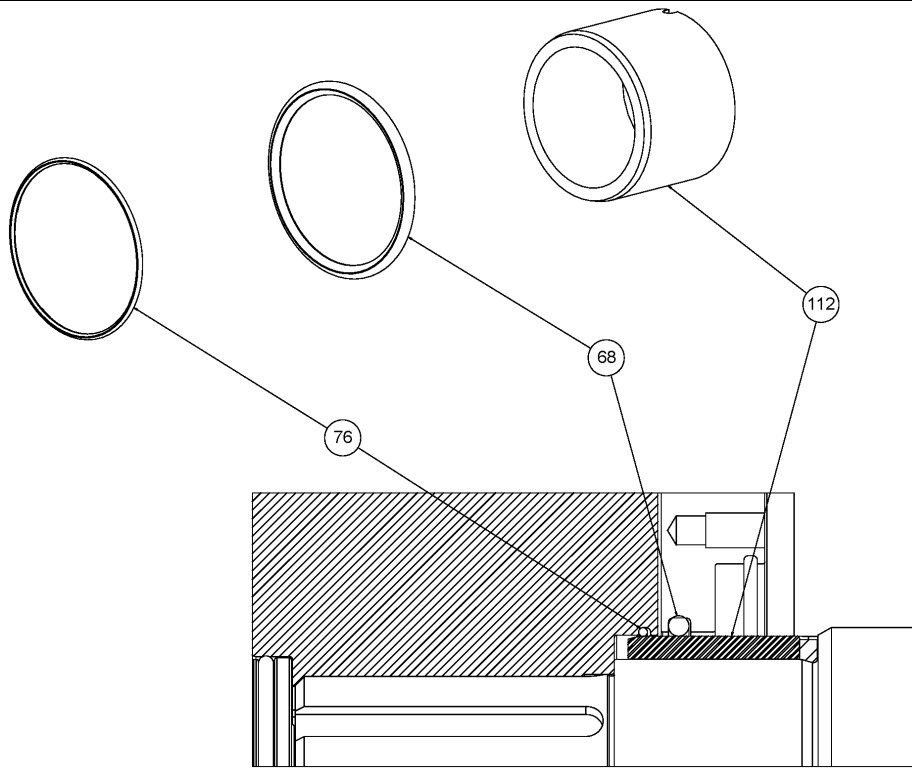
Ref #	Component Item No.	Description	Qty Per
2	AL30-GB03-SS	GEAR BOX - SS	1
5	AL30-SF03-SS	DRIVE SHAFT - AL34	1
6	AL30-HG01-CS	HELICAL GEAR - LEFT HAND	1
	AL30-HG02-CS	HELICAL GEAR - RIGHT HAND	1
7	AL30-BS01-CS	BEARING SPACER	2
8	AL30-BE01-CC	FRONT BEARING	2
9	AL30-BE02-CS	REAR BEARING	2
10	AL30-GS01-CS	GEAR SPACER	2
11	AL30-GK01-CS	GEAR KEY - 14x9x36	2
12	AL30-SK01-CS	SHAFT KEY - 14x9x36	1
13	AL00-PN02-SS	SET PIN FOR DOUBLE SEAL	8
15	AL30-SF04-SS	SHORT SHAFT - AL34	1
24	AL30-GB04-SS	GEAR BOX COVER - SS	1
25	P1GX115798	HEX PLUG WITH NBR SEAL	2
26	P1GX115799	OIL LEVEL INDICATOR	2
27	AL30-PN05-SS	DOWEL FOR GEAR BOX, AL300/AL400	2
28	AL30-GB05-SS	GEAR BOX BASE - SS	1
29	AL30-LN01-CS	LOCK NUT	2
30	AL30-LW01-CS	LOCK WASHER	2
32	AL30-OS02-L3	REAR OIL SEAL - NBR	1
34	AL30-OS01-SS	OIL SEAL GLAND	2
35	N70046	O-RING FOR OIL SEAL GLAND - NBR	2
36	AL30-OS01-L3	FRONT OIL SEAL - NBR	2
37	AL30-BT01-SS	CAP SCREW FOR OIL SEAL GLAND	8
38	AL30-BT02-SS	CAP SCREW FOR GEAR BOX COVER	4
39	AL30-BT03-SS	CAP SCREW FOR GEAR BASE	4
40	AL30-BT04-SS	EYEBOLT	2



Exploded View

Optional Items Shown in ITALICS

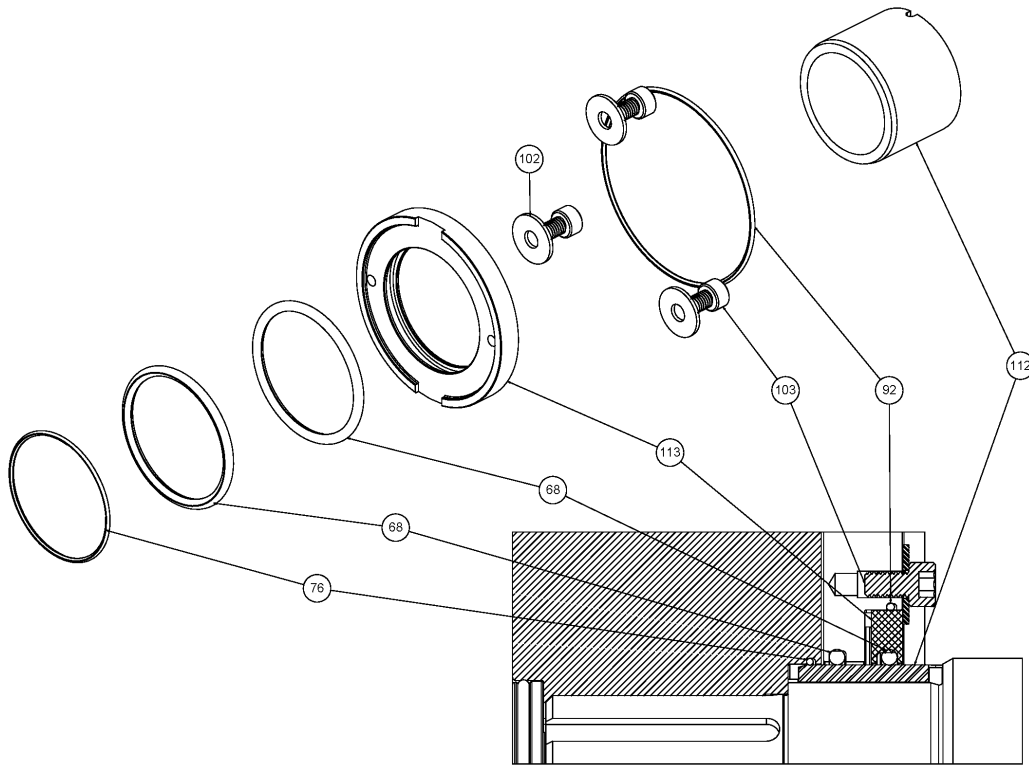
Ref #	Component Item No.	Description	Qty Per
61	AL30-SB02-SS	CASE STUD BOLT - AL34	4
62	AL30-SP01-SS-04	SHIM - 0.004" THICKNESS - AL300 SERIES	2
	AL30-SP01-SS-02	SHIM - 0.002" THICKNESS - AL300 SERIES	2
63	AL30-PN04-SS	DOWEL FOR CASE	2
65	AL30-RC47-SS	ROTOR CASE - AL34	1
68	E70230	O-RING FOR ROTOR CASE - EPDM	2
	V70230	O-RING FOR ROTOR CASE - VITON	2
72	AL30-SE06-SS	SEAL/MECHANICAL SEAL RING - TC	4
	AL30-SE07-SS	SEAL/MECHANICAL SEAL RING - SC	4
74	AL30-RT12-SS-2	ROTOR BI-WING (SIDE) - AL34	1
	AL30-RT12-SS-1	ROTOR BI-WING (TOP) - AL34	1
	AL30-RT12-SS-1H	ROTOR BI-WING (TOP) - AL34 - HOT	1
	AL30-RT12-SS-2H	ROTOR BI-WING (SIDE) - AL34 - HOT	1
	AL30-RT14-SS-1	ROTOR TRI-LOBE (TOP) - AL34	2
76	E70142	O-RING FOR ROTOR - EPDM	2
	V70142	O-RING FOR ROTOR - VITON	2
77	AL30-RB01-SS	ROTOR BOLT - (HEX HEAD)	2
78	AL30-SW01-SS	SPRING WASHER FOR ROTOR BOLT	2
79	E70225	O-RING FOR ROTOR BOLT - EPDM	2
	V70225	O-RING FOR ROTOR BOLT - VITON	2
80	AL30-FC01-SS	FRONT COVER	1
81	AL30-HN01-SS	HEX NUT/STUD BOLT LOCK	4
82	E70271	O-RING FOR FRONT COVER - EPDM	1
	V70271	O-RING FOR FRONT COVER - VITON	1
	TE70271	O-RING FOR FRONT COVER - TEFLON ENCAP	1
83	AL30-CN01-SS	CAP NUT	4



Single O-Ring Seal

Optional Items Shown in ITALICS

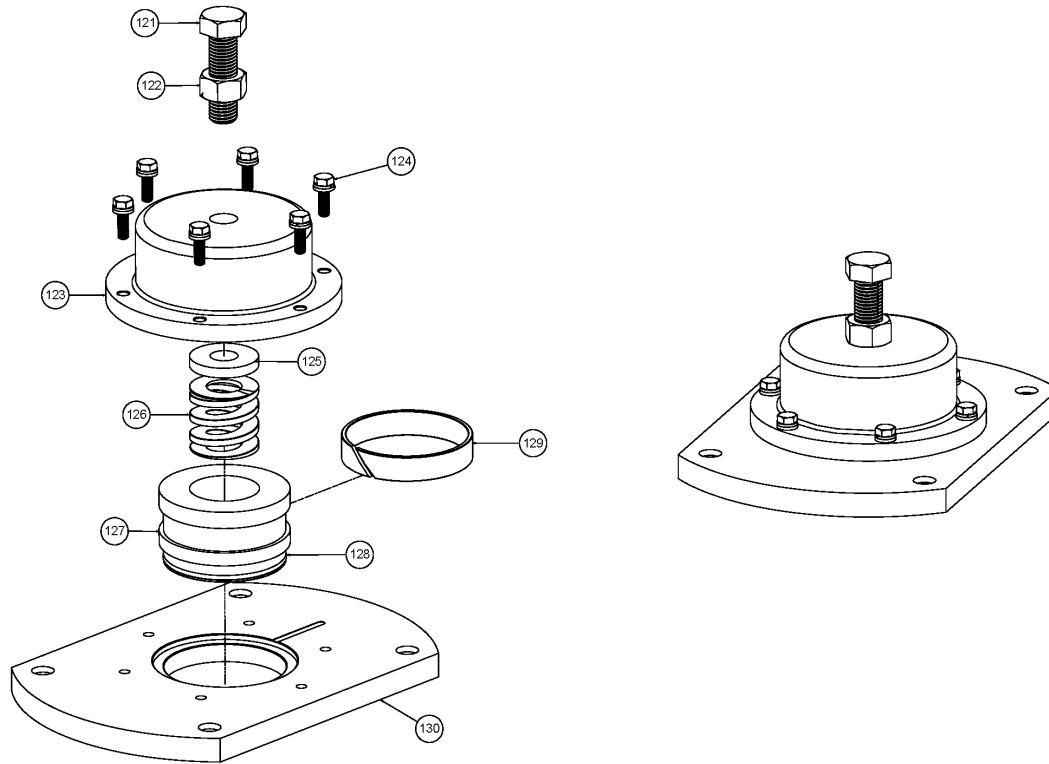
Ref #	Component Item No.	Description	Qty Per
68	E70230	O-RING FOR ROTOR CASE - EPDM	2
	<i>V70230</i>	<i>O-RING FOR ROTOR CASE - VITON</i>	<i>2</i>
76	E70142	O-RING FOR ROTOR - EPDM	2
	<i>V70142</i>	<i>O-RING FOR ROTOR - VITON</i>	<i>2</i>
112	AL30-SE08-SS	SLEEVE, CHROME OXIDE COATED	2
	<i>AL30-SE09-SS</i>	<i>SLEEVE, STAINLESS STEEL</i>	<i>2</i>
	<i>AL30-SE10-SS</i>	<i>SLEEVE, CERAMIC</i>	<i>2</i>



Double O-Ring Seal

Optional Items Shown in ITALICS

Ref #	Component Item No.	Description	Qty Per
68	E70230	O-RING FOR ROTOR CASE - EPDM	2
	<i>V70230</i>	<i>O-RING FOR ROTOR CASE - VITON</i>	2
76	E70142	O-RING FOR ROTOR - EPDM	2
	<i>V70142</i>	<i>O-RING FOR ROTOR - VITON</i>	2
92	E70043	O-RING FOR DOUBLE SEAL CASE - EPDM	2
	<i>V70043</i>	<i>O-RING FOR DOUBLE SEAL CASE - VITON</i>	2
102	AL00-WS01-SS	DIN M6 FENDER WASHER	6
103	AL00-BT01-SS	CAP SCREW FOR SEAL RETAINER	6
112	AL30-SE08-SS	SLEEVE, CHROME OXIDE COATED	2
	<i>AL30-SE09-SS</i>	<i>SLEEVE, STAINLESS STEEL</i>	2
	<i>AL30-SE10-SS</i>	<i>SLEEVE, CERAMIC</i>	2
113	AL30-OS02-SS	SS GLAND FOR DOUBLE O-RING	2



Pressure Relief Cover

Optional Items Shown in ITALICS

Ref #	Component Item No.	Description	Qty Per
120	GX5519190	BOLT, HEX HEAD	1
121	GX5519000	NUT, HEX HEAD	1
122	AL30-RH02-SS	RELIEF VALVE HOUSING	1
123	GX5512110	BOLT, HEX HEAD	8
124	GX5512010	LOCK WASHER	8
125	AL40-RP03-SS	ADJUSTMENT PIN, AL300/AL400	1
126	AL30-RS03-CS	SPRING, AL300/AL400	1
127	AL40-RV02-SS	VALVE HEAD, AL300/AL400	1
128	AL40-WR01-PF	WEAR RING, TEFLON, AL300/AL400	1
129	E70238	O-RING, EPDM	1
	V70238	O-RING, VITON	1
130	AL30-FC04-SS	FRONT COVER, VENTED	1
131	AL30-FR01-SS	FRONT COVER ASSEMBLY, VENTED	1



Heating Jackets

Optional Items Shown in ITALICS

Ref #	Component Item No.	Description	Qty Per
141	AL30-FC02-SS	FRONT COVER WITH JACKET	1
142	AL30-HJ04-SS	CASE HEATING JACKET FOR BODY TOP - AL34	1
	AL30-HJ05-SS	CASE HEATING JACKET FOR BODY BOTTOM - AL34	1
143	AL30-HJ03-SS	CASE HEATING JACKET FOR TUBE ASS'Y - AL300	1



Exploded View

Optional Items Shown in ITALICS

Ref #	Component Item No.	Description	Qty Per
2	AL40-GB06-SS	GEAR BOX - SS	1
5	AL40-SF05-SS	DRIVE SHAFT - AL44	1
6	AL40-HG02-CS	HELICAL GEAR - RIGHT HAND	1
	AL40-HG01-CS	HELICAL GEAR - LEFT HAND	1
7	AL40-BS03-CS	BEARING SPACER, SLEEVE	2
	AL40-BS04-CS	BEARING SPACER	2
8	P1GX200036000	FRONT BEARING	2
9	P1GX200036000	REAR BEARING	2
10	AL40-GS01-CS	GEAR SPACER	2
11	AL40-GK01-CS	GEAR KEY	2
12	AL40-SK01-CS	SHAFT KEY	1
13	AL00-PN02-SS	SET PIN FOR DOUBLE SEAL	12
15	AL40-SF06-SS	SHORT SHAFT - AL44	1
24	AL40-GB04-SS	GEAR BOX COVER - SS	1
25	P1GX115798	HEX PLUG WITH NBR SEAL	2
26	P1GX115799	OIL LEVEL INDICATOR	2
27	AL30-PN05-SS	DOWEL FOR GEAR BOX, AL300/AL400	2
28	AL40-GB05-SS	GEAR BOX BASE - SS	1
29	AL40-LN02-CS	LOCK NUT, REAR	2
30	AL40-LW02-CS	LOCK WASHER, REAR	2
32	AL40-OS02-L1	REAR OIL SEAL - NBR	1
34	AL40-OS01-SS	OIL SEAL GLAND	2
35	N70049	O-RING FOR OIL SEAL GLAND - NBR	2
36	AL40-OS01-L1	FRONT OIL SEAL - NBR	2
37	AL40-BT01-SS	CAP SCREW FOR OIL SEAL GLAND	8
38	AL40-BT05-SS	CAP SCREW FOR GEAR BOX COVER	4
39	AL40-BT02-SS	CAP SCREW FOR GEAR BASE	4



Exploded View

Optional Items Shown in ITALICS

Ref #	Component Item No.	Description	Qty Per
40	AL40-BT04-SS	EYEBOLT	2
61	AL40-SB01-SS	CASE STUD - AL44	4
62	AL40-SP01-SS-08	SHIM - 0.008" THICKNESS - AL400 SERIES	2
	AL40-SP01-SS-04	SHIM - 0.004" THICKNESS - AL400 SERIES	2
	AL40-SP01-SS-02	SHIM - 0.002" THICKNESS - AL400 SERIES	2
63	AL40-PN04-SS	DOWEL FOR CASE	2
65	AL40-RC47-SS	ROTOR CASE - AL44	1
68	E70234	O-RING FOR ROTOR CASE - EPDM	2
	V70234	O-RING FOR ROTOR CASE - VITON	2
72	AL40-SE06-SS	SEAL/MECHANICAL SEAL RING - TC	4
	AL40-SE07-SS	SEAL/MECHANICAL SEAL RING - SC	4
74	AL40-RT12-SS	ROTOR BI-WING (TOP) - AL44	1
	AL40-RT12-SS-2	ROTOR BI-WING (SIDE) - AL44	1
	AL40-RT14-SS	ROTOR TRI-LOBE (TOP) - AL44	2
76	E70151	O-RING FOR ROTOR - EPDM	2
	V70151	O-RING FOR ROTOR - VITON	2
77	AL40-RB01-SS	ROTOR BOLT	2
78	AL40-SW01-SS	SPRING WASHER FOR ROTOR BOLT	2
79	E70228	O-RING FOR ROTOR BOLT - EPDM	2
	V70228	O-RING FOR ROTOR BOLT - VITON	2
80	AL40-FC02-SS	FRONT COVER	1
81	AL40-HN01-SS	HEX NUT/STUD BOLT LOCK	4
82	E70278	O-RING FOR FRONT COVER - EPDM	1
	V70278	O-RING FOR FRONT COVER - VITON	1
	TE70278	O-RING FOR FRONT COVER - TEFLON ENCAP	1
83	AL40-CN01-SS	CAP NUT	4



Pressure Relief Cover

Optional Items Shown in ITALICS

Ref #	Component Item No.	Description	Qty Per
120	GX5519190	BOLT, HEX HEAD	1
121	GX5519000	NUT, HEX HEAD	1
122	AL40-RH02-SS	RELIEF VALVE HOUSING	1
123	GX5512110	BOLT, HEX HEAD	8
124	GX5512010	LOCK WASHER	8
125	AL40-RP03-SS	ADJUSTMENT PIN, AL300/AL400	1
126	AL30-RS03-CS	SPRING, AL300/AL400	1
127	AL40-RV02-SS	VALVE HEAD, AL300/AL400	1
128	AL40-WR01-PF	WEAR RING, TEFLON, AL300/AL400	1
129	E70238	O-RING, EPDM	1
	<i>V70238</i>	<i>O-RING, VITON</i>	<i>1</i>
130	AL40-FC05-SS	FRONT COVER, VENTED	1
131	AL40-FR01-SS	FRONT COVER ASSEMBLY, VENTED	1



Lip Seal

Optional Items Shown in ITALICS

Ref #	Component Item No.	Description	Qty Per
76	<i>E70151</i>	<i>O-RING FOR ROTOR - EPDM</i>	2
	<i>V70151</i>	<i>O-RING FOR ROTOR - VITON</i>	2
103	AL00-BT01-SS	CAP SCREW FOR SEAL RETAINER	6
113	AL40-SE09-SS	SS GLAND FOR FOR PRODUCT	2
114	E70237	O-RING, DOUBLE LIP SEAL - EPDM	2
	<i>V70237</i>	<i>O-RING, DOUBLE LIP SEAL - VITON</i>	2
115	AL40-SE05-S2	DOUBLE LIP SEAL FOR PRODCUT - TEFLON	2
	<i>AL40-SE06-S2</i>	<i>TRIPLE LIP SEAL FOR PRODCUT - TEFLON</i>	2



Heating Jackets

Optional Items Shown in ITALICS

Ref #	Component Item No.	Description	Qty Per
141	AL40-FC04-SS	FRONT COVER WITH JACKET	1
142	AL40-HJ02-SS	CASE HEATING JACKET FOR BODY BOTTOM - AL44	1
	AL40-HJ01-SS	CASE HEATING JACKET FOR BODY TOP - AL44	1
143	AL40-HJ03-SS	CASE HEATING JACKET FOR TUBE ASS'Y - AL400	1



Exploded View

Optional Items Shown in ITALICS

Ref #	Component Item No.	Description	Qty Per
2	AL40-GB06-SS	GEAR BOX - SS	1
5	AL40-SF05-SS	DRIVE SHAFT - AL44	1
6	AL40-HG02-CS	HELICAL GEAR - RIGHT HAND	1
	AL40-HG01-CS	HELICAL GEAR - LEFT HAND	1
7	AL40-BS03-CS	BEARING SPACER, SLEEVE	2
	AL40-BS04-CS	BEARING SPACER	2
8	P1GX200036000	FRONT BEARING	2
9	P1GX200036000	REAR BEARING	2
10	AL40-GS01-CS	GEAR SPACER	2
11	AL40-GK01-CS	GEAR KEY	2
12	AL40-SK01-CS	SHAFT KEY	1
13	AL00-PN02-SS	SET PIN FOR DOUBLE SEAL	12
15	AL40-SF06-SS	SHORT SHAFT - AL44	1
24	AL40-GB04-SS	GEAR BOX COVER - SS	1
25	P1GX115798	HEX PLUG WITH NBR SEAL	2
26	P1GX115799	OIL LEVEL INDICATOR	2
27	AL30-PN05-SS	DOWEL FOR GEAR BOX, AL300/AL400	2
28	AL40-GB05-SS	GEAR BOX BASE - SS	1
29	AL40-LN02-CS	LOCK NUT, REAR	2
30	AL40-LW02-CS	LOCK WASHER, REAR	2
32	AL40-OS02-L1	REAR OIL SEAL - NBR	1
34	AL40-OS01-SS	OIL SEAL GLAND	2
35	N70049	O-RING FOR OIL SEAL GLAND - NBR	2
36	AL40-OS01-L1	FRONT OIL SEAL - NBR	2
37	AL40-BT01-SS	CAP SCREW FOR OIL SEAL GLAND	8
38	AL40-BT05-SS	CAP SCREW FOR GEAR BOX COVER	4
39	AL40-BT02-SS	CAP SCREW FOR GEAR BASE	4



Exploded View

Optional Items Shown in ITALICS

Ref #	Component Item No.	Description	Qty Per
40	AL40-BT04-SS	EYEBOLT	2
61	AL40-SB01-SS	CASE STUD - AL44	4
62	AL40-SP01-SS-08	SHIM - 0.008" THICKNESS - AL400 SERIES	2
	AL40-SP01-SS-04	SHIM - 0.004" THICKNESS - AL400 SERIES	2
	AL40-SP01-SS-02	SHIM - 0.002" THICKNESS - AL400 SERIES	2
63	AL40-PN04-SS	DOWEL FOR CASE	2
65	AL40-RC47-SS	ROTOR CASE - AL44	1
68	E70234	O-RING FOR ROTOR CASE - EPDM	2
	V70234	O-RING FOR ROTOR CASE - VITON	2
72	AL40-SE06-SS	SEAL/MECHANICAL SEAL RING - TC	4
	AL40-SE07-SS	SEAL/MECHANICAL SEAL RING - SC	4
74	AL40-RT12-SS-2	ROTOR BI-WING (SIDE) - AL44	1
	AL40-RT12-SS	ROTOR BI-WING (TOP) - AL44	1
	AL40-RT14-SS	ROTOR TRI-LOBE (TOP) - AL44	2
76	E70151	O-RING FOR ROTOR - EPDM	2
	V70151	O-RING FOR ROTOR - VITON	2
77	AL40-RB01-SS	ROTOR BOLT	2
78	AL40-SW01-SS	SPRING WASHER FOR ROTOR BOLT	2
79	E70228	O-RING FOR ROTOR BOLT - EPDM	2
	V70228	O-RING FOR ROTOR BOLT - VITON	2
80	AL40-FC02-SS	FRONT COVER	1
81	AL40-HN01-SS	HEX NUT/STUD BOLT LOCK	4
82	E70278	O-RING FOR FRONT COVER - EPDM	1
	V70278	O-RING FOR FRONT COVER - VITON	1
	TE70278	O-RING FOR FRONT COVER - TEFLON ENCAP	1
83	AL40-CN01-SS	CAP NUT	4



Single Mechanical Seal

Optional Items Shown in ITALICS

Ref #	Component Item No.	Description	Qty Per
68	E70234	O-RING FOR ROTOR CASE - EPDM	2
	<i>V70234</i>	<i>O-RING FOR ROTOR CASE - VITON</i>	<i>2</i>
72	AL40-SE06-SS	SEAL/MECHANICAL SEAL RING - TC	4
	<i>AL40-SE07-SS</i>	<i>SEAL/MECHANICAL SEAL RING - SC</i>	<i>4</i>
76	E70151	O-RING FOR ROTOR - EPDM	2
	<i>V70151</i>	<i>O-RING FOR ROTOR - VITON</i>	<i>2</i>
101	AL40-SE01-S3	SEAL/SINGLE MECH SEAL BASE	2
103	AL00-BT01-SS	CAP SCREW FOR SEAL RETAINER	6



Double Mechanical Seal

Optional Items Shown in ITALICS

Ref #	Component Item No.	Description	Qty Per
68	E70234	O-RING FOR ROTOR CASE - EPDM	2
	<i>V70234</i>	<i>O-RING FOR ROTOR CASE - VITON</i>	<i>2</i>
72	AL40-SE06-SS	SEAL/MECHANICAL SEAL RING - TC	4
	<i>AL40-SE07-SS</i>	<i>SEAL/MECHANICAL SEAL RING - SC</i>	<i>4</i>
76	E70151	O-RING FOR ROTOR - EPDM	2
	<i>V70151</i>	<i>O-RING FOR ROTOR - VITON</i>	<i>2</i>
91	AL40-SE01-S5	DOUBLE SEAL REAR BASE - SC	2
	<i>AL40-SE01-S6</i>	<i>DOUBLE SEAL REAR BASE - TC</i>	<i>2</i>
92	E70045	O-RING FOR DOUBLE SEAL CASE - EPDM	2
	<i>V70045</i>	<i>O-RING FOR DOUBLE SEAL CASE - VITON</i>	<i>2</i>
93	AL40-SE02-S2	SEAL/FLUSHED SEAL UNIT - SC	2
	<i>AL40-SE02-S1</i>	<i>SEAL/FLUSHED SEAL UNIT - TC</i>	<i>2</i>
94	E70038	O-RING FOR DOUBLE SEAL SHAFT - EPDM	2
	<i>V70038</i>	<i>O-RING FOR DOUBLE SEAL SHAFT - VITON</i>	<i>2</i>



Pressure Relief Cover

Optional Items Shown in ITALICS

Ref #	Component Item No.	Description	Qty Per
120	GX5519190	BOLT, HEX HEAD	1
121	GX5519000	NUT, HEX HEAD	1
122	AL40-RH02-SS	RELIEF VALVE HOUSING	1
123	GX5512110	BOLT, HEX HEAD	8
124	GX5512010	LOCK WASHER	8
125	AL40-RP03-SS	ADJUSTMENT PIN, AL300/AL400	1
126	AL30-RS03-CS	SPRING, AL300/AL400	1
127	AL40-RV02-SS	VALVE HEAD, AL300/AL400	1
128	AL40-WR01-PF	WEAR RING, TEFLON, AL300/AL400	1
129	E70238	O-RING, EPDM	1
	<i>V70238</i>	<i>O-RING, VITON</i>	<i>1</i>
130	AL40-FC05-SS	FRONT COVER, VENTED	1
131	AL40-FR01-SS	FRONT COVER ASSEMBLY, VENTED	1



Single Mechanical Seal with Flush

Optional Items Shown in ITALICS

Ref #	Component Item No.	Description	Qty Per
68	E70234	O-RING FOR ROTOR CASE - EPDM	2
	<i>V70234</i>	<i>O-RING FOR ROTOR CASE - VITON</i>	<i>2</i>
72	AL40-SE06-SS	SEAL/MECHANICAL SEAL RING - TC	4
	<i>AL40-SE07-SS</i>	<i>SEAL/MECHANICAL SEAL RING - SC</i>	<i>4</i>
76	E70151	O-RING FOR ROTOR - EPDM	2
	<i>V70151</i>	<i>O-RING FOR ROTOR - VITON</i>	<i>2</i>
92	E70045	O-RING FOR DOUBLE SEAL CASE - EPDM	2
	<i>V70045</i>	<i>O-RING FOR DOUBLE SEAL CASE - VITON</i>	<i>2</i>
94	E70038	O-RING FOR DOUBLE SEAL SHAFT - EPDM	2
	<i>V70038</i>	<i>O-RING FOR DOUBLE SEAL SHAFT - VITON</i>	<i>2</i>
101	AL40-SE01-S3	SEAL/SINGLE MECH SEAL BASE	2
103	AL00-BT01-SS	CAP SCREW FOR SEAL RETAINER	6
104	AL40-FL02-CE	CERMAIC SLEEVE FOR FLUSHING	2
105	AL40-FL03-SS	SS GLAND FOR FLUSHING	2
107	E70043	O-RING FOR FLUSHED LIP - EPDM	2
	<i>V70043</i>	<i>O-RING FOR FLUSHED LIP - VITON</i>	<i>2</i>
108	AL40-FL01-PF	PTFE - LIP SEAL FOR FLUSHING	2



Heating Jackets

Optional Items Shown in ITALICS

Ref #	Component Item No.	Description	Qty Per
141	AL40-FC04-SS	FRONT COVER WITH JACKET	1
142	AL40-HJ02-SS	CASE HEATING JACKET FOR BODY BOTTOM - AL44	1
	AL40-HJ01-SS	CASE HEATING JACKET FOR BODY TOP - AL44	1
143	AL40-HJ03-SS	CASE HEATING JACKET FOR TUBE ASS'Y - AL400	1



Exploded View

Optional Items Shown in ITALICS

Ref #	Component Item No.	Description	Qty Per
2	AL40-GB06-SS	GEAR BOX - SS	1
5	AL40-SF05-SS	DRIVE SHAFT - AL44	1
6	AL40-HG02-CS	HELICAL GEAR - RIGHT HAND	1
	AL40-HG01-CS	HELICAL GEAR - LEFT HAND	1
7	AL40-BS03-CS	BEARING SPACER, SLEEVE	2
	AL40-BS04-CS	BEARING SPACER	2
8	P1GX200036000	FRONT BEARING	2
9	P1GX200036000	REAR BEARING	2
10	AL40-GS01-CS	GEAR SPACER	2
11	AL40-GK01-CS	GEAR KEY	2
12	AL40-SK01-CS	SHAFT KEY	1
13	AL00-PN02-SS	SET PIN FOR DOUBLE SEAL	12
15	AL40-SF06-SS	SHORT SHAFT - AL44	1
24	AL40-GB04-SS	GEAR BOX COVER - SS	1
25	P1GX115798	HEX PLUG WITH NBR SEAL	2
26	P1GX115799	OIL LEVEL INDICATOR	2
27	AL30-PN05-SS	DOWEL FOR GEAR BOX, AL300/AL400	2
28	AL40-GB05-SS	GEAR BOX BASE - SS	1
29	AL40-LN02-CS	LOCK NUT, REAR	2
30	AL40-LW02-CS	LOCK WASHER, REAR	2
32	AL40-OS02-L1	REAR OIL SEAL - NBR	1
34	AL40-OS01-SS	OIL SEAL GLAND	2
35	N70049	O-RING FOR OIL SEAL GLAND - NBR	2
36	AL40-OS01-L1	FRONT OIL SEAL - NBR	2
37	AL40-BT01-SS	CAP SCREW FOR OIL SEAL GLAND	8
38	AL40-BT05-SS	CAP SCREW FOR GEAR BOX COVER	4
39	AL40-BT02-SS	CAP SCREW FOR GEAR BASE	4



Exploded View

Optional Items Shown in ITALICS

Ref #	Component Item No.	Description	Qty Per
40	AL40-BT04-SS	EYEBOLT	2
61	AL40-SB01-SS	CASE STUD - AL44	4
62	AL40-SP01-SS-02	SHIM - 0.002" THICKNESS - AL400 SERIES	2
	AL40-SP01-SS-04	SHIM - 0.004" THICKNESS - AL400 SERIES	2
	AL40-SP01-SS-08	SHIM - 0.008" THICKNESS - AL400 SERIES	2
63	AL40-PN04-SS	DOWEL FOR CASE	2
65	AL40-RC47-SS	ROTOR CASE - AL44	1
68	E70234	O-RING FOR ROTOR CASE - EPDM	2
	V70234	O-RING FOR ROTOR CASE - VITON	2
72	AL40-SE06-SS	SEAL/MECHANICAL SEAL RING - TC	4
	AL40-SE07-SS	SEAL/MECHANICAL SEAL RING - SC	4
74	AL40-RT12-SS	ROTOR BI-WING (TOP) - AL44	1
	AL40-RT12-SS-2	ROTOR BI-WING (SIDE) - AL44	1
	AL40-RT14-SS	ROTOR TRI-LOBE (TOP) - AL44	2
76	E70151	O-RING FOR ROTOR - EPDM	2
	V70151	O-RING FOR ROTOR - VITON	2
77	AL40-RB01-SS	ROTOR BOLT	2
78	AL40-SW01-SS	SPRING WASHER FOR ROTOR BOLT	2
79	E70228	O-RING FOR ROTOR BOLT - EPDM	2
	V70228	O-RING FOR ROTOR BOLT - VITON	2
80	AL40-FC02-SS	FRONT COVER	1
81	AL40-HN01-SS	HEX NUT/STUD BOLT LOCK	4
82	E70278	O-RING FOR FRONT COVER - EPDM	1
	V70278	O-RING FOR FRONT COVER - VITON	1
	TE70278	O-RING FOR FRONT COVER - TEFLON ENCAP	1
83	AL40-CN01-SS	CAP NUT	4



Single O-Ring Seal

Optional Items Shown in ITALICS

Ref #	Component Item No.	Description	Qty Per
68	E70234	O-RING FOR ROTOR CASE - EPDM	2
	<i>V70234</i>	<i>O-RING FOR ROTOR CASE - VITON</i>	<i>2</i>
76	E70151	O-RING FOR ROTOR - EPDM	2
	<i>V70151</i>	<i>O-RING FOR ROTOR - VITON</i>	<i>2</i>
112	<i>AL40-SE08-SS-O</i>	<i>SLEEVE, STAINLESS STEEL</i>	<i>2</i>
	<i>AL40-SE08-C-O</i>	<i>SLEEVE, CERAMIC</i>	<i>2</i>



Double O-Ring Seal

Optional Items Shown in ITALICS

Ref #	Component Item No.	Description	Qty Per
68	E70234	O-RING FOR ROTOR CASE - EPDM	2
	<i>V70234</i>	<i>O-RING FOR ROTOR CASE - VITON</i>	<i>2</i>
76	E70151	O-RING FOR ROTOR - EPDM	2
	<i>V70151</i>	<i>O-RING FOR ROTOR - VITON</i>	<i>2</i>
92	E70045	O-RING FOR DOUBLE SEAL CASE - EPDM	2
	<i>V70045</i>	<i>O-RING FOR DOUBLE SEAL CASE - VITON</i>	<i>2</i>
102	AL00-WS01-SS	DIN M6 FENDER WASHER	6
103	AL00-BT01-SS	CAP SCREW FOR SEAL RETAINER	6
112	<i>AL40-SE08-SS-O</i>	<i>SLEEVE, STAINLESS STEEL</i>	<i>2</i>
	<i>AL40-SE08-C-O</i>	<i>SLEEVE, CERAMIC</i>	<i>2</i>



Pressure Relief Cover

Optional Items Shown in ITALICS

Ref #	Component Item No.	Description	Qty Per
120	GX5519190	BOLT, HEX HEAD	1
121	GX5519000	NUT, HEX HEAD	1
122	AL40-RH02-SS	RELIEF VALVE HOUSING	1
123	GX5512110	BOLT, HEX HEAD	8
124	GX5512010	LOCK WASHER	8
125	AL40-RP03-SS	ADJUSTMENT PIN, AL300/AL400	1
126	AL30-RS03-CS	SPRING, AL300/AL400	1
127	AL40-RV02-SS	VALVE HEAD, AL300/AL400	1
128	AL40-WR01-PF	WEAR RING, TEFLON, AL300/AL400	1
129	E70238	O-RING, EPDM	1
	<i>V70238</i>	<i>O-RING, VITON</i>	<i>1</i>
130	AL40-FC05-SS	FRONT COVER, VENTED	1
131	AL40-FR01-SS	FRONT COVER ASSEMBLY, VENTED	1



Heating Jackets

Optional Items Shown in ITALICS

Ref #	Component Item No.	Description	Qty Per
141	AL40-FC04-SS	FRONT COVER WITH JACKET	1
142	AL40-HJ02-SS	CASE HEATING JACKET FOR BODY BOTTOM - AL44	1
	AL40-HJ01-SS	CASE HEATING JACKET FOR BODY TOP - AL44	1
143	AL40-HJ03-SS	CASE HEATING JACKET FOR TUBE ASS'Y - AL400	1



Exploded View

Optional Items Shown in ITALICS

Ref #	Component Item No.	Description	Qty Per
2	AL40-GB06-SS	GEAR BOX - SS	1
5	AL40-SF07-SS	DRIVE SHAFT - AL46	1
6	AL40-HG01-CS	HELICAL GEAR - LEFT HAND	1
	AL40-HG02-CS	HELICAL GEAR - RIGHT HAND	1
7	AL40-BS03-CS	BEARING SPACER, SLEEVE	2
	AL40-BS04-CS	BEARING SPACER	2
8	P1GX200036000	FRONT BEARING	2
9	P1GX200036000	REAR BEARING	2
10	AL40-GS01-CS	GEAR SPACER	2
11	AL40-GK01-CS	GEAR KEY	2
12	AL40-SK01-CS	SHAFT KEY	1
13	AL00-PN02-SS	SET PIN FOR DOUBLE SEAL	12
15	AL40-SF08-SS	SHORT SHAFT - AL46	1
24	AL40-GB04-SS	GEAR BOX COVER - SS	1
25	P1GX115798	HEX PLUG WITH NBR SEAL	2
26	P1GX115799	OIL LEVEL INDICATOR	2
27	AL30-PN05-SS	DOWEL FOR GEAR BOX, AL300/AL400	2
28	AL40-GB05-SS	GEAR BOX BASE - SS	1
29	AL40-LN02-CS	LOCK NUT, REAR	2
30	AL40-LW02-CS	LOCK WASHER, REAR	2
32	AL40-OS02-L1	REAR OIL SEAL - NBR	1
34	AL40-OS01-SS	OIL SEAL GLAND	2
35	N70049	O-RING FOR OIL SEAL GLAND - NBR	2
36	AL40-OS01-L1	FRONT OIL SEAL - NBR	2
37	AL40-BT01-SS	CAP SCREW FOR OIL SEAL GLAND	8
38	AL40-BT05-SS	CAP SCREW FOR GEAR BOX COVER	4
39	AL40-BT02-SS	CAP SCREW FOR GEAR BASE	4



Exploded View

Optional Items Shown in ITALICS

Ref #	Component Item No.	Description	Qty Per
40	AL40-BT04-SS	EYEBOLT	2
61	AL40-SB02-SS	CASE STUD - AL46	4
62	AL40-SP01-SS-02	SHIM - 0.002" THICKNESS - AL400 SERIES	2
	AL40-SP01-SS-04	SHIM - 0.004" THICKNESS - AL400 SERIES	2
	AL40-SP01-SS-08	SHIM - 0.008" THICKNESS - AL400 SERIES	2
63	AL40-PN04-SS	DOWEL FOR CASE	2
65	<i>AL40-RC67-SS</i>	<i>ROTOR CASE - AL46</i>	1
68	E70234	O-RING FOR ROTOR CASE - EPDM	2
	<i>V70234</i>	<i>O-RING FOR ROTOR CASE - VITON</i>	2
72	AL40-SE06-SS	SEAL/MECHANICAL SEAL RING - TC	4
	<i>AL40-SE07-SS</i>	<i>SEAL/MECHANICAL SEAL RING - SC</i>	4
74	AL40-RT17-SS-2	ROTOR BI-WING (SIDE) - AL46	1
	AL40-RT17-SS-1	ROTOR BI-WING (TOP) - AL46	1
76	E70151	O-RING FOR ROTOR - EPDM	2
	<i>V70151</i>	<i>O-RING FOR ROTOR - VITON</i>	2
77	AL40-RB01-SS	ROTOR BOLT	2
78	AL40-SW01-SS	SPRING WASHER FOR ROTOR BOLT	2
79	E70228	O-RING FOR ROTOR BOLT - EPDM	2
	<i>V70228</i>	<i>O-RING FOR ROTOR BOLT - VITON</i>	2
80	AL40-FC02-SS	FRONT COVER	1
81	AL40-HN01-SS	HEX NUT/STUD BOLT LOCK	4
82	E70278	O-RING FOR FRONT COVER - EPDM	1
	<i>V70278</i>	<i>O-RING FOR FRONT COVER - VITON</i>	1
	<i>TE70278</i>	<i>O-RING FOR FRONT COVER - TEFLON ENCAP</i>	1



Pressure Relief Cover

Optional Items Shown in ITALICS

Ref #	Component Item No.	Description	Qty Per
120	GX5519190	BOLT, HEX HEAD	1
121	GX5519000	NUT, HEX HEAD	1
122	AL40-RH02-SS	RELIEF VALVE HOUSING	1
123	GX5512110	BOLT, HEX HEAD	8
124	GX5512010	LOCK WASHER	8
125	AL40-RP03-SS	ADJUSTMENT PIN, AL300/AL400	1
126	AL30-RS03-CS	SPRING, AL300/AL400	1
127	AL40-RV02-SS	VALVE HEAD, AL300/AL400	1
128	AL40-WR01-PF	WEAR RING, TEFLON, AL300/AL400	1
129	E70238	O-RING, EPDM	1
	<i>V70238</i>	<i>O-RING, VITON</i>	<i>1</i>
130	AL40-FC05-SS	FRONT COVER, VENTED	1
131	AL40-FR01-SS	FRONT COVER ASSEMBLY, VENTED	1



Lip Seal

Optional Items Shown in ITALICS

Ref #	Component Item No.	Description	Qty Per
76	<i>E70151</i>	<i>O-RING FOR ROTOR - EPDM</i>	2
	<i>V70151</i>	<i>O-RING FOR ROTOR - VITON</i>	2
103	AL00-BT01-SS	CAP SCREW FOR SEAL RETAINER	6
113	AL40-SE09-SS	SS GLAND FOR FOR PRODUCT	2
114	E70237	O-RING, DOUBLE LIP SEAL - EPDM	2
	<i>V70237</i>	<i>O-RING, DOUBLE LIP SEAL - VITON</i>	2
115	AL40-SE05-S2	DOUBLE LIP SEAL FOR PRODCUT - TEFLON	2
	<i>AL40-SE06-S2</i>	<i>TRIPLE LIP SEAL FOR PRODCUT - TEFLON</i>	2



Heating Jackets

Optional Items Shown in ITALICS

Ref #	Component Item No.	Description	Qty Per
141	AL40-FC04-SS	FRONT COVER WITH JACKET	1
142	AL40-HJ02-SS	CASE HEATING JACKET FOR BODY BOTTOM - AL44	1
	AL40-HJ01-SS	CASE HEATING JACKET FOR BODY TOP - AL44	1
143	AL40-HJ03-SS	CASE HEATING JACKET FOR TUBE ASS'Y - AL400	1



Exploded View

Optional Items Shown in ITALICS

Ref #	Component Item No.	Description	Qty Per
2	AL40-GB06-SS	GEAR BOX - SS	1
5	AL40-SF07-SS	DRIVE SHAFT - AL46	1
6	AL40-HG02-CS	HELICAL GEAR - RIGHT HAND	1
	AL40-HG01-CS	HELICAL GEAR - LEFT HAND	1
7	AL40-BS03-CS	BEARING SPACER, SLEEVE	2
	AL40-BS04-CS	BEARING SPACER	2
8	P1GX200036000	FRONT BEARING	2
9	P1GX200036000	REAR BEARING	2
10	AL40-GS01-CS	GEAR SPACER	2
11	AL40-GK01-CS	GEAR KEY	2
12	AL40-SK01-CS	SHAFT KEY	1
13	AL00-PN02-SS	SET PIN FOR DOUBLE SEAL	12
15	AL40-SF08-SS	SHORT SHAFT - AL46	1
24	AL40-GB04-SS	GEAR BOX COVER - SS	1
25	P1GX115798	HEX PLUG WITH NBR SEAL	2
26	P1GX115799	OIL LEVEL INDICATOR	2
27	AL30-PN05-SS	DOWEL FOR GEAR BOX, AL300/AL400	2
28	AL40-GB05-SS	GEAR BOX BASE - SS	1
29	AL40-LN02-CS	LOCK NUT, REAR	2
30	AL40-LW02-CS	LOCK WASHER, REAR	2
32	AL40-OS02-L1	REAR OIL SEAL - NBR	1
34	AL40-OS01-SS	OIL SEAL GLAND	2
35	N70049	O-RING FOR OIL SEAL GLAND - NBR	2
36	AL40-OS01-L1	FRONT OIL SEAL - NBR	2
37	AL40-BT01-SS	CAP SCREW FOR OIL SEAL GLAND	8
38	AL40-BT05-SS	CAP SCREW FOR GEAR BOX COVER	4
39	AL40-BT02-SS	CAP SCREW FOR GEAR BASE	4



Exploded View

Optional Items Shown in ITALICS

Ref #	Component Item No.	Description	Qty Per
40	AL40-BT04-SS	EYEBOLT	2
61	AL40-SB02-SS	CASE STUD - AL46	4
62	AL40-SP01-SS-08	SHIM - 0.008" THICKNESS - AL400 SERIES	2
	AL40-SP01-SS-04	SHIM - 0.004" THICKNESS - AL400 SERIES	2
	AL40-SP01-SS-02	SHIM - 0.002" THICKNESS - AL400 SERIES	2
63	AL40-PN04-SS	DOWEL FOR CASE	2
65	AL40-RC67-SS	ROTOR CASE - AL46	1
68	E70234	O-RING FOR ROTOR CASE - EPDM	2
	V70234	O-RING FOR ROTOR CASE - VITON	2
72	AL40-SE06-SS	SEAL/MECHANICAL SEAL RING - TC	4
	AL40-SE07-SS	SEAL/MECHANICAL SEAL RING - SC	4
74	AL40-RT17-SS-2	ROTOR BI-WING (SIDE) - AL46	1
	AL40-RT17-SS-1	ROTOR BI-WING (TOP) - AL46	1
76	E70151	O-RING FOR ROTOR - EPDM	2
	V70151	O-RING FOR ROTOR - VITON	2
77	AL40-RB01-SS	ROTOR BOLT	2
78	AL40-SW01-SS	SPRING WASHER FOR ROTOR BOLT	2
79	E70228	O-RING FOR ROTOR BOLT - EPDM	2
	V70228	O-RING FOR ROTOR BOLT - VITON	2
80	AL40-FC02-SS	FRONT COVER	1
81	AL40-HN01-SS	HEX NUT/STUD BOLT LOCK	4
82	E70278	O-RING FOR FRONT COVER - EPDM	1
	V70278	O-RING FOR FRONT COVER - VITON	1
	TE70278	O-RING FOR FRONT COVER - TEFLON ENCAP	1



Single Mechanical Seal

Optional Items Shown in ITALICS

Ref #	Component Item No.	Description	Qty Per
68	E70234	O-RING FOR ROTOR CASE - EPDM	2
	<i>V70234</i>	<i>O-RING FOR ROTOR CASE - VITON</i>	<i>2</i>
72	AL40-SE06-SS	SEAL/MECHANICAL SEAL RING - TC	4
	<i>AL40-SE07-SS</i>	<i>SEAL/MECHANICAL SEAL RING - SC</i>	<i>4</i>
76	E70151	O-RING FOR ROTOR - EPDM	2
	<i>V70151</i>	<i>O-RING FOR ROTOR - VITON</i>	<i>2</i>
101	AL40-SE01-S3	SEAL/SINGLE MECH SEAL BASE	2
103	AL00-BT01-SS	CAP SCREW FOR SEAL RETAINER	6



Double Mechanical Seal

Optional Items Shown in ITALICS

Ref #	Component Item No.	Description	Qty Per
68	E70234	O-RING FOR ROTOR CASE - EPDM	2
	<i>V70234</i>	<i>O-RING FOR ROTOR CASE - VITON</i>	<i>2</i>
72	AL40-SE06-SS	SEAL/MECHANICAL SEAL RING - TC	4
	<i>AL40-SE07-SS</i>	<i>SEAL/MECHANICAL SEAL RING - SC</i>	<i>4</i>
76	E70151	O-RING FOR ROTOR - EPDM	2
	<i>V70151</i>	<i>O-RING FOR ROTOR - VITON</i>	<i>2</i>
91	AL40-SE01-S5	DOUBLE SEAL REAR BASE - SC	2
	<i>AL40-SE01-S6</i>	<i>DOUBLE SEAL REAR BASE - TC</i>	<i>2</i>
92	E70045	O-RING FOR DOUBLE SEAL CASE - EPDM	2
	<i>V70045</i>	<i>O-RING FOR DOUBLE SEAL CASE - VITON</i>	<i>2</i>
93	AL40-SE02-S2	SEAL/FLUSHED SEAL UNIT - SC	2
	<i>AL40-SE02-S1</i>	<i>SEAL/FLUSHED SEAL UNIT - TC</i>	<i>2</i>
94	E70038	O-RING FOR DOUBLE SEAL SHAFT - EPDM	2
	<i>V70038</i>	<i>O-RING FOR DOUBLE SEAL SHAFT - VITON</i>	<i>2</i>



Pressure Relief Cover

Optional Items Shown in ITALICS

Ref #	Component Item No.	Description	Qty Per
120	GX5519190	BOLT, HEX HEAD	1
121	GX5519000	NUT, HEX HEAD	1
122	AL40-RH02-SS	RELIEF VALVE HOUSING	1
123	GX5512110	BOLT, HEX HEAD	8
124	GX5512010	LOCK WASHER	8
125	AL40-RP03-SS	ADJUSTMENT PIN, AL300/AL400	1
126	AL30-RS03-CS	SPRING, AL300/AL400	1
127	AL40-RV02-SS	VALVE HEAD, AL300/AL400	1
128	AL40-WR01-PF	WEAR RING, TEFLON, AL300/AL400	1
129	E70238	O-RING, EPDM	1
	<i>V70238</i>	<i>O-RING, VITON</i>	<i>1</i>
130	AL40-FC05-SS	FRONT COVER, VENTED	1
131	AL40-FR01-SS	FRONT COVER ASSEMBLY, VENTED	1



Single Mechanical Seal with Flush

Optional Items Shown in ITALICS

Ref #	Component Item No.	Description	Qty Per
68	E70234	O-RING FOR ROTOR CASE - EPDM	2
	<i>V70234</i>	<i>O-RING FOR ROTOR CASE - VITON</i>	<i>2</i>
72	AL40-SE06-SS	SEAL/MECHANICAL SEAL RING - TC	4
	<i>AL40-SE07-SS</i>	<i>SEAL/MECHANICAL SEAL RING - SC</i>	<i>4</i>
76	E70151	O-RING FOR ROTOR - EPDM	2
	<i>V70151</i>	<i>O-RING FOR ROTOR - VITON</i>	<i>2</i>
92	E70045	O-RING FOR DOUBLE SEAL CASE - EPDM	2
	<i>V70045</i>	<i>O-RING FOR DOUBLE SEAL CASE - VITON</i>	<i>2</i>
94	E70038	O-RING FOR DOUBLE SEAL SHAFT - EPDM	2
	<i>V70038</i>	<i>O-RING FOR DOUBLE SEAL SHAFT - VITON</i>	<i>2</i>
101	AL40-SE01-S3	SEAL/SINGLE MECH SEAL BASE	2
103	AL00-BT01-SS	CAP SCREW FOR SEAL RETAINER	6
104	AL40-FL02-CE	CERMAIC SLEEVE FOR FLUSHING	2
105	AL40-FL03-SS	SS GLAND FOR FLUSHING	2
107	E70043	O-RING FOR FLUSHED LIP - EPDM	2
	<i>V70043</i>	<i>O-RING FOR FLUSHED LIP - VITON</i>	<i>2</i>
108	AL40-FL01-PF	PTFE - LIP SEAL FOR FLUSHING	2



Heating Jackets

Optional Items Shown in ITALICS

Ref #	Component Item No.	Description	Qty Per
141	AL40-FC04-SS	FRONT COVER WITH JACKET	1
142	AL40-HJ02-SS	CASE HEATING JACKET FOR BODY BOTTOM - AL44	1
	AL40-HJ01-SS	CASE HEATING JACKET FOR BODY TOP - AL44	1
143	AL40-HJ03-SS	CASE HEATING JACKET FOR TUBE ASS'Y - AL400	1



Exploded View

Optional Items Shown in ITALICS

Ref #	Component Item No.	Description	Qty Per
2	AL40-GB06-SS	GEAR BOX - SS	1
5	AL40-SF07-SS	DRIVE SHAFT - AL46	1
6	AL40-HG01-CS	HELICAL GEAR - LEFT HAND	1
	AL40-HG02-CS	HELICAL GEAR - RIGHT HAND	1
7	AL40-BS04-CS	BEARING SPACER	2
	AL40-BS03-CS	BEARING SPACER, SLEEVE	2
8	P1GX200036000	FRONT BEARING	2
9	P1GX200036000	REAR BEARING	2
10	AL40-GS01-CS	GEAR SPACER	2
11	AL40-GK01-CS	GEAR KEY	2
12	AL40-SK01-CS	SHAFT KEY	1
13	AL00-PN02-SS	SET PIN FOR DOUBLE SEAL	12
15	AL40-SF08-SS	SHORT SHAFT - AL46	1
24	AL40-GB04-SS	GEAR BOX COVER - SS	1
25	P1GX115798	HEX PLUG WITH NBR SEAL	2
26	P1GX115799	OIL LEVEL INDICATOR	2
27	AL30-PN05-SS	DOWEL FOR GEAR BOX, AL300/AL400	2
28	AL40-GB05-SS	GEAR BOX BASE - SS	1
29	AL40-LN02-CS	LOCK NUT, REAR	2
30	AL40-LW02-CS	LOCK WASHER, REAR	2
32	AL40-OS02-L1	REAR OIL SEAL - NBR	1
34	AL40-OS01-SS	OIL SEAL GLAND	2
35	N70049	O-RING FOR OIL SEAL GLAND - NBR	2
36	AL40-OS01-L1	FRONT OIL SEAL - NBR	2
37	AL40-BT01-SS	CAP SCREW FOR OIL SEAL GLAND	8
38	AL40-BT05-SS	CAP SCREW FOR GEAR BOX COVER	4
39	AL40-BT02-SS	CAP SCREW FOR GEAR BASE	4



Exploded View

Optional Items Shown in ITALICS

Ref #	Component Item No.	Description	Qty Per
40	AL40-BT04-SS	EYEBOLT	2
61	AL40-SB02-SS	CASE STUD - AL46	4
62	AL40-SP01-SS-08	SHIM - 0.008" THICKNESS - AL400 SERIES	2
	AL40-SP01-SS-02	SHIM - 0.002" THICKNESS - AL400 SERIES	2
	AL40-SP01-SS-04	SHIM - 0.004" THICKNESS - AL400 SERIES	2
63	AL40-PN04-SS	DOWEL FOR CASE	2
65	<i>AL40-RC67-SS</i>	<i>ROTOR CASE - AL46</i>	1
68	E70234	O-RING FOR ROTOR CASE - EPDM	2
	<i>V70234</i>	<i>O-RING FOR ROTOR CASE - VITON</i>	2
72	AL40-SE06-SS	SEAL/MECHANICAL SEAL RING - TC	4
	<i>AL40-SE07-SS</i>	<i>SEAL/MECHANICAL SEAL RING - SC</i>	4
74	AL40-RT17-SS-2	ROTOR BI-WING (SIDE) - AL46	1
	AL40-RT17-SS-1	ROTOR BI-WING (TOP) - AL46	1
76	E70151	O-RING FOR ROTOR - EPDM	2
	<i>V70151</i>	<i>O-RING FOR ROTOR - VITON</i>	2
77	AL40-RB01-SS	ROTOR BOLT	2
78	AL40-SW01-SS	SPRING WASHER FOR ROTOR BOLT	2
79	E70228	O-RING FOR ROTOR BOLT - EPDM	2
	<i>V70228</i>	<i>O-RING FOR ROTOR BOLT - VITON</i>	2
80	AL40-FC02-SS	FRONT COVER	1
81	AL40-HN01-SS	HEX NUT/STUD BOLT LOCK	4
82	E70278	O-RING FOR FRONT COVER - EPDM	1
	<i>V70278</i>	<i>O-RING FOR FRONT COVER - VITON</i>	1
	<i>TE70278</i>	<i>O-RING FOR FRONT COVER - TEFLON ENCAP</i>	1



Single O-Ring Seal

Optional Items Shown in ITALICS

Ref #	Component Item No.	Description	Qty Per
68	E70234	O-RING FOR ROTOR CASE - EPDM	2
	<i>V70234</i>	<i>O-RING FOR ROTOR CASE - VITON</i>	<i>2</i>
76	E70151	O-RING FOR ROTOR - EPDM	2
	<i>V70151</i>	<i>O-RING FOR ROTOR - VITON</i>	<i>2</i>
112	<i>AL40-SE08-SS-O</i>	<i>SLEEVE, STAINLESS STEEL</i>	<i>2</i>
	<i>AL40-SE08-C-O</i>	<i>SLEEVE, CERAMIC</i>	<i>2</i>



Double O-Ring Seal

Optional Items Shown in ITALICS

Ref #	Component Item No.	Description	Qty Per
68	E70234	O-RING FOR ROTOR CASE - EPDM	2
	<i>V70234</i>	<i>O-RING FOR ROTOR CASE - VITON</i>	<i>2</i>
76	E70151	O-RING FOR ROTOR - EPDM	2
	<i>V70151</i>	<i>O-RING FOR ROTOR - VITON</i>	<i>2</i>
92	E70045	O-RING FOR DOUBLE SEAL CASE - EPDM	2
	<i>V70045</i>	<i>O-RING FOR DOUBLE SEAL CASE - VITON</i>	<i>2</i>
102	AL00-WS01-SS	DIN M6 FENDER WASHER	6
103	AL00-BT01-SS	CAP SCREW FOR SEAL RETAINER	6
112	<i>AL40-SE08-SS-O</i>	<i>SLEEVE, STAINLESS STEEL</i>	<i>2</i>
	<i>AL40-SE08-C-O</i>	<i>SLEEVE, CERAMIC</i>	<i>2</i>



Pressure Relief Cover

Optional Items Shown in ITALICS

Ref #	Component Item No.	Description	Qty Per
120	GX5519190	BOLT, HEX HEAD	1
121	GX5519000	NUT, HEX HEAD	1
122	AL40-RH02-SS	RELIEF VALVE HOUSING	1
123	GX5512110	BOLT, HEX HEAD	8
124	GX5512010	LOCK WASHER	8
125	AL40-RP03-SS	ADJUSTMENT PIN, AL300/AL400	1
126	AL30-RS03-CS	SPRING, AL300/AL400	1
127	AL40-RV02-SS	VALVE HEAD, AL300/AL400	1
128	AL40-WR01-PF	WEAR RING, TEFLON, AL300/AL400	1
129	E70238	O-RING, EPDM	1
	<i>V70238</i>	<i>O-RING, VITON</i>	<i>1</i>
130	AL40-FC05-SS	FRONT COVER, VENTED	1
131	AL40-FR01-SS	FRONT COVER ASSEMBLY, VENTED	1



Heating Jackets

Optional Items Shown in ITALICS

Ref #	Component Item No.	Description	Qty Per
141	AL40-FC04-SS	FRONT COVER WITH JACKET	1
142	AL40-HJ01-SS	CASE HEATING JACKET FOR BODY TOP - AL44	1
	AL40-HJ02-SS	CASE HEATING JACKET FOR BODY BOTTOM - AL44	1
143	AL40-HJ03-SS	CASE HEATING JACKET FOR TUBE ASS'Y - AL400	1