

ELECTRONIC PRICING CATALOG NAVIGATION INSTRUCTIONS



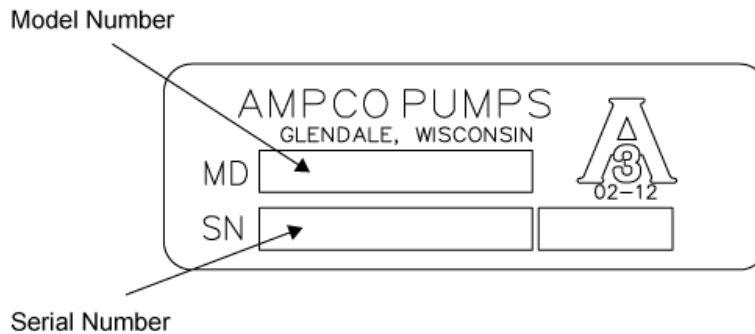
Questions? Call **1-800-810-1053**

Select by Pump Model:

If you know what pump you are looking for, you can use the 'Bookmarks' tab on the left and select the pump model which you are trying to access. Clicking in the Bookmark will take you to the page you are looking for.

If there are no tabs on the left (bookmarks, signatures, layers, pages), you can use the top menu to make them appear. Goto VIEW > SHOW/HIDE > NAVIGATION PANES > BOOKMARKS and they will appear.

Sample Pump ID Tag: See the illustration below for help identifying the location of the Model number and Serial number on the pump ID tag.



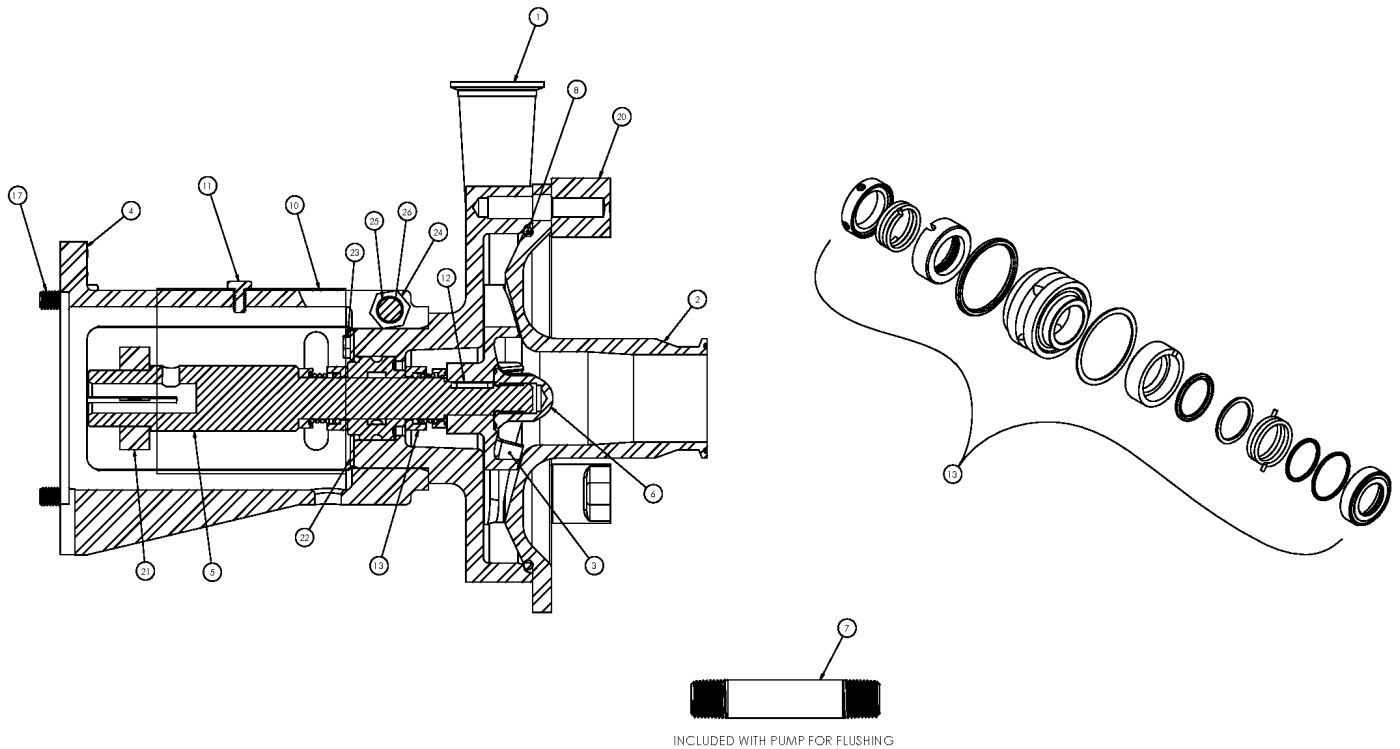
Please reference your serial number when ordering replacement parts.

Select by Part Number:

If you know an exact part number you are looking for, simply hit CONTROL+F and that will bring up the find feature. You may also use the menu, goto EDIT > FIND to bring up the same feature.

Type in your part number and it will show you all instances of that item in the catalog. If you only know some of the part number (i.e. SP328), that will also help and show all occurrences of those numbers together.

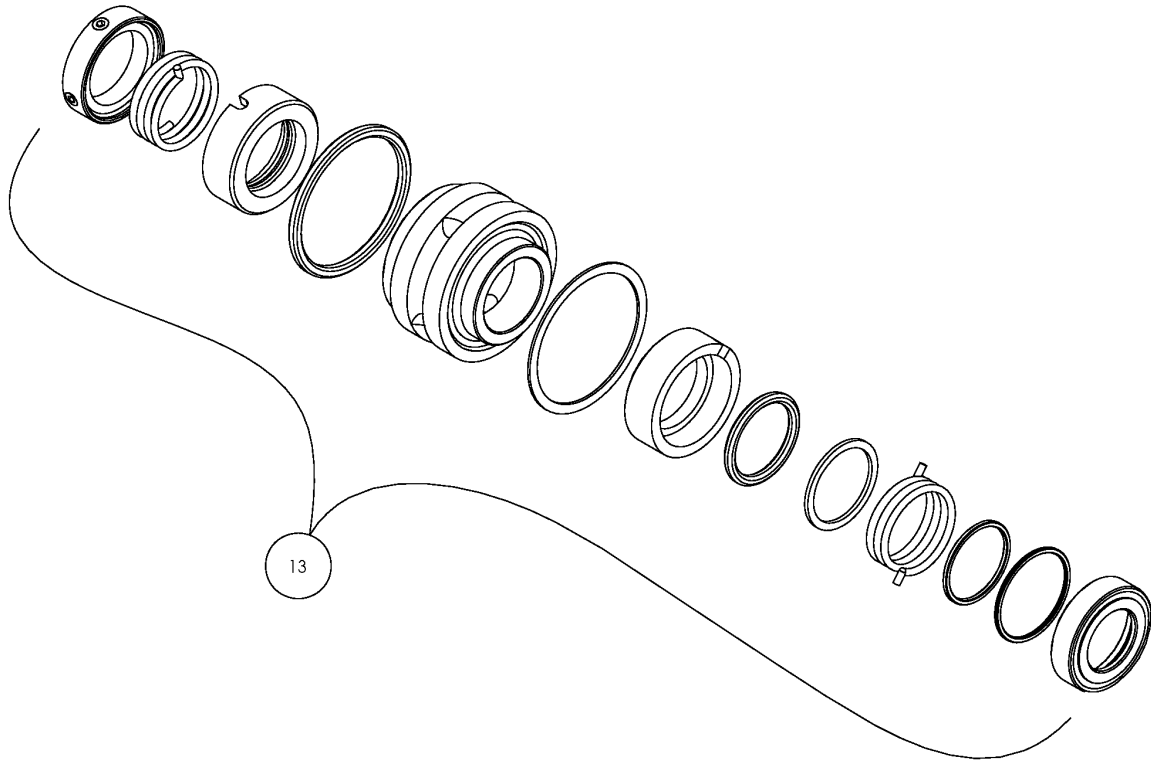
Be advised that partials of part number can return a large amount of results.



Exploded View

Optional Items Shown in ITALICS

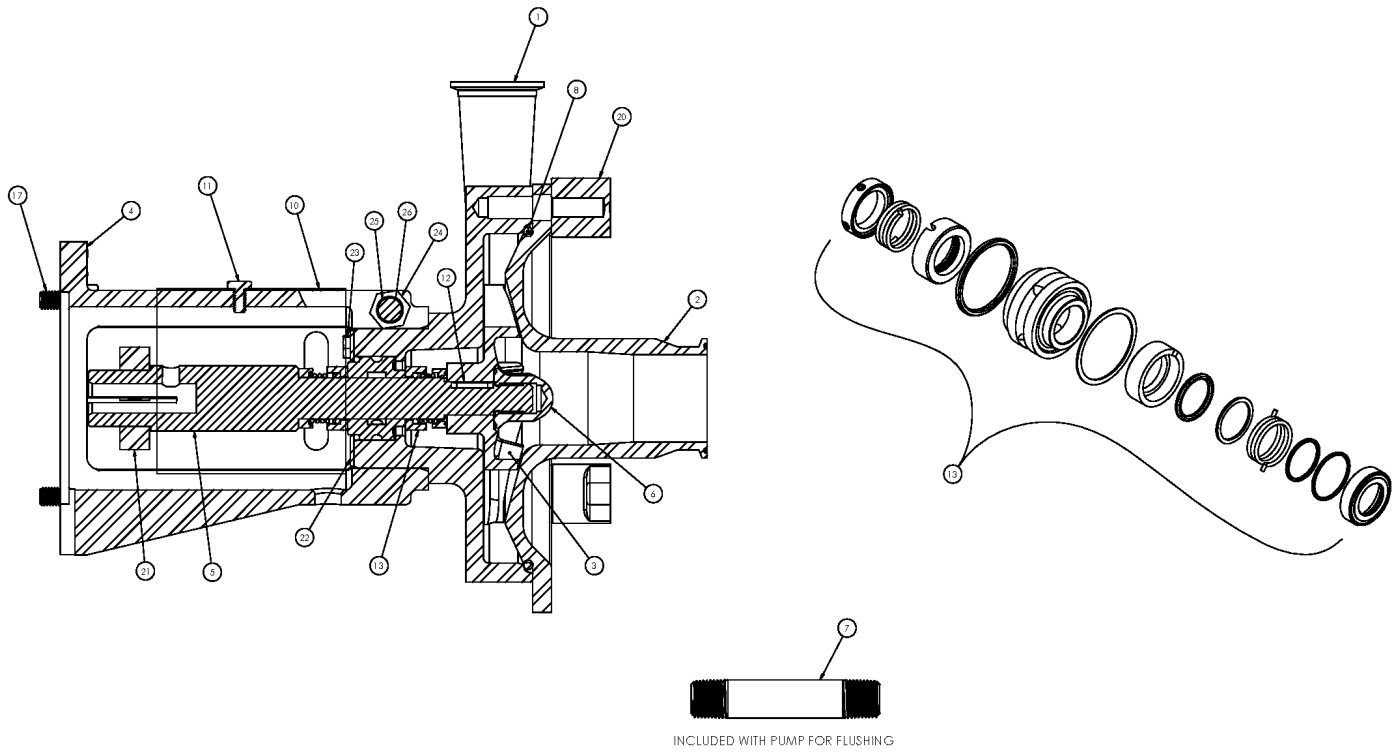
Ref #	Component Item No.	Description	Qty Per
1	SV04610000	CASING,56C/210TC,1-1/2 CLMP LC R00	1
2	SC04620109	COVER,R00,1-1/2 CLAMP L SERIES	1
	<i>SC04620279</i>	<i>COVER,R00,2 CLAMP L SERIES</i>	<i>1</i>
3	SI04630037	IMPELLER,R00,99/18,99MAX LC/LD	1
4	SX10600287	ADAPTER,56C-140TC FRAME LD	1
5	SX21000116	STUBSHAFT,56C,5/8 W/KEYWAY LD	1
6	SI54000000	NUT,633,IMP,56C-210TC LC	1
7	SX10000007	NIPPLE,H20 FLUSH,1/8X2,304SS LD	2
8	GX80000331	GASKET,R00,CVR, BUNA LC	1
	<i>GX80000060</i>	<i>GASKET,R00,CVR,EPDM LC</i>	<i>1</i>
	<i>GX80000353</i>	<i>GASKET,R00,CVR,VIT LC</i>	<i>1</i>
10	SX10614287	GUARD,SHAFT,ADPT,56-210TC,BOLT LDR/LDV	1
11	GX48104020	CAPSCRW,HX,1/4-28X3/8,18-8SS HX HD	1
12	SX15000002	KEY,56-280TSC LC	1
13	GS2600000-SC	KIT,633,DBL SEAL,C/N/CE/V LD	1
	<i>GS2600006</i>	<i>KIT,633,DBL SEAL,C/C/C/V LD</i>	<i>1</i>
	<i>GS2600140</i>	<i>KIT,633,DBL SEAL,FR/C/CE/V LD</i>	<i>1</i>
17	GX5077100	CAPSCRW,HX,3/8-16X1,18-8SS HX HD	4
20	SX03000020	NUT,WING LC SERIES	2
21	SX18000013	COLLAR,56C/140TC,SHAFT L SEE ITEM NOTES	1
22	SX48000021	RING,RETAINING,633 SEAL	1
23	GX48104020	CAPSCRW,HX,1/4-28X3/8,18-8SS HX HD	4
24	GX10610105	NUT,HEX,1/2-13,18-8SS L SERIES	1
25	GX10610100	CAPSCRW,HX,1/2-13X3-1/2,18-8SS HX HD	1
26	GX10610405	WASHER,LCK,1/2,18-8SS L SERIES	1



Exploded View - Seal Only

Optional Items Shown in ITALICS

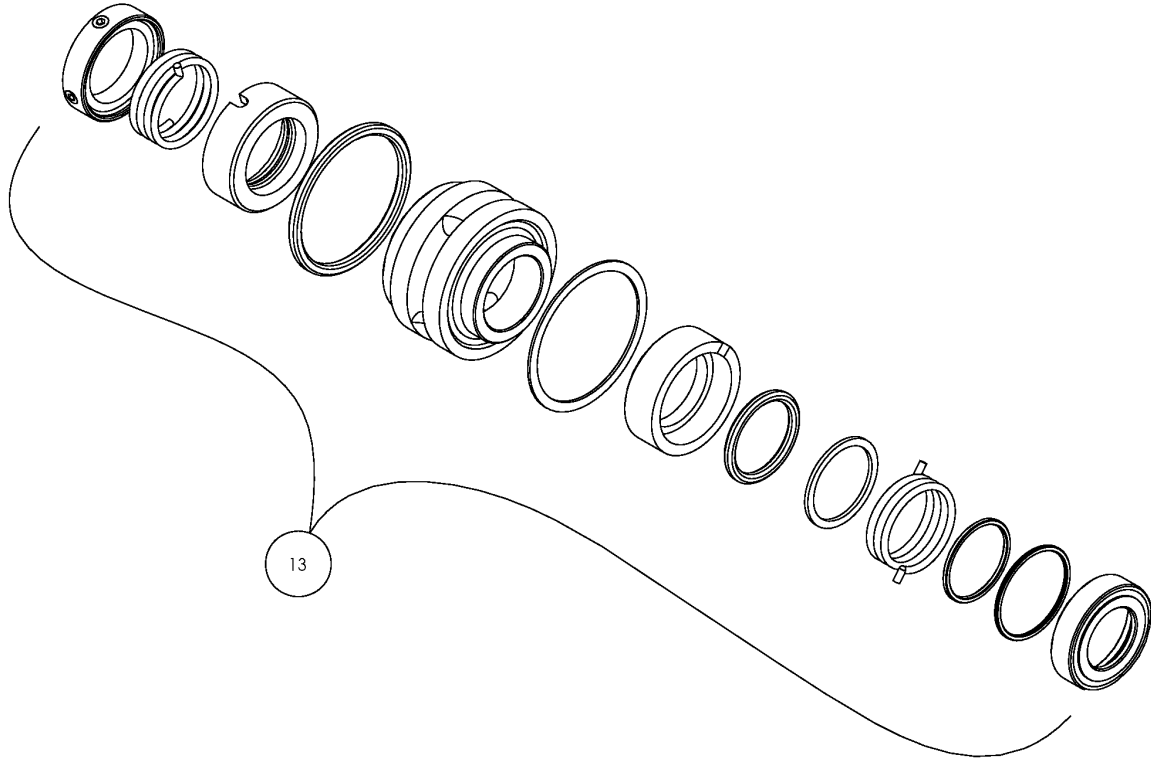
Ref #	Component Item No.	Description	Qty Per
13	GS2600000-SC	KIT,633,DBL SEAL,C/N/CE/V LD	1
	<i>GS2600006</i>	<i>KIT,633,DBL SEAL,C/C/C/V LD</i>	<i>1</i>
	<i>GS2600140</i>	<i>KIT,633,DBL SEAL,FR/C/CE/V LD</i>	<i>1</i>



Exploded View

Optional Items Shown in ITALICS

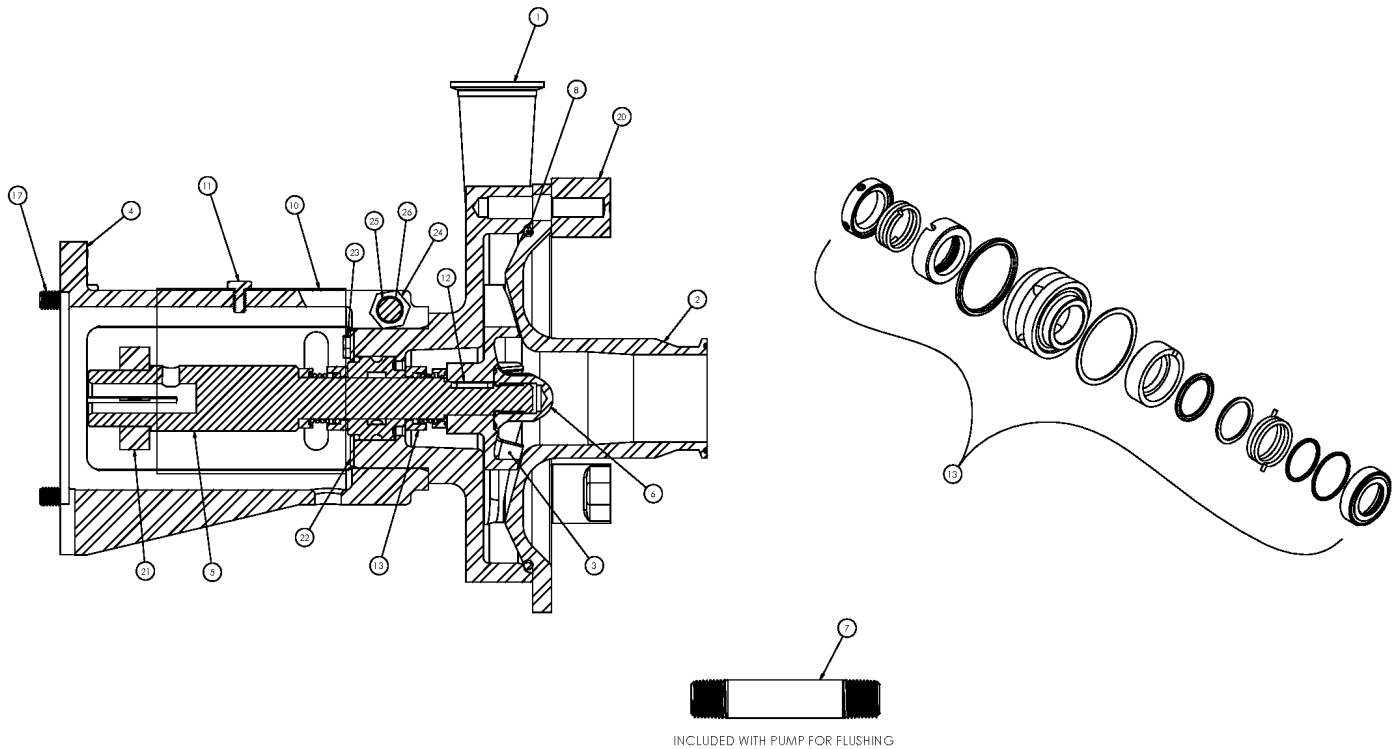
Ref #	Component Item No.	Description	Qty Per
1	SV04610000	CASING,56C/210TC,1-1/2 CLMP LC R00	1
2	SC04620109	COVER,R00,1-1/2 CLAMP L SERIES	1
	<i>SC04620279</i>	<i>COVER,R00,2 CLAMP L SERIES</i>	<i>1</i>
3	SI04630037	IMPELLER,R00,99/18,99MAX LC/LD	1
4	SX10600287	ADAPTER,56C-140TC FRAME LD	1
5	SX21000117	STUBSHAFT,140TC,7/8 W/KEY LD	1
6	SI54000000	NUT,633,IMP,56C-210TC LC	1
7	SX10000007	NIPPLE,H20 FLUSH,1/8X2,304SS LD	2
8	GX80000331	GASKET,R00,CVR, BUNA LC	1
	<i>GX80000060</i>	<i>GASKET,R00,CVR,EPDM LC</i>	<i>1</i>
	<i>GX80000353</i>	<i>GASKET,R00,CVR,VIT LC</i>	<i>1</i>
10	SX10614287	GUARD,SHAFT,ADPT,56-210TC,BOLT LDR/LDV	1
11	GX48104020	CAPSCRW,HX,1/4-28X3/8,18-8SS HX HD	1
12	SX15000002	KEY,56-280TSC LC	1
13	GS2600000-SC	KIT,633,DBL SEAL,C/N/CE/V LD	1
	<i>GS2600006</i>	<i>KIT,633,DBL SEAL,C/C/C/V LD</i>	<i>1</i>
	<i>GS2600140</i>	<i>KIT,633,DBL SEAL,FR/C/CE/V LD</i>	<i>1</i>
17	GX5077100	CAPSCRW,HX,3/8-16X1,18-8SS HX HD	4
20	SX03000020	NUT,WING LC SERIES	2
21	SX18000013	COLLAR,56C/140TC,SHAFT L SEE ITEM NOTES	1
22	SX48000021	RING,RETAINING,633 SEAL	1
23	GX48104020	CAPSCRW,HX,1/4-28X3/8,18-8SS HX HD	4
24	GX10610105	NUT,HEX,1/2-13,18-8SS L SERIES	1
25	GX10610100	CAPSCRW,HX,1/2-13X3-1/2,18-8SS HX HD	1
26	GX10610405	WASHER,LCK,1/2,18-8SS L SERIES	1



Exploded View - Seal Only

Optional Items Shown in ITALICS

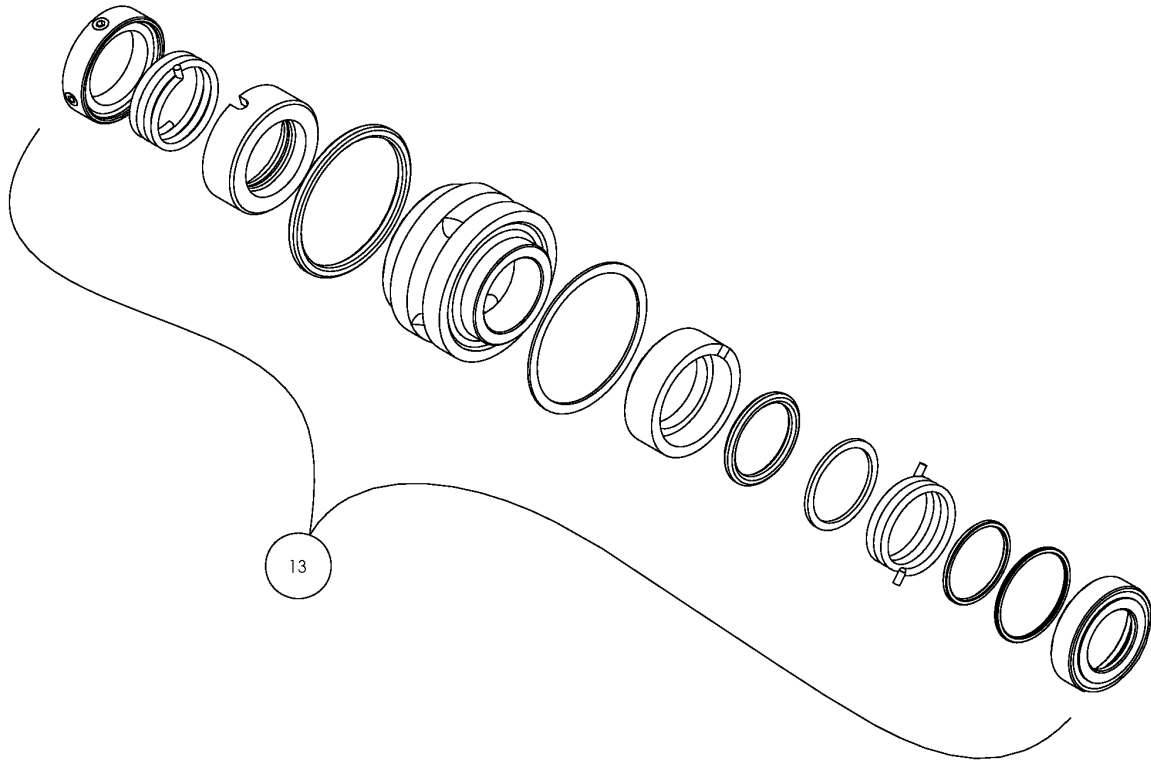
Ref #	Component Item No.	Description	Qty Per
13	GS2600000-SC	KIT,633,DBL SEAL,C/N/CE/V LD	1
	<i>GS2600006</i>	<i>KIT,633,DBL SEAL,C/C/C/V LD</i>	<i>1</i>
	<i>GS2600140</i>	<i>KIT,633,DBL SEAL,FR/C/CE/V LD</i>	<i>1</i>



Exploded View

Optional Items Shown in ITALICS

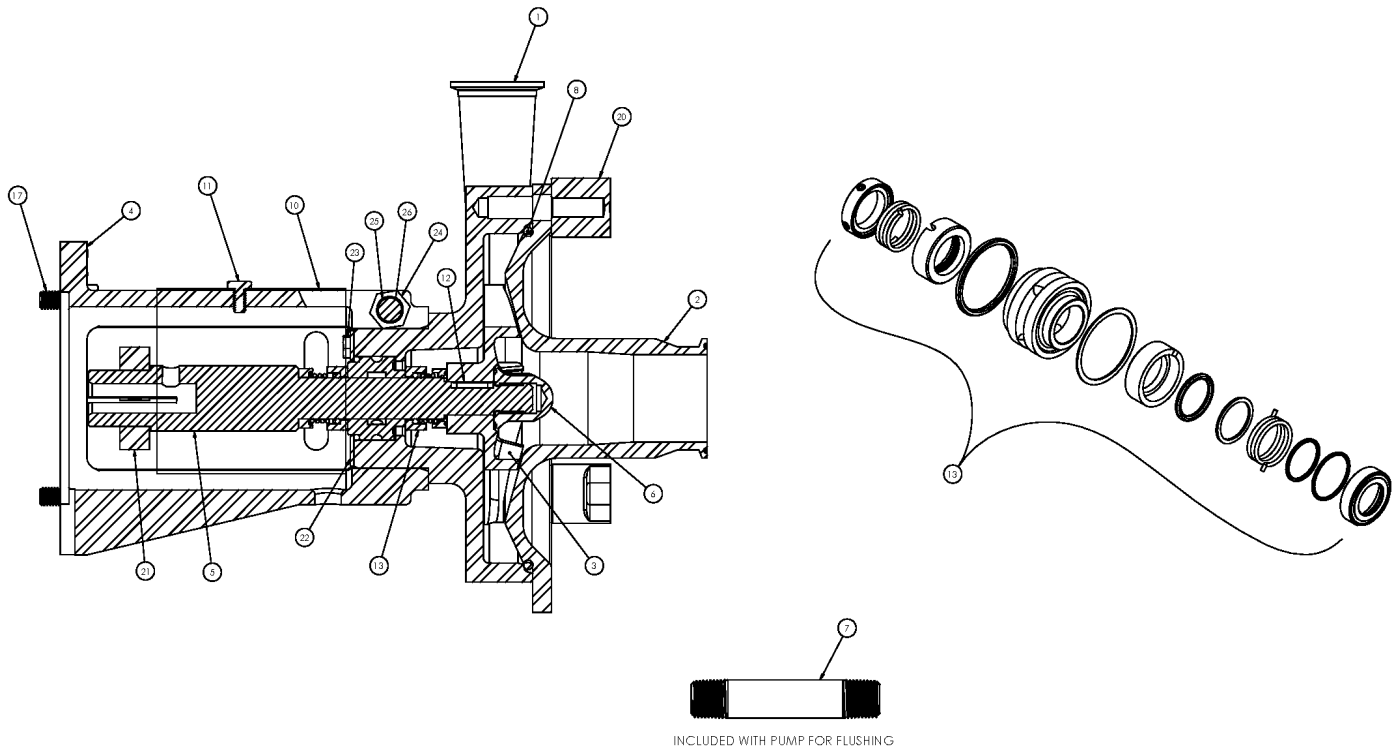
Ref #	Component Item No.	Description	Qty Per
1	SV14610000	CASING,56C-210TC,1-1/2 CLMP LC R10	1
2	SC14620258	COVER,R10,2 CLAMP L SERIES	1
	<i>SC14620421</i>	<i>COVER,R10,2-1/2 CLAMP L SERIES</i>	<i>1</i>
3	SI14630047	IMPELLER,R10,130/18,130MAX LC/LD	1
4	SX10600287	ADAPTER,56C-140TC FRAME LD	1
5	SX21000117	STUBSHAFT,140TC,7/8 W/KEY LD	1
6	SI54000000	NUT,633,IMP,56C-210TC LC	1
7	SX10000007	NIPPLE,H20 FLUSH,1/8X2,304SS LD	2
8	GX80000332	GASKET,R10,CVR,BUNA LC	1
	<i>GX80000357</i>	<i>GASKET,R10,CVR,EPDM LC</i>	<i>1</i>
	<i>GX80000017</i>	<i>GASKET,R10,CVR,VIT LC</i>	<i>1</i>
10	SX10614287	GUARD,SHAFT,ADPT,56-210TC,BOLT LDR/LDV	1
11	GX48104020	CAPSCRW,HX,1/4-28X3/8,18-8SS HX HD	1
12	SX15000002	KEY,56-280TSC LC	1
13	GS2600000-SC	KIT,633,DBL SEAL,C/N/CE/V LD	1
	<i>GS2600006</i>	<i>KIT,633,DBL SEAL,C/C/C/V LD</i>	<i>1</i>
	<i>GS2600140</i>	<i>KIT,633,DBL SEAL,FR/C/CE/V LD</i>	<i>1</i>
17	GX5077100	CAPSCRW,HX,3/8-16X1,18-8SS HX HD	4
20	SX03000020	NUT,WING LC SERIES	2
21	SX18000013	COLLAR,56C/140TC,SHAFT L SEE ITEM NOTES	1
22	SX48000021	RING,RETAINING,633 SEAL	1
23	GX48104020	CAPSCRW,HX,1/4-28X3/8,18-8SS HX HD	4
24	GX10610105	NUT,HEX,1/2-13,18-8SS L SERIES	1
25	GX10610100	CAPSCRW,HX,1/2-13X3-1/2,18-8SS HX HD	1
26	GX10610405	WASHER,LCK,1/2,18-8SS L SERIES	1



Exploded View - Seal Only

Optional Items Shown in ITALICS

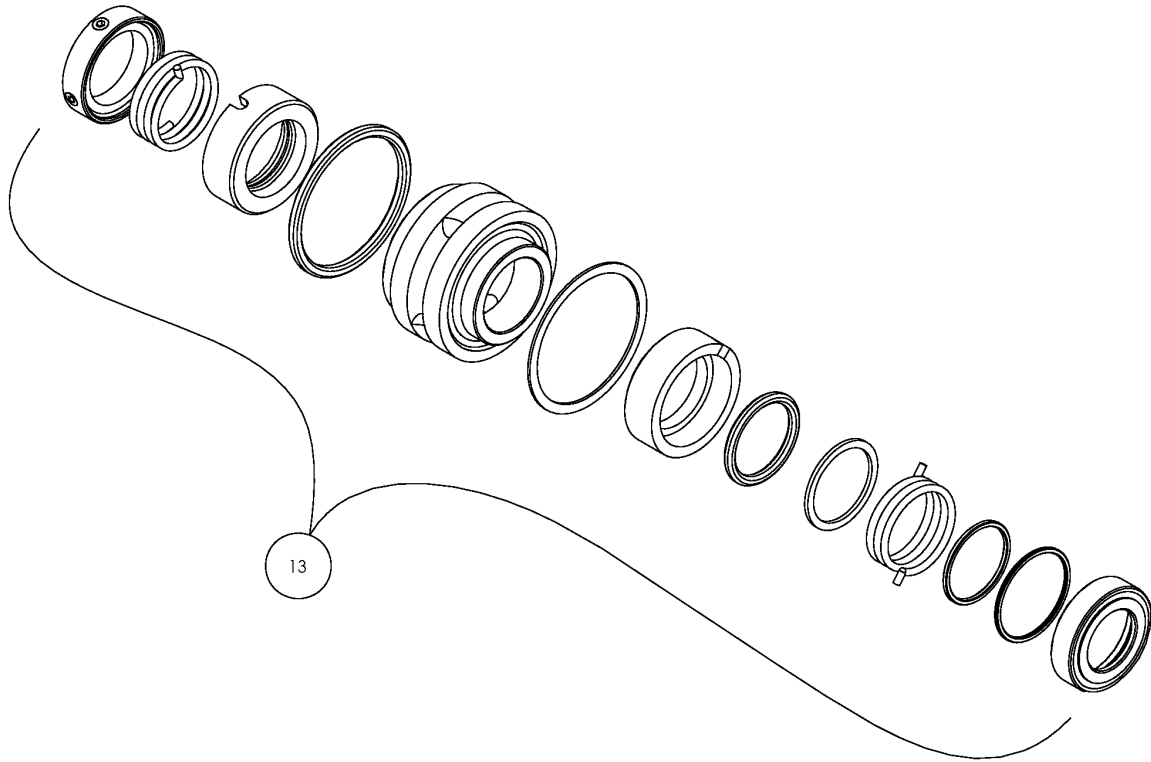
Ref #	Component Item No.	Description	Qty Per
13	GS2600000-SC	KIT,633,DBL SEAL,C/N/CE/V LD	1
	<i>GS2600006</i>	<i>KIT,633,DBL SEAL,C/C/C/V LD</i>	<i>1</i>
	<i>GS2600140</i>	<i>KIT,633,DBL SEAL,FR/C/CE/V LD</i>	<i>1</i>



Exploded View

Optional Items Shown in ITALICS

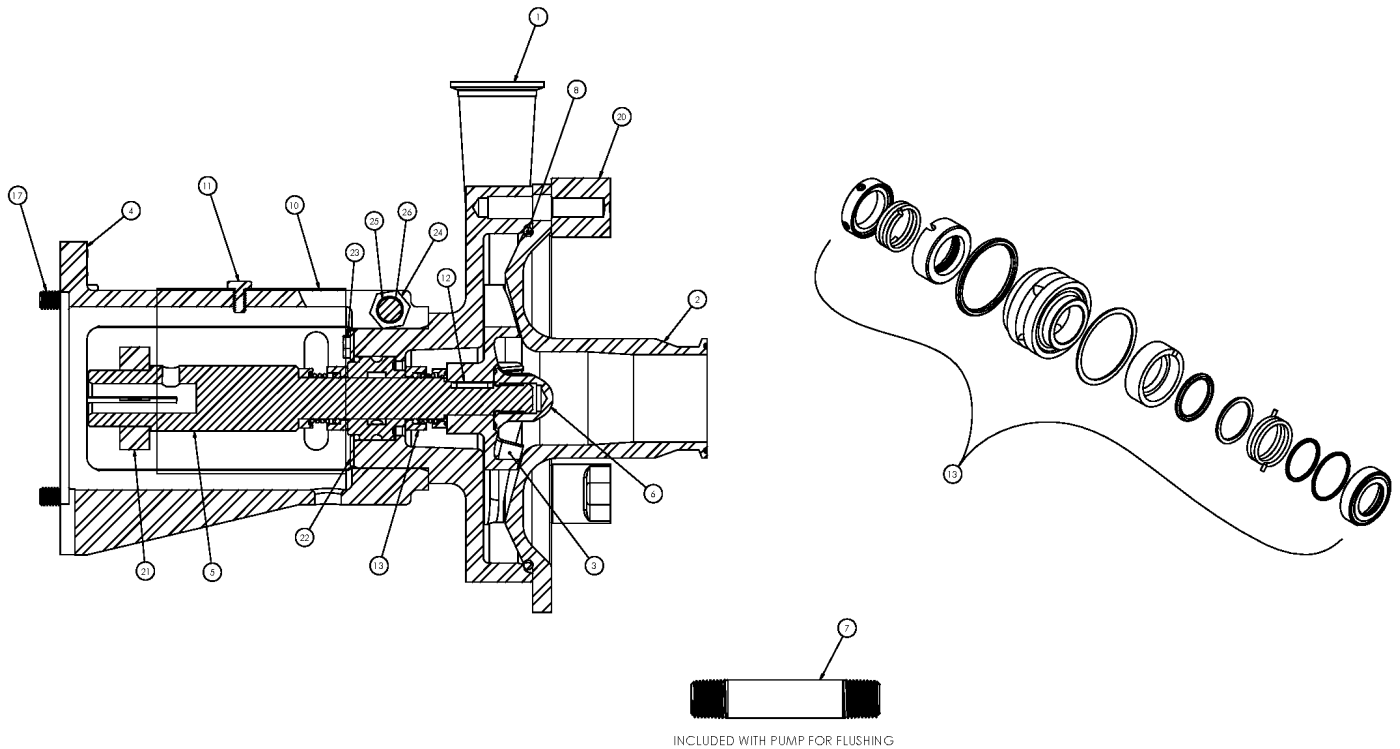
Ref #	Component Item No.	Description	Qty Per
1	SV14610000	CASING,56C-210TC,1-1/2 CLMP LC R10	1
2	SC14620258	COVER,R10,2 CLAMP L SERIES	1
	<i>SC14620421</i>	<i>COVER,R10,2-1/2 CLAMP L SERIES</i>	<i>1</i>
3	SI14630047	IMPELLER,R10,130/18,130MAX LC/LD	1
4	SX10600207	ADAPTER,180-210TC FRAME LD	1
5	SX21000118	STUBSHAFT,180TC,1-1/8 W/KEY LD	1
6	SI54000000	NUT,633,IMP,56C-210TC LC	1
7	SX10000007	NIPPLE,H20 FLUSH,1/8X2,304SS LD	2
8	GX80000332	GASKET,R10,CVR,BUNA LC	1
	<i>GX80000357</i>	<i>GASKET,R10,CVR,EPDM LC</i>	<i>1</i>
	<i>GX80000017</i>	<i>GASKET,R10,CVR,VIT LC</i>	<i>1</i>
10	SX10614287	GUARD,SHAFT,ADPT,56-210TC,BOLT LDR/LDV	1
11	GX48104020	CAPSCRW,HX,1/4-28X3/8,18-8SS HX HD	1
12	SX15000002	KEY,56-280TSC LC	1
13	GS2600000-SC	KIT,633,DBL SEAL,C/N/CE/V LD	1
	<i>GS2600006</i>	<i>KIT,633,DBL SEAL,C/C/C/V LD</i>	<i>1</i>
	<i>GS2600140</i>	<i>KIT,633,DBL SEAL,FR/C/CE/V LD</i>	<i>1</i>
17	SC1710H-SS	CAPSCRW,HX,1/2-13X1,18-8SS HX HD	4
20	SX03000020	NUT,WING LC SERIES	2
21	SX18000014	COLLAR,180TC,SHAFT LC	1
22	SX48000021	RING,RETAINING,633 SEAL	1
23	GX48104020	CAPSCRW,HX,1/4-28X3/8,18-8SS HX HD	4
24	GX10610105	NUT,HEX,1/2-13,18-8SS L SERIES	1
25	GX10610100	CAPSCRW,HX,1/2-13X3-1/2,18-8SS HX HD	1
26	GX10610405	WASHER,LCK,1/2,18-8SS L SERIES	1



Exploded View - Seal Only

Optional Items Shown in ITALICS

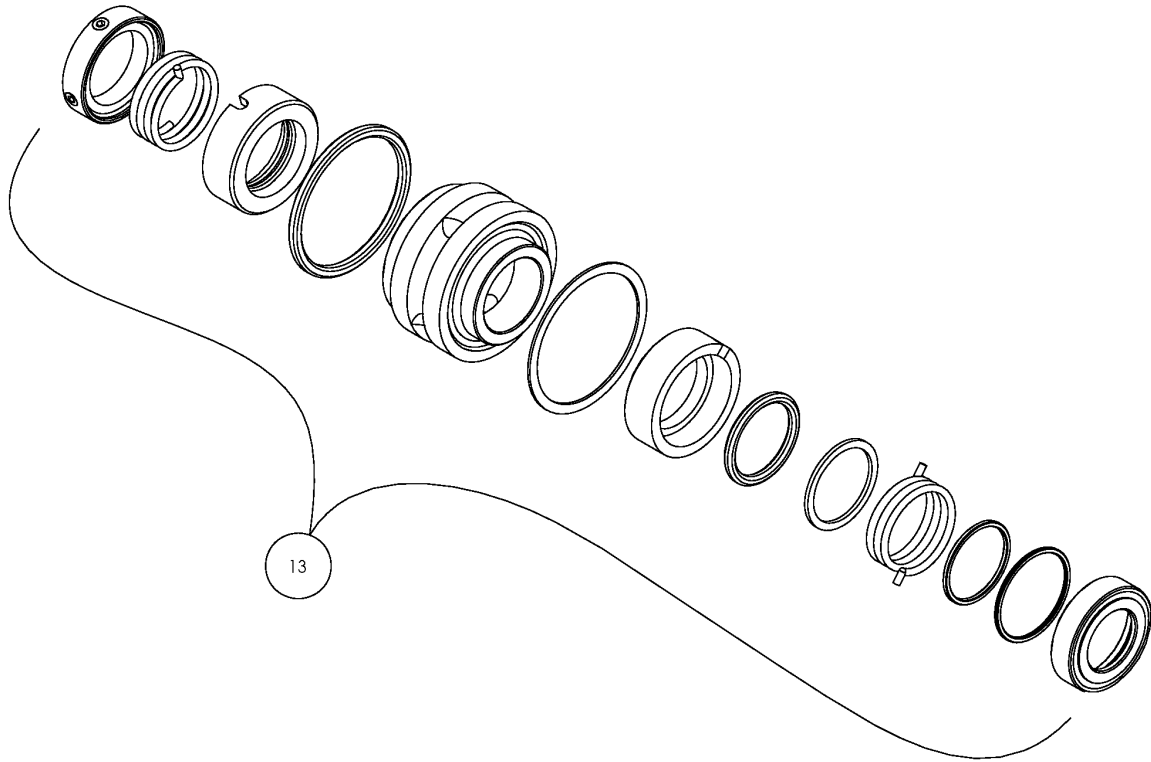
Ref #	Component Item No.	Description	Qty Per
13	GS2600000-SC	KIT,633,DBL SEAL,C/N/CE/V LD	1
	<i>GS2600006</i>	<i>KIT,633,DBL SEAL,C/C/C/V LD</i>	<i>1</i>
	<i>GS2600140</i>	<i>KIT,633,DBL SEAL,FR/C/CE/V LD</i>	<i>1</i>



Exploded View

Optional Items Shown in ITALICS

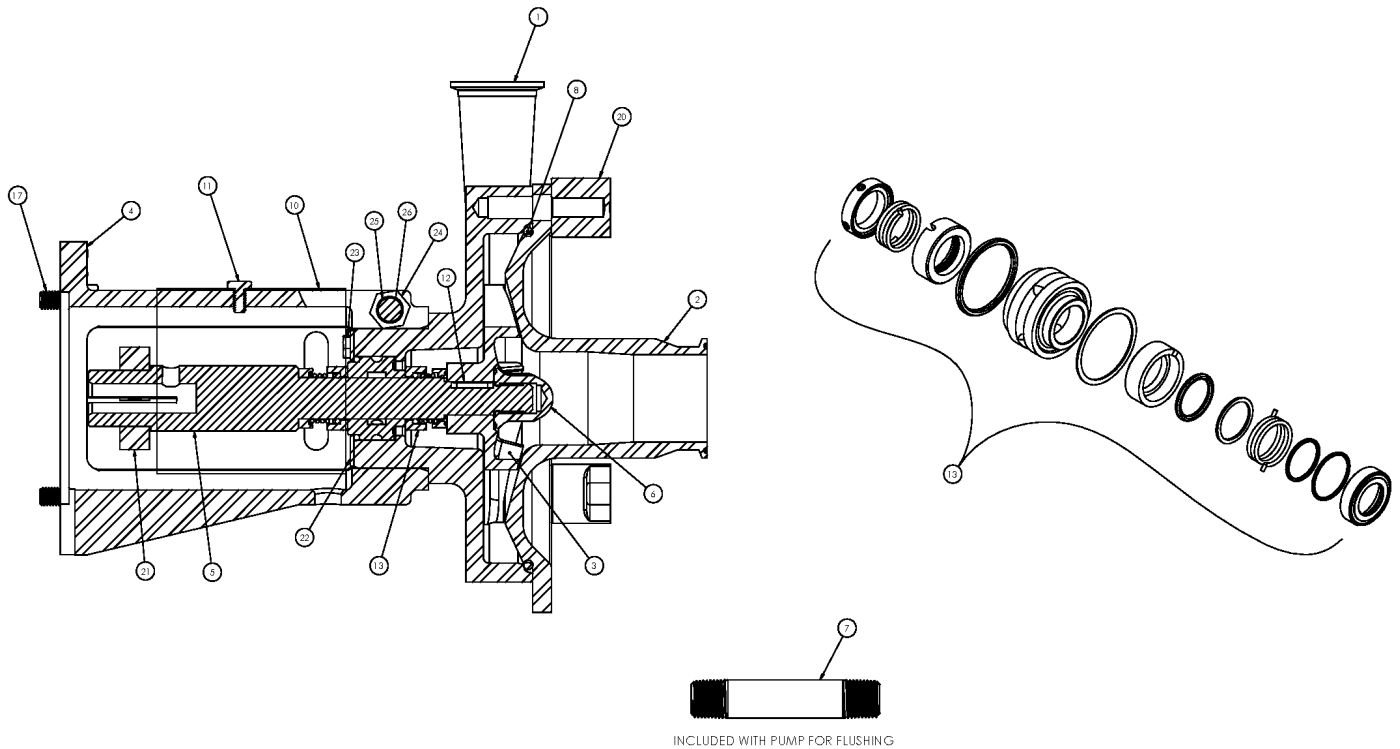
Ref #	Component Item No.	Description	Qty Per
1	SV14610000	CASING,56C-210TC,1-1/2 CLMP LC R10	1
2	SC14620258	COVER,R10,2 CLAMP L SERIES	1
	<i>SC14620421</i>	<i>COVER,R10,2-1/2 CLAMP L SERIES</i>	<i>1</i>
3	SI14630047	IMPELLER,R10,130/18,130MAX LC/LD	1
4	SX10600207	ADAPTER,180-210TC FRAME LD	1
5	SX21000119	STUBSHAFT,210TC,1-3/8 W/KEY LD	1
6	SI54000000	NUT,633,IMP,56C-210TC LC	1
7	SX10000007	NIPPLE,H20 FLUSH,1/8X2,304SS LD	2
8	GX80000332	GASKET,R10,CVR,BUNA LC	1
	<i>GX80000357</i>	<i>GASKET,R10,CVR,EPDM LC</i>	<i>1</i>
	<i>GX80000017</i>	<i>GASKET,R10,CVR,VIT LC</i>	<i>1</i>
10	SX10614287	GUARD,SHAFT,ADPT,56-210TC,BOLT LDR/LDV	1
11	GX48104020	CAPSCRW,HX,1/4-28X3/8,18-8SS HX HD	1
12	SX15000002	KEY,56-280TSC LC	1
13	GS2600000-SC	KIT,633,DBL SEAL,C/N/CE/V LD	1
	<i>GS2600006</i>	<i>KIT,633,DBL SEAL,C/C/C/V LD</i>	<i>1</i>
	<i>GS2600140</i>	<i>KIT,633,DBL SEAL,FR/C/CE/V LD</i>	<i>1</i>
17	SC1710H-SS	CAPSCRW,HX,1/2-13X1,18-8SS HX HD	4
20	SX03000020	NUT,WING LC SERIES	2
21	SX18000015	COLLAR,210TC,SHAFT LC	1
22	SX48000021	RING,RETAINING,633 SEAL	1
23	GX48104020	CAPSCRW,HX,1/4-28X3/8,18-8SS HX HD	4
24	GX10610105	NUT,HEX,1/2-13,18-8SS L SERIES	1
25	GX10610100	CAPSCRW,HX,1/2-13X3-1/2,18-8SS HX HD	1
26	GX10610405	WASHER,LCK,1/2,18-8SS L SERIES	1



Exploded View - Seal Only

Optional Items Shown in ITALICS

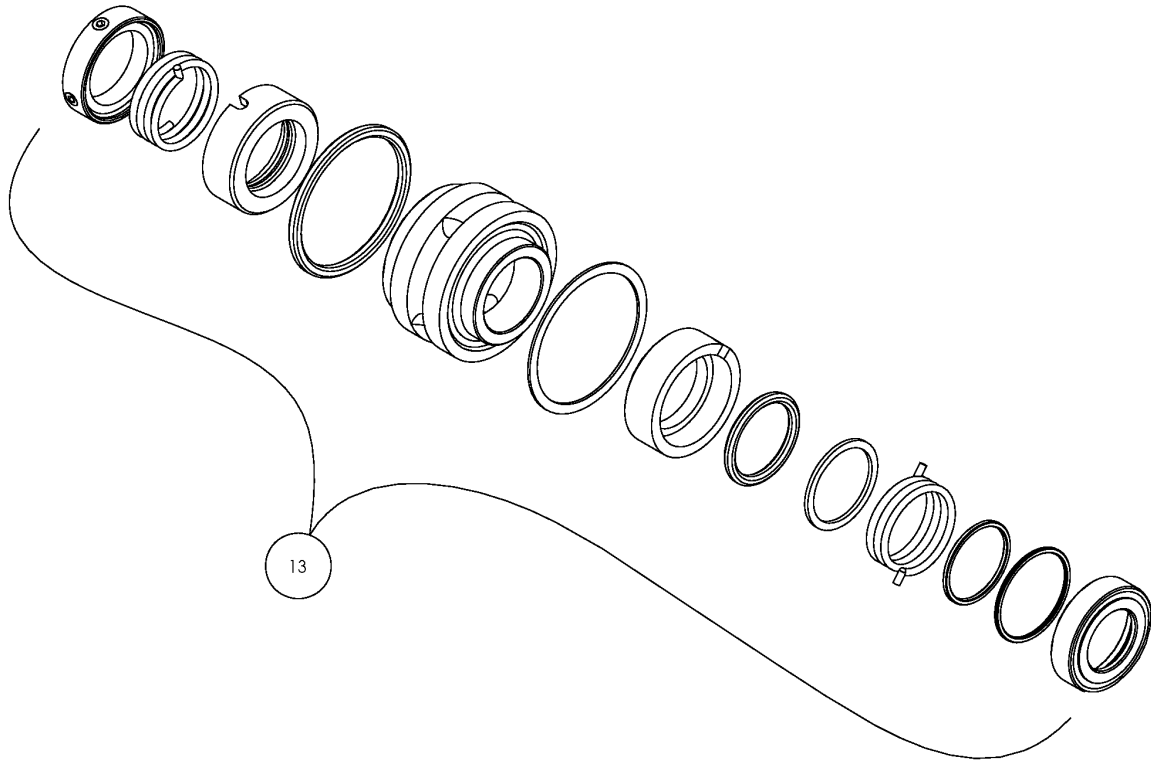
Ref #	Component Item No.	Description	Qty Per
13	GS2600000-SC	KIT,633,DBL SEAL,C/N/CE/V LD	1
	<i>GS2600006</i>	<i>KIT,633,DBL SEAL,C/C/C/V LD</i>	<i>1</i>
	<i>GS2600140</i>	<i>KIT,633,DBL SEAL,FR/C/CE/V LD</i>	<i>1</i>



Exploded View

Optional Items Shown in ITALICS

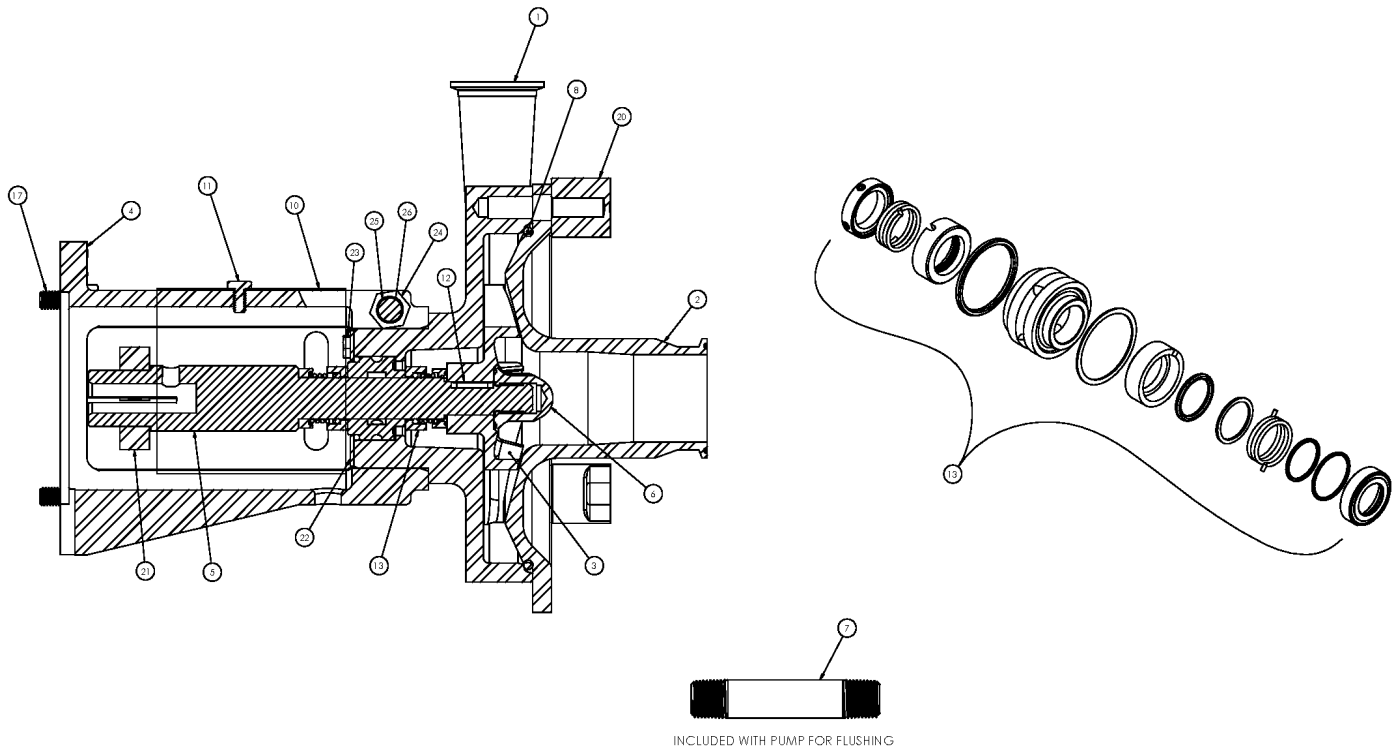
Ref #	Component Item No.	Description	Qty Per
1	SV70610000	CASING,180-210TC,2 CLMP LC R132,R140	1
2	SC44620279	COVER,R32/R40/R132,2-1/2 CLMP L SERIES	1
	SC44620432	COVER,R32/40/132/140,3 CLAMP L SERIES	1
3	SI70630243	IMPELLER,R140,205/18,205MAX LC/LD	1
4	SX10600287	ADAPTER,56C-140TC FRAME LD	1
5	SX21000117	STUBSHAFT,140TC,7/8 W/KEY LD	1
6	SI54000000	NUT,633,IMP,56C-210TC LC	1
7	SX10000007	NIPPLE,H20 FLUSH,1/8X2,304SS LD	2
8	GX80000337	O-RING,R32/40/132/140,CVR,BUNA LC	1
	GX80000349	GASKET,R32/40/132/140,CVR,EPDM LC	1
	GX80000338	GASKET,R32/40/132/R140,CVR,VIT LC	1
10	SX10614287	GUARD,SHAFT,ADPT,56-210TC,BOLT LDR/LDV	1
11	GX48104020	CAPSCRW,HX,1/4-28X3/8,18-8SS HX HD	1
12	SX15000002	KEY,56-280TSC LC	1
13	GS2600000-SC	KIT,633,DBL SEAL,C/N/CE/V LD	1
	GS2600006	KIT,633,DBL SEAL,C/C/C/V LD	1
	GS2600140	KIT,633,DBL SEAL,FR/C/CE/V LD	1
17	GX5077100	CAPSCRW,HX,3/8-16X1,18-8SS HX HD	4
20	SX03000020	NUT,WING LC SERIES	5
21	SX18000013	COLLAR,56C/140TC,SHAFT L SEE ITEM NOTES	1
22	SX48000021	RING,RETAINING,633 SEAL	1
23	GX48104020	CAPSCRW,HX,1/4-28X3/8,18-8SS HX HD	4
24	GX10610105	NUT,HEX,1/2-13,18-8SS L SERIES	1
25	GX10610100	CAPSCRW,HX,1/2-13X3-1/2,18-8SS HX HD	1
26	GX10610405	WASHER,LCK,1/2,18-8SS L SERIES	1



Exploded View - Seal Only

Optional Items Shown in ITALICS

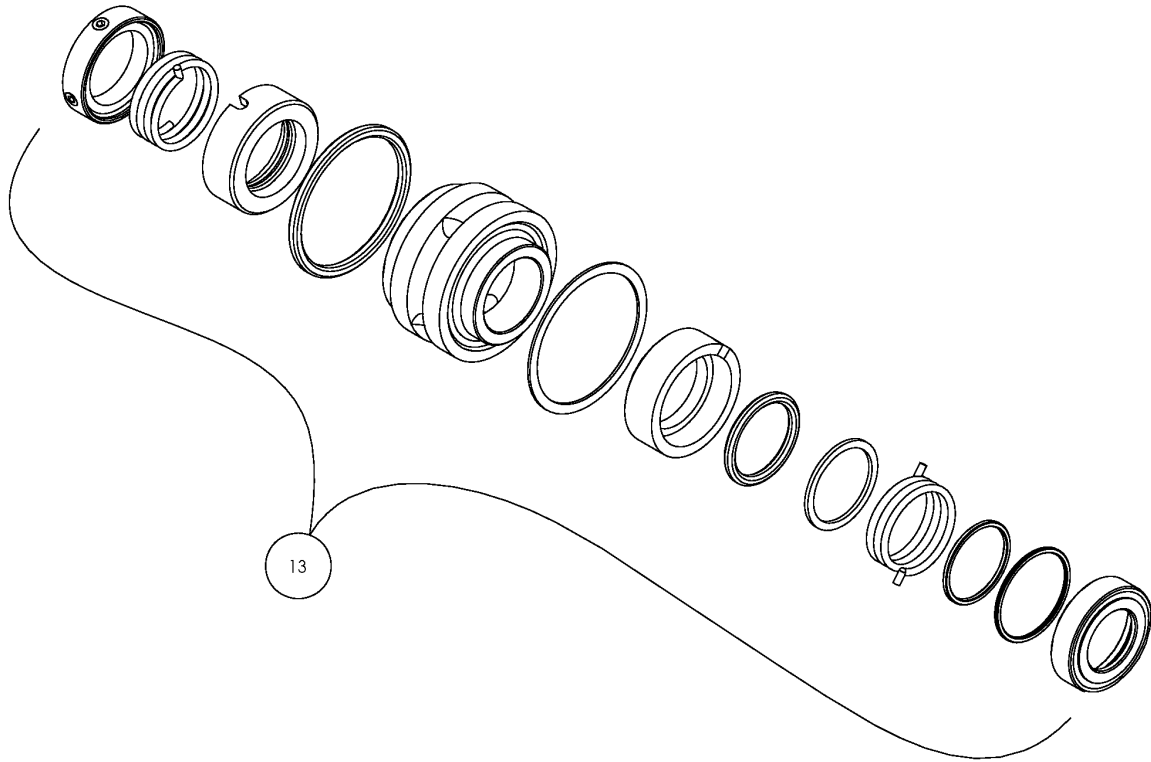
Ref #	Component Item No.	Description	Qty Per
13	GS2600000-SC	KIT,633,DBL SEAL,C/N/CE/V LD	1
	<i>GS2600006</i>	<i>KIT,633,DBL SEAL,C/C/C/V LD</i>	<i>1</i>
	<i>GS2600140</i>	<i>KIT,633,DBL SEAL,FR/C/CE/V LD</i>	<i>1</i>



Exploded View

Optional Items Shown in ITALICS

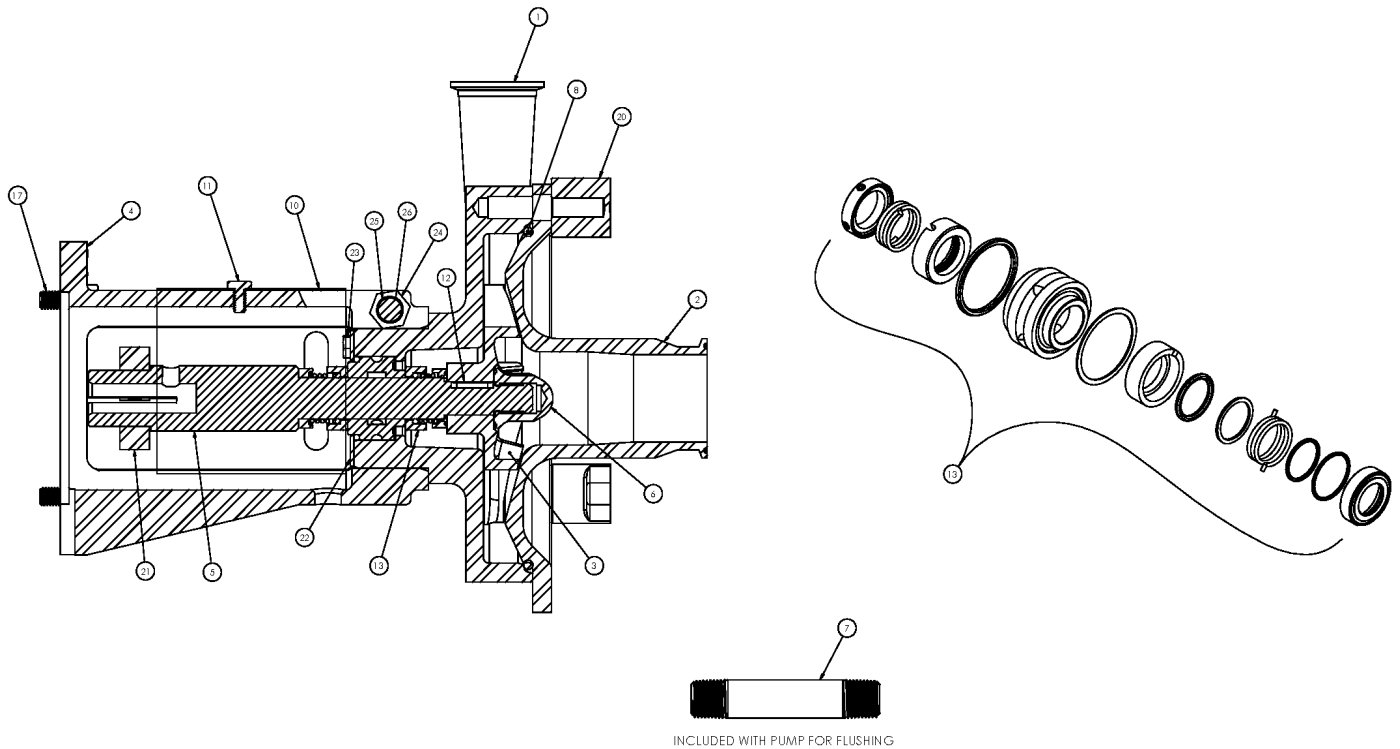
Ref #	Component Item No.	Description	Qty Per
1	SV70610000	CASING,180-210TC,2 CLMP LC R132,R140	1
2	SC44620279	COVER,R32/R40/R132,2-1/2 CLMP L SERIES	1
	SC44620432	COVER,R32/40/132/140,3 CLAMP L SERIES	1
3	SI70630243	IMPELLER,R140,205/18,205MAX LC/LD	1
4	SX10600207	ADAPTER,180-210TC FRAME LD	1
5	SX21000118	STUBSHAFT,180TC,1-1/8 W/KEY LD	1
6	SI54000000	NUT,633,IMP,56C-210TC LC	1
7	SX10000007	NIPPLE,H20 FLUSH,1/8X2,304SS LD	2
8	GX80000337	O-RING,R32/40/132/140,CVR,BUNA LC	1
	GX80000349	GASKET,R32/40/132/140,CVR,EPDM LC	1
	GX80000338	GASKET,R32/40/132/R140,CVR,VIT LC	1
10	SX10614287	GUARD,SHAFT,ADPT,56-210TC,BOLT LDR/LDV	1
11	GX48104020	CAPSCRW,HX,1/4-28X3/8,18-8SS HX HD	1
12	SX15000002	KEY,56-280TSC LC	1
13	GS2600000-SC	KIT,633,DBL SEAL,C/N/CE/V LD	1
	GS2600006	KIT,633,DBL SEAL,C/C/C/V LD	1
	GS2600140	KIT,633,DBL SEAL,FR/C/CE/V LD	1
17	SC1710H-SS	CAPSCRW,HX,1/2-13X1,18-8SS HX HD	4
20	SX03000020	NUT,WING LC SERIES	5
21	SX18000014	COLLAR,180TC,SHAFT LC	1
22	SX48000021	RING,RETAINING,633 SEAL	1
23	GX48104020	CAPSCRW,HX,1/4-28X3/8,18-8SS HX HD	4
24	GX10610105	NUT,HEX,1/2-13,18-8SS L SERIES	1
25	GX10610100	CAPSCRW,HX,1/2-13X3-1/2,18-8SS HX HD	1
26	GX10610405	WASHER,LCK,1/2,18-8SS L SERIES	1



Exploded View - Seal Only

Optional Items Shown in ITALICS

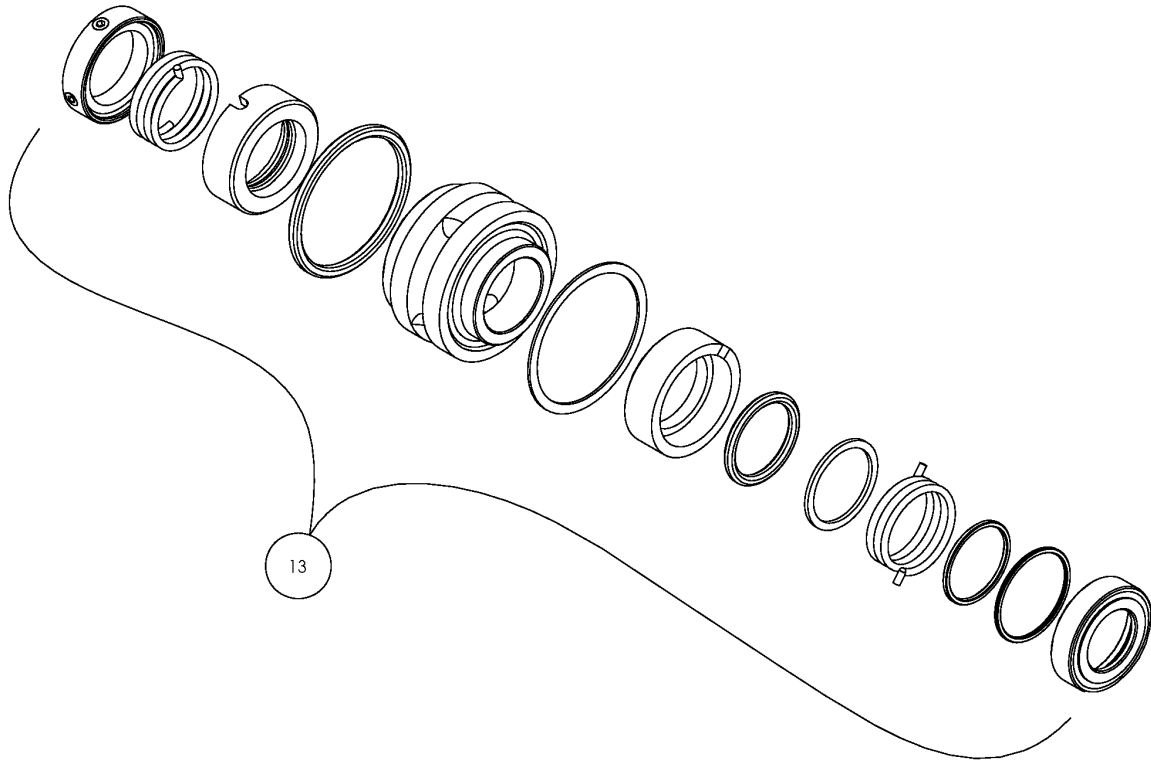
Ref #	Component Item No.	Description	Qty Per
13	GS2600000-SC	KIT,633,DBL SEAL,C/N/CE/V LD	1
	<i>GS2600006</i>	<i>KIT,633,DBL SEAL,C/C/C/V LD</i>	<i>1</i>
	<i>GS2600140</i>	<i>KIT,633,DBL SEAL,FR/C/CE/V LD</i>	<i>1</i>



Exploded View

Optional Items Shown in ITALICS

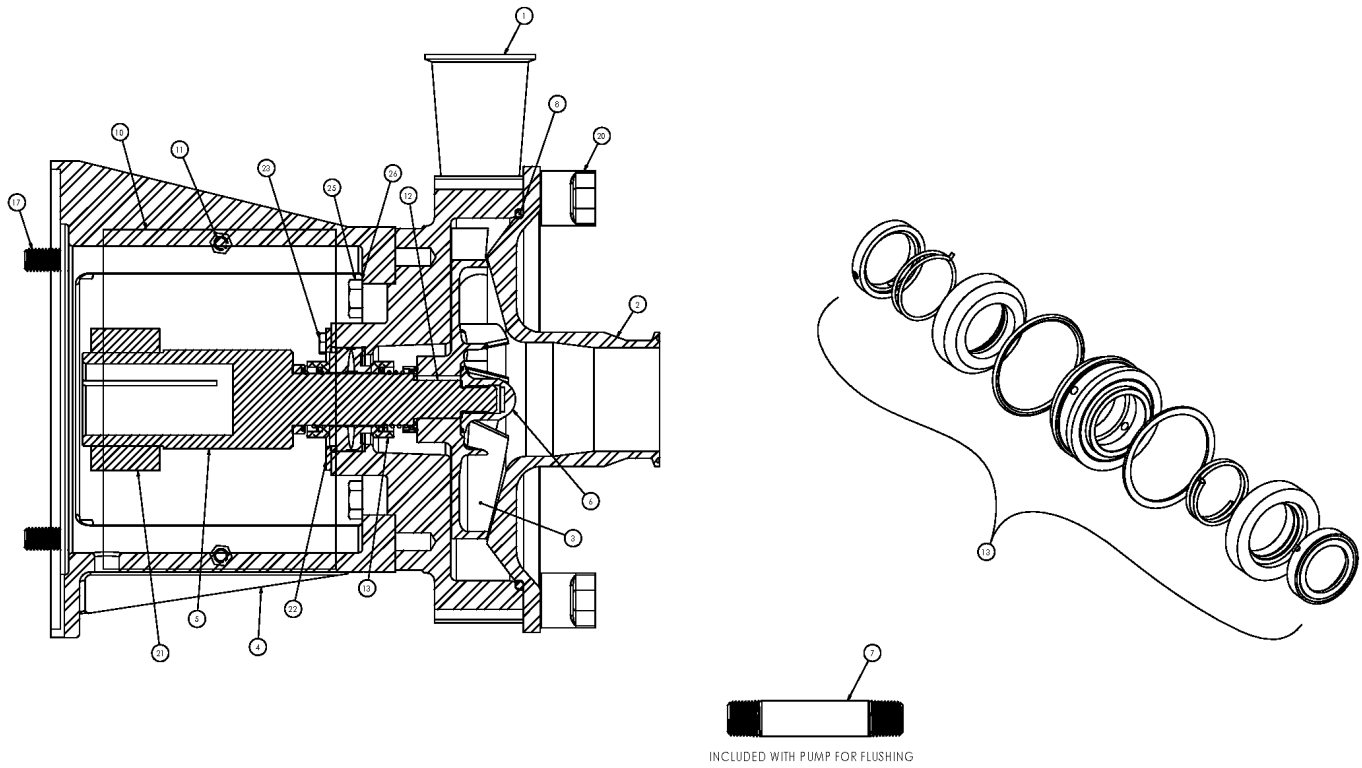
Ref #	Component Item No.	Description	Qty Per
1	SV70610000	CASING,180-210TC,2 CLMP LC R132,R140	1
2	SC44620279	COVER,R32/R40/R132,2-1/2 CLMP L SERIES	1
	SC44620432	COVER,R32/40/132/140,3 CLAMP L SERIES	1
3	SI70630243	IMPELLER,R140,205/18,205MAX LC/LD	1
4	SX10600207	ADAPTER,180-210TC FRAME LD	1
5	SX21000119	STUBSHAFT,210TC,1-3/8 W/KEY LD	1
6	SI54000000	NUT,633,IMP,56C-210TC LC	1
7	SX10000007	NIPPLE,H20 FLUSH,1/8X2,304SS LD	2
8	GX80000337	O-RING,R32/40/132/140,CVR,BUNA LC	1
	GX80000349	GASKET,R32/40/132/140,CVR,EPDM LC	1
	GX80000338	GASKET,R32/40/132/R140,CVR,VIT LC	1
10	SX10614287	GUARD,SHAFT,ADPT,56-210TC,BOLT LDR/LDV	1
11	GX48104020	CAPSCRW,HX,1/4-28X3/8,18-8SS HX HD	1
12	SX15000002	KEY,56-280TSC LC	1
13	GS2600000-SC	KIT,633,DBL SEAL,C/N/CE/V LD	1
	GS2600006	KIT,633,DBL SEAL,C/C/C/V LD	1
	GS2600140	KIT,633,DBL SEAL,FR/C/CE/V LD	1
17	SC1710H-SS	CAPSCRW,HX,1/2-13X1,18-8SS HX HD	4
20	SX03000020	NUT,WING LC SERIES	5
21	SX18000015	COLLAR,210TC,SHAFT LC	1
22	SX48000021	RING,RETAINING,633 SEAL	1
23	GX48104020	CAPSCRW,HX,1/4-28X3/8,18-8SS HX HD	4
24	GX10610105	NUT,HEX,1/2-13,18-8SS L SERIES	1
25	GX10610100	CAPSCRW,HX,1/2-13X3-1/2,18-8SS HX HD	1
26	GX10610405	WASHER,LCK,1/2,18-8SS L SERIES	1



Exploded View - Seal Only

Optional Items Shown in ITALICS

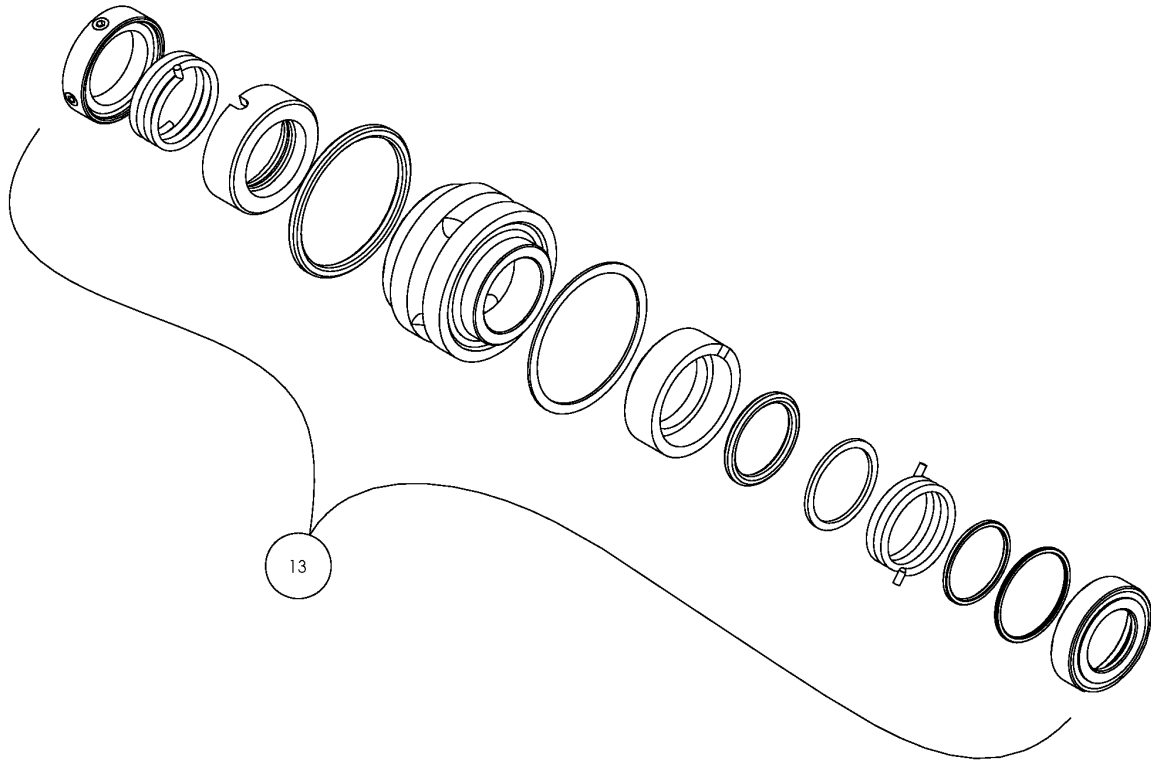
Ref #	Component Item No.	Description	Qty Per
13	GS2600000-SC	KIT,633,DBL SEAL,C/N/CE/V LD	1
	<i>GS2600006</i>	<i>KIT,633,DBL SEAL,C/C/C/V LD</i>	<i>1</i>
	<i>GS2600140</i>	<i>KIT,633,DBL SEAL,FR/C/CE/V LD</i>	<i>1</i>



Exploded View

Optional Items Shown in ITALICS

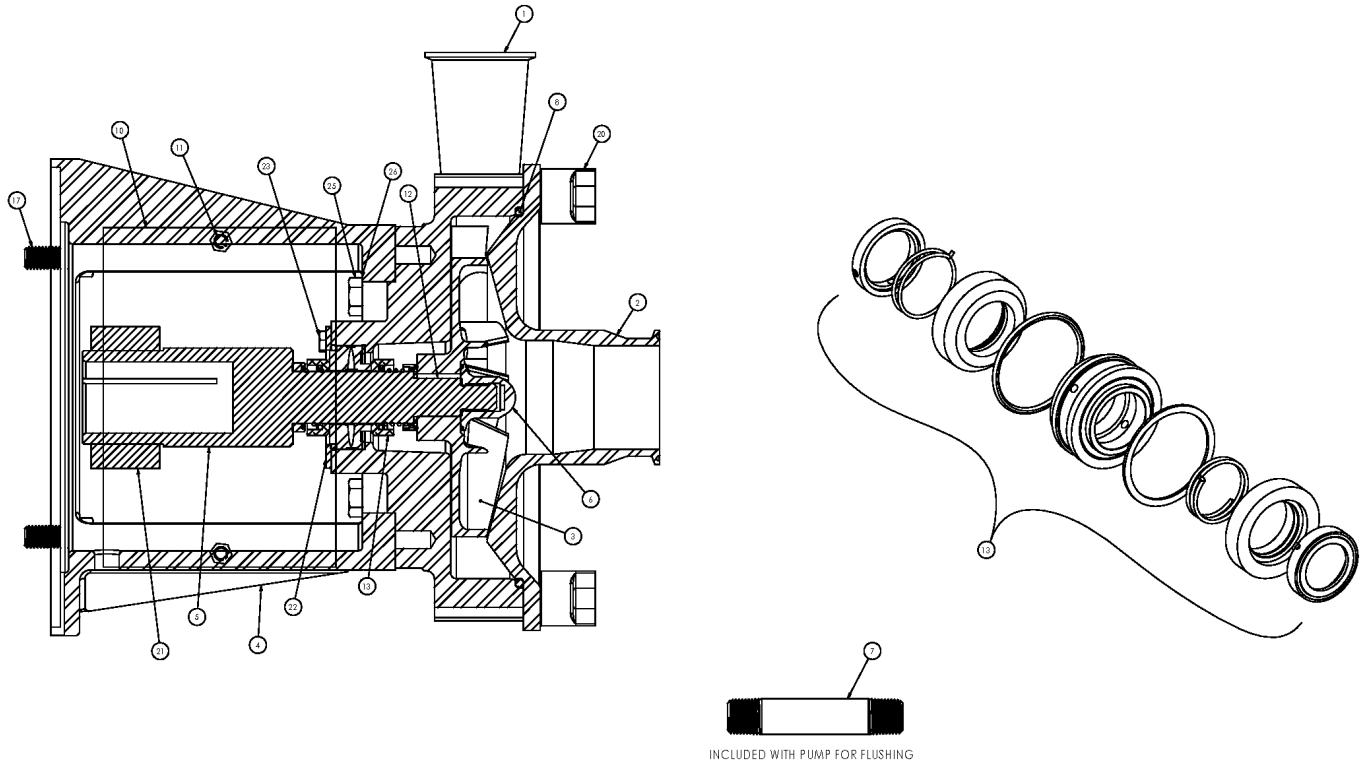
Ref #	Component Item No.	Description	Qty Per
1	SV70610001	CASING,280TSC,2 CLMP LC R132,R140	1
2	SC44620279	COVER,R32/R40/R132,2-1/2 CLMP L SERIES	1
	SC44620432	COVER,R32/40/132/140,3 CLAMP L SERIES	1
3	SI70630235	IMPELLER,R140,205/22,205MAX LC/LD/LF	1
4	SX10600120	ADAPTER,210-250TC FRAME LCX/LD	1
5	SX21000100	STUBSHAFT,250TC/280TSC,1-5/8 W/KEY LD	1
6	SI54000007	NUT,735,IMP,250TC-280TC	1
8	GX80000337	O-RING,R32/40/132/140,CVR,BUNA LC	1
	GX80000349	GASKET,R32/40/132/140,CVR,EPDM LC	1
	GX80000338	GASKET,R32/40/132/R140,CVR,VIT LC	1
10	SX10628089	GUARD,SHAFT,DBL FLNGE ADPTRS LC	2
11	GX48104020	CAPSCRW,HX,1/4-28X3/8,18-8SS HX HD	4
12	SX15000002	KEY,56-280TSC LC	1
13	GS2600128-SC	KIT,735,DBL SEAL,C/N/CE/V LD	1
	GS2600130	KIT,735,DBL SEAL,C/C/C/V LD	1
	GS2600128	KIT,735,DBL SEAL,CO/N/CE/V LD	1
17	SC1710H-SS	CAPSCRW,HX,1/2-13X1,18-8SS HX HD	4
20	SX03000020	NUT,WING LC SERIES	5
21	SX18000035	COLLAR,250TC/280TSC,SHAFT LC	1
22	SX48000022	RING,RETAINING,735,280TC 735 SEAL	1
23	GX48104020	CAPSCRW,HX,1/4-28X3/8,18-8SS HX HD	4
25	GX10610400	CAPSCRW,HX,M12-1.75X30MM,18-8S HX HD	4
26	GX10610405	WASHER,LCK,1/2,18-8SS L SERIES	4



Exploded View - Seal Only

Optional Items Shown in ITALICS

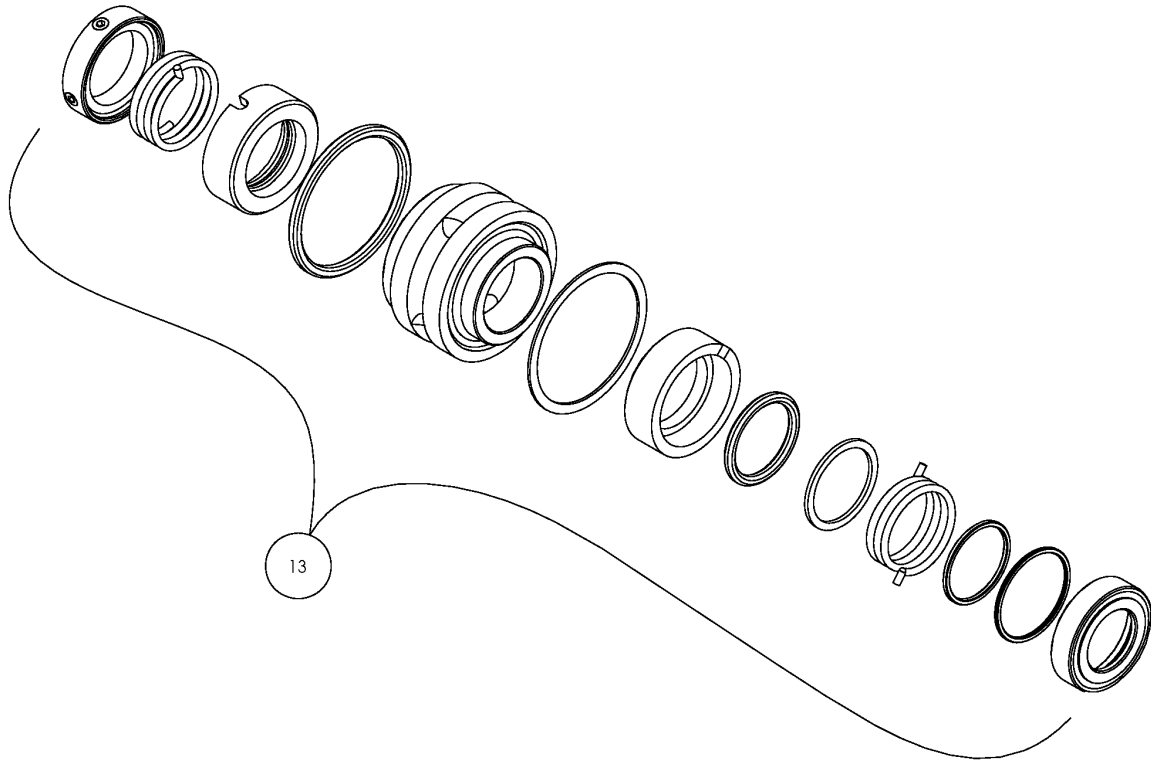
Ref #	Component Item No.	Description	Qty Per
13	GS2600128-SC	KIT,735,DBL SEAL,C/N/CE/V LD	1
	<i>GS2600130</i>	<i>KIT,735,DBL SEAL,C/C/C/V LD</i>	<i>1</i>
	<i>GS2600128</i>	<i>KIT,735,DBL SEAL,CO/N/CE/V LD</i>	<i>1</i>



Exploded View

Optional Items Shown in ITALICS

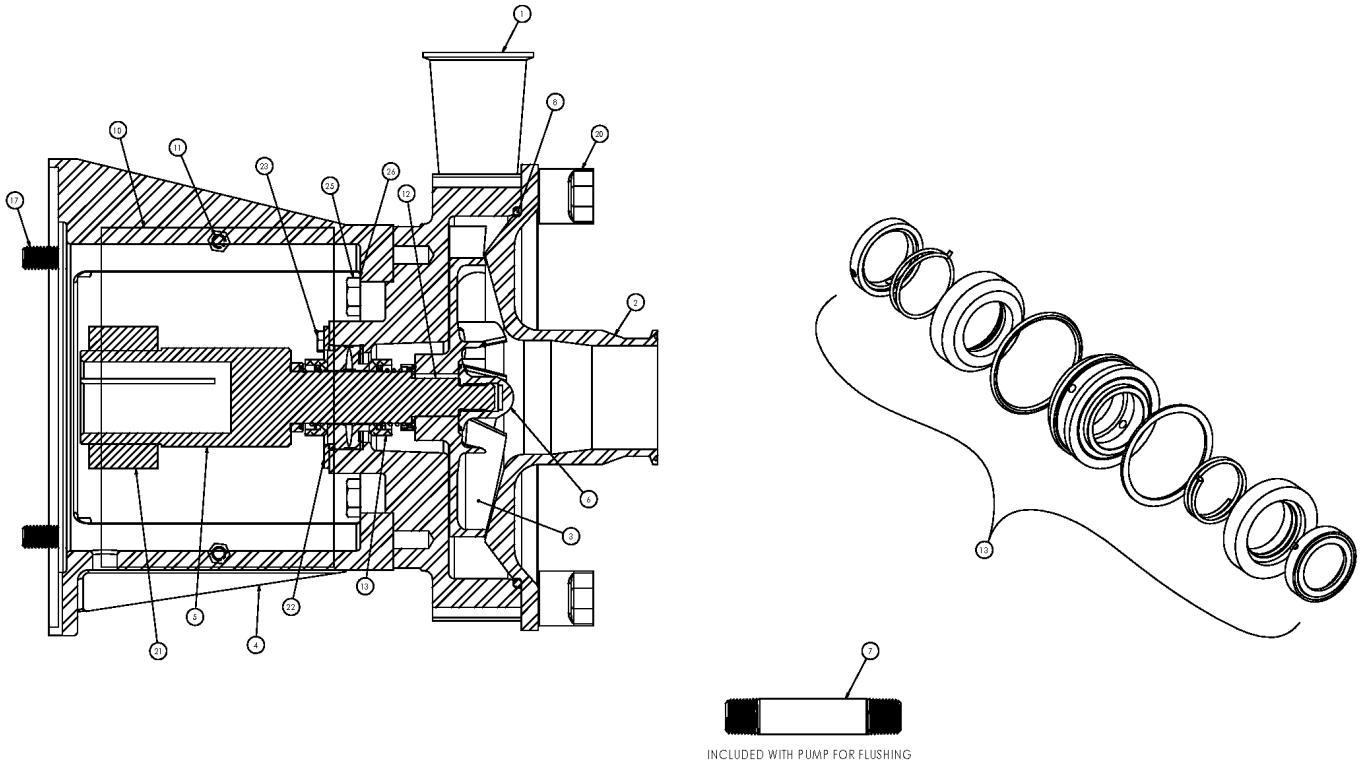
Ref #	Component Item No.	Description	Qty Per
1	SV70610001	CASING,280TSC,2 CLMP LC R132,R140	1
2	SC44620279	COVER,R32/R40/R132,2-1/2 CLMP L SERIES	1
	SC44620432	COVER,R32/40/132/140,3 CLAMP L SERIES	1
3	SI70630235	IMPELLER,R140,205/22,205MAX LC/LD/LF	1
4	SX10600089	ADAPTER,280TC/TSC FRAME LC/LD	1
5	SX21000100	STUBSHAFT,250TC/280TSC,1-5/8 W/KEY LD	1
6	SI54000007	NUT,735,IMP,250TC-280TC	1
7	SX10000007	NIPPLE,H20 FLUSH,1/8X2,304SS LD	2
8	GX80000337	O-RING,R32/40/132/140,CVR,BUNA LC	1
	GX80000349	GASKET,R32/40/132/140,CVR,EPDM LC	1
	GX80000338	GASKET,R32/40/132/R140,CVR,VIT LC	1
10	SX10628089	GUARD,SHAFT,DBL FLNGE ADPTRS LC	2
11	GX48104020	CAPSCRW,HX,1/4-28X3/8,18-8SS HX HD	4
12	SX15000002	KEY,56-280TSC LC	1
13	GS2600128-SC	KIT,735,DBL SEAL,C/N/CE/V LD	1
	GS2600130	KIT,735,DBL SEAL,C/C/C/V LD	1
	GS2600128	KIT,735,DBL SEAL,CO/N/CE/V LD	1
17	SC1710H-SS	CAPSCRW,HX,1/2-13X1,18-8SS HX HD	4
20	SX03000020	NUT,WING LC SERIES	5
21	SX18000035	COLLAR,250TC/280TSC,SHAFT LC	1
22	SX48000022	RING,RETAINING,735,280TC 735 SEAL	1
23	GX48104020	CAPSCRW,HX,1/4-28X3/8,18-8SS HX HD	4
25	GX10610400	CAPSCRW,HX,M12-1.75X30MM,18-8S HX HD	4
26	GX10610405	WASHER,LCK,1/2,18-8SS L SERIES	4



Exploded View - Seal Only

Optional Items Shown in ITALICS

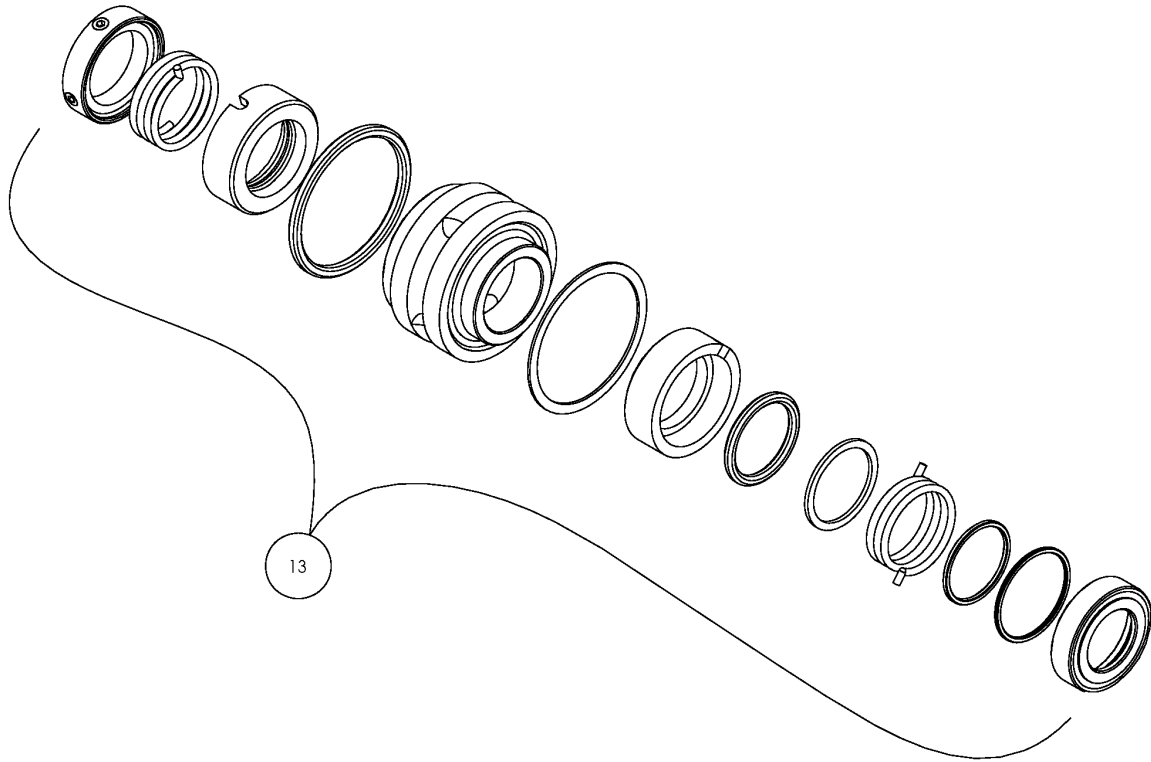
Ref #	Component Item No.	Description	Qty Per
13	GS2600128-SC	KIT,735,DBL SEAL,C/N/CE/V LD	1
	<i>GS2600130</i>	<i>KIT,735,DBL SEAL,C/C/C/V LD</i>	<i>1</i>
	<i>GS2600128</i>	<i>KIT,735,DBL SEAL,CO/N/CE/V LD</i>	<i>1</i>



Exploded View

Optional Items Shown in ITALICS

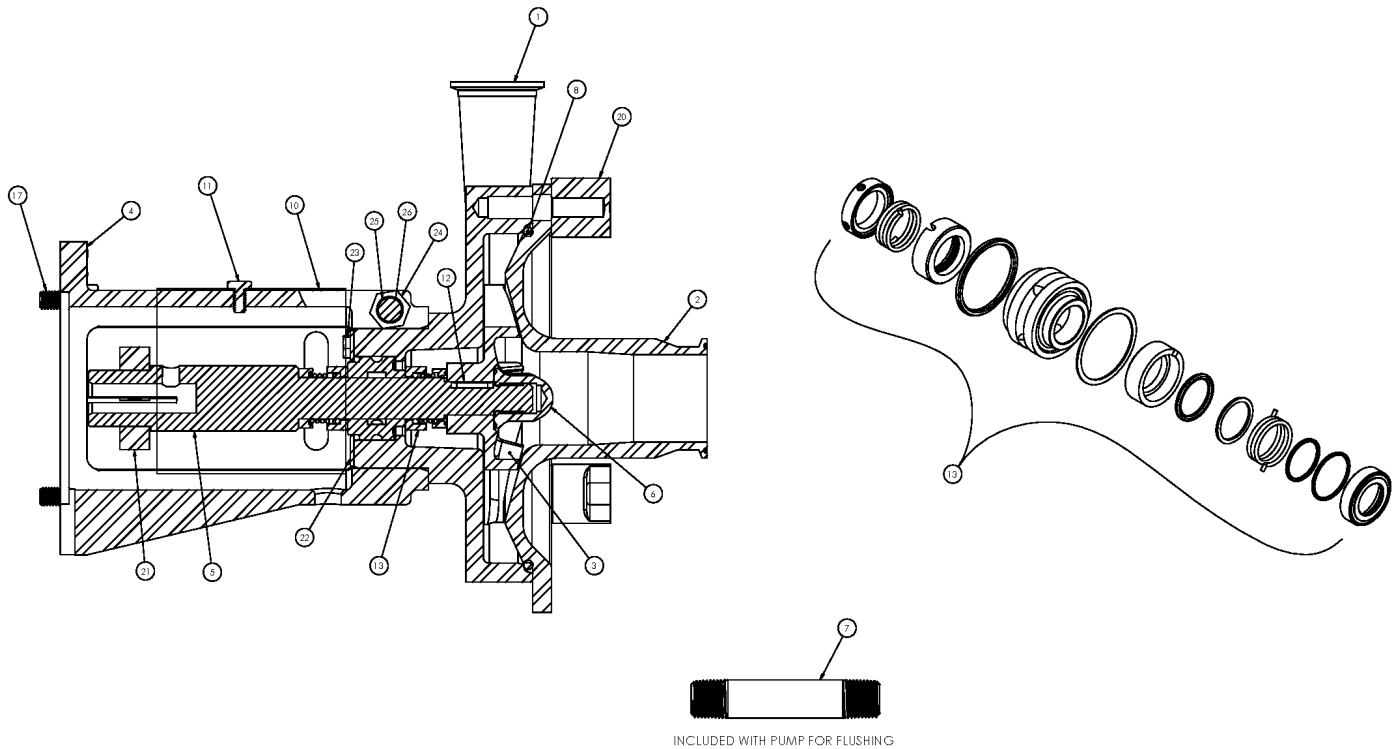
Ref #	Component Item No.	Description	Qty Per
1	SV70610003	CASING,320TSC,2 CLMP LC R132,R140	1
2	SC44620279	COVER,R32/R40/R132,2-1/2 CLMP L SERIES	1
	SC44620432	COVER,R32/40/132/140,3 CLAMP L SERIES	1
3	SI70630234	IMPELLER,R140,205/30,205MAX, EXT'D HUB LC/LD	1
4	SX10600100	ADAPTER,320TC/TSC FRAME LC/LD/LF	1
5	SX21000104	STUBSHAFT,320TSC/360TSC,1-7/8 W/KEY LD	1
6	SI54000005	NUT,735/736,IMP,EXT HUB LC	1
7	SX10000007	NIPPLE,H20 FLUSH,1/8X2,304SS LD	2
8	GX80000337	O-RING,R32/40/132/140,CVR,BUNA LC	1
	GX80000349	GASKET,R32/40/132/140,CVR,EPDM LC	1
	GX80000338	GASKET,R32/40/132/R140,CVR,VIT LC	1
10	SX10628089	GUARD,SHAFT,DBL FLNGE ADPTRS LC	2
11	GX48104020	CAPSCRW,HX,1/4-28X3/8,18-8SS HX HD	4
12	SX15000023	KEY, LC, 320TSC	1
13	GS2600131-SC	KIT,736,DBL SEAL,C/N/CE/V LD	1
	GS2600139	KIT,736,DBL SEAL,C/C/C/V LD	1
	GS2600131	KIT,736,DBL SEAL,FR/N/CE/V LD	1
17	GX5076700	CAPSCRW,HX,5/8-11X1-1/2,18-8SS HX HD	4
20	SX03000020	NUT,WING LC SERIES	5
21	SX18000027	COLLAR,280TC/320TSC,SHAFT LC	1
22	SX48000023	RING,RETAINING,736 SEAL	1
23	GX48104020	CAPSCRW,HX,1/4-28X3/8,18-8SS HX HD	4
25	GX10610400	CAPSCRW,HX,M12-1.75X30MM,18-8S HX HD	4
26	GX10610405	WASHER,LCK,1/2,18-8SS L SERIES	4



Exploded View - Seal Only

Optional Items Shown in ITALICS

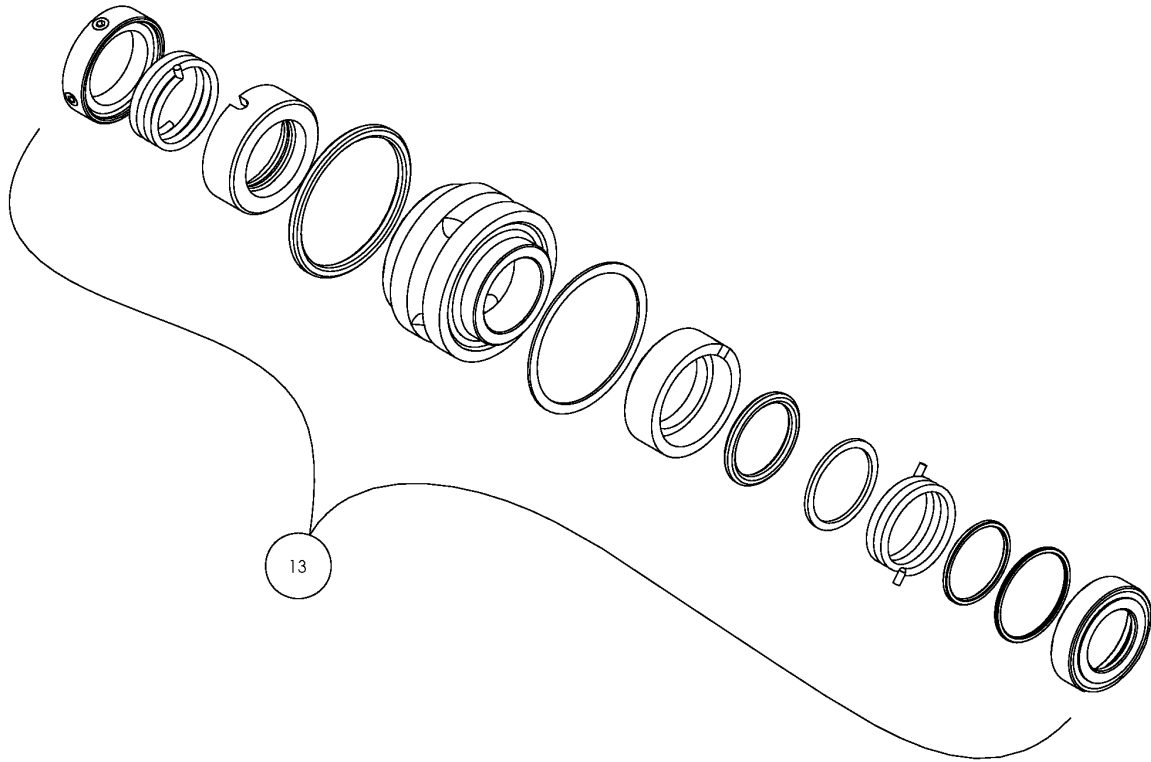
Ref #	Component Item No.	Description	Qty Per
13	GS2600131-SC	KIT,736,DBL SEAL,C/N/CE/V LD	1
	<i>GS2600139</i>	<i>KIT,736,DBL SEAL,C/C/C/V LD</i>	<i>1</i>
	<i>GS2600131</i>	<i>KIT,736,DBL SEAL,FR/N/CE/V LD</i>	<i>1</i>



Exploded View

Optional Items Shown in ITALICS

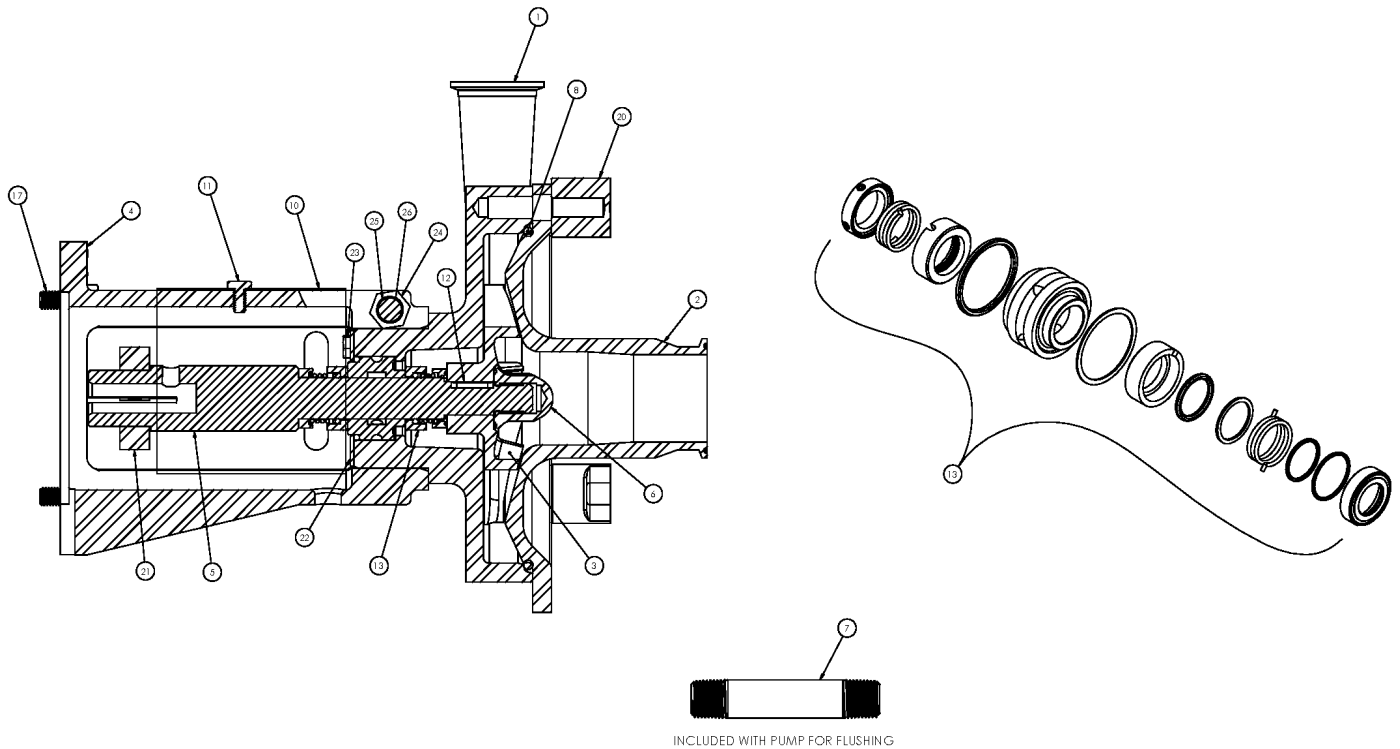
Ref #	Component Item No.	Description	Qty Per
1	SV70610000	CASING,180-210TC,2 CLMP LC R132,R140	1
2	SC44620279	COVER,R32/R40/R132,2-1/2 CLMP L SERIES	1
	SC44620432	COVER,R32/40/132/140,3 CLAMP L SERIES	1
3	SI70630243	IMPELLER,R140,205/18,205MAX LC/LD	1
4	SX10600287	ADAPTER,56C-140TC FRAME LD	1
5	SX21000117	STUBSHAFT,140TC,7/8 W/KEY LD	1
6	SI54000000	NUT,633,IMP,56C-210TC LC	1
7	SX10000007	NIPPLE,H20 FLUSH,1/8X2,304SS LD	2
8	GX80000337	O-RING,R32/40/132/140,CVR,BUNA LC	1
	GX80000349	GASKET,R32/40/132/140,CVR,EPDM LC	1
	GX80000338	GASKET,R32/40/132/R140,CVR,VIT LC	1
10	SX10614287	GUARD,SHAFT,ADPT,56-210TC,BOLT LDR/LDV	1
11	GX48104020	CAPSCRW,HX,1/4-28X3/8,18-8SS HX HD	1
12	SX15000002	KEY,56-280TSC LC	1
13	GS2600000-SC	KIT,633,DBL SEAL,C/N/CE/V LD	1
	GS2600006	KIT,633,DBL SEAL,C/C/C/V LD	1
	GS2600140	KIT,633,DBL SEAL,FR/C/CE/V LD	1
17	GX5077100	CAPSCRW,HX,3/8-16X1,18-8SS HX HD	4
20	SX03000020	NUT,WING LC SERIES	5
21	SX18000013	COLLAR,56C/140TC,SHAFT L SEE ITEM NOTES	1
22	SX48000021	RING,RETAINING,633 SEAL	1
23	GX48104020	CAPSCRW,HX,1/4-28X3/8,18-8SS HX HD	4
24	GX10610105	NUT,HEX,1/2-13,18-8SS L SERIES	1
25	GX10610100	CAPSCRW,HX,1/2-13X3-1/2,18-8SS HX HD	1
26	GX10610405	WASHER,LCK,1/2,18-8SS L SERIES	1



Exploded View - Seal Only

Optional Items Shown in ITALICS

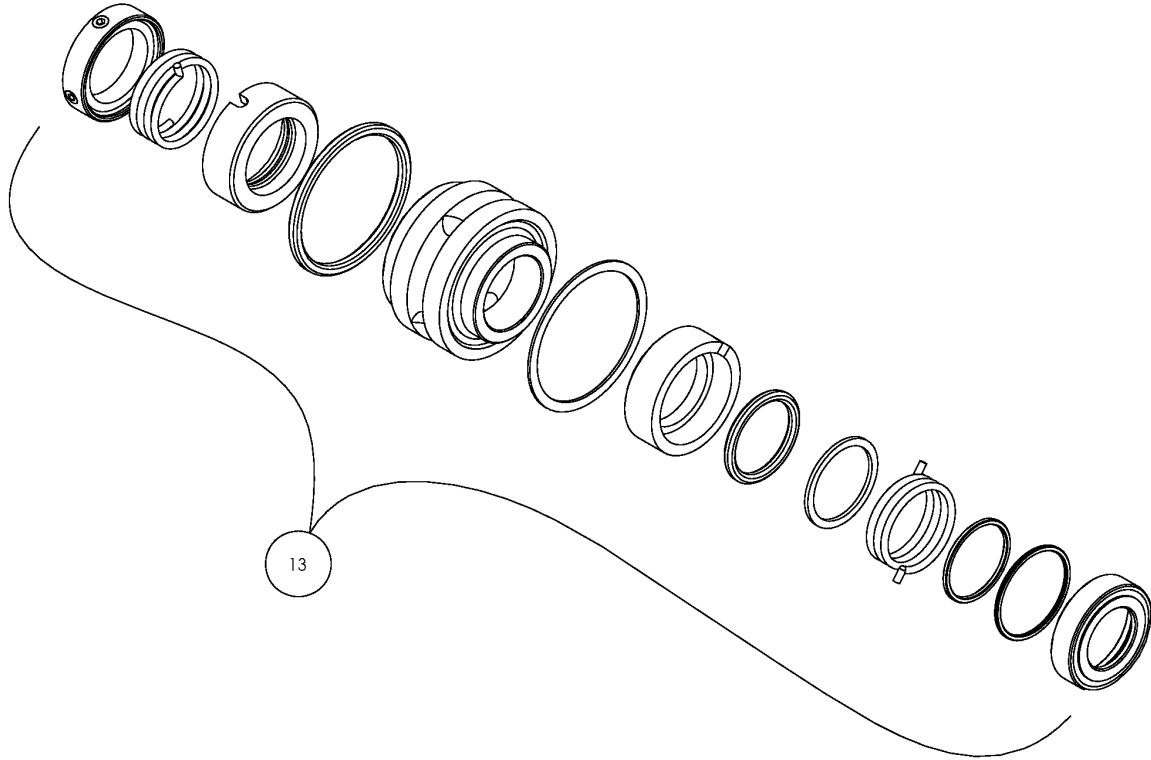
Ref #	Component Item No.	Description	Qty Per
13	GS2600000-SC	KIT,633,DBL SEAL,C/N/CE/V LD	1
	<i>GS2600006</i>	<i>KIT,633,DBL SEAL,C/C/C/V LD</i>	<i>1</i>
	<i>GS2600140</i>	<i>KIT,633,DBL SEAL,FR/C/CE/V LD</i>	<i>1</i>



Exploded View

Optional Items Shown in ITALICS

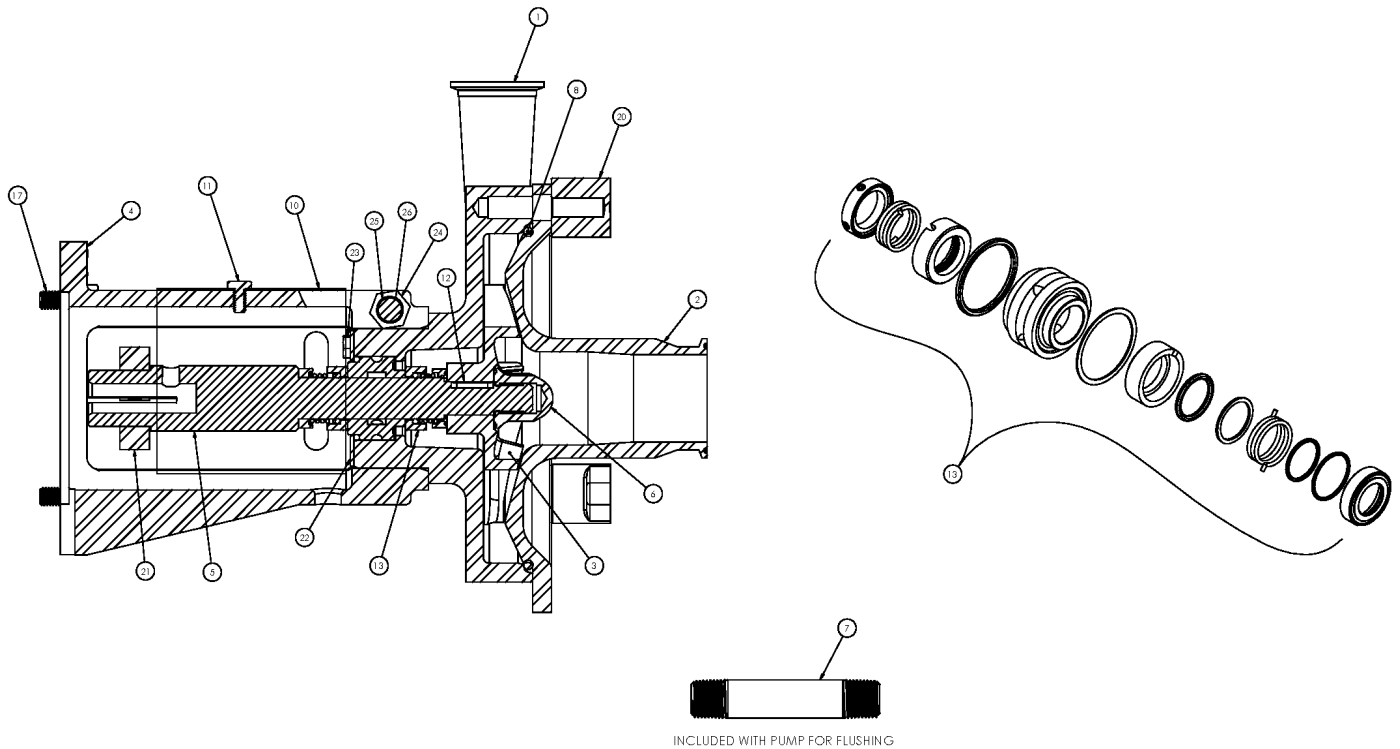
Ref #	Component Item No.	Description	Qty Per
1	SV70610000	CASING,180-210TC,2 CLMP LC R132,R140	1
2	SC44620279	COVER,R32/R40/R132,2-1/2 CLMP L SERIES	1
	SC44620432	COVER,R32/40/132/140,3 CLAMP L SERIES	1
3	SI70630243	IMPELLER,R140,205/18,205MAX LC/LD	1
4	SX10600207	ADAPTER,180-210TC FRAME LD	1
5	SX21000118	STUBSHAFT,180TC,1-1/8 W/KEY LD	1
6	SI54000000	NUT,633,IMP,56C-210TC LC	1
7	SX10000007	NIPPLE,H20 FLUSH,1/8X2,304SS LD	2
8	GX80000337	O-RING,R32/40/132/140,CVR,BUNA LC	1
	GX80000349	GASKET,R32/40/132/140,CVR,EPDM LC	1
	GX80000338	GASKET,R32/40/132/R140,CVR,VIT LC	1
10	SX10614287	GUARD,SHAFT,ADPT,56-210TC,BOLT LDR/LDV	1
11	GX48104020	CAPSCRW,HX,1/4-28X3/8,18-8SS HX HD	1
12	SX15000002	KEY,56-280TSC LC	1
13	GS2600000-SC	KIT,633,DBL SEAL,C/N/CE/V LD	1
	GS2600006	KIT,633,DBL SEAL,C/C/C/V LD	1
	GS2600140	KIT,633,DBL SEAL,FR/C/CE/V LD	1
17	SC1710H-SS	CAPSCRW,HX,1/2-13X1,18-8SS HX HD	4
20	SX03000020	NUT,WING LC SERIES	5
21	SX18000014	COLLAR,180TC,SHAFT LC	1
22	SX48000021	RING,RETAINING,633 SEAL	1
23	GX48104020	CAPSCRW,HX,1/4-28X3/8,18-8SS HX HD	4
24	GX10610105	NUT,HEX,1/2-13,18-8SS L SERIES	1
25	GX10610100	CAPSCRW,HX,1/2-13X3-1/2,18-8SS HX HD	1
26	GX10610405	WASHER,LCK,1/2,18-8SS L SERIES	1



Exploded View - Seal Only

Optional Items Shown in ITALICS

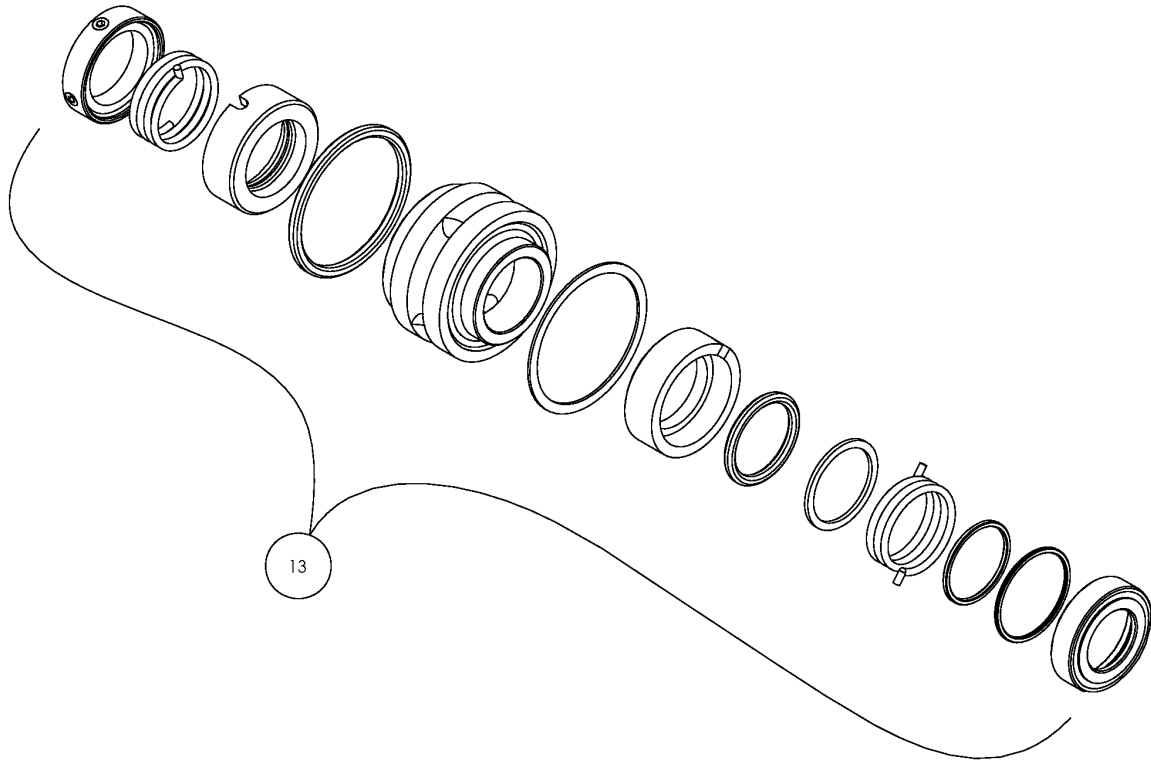
Ref #	Component Item No.	Description	Qty Per
13	GS2600000-SC	KIT,633,DBL SEAL,C/N/CE/V LD	1
	<i>GS2600006</i>	<i>KIT,633,DBL SEAL,C/C/C/V LD</i>	<i>1</i>
	<i>GS2600140</i>	<i>KIT,633,DBL SEAL,FR/C/CE/V LD</i>	<i>1</i>



Exploded View

Optional Items Shown in ITALICS

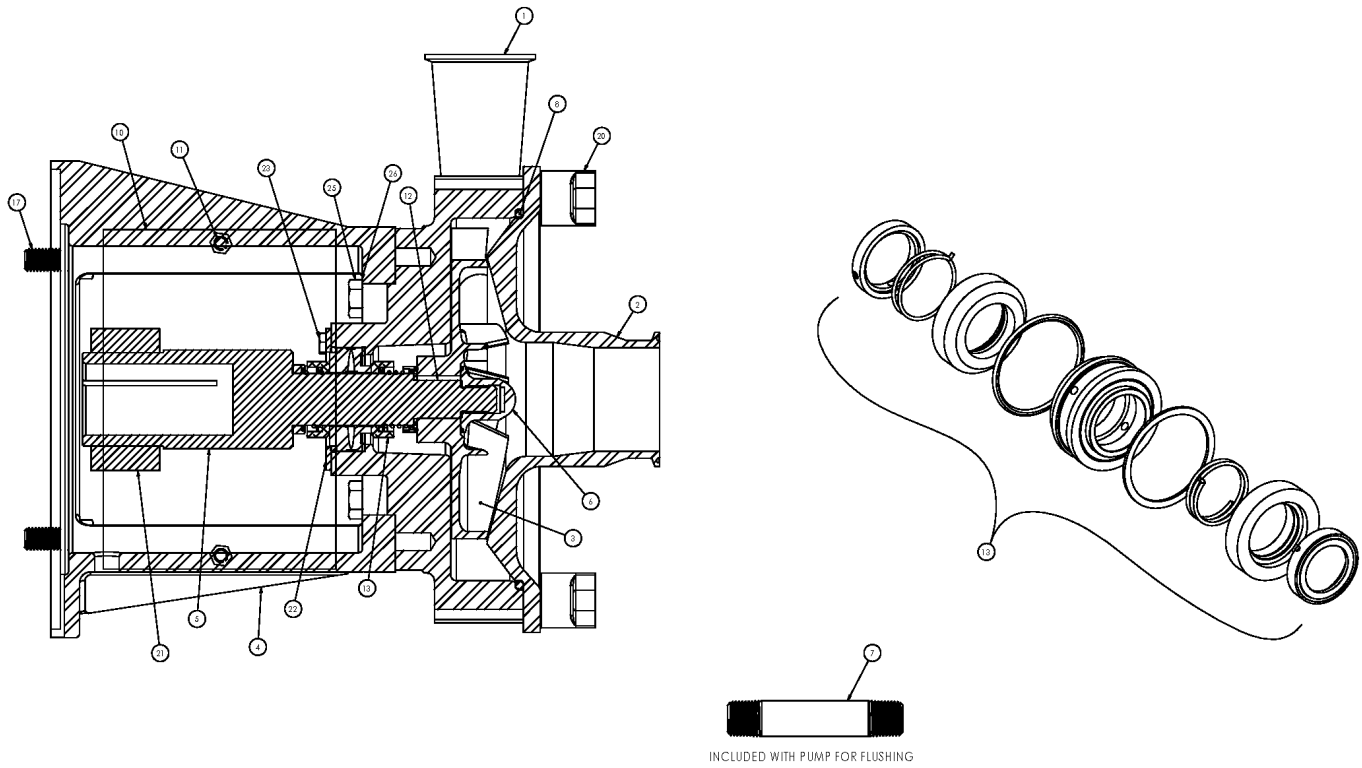
Ref #	Component Item No.	Description	Qty Per
1	SV70610000	CASING,180-210TC,2 CLMP LC R132,R140	1
2	SC44620279	COVER,R32/R40/R132,2-1/2 CLMP L SERIES	1
	SC44620432	COVER,R32/40/132/140,3 CLAMP L SERIES	1
3	SI70630243	IMPELLER,R140,205/18,205MAX LC/LD	1
4	SX10600207	ADAPTER,180-210TC FRAME LD	1
5	SX21000119	STUBSHAFT,210TC,1-3/8 W/KEY LD	1
6	SI54000000	NUT,633,IMP,56C-210TC LC	1
7	SX10000007	NIPPLE,H20 FLUSH,1/8X2,304SS LD	2
8	GX80000337	O-RING,R32/40/132/140,CVR,BUNA LC	1
	GX80000349	GASKET,R32/40/132/140,CVR,EPDM LC	1
	GX80000338	GASKET,R32/40/132/R140,CVR,VIT LC	1
10	SX10614287	GUARD,SHAFT,ADPT,56-210TC,BOLT LDR/LDV	1
11	GX48104020	CAPSCRW,HX,1/4-28X3/8,18-8SS HX HD	1
12	SX15000002	KEY,56-280TSC LC	1
13	GS2600000-SC	KIT,633,DBL SEAL,C/N/CE/V LD	1
	GS2600006	KIT,633,DBL SEAL,C/C/C/V LD	1
	GS2600140	KIT,633,DBL SEAL,FR/C/CE/V LD	1
17	SC1710H-SS	CAPSCRW,HX,1/2-13X1,18-8SS HX HD	4
20	SX03000020	NUT,WING LC SERIES	5
21	SX18000015	COLLAR,210TC,SHAFT LC	1
22	SX48000021	RING,RETAINING,633 SEAL	1
23	GX48104020	CAPSCRW,HX,1/4-28X3/8,18-8SS HX HD	4
24	GX10610105	NUT,HEX,1/2-13,18-8SS L SERIES	1
25	GX10610100	CAPSCRW,HX,1/2-13X3-1/2,18-8SS HX HD	1
26	GX10610405	WASHER,LCK,1/2,18-8SS L SERIES	1



Exploded View - Seal Only

Optional Items Shown in ITALICS

Ref #	Component Item No.	Description	Qty Per
13	GS2600000-SC	KIT,633,DBL SEAL,C/N/CE/V LD	1
	<i>GS2600006</i>	<i>KIT,633,DBL SEAL,C/C/C/V LD</i>	<i>1</i>
	<i>GS2600140</i>	<i>KIT,633,DBL SEAL,FR/C/CE/V LD</i>	<i>1</i>

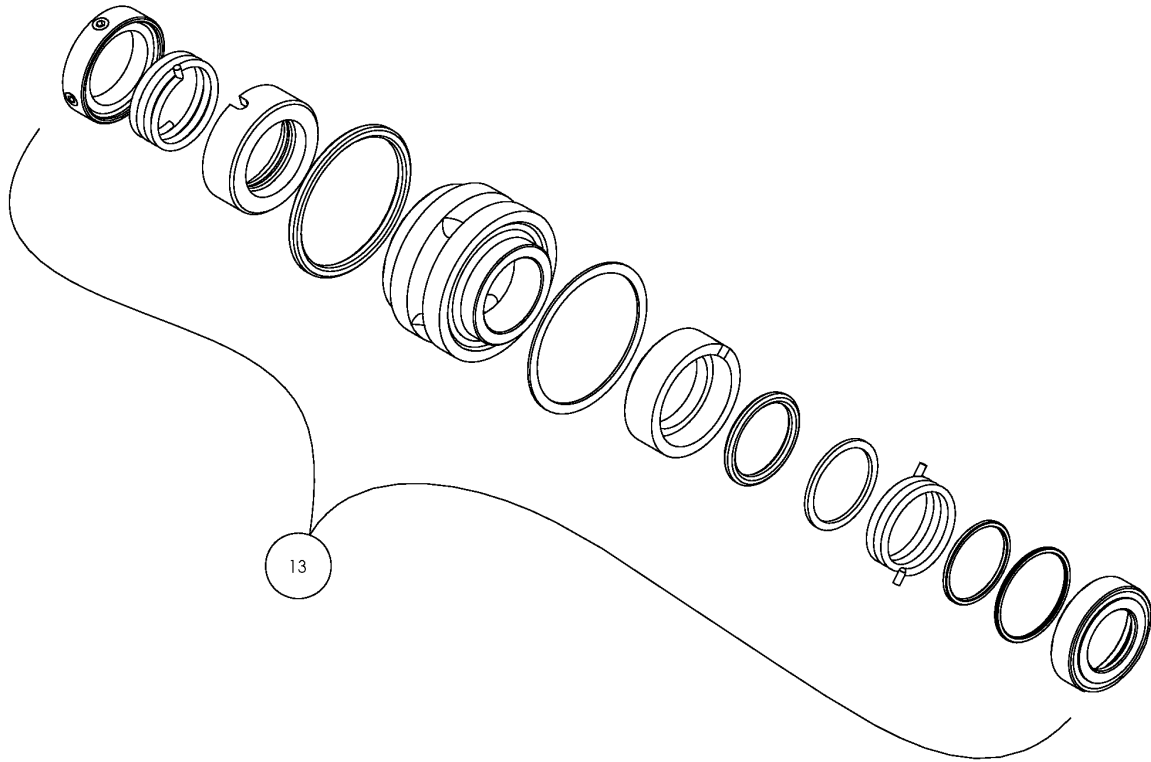


INCLUDED WITH PUMP FOR FLUSHING

Exploded View

Optional Items Shown in ITALICS

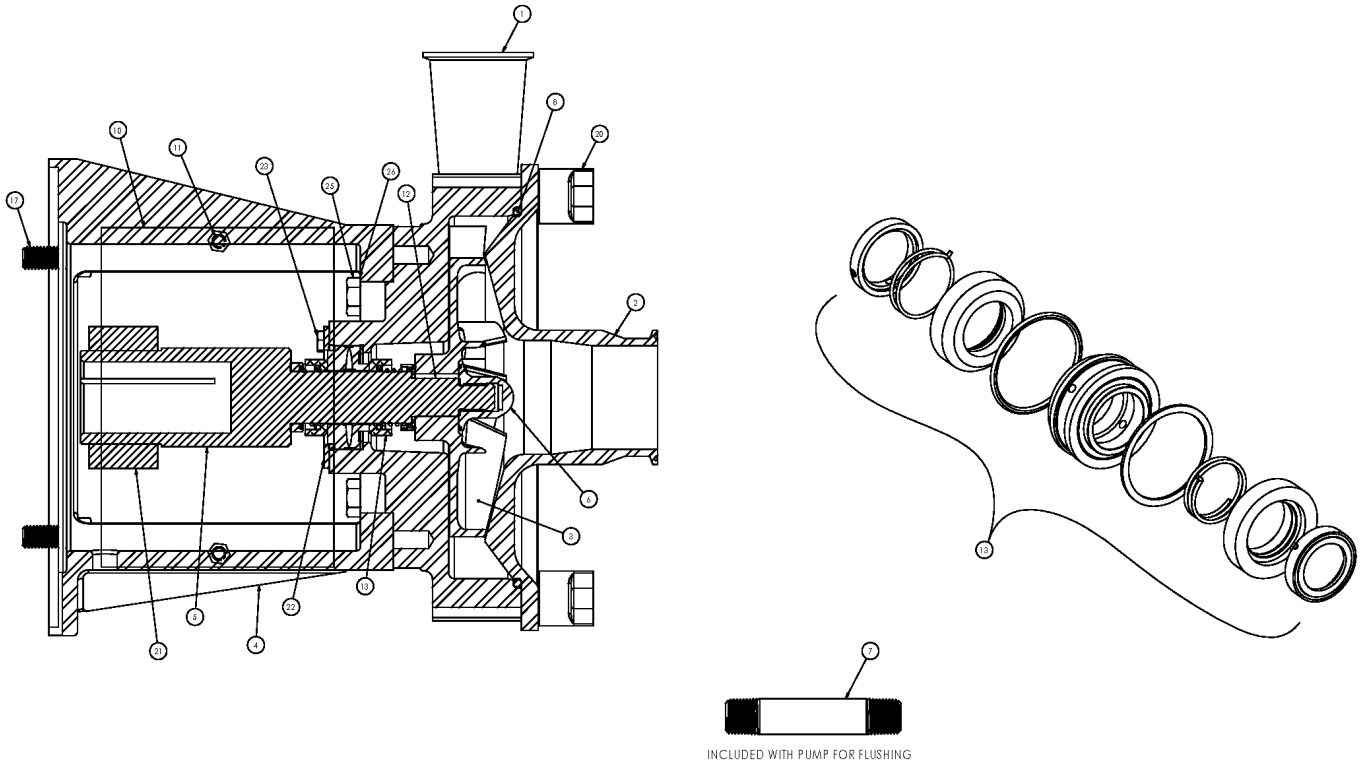
Ref #	Component Item No.	Description	Qty Per
1	SV70610001	CASING,280TSC,2 CLMP LC R132,R140	1
2	SC44620279	COVER,R32/R40/R132,2-1/2 CLMP L SERIES	1
	SC44620432	COVER,R32/40/132/140,3 CLAMP L SERIES	1
3	SI70630235	IMPELLER,R140,205/22,205MAX LC/LD/LF	1
4	SX10600120	ADAPTER,210-250TC FRAME LCX/LD	1
5	SX21000100	STUBSHAFT,250TC/280TSC,1-5/8 W/KEY LD	1
6	SI54000007	NUT,735,IMP,250TC-280TC	1
8	GX80000337	O-RING,R32/40/132/140,CVR,BUNA LC	1
	GX80000349	GASKET,R32/40/132/140,CVR,EPDM LC	1
	GX80000338	GASKET,R32/40/132/R140,CVR,VIT LC	1
10	SX10628089	GUARD,SHAFT,DBL FLNGE ADPTRS LC	2
11	GX48104020	CAPSCRW,HX,1/4-28X3/8,18-8SS HX HD	4
12	SX15000002	KEY,56-280TSC LC	1
13	GS2600128-SC	KIT,735,DBL SEAL,C/N/CE/V LD	1
	GS2600130	KIT,735,DBL SEAL,C/C/C/V LD	1
	GS2600128	KIT,735,DBL SEAL,CO/N/CE/V LD	1
17	SC1710H-SS	CAPSCRW,HX,1/2-13X1,18-8SS HX HD	4
20	SX03000020	NUT,WING LC SERIES	5
21	SX18000035	COLLAR,250TC/280TSC,SHAFT LC	1
22	SX48000022	RING,RETAINING,735,280TC 735 SEAL	1
23	GX48104020	CAPSCRW,HX,1/4-28X3/8,18-8SS HX HD	4
25	GX10610400	CAPSCRW,HX,M12-1.75X30MM,18-8S HX HD	4
26	GX10610405	WASHER,LCK,1/2,18-8SS L SERIES	4



Exploded View - Seal Only

Optional Items Shown in ITALICS

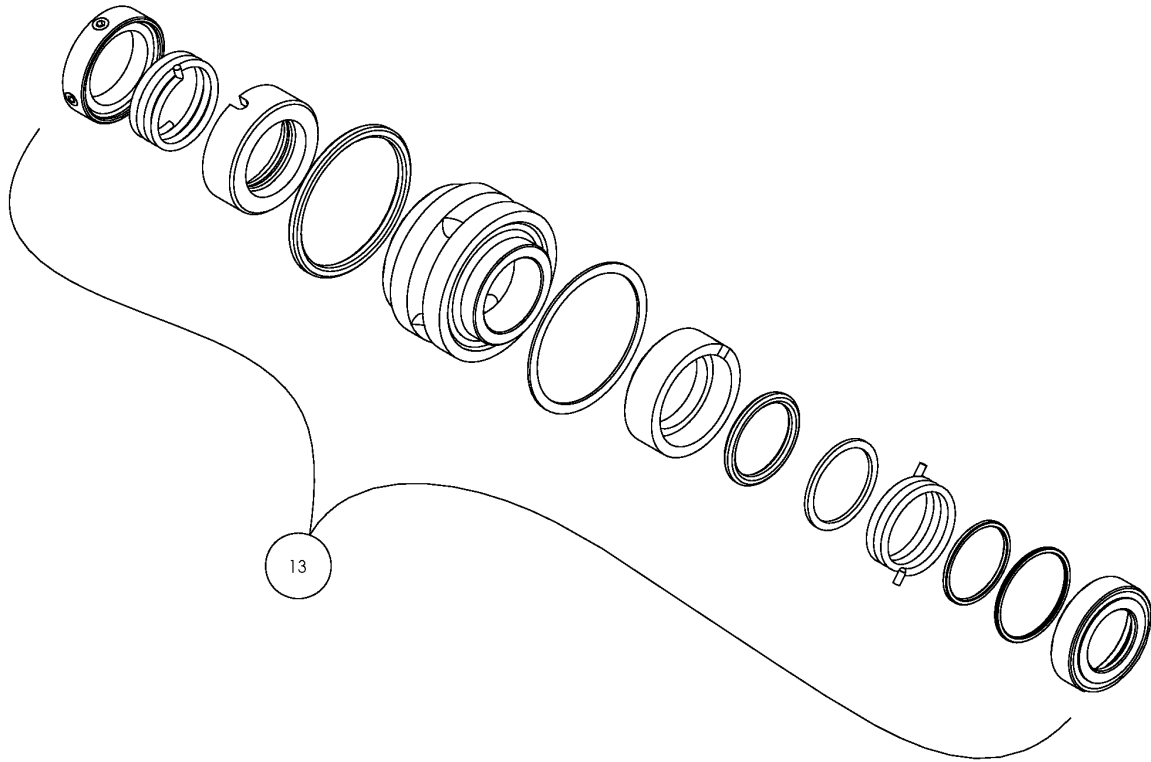
Ref #	Component Item No.	Description	Qty Per
13	GS2600128-SC	KIT,735,DBL SEAL,C/N/CE/V LD	1
	<i>GS2600130</i>	<i>KIT,735,DBL SEAL,C/C/C/V LD</i>	<i>1</i>
	<i>GS2600128</i>	<i>KIT,735,DBL SEAL,CO/N/CE/V LD</i>	<i>1</i>



Exploded View

Optional Items Shown in ITALICS

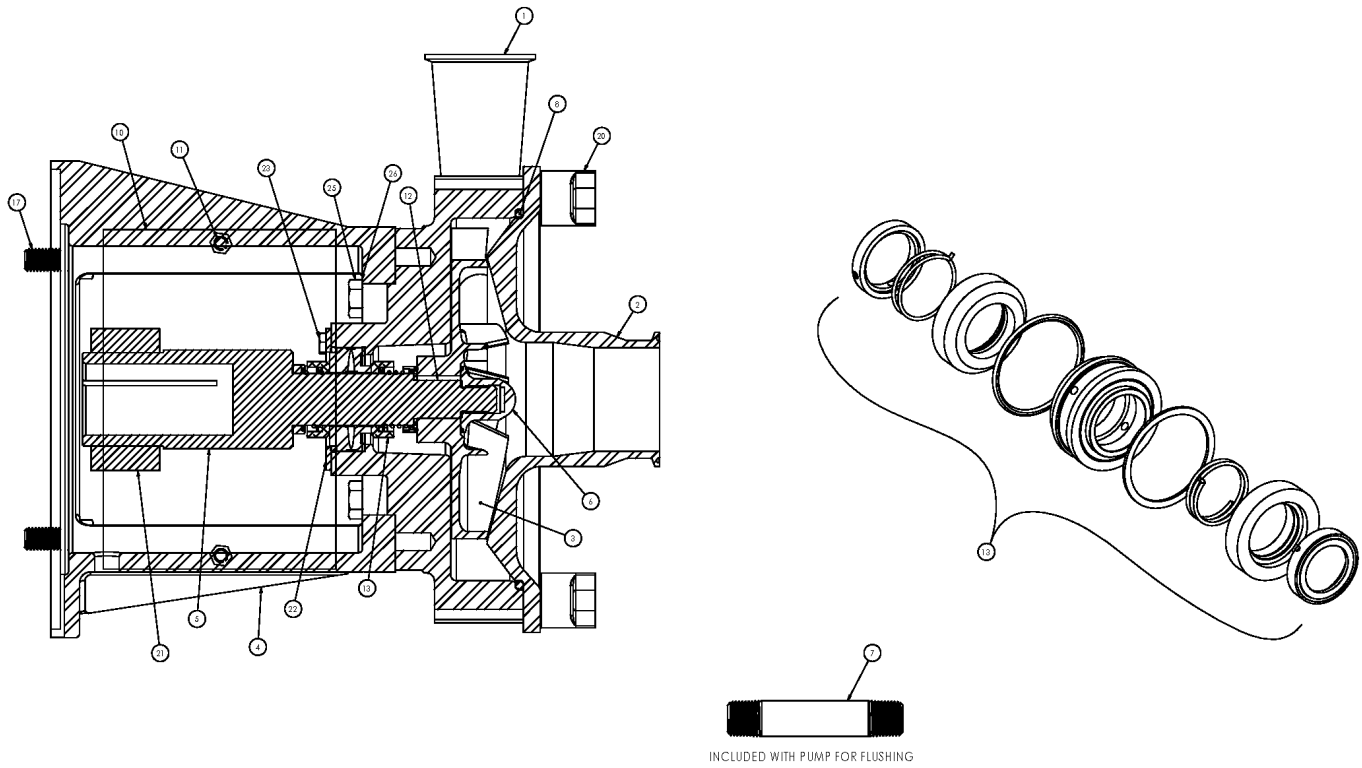
Ref #	Component Item No.	Description	Qty Per
1	SV70610001	CASING,280TSC,2 CLMP LC R132,R140	1
2	SC44620279	COVER,R32/R40/R132,2-1/2 CLMP L SERIES	1
	SC44620432	COVER,R32/40/132/140,3 CLAMP L SERIES	1
3	SI70630235	IMPELLER,R140,205/22,205MAX LC/LD/LF	1
4	SX10600089	ADAPTER,280TC/TSC FRAME LC/LD	1
5	SX21000100	STUBSHAFT,250TC/280TSC,1-5/8 W/KEY LD	1
6	SI54000007	NUT,735,IMP,250TC-280TC	1
7	SX10000007	NIPPLE,H20 FLUSH,1/8X2,304SS LD	2
8	GX80000337	O-RING,R32/40/132/140,CVR,BUNA LC	1
	GX80000349	GASKET,R32/40/132/140,CVR,EPDM LC	1
	GX80000338	GASKET,R32/40/132/R140,CVR,VIT LC	1
10	SX10628089	GUARD,SHAFT,DBL FLNGE ADPTRS LC	2
11	GX48104020	CAPSCRW,HX,1/4-28X3/8,18-8SS HX HD	4
12	SX15000002	KEY,56-280TSC LC	1
13	GS2600128-SC	KIT,735,DBL SEAL,C/N/CE/V LD	1
	GS2600130	KIT,735,DBL SEAL,C/C/C/V LD	1
	GS2600128	KIT,735,DBL SEAL,CO/N/CE/V LD	1
17	SC1710H-SS	CAPSCRW,HX,1/2-13X1,18-8SS HX HD	4
20	SX03000020	NUT,WING LC SERIES	5
21	SX18000035	COLLAR,250TC/280TSC,SHAFT LC	1
22	SX48000022	RING,RETAINING,735,280TC 735 SEAL	1
23	GX48104020	CAPSCRW,HX,1/4-28X3/8,18-8SS HX HD	4
25	GX10610400	CAPSCRW,HX,M12-1.75X30MM,18-8S HX HD	4
26	GX10610405	WASHER,LCK,1/2,18-8SS L SERIES	4



Exploded View - Seal Only

Optional Items Shown in ITALICS

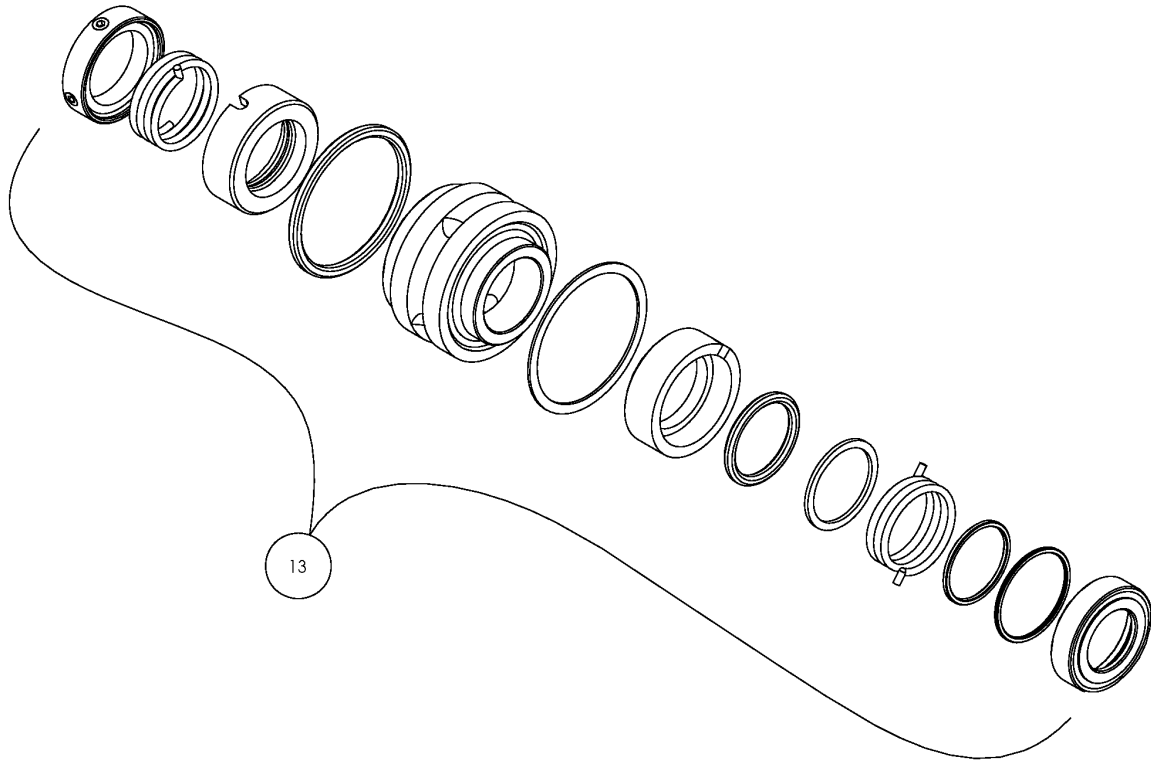
Ref #	Component Item No.	Description	Qty Per
13	GS2600128-SC	KIT,735,DBL SEAL,C/N/CE/V LD	1
	<i>GS2600130</i>	<i>KIT,735,DBL SEAL,C/C/C/V LD</i>	<i>1</i>
	<i>GS2600128</i>	<i>KIT,735,DBL SEAL,CO/N/CE/V LD</i>	<i>1</i>



Exploded View

Optional Items Shown in ITALICS

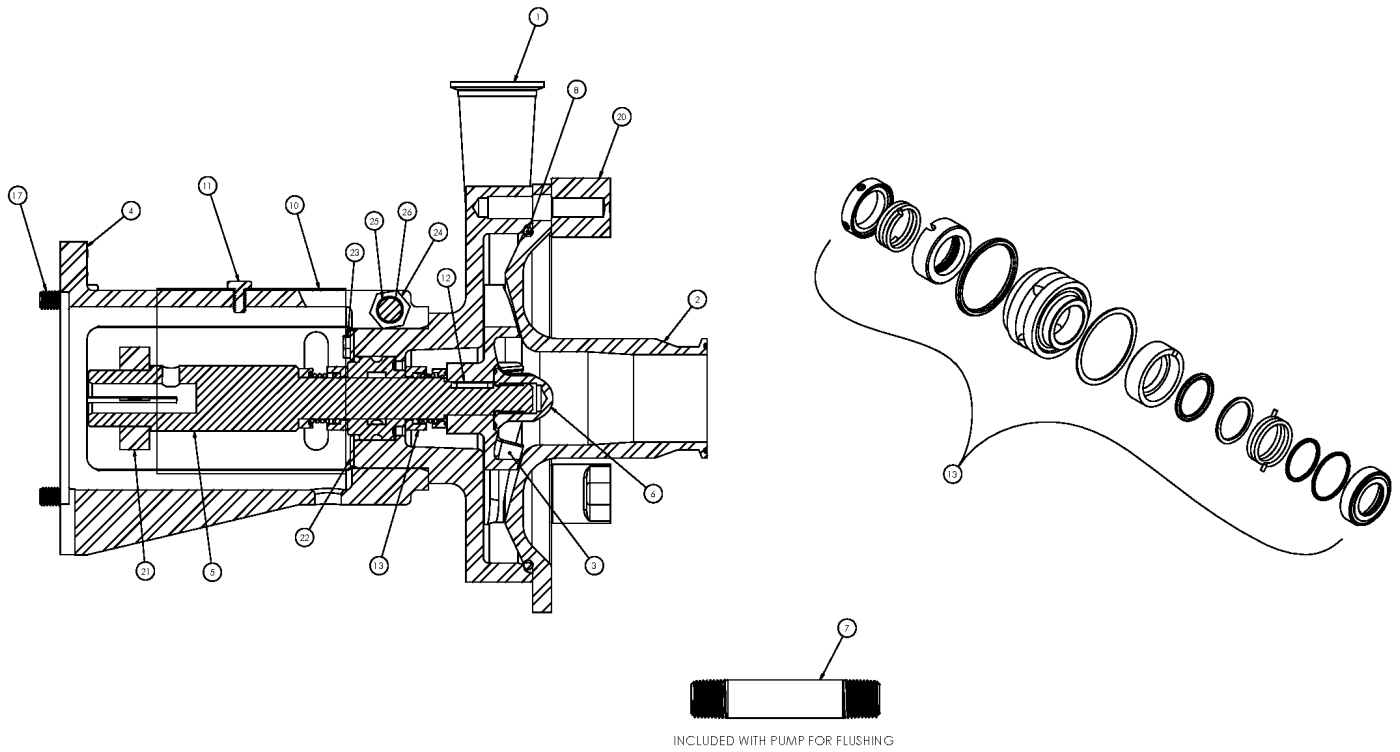
Ref #	Component Item No.	Description	Qty Per
1	SV70610003	CASING,320TSC,2 CLMP LC R132,R140	1
2	SC44620279	COVER,R32/R40/R132,2-1/2 CLMP L SERIES	1
	SC44620432	COVER,R32/40/132/140,3 CLAMP L SERIES	1
3	SI70630234	IMPELLER,R140,205/30,205MAX, EXT'D HUB LC/LD	1
4	SX10600100	ADAPTER,320TC/TSC FRAME LC/LD/LF	1
5	SX21000104	STUBSHAFT,320TSC/360TSC,1-7/8 W/KEY LD	1
6	SI54000005	NUT,735/736,IMP,EXT HUB LC	1
7	SX10000007	NIPPLE,H20 FLUSH,1/8X2,304SS LD	2
8	GX80000337	O-RING,R32/40/132/140,CVR,BUNA LC	1
	GX80000349	GASKET,R32/40/132/140,CVR,EPDM LC	1
	GX80000338	GASKET,R32/40/132/R140,CVR,VIT LC	1
10	SX10628089	GUARD,SHAFT,DBL FLNGE ADPTRS LC	2
11	GX48104020	CAPSCRW,HX,1/4-28X3/8,18-8SS HX HD	4
12	SX15000023	KEY, LC, 320TSC	1
13	GS2600131-SC	KIT,736,DBL SEAL,C/N/CE/V LD	1
	GS2600139	KIT,736,DBL SEAL,C/C/C/V LD	1
	GS2600131	KIT,736,DBL SEAL,FR/N/CE/V LD	1
17	GX5076700	CAPSCRW,HX,5/8-11X1-1/2,18-8SS HX HD	4
20	SX03000020	NUT,WING LC SERIES	5
21	SX18000027	COLLAR,280TC/320TSC,SHAFT LC	1
22	SX48000023	RING,RETAINING,736 SEAL	1
23	GX48104020	CAPSCRW,HX,1/4-28X3/8,18-8SS HX HD	4
25	GX10610400	CAPSCRW,HX,M12-1.75X30MM,18-8S HX HD	4
26	GX10610405	WASHER,LCK,1/2,18-8SS L SERIES	4



Exploded View - Seal Only

Optional Items Shown in ITALICS

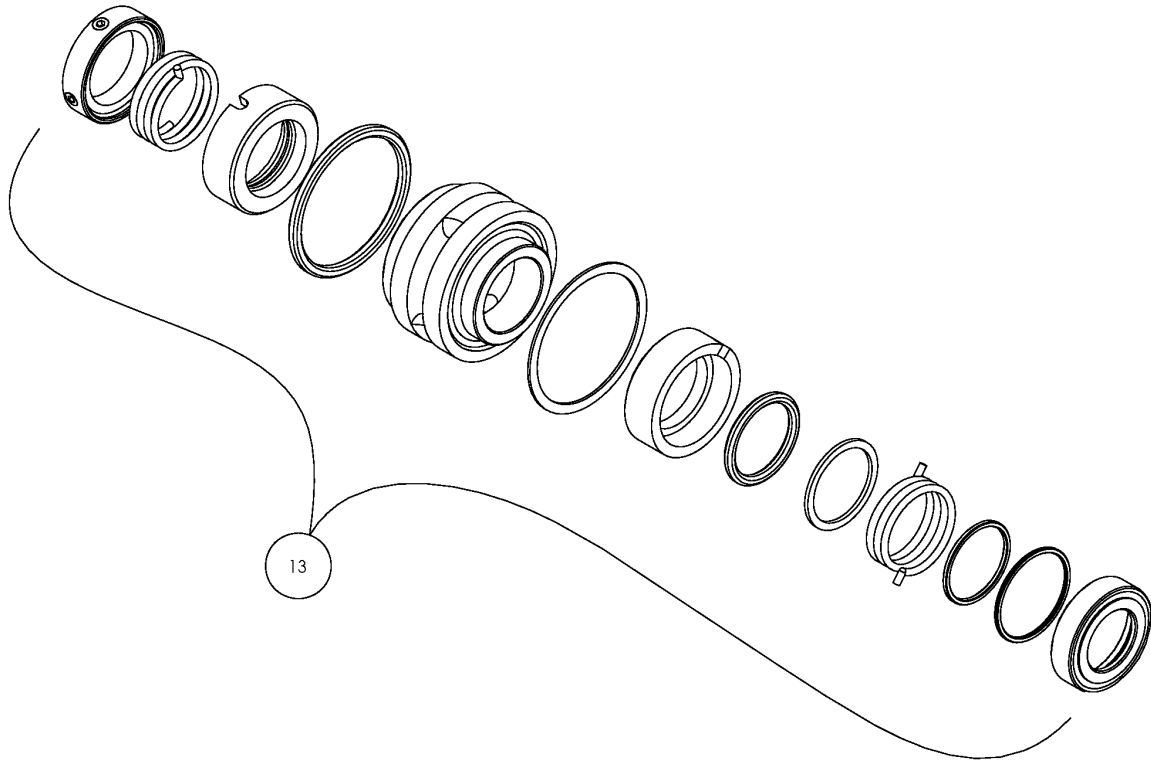
Ref #	Component Item No.	Description	Qty Per
13	GS2600131-SC	KIT,736,DBL SEAL,C/N/CE/V LD	1
	<i>GS2600139</i>	<i>KIT,736,DBL SEAL,C/C/C/V LD</i>	<i>1</i>
	<i>GS2600131</i>	<i>KIT,736,DBL SEAL,FR/N/CE/V LD</i>	<i>1</i>



Exploded View

Optional Items Shown in ITALICS

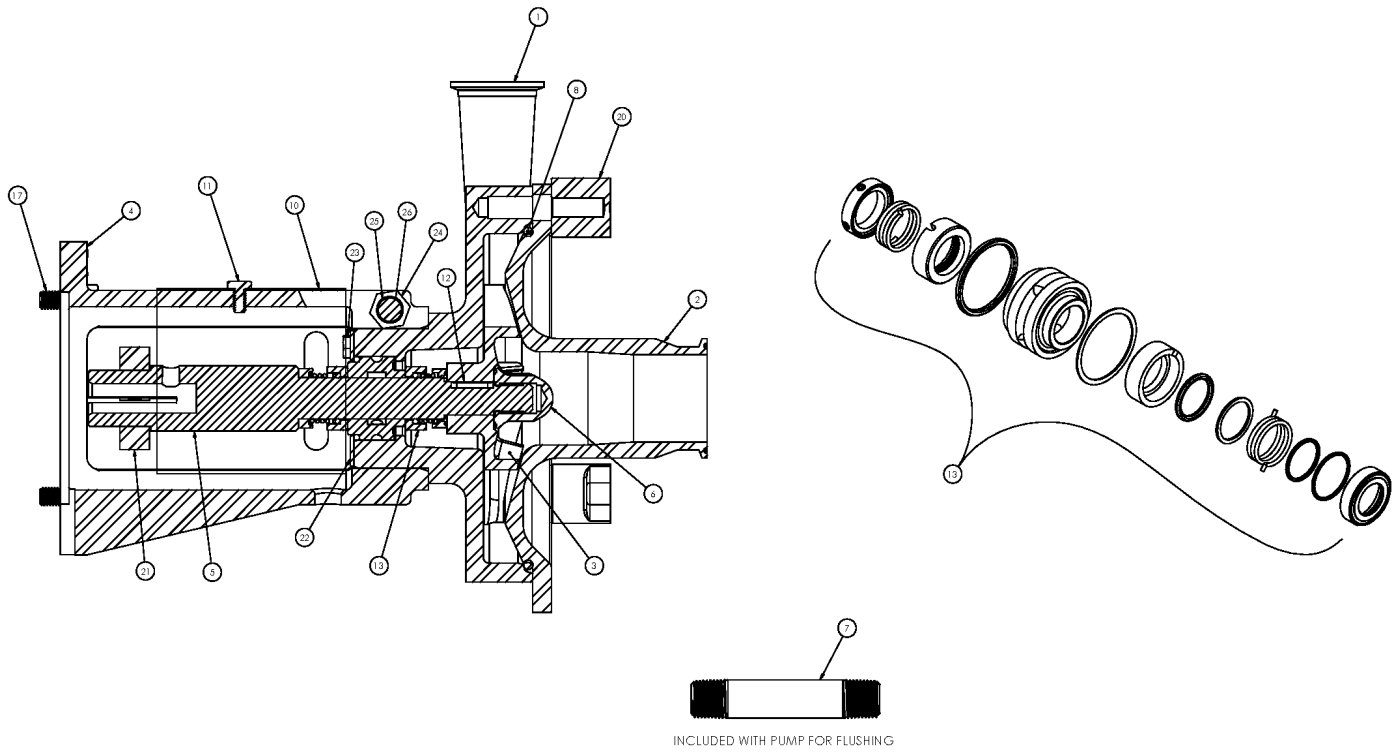
Ref #	Component Item No.	Description	Qty Per
1	SV24610000	CASING,56C-210TC,1-1/2 CLMP LC R20,R31	1
2	SC24620286	COVER,R20/R31,2 CLAMP L SERIES	1
	<i>SC24620437</i>	<i>COVER,R20/R31,2-1/2 CLAMP L SERIES</i>	1
3	SI24630051	IMPELLER,R20,145/18,145MAX LC/LD	1
4	SX10600287	ADAPTER,56C-140TC FRAME LD	1
5	SX21000117	STUBSHAFT,140TC,7/8 W/KEY LD	1
6	SI54000000	NUT,633,IMP,56C-210TC LC	1
7	SX10000007	NIPPLE,H20 FLUSH,1/8X2,304SS LD	2
8	GX80000334	GASKET,R20/31/V530,CVR,BUNA LC	1
	<i>GX80000351</i>	<i>GASKET,R20/31/V530,CVR,EPDM LC</i>	1
	<i>GX80000335</i>	<i>GASKET,R20/31/V530,CVR,VIT LC</i>	1
10	SX10614287	GUARD,SHAFT,ADPT,56-210TC,BOLT LDR/LDV	1
11	GX48104020	CAPSCRW,HX,1/4-28X3/8,18-8SS HX HD	1
12	SX15000002	KEY,56-280TSC LC	1
13	GS2600000-SC	KIT,633,DBL SEAL,C/N/CE/V LD	1
	<i>GS2600006</i>	<i>KIT,633,DBL SEAL,C/C/C/V LD</i>	1
	<i>GS2600140</i>	<i>KIT,633,DBL SEAL,FR/C/CE/V LD</i>	1
17	GX5077100	CAPSCRW,HX,3/8-16X1,18-8SS HX HD	4
20	SX03000020	NUT,WING LC SERIES	3
21	SX18000013	COLLAR,56C/140TC,SHAFT L SEE ITEM NOTES	1
22	SX48000021	RING,RETAINING,633 SEAL	1
23	GX48104020	CAPSCRW,HX,1/4-28X3/8,18-8SS HX HD	4
24	GX10610105	NUT,HEX,1/2-13,18-8SS L SERIES	1
25	GX10610100	CAPSCRW,HX,1/2-13X3-1/2,18-8SS HX HD	1
26	GX10610405	WASHER,LCK,1/2,18-8SS L SERIES	1



Exploded View - Seal Only

Optional Items Shown in ITALICS

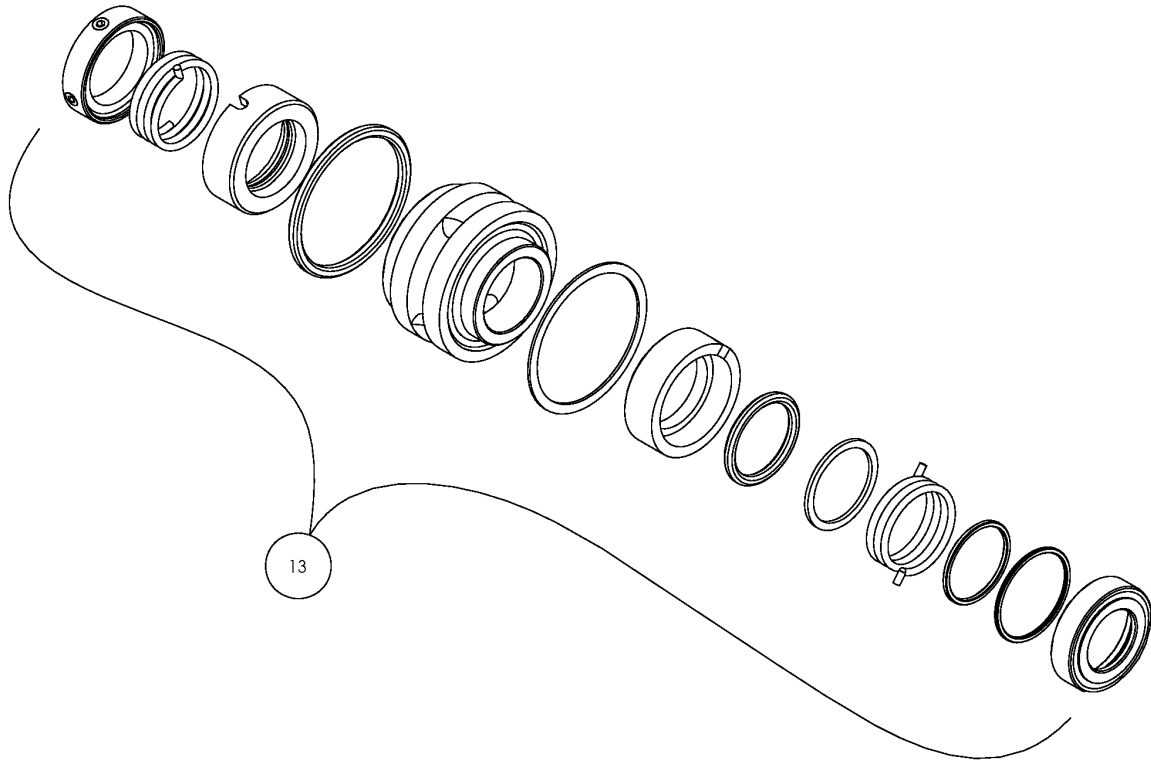
Ref #	Component Item No.	Description	Qty Per
13	GS2600000-SC	KIT,633,DBL SEAL,C/N/CE/V LD	1
	<i>GS2600006</i>	<i>KIT,633,DBL SEAL,C/C/C/V LD</i>	<i>1</i>
	<i>GS2600140</i>	<i>KIT,633,DBL SEAL,FR/C/CE/V LD</i>	<i>1</i>



Exploded View

Optional Items Shown in ITALICS

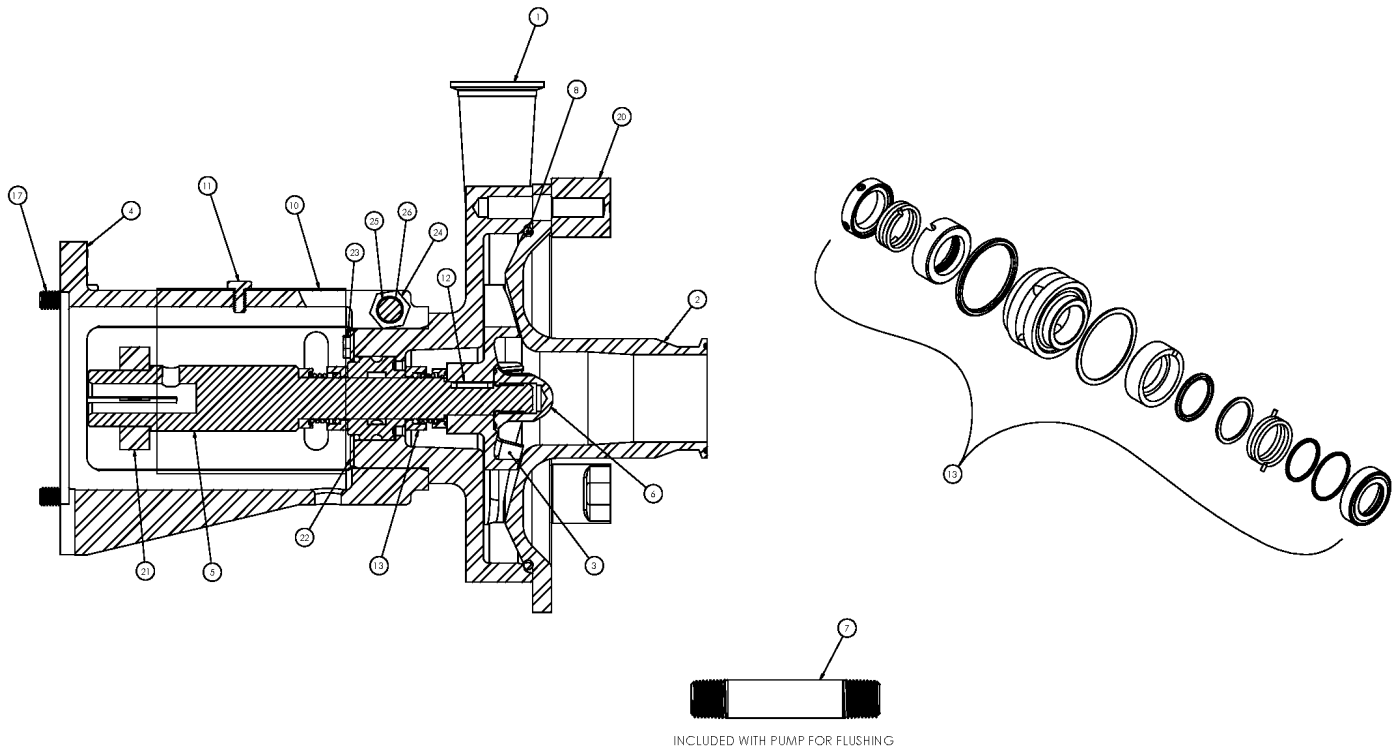
Ref #	Component Item No.	Description	Qty Per
1	SV24610000	CASING,56C-210TC,1-1/2 CLMP LC R20,R31	1
2	SC24620286	COVER,R20/R31,2 CLAMP L SERIES	1
	SC24620437	COVER,R20/R31,2-1/2 CLAMP L SERIES	1
3	SI24630051	IMPELLER,R20,145/18,145MAX LC/LD	1
4	SX10600207	ADAPTER,180-210TC FRAME LD	1
5	SX21000118	STUBSHAFT,180TC,1-1/8 W/KEY LD	1
6	SI54000000	NUT,633,IMP,56C-210TC LC	1
7	SX10000007	NIPPLE,H20 FLUSH,1/8X2,304SS LD	2
8	GX80000334	GASKET,R20/31/V530,CVR,BUNA LC	1
	GX80000351	GASKET,R20/31/V530,CVR,EPDM LC	1
	GX80000335	GASKET,R20/31/V530,CVR,VIT LC	1
10	SX10614287	GUARD,SHAFT,ADPT,56-210TC,BOLT LDR/LDV	1
11	GX48104020	CAPSCRW,HX,1/4-28X3/8,18-8SS HX HD	1
12	SX15000002	KEY,56-280TSC LC	1
13	GS2600000-SC	KIT,633,DBL SEAL,C/N/CE/V LD	1
	GS2600006	KIT,633,DBL SEAL,C/C/C/V LD	1
	GS2600140	KIT,633,DBL SEAL,FR/C/CE/V LD	1
17	SC1710H-SS	CAPSCRW,HX,1/2-13X1,18-8SS HX HD	4
20	SX03000020	NUT,WING LC SERIES	3
21	SX18000014	COLLAR,180TC,SHAFT LC	1
22	SX48000021	RING,RETAINING,633 SEAL	1
23	GX48104020	CAPSCRW,HX,1/4-28X3/8,18-8SS HX HD	4
24	GX10610105	NUT,HEX,1/2-13,18-8SS L SERIES	1
25	GX10610100	CAPSCRW,HX,1/2-13X3-1/2,18-8SS HX HD	1
26	GX10610405	WASHER,LCK,1/2,18-8SS L SERIES	1



Exploded View - Seal Only

Optional Items Shown in ITALICS

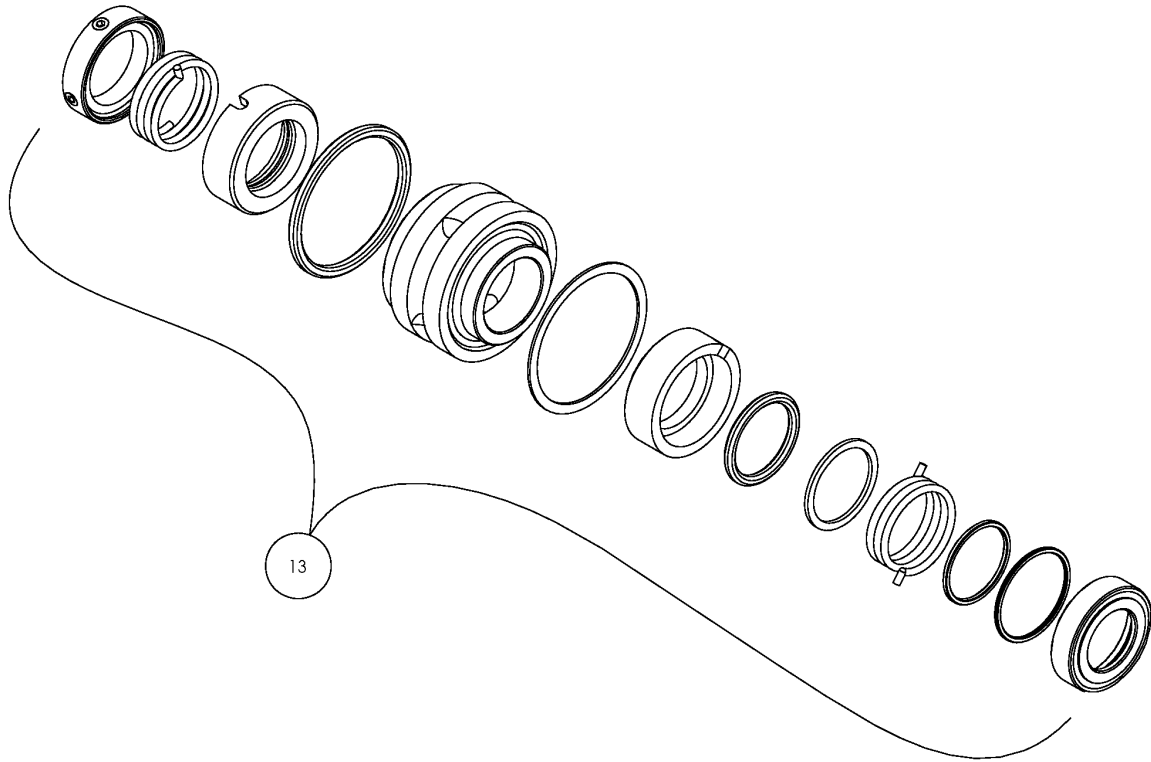
Ref #	Component Item No.	Description	Qty Per
13	GS2600000-SC	KIT,633,DBL SEAL,C/N/CE/V LD	1
	<i>GS2600006</i>	<i>KIT,633,DBL SEAL,C/C/C/V LD</i>	<i>1</i>
	<i>GS2600140</i>	<i>KIT,633,DBL SEAL,FR/C/CE/V LD</i>	<i>1</i>



Exploded View

Optional Items Shown in ITALICS

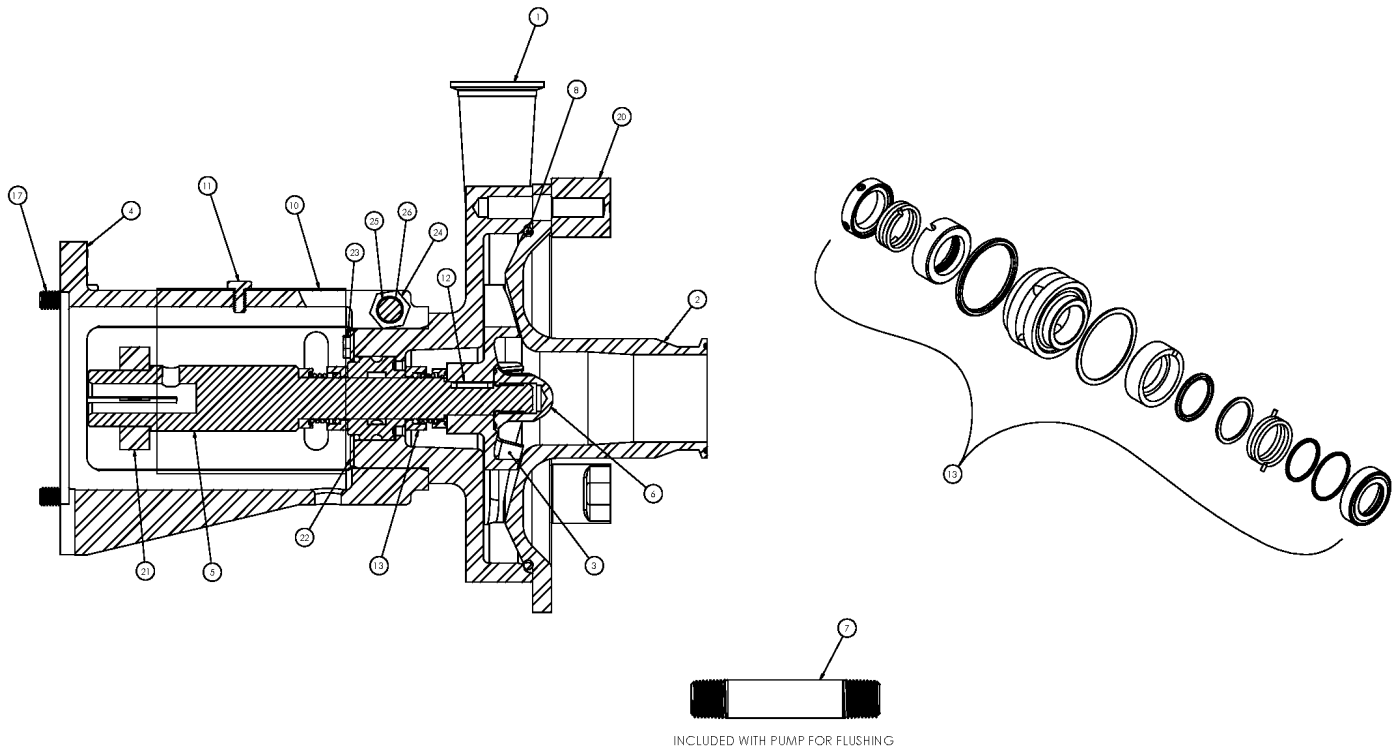
Ref #	Component Item No.	Description	Qty Per
1	SV24610000	CASING,56C-210TC,1-1/2 CLMP LC R20,R31	1
2	SC24620286	COVER,R20/R31,2 CLAMP L SERIES	1
	SC24620437	COVER,R20/R31,2-1/2 CLAMP L SERIES	1
3	SI24630051	IMPELLER,R20,145/18,145MAX LC/LD	1
4	SX10600207	ADAPTER,180-210TC FRAME LD	1
5	SX21000119	STUBSHAFT,210TC,1-3/8 W/KEY LD	1
6	SI54000000	NUT,633,IMP,56C-210TC LC	1
7	SX10000007	NIPPLE,H20 FLUSH,1/8X2,304SS LD	2
8	GX80000334	GASKET,R20/31/V530,CVR,BUNA LC	1
	GX80000351	GASKET,R20/31/V530,CVR,EPDM LC	1
	GX80000335	GASKET,R20/31/V530,CVR,VIT LC	1
10	SX10614287	GUARD,SHAFT,ADPT,56-210TC,BOLT LDR/LDV	1
11	GX48104020	CAPSCRW,HX,1/4-28X3/8,18-8SS HX HD	1
12	SX15000002	KEY,56-280TSC LC	1
13	GS2600000-SC	KIT,633,DBL SEAL,C/N/CE/V LD	1
	GS2600006	KIT,633,DBL SEAL,C/C/C/V LD	1
	GS2600140	KIT,633,DBL SEAL,FR/C/CE/V LD	1
17	SC1710H-SS	CAPSCRW,HX,1/2-13X1,18-8SS HX HD	4
20	SX03000020	NUT,WING LC SERIES	3
21	SX18000015	COLLAR,210TC,SHAFT LC	1
22	SX48000021	RING,RETAINING,633 SEAL	1
23	GX48104020	CAPSCRW,HX,1/4-28X3/8,18-8SS HX HD	4
24	GX10610105	NUT,HEX,1/2-13,18-8SS L SERIES	1
25	GX10610100	CAPSCRW,HX,1/2-13X3-1/2,18-8SS HX HD	1
26	GX10610405	WASHER,LCK,1/2,18-8SS L SERIES	1



Exploded View - Seal Only

Optional Items Shown in ITALICS

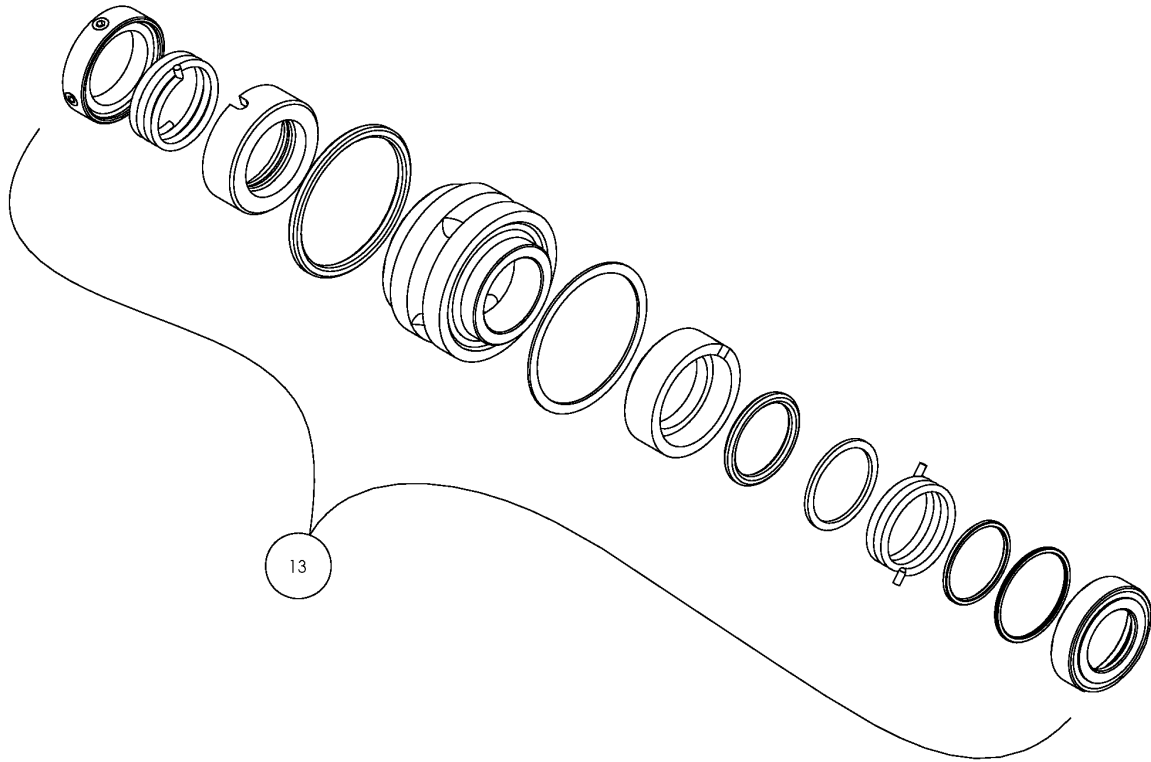
Ref #	Component Item No.	Description	Qty Per
13	GS2600000-SC	KIT,633,DBL SEAL,C/N/CE/V LD	1
	<i>GS2600006</i>	<i>KIT,633,DBL SEAL,C/C/C/V LD</i>	<i>1</i>
	<i>GS2600140</i>	<i>KIT,633,DBL SEAL,FR/C/CE/V LD</i>	<i>1</i>



Exploded View

Optional Items Shown in ITALICS

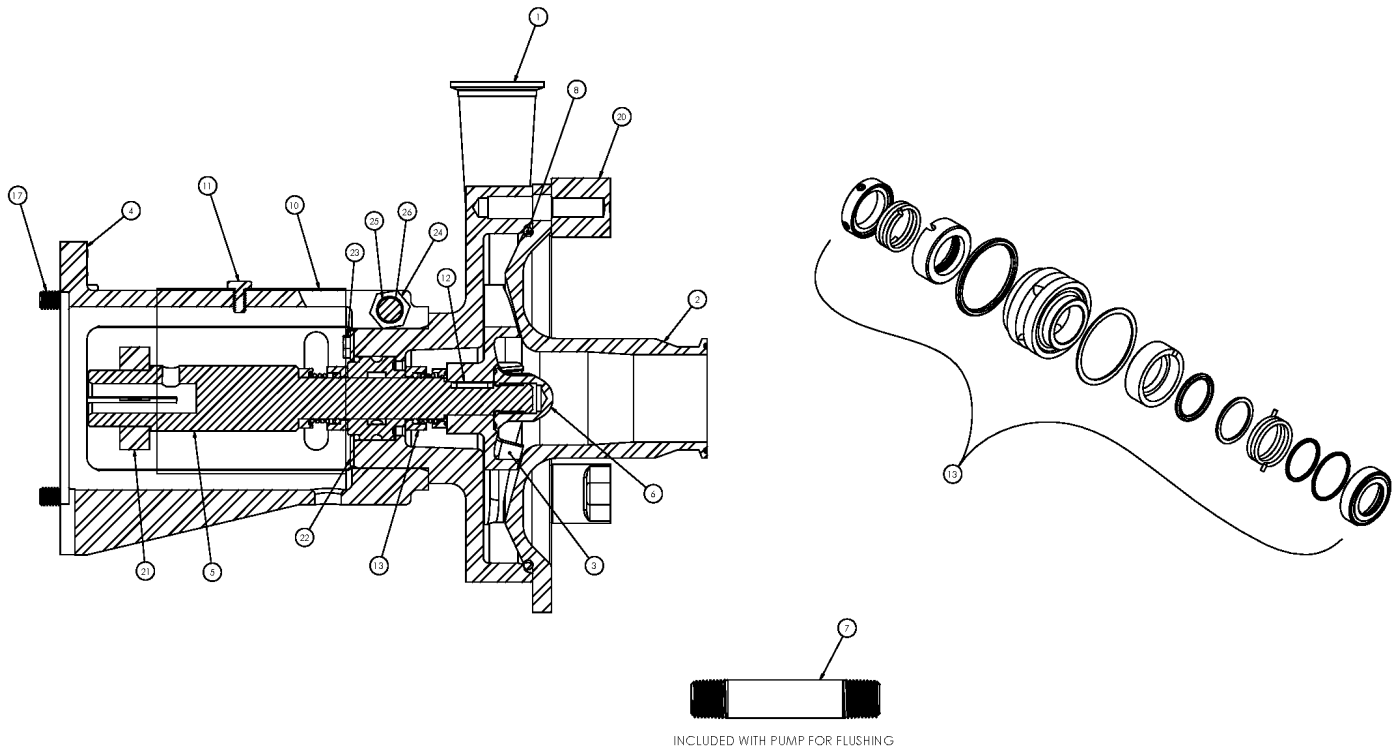
Ref #	Component Item No.	Description	Qty Per
1	SV24610000	CASING,56C-210TC,1-1/2 CLMP LC R20,R31	1
2	SC24620286	COVER,R20/R31,2 CLAMP L SERIES	1
	SC24620437	COVER,R20/R31,2-1/2 CLAMP L SERIES	1
3	SI24632251	IMPELLER,R20 E,170/18,170MAX LC	1
4	SX10600207	ADAPTER,180-210TC FRAME LD	1
5	SX21000119	STUBSHAFT,210TC,1-3/8 W/KEY LD	1
6	SI54000000	NUT,633,IMP,56C-210TC LC	1
7	SX10000007	NIPPLE,H20 FLUSH,1/8X2,304SS LD	2
8	GX80000334	GASKET,R20/31/V530,CVR,BUNA LC	1
	GX80000351	GASKET,R20/31/V530,CVR,EPDM LC	1
	GX80000335	GASKET,R20/31/V530,CVR,VIT LC	1
10	SX10614287	GUARD,SHAFT,ADPT,56-210TC,BOLT LDR/LDV	1
11	GX48104020	CAPSCRW,HX,1/4-28X3/8,18-8SS HX HD	1
12	SX15000002	KEY,56-280TSC LC	1
13	GS2600000-SC	KIT,633,DBL SEAL,C/N/CE/V LD	1
	GS2600006	KIT,633,DBL SEAL,C/C/C/V LD	1
	GS2600140	KIT,633,DBL SEAL,FR/C/CE/V LD	1
17	SC1710H-SS	CAPSCRW,HX,1/2-13X1,18-8SS HX HD	4
20	SX03000020	NUT,WING LC SERIES	3
21	SX18000015	COLLAR,210TC,SHAFT LC	1
22	SX48000021	RING,RETAINING,633 SEAL	1
23	GX48104020	CAPSCRW,HX,1/4-28X3/8,18-8SS HX HD	4
24	GX10610105	NUT,HEX,1/2-13,18-8SS L SERIES	1
25	GX10610100	CAPSCRW,HX,1/2-13X3-1/2,18-8SS HX HD	1
26	GX10610405	WASHER,LCK,1/2,18-8SS L SERIES	1



Exploded View - Seal Only

Optional Items Shown in ITALICS

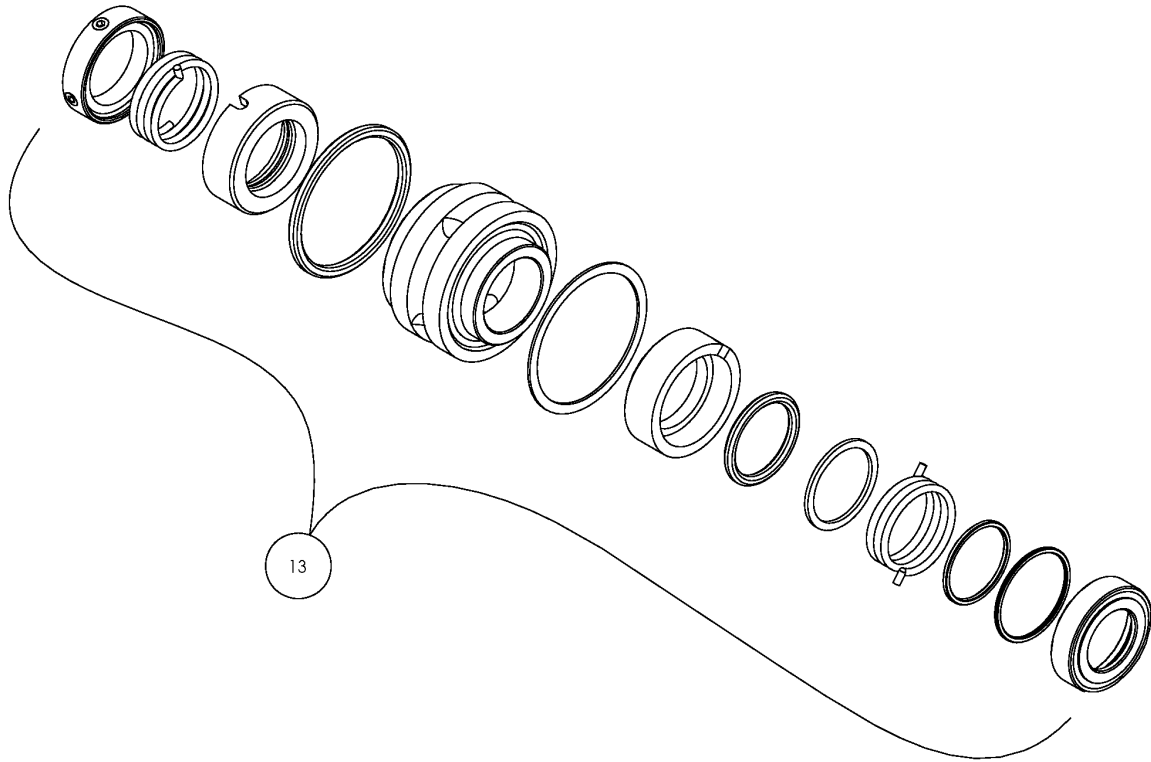
Ref #	Component Item No.	Description	Qty Per
13	GS2600000-SC	KIT,633,DBL SEAL,C/N/CE/V LD	1
	<i>GS2600006</i>	<i>KIT,633,DBL SEAL,C/C/C/V LD</i>	<i>1</i>
	<i>GS2600140</i>	<i>KIT,633,DBL SEAL,FR/C/CE/V LD</i>	<i>1</i>



Exploded View

Optional Items Shown in ITALICS

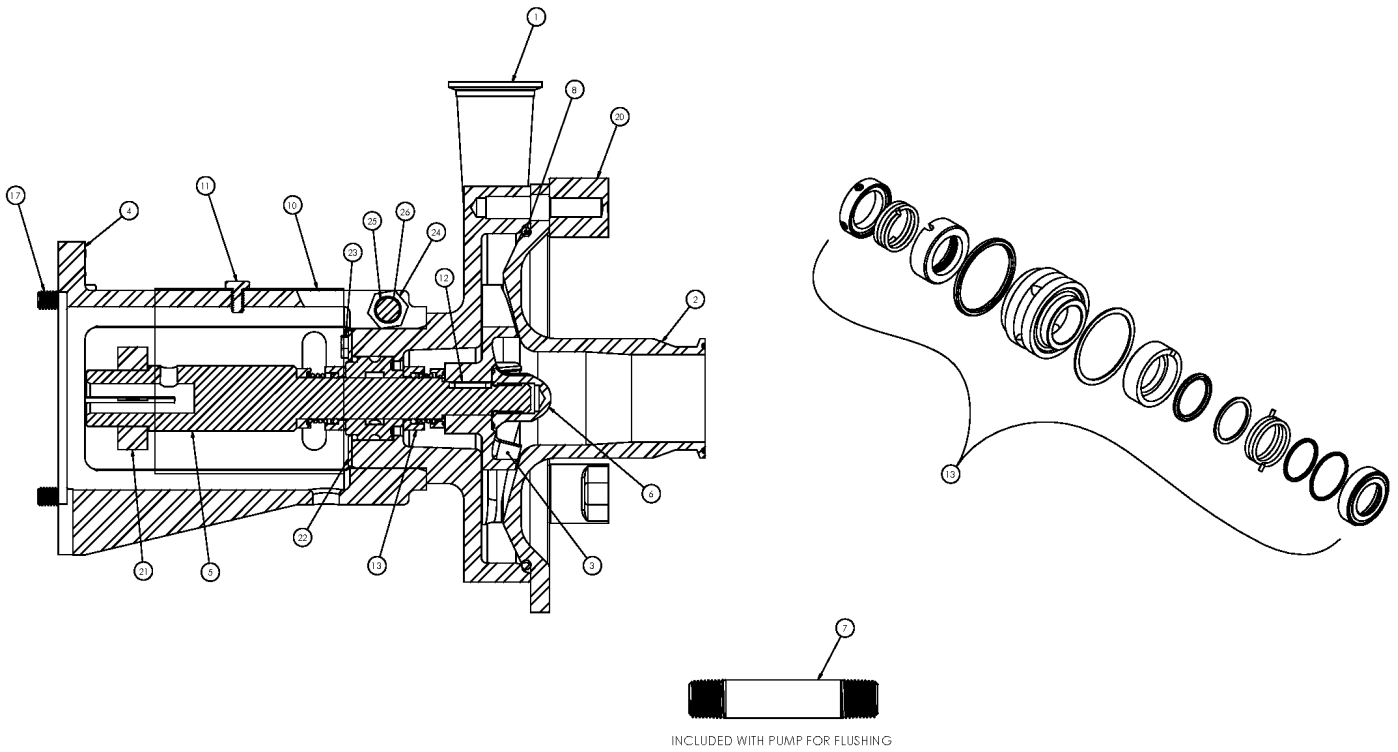
Ref #	Component Item No.	Description	Qty Per
1	SV24610000	CASING,56C-210TC,1-1/2 CLMP LC R20,R31	1
2	SC24620286	COVER,R20/R31,2 CLAMP L SERIES	1
	<i>SC24620437</i>	<i>COVER,R20/R31,2-1/2 CLAMP L SERIES</i>	<i>1</i>
3	SI24630065	IMPELLER,R31,175/18,175MAX LC/LD	1
4	SX10600287	ADAPTER,56C-140TC FRAME LD	1
5	SX21000117	STUBSHAFT,140TC,7/8 W/KEY LD	1
6	SI54000000	NUT,633,IMP,56C-210TC LC	1
7	SX10000007	NIPPLE,H20 FLUSH,1/8X2,304SS LD	2
8	GX80000334	GASKET,R20/31/V530,CVR,BUNA LC	1
	<i>GX80000351</i>	<i>GASKET,R20/31/V530,CVR,EPDM LC</i>	<i>1</i>
	<i>GX80000335</i>	<i>GASKET,R20/31/V530,CVR,VIT LC</i>	<i>1</i>
10	SX10614287	GUARD,SHAFT,ADPT,56-210TC,BOLT LDR/LDV	1
11	GX48104020	CAPSCRW,HX,1/4-28X3/8,18-8SS HX HD	1
12	SX15000002	KEY,56-280TSC LC	1
13	GS2600000-SC	KIT,633,DBL SEAL,C/N/CE/V LD	1
	<i>GS2600006</i>	<i>KIT,633,DBL SEAL,C/C/C/V LD</i>	<i>1</i>
	<i>GS2600140</i>	<i>KIT,633,DBL SEAL,FR/C/CE/V LD</i>	<i>1</i>
17	GX5077100	CAPSCRW,HX,3/8-16X1,18-8SS HX HD	4
20	SX03000020	NUT,WING LC SERIES	3
21	SX18000013	COLLAR,56C/140TC,SHAFT L SEE ITEM NOTES	1
22	SX48000021	RING,RETAINING,633 SEAL	1
23	GX48104020	CAPSCRW,HX,1/4-28X3/8,18-8SS HX HD	4
24	GX10610105	NUT,HEX,1/2-13,18-8SS L SERIES	1
25	GX10610100	CAPSCRW,HX,1/2-13X3-1/2,18-8SS HX HD	1
26	GX10610405	WASHER,LCK,1/2,18-8SS L SERIES	1



Exploded View - Seal Only

Optional Items Shown in ITALICS

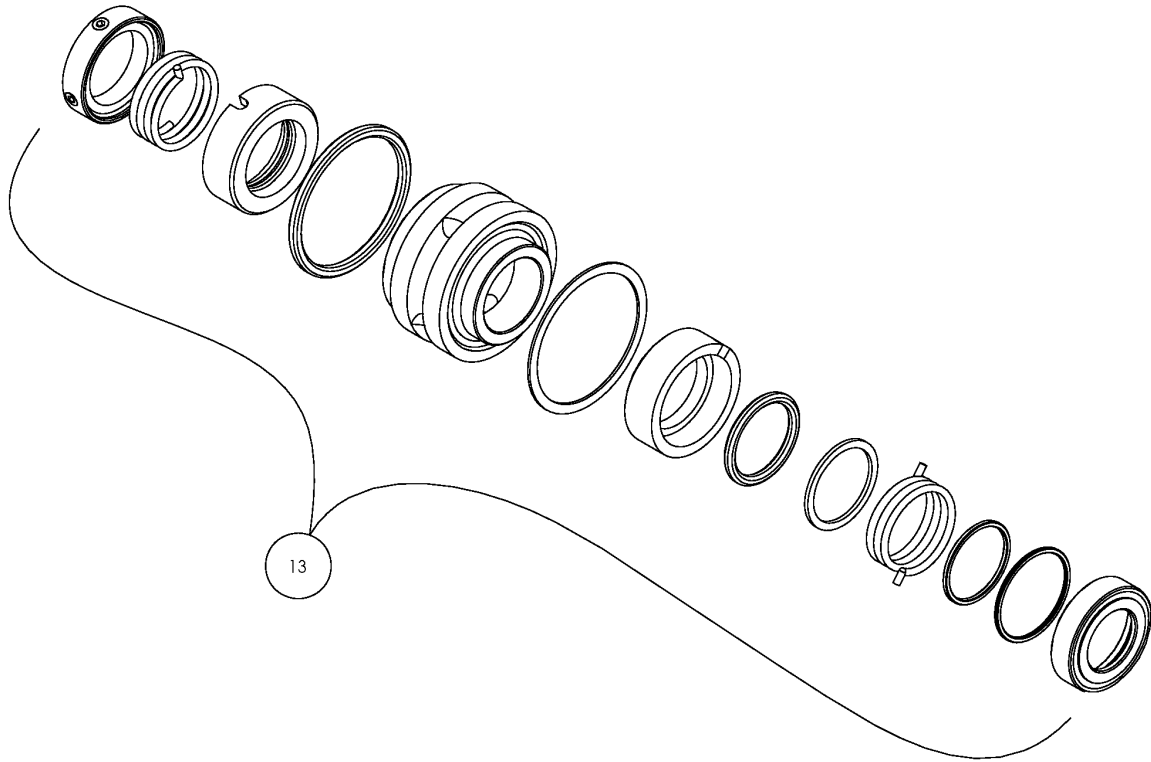
Ref #	Component Item No.	Description	Qty Per
13	GS2600000-SC	KIT,633,DBL SEAL,C/N/CE/V LD	1
	<i>GS2600006</i>	<i>KIT,633,DBL SEAL,C/C/C/V LD</i>	<i>1</i>
	<i>GS2600140</i>	<i>KIT,633,DBL SEAL,FR/C/CE/V LD</i>	<i>1</i>



Exploded View

Optional Items Shown in ITALICS

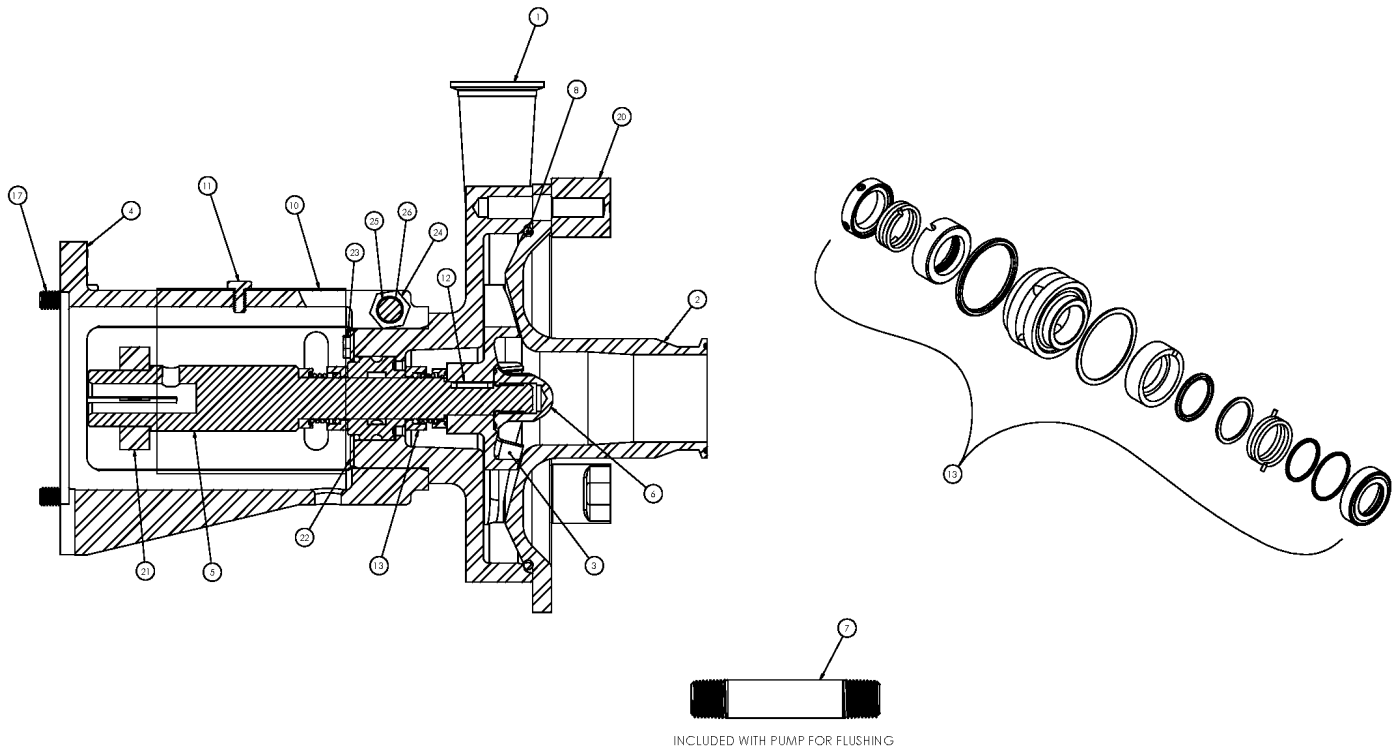
Ref #	Component Item No.	Description	Qty Per
1	SV44610001	CASING,140-210TC,2 CLMP LC R32,R40	1
2	SC44620279	COVER,R32/R40/R132,2-1/2 CLMP L SERIES	1
	SC44620432	COVER,R32/40/132/140,3 CLAMP L SERIES	1
3	SI44630268	IMPELLER,R40,205/18,205MAX LC/LD	1
4	SX10600207	ADAPTER,180-210TC FRAME LD	1
5	SX21000118	STUBSHAFT,180TC,1-1/8 W/KEY LD	1
6	SI54000000	NUT,633,IMP,56C-210TC LC	1
7	SX10000007	NIPPLE,H20 FLUSH,1/8X2,304SS LD	2
8	GX80000334	GASKET,R20/31/V530,CVR,BUNA LC	1
	GX80000351	GASKET,R20/31/V530,CVR,EPDM LC	1
	GX80000335	GASKET,R20/31/V530,CVR,VIT LC	1
10	SX10614287	GUARD,SHAFT,ADPT,56-210TC,BOLT LDR/LDV	1
11	GX48104020	CAPSCRW,HX,1/4-28X3/8,18-8SS HX HD	1
12	SX15000002	KEY,56-280TSC LC	1
13	GS2600000-SC	KIT,633,DBL SEAL,C/N/CE/V LD	1
	GS2600006	KIT,633,DBL SEAL,C/C/C/V LD	1
	GS2600140	KIT,633,DBL SEAL,FR/C/CE/V LD	1
17	SC1710H-SS	CAPSCRW,HX,1/2-13X1,18-8SS HX HD	4
20	SX03000020	NUT,WING LC SERIES	5
21	SX18000014	COLLAR,180TC,SHAFT LC	1
22	SX48000021	RING,RETAINING,633 SEAL	1
23	GX48104020	CAPSCRW,HX,1/4-28X3/8,18-8SS HX HD	4
24	GX10610105	NUT,HEX,1/2-13,18-8SS L SERIES	1
25	GX10610100	CAPSCRW,HX,1/2-13X3-1/2,18-8SS HX HD	1
26	GX10610405	WASHER,LCK,1/2,18-8SS L SERIES	1



Exploded View - Seal Only

Optional Items Shown in ITALICS

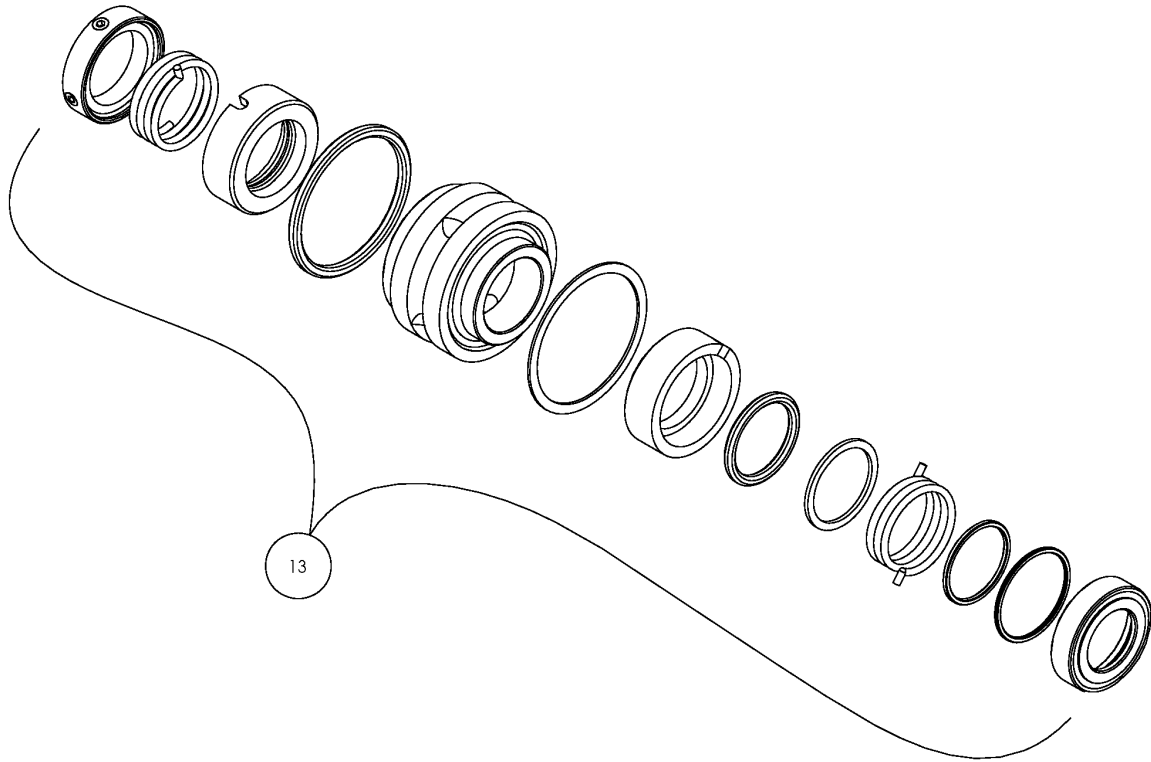
Ref #	Component Item No.	Description	Qty Per
13	GS2600000-SC	KIT,633,DBL SEAL,C/N/CE/V LD	1
	<i>GS2600006</i>	<i>KIT,633,DBL SEAL,C/C/C/V LD</i>	<i>1</i>
	<i>GS2600140</i>	<i>KIT,633,DBL SEAL,FR/C/CE/V LD</i>	<i>1</i>



Exploded View

Optional Items Shown in ITALICS

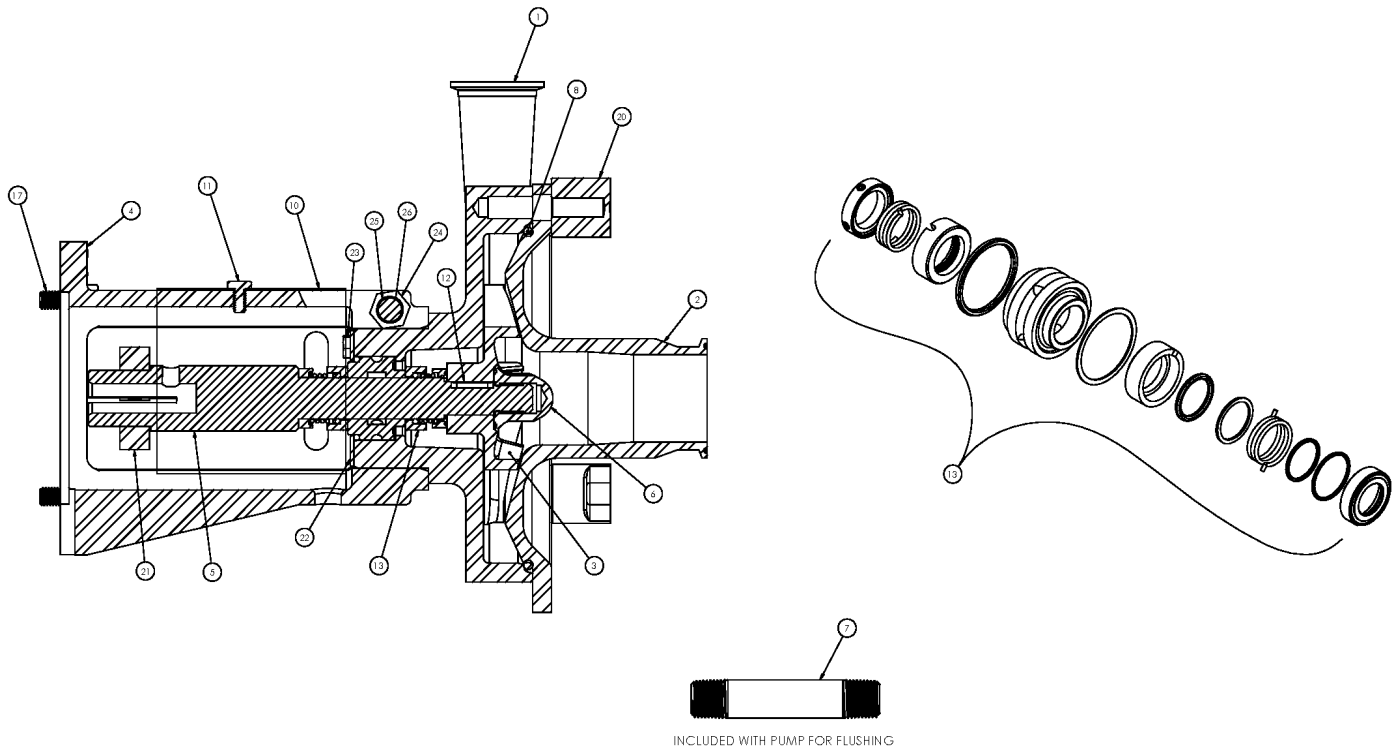
Ref #	Component Item No.	Description	Qty Per
1	SV24610000	CASING,56C-210TC,1-1/2 CLMP LC R20,R31	1
2	SC24620286	COVER,R20/R31,2 CLAMP L SERIES	1
	SC24620437	COVER,R20/R31,2-1/2 CLAMP L SERIES	1
3	SI24630065	IMPELLER,R31,175/18,175MAX LC/LD	1
4	SX10600207	ADAPTER,180-210TC FRAME LD	1
5	SX21000119	STUBSHAFT,210TC,1-3/8 W/KEY LD	1
6	SI54000000	NUT,633,IMP,56C-210TC LC	1
7	SX10000007	NIPPLE,H20 FLUSH,1/8X2,304SS LD	2
8	GX80000334	GASKET,R20/31/V530,CVR,BUNA LC	1
	GX80000351	GASKET,R20/31/V530,CVR,EPDM LC	1
	GX80000335	GASKET,R20/31/V530,CVR,VIT LC	1
10	SX10614287	GUARD,SHAFT,ADPT,56-210TC,BOLT LDR/LDV	1
11	GX48104020	CAPSCRW,HX,1/4-28X3/8,18-8SS HX HD	1
12	SX15000002	KEY,56-280TSC LC	1
13	GS2600000-SC	KIT,633,DBL SEAL,C/N/CE/V LD	1
	GS2600006	KIT,633,DBL SEAL,C/C/C/V LD	1
	GS2600140	KIT,633,DBL SEAL,FR/C/CE/V LD	1
17	SC1710H-SS	CAPSCRW,HX,1/2-13X1,18-8SS HX HD	4
20	SX03000020	NUT,WING LC SERIES	3
21	SX18000015	COLLAR,210TC,SHAFT LC	1
22	SX48000021	RING,RETAINING,633 SEAL	1
23	GX48104020	CAPSCRW,HX,1/4-28X3/8,18-8SS HX HD	4
24	GX10610105	NUT,HEX,1/2-13,18-8SS L SERIES	1
25	GX10610100	CAPSCRW,HX,1/2-13X3-1/2,18-8SS HX HD	1
26	GX10610405	WASHER,LCK,1/2,18-8SS L SERIES	1



Exploded View - Seal Only

Optional Items Shown in ITALICS

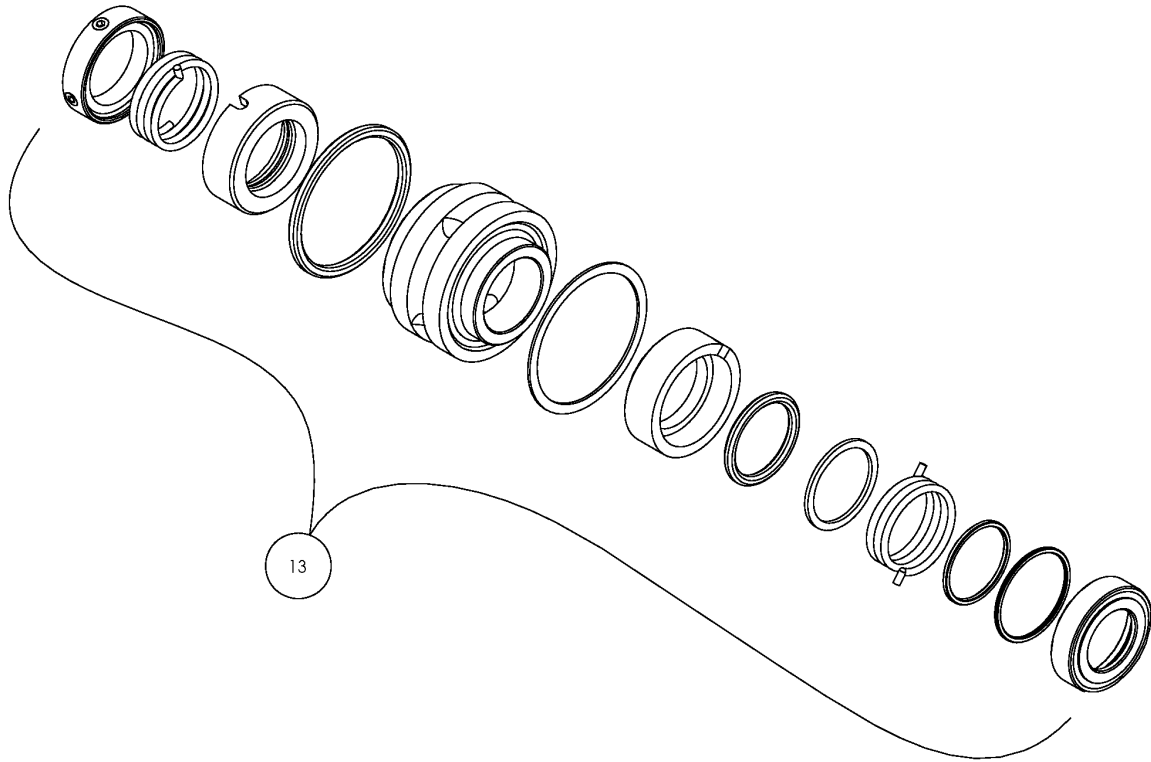
Ref #	Component Item No.	Description	Qty Per
13	GS2600000-SC	KIT,633,DBL SEAL,C/N/CE/V LD	1
	<i>GS2600006</i>	<i>KIT,633,DBL SEAL,C/C/C/V LD</i>	<i>1</i>
	<i>GS2600140</i>	<i>KIT,633,DBL SEAL,FR/C/CE/V LD</i>	<i>1</i>



Exploded View

Optional Items Shown in ITALICS

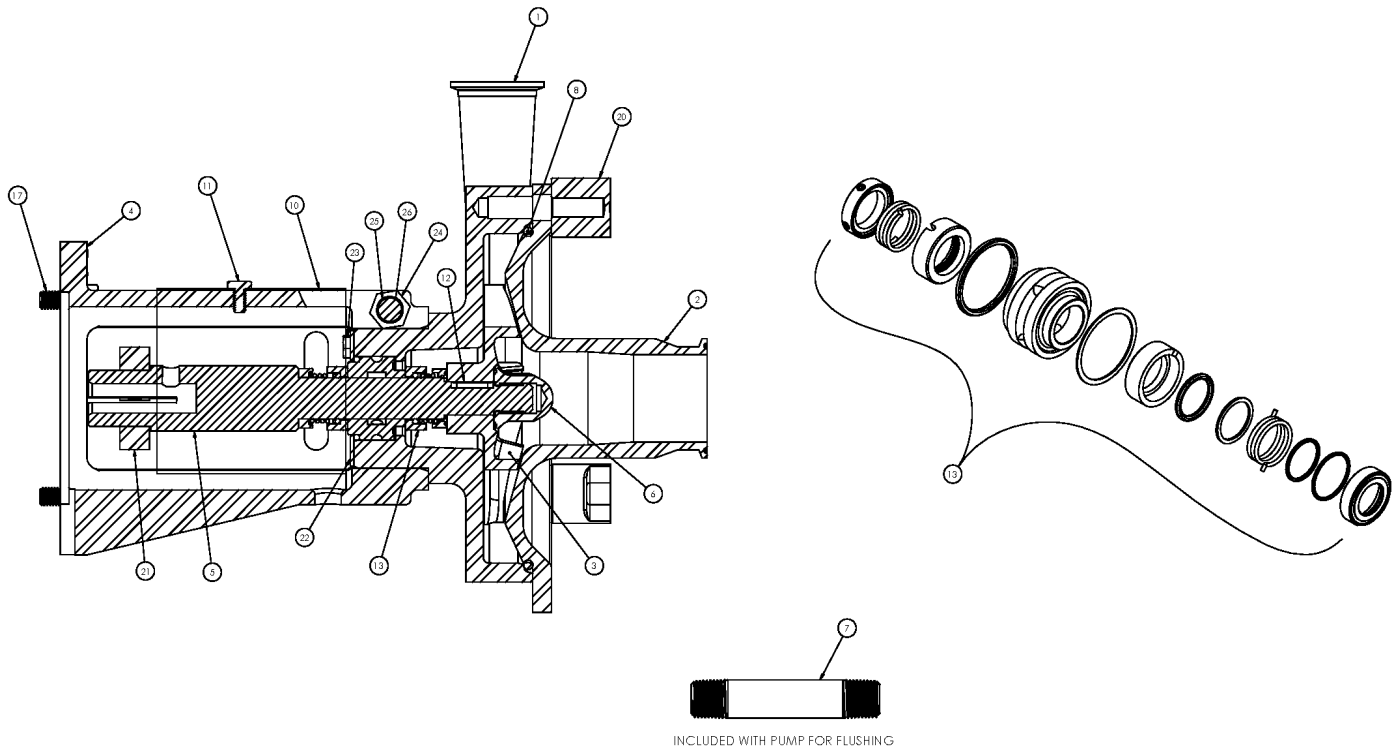
Ref #	Component Item No.	Description	Qty Per
1	SV44610001	CASING,140-210TC,2 CLMP LC R32,R40	1
2	SC44620279	COVER,R32/R40/R132,2-1/2 CLMP L SERIES	1
	SC44620432	COVER,R32/40/132/140,3 CLAMP L SERIES	1
3	SI44630268	IMPELLER,R40,205/18,205MAX LC/LD	1
4	SX10600287	ADAPTER,56C-140TC FRAME LD	1
5	SX21000117	STUBSHAFT,140TC,7/8 W/KEY LD	1
6	SI54000000	NUT,633,IMP,56C-210TC LC	1
7	SX10000007	NIPPLE,H20 FLUSH,1/8X2,304SS LD	2
8	GX80000337	O-RING,R32/40/132/140,CVR,BUNA LC	1
	GX80000349	GASKET,R32/40/132/140,CVR,EPDM LC	1
	GX80000338	GASKET,R32/40/132/R140,CVR,VIT LC	1
10	SX10614287	GUARD,SHAFT,ADPT,56-210TC,BOLT LDR/LDV	1
11	GX48104020	CAPSCRW,HX,1/4-28X3/8,18-8SS HX HD	1
12	SX15000002	KEY,56-280TSC LC	1
13	GS2600000-SC	KIT,633,DBL SEAL,C/N/CE/V LD	1
	GS2600006	KIT,633,DBL SEAL,C/C/C/V LD	1
	GS2600140	KIT,633,DBL SEAL,FR/C/CE/V LD	1
17	GX5077100	CAPSCRW,HX,3/8-16X1,18-8SS HX HD	4
20	SX03000020	NUT,WING LC SERIES	5
21	SX18000013	COLLAR,56C/140TC,SHAFT L SEE ITEM NOTES	1
22	SX48000021	RING,RETAINING,633 SEAL	1
23	GX48104020	CAPSCRW,HX,1/4-28X3/8,18-8SS HX HD	4
24	GX10610105	NUT,HEX,1/2-13,18-8SS L SERIES	1
25	GX10610100	CAPSCRW,HX,1/2-13X3-1/2,18-8SS HX HD	1
26	GX10610405	WASHER,LCK,1/2,18-8SS L SERIES	1



Exploded View - Seal Only

Optional Items Shown in ITALICS

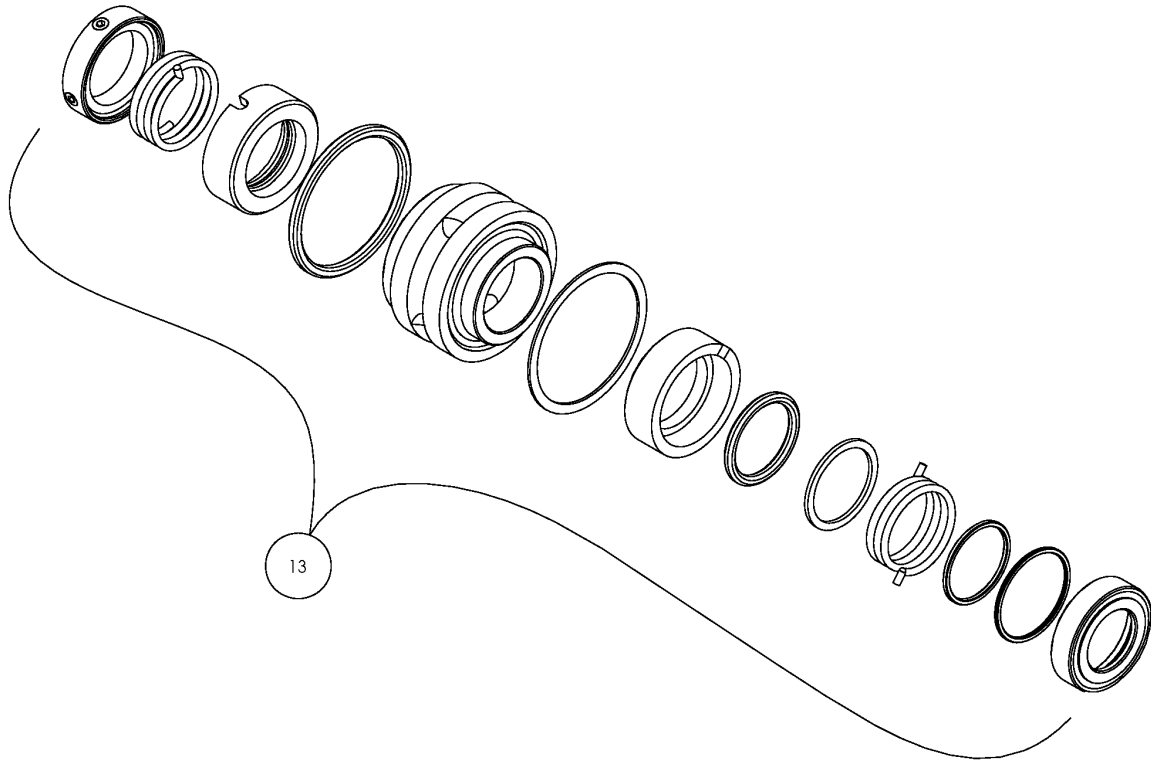
Ref #	Component Item No.	Description	Qty Per
13	GS2600000-SC	KIT,633,DBL SEAL,C/N/CE/V LD	1
	<i>GS2600006</i>	<i>KIT,633,DBL SEAL,C/C/C/V LD</i>	<i>1</i>
	<i>GS2600140</i>	<i>KIT,633,DBL SEAL,FR/C/CE/V LD</i>	<i>1</i>



Exploded View

Optional Items Shown in ITALICS

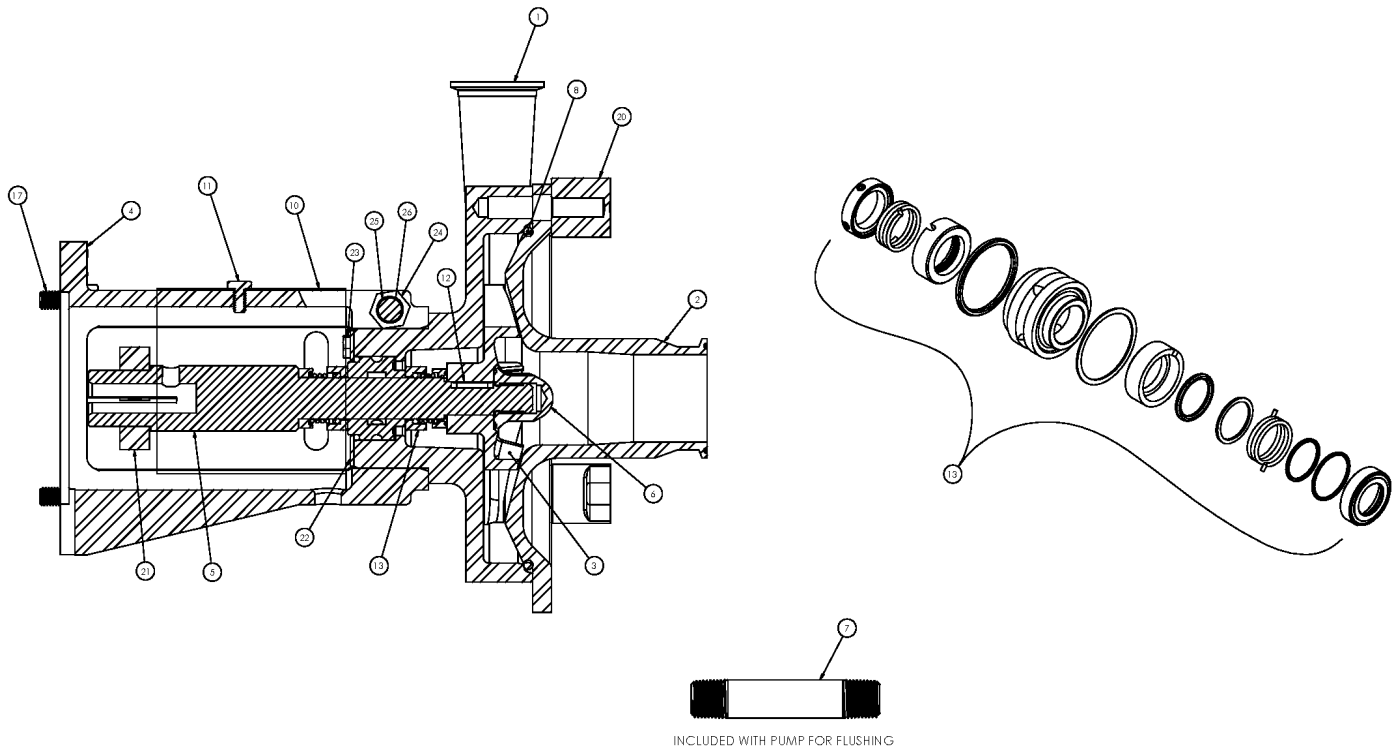
Ref #	Component Item No.	Description	Qty Per
1	SV44610001	CASING,140-210TC,2 CLMP LC R32,R40	1
2	SC44620279	COVER,R32/R40/R132,2-1/2 CLMP L SERIES	1
	SC44620432	COVER,R32/40/132/140,3 CLAMP L SERIES	1
3	SI44630268	IMPELLER,R40,205/18,205MAX LC/LD	1
4	SX10600207	ADAPTER,180-210TC FRAME LD	1
5	SX21000118	STUBSHAFT,180TC,1-1/8 W/KEY LD	1
6	SI54000000	NUT,633,IMP,56C-210TC LC	1
7	SX10000007	NIPPLE,H20 FLUSH,1/8X2,304SS LD	2
8	GX80000337	O-RING,R32/40/132/140,CVR,BUNA LC	1
	GX80000349	GASKET,R32/40/132/140,CVR,EPDM LC	1
	GX80000338	GASKET,R32/40/132/R140,CVR,VIT LC	1
10	SX10614287	GUARD,SHAFT,ADPT,56-210TC,BOLT LDR/LDV	1
11	GX48104020	CAPSCRW,HX,1/4-28X3/8,18-8SS HX HD	1
12	SX15000002	KEY,56-280TSC LC	1
13	GS2600000-SC	KIT,633,DBL SEAL,C/N/CE/V LD	1
	GS2600006	KIT,633,DBL SEAL,C/C/C/V LD	1
	GS2600140	KIT,633,DBL SEAL,FR/C/CE/V LD	1
17	SC1710H-SS	CAPSCRW,HX,1/2-13X1,18-8SS HX HD	4
20	SX03000020	NUT,WING LC SERIES	5
21	SX18000014	COLLAR,180TC,SHAFT LC	1
22	SX48000021	RING,RETAINING,633 SEAL	1
23	GX48104020	CAPSCRW,HX,1/4-28X3/8,18-8SS HX HD	4
24	GX10610105	NUT,HEX,1/2-13,18-8SS L SERIES	1
25	GX10610100	CAPSCRW,HX,1/2-13X3-1/2,18-8SS HX HD	1
26	GX10610405	WASHER,LCK,1/2,18-8SS L SERIES	1



Exploded View - Seal Only

Optional Items Shown in ITALICS

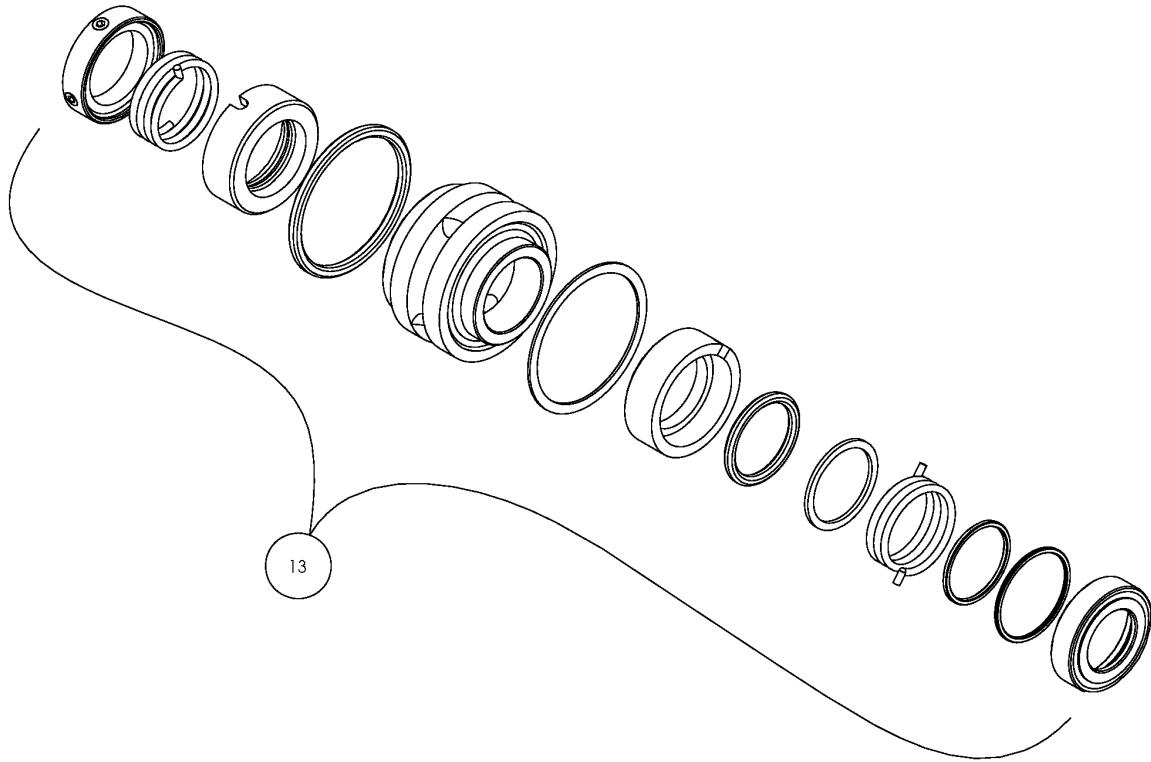
Ref #	Component Item No.	Description	Qty Per
13	GS2600000-SC	KIT,633,DBL SEAL,C/N/CE/V LD	1
	<i>GS2600006</i>	<i>KIT,633,DBL SEAL,C/C/C/V LD</i>	<i>1</i>
	<i>GS2600140</i>	<i>KIT,633,DBL SEAL,FR/C/CE/V LD</i>	<i>1</i>



Exploded View

Optional Items Shown in ITALICS

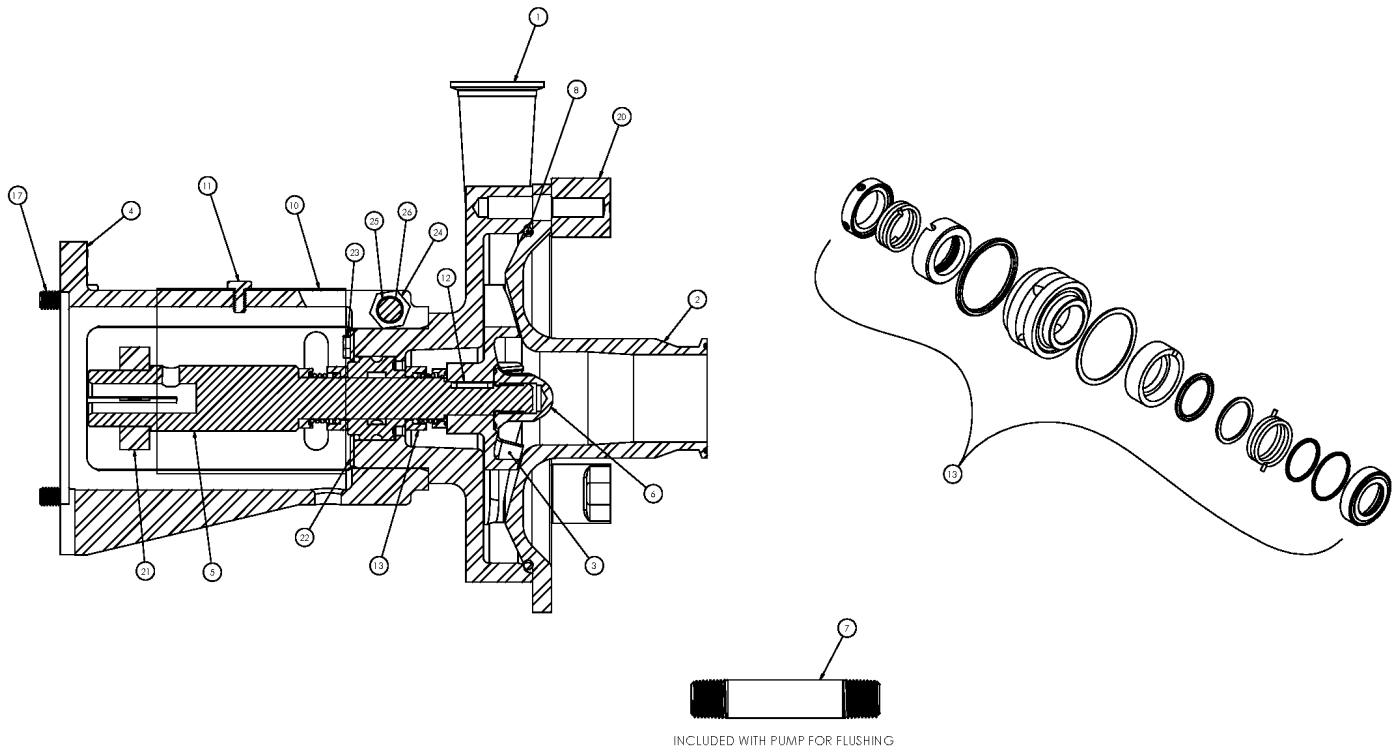
Ref #	Component Item No.	Description	Qty Per
1	SV44610001	CASING,140-210TC,2 CLMP LC R32,R40	1
2	SC44620279	COVER,R32/R40/R132,2-1/2 CLMP L SERIES	1
	SC44620432	COVER,R32/40/132/140,3 CLAMP L SERIES	1
3	SI44630268	IMPELLER,R40,205/18,205MAX LC/LD	1
4	SX10600207	ADAPTER,180-210TC FRAME LD	1
5	SX21000119	STUBSHAFT,210TC,1-3/8 W/KEY LD	1
6	SI54000000	NUT,633,IMP,56C-210TC LC	1
7	SX10000007	NIPPLE,H20 FLUSH,1/8X2,304SS LD	2
8	GX80000337	O-RING,R32/40/132/140,CVR,BUNA LC	1
	GX80000349	GASKET,R32/40/132/140,CVR,EPDM LC	1
	GX80000338	GASKET,R32/40/132/R140,CVR,VIT LC	1
10	SX10614287	GUARD,SHAFT,ADPT,56-210TC,BOLT LDR/LDV	1
11	GX48104020	CAPSCRW,HX,1/4-28X3/8,18-8SS HX HD	1
12	SX15000002	KEY,56-280TSC LC	1
13	GS2600000-SC	KIT,633,DBL SEAL,C/N/CE/V LD	1
	GS2600006	KIT,633,DBL SEAL,C/C/C/V LD	1
	GS2600140	KIT,633,DBL SEAL,FR/C/CE/V LD	1
17	SC1710H-SS	CAPSCRW,HX,1/2-13X1,18-8SS HX HD	4
20	SX03000020	NUT,WING LC SERIES	5
21	SX18000015	COLLAR,210TC,SHAFT LC	1
22	SX48000021	RING,RETAINING,633 SEAL	1
23	GX48104020	CAPSCRW,HX,1/4-28X3/8,18-8SS HX HD	4
24	GX10610105	NUT,HEX,1/2-13,18-8SS L SERIES	1
25	GX10610100	CAPSCRW,HX,1/2-13X3-1/2,18-8SS HX HD	1
26	GX10610405	WASHER,LCK,1/2,18-8SS L SERIES	1



Exploded View - Seal Only

Optional Items Shown in ITALICS

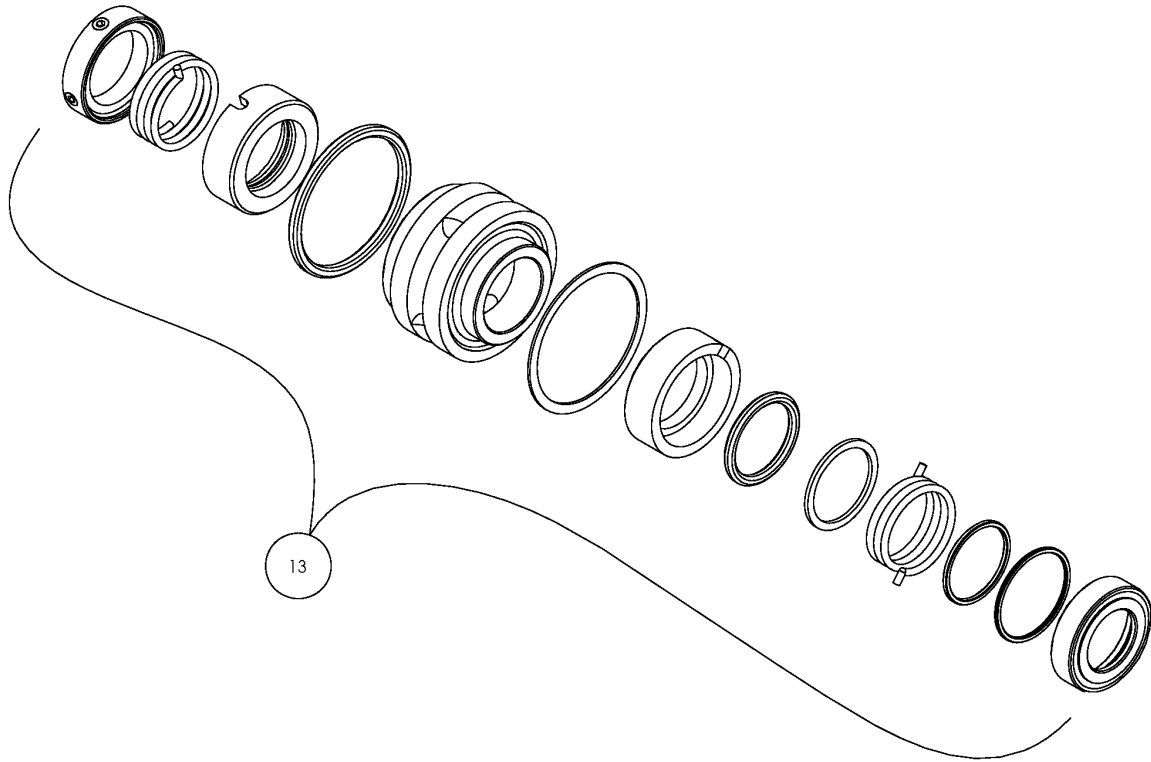
Ref #	Component Item No.	Description	Qty Per
13	GS2600000-SC	KIT,633,DBL SEAL,C/N/CE/V LD	1
	<i>GS2600006</i>	<i>KIT,633,DBL SEAL,C/C/C/V LD</i>	<i>1</i>
	<i>GS2600140</i>	<i>KIT,633,DBL SEAL,FR/C/CE/V LD</i>	<i>1</i>



Exploded View

Optional Items Shown in ITALICS

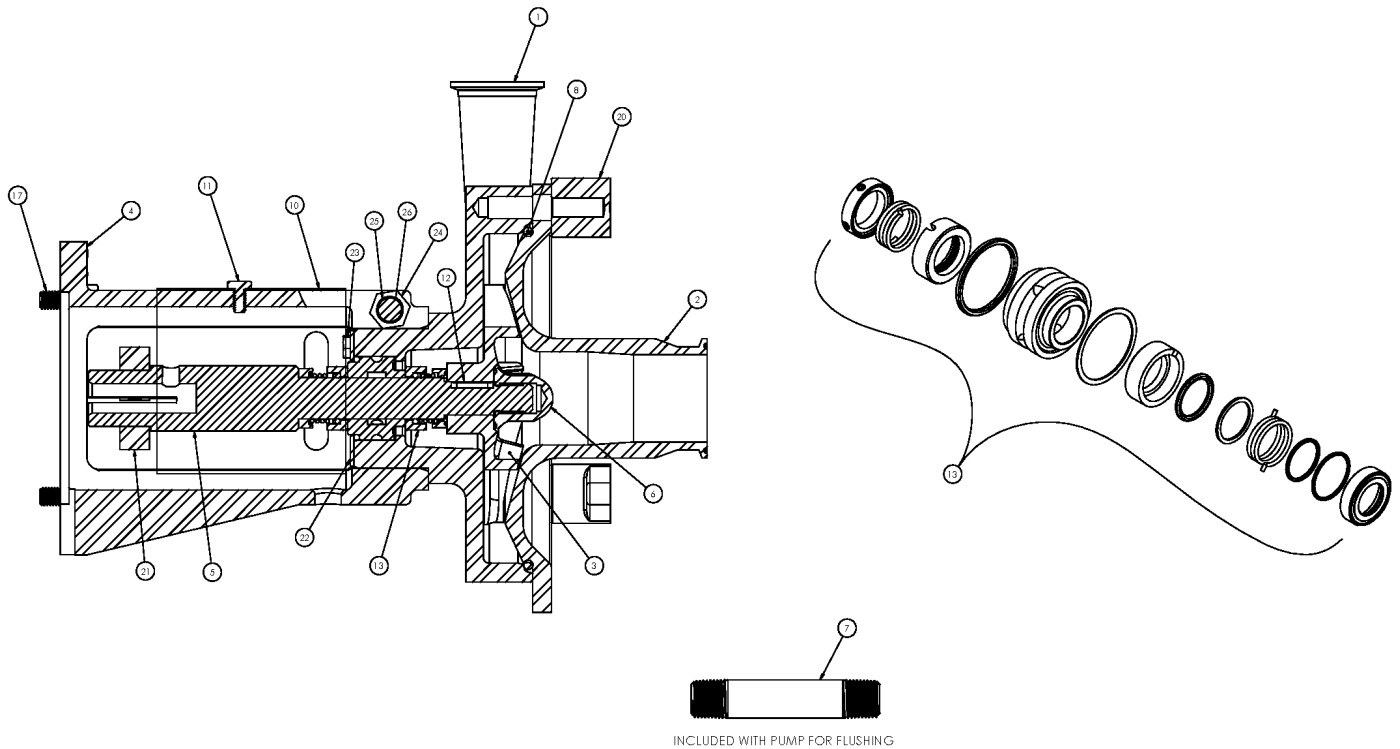
Ref #	Component Item No.	Description	Qty Per
1	SV44610001	CASING,140-210TC,2 CLMP LC R32,R40	1
2	SC44620279	COVER,R32/R40/R132,2-1/2 CLMP L SERIES	1
	SC44620432	COVER,R32/40/132/140,3 CLAMP L SERIES	1
3	SI44630268	IMPELLER,R40,205/18,205MAX LC/LD	1
4	SX10600287	ADAPTER,56C-140TC FRAME LD	1
5	SX21000117	STUBSHAFT,140TC,7/8 W/KEY LD	1
6	SI54000000	NUT,633,IMP,56C-210TC LC	1
7	SX10000007	NIPPLE,H20 FLUSH,1/8X2,304SS LD	2
8	GX80000337	O-RING,R32/40/132/140,CVR,BUNA LC	1
	GX80000349	GASKET,R32/40/132/140,CVR,EPDM LC	1
	GX80000338	GASKET,R32/40/132/R140,CVR,VIT LC	1
10	SX10614287	GUARD,SHAFT,ADPT,56-210TC,BOLT LDR/LDV	1
11	GX48104020	CAPSCRW,HX,1/4-28X3/8,18-8SS HX HD	1
12	SX15000002	KEY,56-280TSC LC	1
13	GS2600000-SC	KIT,633,DBL SEAL,C/N/CE/V LD	1
	GS2600006	KIT,633,DBL SEAL,C/C/C/V LD	1
	GS2600140	KIT,633,DBL SEAL,FR/C/CE/V LD	1
17	GX5077100	CAPSCRW,HX,3/8-16X1,18-8SS HX HD	4
20	SX03000020	NUT,WING LC SERIES	5
21	SX18000013	COLLAR,56C/140TC,SHAFT L SEE ITEM NOTES	1
22	SX48000021	RING,RETAINING,633 SEAL	1
23	GX48104020	CAPSCRW,HX,1/4-28X3/8,18-8SS HX HD	4
24	GX10610105	NUT,HEX,1/2-13,18-8SS L SERIES	1
25	GX10610100	CAPSCRW,HX,1/2-13X3-1/2,18-8SS HX HD	1
26	GX10610405	WASHER,LCK,1/2,18-8SS L SERIES	1



Exploded View - Seal Only

Optional Items Shown in ITALICS

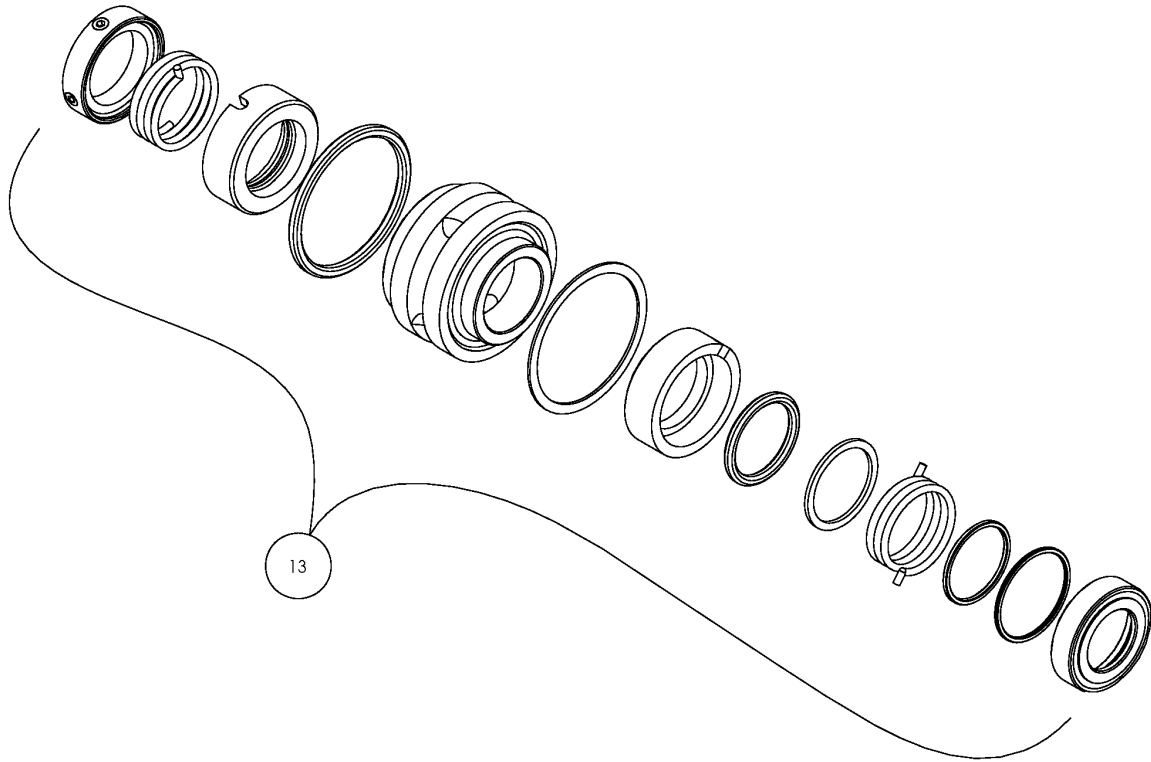
Ref #	Component Item No.	Description	Qty Per
13	GS2600000-SC	KIT,633,DBL SEAL,C/N/CE/V LD	1
	<i>GS2600006</i>	<i>KIT,633,DBL SEAL,C/C/C/V LD</i>	<i>1</i>
	<i>GS2600140</i>	<i>KIT,633,DBL SEAL,FR/C/CE/V LD</i>	<i>1</i>



Exploded View

Optional Items Shown in ITALICS

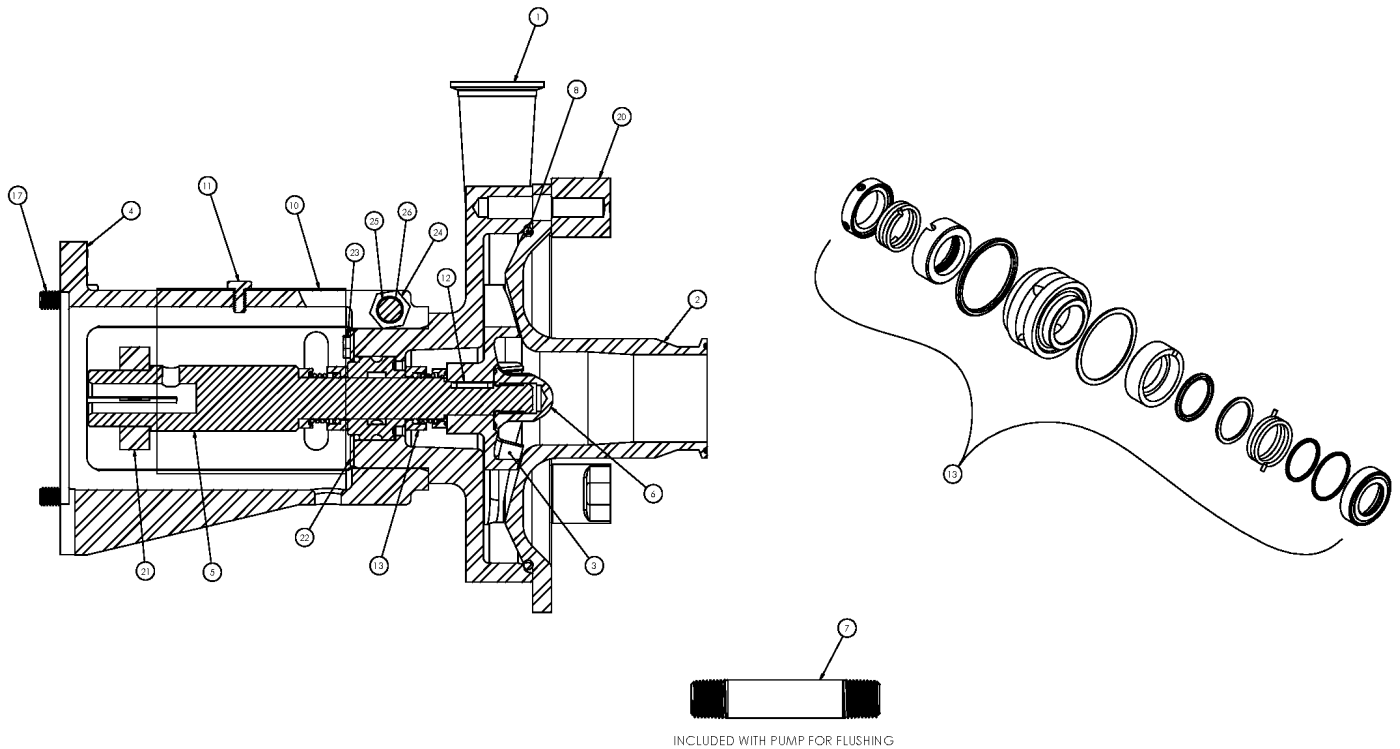
Ref #	Component Item No.	Description	Qty Per
1	SV44610001	CASING,140-210TC,2 CLMP LC R32,R40	1
2	SC44620279	COVER,R32/R40/R132,2-1/2 CLMP L SERIES	1
	SC44620432	COVER,R32/40/132/140,3 CLAMP L SERIES	1
3	SI44630268	IMPELLER,R40,205/18,205MAX LC/LD	1
4	SX10600207	ADAPTER,180-210TC FRAME LD	1
5	SX21000118	STUBSHAFT,180TC,1-1/8 W/KEY LD	1
6	SI54000000	NUT,633,IMP,56C-210TC LC	1
7	SX10000007	NIPPLE,H20 FLUSH,1/8X2,304SS LD	2
8	GX80000337	O-RING,R32/40/132/140,CVR,BUNA LC	1
	GX80000349	GASKET,R32/40/132/140,CVR,EPDM LC	1
	GX80000338	GASKET,R32/40/132/R140,CVR,VIT LC	1
10	SX10614287	GUARD,SHAFT,ADPT,56-210TC,BOLT LDR/LDV	1
11	GX48104020	CAPSCRW,HX,1/4-28X3/8,18-8SS HX HD	1
12	SX15000002	KEY,56-280TSC LC	1
13	GS2600000-SC	KIT,633,DBL SEAL,C/N/CE/V LD	1
	GS2600006	KIT,633,DBL SEAL,C/C/C/V LD	1
	GS2600140	KIT,633,DBL SEAL,FR/C/CE/V LD	1
17	SC1710H-SS	CAPSCRW,HX,1/2-13X1,18-8SS HX HD	4
20	SX03000020	NUT,WING LC SERIES	5
21	SX18000014	COLLAR,180TC,SHAFT LC	1
22	SX48000021	RING,RETAINING,633 SEAL	1
23	GX48104020	CAPSCRW,HX,1/4-28X3/8,18-8SS HX HD	4
24	GX10610105	NUT,HEX,1/2-13,18-8SS L SERIES	1
25	GX10610100	CAPSCRW,HX,1/2-13X3-1/2,18-8SS HX HD	1
26	GX10610405	WASHER,LCK,1/2,18-8SS L SERIES	1



Exploded View - Seal Only

Optional Items Shown in ITALICS

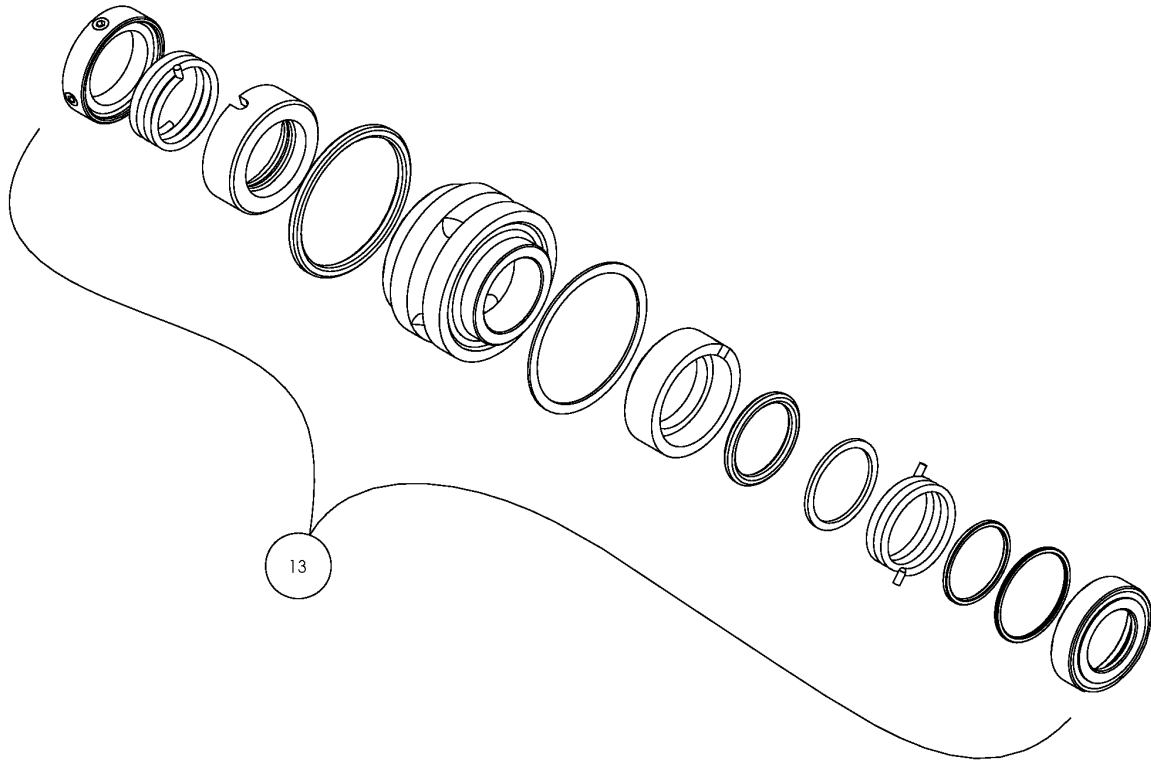
Ref #	Component Item No.	Description	Qty Per
13	GS2600000-SC	KIT,633,DBL SEAL,C/N/CE/V LD	1
	<i>GS2600006</i>	<i>KIT,633,DBL SEAL,C/C/C/V LD</i>	<i>1</i>
	<i>GS2600140</i>	<i>KIT,633,DBL SEAL,FR/C/CE/V LD</i>	<i>1</i>



Exploded View

Optional Items Shown in ITALICS

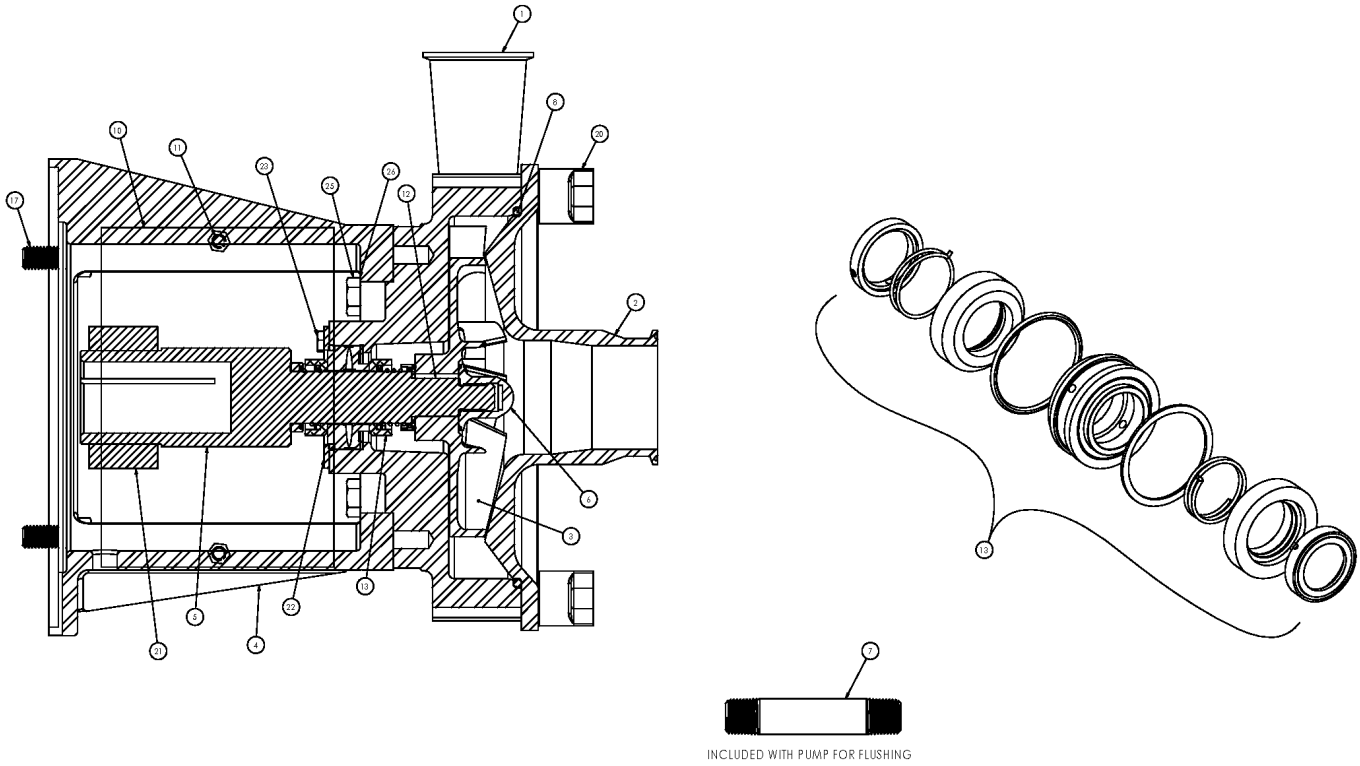
Ref #	Component Item No.	Description	Qty Per
1	SV44610001	CASING,140-210TC,2 CLMP LC R32,R40	1
2	SC44620279	COVER,R32/R40/R132,2-1/2 CLMP L SERIES	1
	SC44620432	COVER,R32/40/132/140,3 CLAMP L SERIES	1
3	SI44630268	IMPELLER,R40,205/18,205MAX LC/LD	1
4	SX10600207	ADAPTER,180-210TC FRAME LD	1
5	SX21000119	STUBSHAFT,210TC,1-3/8 W/KEY LD	1
6	SI54000000	NUT,633,IMP,56C-210TC LC	1
7	SX10000007	NIPPLE,H20 FLUSH,1/8X2,304SS LD	2
8	GX80000337	O-RING,R32/40/132/140,CVR,BUNA LC	1
	GX80000349	GASKET,R32/40/132/140,CVR,EPDM LC	1
	GX80000338	GASKET,R32/40/132/R140,CVR,VIT LC	1
10	SX10614287	GUARD,SHAFT,ADPT,56-210TC,BOLT LDR/LDV	1
11	GX48104020	CAPSCRW,HX,1/4-28X3/8,18-8SS HX HD	1
12	SX15000002	KEY,56-280TSC LC	1
13	GS2600000-SC	KIT,633,DBL SEAL,C/N/CE/V LD	1
	GS2600006	KIT,633,DBL SEAL,C/C/C/V LD	1
	GS2600140	KIT,633,DBL SEAL,FR/C/CE/V LD	1
17	SC1710H-SS	CAPSCRW,HX,1/2-13X1,18-8SS HX HD	4
20	SX03000020	NUT,WING LC SERIES	5
21	SX18000015	COLLAR,210TC,SHAFT LC	1
22	SX48000021	RING,RETAINING,633 SEAL	1
23	GX48104020	CAPSCRW,HX,1/4-28X3/8,18-8SS HX HD	4
24	GX10610105	NUT,HEX,1/2-13,18-8SS L SERIES	1
25	GX10610100	CAPSCRW,HX,1/2-13X3-1/2,18-8SS HX HD	1
26	GX10610405	WASHER,LCK,1/2,18-8SS L SERIES	1



Exploded View - Seal Only

Optional Items Shown in ITALICS

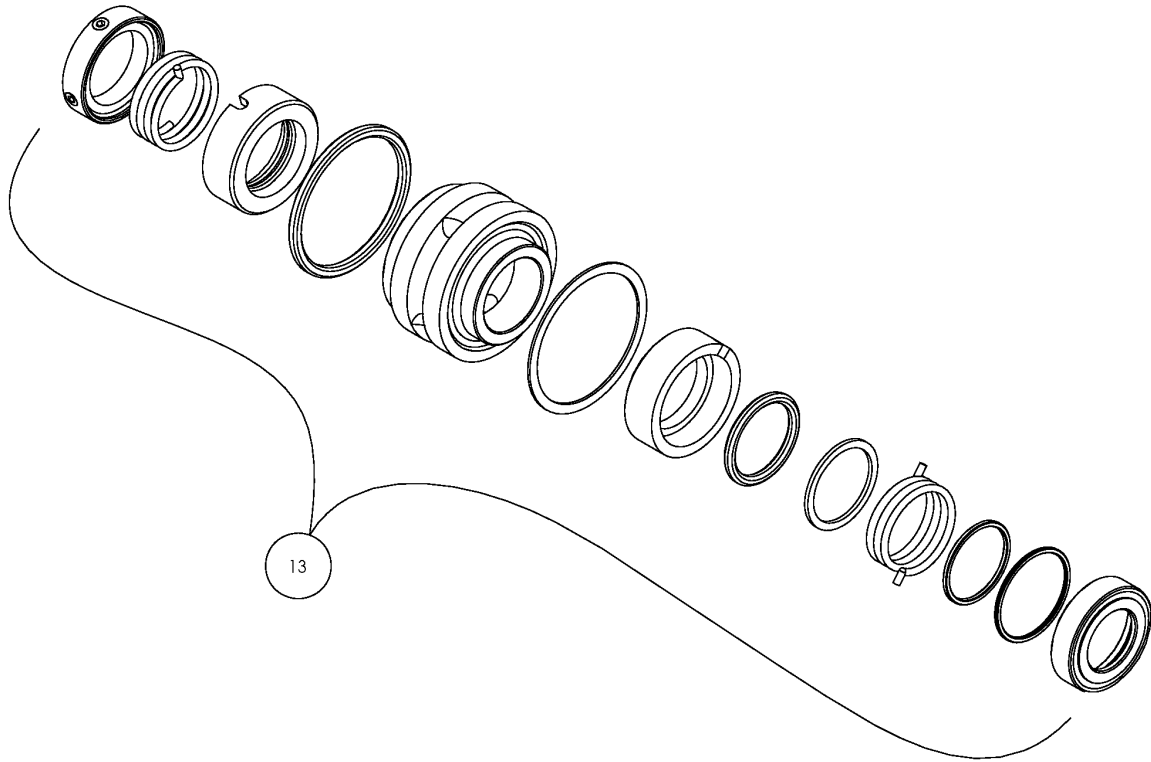
Ref #	Component Item No.	Description	Qty Per
13	GS2600000-SC	KIT,633,DBL SEAL,C/N/CE/V LD	1
	<i>GS2600006</i>	<i>KIT,633,DBL SEAL,C/C/C/V LD</i>	<i>1</i>
	<i>GS2600140</i>	<i>KIT,633,DBL SEAL,FR/C/CE/V LD</i>	<i>1</i>



Exploded View

Optional Items Shown in ITALICS

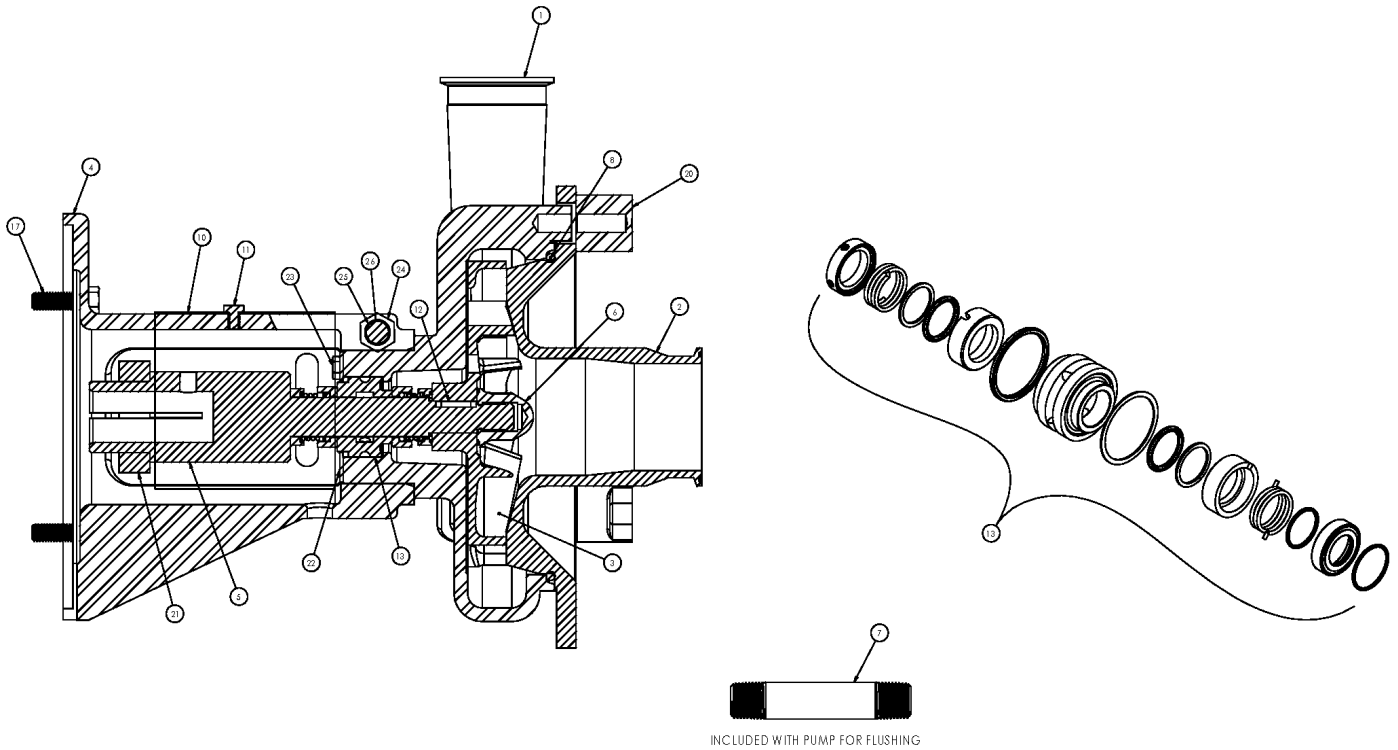
Ref #	Component Item No.	Description	Qty Per
1	SV44610003	CASING,280TSC,2 CLMP LC R32,R40	1
2	SC44620279	COVER,R32/R40/R132,2-1/2 CLMP L SERIES	1
	SC44620432	COVER,R32/40/132/140,3 CLAMP L SERIES	1
3	SI44630269	IMPELLER,R40,205/22,205MAX LC/LD	1
4	SX10600120	ADAPTER,210-250TC FRAME LCX/LD	1
5	SX21000100	STUBSHAFT,250TC/280TSC,1-5/8 W/KEY LD	1
6	SI54000007	NUT,735,IMP,250TC-280TC	1
7	SX10000007	NIPPLE,H20 FLUSH,1/8X2,304SS LD	2
8	GX80000337	O-RING,R32/40/132/140,CVR,BUNA LC	1
	GX80000349	GASKET,R32/40/132/140,CVR,EPDM LC	1
	GX80000338	GASKET,R32/40/132/R140,CVR,VIT LC	1
10	SX10628089	GUARD,SHAFT,DBL FLNGE ADPTRS LC	2
11	GX48104020	CAPSCRW,HX,1/4-28X3/8,18-8SS HX HD	4
12	SX15000002	KEY,56-280TSC LC	1
13	GS2600128-SC	KIT,735,DBL SEAL,C/N/CE/V LD	1
	GS2600130	KIT,735,DBL SEAL,C/C/C/V LD	1
	GS2600128	KIT,735,DBL SEAL,CO/N/CE/V LD	1
17	SC1710H-SS	CAPSCRW,HX,1/2-13X1,18-8SS HX HD	4
20	SX03000020	NUT,WING LC SERIES	5
21	SX18000035	COLLAR,250TC/280TSC,SHAFT LC	1
22	SX48000022	RING,RETAINING,735,280TC 735 SEAL	1
23	GX48104020	CAPSCRW,HX,1/4-28X3/8,18-8SS HX HD	4
	GX48106027	CAPSCRW,SH,10-32X3/8,18-8SS SCKT HD	6
24	GX10610105	NUT,HEX,1/2-13,18-8SS L SERIES	1
25	GX10610400	CAPSCRW,HX,M12-1.75X30MM,18-8S HX HD	4
26	GX10610405	WASHER,LCK,1/2,18-8SS L SERIES	4



Exploded View - Seal Only

Optional Items Shown in ITALICS

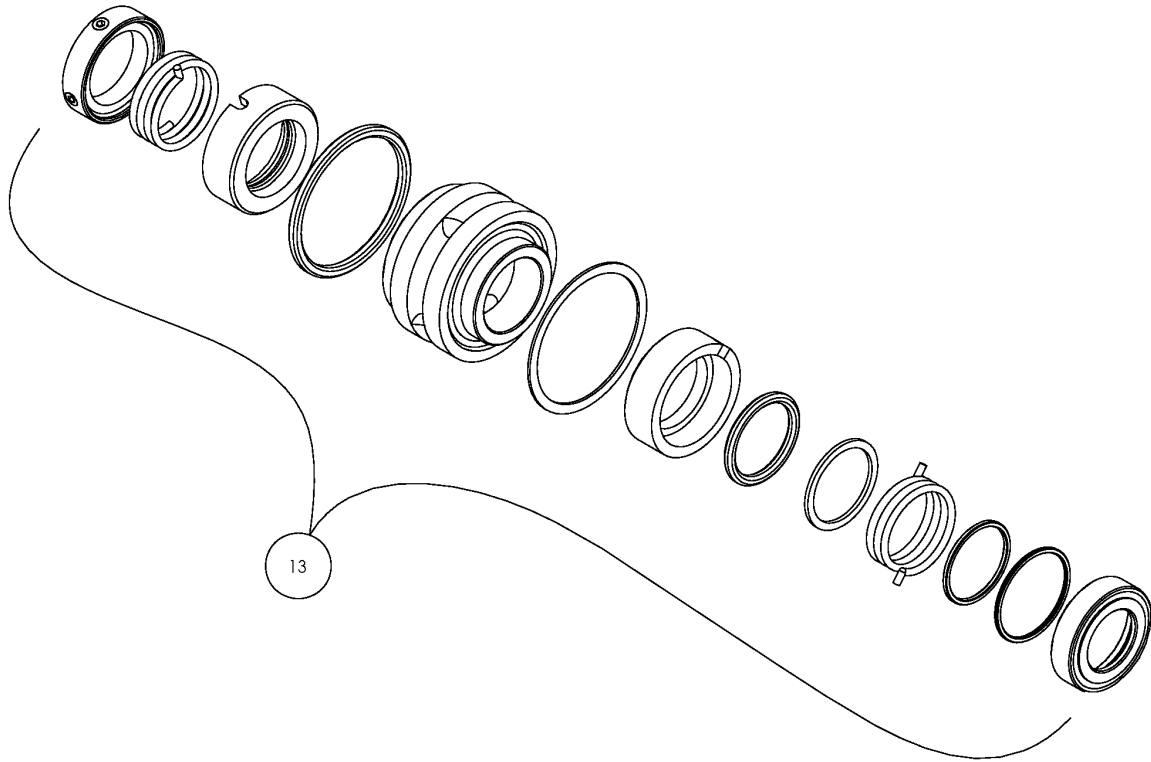
Ref #	Component Item No.	Description	Qty Per
13	GS2600128-SC	KIT,735,DBL SEAL,C/N/CE/V LD	1
	<i>GS2600130</i>	<i>KIT,735,DBL SEAL,C/C/C/V LD</i>	<i>1</i>
	<i>GS2600128</i>	<i>KIT,735,DBL SEAL,CO/N/CE/V LD</i>	<i>1</i>



Exploded View

Optional Items Shown in ITALICS

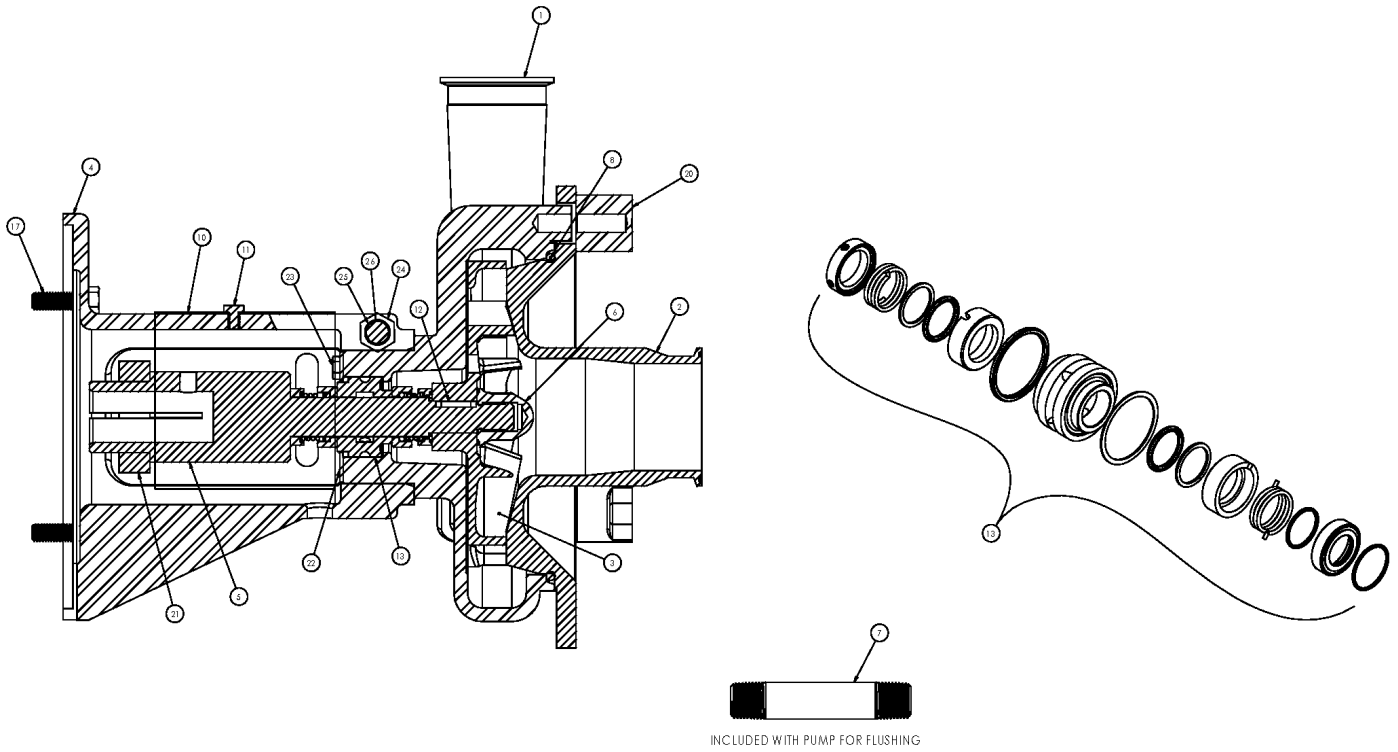
Ref #	Component Item No.	Description	Qty Per
1	SV28610000	CASING,56C-210TC,2 CLMP LC V520	1
2	SC28620064	COVER,V520,2-1/2 CLAMP L SERIES	1
	<i>SC28620154</i>	<i>COVER,V520,3 CLAMP L SERIES</i>	<i>1</i>
3	SI28630092	IMPELLER,V520,145/18,145MAX LC/LD	1
4	SX10600287	ADAPTER,56C-140TC FRAME LD	1
5	SX21000117	STUBSHAFT,140TC,7/8 W/KEY LD	1
6	SI54000000	NUT,633,IMP,56C-210TC LC	1
7	SX10000007	NIPPLE,H20 FLUSH,1/8X2,304SS LD	2
8	GX80000333	GASKET,V520,CVR,BUNA LC	1
	<i>GX80000057</i>	<i>GASKET,V520,CVR,EPDM LC</i>	<i>1</i>
	<i>GX80000018</i>	<i>GASKET,V520,CVR,VIT LC</i>	<i>1</i>
10	SX10614287	GUARD,SHAFT,ADPT,56-210TC,BOLT LDR/LDV	1
11	GX48104020	CAPSCRW,HX,1/4-28X3/8,18-8SS HX HD	1
12	SX15000002	KEY,56-280TSC LC	1
13	GS2600000-SC	KIT,633,DBL SEAL,C/N/CE/V LD	1
	<i>GS2600006</i>	<i>KIT,633,DBL SEAL,C/C/C/V LD</i>	<i>1</i>
	<i>GS2600140</i>	<i>KIT,633,DBL SEAL,FR/C/CE/V LD</i>	<i>1</i>
17	GX5077100	CAPSCRW,HX,3/8-16X1,18-8SS HX HD	4
20	SX03000020	NUT,WING LC SERIES	3
21	SX18000013	COLLAR,56C/140TC,SHAFT L SEE ITEM NOTES	1
22	SX48000021	RING,RETAINING,633 SEAL	1
23	GX48104020	CAPSCRW,HX,1/4-28X3/8,18-8SS HX HD	4
24	GX10610105	NUT,HEX,1/2-13,18-8SS L SERIES	1
25	GX10610100	CAPSCRW,HX,1/2-13X3-1/2,18-8SS HX HD	1
26	GX10610405	WASHER,LCK,1/2,18-8SS L SERIES	1



Exploded View - Seal Only

Optional Items Shown in ITALICS

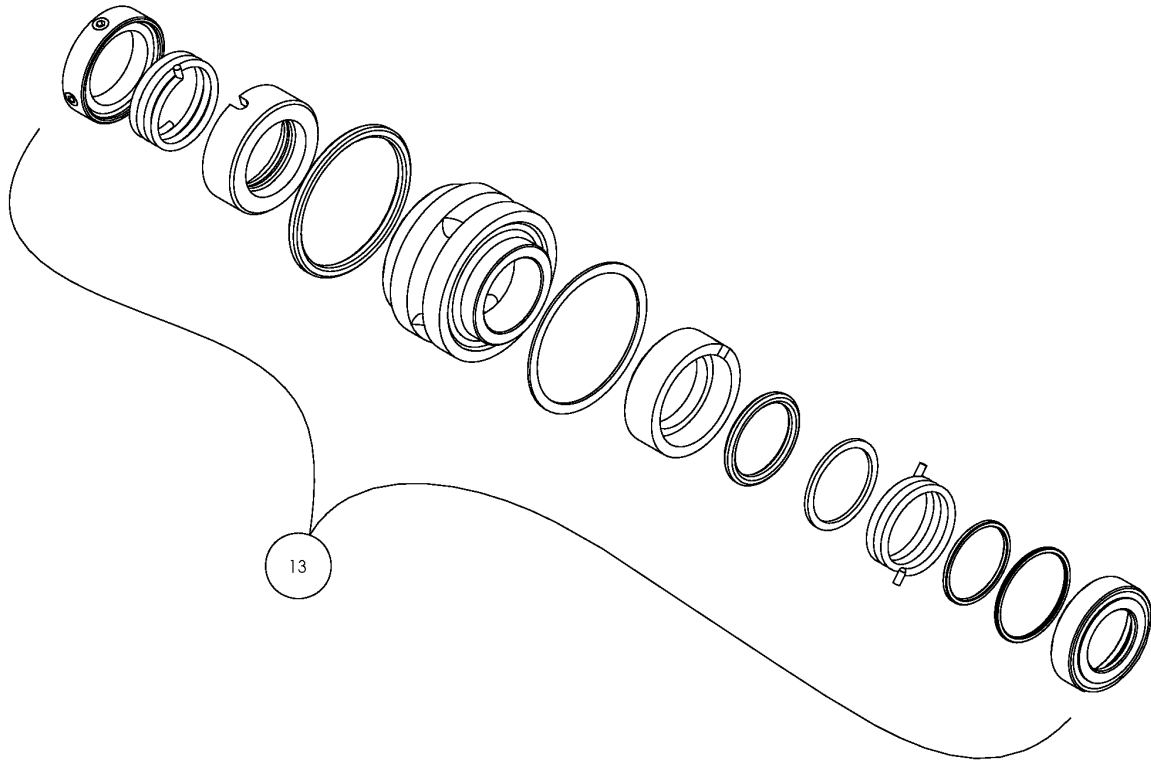
Ref #	Component Item No.	Description	Qty Per
13	GS2600000-SC	KIT,633,DBL SEAL,C/N/CE/V LD	1
	<i>GS2600006</i>	<i>KIT,633,DBL SEAL,C/C/C/V LD</i>	<i>1</i>
	<i>GS2600140</i>	<i>KIT,633,DBL SEAL,FR/C/CE/V LD</i>	<i>1</i>



Exploded View

Optional Items Shown in ITALICS

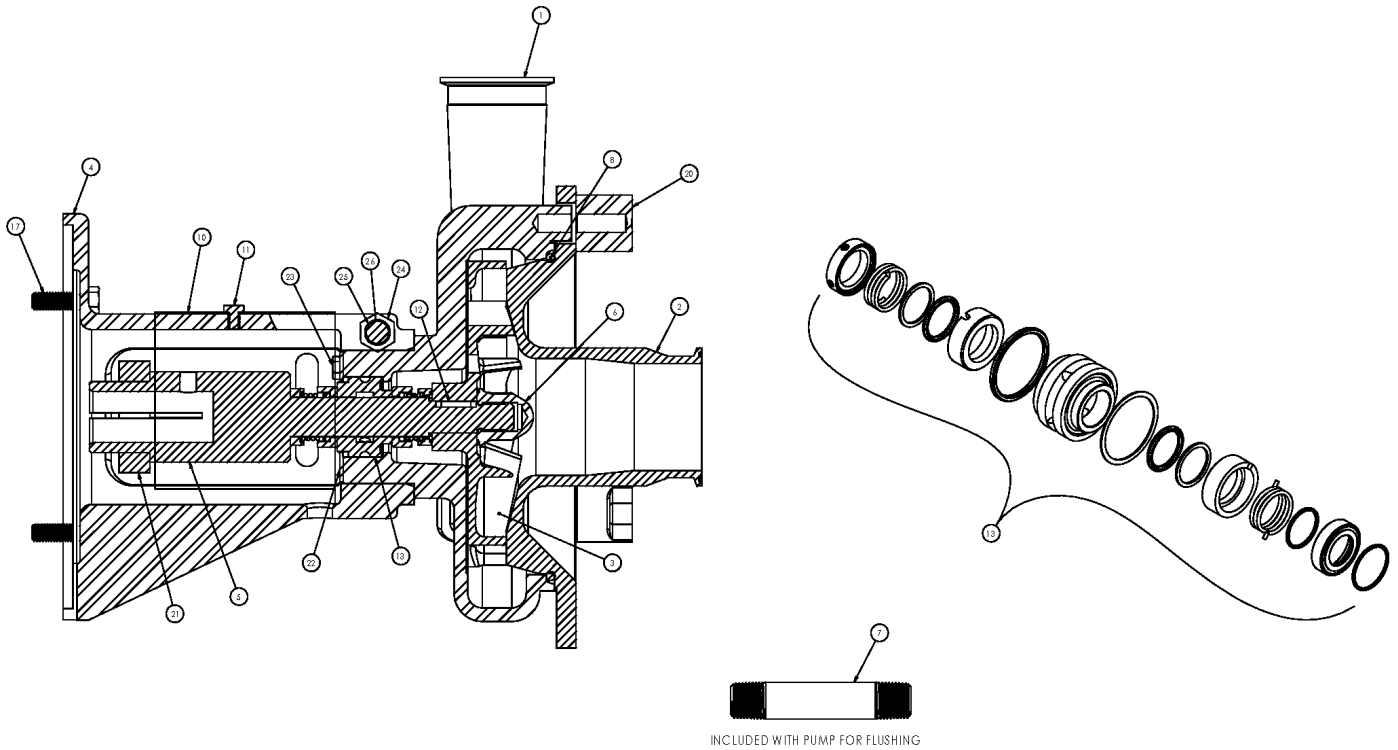
Ref #	Component Item No.	Description	Qty Per
1	SV28610000	CASING,56C-210TC,2 CLMP LC V520	1
2	SC28620064	COVER,V520,2-1/2 CLAMP L SERIES	1
	<i>SC28620154</i>	<i>COVER,V520,3 CLAMP L SERIES</i>	<i>1</i>
3	SI28630092	IMPELLER,V520,145/18,145MAX LC/LD	1
4	SX10600207	ADAPTER,180-210TC FRAME LD	1
5	SX21000118	STUBSHAFT,180TC,1-1/8 W/KEY LD	1
6	SI54000000	NUT,633,IMP,56C-210TC LC	1
7	SX10000007	NIPPLE,H20 FLUSH,1/8X2,304SS LD	2
8	GX80000333	GASKET,V520,CVR,BUNA LC	1
	<i>GX80000057</i>	<i>GASKET,V520,CVR,EPDM LC</i>	<i>1</i>
	<i>GX80000018</i>	<i>GASKET,V520,CVR,VIT LC</i>	<i>1</i>
10	SX10614287	GUARD,SHAFT,ADPT,56-210TC,BOLT LDR/LDV	1
11	GX48104020	CAPSCRW,HX,1/4-28X3/8,18-8SS HX HD	1
12	SX15000002	KEY,56-280TSC LC	1
13	GS2600000-SC	KIT,633,DBL SEAL,C/N/CE/V LD	1
	<i>GS2600006</i>	<i>KIT,633,DBL SEAL,C/C/C/V LD</i>	<i>1</i>
	<i>GS2600140</i>	<i>KIT,633,DBL SEAL,FR/C/CE/V LD</i>	<i>1</i>
17	SC1710H-SS	CAPSCRW,HX,1/2-13X1,18-8SS HX HD	4
20	SX03000020	NUT,WING LC SERIES	3
21	SX18000014	COLLAR,180TC,SHAFT LC	1
22	SX48000021	RING,RETAINING,633 SEAL	1
23	GX48104020	CAPSCRW,HX,1/4-28X3/8,18-8SS HX HD	4
24	GX10610105	NUT,HEX,1/2-13,18-8SS L SERIES	1
25	GX10610100	CAPSCRW,HX,1/2-13X3-1/2,18-8SS HX HD	1
26	GX10610405	WASHER,LCK,1/2,18-8SS L SERIES	1



Exploded View - Seal Only

Optional Items Shown in ITALICS

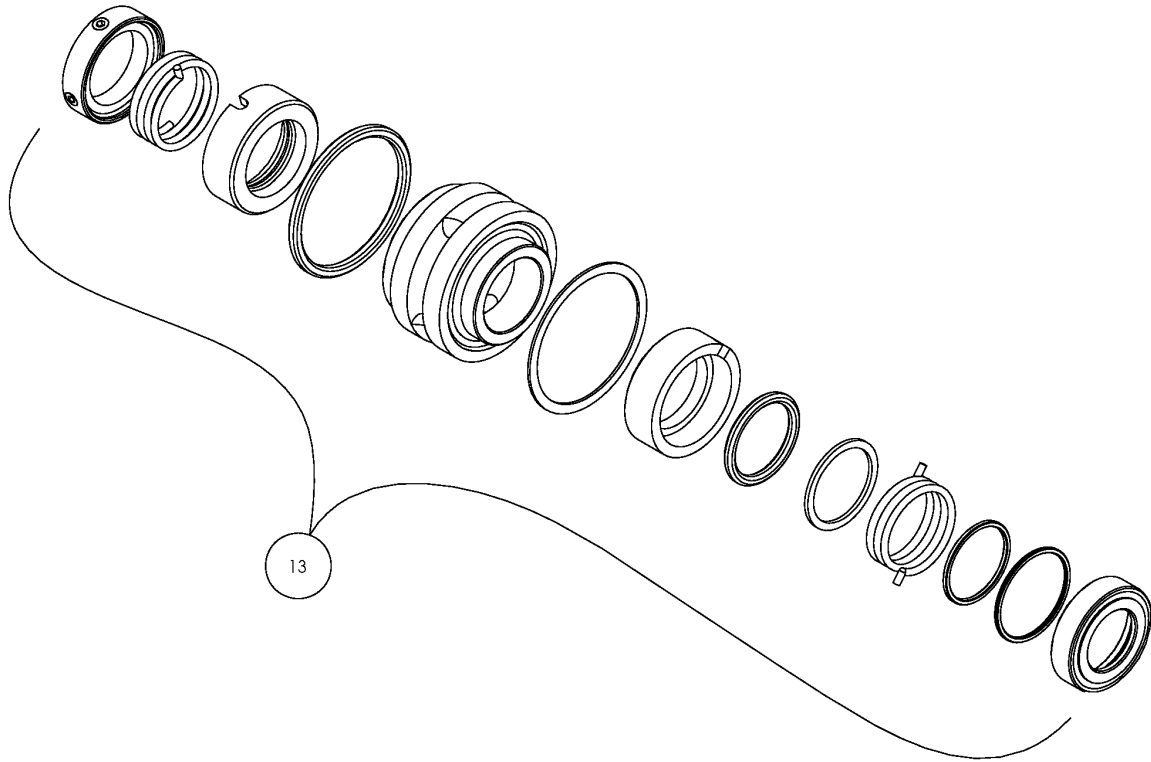
Ref #	Component Item No.	Description	Qty Per
13	GS2600000-SC	KIT,633,DBL SEAL,C/N/CE/V LD	1
	<i>GS2600006</i>	<i>KIT,633,DBL SEAL,C/C/C/V LD</i>	<i>1</i>
	<i>GS2600140</i>	<i>KIT,633,DBL SEAL,FR/C/CE/V LD</i>	<i>1</i>



Exploded View

Optional Items Shown in ITALICS

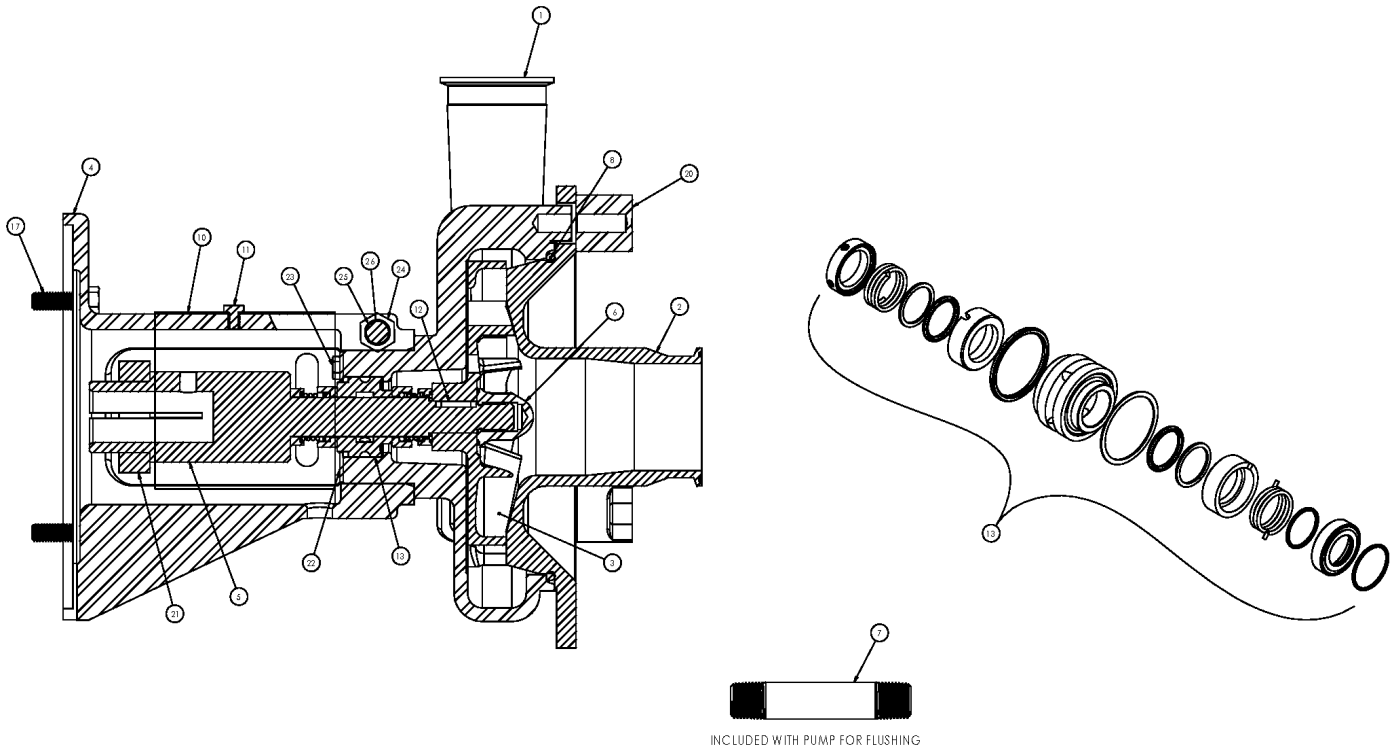
Ref #	Component Item No.	Description	Qty Per
1	SV28610000	CASING,56C-210TC,2 CLMP LC V520	1
2	SC28620064	COVER,V520,2-1/2 CLAMP L SERIES	1
	<i>SC28620154</i>	<i>COVER,V520,3 CLAMP L SERIES</i>	<i>1</i>
3	SI28630092	IMPELLER,V520,145/18,145MAX LC/LD	1
4	SX10600207	ADAPTER,180-210TC FRAME LD	1
5	SX21000119	STUBSHAFT,210TC,1-3/8 W/KEY LD	1
6	SI54000000	NUT,633,IMP,56C-210TC LC	1
7	SX10000007	NIPPLE,H20 FLUSH,1/8X2,304SS LD	2
8	GX80000333	GASKET,V520,CVR,BUNA LC	1
	<i>GX80000057</i>	<i>GASKET,V520,CVR,EPDM LC</i>	<i>1</i>
	<i>GX80000018</i>	<i>GASKET,V520,CVR,VIT LC</i>	<i>1</i>
10	SX10614287	GUARD,SHAFT,ADPT,56-210TC,BOLT LDR/LDV	1
11	GX48104020	CAPSCRW,HX,1/4-28X3/8,18-8SS HX HD	1
12	SX15000002	KEY,56-280TSC LC	1
13	GS2600000-SC	KIT,633,DBL SEAL,C/N/CE/V LD	1
	<i>GS2600006</i>	<i>KIT,633,DBL SEAL,C/C/C/V LD</i>	<i>1</i>
	<i>GS2600140</i>	<i>KIT,633,DBL SEAL,FR/C/CE/V LD</i>	<i>1</i>
17	SC1710H-SS	CAPSCRW,HX,1/2-13X1,18-8SS HX HD	4
20	SX03000020	NUT,WING LC SERIES	3
21	SX18000015	COLLAR,210TC,SHAFT LC	1
22	SX48000021	RING,RETAINING,633 SEAL	1
23	GX48104020	CAPSCRW,HX,1/4-28X3/8,18-8SS HX HD	4
24	GX10610105	NUT,HEX,1/2-13,18-8SS L SERIES	1
25	GX10610100	CAPSCRW,HX,1/2-13X3-1/2,18-8SS HX HD	1
26	GX10610405	WASHER,LCK,1/2,18-8SS L SERIES	1



Exploded View - Seal Only

Optional Items Shown in ITALICS

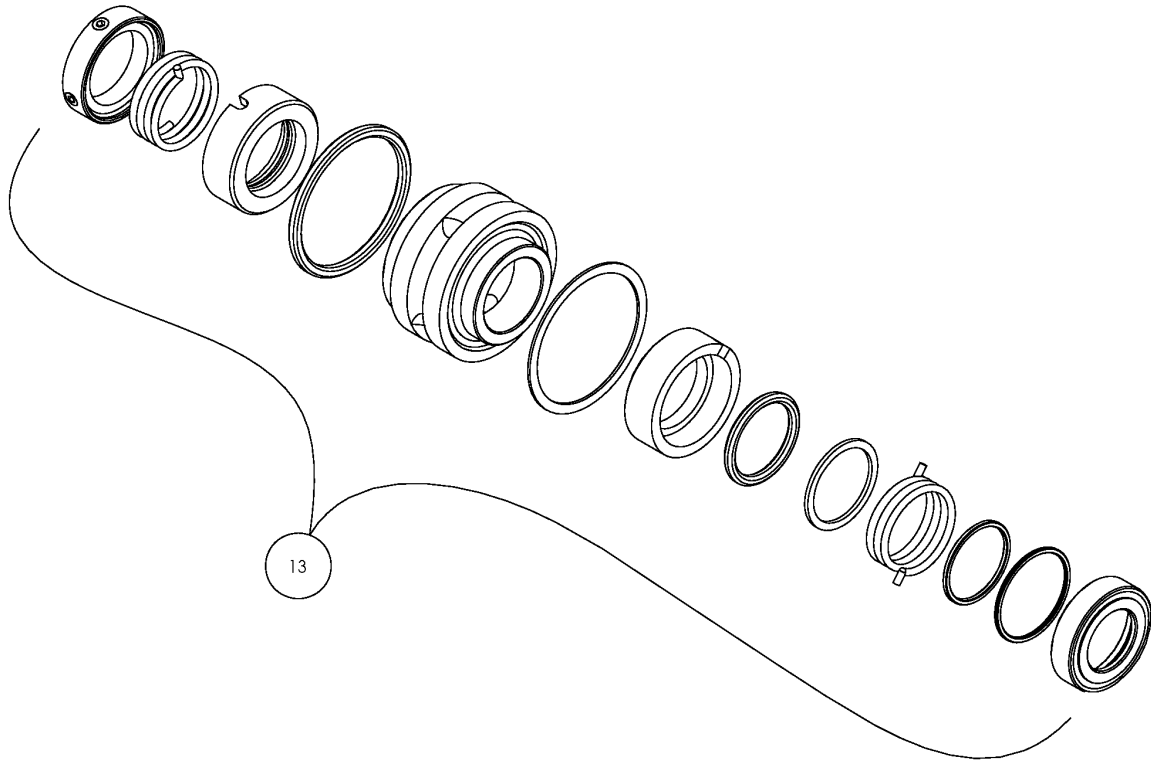
Ref #	Component Item No.	Description	Qty Per
13	GS2600000-SC	KIT,633,DBL SEAL,C/N/CE/V LD	1
	<i>GS2600006</i>	<i>KIT,633,DBL SEAL,C/C/C/V LD</i>	<i>1</i>
	<i>GS2600140</i>	<i>KIT,633,DBL SEAL,FR/C/CE/V LD</i>	<i>1</i>



Exploded View

Optional Items Shown in ITALICS

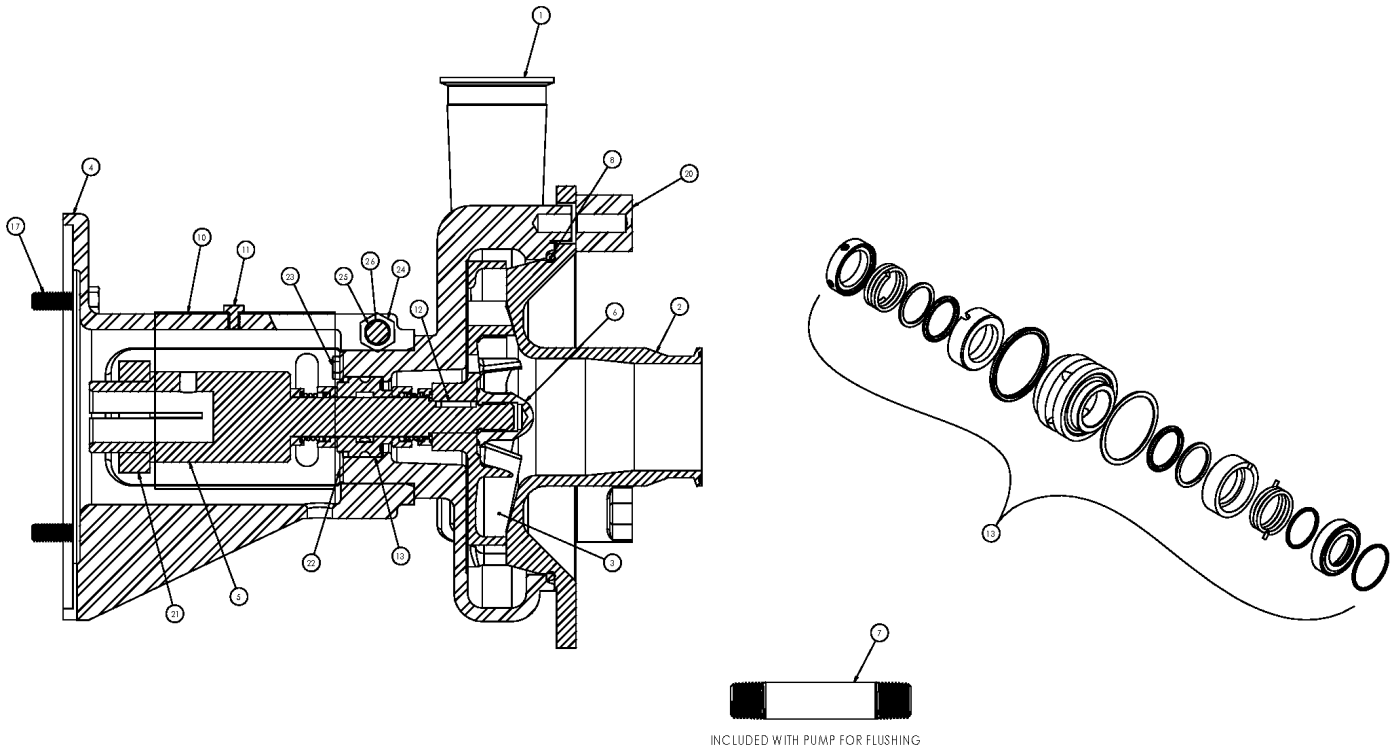
Ref #	Component Item No.	Description	Qty Per
1	SV38610000	CASING,140-210TC,2 CLMP LC V530	1
2	SC38620056	COVER,V530,2-1/2 CLAMP L SERIES	1
	SC38620161	COVER,V530,3 CLAMP L SERIES	1
3	SI38630134	IMPELLER,V530,175/18,175MAX LC/LD	1
4	SX10600287	ADAPTER,56C-140TC FRAME LD	1
5	SX21000117	STUBSHAFT,140TC,7/8 W/KEY LD	1
6	SI54000000	NUT,633,IMP,56C-210TC LC	1
7	SX10000007	NIPPLE,H2O FLUSH,1/8X2,304SS LD	2
8	GX80000334	GASKET,R20/31/V530,CVR,BUNA LC	1
	GX80000351	GASKET,R20/31/V530,CVR,EPDM LC	1
	GX80000335	GASKET,R20/31/V530,CVR,VIT LC	1
10	SX10614287	GUARD,SHAFT,ADPT,56-210TC,BOLT LDR/LDV	1
11	GX48104020	CAPSCRW,HX,1/4-28X3/8,18-8SS HX HD	1
12	SX15000002	KEY,56-280TSC LC	1
13	GS2600000-SC	KIT,633,DBL SEAL,C/N/CE/V LD	1
	GS2600006	KIT,633,DBL SEAL,C/C/C/V LD	1
	GS2600140	KIT,633,DBL SEAL,FR/C/CE/V LD	1
17	GX5077100	CAPSCRW,HX,3/8-16X1,18-8SS HX HD	4
20	SX03000020	NUT,WING LC SERIES	3
21	SX18000013	COLLAR,56C/140TC,SHAFT L SEE ITEM NOTES	1
22	SX48000021	RING,RETAINING,633 SEAL	1
23	GX48104020	CAPSCRW,HX,1/4-28X3/8,18-8SS HX HD	4
24	GX10610105	NUT,HEX,1/2-13,18-8SS L SERIES	1
25	GX10610100	CAPSCRW,HX,1/2-13X3-1/2,18-8SS HX HD	1
26	GX10610405	WASHER,LCK,1/2,18-8SS L SERIES	1



Exploded View - Seal Only

Optional Items Shown in ITALICS

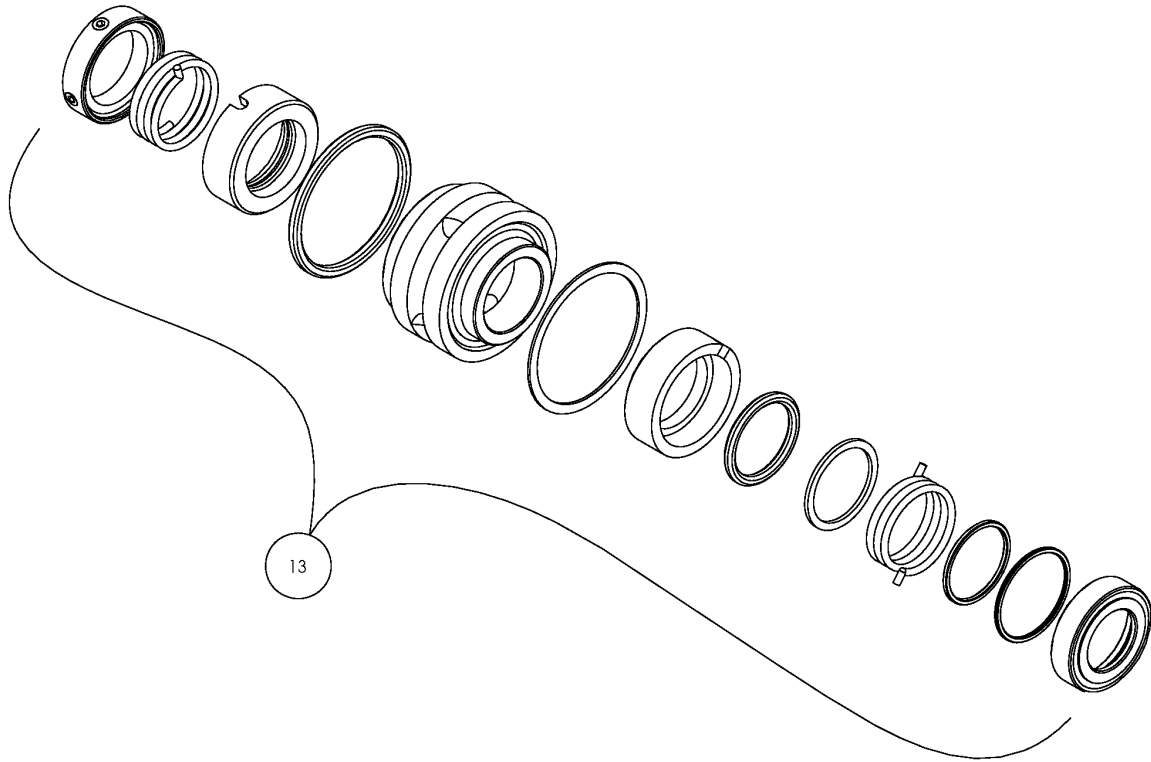
Ref #	Component Item No.	Description	Qty Per
13	GS2600000-SC	KIT,633,DBL SEAL,C/N/CE/V LD	1
	<i>GS2600006</i>	<i>KIT,633,DBL SEAL,C/C/C/V LD</i>	<i>1</i>
	<i>GS2600140</i>	<i>KIT,633,DBL SEAL,FR/C/CE/V LD</i>	<i>1</i>



Exploded View

Optional Items Shown in ITALICS

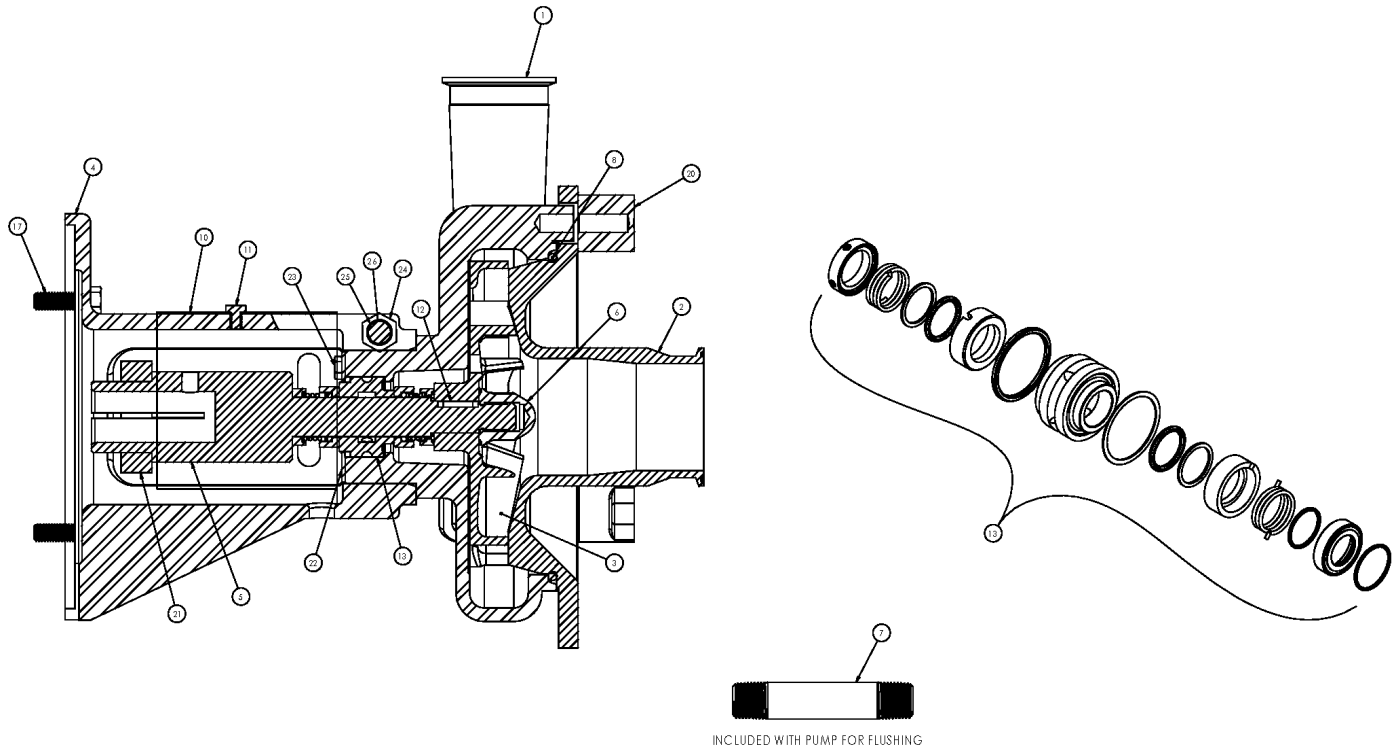
Ref #	Component Item No.	Description	Qty Per
1	SV38610000	CASING,140-210TC,2 CLMP LC V530	1
2	SC38620056	COVER,V530,2-1/2 CLAMP L SERIES	1
	SC38620161	COVER,V530,3 CLAMP L SERIES	1
3	SI38630134	IMPELLER,V530,175/18,175MAX LC/LD	1
4	SX10600207	ADAPTER,180-210TC FRAME LD	1
5	SX21000118	STUBSHAFT,180TC,1-1/8 W/KEY LD	1
6	SI54000000	NUT,633,IMP,56C-210TC LC	1
7	SX10000007	NIPPLE,H2O FLUSH,1/8X2,304SS LD	2
8	GX80000334	GASKET,R20/31/V530,CVR,BUNA LC	1
	GX80000351	GASKET,R20/31/V530,CVR,EPDM LC	1
	GX80000335	GASKET,R20/31/V530,CVR,VIT LC	1
10	SX10614287	GUARD,SHAFT,ADPT,56-210TC,BOLT LDR/LDV	1
11	GX48104020	CAPSCRW,HX,1/4-28X3/8,18-8SS HX HD	1
12	SX15000002	KEY,56-280TSC LC	1
13	GS2600000-SC	KIT,633,DBL SEAL,C/N/CE/V LD	1
	GS2600006	KIT,633,DBL SEAL,C/C/C/V LD	1
	GS2600140	KIT,633,DBL SEAL,FR/C/CE/V LD	1
17	SC1710H-SS	CAPSCRW,HX,1/2-13X1,18-8SS HX HD	4
20	SX03000020	NUT,WING LC SERIES	3
21	SX18000014	COLLAR,180TC,SHAFT LC	1
22	SX48000021	RING,RETAINING,633 SEAL	1
23	GX48104020	CAPSCRW,HX,1/4-28X3/8,18-8SS HX HD	4
24	GX10610105	NUT,HEX,1/2-13,18-8SS L SERIES	1
25	GX10610100	CAPSCRW,HX,1/2-13X3-1/2,18-8SS HX HD	1
26	GX10610405	WASHER,LCK,1/2,18-8SS L SERIES	1



Exploded View - Seal Only

Optional Items Shown in ITALICS

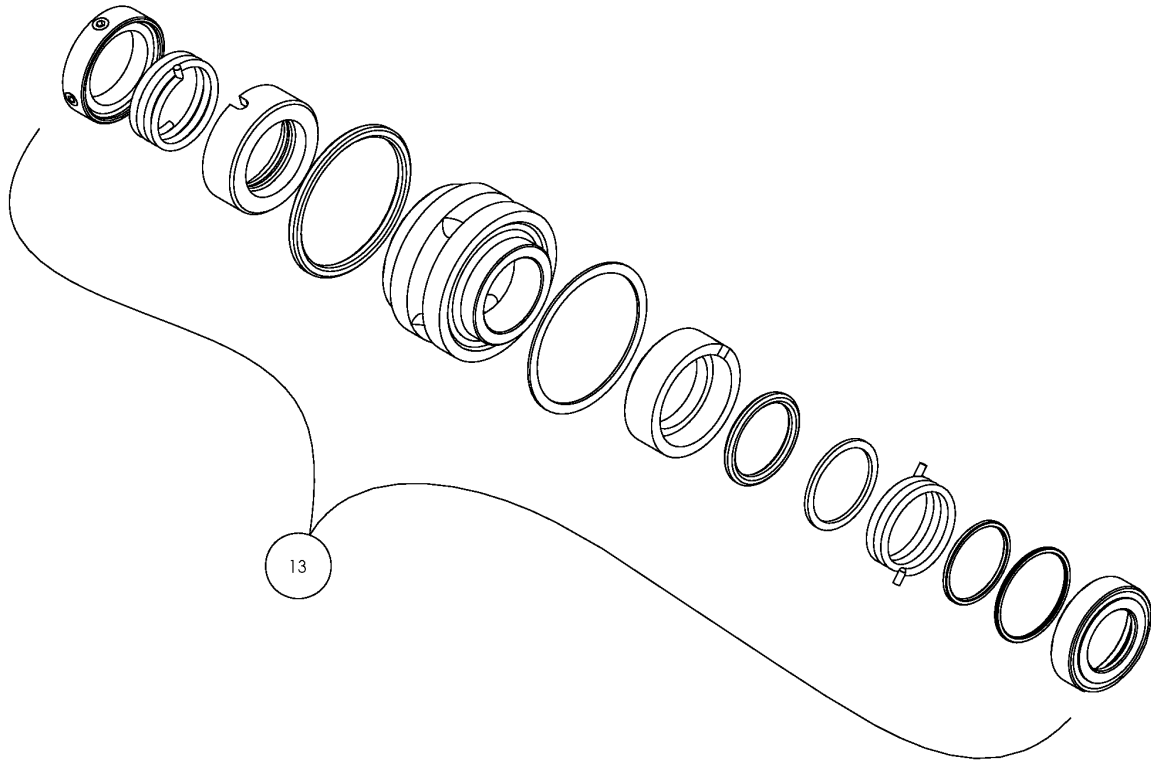
Ref #	Component Item No.	Description	Qty Per
13	GS2600000-SC	KIT,633,DBL SEAL,C/N/CE/V LD	1
	<i>GS2600006</i>	<i>KIT,633,DBL SEAL,C/C/C/V LD</i>	<i>1</i>
	<i>GS2600140</i>	<i>KIT,633,DBL SEAL,FR/C/CE/V LD</i>	<i>1</i>



Exploded View

Optional Items Shown in ITALICS

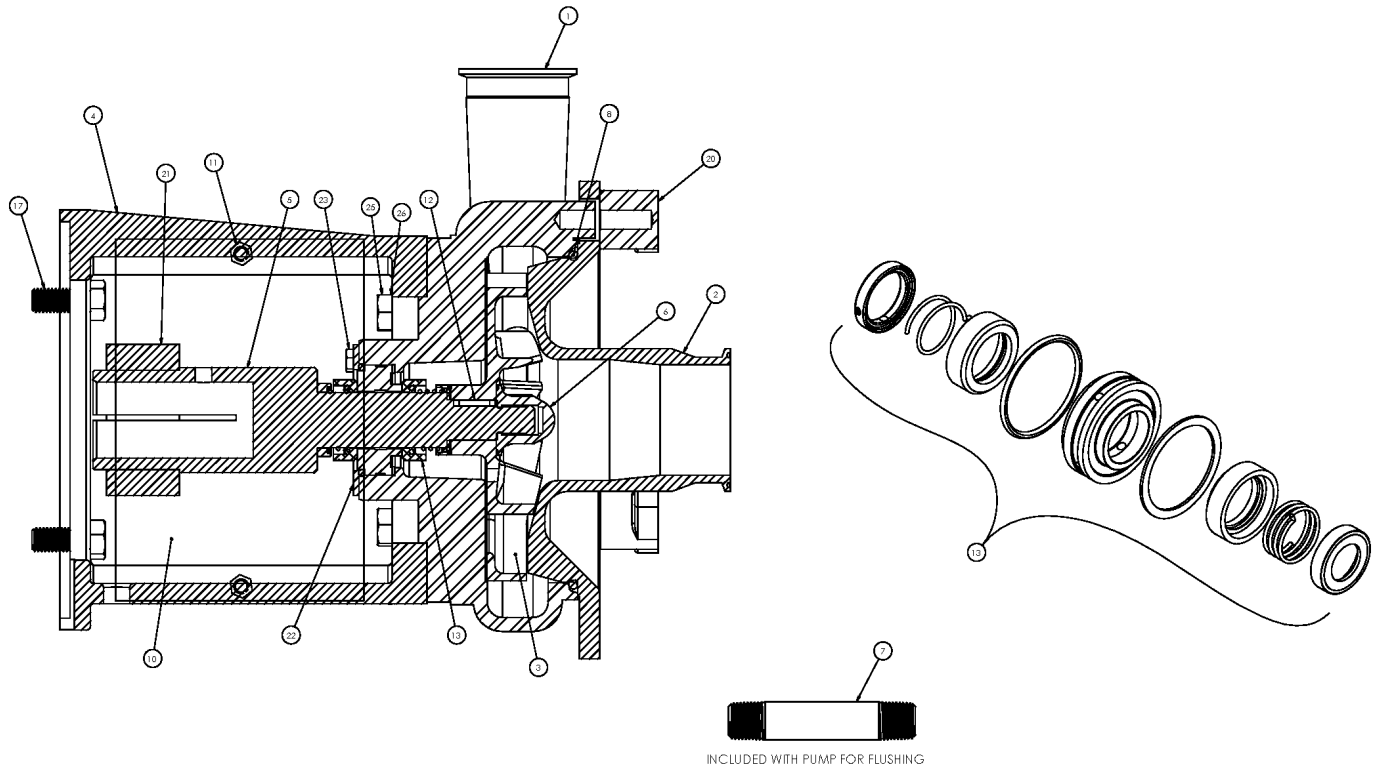
Ref #	Component Item No.	Description	Qty Per
1	SV38610000	CASING,140-210TC,2 CLMP LC V530	1
2	SC38620056	COVER,V530,2-1/2 CLAMP L SERIES	1
	SC38620161	COVER,V530,3 CLAMP L SERIES	1
3	SI38630134	IMPELLER,V530,175/18,175MAX LC/LD	1
4	SX10600207	ADAPTER,180-210TC FRAME LD	1
5	SX21000119	STUBSHAFT,210TC,1-3/8 W/KEY LD	1
6	SI54000000	NUT,633,IMP,56C-210TC LC	1
7	SX10000007	NIPPLE,H2O FLUSH,1/8X2,304SS LD	2
8	GX80000334	GASKET,R20/31/V530,CVR,BUNA LC	1
	GX80000351	GASKET,R20/31/V530,CVR,EPDM LC	1
	GX80000335	GASKET,R20/31/V530,CVR,VIT LC	1
10	SX10614287	GUARD,SHAFT,ADPT,56-210TC,BOLT LDR/LDV	1
11	GX48104020	CAPSCRW,HX,1/4-28X3/8,18-8SS HX HD	1
12	SX15000002	KEY,56-280TSC LC	1
13	GS2600000-SC	KIT,633,DBL SEAL,C/N/CE/V LD	1
	GS2600006	KIT,633,DBL SEAL,C/C/C/V LD	1
	GS2600140	KIT,633,DBL SEAL,FR/C/CE/V LD	1
17	SC1710H-SS	CAPSCRW,HX,1/2-13X1,18-8SS HX HD	4
20	SX03000020	NUT,WING LC SERIES	3
21	SX18000015	COLLAR,210TC,SHAFT LC	1
22	SX48000021	RING,RETAINING,633 SEAL	1
23	GX48104020	CAPSCRW,HX,1/4-28X3/8,18-8SS HX HD	4
24	GX10610105	NUT,HEX,1/2-13,18-8SS L SERIES	1
25	GX10610100	CAPSCRW,HX,1/2-13X3-1/2,18-8SS HX HD	1



Exploded View - Seal Only

Optional Items Shown in ITALICS

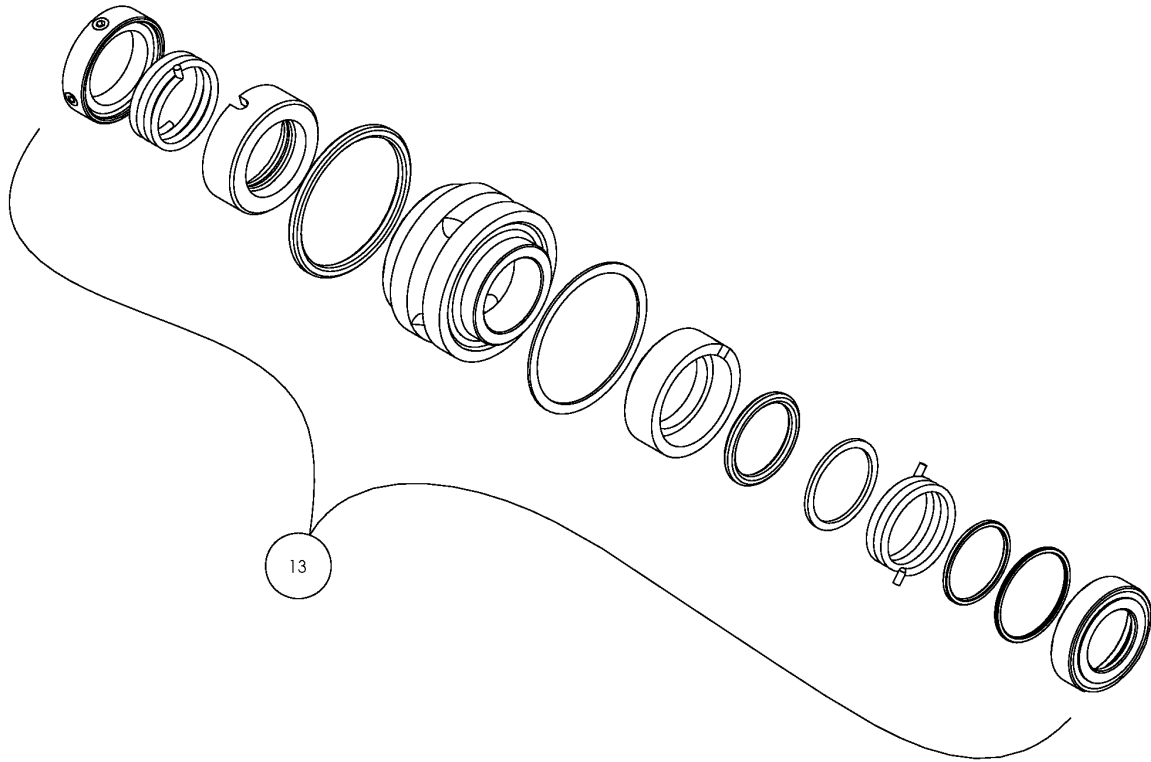
Ref #	Component Item No.	Description	Qty Per
13	GS2600006	<i>KIT,633,DBL SEAL,C/C/C/V LD</i>	1
	GS2600140	<i>KIT,633,DBL SEAL,FR/C/CE/V LD</i>	1



Exploded View

Optional Items Shown in ITALICS

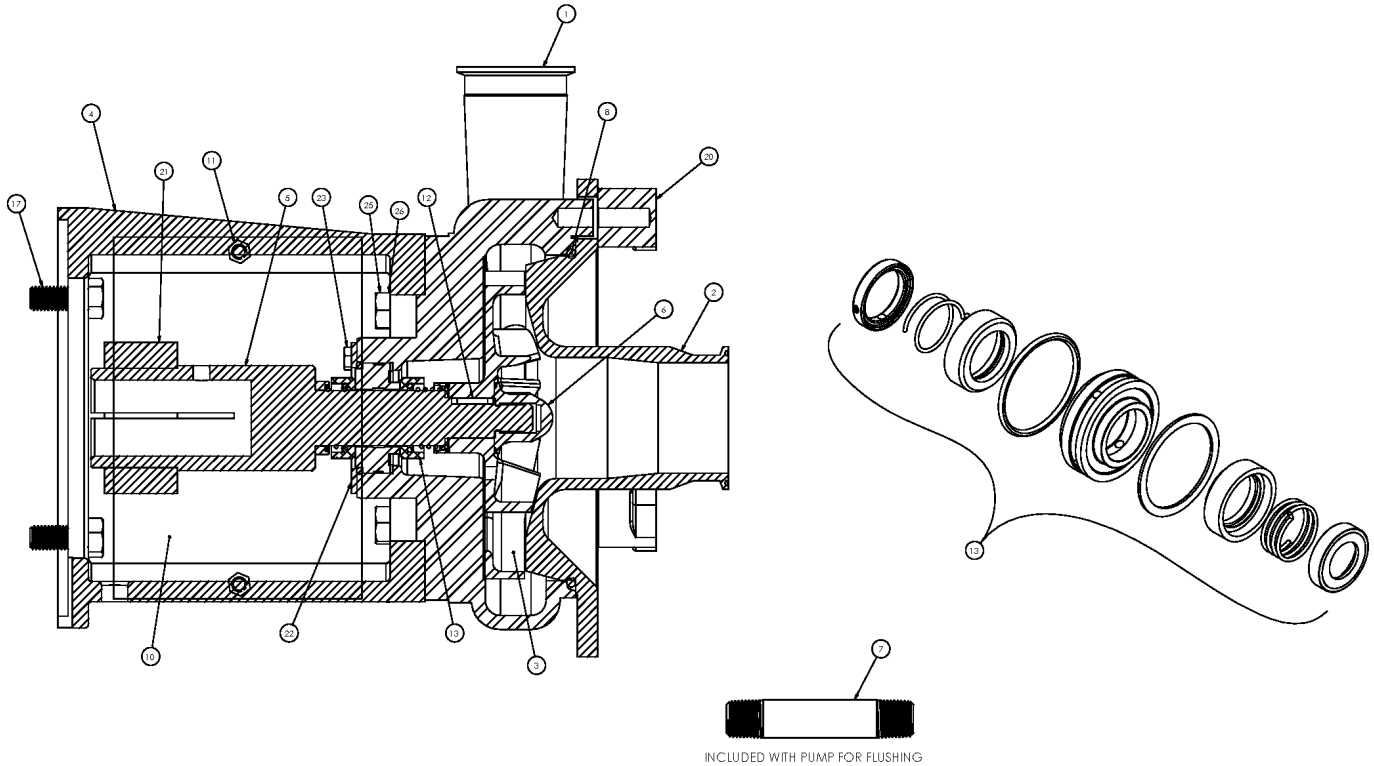
Ref #	Component Item No.	Description	Qty Per
1	SV38610001	CASING,250TC 280TSC,2 CLMP LC/LD V530	1
2	SC38620056	COVER,V530,2-1/2 CLAMP L SERIES	1
	SC38620161	COVER,V530,3 CLAMP L SERIES	1
3	SI38630138	IMPELLER,V530,175/22,175MAX LC/LD	1
4	SX10600120	ADAPTER,210-250TC FRAME LCX/LD	1
5	SX21000100	STUBSHAFT,250TC/280TSC,1-5/8 W/KEY LD	1
6	SI54000007	NUT,735,IMP,250TC-280TC	1
7	SX10000007	NIPPLE,H20 FLUSH,1/8X2,304SS LD	2
8	GX80000334	GASKET,R20/31/V530,CVR,BUNA LC	1
	GX80000351	GASKET,R20/31/V530,CVR,EPDM LC	1
	GX80000335	GASKET,R20/31/V530,CVR,VIT LC	1
10	SX10628089	GUARD,SHAFT,DBL FLNGE ADPTRS LC	2
11	GX48104020	CAPSCRW,HX,1/4-28X3/8,18-8SS HX HD	4
12	SX15000002	KEY,56-280TSC LC	1
13	GS2600128-SC	KIT,735,DBL SEAL,C/N/CE/V LD	1
	GS2600130	KIT,735,DBL SEAL,C/C/C/V LD	1
	GS2600128	KIT,735,DBL SEAL,CO/N/CE/V LD	1
17	SC1710H-SS	CAPSCRW,HX,1/2-13X1,18-8SS HX HD	4
20	SX03000020	NUT,WING LC SERIES	3
21	SX18000035	COLLAR,250TC/280TSC,SHAFT LC	1
22	SX48000022	RING,RETAINING,735,280TC 735 SEAL	1
23	GX48104020	CAPSCRW,HX,1/4-28X3/8,18-8SS HX HD	4
25	GX10610400	CAPSCRW,HX,M12-1.75X30MM,18-8S HX HD	4
26	GX10610405	WASHER,LCK,1/2,18-8SS L SERIES	4



Exploded View - Seal Only

Optional Items Shown in ITALICS

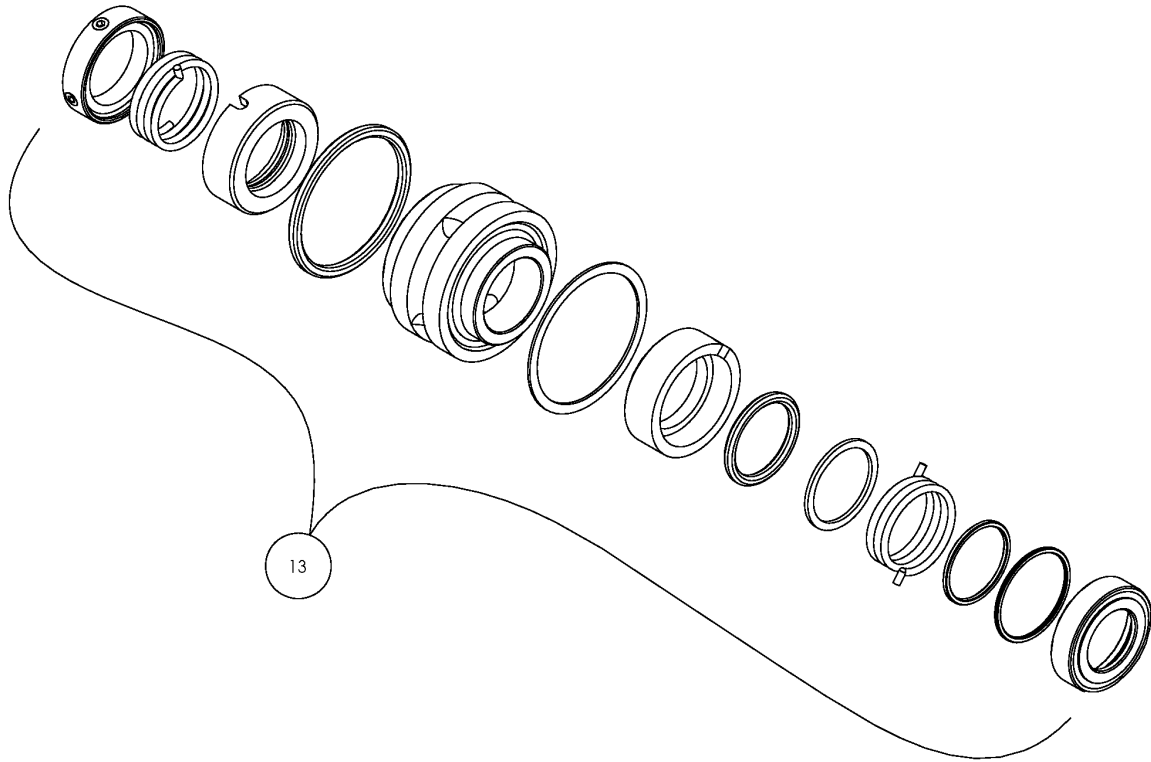
Ref #	Component Item No.	Description	Qty Per
13	GS2600128-SC	KIT,735,DBL SEAL,C/N/CE/V LD	1
	<i>GS2600130</i>	<i>KIT,735,DBL SEAL,C/C/C/V LD</i>	<i>1</i>
	<i>GS2600128</i>	<i>KIT,735,DBL SEAL,CO/N/CE/V LD</i>	<i>1</i>



Exploded View

Optional Items Shown in ITALICS

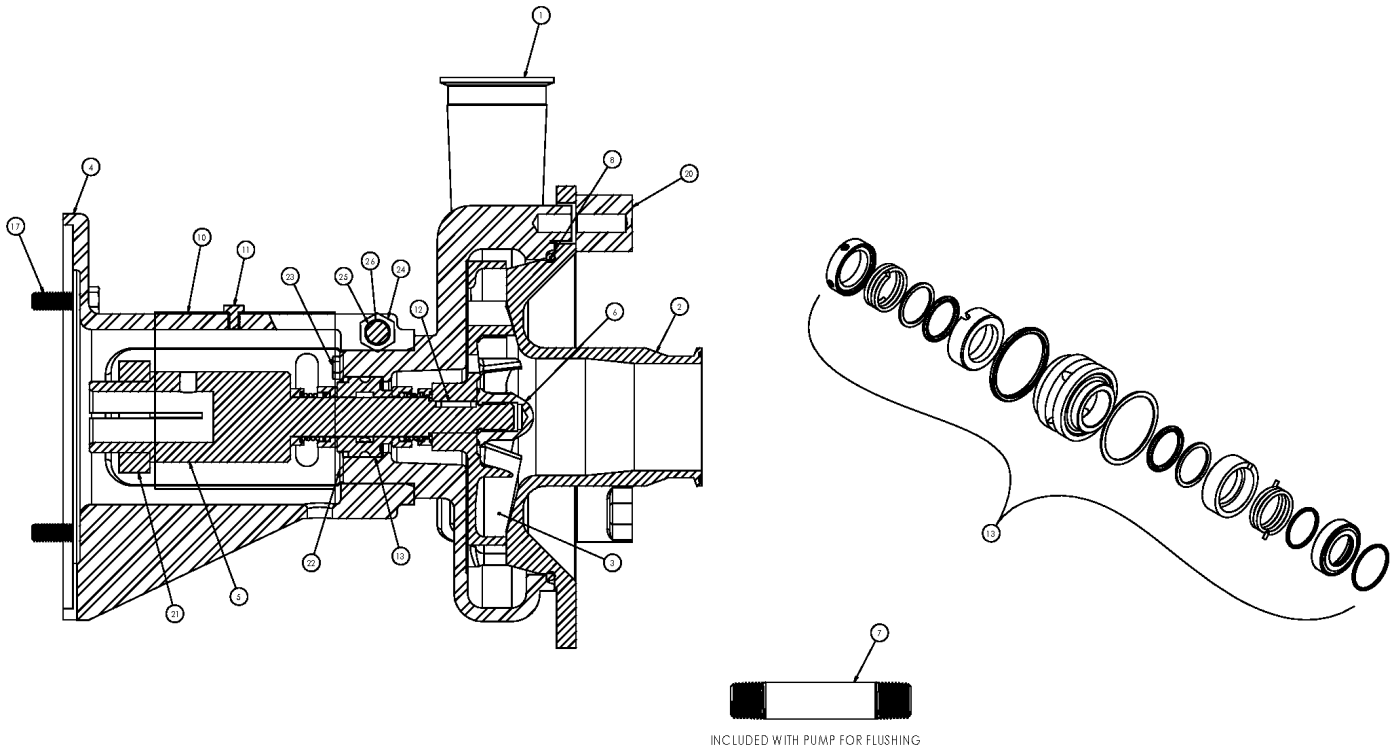
Ref #	Component Item No.	Description	Qty Per
1	SV38610001	CASING,250TC 280TSC,2 CLMP LC/LD V530	1
2	SC38620056	COVER,V530,2-1/2 CLAMP L SERIES	1
	SC38620161	COVER,V530,3 CLAMP L SERIES	1
3	SI38630138	IMPELLER,V530,175/22,175MAX LC/LD	1
4	SX10600089	ADAPTER,280TC/TSC FRAME LC/LD	1
5	SX21000100	STUBSHAFT,250TC/280TSC,1-5/8 W/KEY LD	1
6	SI54000007	NUT,735,IMP,250TC-280TC	1
7	SX10000007	NIPPLE,H20 FLUSH,1/8X2,304SS LD	2
8	GX80000334	GASKET,R20/31/V530,CVR,BUNA LC	1
	GX80000351	GASKET,R20/31/V530,CVR,EPDM LC	1
	GX80000335	GASKET,R20/31/V530,CVR,VIT LC	1
10	SX10628089	GUARD,SHAFT,DBL FLNGE ADPTRS LC	2
11	GX48104020	CAPSCRW,HX,1/4-28X3/8,18-8SS HX HD	4
12	SX15000002	KEY,56-280TSC LC	1
13	GS2600128-SC	KIT,735,DBL SEAL,C/N/CE/V LD	1
	GS2600130	KIT,735,DBL SEAL,C/C/C/V LD	1
	GS2600128	KIT,735,DBL SEAL,CO/N/CE/V LD	1
17	SC1710H-SS	CAPSCRW,HX,1/2-13X1,18-8SS HX HD	4
20	SX03000020	NUT,WING LC SERIES	3
21	SX18000035	COLLAR,250TC/280TSC,SHAFT LC	1
22	SX48000022	RING,RETAINING,735,280TC 735 SEAL	1
23	GX48104020	CAPSCRW,HX,1/4-28X3/8,18-8SS HX HD	4
25	GX10610400	CAPSCRW,HX,M12-1.75X30MM,18-8S HX HD	4
26	GX10610405	WASHER,LCK,1/2,18-8SS L SERIES	4



Exploded View - Seal Only

Optional Items Shown in ITALICS

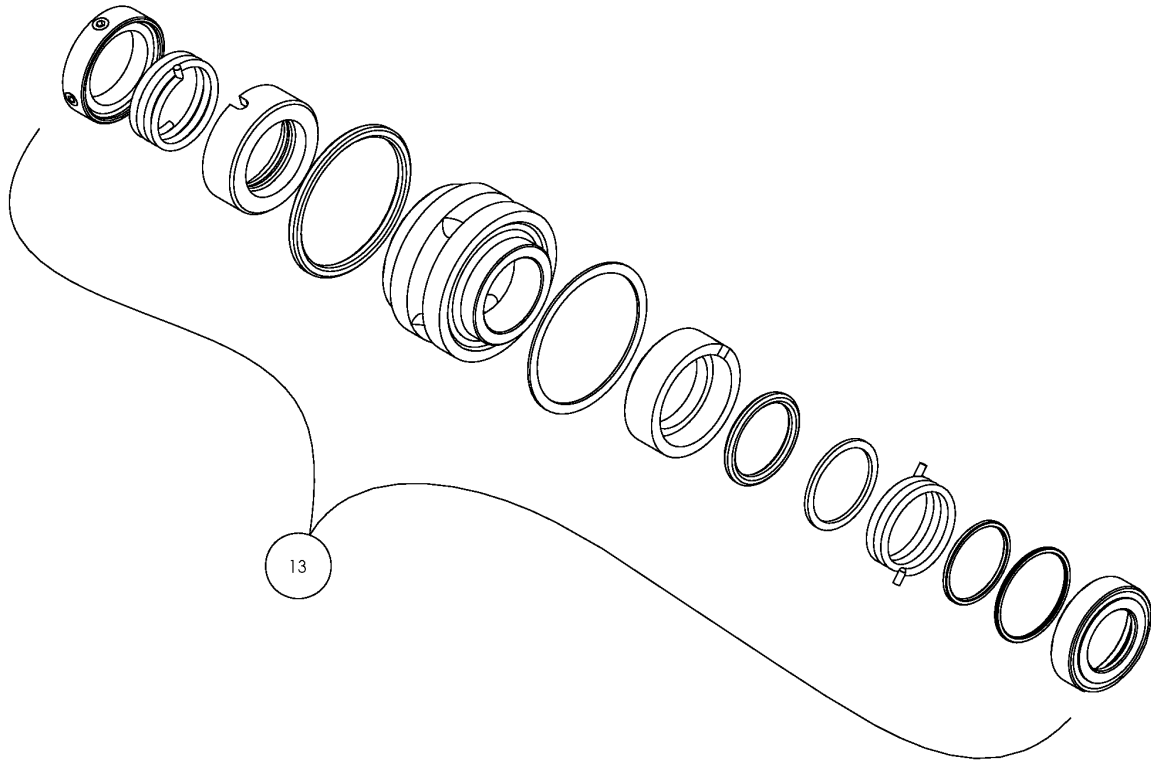
Ref #	Component Item No.	Description	Qty Per
13	GS2600128-SC	KIT,735,DBL SEAL,C/N/CE/V LD	1
	<i>GS2600130</i>	<i>KIT,735,DBL SEAL,C/C/C/V LD</i>	<i>1</i>
	<i>GS2600128</i>	<i>KIT,735,DBL SEAL,CO/N/CE/V LD</i>	<i>1</i>



Exploded View

Optional Items Shown in ITALICS

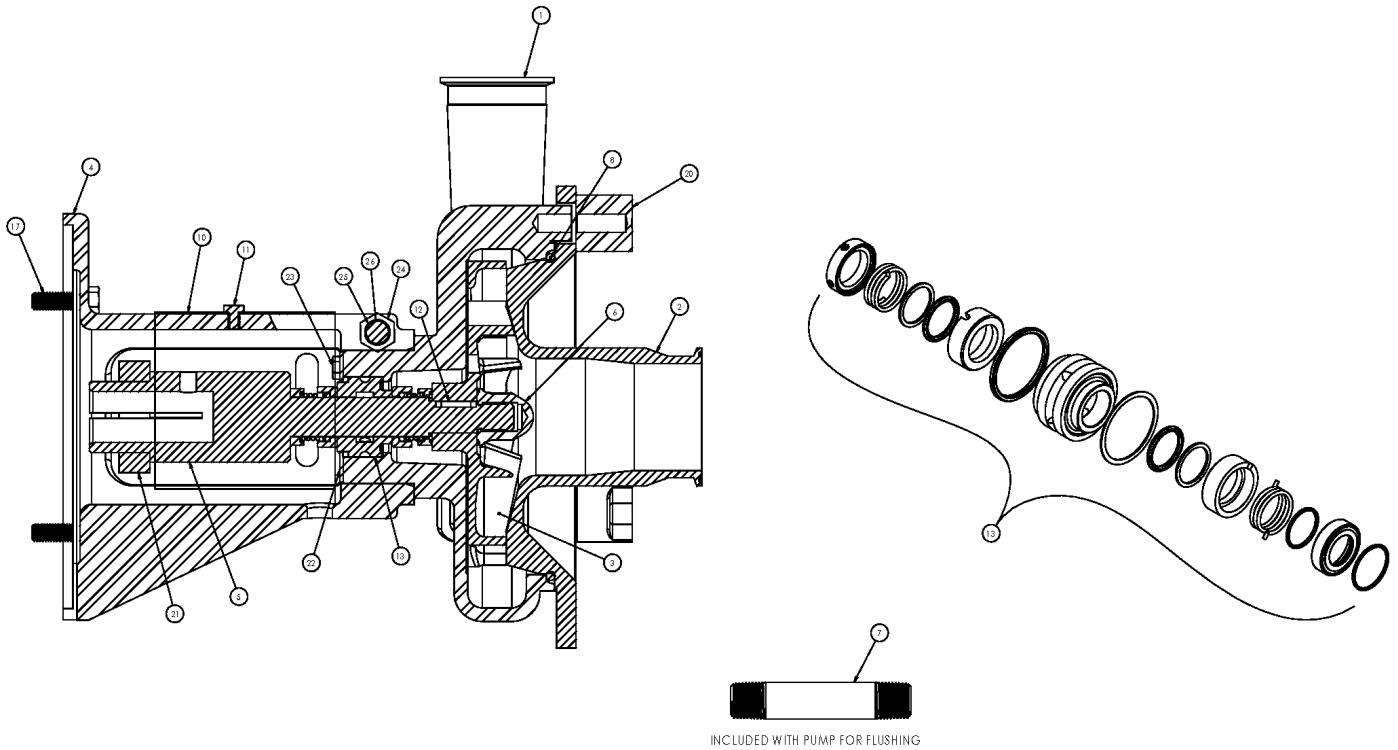
Ref #	Component Item No.	Description	Qty Per
1	SV48610000	CASING,140-210TC,2-1/2 CLMP LC V540	1
2	SC48620098	COVER,V540,3 CLAMP L SERIES	1
	SC48620245	COVER,V540,4 CLAMP L SERIES	1
3	SI48630228	IMPELLER,V540,205/18,205MAX LC/LD	1
4	SX10600287	ADAPTER,56C-140TC FRAME LD	1
5	SX21000117	STUBSHAFT,140TC,7/8 W/KEY LD	1
6	SI54000000	NUT,633,IMP,56C-210TC LC	1
7	SX10000007	NIPPLE,H20 FLUSH,1/8X2,304SS LD	2
8	GX80000336	GASKET,V540,CVR,BUNA LC	1
	GX80000058	GASKET,V540,CVR,EPDM LC	1
	GX80000019	GASKET,V540,CVR,VIT LC	1
10	SX10614287	GUARD,SHAFT,ADPT,56-210TC,BOLT LDR/LDV	1
11	GX48104020	CAPSCRW,HX,1/4-28X3/8,18-8SS HX HD	1
12	SX15000002	KEY,56-280TSC LC	1
13	GS2600000-SC	KIT,633,DBL SEAL,C/N/CE/V LD	1
	GS2600006	KIT,633,DBL SEAL,C/C/C/V LD	1
	GS2600140	KIT,633,DBL SEAL,FR/C/CE/V LD	1
17	GX5077100	CAPSCRW,HX,3/8-16X1,18-8SS HX HD	4
20	SX03000020	NUT,WING LC SERIES	5
21	SX18000013	COLLAR,56C/140TC,SHAFT L SEE ITEM NOTES	1
22	SX48000021	RING,RETAINING,633 SEAL	1
23	GX48104020	CAPSCRW,HX,1/4-28X3/8,18-8SS HX HD	4
24	GX10610105	NUT,HEX,1/2-13,18-8SS L SERIES	1
25	GX10610100	CAPSCRW,HX,1/2-13X3-1/2,18-8SS HX HD	1
26	GX10610405	WASHER,LCK,1/2,18-8SS L SERIES	1



Exploded View - Seal Only

Optional Items Shown in ITALICS

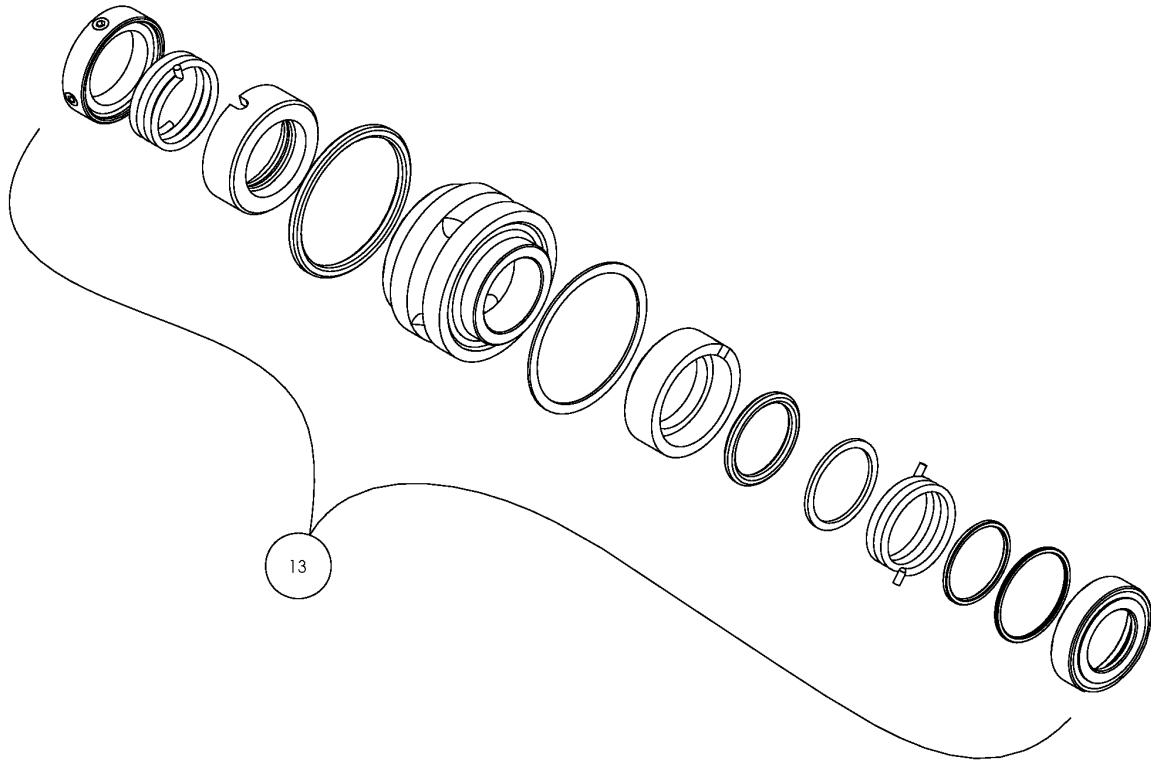
Ref #	Component Item No.	Description	Qty Per
13	GS2600000-SC	KIT,633,DBL SEAL,C/N/CE/V LD	1
	<i>GS2600006</i>	<i>KIT,633,DBL SEAL,C/C/C/V LD</i>	<i>1</i>
	<i>GS2600140</i>	<i>KIT,633,DBL SEAL,FR/C/CE/V LD</i>	<i>1</i>



Exploded View

Optional Items Shown in ITALICS

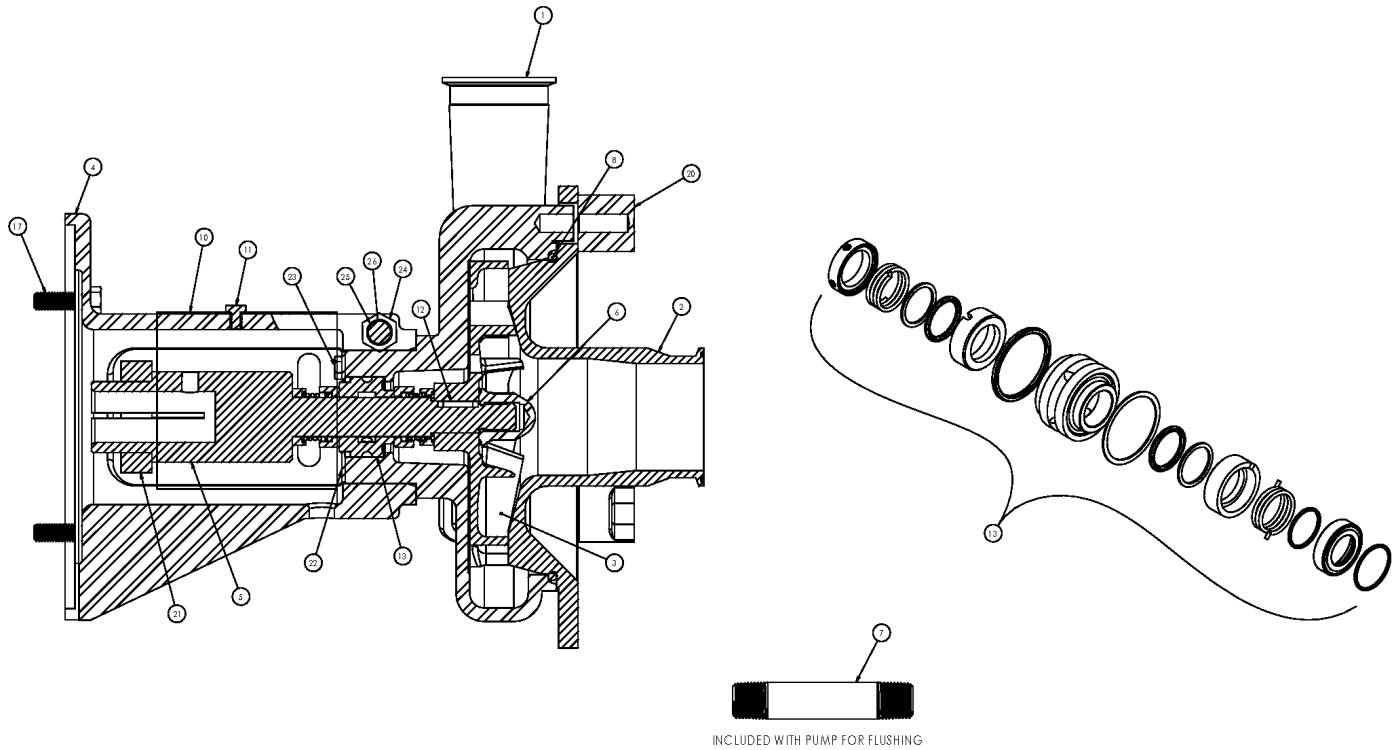
Ref #	Component Item No.	Description	Qty Per
1	SV48610000	CASING,140-210TC,2-1/2 CLMP LC V540	1
2	SC48620098	COVER,V540,3 CLAMP L SERIES	1
	SC48620245	COVER,V540,4 CLAMP L SERIES	1
3	SI48630228	IMPELLER,V540,205/18,205MAX LC/LD	1
4	SX10600207	ADAPTER,180-210TC FRAME LD	1
5	SX21000118	STUBSHAFT,180TC,1-1/8 W/KEY LD	1
6	SI54000000	NUT,633,IMP,56C-210TC LC	1
7	SX10000007	NIPPLE,H20 FLUSH,1/8X2,304SS LD	2
8	GX80000336	GASKET,V540,CVR,BUNA LC	1
	GX80000058	GASKET,V540,CVR,EPDM LC	1
	GX80000019	GASKET,V540,CVR,VIT LC	1
10	SX10614287	GUARD,SHAFT,ADPT,56-210TC,BOLT LDR/LDV	1
11	GX48104020	CAPSCRW,HX,1/4-28X3/8,18-8SS HX HD	1
12	SX15000002	KEY,56-280TSC LC	1
13	GS2600000-SC	KIT,633,DBL SEAL,C/N/CE/V LD	1
	GS2600006	KIT,633,DBL SEAL,C/C/C/V LD	1
	GS2600140	KIT,633,DBL SEAL,FR/C/CE/V LD	1
17	SC1710H-SS	CAPSCRW,HX,1/2-13X1,18-8SS HX HD	4
20	SX03000020	NUT,WING LC SERIES	5
21	SX18000014	COLLAR,180TC,SHAFT LC	1
22	SX48000021	RING,RETAINING,633 SEAL	1
23	GX48104020	CAPSCRW,HX,1/4-28X3/8,18-8SS HX HD	4
24	GX10610105	NUT,HEX,1/2-13,18-8SS L SERIES	1
25	GX10610100	CAPSCRW,HX,1/2-13X3-1/2,18-8SS HX HD	1
26	GX10610405	WASHER,LCK,1/2,18-8SS L SERIES	1



Exploded View - Seal Only

Optional Items Shown in ITALICS

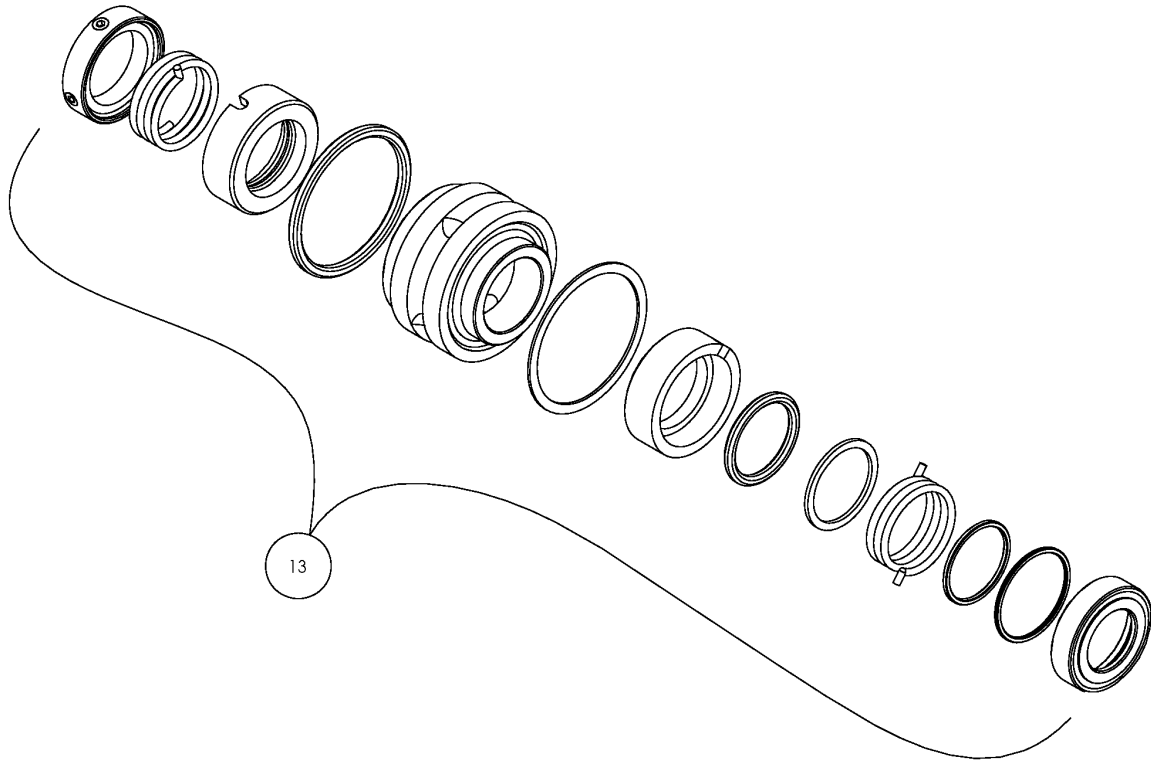
Ref #	Component Item No.	Description	Qty Per
13	GS2600000-SC	KIT,633,DBL SEAL,C/N/CE/V LD	1
	<i>GS2600006</i>	<i>KIT,633,DBL SEAL,C/C/C/V LD</i>	<i>1</i>
	<i>GS2600140</i>	<i>KIT,633,DBL SEAL,FR/C/CE/V LD</i>	<i>1</i>



Exploded View

Optional Items Shown in ITALICS

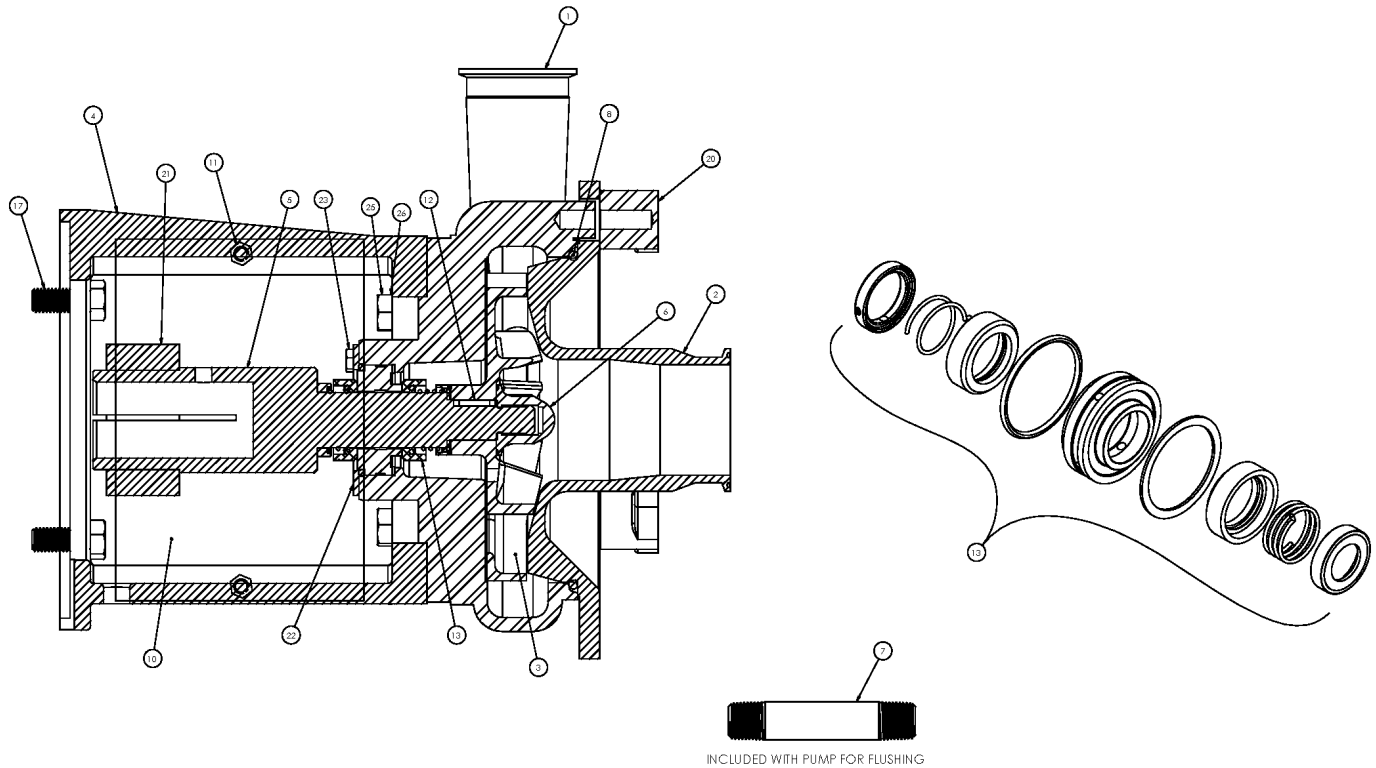
Ref #	Component Item No.	Description	Qty Per
1	SV48610000	CASING,140-210TC,2-1/2 CLMP LC V540	1
2	SC48620098	COVER,V540,3 CLAMP L SERIES	1
	SC48620245	COVER,V540,4 CLAMP L SERIES	1
3	SI48630228	IMPELLER,V540,205/18,205MAX LC/LD	1
4	SX10600207	ADAPTER,180-210TC FRAME LD	1
5	SX21000119	STUBSHAFT,210TC,1-3/8 W/KEY LD	1
6	SI54000000	NUT,633,IMP,56C-210TC LC	1
7	SX10000007	NIPPLE,H20 FLUSH,1/8X2,304SS LD	2
8	GX80000336	GASKET,V540,CVR,BUNA LC	1
	GX80000058	GASKET,V540,CVR,EPDM LC	1
	GX80000019	GASKET,V540,CVR,VIT LC	1
10	SX10614287	GUARD,SHAFT,ADPT,56-210TC,BOLT LDR/LDV	1
11	GX48104020	CAPSCRW,HX,1/4-28X3/8,18-8SS HX HD	1
12	SX15000002	KEY,56-280TSC LC	1
13	GS2600000-SC	KIT,633,DBL SEAL,C/N/CE/V LD	1
	GS2600006	KIT,633,DBL SEAL,C/C/C/V LD	1
	GS2600140	KIT,633,DBL SEAL,FR/C/CE/V LD	1
17	SC1710H-SS	CAPSCRW,HX,1/2-13X1,18-8SS HX HD	4
20	SX03000020	NUT,WING LC SERIES	5
21	SX18000015	COLLAR,210TC,SHAFT LC	1
22	SX48000021	RING,RETAINING,633 SEAL	1
23	GX48104020	CAPSCRW,HX,1/4-28X3/8,18-8SS HX HD	4
24	GX10610105	NUT,HEX,1/2-13,18-8SS L SERIES	1
25	GX10610100	CAPSCRW,HX,1/2-13X3-1/2,18-8SS HX HD	1
26	GX10610405	WASHER,LCK,1/2,18-8SS L SERIES	1



Exploded View - Seal Only

Optional Items Shown in ITALICS

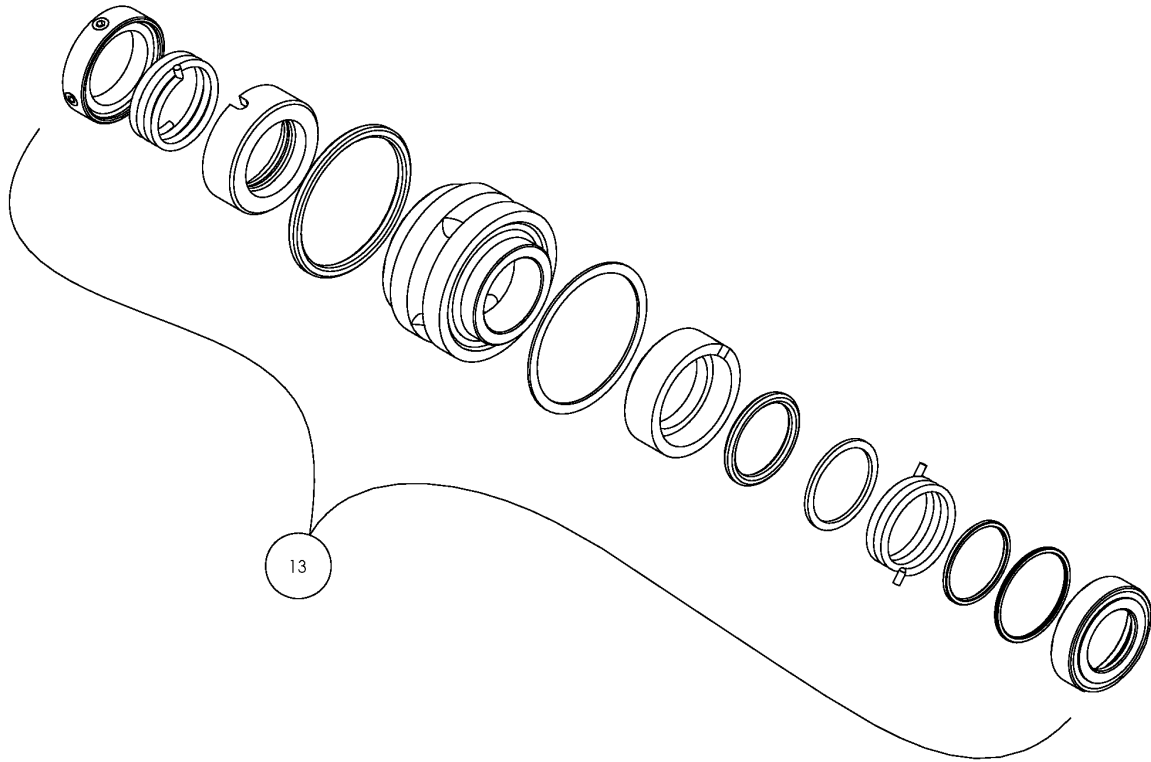
Ref #	Component Item No.	Description	Qty Per
13	GS2600000-SC	KIT,633,DBL SEAL,C/N/CE/V LD	1
	<i>GS2600006</i>	<i>KIT,633,DBL SEAL,C/C/C/V LD</i>	<i>1</i>
	<i>GS2600140</i>	<i>KIT,633,DBL SEAL,FR/C/CE/V LD</i>	<i>1</i>



Exploded View

Optional Items Shown in ITALICS

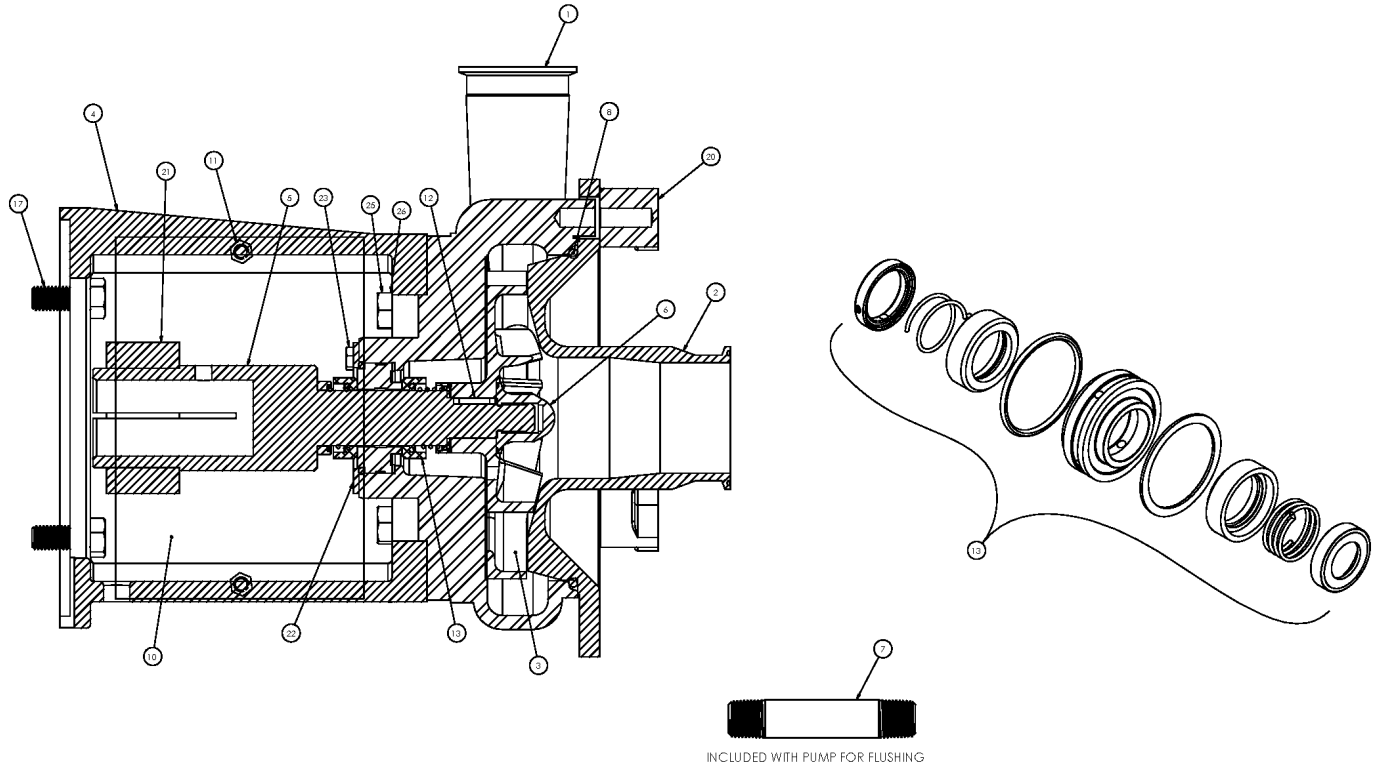
Ref #	Component Item No.	Description	Qty Per
1	SV48610001	CASING,280TSC,2-1/2 CLMP LC V540	1
2	SC48620098	COVER,V540,3 CLAMP L SERIES	1
	SC48620245	COVER,V540,4 CLAMP L SERIES	1
3	SI48630224	IMPELLER,V540,205/22,205MAX LC/LD/LF	1
4	SX10600120	ADAPTER,210-250TC FRAME LCX/LD	1
5	SX21000100	STUBSHAFT,250TC/280TSC,1-5/8 W/KEY LD	1
6	SI54000007	NUT,735,IMP,250TC-280TC	1
7	SX10000007	NIPPLE,H20 FLUSH,1/8X2,304SS LD	2
8	GX80000336	GASKET,V540,CVR,BUNA LC	1
	GX80000058	GASKET,V540,CVR,EPDM LC	1
	GX80000019	GASKET,V540,CVR,VIT LC	1
10	SX10628089	GUARD,SHAFT,DBL FLNGE ADPTRS LC	2
11	GX48104020	CAPSCRW,HX,1/4-28X3/8,18-8SS HX HD	4
12	SX15000002	KEY,56-280TSC LC	1
13	GS2600128-SC	KIT,735,DBL SEAL,C/N/CE/V LD	1
	GS2600130	KIT,735,DBL SEAL,C/C/C/V LD	1
	GS2600128	KIT,735,DBL SEAL,CO/N/CE/V LD	1
17	SC1710H-SS	CAPSCRW,HX,1/2-13X1,18-8SS HX HD	4
20	SX03000020	NUT,WING LC SERIES	5
21	SX18000035	COLLAR,250TC/280TSC,SHAFT LC	1
22	SX48000022	RING,RETAINING,735,280TC 735 SEAL	1
23	GX48104020	CAPSCRW,HX,1/4-28X3/8,18-8SS HX HD	4
25	GX10610400	CAPSCRW,HX,M12-1.75X30MM,18-8S HX HD	4
26	GX10610405	WASHER,LCK,1/2,18-8SS L SERIES	4



Exploded View - Seal Only

Optional Items Shown in ITALICS

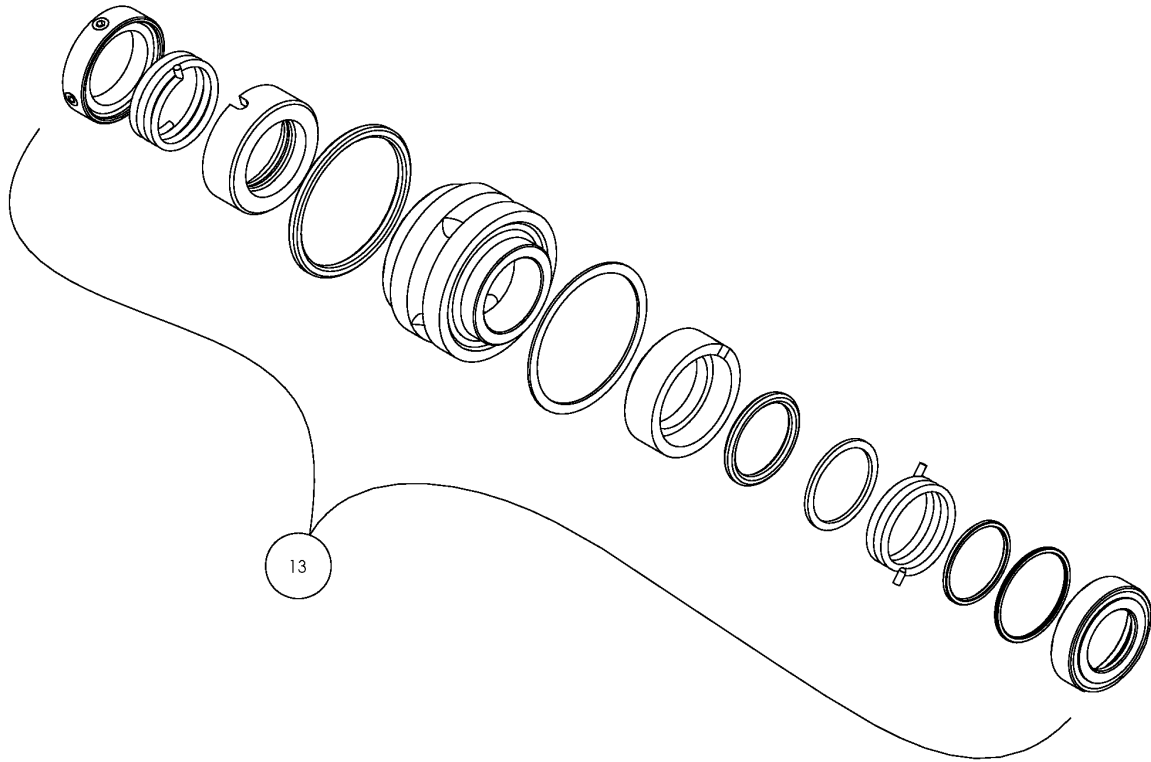
Ref #	Component Item No.	Description	Qty Per
13	GS2600128-SC	KIT,735,DBL SEAL,C/N/CE/V LD	1
	<i>GS2600130</i>	<i>KIT,735,DBL SEAL,C/C/C/V LD</i>	<i>1</i>
	<i>GS2600128</i>	<i>KIT,735,DBL SEAL,CO/N/CE/V LD</i>	<i>1</i>



Exploded View

Optional Items Shown in ITALICS

Ref #	Component Item No.	Description	Qty Per
1	SV48610001	CASING,280TSC,2-1/2 CLMP LC V540	1
2	SC48620098	COVER,V540,3 CLAMP L SERIES	1
	SC48620245	COVER,V540,4 CLAMP L SERIES	1
3	SI48630224	IMPELLER,V540,205/22,205MAX LC/LD/LF	1
4	SX10600089	ADAPTER,280TC/TSC FRAME LC/LD	1
5	SX21000100	STUBSHAFT,250TC/280TSC,1-5/8 W/KEY LD	1
6	SI54000007	NUT,735,IMP,250TC-280TC	1
7	SX10000007	NIPPLE,H20 FLUSH,1/8X2,304SS LD	2
8	GX80000336	GASKET,V540,CVR,BUNA LC	1
	GX80000058	GASKET,V540,CVR,EPDM LC	1
	GX80000019	GASKET,V540,CVR,VIT LC	1
10	SX10628089	GUARD,SHAFT,DBL FLNGE ADPTRS LC	2
11	GX48104020	CAPSCRW,HX,1/4-28X3/8,18-8SS HX HD	4
12	SX15000002	KEY,56-280TSC LC	1
13	GS2600128-SC	KIT,735,DBL SEAL,C/N/CE/V LD	1
	GS2600130	KIT,735,DBL SEAL,C/C/C/V LD	1
	GS2600128	KIT,735,DBL SEAL,CO/N/CE/V LD	1
17	SC1710H-SS	CAPSCRW,HX,1/2-13X1,18-8SS HX HD	4
20	SX03000020	NUT,WING LC SERIES	5
21	SX18000035	COLLAR,250TC/280TSC,SHAFT LC	1
22	SX48000022	RING,RETAINING,735,280TC 735 SEAL	1
23	GX48104020	CAPSCRW,HX,1/4-28X3/8,18-8SS HX HD	4
25	GX10610400	CAPSCRW,HX,M12-1.75X30MM,18-8S HX HD	4
26	GX10610405	WASHER,LCK,1/2,18-8SS L SERIES	4



Exploded View - Seal Only

Optional Items Shown in ITALICS

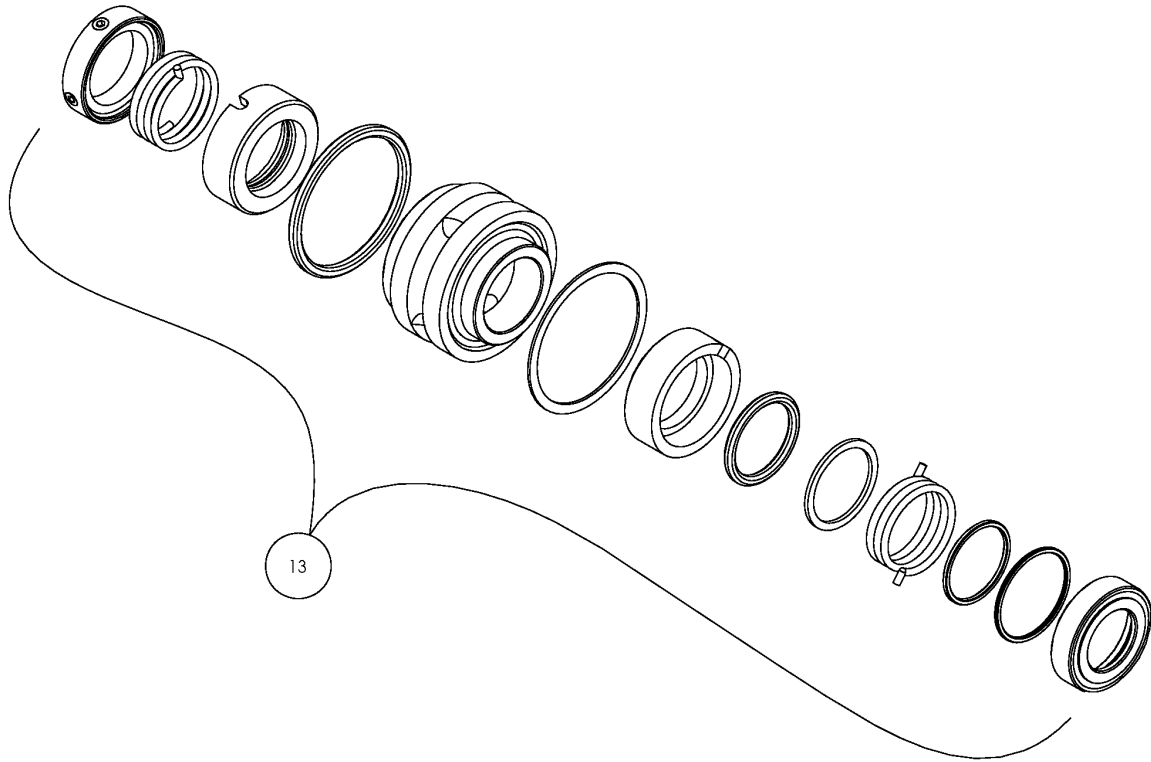
Ref #	Component Item No.	Description	Qty Per
13	GS2600128-SC	KIT,735,DBL SEAL,C/N/CE/V LD	1
	<i>GS2600130</i>	<i>KIT,735,DBL SEAL,C/C/C/V LD</i>	<i>1</i>
	<i>GS2600128</i>	<i>KIT,735,DBL SEAL,CO/N/CE/V LD</i>	<i>1</i>



Exploded View

Optional Items Shown in ITALICS

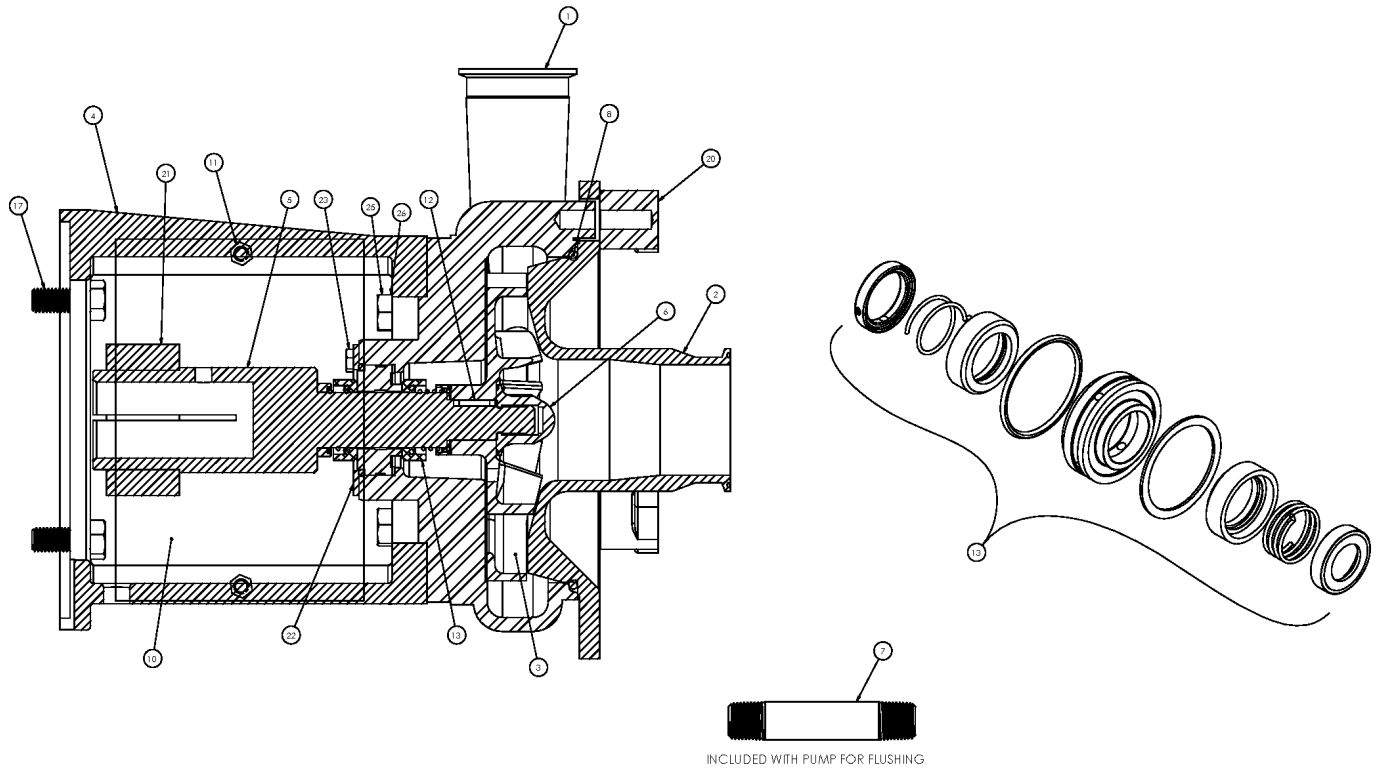
Ref #	Component Item No.	Description	Qty Per
1	SV48610003	CASING,320TSC,2-1/2 CLMP LC V540	1
2	SC48620098	COVER,V540,3 CLAMP L SERIES	1
	SC48620245	COVER,V540,4 CLAMP L SERIES	1
3	SI48630223	IMPELLER,V540,205/30,205MAX, EXT'D HUB LC/LD	1
4	SX10600100	ADAPTER,320TC/TSC FRAME LC/LD/LF	1
5	SX21000104	STUBSHAFT,320TSC/360TSC,1-7/8 W/KEY LD	1
6	SI54000005	NUT,735/736,IMP,EXT HUB LC	1
7	SX10000007	NIPPLE,H20 FLUSH,1/8X2,304SS LD	2
8	GX80000336	GASKET,V540,CVR,BUNA LC	1
	GX80000058	GASKET,V540,CVR,EPDM LC	1
	GX80000019	GASKET,V540,CVR,VIT LC	1
10	SX10628089	GUARD,SHAFT,DBL FLNGE ADPTRS LC	2
11	GX48104020	CAPSCRW,HX,1/4-28X3/8,18-8SS HX HD	4
12	SX15000023	KEY, LC, 320TSC	1
13	GS2600131-SC	KIT,736,DBL SEAL,C/N/CE/V LD	1
	GS2600139	KIT,736,DBL SEAL,C/C/C/V LD	1
	GS2600131	KIT,736,DBL SEAL,FR/N/CE/V LD	1
17	GX5076700	CAPSCRW,HX,5/8-11X1-1/2,18-8SS HX HD	4
20	SX03000020	NUT,WING LC SERIES	5
21	SX18000027	COLLAR,280TC/320TSC,SHAFT LC	1
22	SX48000023	RING,RETAINING,736 SEAL	1
23	GX48104020	CAPSCRW,HX,1/4-28X3/8,18-8SS HX HD	4
25	GX10610400	CAPSCRW,HX,M12-1.75X30MM,18-8S HX HD	4
26	GX10610405	WASHER,LCK,1/2,18-8SS L SERIES	4



Exploded View - Seal Only

Optional Items Shown in ITALICS

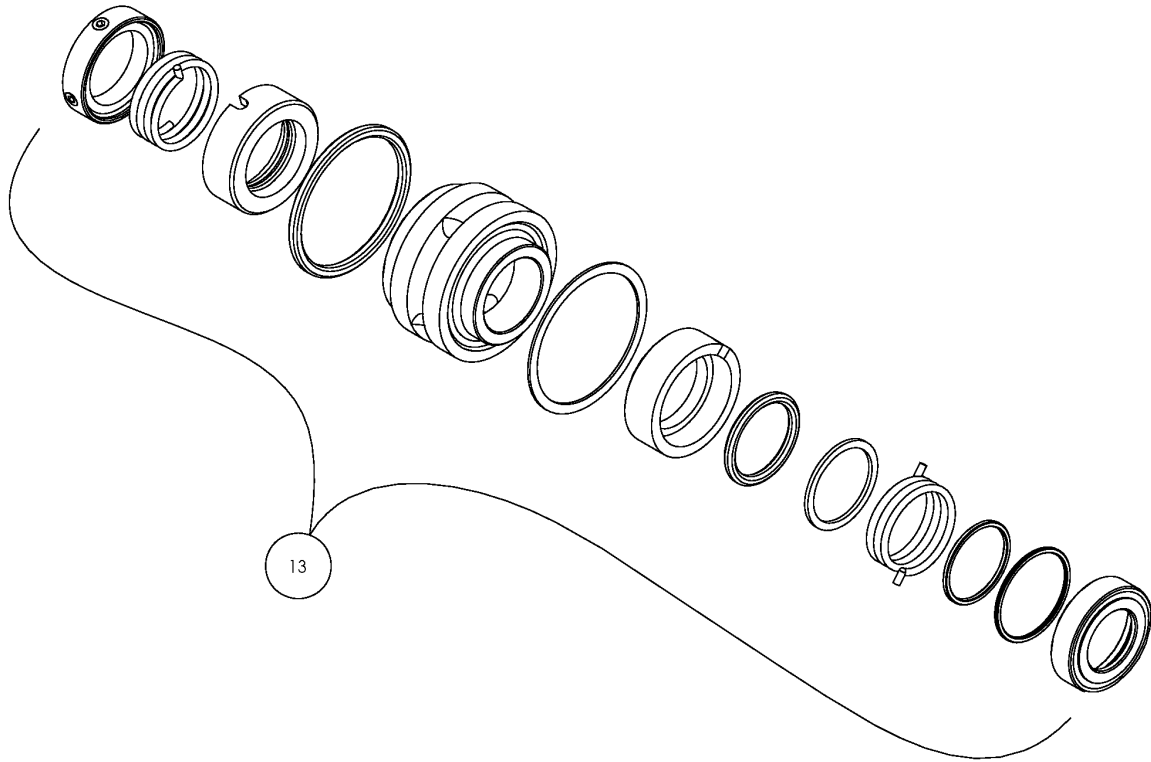
Ref #	Component Item No.	Description	Qty Per
13	GS2600131-SC	KIT,736,DBL SEAL,C/N/CE/V LD	1
	<i>GS2600139</i>	<i>KIT,736,DBL SEAL,C/C/C/V LD</i>	<i>1</i>
	<i>GS2600131</i>	<i>KIT,736,DBL SEAL,FR/N/CE/V LD</i>	<i>1</i>



Exploded View

Optional Items Shown in ITALICS

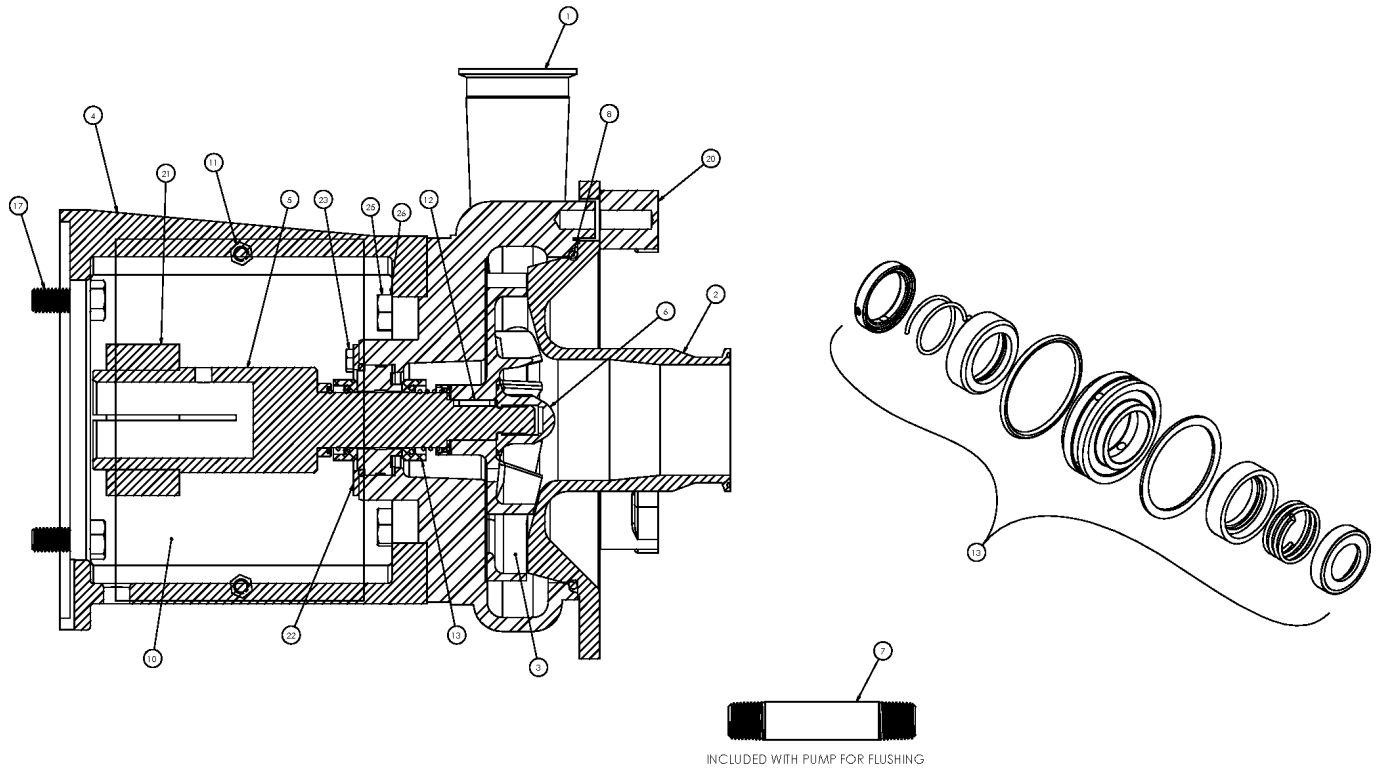
Ref #	Component Item No.	Description	Qty Per
1	SV58610001	CASING,280TSC,2-1/2 CLMP LC V550	1
2	SC58620074	COVER,V550,3 CLAMP L SERIES	1
	<i>SC58620286</i>	<i>COVER,V550,REDUCING,4 CLAMP L SERIES</i>	<i>1</i>
3	SI58630238	IMPELLER,V550,250/22,250MAX LC/LD	1
4	SX10600120	ADAPTER,210-250TC FRAME LCX/LD	1
5	SX21000126	STUBSHAFT,210TC,1-3/8 W/KEY LD V551	1
6	SI54000007	NUT,735,IMP,250TC-280TC	1
7	SX10000007	NIPPLE,H20 FLUSH,1/8X2,304SS LD	2
8	GX80000339	GASKET,V450/550,CVR,BUNA LC	1
	<i>GX80000352</i>	<i>GASKET,V450/550,CVR,EPDM LC</i>	<i>1</i>
	<i>GX80000340</i>	<i>GASKET,V450/550,CVR,VIT LC</i>	<i>1</i>
10	SX10628089	GUARD,SHAFT,DBL FLNGE ADPTRS LC	2
11	GX48104020	CAPSCRW,HX,1/4-28X3/8,18-8SS HX HD	1
12	SX15000002	KEY,56-280TSC LC	1
13	GS2600128-SC	KIT,735,DBL SEAL,C/N/CE/V LD	1
	<i>GS2600130</i>	<i>KIT,735,DBL SEAL,C/C/C/V LD</i>	<i>1</i>
	<i>GS2600128</i>	<i>KIT,735,DBL SEAL,CO/N/CE/V LD</i>	<i>1</i>
17	SC1710H-SS	CAPSCRW,HX,1/2-13X1,18-8SS HX HD	4
20	SX03000020	NUT,WING LC SERIES	5
21	SX18000015	COLLAR,210TC,SHAFT LC	1
22	SX48000022	RING,RETAINING,735,280TC 735 SEAL	1
25	GX10610400	CAPSCRW,HX,M12-1.75X30MM,18-8S HX HD	4
26	GX10610405	WASHER,LCK,1/2,18-8SS L SERIES	4



Exploded View - Seal Only

Optional Items Shown in ITALICS

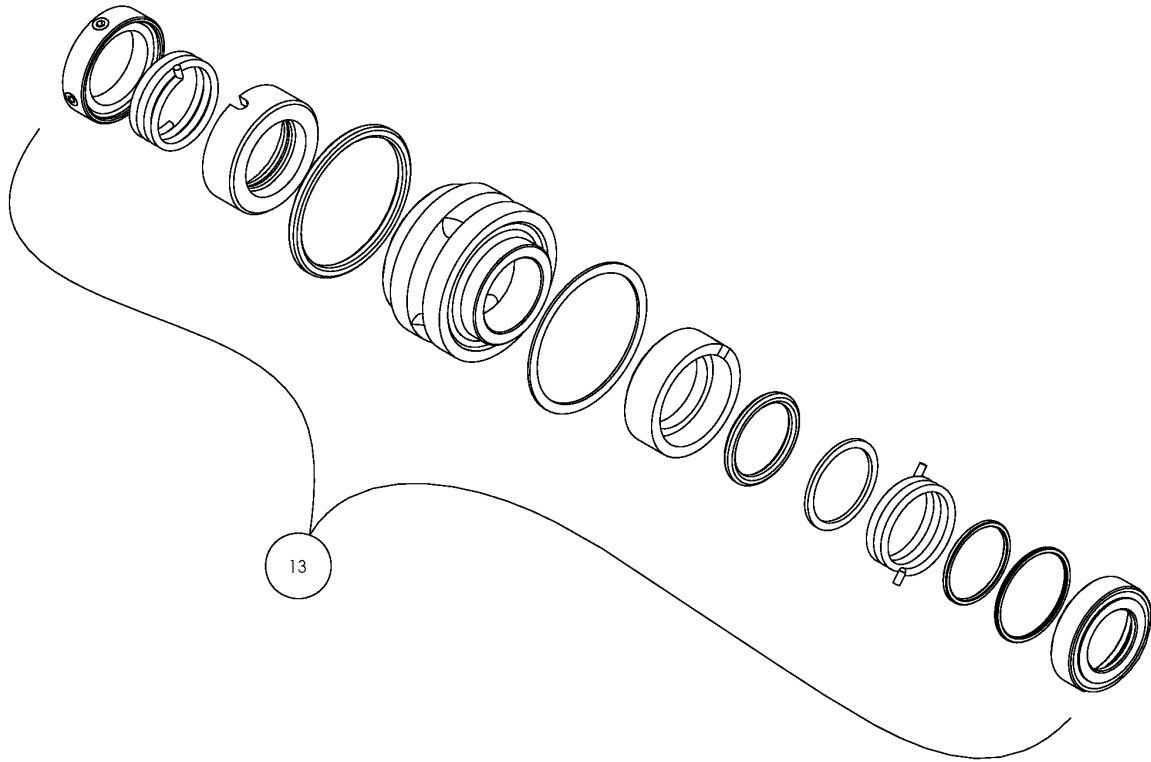
Ref #	Component Item No.	Description	Qty Per
13	GS2600128-SC	KIT,735,DBL SEAL,C/N/CE/V LD	1
	<i>GS2600130</i>	<i>KIT,735,DBL SEAL,C/C/C/V LD</i>	<i>1</i>
	<i>GS2600128</i>	<i>KIT,735,DBL SEAL,CO/N/CE/V LD</i>	<i>1</i>



Exploded View

Optional Items Shown in ITALICS

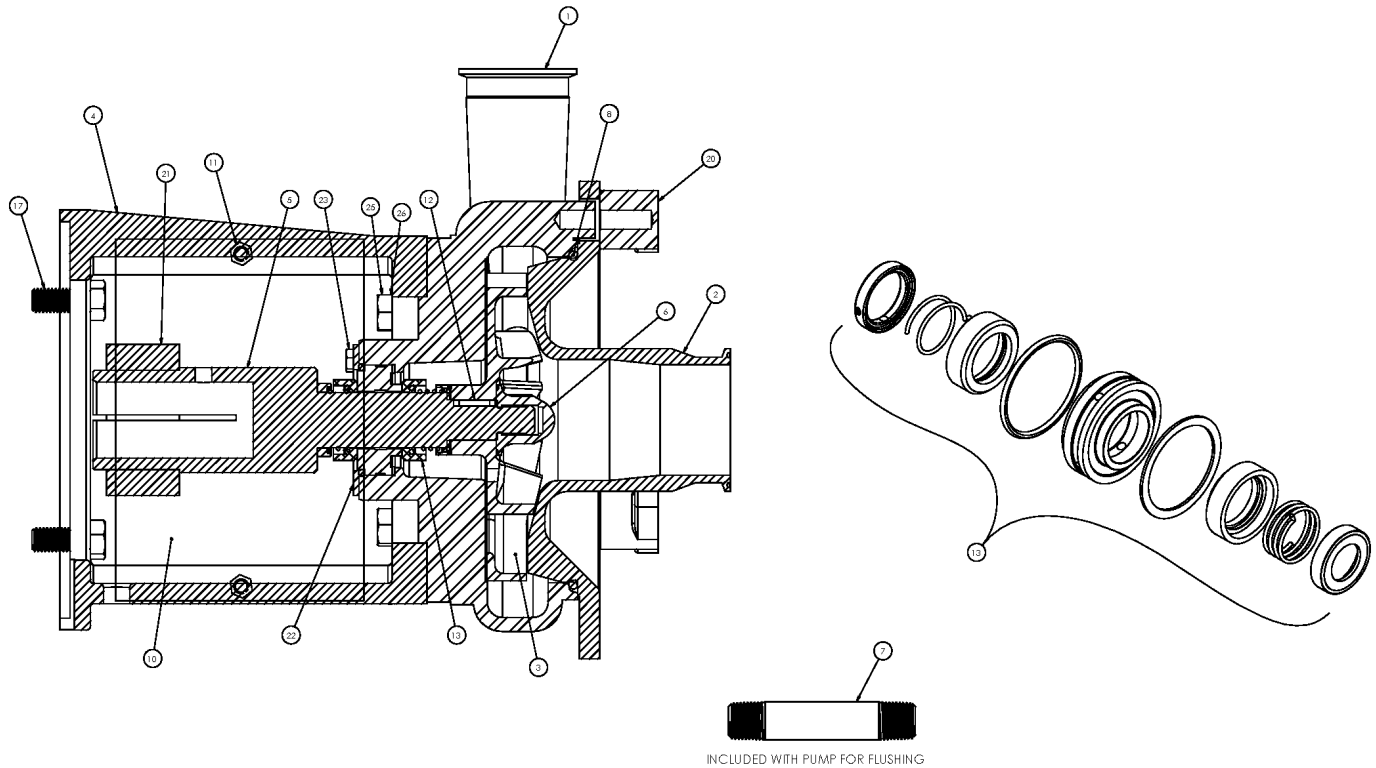
Ref #	Component Item No.	Description	Qty Per
1	SV58610001	CASING,280TSC,2-1/2 CLMP LC V550	1
2	SC58620074	COVER,V550,3 CLAMP L SERIES	1
	SC58620286	COVER,V550,REDUCING,4 CLAMP L SERIES	1
3	SI58630238	IMPELLER,V550,250/22,250MAX LC/LD	1
4	SX10600120	ADAPTER,210-250TC FRAME LCX/LD	1
5	SX21000100	STUBSHAFT,250TC/280TSC,1-5/8 W/KEY LD	1
6	SI54000007	NUT,735,IMP,250TC-280TC	1
7	SX10000007	NIPPLE,H20 FLUSH,1/8X2,304SS LD	2
8	GX80000339	GASKET,V450/550,CVR,BUNA LC	1
	GX80000352	GASKET,V450/550,CVR,EPDM LC	1
	GX80000340	GASKET,V450/550,CVR,VIT LC	1
10	SX10628089	GUARD,SHAFT,DBL FLNGE ADPTRS LC	2
11	GX48104020	CAPSCRW,HX,1/4-28X3/8,18-8SS HX HD	4
12	SX15000002	KEY,56-280TSC LC	1
13	GS2600128-SC	KIT,735,DBL SEAL,C/N/CE/V LD	1
	GS2600130	KIT,735,DBL SEAL,C/C/C/V LD	1
	GS2600128	KIT,735,DBL SEAL,CO/N/CE/V LD	1
17	SC1710H-SS	CAPSCRW,HX,1/2-13X1,18-8SS HX HD	4
20	SX03000020	NUT,WING LC SERIES	5
21	SX18000035	COLLAR,250TC/280TSC,SHAFT LC	1
22	SX48000022	RING,RETAINING,735,280TC 735 SEAL	1
23	GX48104020	CAPSCRW,HX,1/4-28X3/8,18-8SS HX HD	4
25	GX10610400	CAPSCRW,HX,M12-1.75X30MM,18-8S HX HD	4
26	GX10610405	WASHER,LCK,1/2,18-8SS L SERIES	4



Exploded View - Seal Only

Optional Items Shown in ITALICS

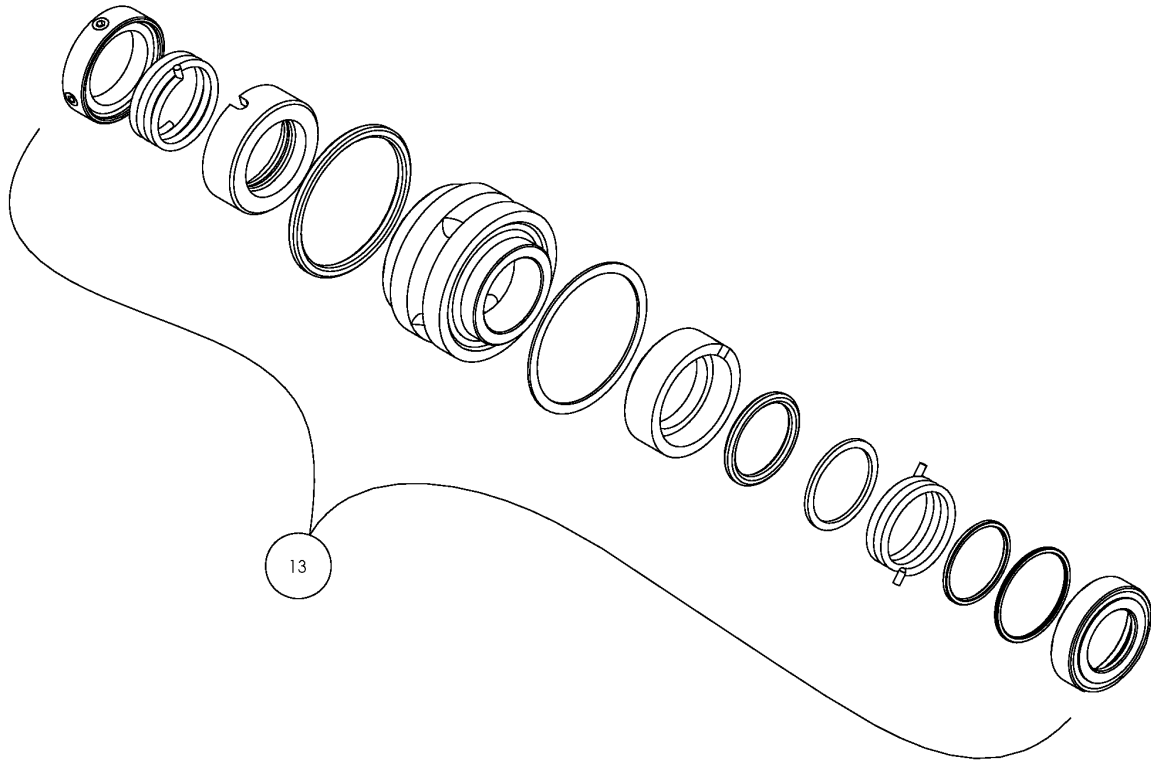
Ref #	Component Item No.	Description	Qty Per
13	GS2600128-SC	KIT,735,DBL SEAL,C/N/CE/V LD	1
	<i>GS2600130</i>	<i>KIT,735,DBL SEAL,C/C/C/V LD</i>	<i>1</i>
	<i>GS2600128</i>	<i>KIT,735,DBL SEAL,CO/N/CE/V LD</i>	<i>1</i>



Exploded View

Optional Items Shown in ITALICS

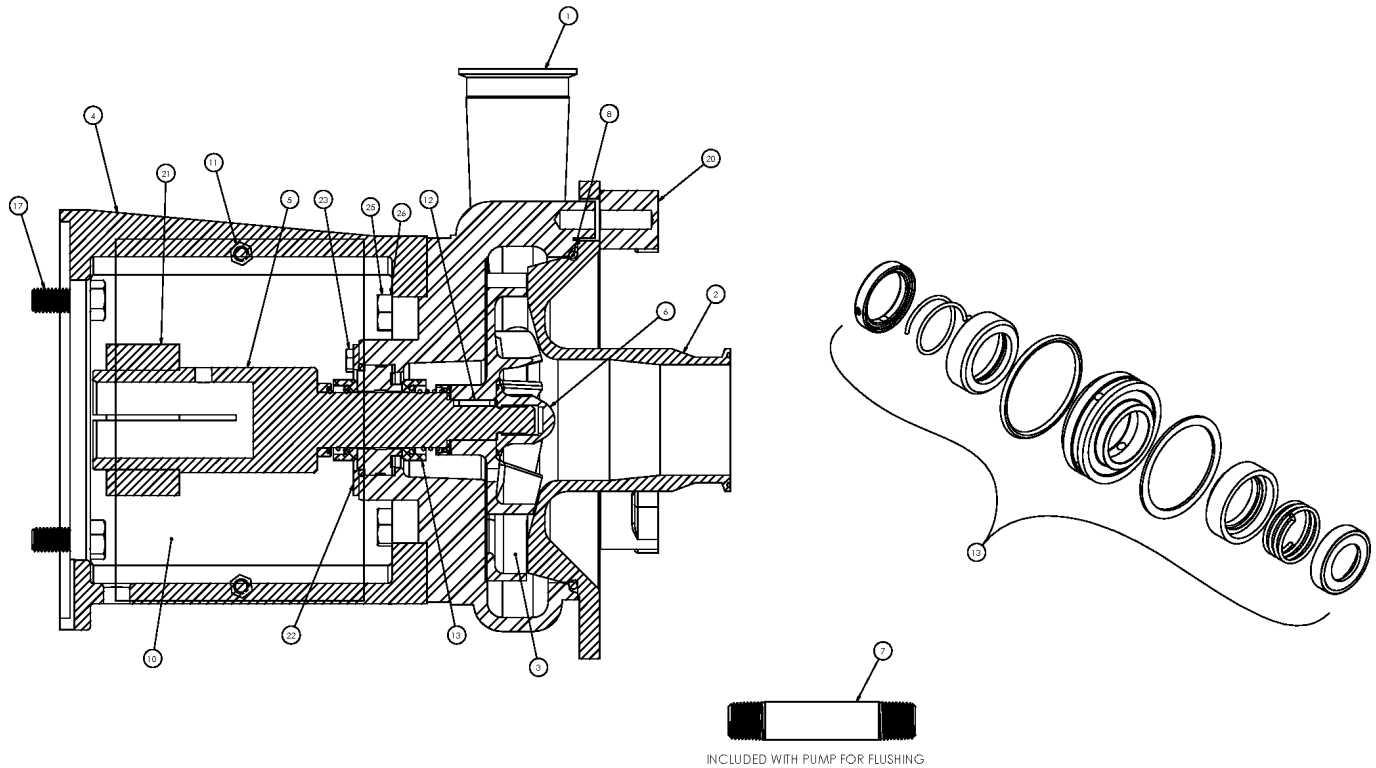
Ref #	Component Item No.	Description	Qty Per
1	SV58610001	CASING,280TSC,2-1/2 CLMP LC V550	1
2	SC58620074	COVER,V550,3 CLAMP L SERIES	1
	SC58620286	COVER,V550,REDUCING,4 CLAMP L SERIES	1
3	SI58630288	IMPELLER,V550,250/22,250MAX, EXT'D HUB LC/LD	1
4	SX10600089	ADAPTER,280TC/TSC FRAME LC/LD	1
5	SX21000103	STUBSHAFT,280TSC,EXT 1-5/8 W/KEY LD	1
6	SI54000005	NUT,735/736,IMP,EXT HUB LC	1
7	SX10000007	NIPPLE,H20 FLUSH,1/8X2,304SS LD	2
8	GX80000339	GASKET,V450/550,CVR,BUNA LC	1
	GX80000352	GASKET,V450/550,CVR,EPDM LC	1
	GX80000340	GASKET,V450/550,CVR,VIT LC	1
10	SX10628089	GUARD,SHAFT,DBL FLNGE ADPTRS LC	2
11	GX48104020	CAPSCRW,HX,1/4-28X3/8,18-8SS HX HD	4
12	SX15000019	KEY,280TSC,EXT'D HUB LC	1
13	GS2600128-SC	KIT,735,DBL SEAL,C/N/CE/V LD	1
	GS2600130	KIT,735,DBL SEAL,C/C/C/V LD	1
	GS2600128	KIT,735,DBL SEAL,CO/N/CE/V LD	1
17	SC1710H-SS	CAPSCRW,HX,1/2-13X1,18-8SS HX HD	4
20	SX03000020	NUT,WING LC SERIES	5
21	SX18000035	COLLAR,250TC/280TSC,SHAFT LC	1
22	SX48000022	RING,RETAINING,735,280TC 735 SEAL	1
23	GX48104020	CAPSCRW,HX,1/4-28X3/8,18-8SS HX HD	4
25	GX10610400	CAPSCRW,HX,M12-1.75X30MM,18-8S HX HD	4
26	GX10610405	WASHER,LCK,1/2,18-8SS L SERIES	4



Exploded View - Seal Only

Optional Items Shown in ITALICS

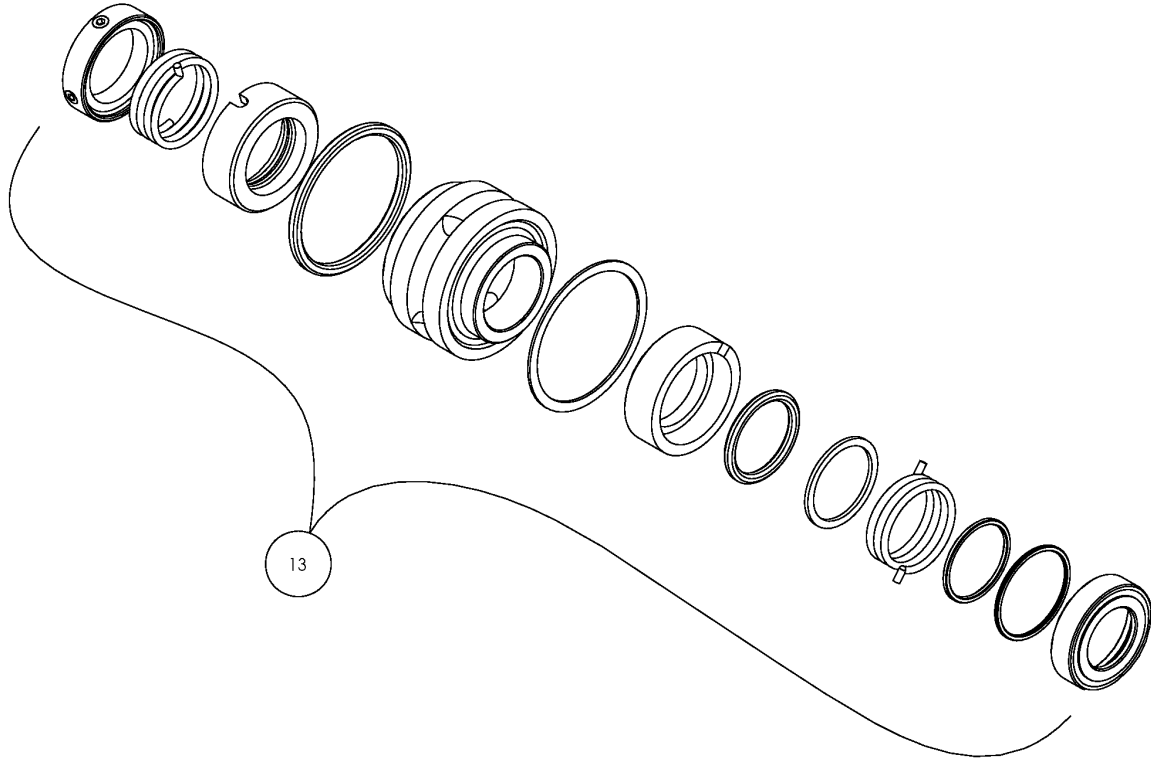
Ref #	Component Item No.	Description	Qty Per
13	GS2600128-SC	KIT,735,DBL SEAL,C/N/CE/V LD	1
	<i>GS2600130</i>	<i>KIT,735,DBL SEAL,C/C/C/V LD</i>	<i>1</i>
	<i>GS2600128</i>	<i>KIT,735,DBL SEAL,CO/N/CE/V LD</i>	<i>1</i>



Exploded View

Optional Items Shown in ITALICS

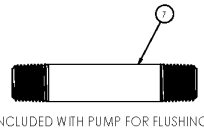
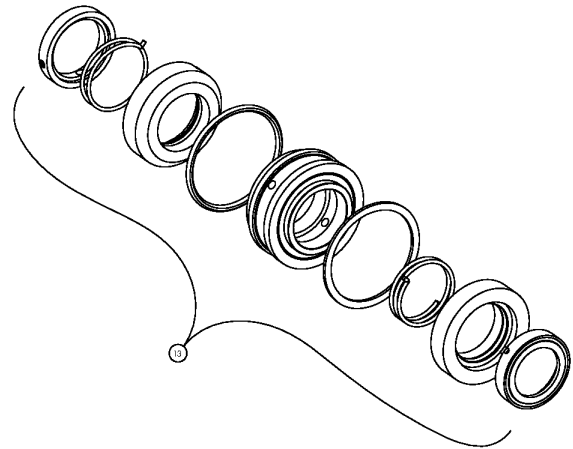
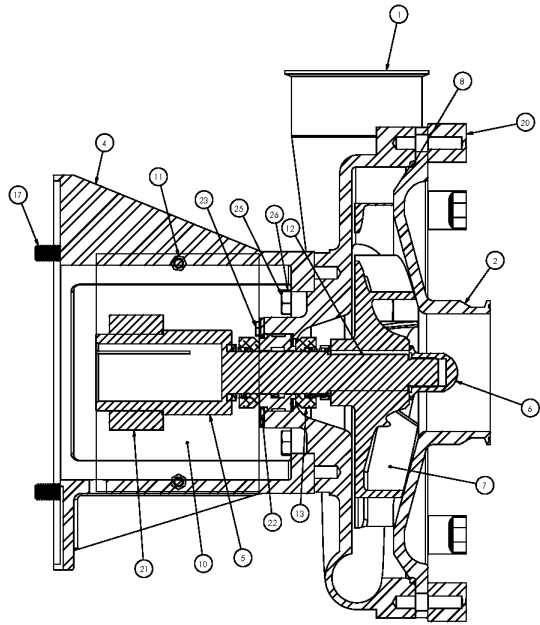
Ref #	Component Item No.	Description	Qty Per
1	SV58610003	CASING,320TSC,2-1/2 CLMP LC V550	1
2	SC58620074	COVER,V550,3 CLAMP L SERIES	1
	<i>SC58620286</i>	<i>COVER,V550,REDUCING,4 CLAMP L SERIES</i>	<i>1</i>
3	SI58630243	IMPELLER,V550,250/30,250MAX, EXT'D HUB LC/LD	1
4	SX10600100	ADAPTER,320TC/TSC FRAME LC/LD/LF	1
5	SX21000104	STUBSHAFT,320TSC/360TSC,1-7/8 W/KEY LD	1
6	SI54000005	NUT,735/736,IMP,EXT HUB LC	1
7	SX10000007	NIPPLE,H20 FLUSH,1/8X2,304SS LD	2
8	GX80000339	GASKET,V450/550,CVR,BUNA LC	1
	<i>GX80000352</i>	<i>GASKET,V450/550,CVR,EPDM LC</i>	<i>1</i>
	<i>GX80000340</i>	<i>GASKET,V450/550,CVR,VIT LC</i>	<i>1</i>
10	SX10628089	GUARD,SHAFT,DBL FLNGE ADPTRS LC	2
11	GX48104020	CAPSCRW,HX,1/4-28X3/8,18-8SS HX HD	4
12	SX15000023	KEY, LC, 320TSC	1
13	GS2600131-SC	KIT,736,DBL SEAL,C/N/CE/V LD	1
	<i>GS2600139</i>	<i>KIT,736,DBL SEAL,C/C/C/V LD</i>	<i>1</i>
	<i>GS2600131</i>	<i>KIT,736,DBL SEAL,FR/N/CE/V LD</i>	<i>1</i>
17	GX5076700	CAPSCRW,HX,5/8-11X1-1/2,18-8SS HX HD	4
20	SX03000020	NUT,WING LC SERIES	5
21	SX18000027	COLLAR,280TC/320TSC,SHAFT LC	1
22	SX48000023	RING,RETAINING,736 SEAL	1
23	GX48104020	CAPSCRW,HX,1/4-28X3/8,18-8SS HX HD	4
25	GX10610400	CAPSCRW,HX,M12-1.75X30MM,18-8S HX HD	4
26	GX10610405	WASHER,LCK,1/2,18-8SS L SERIES	4



Exploded View - Seal Only

Optional Items Shown in ITALICS

Ref #	Component Item No.	Description	Qty Per
13	GS2600131-SC	KIT,736,DBL SEAL,C/N/CE/V LD	1
	<i>GS2600139</i>	<i>KIT,736,DBL SEAL,C/C/C/V LD</i>	<i>1</i>
	<i>GS2600131</i>	<i>KIT,736,DBL SEAL,FR/N/CE/V LD</i>	<i>1</i>

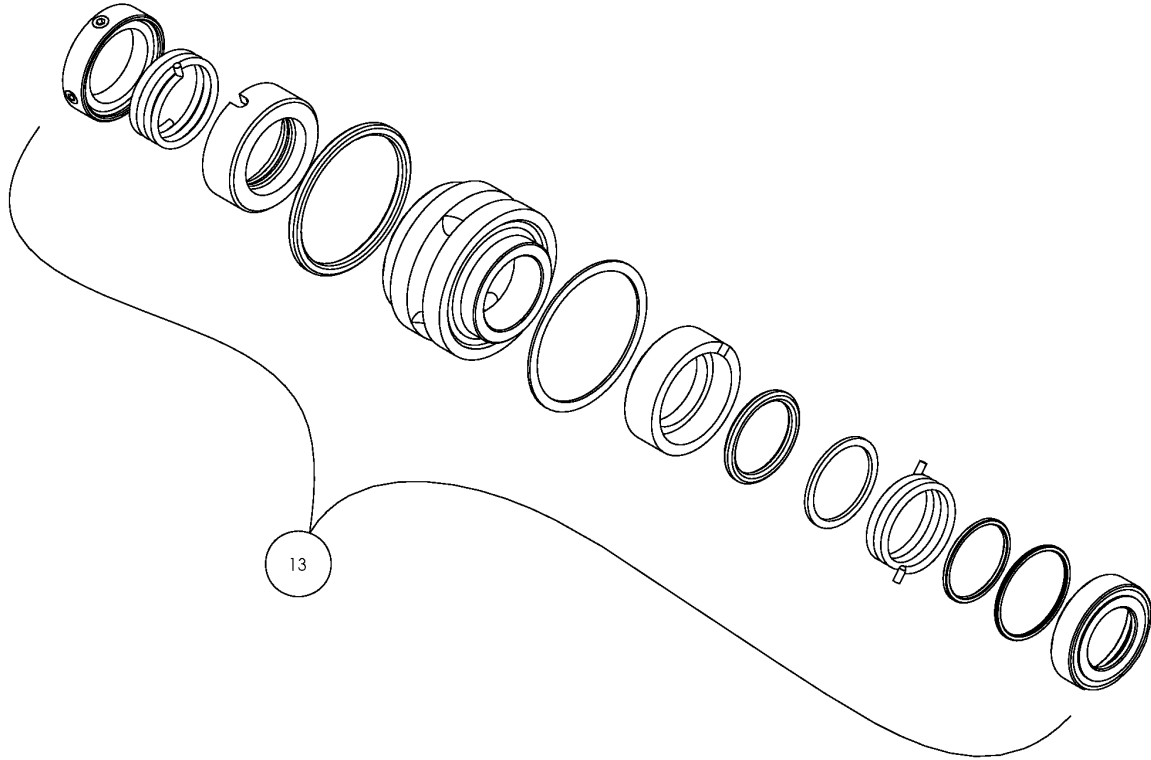


INCLUDED WITH PUMP FOR FLUSHING

Exploded View

Optional Items Shown in ITALICS

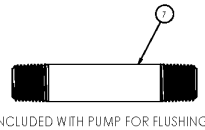
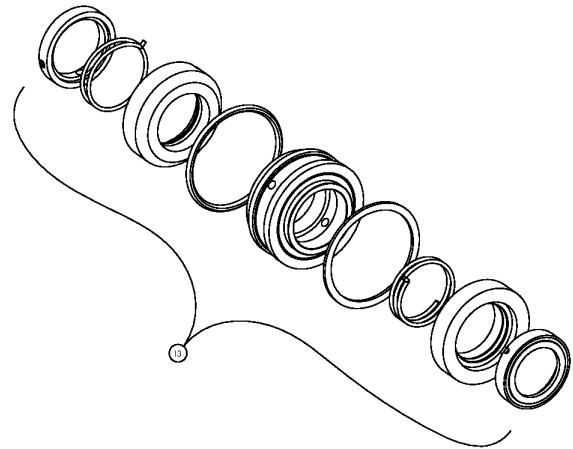
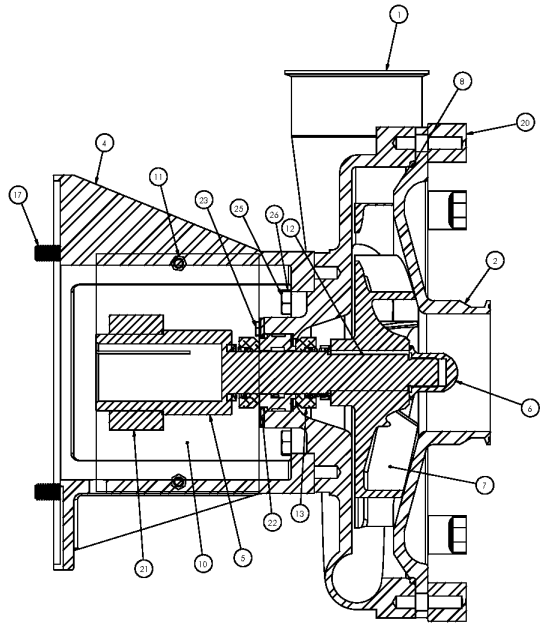
Ref #	Component Item No.	Description	Qty Per
1	SV73610000	CASING,X51/151/161,4 CLAMP LC LD	1
2	SC71620106	COVER,X051,4 CLAMP L SERIES	1
3	SI71630062	IMPELLER,X051,280/30,280MAX, EXT'D HUB LC/LD/LF	1
4	SX10600120	ADAPTER,210-250TC FRAME LCX/LD	1
5	SX21000105	STUBSHAFT,210TC,1-3/8 W/KEY	1
6	SI54000001	NUT,736,IMP LCX	1
8	GX80000021	GASKET,X050/150/160,CVR,N-70 LC BUNA	1
	<i>GX80000152</i>	<i>GASKET,X050/150/160,CVR,EPDM LC</i>	<i>1</i>
	<i>GX80000026</i>	<i>GASKET,X050/150/160,CVR,VIT LC</i>	<i>1</i>
10	SX10628089	GUARD,SHAFT,DBL FLNGE ADPTRS LC	2
11	GX48104020	CAPSCRW,HX,1/4-28X3/8,18-8SS HX HD	4
12	SX15000020	KEY,250TC-320TC LCX	1
13	GS2600131-SC	KIT,736,DBL SEAL,C/N/CE/V LD	1
	<i>GS2600139</i>	<i>KIT,736,DBL SEAL,C/C/C/V LD</i>	<i>1</i>
	<i>GS2600131</i>	<i>KIT,736,DBL SEAL,FR/N/CE/V LD</i>	<i>1</i>
17	SC1710H-SS	CAPSCRW,HX,1/2-13X1,18-8SS HX HD	4
20	SX03000020	NUT,WING LC SERIES	8
21	SX18000015	COLLAR,210TC,SHAFT LC	1
22	SX48000023	RING,RETAINING,736 SEAL	1
23	GX48104020	CAPSCRW,HX,1/4-28X3/8,18-8SS HX HD	4
25	GX10610400	CAPSCRW,HX,M12-1.75X30MM,18-8S HX HD	4
26	GX10610405	WASHER,LCK,1/2,18-8SS L SERIES	4



Exploded View - Seal Only

Optional Items Shown in ITALICS

Ref #	Component Item No.	Description	Qty Per
13	GS2600139	<i>KIT, 736, DBL SEAL, C/C/C/V LD</i>	1
	GS2600131	<i>KIT, 736, DBL SEAL, FR/N/CE/V LD</i>	1

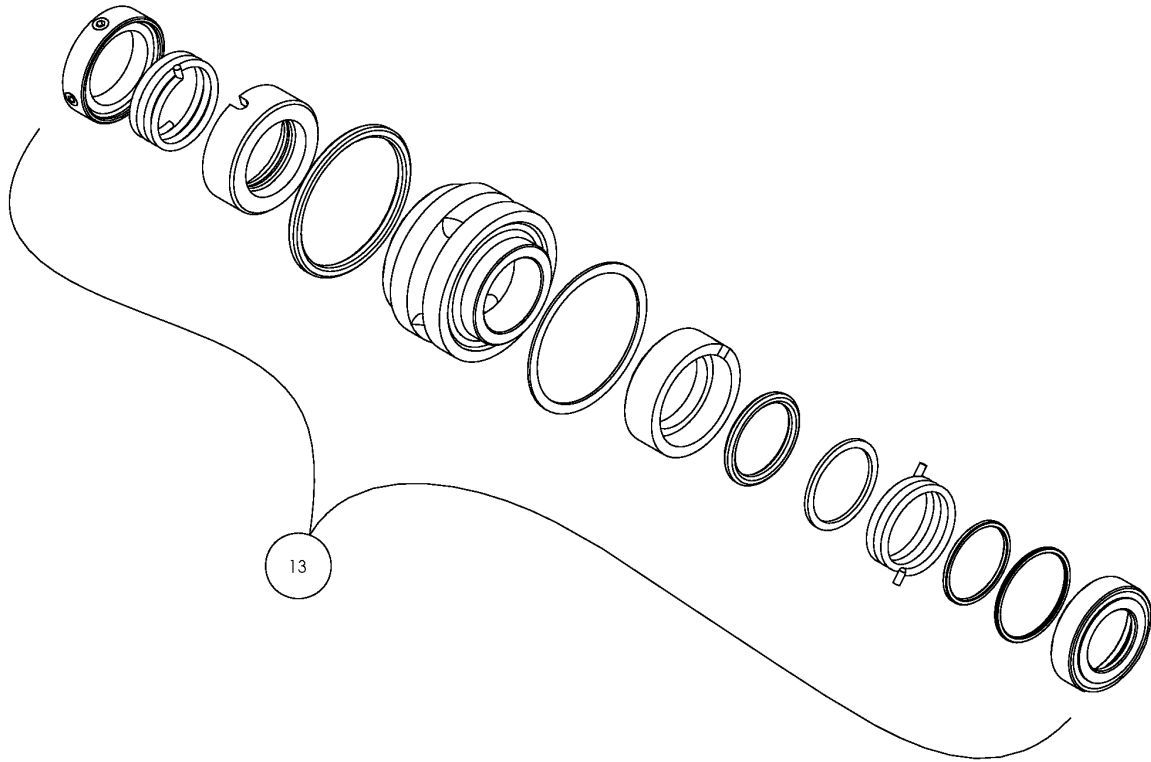


INCLUDED WITH PUMP FOR FLUSHING

Exploded View

Optional Items Shown in ITALICS

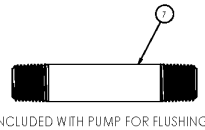
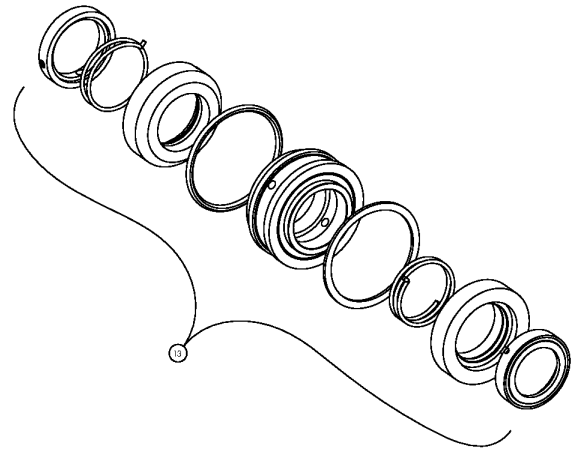
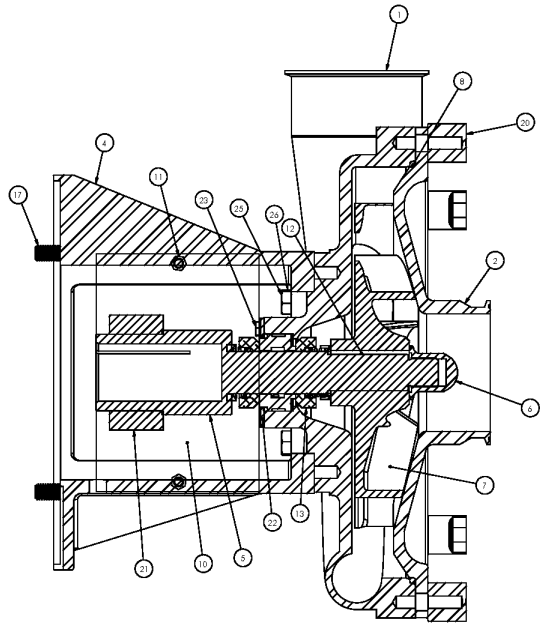
Ref #	Component Item No.	Description	Qty Per
1	SV73610000	CASING,X51/151/161,4 CLAMP LC LD	1
2	SC71620106	COVER,X051,4 CLAMP L SERIES	1
3	SI71630062	IMPELLER,X051,280/30,280MAX, EXT'D HUB LC/LD/LF	1
4	SX10600120	ADAPTER,210-250TC FRAME LCX/LD	1
5	SX21000106	STUBSHAFT,250TC,1-5/8 W/KEY LDX	1
6	SI54000001	NUT,736,IMP LCX	1
8	GX80000021	GASKET,X050/150/160,CVR,N-70 LC BUNA	1
	<i>GX80000152</i>	<i>GASKET,X050/150/160,CVR,EPDM LC</i>	<i>1</i>
	<i>GX80000026</i>	<i>GASKET,X050/150/160,CVR,VIT LC</i>	<i>1</i>
10	SX10628089	GUARD,SHAFT,DBL FLNGE ADPTRS LC	2
11	GX48104020	CAPSCRW,HX,1/4-28X3/8,18-8SS HX HD	4
12	SX15000020	KEY,250TC-320TC LCX	1
13	GS2600131-SC	KIT,736,DBL SEAL,C/N/CE/V LD	1
	<i>GS2600139</i>	<i>KIT,736,DBL SEAL,C/C/C/V LD</i>	<i>1</i>
	<i>GS2600131</i>	<i>KIT,736,DBL SEAL,FR/N/CE/V LD</i>	<i>1</i>
17	SC1710H-SS	CAPSCRW,HX,1/2-13X1,18-8SS HX HD	4
20	SX03000020	NUT,WING LC SERIES	8
21	SX18000035	COLLAR,250TC/280TSC,SHAFT LC	1
22	SX48000023	RING,RETAINING,736 SEAL	1
23	GX48104020	CAPSCRW,HX,1/4-28X3/8,18-8SS HX HD	4
25	GX10610400	CAPSCRW,HX,M12-1.75X30MM,18-8S HX HD	4
26	GX10610405	WASHER,LCK,1/2,18-8SS L SERIES	4



Exploded View - Seal Only

Optional Items Shown in ITALICS

Ref #	Component Item No.	Description	Qty Per
13	GS2600131-SC	KIT,736,DBL SEAL,C/N/CE/V LD	1
	<i>GS2600139</i>	<i>KIT,736,DBL SEAL,C/C/C/V LD</i>	<i>1</i>
	<i>GS2600131</i>	<i>KIT,736,DBL SEAL,FR/N/CE/V LD</i>	<i>1</i>

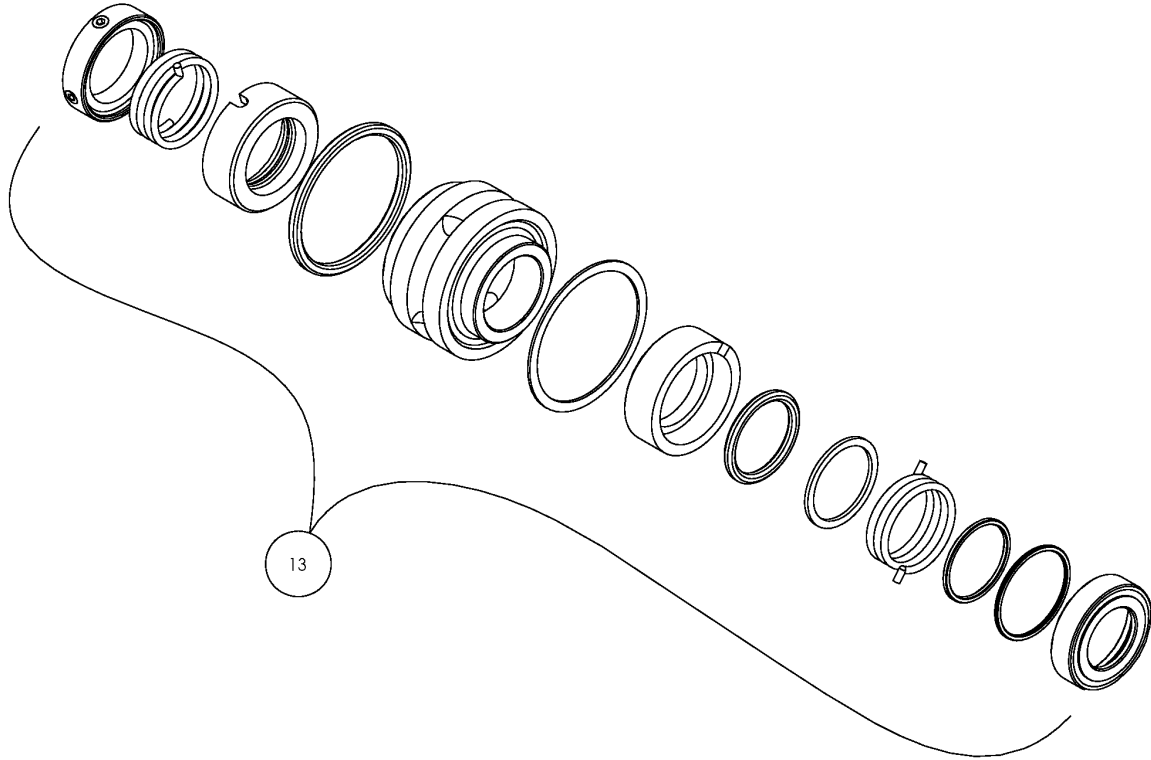


INCLUDED WITH PUMP FOR FLUSHING

Exploded View

Optional Items Shown in ITALICS

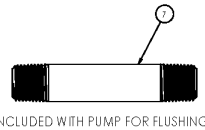
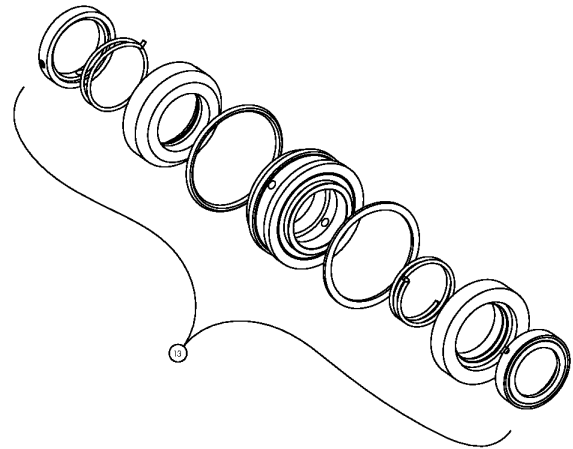
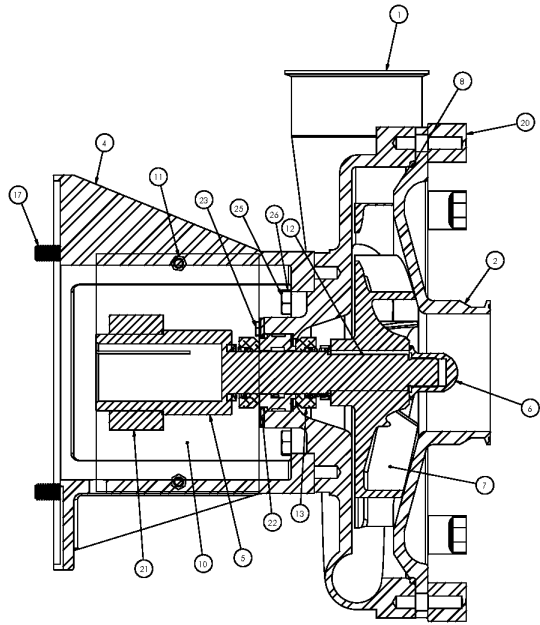
Ref #	Component Item No.	Description	Qty Per
1	SV73610000	CASING,X51/151/161,4 CLAMP LC LD	1
2	SC71620106	COVER,X051,4 CLAMP L SERIES	1
3	SI71630062	IMPELLER,X051,280/30,280MAX, EXT'D HUB LC/LD/LF	1
4	SX10600089	ADAPTER,280TC/TSC FRAME LC/LD	1
5	SX21000107	STUBSHAFT,280TC,1-7/8 W/KEY LDX	1
6	SI54000001	NUT,736,IMP LCX	1
8	GX80000021	GASKET,X050/150/160,CVR,N-70 LC BUNA	1
	<i>GX80000152</i>	<i>GASKET,X050/150/160,CVR,EPDM LC</i>	<i>1</i>
	<i>GX80000026</i>	<i>GASKET,X050/150/160,CVR,VIT LC</i>	<i>1</i>
10	SX10628089	GUARD,SHAFT,DBL FLNGE ADPTRS LC	2
11	GX48104020	CAPSCRW,HX,1/4-28X3/8,18-8SS HX HD	4
12	SX15000020	KEY,250TC-320TC LCX	1
13	GS2600131-SC	KIT,736,DBL SEAL,C/N/CE/V LD	1
	<i>GS2600139</i>	<i>KIT,736,DBL SEAL,C/C/C/V LD</i>	<i>1</i>
	<i>GS2600131</i>	<i>KIT,736,DBL SEAL,FR/N/CE/V LD</i>	<i>1</i>
17	SC1710H-SS	CAPSCRW,HX,1/2-13X1,18-8SS HX HD	4
20	SX03000020	NUT,WING LC SERIES	8
21	SX18000027	COLLAR,280TC/320TSC,SHAFT LC	1
22	SX48000023	RING,RETAINING,736 SEAL	1
23	GX48104020	CAPSCRW,HX,1/4-28X3/8,18-8SS HX HD	4
24	GX10610400	CAPSCRW,HX,M12-1.75X30MM,18-8S HX HD	4
26	GX10610405	WASHER,LCK,1/2,18-8SS L SERIES	4



Exploded View - Seal Only

Optional Items Shown in ITALICS

Ref #	Component Item No.	Description	Qty Per
13	GS2600139	<i>KIT, 736, DBL SEAL, C/C/C/V LD</i>	1
	GS2600131	<i>KIT, 736, DBL SEAL, FR/N/CE/V LD</i>	1

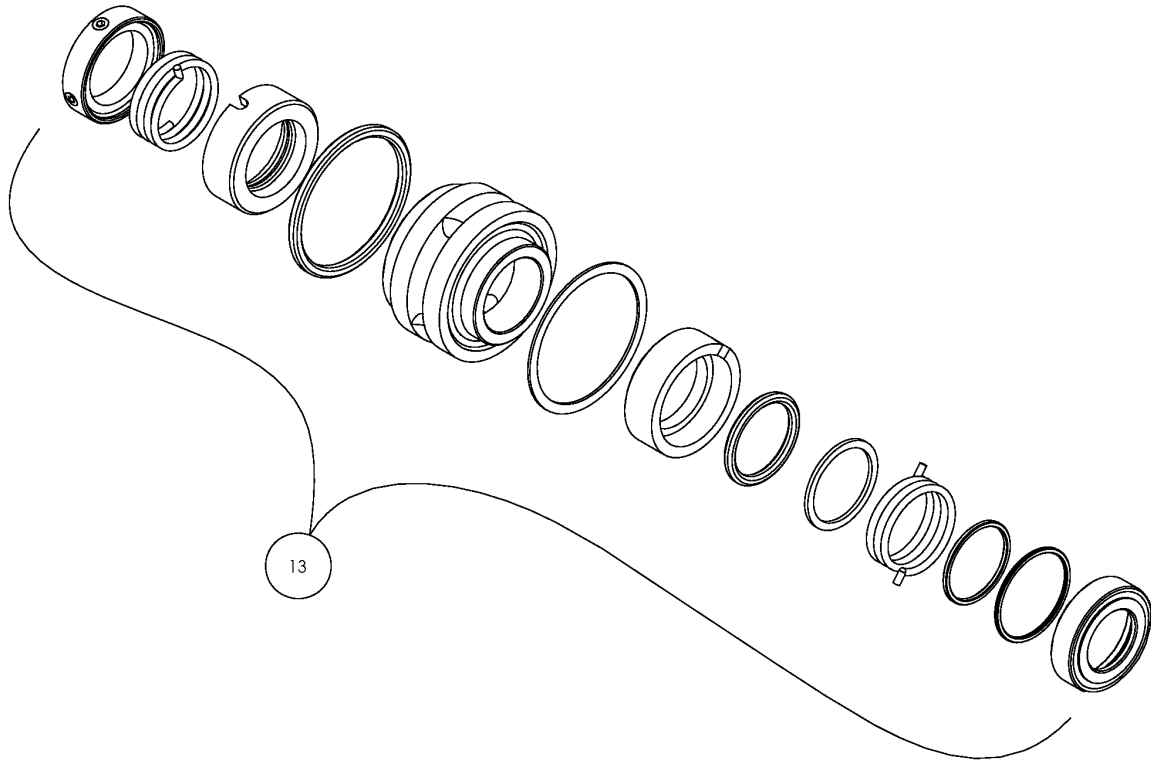


INCLUDED WITH PUMP FOR FLUSHING

Exploded View

Optional Items Shown in ITALICS

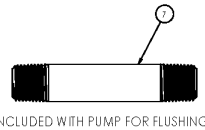
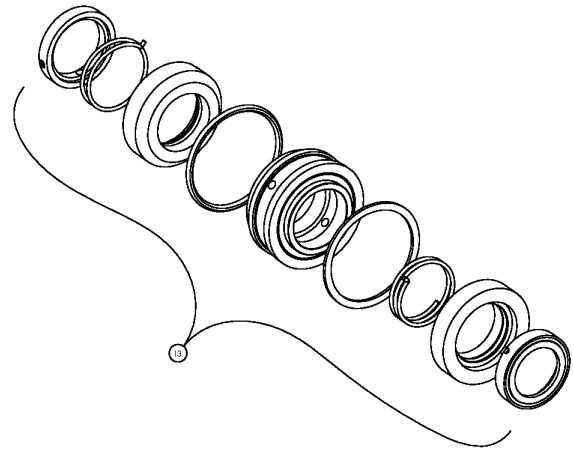
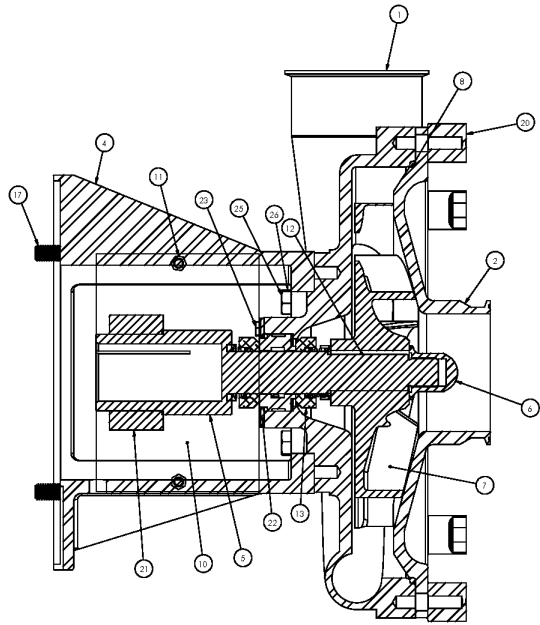
Ref #	Component Item No.	Description	Qty Per
1	SV73610000	CASING,X51/151/161,4 CLAMP LC LD	1
2	SC73620078	COVER,X151,X161,4 CLAMP L SERIES	1
3	SI73630056	IMPELLER,X151,280/30,280MAX EXT'D HUB LC/LD/LF	1
4	SX10600120	ADAPTER,210-250TC FRAME LCX/LD	1
5	SX21000105	STUBSHAFT,210TC,1-3/8 W/KEY	1
6	SI54000001	NUT,736,IMP LCX	1
8	GX80000021	GASKET,X050/150/160,CVR,N-70 LC BUNA	1
	<i>GX80000152</i>	<i>GASKET,X050/150/160,CVR,EPDM LC</i>	<i>1</i>
	<i>GX80000026</i>	<i>GASKET,X050/150/160,CVR,VIT LC</i>	<i>1</i>
10	SX10628089	GUARD,SHAFT,DBL FLNGE ADPTRS LC	2
11	GX48104020	CAPSCRW,HX,1/4-28X3/8,18-8SS HX HD	4
12	SX15000020	KEY,250TC-320TC LCX	1
13	GS2600131-SC	KIT,736,DBL SEAL,C/N/CE/V LD	1
	<i>GS2600139</i>	<i>KIT,736,DBL SEAL,C/C/C/V LD</i>	<i>1</i>
	<i>GS2600131</i>	<i>KIT,736,DBL SEAL,FR/N/CE/V LD</i>	<i>1</i>
17	SC1710H-SS	CAPSCRW,HX,1/2-13X1,18-8SS HX HD	4
20	SX03000020	NUT,WING LC SERIES	8
21	SX18000015	COLLAR,210TC,SHAFT LC	1
22	SX48000023	RING,RETAINING,736 SEAL	1
23	GX48104020	CAPSCRW,HX,1/4-28X3/8,18-8SS HX HD	4
25	GX10610400	CAPSCRW,HX,M12-1.75X30MM,18-8S HX HD	4
26	GX10610405	WASHER,LCK,1/2,18-8SS L SERIES	4



Exploded View - Seal Only

Optional Items Shown in ITALICS

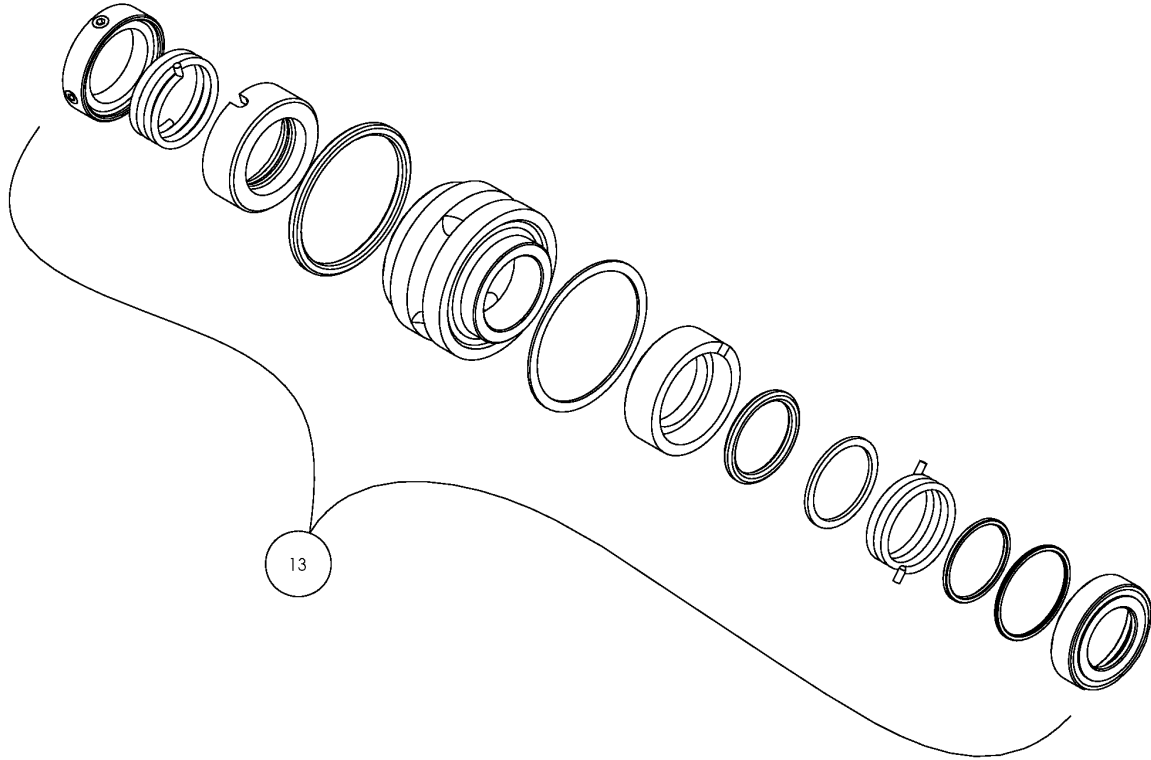
Ref #	Component Item No.	Description	Qty Per
13	GS2600131-SC	KIT,736,DBL SEAL,C/N/CE/V LD	1
	<i>GS2600139</i>	<i>KIT,736,DBL SEAL,C/C/C/V LD</i>	<i>1</i>
	<i>GS2600131</i>	<i>KIT,736,DBL SEAL,FR/N/CE/V LD</i>	<i>1</i>



Exploded View

Optional Items Shown in ITALICS

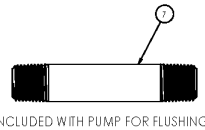
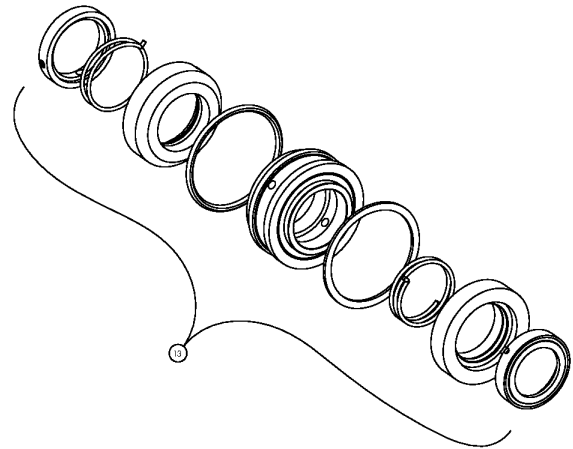
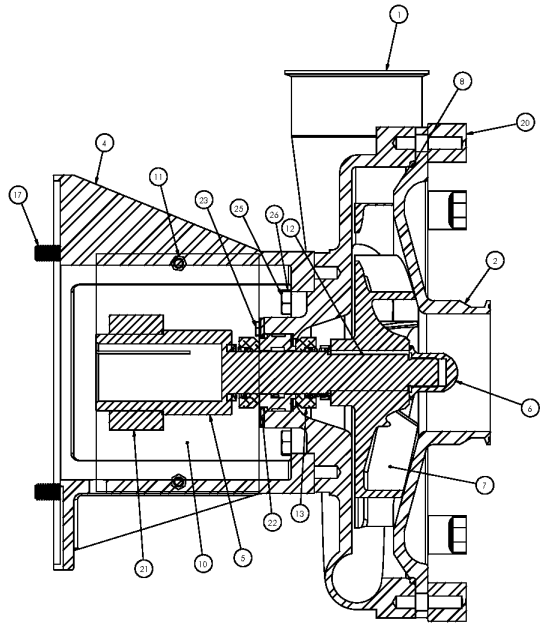
Ref #	Component Item No.	Description	Qty Per
1	SV73610000	CASING,X51/151/161,4 CLAMP LC LD	1
2	SC73620078	COVER,X151,X161,4 CLAMP L SERIES	1
3	SI73630056	IMPELLER,X151,280/30,280MAX EXT'D HUB LC/LD/LF	1
4	SX10600120	ADAPTER,210-250TC FRAME LCX/LD	1
5	SX21000106	STUBSHAFT,250TC,1-5/8 W/KEY LDX	1
6	SI54000001	NUT,736,IMP LCX	1
8	GX80000021	GASKET,X050/150/160,CVR,N-70 LC BUNA	1
	<i>GX80000152</i>	<i>GASKET,X050/150/160,CVR,EPDM LC</i>	1
	<i>GX80000026</i>	<i>GASKET,X050/150/160,CVR,VIT LC</i>	1
10	SX10628089	GUARD,SHAFT,DBL FLNGE ADPTRS LC	2
11	GX48104020	CAPSCRW,HX,1/4-28X3/8,18-8SS HX HD	4
12	SX15000020	KEY,250TC-320TC LCX	1
13	GS2600131-SC	KIT,736,DBL SEAL,C/N/CE/V LD	1
	<i>GS2600139</i>	<i>KIT,736,DBL SEAL,C/C/C/V LD</i>	1
	<i>GS2600131</i>	<i>KIT,736,DBL SEAL,FR/N/CE/V LD</i>	1
17	SC1710H-SS	CAPSCRW,HX,1/2-13X1,18-8SS HX HD	4
20	SX03000020	NUT,WING LC SERIES	8
21	SX18000035	COLLAR,250TC/280TSC,SHAFT LC	1
22	SX48000023	RING,RETAINING,736 SEAL	1
23	GX48104020	CAPSCRW,HX,1/4-28X3/8,18-8SS HX HD	4
25	GX10610400	CAPSCRW,HX,M12-1.75X30MM,18-8S HX HD	4
26	GX10610405	WASHER,LCK,1/2,18-8SS L SERIES	4



Exploded View - Seal Only

Optional Items Shown in ITALICS

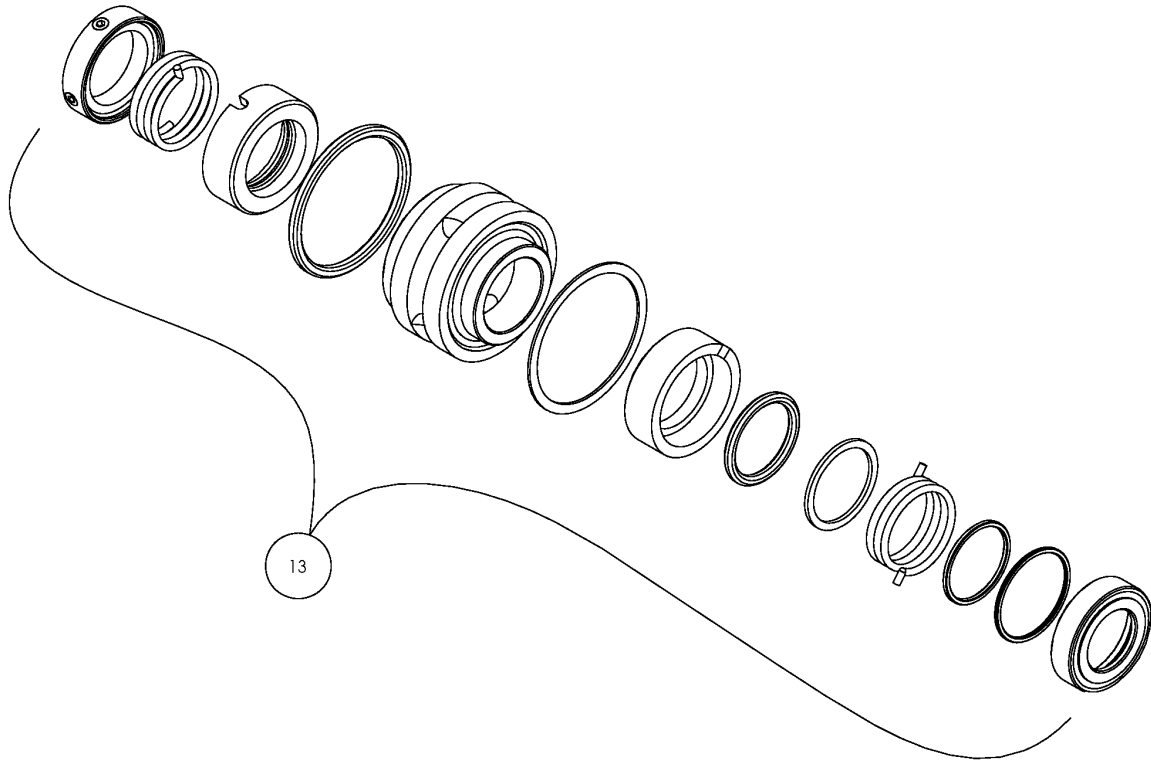
Ref #	Component Item No.	Description	Qty Per
13	GS2600139	<i>KIT, 736, DBL SEAL, C/C/C/V LD</i>	1
	GS2600131	<i>KIT, 736, DBL SEAL, FR/N/CE/V LD</i>	1



Exploded View

Optional Items Shown in ITALICS

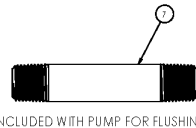
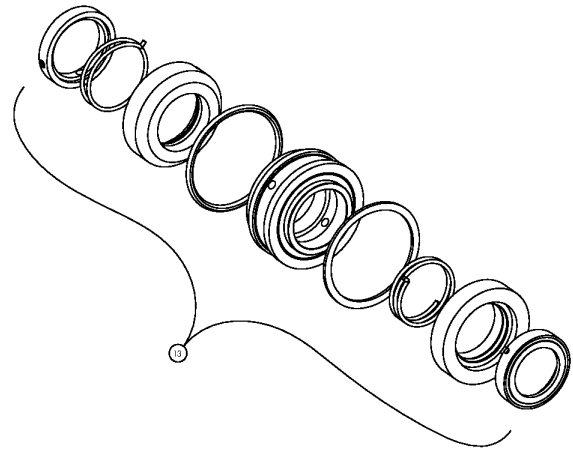
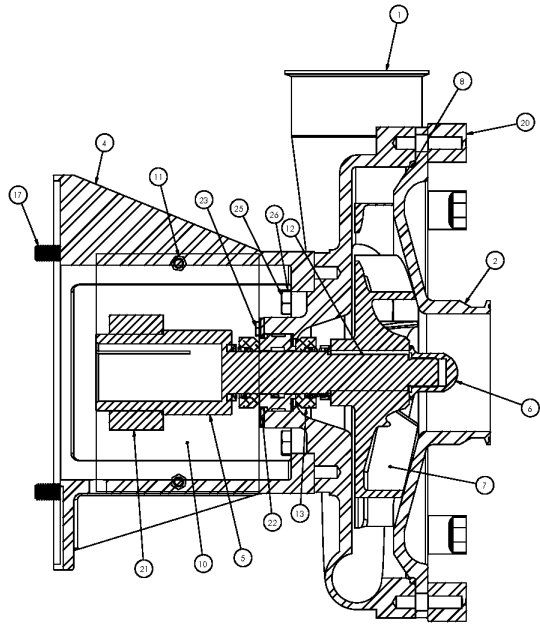
Ref #	Component Item No.	Description	Qty Per
1	SV73610000	CASING,X51/151/161,4 CLAMP LC LD	1
2	SC73620078	COVER,X151,X161,4 CLAMP L SERIES	1
3	SI73630056	IMPELLER,X151,280/30,280MAX EXT'D HUB LC/LD/LF	1
4	SX10600089	ADAPTER,280TC/TSC FRAME LC/LD	1
5	SX21000107	STUBSHAFT,280TC,1-7/8 W/KEY LDX	1
6	SI54000001	NUT,736,IMP LCX	1
8	GX80000021	GASKET,X050/150/160,CVR,N-70 LC BUNA	1
	<i>GX80000152</i>	<i>GASKET,X050/150/160,CVR,EPDM LC</i>	1
	<i>GX80000026</i>	<i>GASKET,X050/150/160,CVR,VIT LC</i>	1
10	SX10628089	GUARD,SHAFT,DBL FLNGE ADPTRS LC	2
11	GX48104020	CAPSCRW,HX,1/4-28X3/8,18-8SS HX HD	4
12	SX15000020	KEY,250TC-320TC LCX	1
13	GS2600131-SC	KIT,736,DBL SEAL,C/N/CE/V LD	1
	<i>GS2600139</i>	<i>KIT,736,DBL SEAL,C/C/C/V LD</i>	1
	<i>GS2600131</i>	<i>KIT,736,DBL SEAL,FR/N/CE/V LD</i>	1
17	SC1710H-SS	CAPSCRW,HX,1/2-13X1,18-8SS HX HD	4
20	SX03000020	NUT,WING LC SERIES	8
21	SX18000027	COLLAR,280TC/320TSC,SHAFT LC	1
22	SX48000023	RING,RETAINING,736 SEAL	1
23	GX48104020	CAPSCRW,HX,1/4-28X3/8,18-8SS HX HD	4
25	GX10610400	CAPSCRW,HX,M12-1.75X30MM,18-8S HX HD	4
26	GX10610405	WASHER,LCK,1/2,18-8SS L SERIES	4



Exploded View - Seal Only

Optional Items Shown in ITALICS

Ref #	Component Item No.	Description	Qty Per
13	GS2600131-SC	KIT,736,DBL SEAL,C/N/CE/V LD	1
	<i>GS2600139</i>	<i>KIT,736,DBL SEAL,C/C/C/V LD</i>	<i>1</i>
	<i>GS2600131</i>	<i>KIT,736,DBL SEAL,FR/N/CE/V LD</i>	<i>1</i>

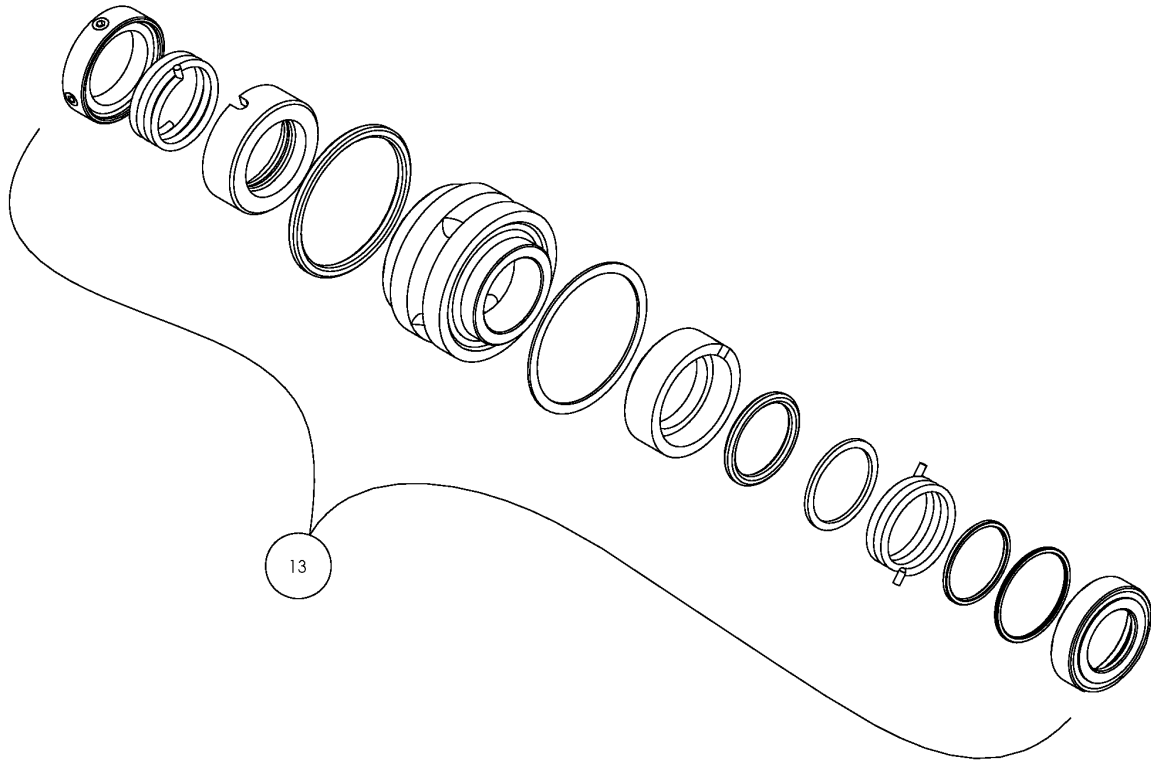


INCLUDED WITH PUMP FOR FLUSHING

Exploded View

Optional Items Shown in ITALICS

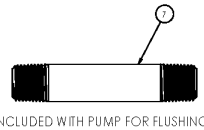
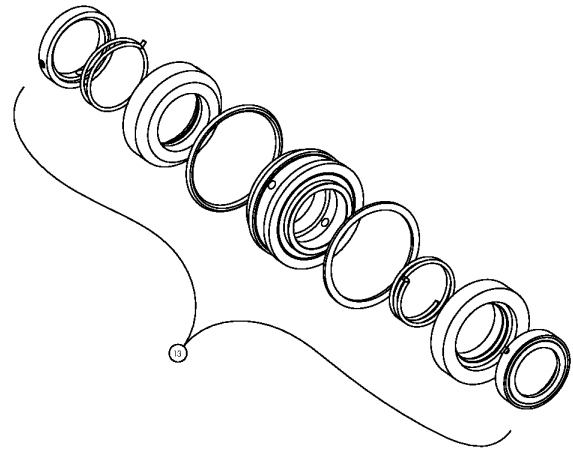
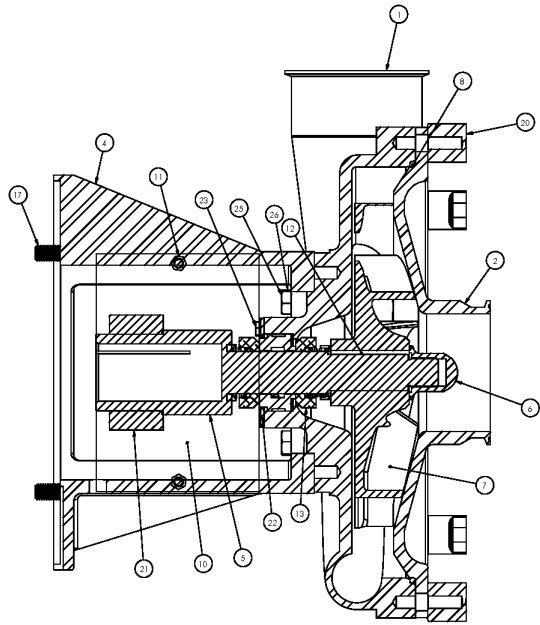
Ref #	Component Item No.	Description	Qty Per
1	SV73610000	CASING,X51/151/161,4 CLAMP LC LD	1
2	SC73620078	COVER,X151,X161,4 CLAMP L SERIES	1
3	SI73630056	IMPELLER,X151,280/30,280MAX EXT'D HUB LC/LD/LF	1
4	SX10600100	ADAPTER,320TC/TSC FRAME LC/LD/LF	1
5	SX21000108	STUBSHAFT,320TC,2-1/8 W/KEY LDX	1
6	SI54000001	NUT,736,IMP LCX	1
8	GX80000021	GASKET,X050/150/160,CVR,N-70 LC BUNA	1
	<i>GX80000152</i>	<i>GASKET,X050/150/160,CVR,EPDM LC</i>	<i>1</i>
	<i>GX80000026</i>	<i>GASKET,X050/150/160,CVR,VIT LC</i>	<i>1</i>
10	SX10628089	GUARD,SHAFT,DBL FLNGE ADPTRS LC	2
11	GX48104020	CAPSCRW,HX,1/4-28X3/8,18-8SS HX HD	4
12	SX15000020	KEY,250TC-320TC LCX	1
13	GS2600131-SC	KIT,736,DBL SEAL,C/N/CE/V LD	1
	<i>GS2600139</i>	<i>KIT,736,DBL SEAL,C/C/C/V LD</i>	<i>1</i>
	<i>GS2600131</i>	<i>KIT,736,DBL SEAL,FR/N/CE/V LD</i>	<i>1</i>
17	GX5076700	CAPSCRW,HX,5/8-11X1-1/2,18-8SS HX HD	4
20	SX03000020	NUT,WING LC SERIES	8
21	SX18000028	COLLAR,320TC,SHAFT LCX	1
22	SX48000023	RING,RETAINING,736 SEAL	1
23	GX48104020	CAPSCRW,HX,1/4-28X3/8,18-8SS HX HD	4
25	GX10610400	CAPSCRW,HX,M12-1.75X30MM,18-8S HX HD	4
26	GX10610405	WASHER,LCK,1/2,18-8SS L SERIES	4



Exploded View - Seal Only

Optional Items Shown in ITALICS

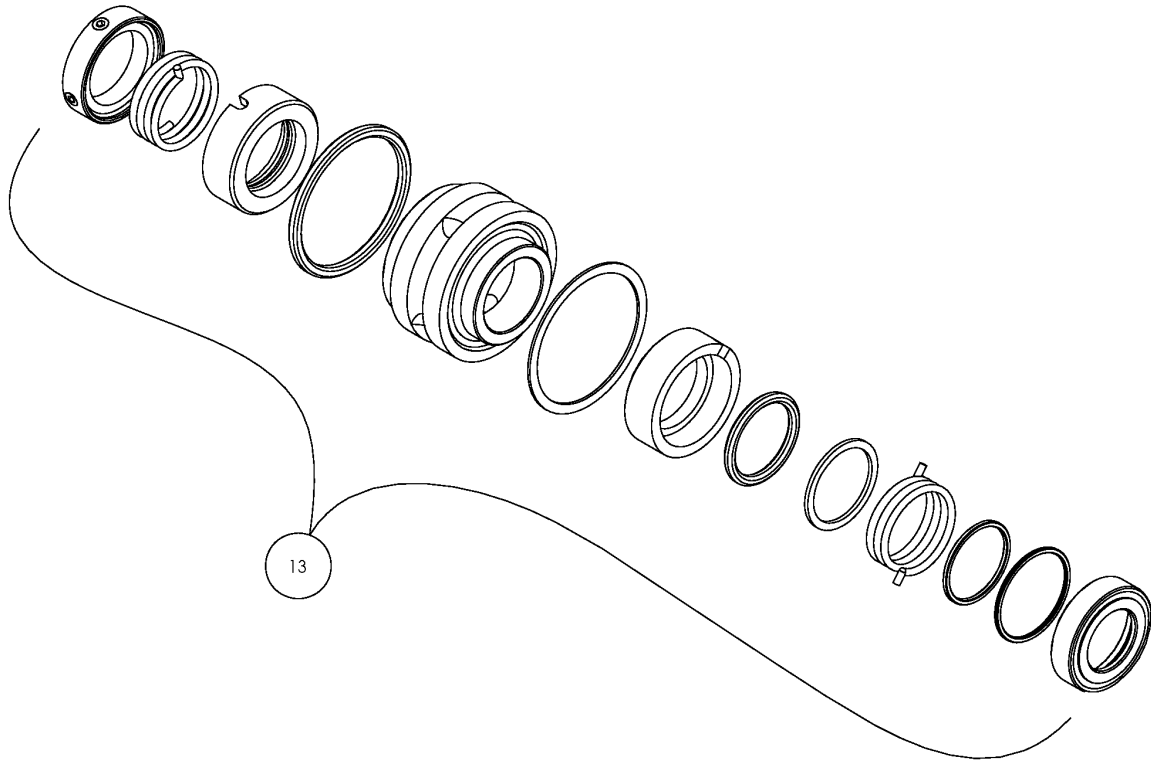
Ref #	Component Item No.	Description	Qty Per
13	GS2600131-SC	KIT,736,DBL SEAL,C/N/CE/V LD	1
	<i>GS2600139</i>	<i>KIT,736,DBL SEAL,C/C/C/V LD</i>	<i>1</i>
	<i>GS2600131</i>	<i>KIT,736,DBL SEAL,FR/N/CE/V LD</i>	<i>1</i>



Exploded View

Optional Items Shown in ITALICS

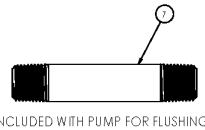
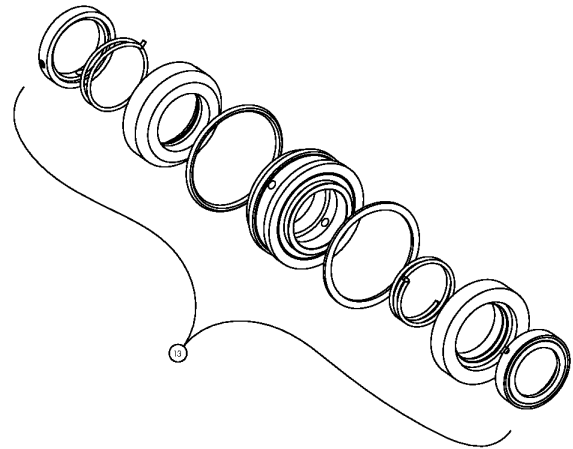
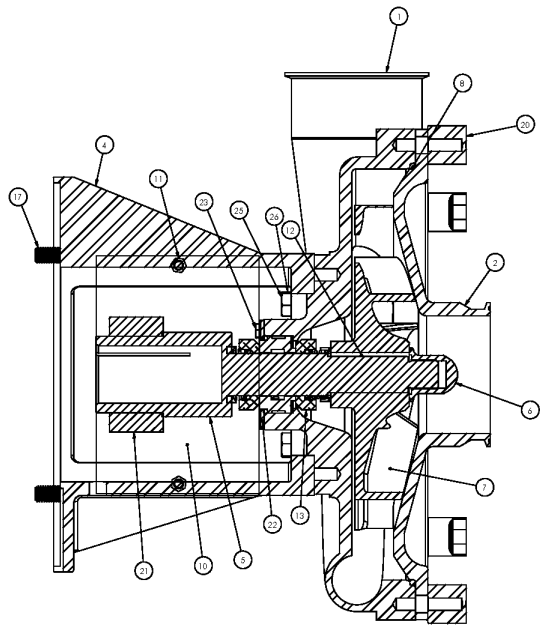
Ref #	Component Item No.	Description	Qty Per
1	SV73610000	CASING,X51/151/161,4 CLAMP LC LD	1
2	SC73620078	COVER,X151,X161,4 CLAMP L SERIES	1
3	SI73630132	IMPELLER,X161,320/30,320MAX EXT'D HUB LC/LD/LF	1
4	SX10600120	ADAPTER,210-250TC FRAME LCX/LD	1
5	SX21000106	STUBSHAFT,250TC,1-5/8 W/KEY LDX	1
6	SI54000001	NUT,736,IMP LCX	1
8	GX80000021	GASKET,X050/150/160,CVR,N-70 LC BUNA	1
	<i>GX80000152</i>	<i>GASKET,X050/150/160,CVR,EPDM LC</i>	<i>1</i>
	<i>GX80000026</i>	<i>GASKET,X050/150/160,CVR,VIT LC</i>	<i>1</i>
10	SX10628089	GUARD,SHAFT,DBL FLNGE ADPTRS LC	2
11	GX48104020	CAPSCRW,HX,1/4-28X3/8,18-8SS HX HD	4
12	SX15000020	KEY,250TC-320TC LCX	1
13	GS2600131-SC	KIT,736,DBL SEAL,C/N/CE/V LD	1
	<i>GS2600139</i>	<i>KIT,736,DBL SEAL,C/C/C/V LD</i>	<i>1</i>
	<i>GS2600131</i>	<i>KIT,736,DBL SEAL,FR/N/CE/V LD</i>	<i>1</i>
17	SC1710H-SS	CAPSCRW,HX,1/2-13X1,18-8SS HX HD	4
20	SX03000020	NUT,WING LC SERIES	8
21	SX18000035	COLLAR,250TC/280TSC,SHAFT LC	1
22	SX48000023	RING,RETAINING,736 SEAL	1
23	GX48104020	CAPSCRW,HX,1/4-28X3/8,18-8SS HX HD	4
25	GX10610400	CAPSCRW,HX,M12-1.75X30MM,18-8S HX HD	4
26	GX10610405	WASHER,LCK,1/2,18-8SS L SERIES	4



Exploded View - Seal Only

Optional Items Shown in ITALICS

Ref #	Component Item No.	Description	Qty Per
13	GS2600131-SC	KIT,736,DBL SEAL,C/N/CE/V LD	1
	<i>GS2600139</i>	<i>KIT,736,DBL SEAL,C/C/C/V LD</i>	<i>1</i>
	<i>GS2600131</i>	<i>KIT,736,DBL SEAL,FR/N/CE/V LD</i>	<i>1</i>

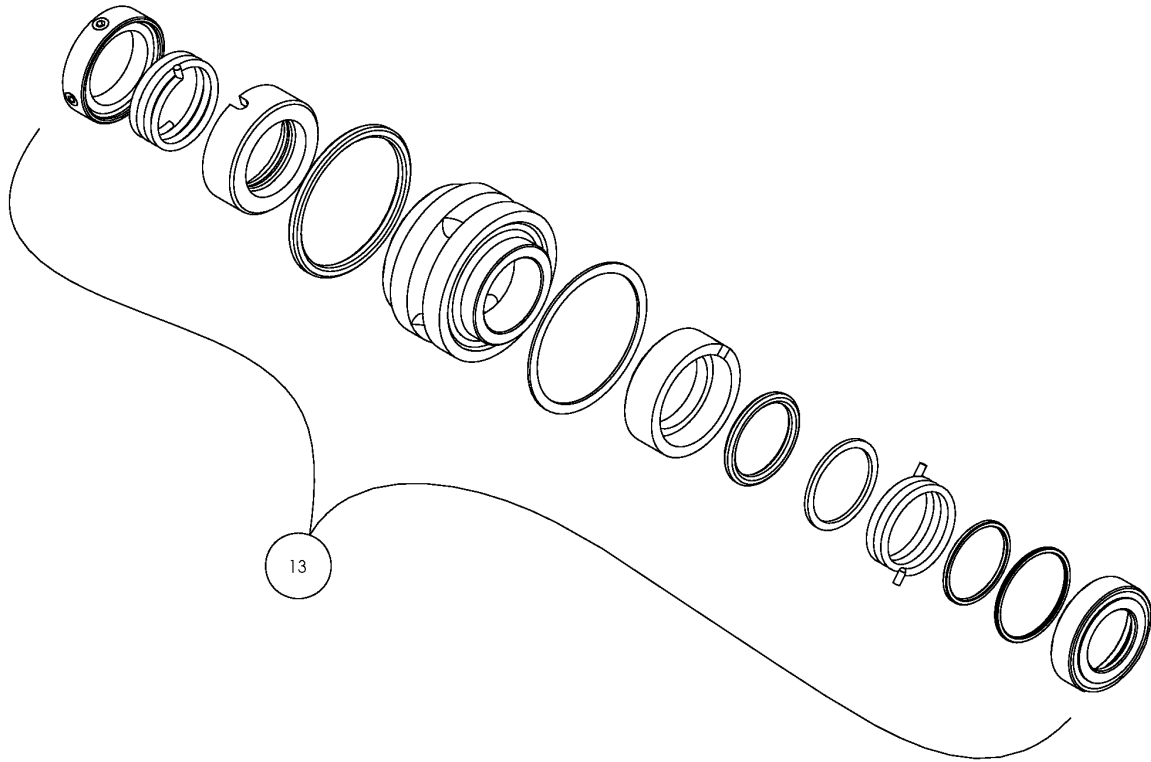


INCLUDED WITH PUMP FOR FLUSHING

Exploded View

Optional Items Shown in ITALICS

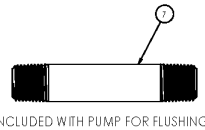
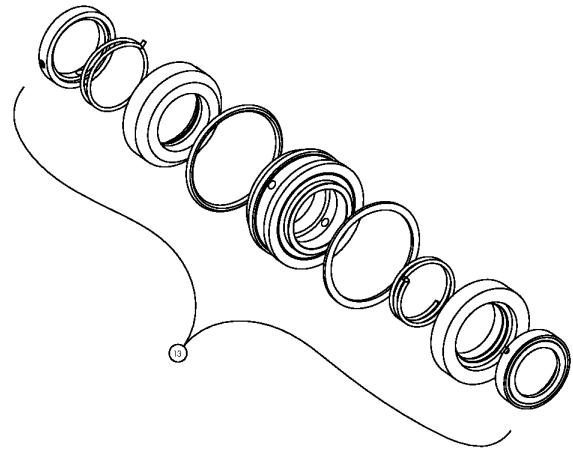
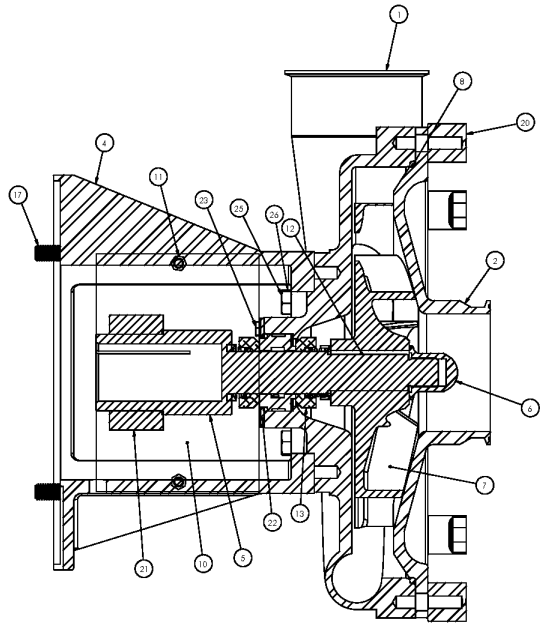
Ref #	Component Item No.	Description	Qty Per
1	SV73610000	CASING,X51/151/161,4 CLAMP LC LD	1
2	SC73620078	COVER,X151,X161,4 CLAMP L SERIES	1
3	SI73630132	IMPELLER,X161,320/30,320MAX EXT'D HUB LC/LD/LF	1
4	SX10600089	ADAPTER,280TC/TSC FRAME LC/LD	1
5	SX21000107	STUBSHAFT,280TC,1-7/8 W/KEY LDX	1
6	SI54000001	NUT,736,IMP LCX	1
8	GX80000021	GASKET,X050/150/160,CVR,N-70 LC BUNA	1
	<i>GX80000152</i>	<i>GASKET,X050/150/160,CVR,EPDM LC</i>	<i>1</i>
	<i>GX80000026</i>	<i>GASKET,X050/150/160,CVR,VIT LC</i>	<i>1</i>
10	SX10628089	GUARD,SHAFT,DBL FLNGE ADPTRS LC	2
11	GX48104020	CAPSCRW,HX,1/4-28X3/8,18-8SS HX HD	4
12	SX15000020	KEY,250TC-320TC LCX	1
13	GS2600131-SC	KIT,736,DBL SEAL,C/N/CE/V LD	1
	<i>GS2600139</i>	<i>KIT,736,DBL SEAL,C/C/C/V LD</i>	<i>1</i>
	<i>GS2600131</i>	<i>KIT,736,DBL SEAL,FR/N/CE/V LD</i>	<i>1</i>
17	SC1710H-SS	CAPSCRW,HX,1/2-13X1,18-8SS HX HD	4
20	SX03000020	NUT,WING LC SERIES	8
21	SX18000027	COLLAR,280TC/320TSC,SHAFT LC	1
22	SX48000023	RING,RETAINING,736 SEAL	1
23	GX48104020	CAPSCRW,HX,1/4-28X3/8,18-8SS HX HD	4
25	GX10610400	CAPSCRW,HX,M12-1.75X30MM,18-8S HX HD	4
26	GX10610405	WASHER,LCK,1/2,18-8SS L SERIES	4



Exploded View - Seal Only

Optional Items Shown in ITALICS

Ref #	Component Item No.	Description	Qty Per
13	GS2600131-SC	KIT,736,DBL SEAL,C/N/CE/V LD	1
	<i>GS2600139</i>	<i>KIT,736,DBL SEAL,C/C/C/V LD</i>	<i>1</i>
	<i>GS2600131</i>	<i>KIT,736,DBL SEAL,FR/N/CE/V LD</i>	<i>1</i>

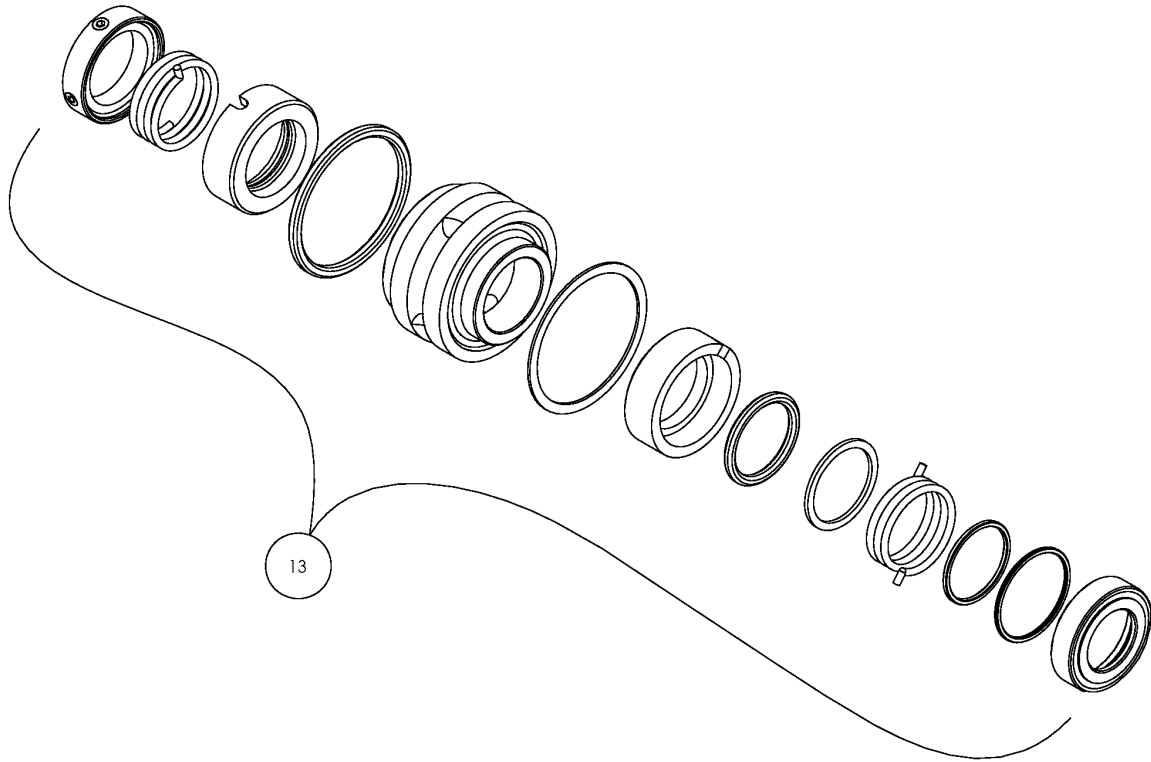


INCLUDED WITH PUMP FOR FLUSHING

Exploded View

Optional Items Shown in ITALICS

Ref #	Component Item No.	Description	Qty Per
1	SV73610000	CASING,X51/151/161,4 CLAMP LC LD	1
2	SC73620078	COVER,X151,X161,4 CLAMP L SERIES	1
3	SI73630132	IMPELLER,X161,320/30,320MAX EXT'D HUB LC/LD/LF	1
4	SX10600100	ADAPTER,320TC/TSC FRAME LC/LD/LF	1
5	SX21000108	STUBSHAFT,320TC,2-1/8 W/KEY LDX	1
6	SI54000001	NUT,736,IMP LCX	1
8	GX80000021	GASKET,X050/150/160,CVR,N-70 LC BUNA	1
	<i>GX80000152</i>	<i>GASKET,X050/150/160,CVR,EPDM LC</i>	<i>1</i>
	<i>GX80000026</i>	<i>GASKET,X050/150/160,CVR,VIT LC</i>	<i>1</i>
10	SX10628089	GUARD,SHAFT,DBL FLNGE ADPTRS LC	2
11	GX48104020	CAPSCRW,HX,1/4-28X3/8,18-8SS HX HD	4
12	SX15000020	KEY,250TC-320TC LCX	1
13	GS2600131-SC	KIT,736,DBL SEAL,C/N/CE/V LD	1
	<i>GS2600139</i>	<i>KIT,736,DBL SEAL,C/C/C/V LD</i>	<i>1</i>
	<i>GS2600131</i>	<i>KIT,736,DBL SEAL,FR/N/CE/V LD</i>	<i>1</i>
17	GX5076700	CAPSCRW,HX,5/8-11X1-1/2,18-8SS HX HD	4
20	SX03000020	NUT,WING LC SERIES	8
21	SX18000028	COLLAR,320TC,SHAFT LCX	1
22	SX48000023	RING,RETAINING,736 SEAL	1
23	GX48104020	CAPSCRW,HX,1/4-28X3/8,18-8SS HX HD	4
25	GX10610400	CAPSCRW,HX,M12-1.75X30MM,18-8S HX HD	4
26	GX10610405	WASHER,LCK,1/2,18-8SS L SERIES	4



Exploded View - Seal Only

Optional Items Shown in ITALICS

Ref #	Component Item No.	Description	Qty Per
13	GS2600131-SC	KIT,736,DBL SEAL,C/N/CE/V LD	1
	<i>GS2600139</i>	<i>KIT,736,DBL SEAL,C/C/C/V LD</i>	<i>1</i>
	<i>GS2600131</i>	<i>KIT,736,DBL SEAL,FR/N/CE/V LD</i>	<i>1</i>