

SALES & ENGINEERING DATA



NM2304A-() TWO - BALL PUMP

RATIO SERIES: **4:1**

FLUID P.S.I. RANGE: **0 - 600**

RELEASED: 10-17-97
REVISED: 5-25-10
(REV. 02) S-920

DIMENSIONAL DATA

MODEL NM2304A-X1-X11

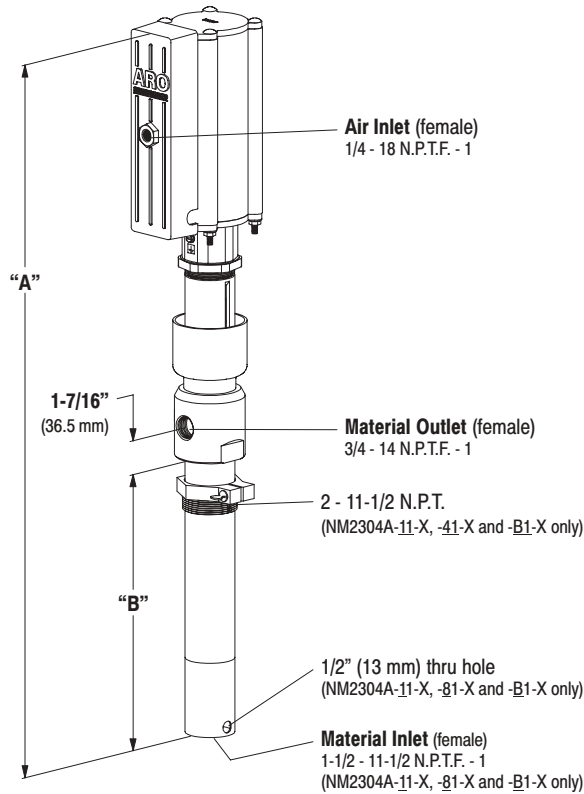


FIGURE 1

NOTE: Dimensions are shown in inches and (mm), supplied for reference only and are typically rounded up to the nearest 1/16 inch.

MODEL	"A" (mm)	"B" (mm)	WEIGHT (kg)
NM2304A-11-X11	30-1/4" (768.5)	11-3/4" (297.7)	32 lbs (14.5)
NM2304A-41-X11	55-5/8" (1413.0)	37-1/8" (942.2)	46 lbs (20.9)
NM2304A-81-X11	30-1/4" (768.5)	11-3/4" (297.7)	31.4 lbs (14.3)
NM2304A-91-X11	55-5/8" (1413.0)	37-1/8" (942.2)	45.4 lbs (20.6)
NM2304A-A1-X11	29-9/16" (751.0)	11-1/16" (280.2)	31.0 lbs (14.1)
NM2304A-B1-X11	30-1/4" (768.5)	11-3/4" (297.7)	32 lbs (14.5)

SPECIFICATIONS

Model Series	NM2304A-X1-X11
Pump Type	Air Operated, Two-Ball Oil Pump
Ratio	4:1
Air Motor	66913
Air Motor Repair Kit	637316
Air Motor Diameter	3" (7.62 cm)
Stroke	3" (7.62 cm)
Air Inlet (female)	1/4 - 18 N.P.T.F. - 1
Lower Pump End Series	67151-X-X11
Lower Pump Repair Kit	
NM2304A-X1-311	637176
NM2304A-X1-511	637176
NM2304A-X1-C11	637228
Material Inlet	
NM2304A-11-X11, -81-, -B1- (female)	1-1/2 - 11-1/2 N.P.T.F. - 1
NM2304A-41-X11, -91-, -A1-	immersed inlet
Material Outlet (female)	3/4 - 14 N.P.T.F. - 1

MATERIALS OF CONSTRUCTION

Outlet Body	Carbon Steel
Cylinder	Carbon Steel
Plunger	Carbon Steel
Upper Packing	
NM2304A-X1-C11	UHMW-PE
NM2304A-X1-311	Glass Filled PTFE
NM2304A-X1-511	Glass Filled Teflon / Leather Staggered
Lower Packing	
NM2304A-X1-C11	UHMW-PE
NM2304A-X1-311	PTFE
NM2304A-X1-511	PTFE
Upper Ball	52100 Chrome Steel
Upper Seat	Carbon Steel
Lower Ball	52100 Chrome Steel
Inlet Body	Carbon Steel

PERFORMANCE

Air Inlet Pressure Range	0 - 150 p.s.i. (0 - 10.3 bar)
Fluid Pressure Range	0 - 600 p.s.i. (0 - 41.4 bar)
Maximum Rec'd Cycles / Minute	125
Maximum Working Flow Rate	4.4 g.p.m. (16.79 l.p.m.)
Displacement in. ³ per Cycle	8.2
Volume / Cycle	4.54 oz. (134.3 ml)
Cycles Per Gallon	28.2
Flow @ 60 Cycles / Minute	2.1 gal. (8.06 lit.)
Noise Level @ 100 p.s.i.	85 db(A) ^①

① The pump sound pressure level has been updated to an Equivalent Continuous Sound Level (L_{Aeq}) to meet the intent of ANSI S1. 13-1971, CAGI-PNEUROPS S5.1 using four microphone locations.

ACCESSORIES:

61113 Wall Mount Bracket
66073-1 Air Line Connection Kit

PERFORMANCE CURVES

