

BALDOR® • ***RELIANCE***

Product Information Packet

AEM4104-4

30HP, 1775RPM, 3PH, 60HZ, 326U, 1250M, TEFC, F1

Part Detail							
Revision:	X	Status:	PRD/A	Change #:		Proprietary:	No
Type:	AC	Prod. Type:	1250M	Elec. Spec:	12WGX202	CD Diagram:	CD0006
Enclosure:	TEFC	Mfg Plant:		Mech. Spec:	12H79	Layout:	12LYH079
Frame:	326U	Mounting:	F1	Poles:	04	Created Date:	
Base:	RG	Rotation:	R	Insulation:	F	Eff. Date:	05-24-2016
Leads:	3#8					Replaced By:	
Literature:		Elec. Diagram:					

Nameplate NP1404E	
CAT.NO.	AEM4104-4
SPEC.	12H079X202G1
VOLTS	460
AMP	35
RPM	1775
HP	30
FRAME	326U
HZ	60
PH	3
SER.F.	1.00
CODE	G
DES	B
CL	F
NEMA-NOM-EFF	93.6
PF	86
G.MIN.EFF	92.4
CC	010A
RATING	65C AMB-CONT
LUBRICATION	POLYREX EM
DE	6312
ODE	6311
ENCL	TEFC
SER. #	

Parts List		
Part Number	Description	Quantity
SA055609	SA 12H079X202G1	1.000 EA
RA050202	RA 12H079X202G1	1.000 EA
10CB1000A04P	CONDUIT BOX, MACH W/EPOXY PRIMER	1.000 EA
09GS1010	GASKET, DWG, LEADWIRE SEPERATOR	1.000 EA
10XN3118K16	5/16-18 X 1' GRADE #5, STL, ZINC PLATE	4.000 EA
HW1001A31	LOCKWASHER 5/16, ZINC PLT.591 OD, .319 I	4.000 EA
WD1000B16	T&B CX70TN TERMINAL	1.000 EA
10XN2520K06	1/4-20 X 3/8" HX HD SCREWGRADE 5, ZINC P	1.000 EA
HW1001A25	LOCKWASHER 1/4, ZINC PLT .493 OD, .255 I	1.000 EA
12EP1107A05P	FR ENDPLATE, MACH W/EPOXY PRIMER	1.000 EA
HA3400A13	STUD, 1/2-13 X 7" WELKER	4.000 EA
HW1001A50	LOCKWASHER 1/2, ZINC PLT.,.879 OD, .509 I	4.000 EA
12FH1002P	FAN COVER, CAST W/EPOXY PRIMER	1.000 EA
HW5100A13	W4627-047 WVY WSHER	1.000 EA
12EP1106A02P	PU ENDPLATE, MACH W/EPOXY PRIMER	1.000 EA
10XN3118K36	5/16-18 X 2.25" HEX HD, GRADE 5	2.000 EA
10XN3118K40	5/16-18 X 2.50" HEX HD, GRADE 5	4.000 EA
10XN5013K28	1/2-13 X 1.75 HEX HEAD MACH SCREW,GRAD	4.000 EA
HW1001A50	LOCKWASHER 1/2, ZINC PLT.,.879 OD, .509 I	4.000 EA
XY5013A12	NUT,1/2-13,HEX,STEEL,ZINCPLATED	4.000 EA
HW1001A50	LOCKWASHER 1/2, ZINC PLT.,.879 OD, .509 I	4.000 EA
HA1005A04	SLINGER, OD 3.620, ID 1.98,	1.000 EA
HW4600B41	V-RING SLINGER 2.125 X 2.880 X 0.280	1.000 EA
10CB1500A01P	CONDUIT BOX LID, MACH W/EPOXY PRIMER	1.000 EA

Parts List (continued)		
Part Number	Description	Quantity
14GS1003	GASKET CONDUIT BOX LID, NEOP	1.000 EA
10XN2520K16	1/4-20 X 1" HX HD SCRW GRADE 5, ZINC P	4.000 EA
HW1001A25	LOCKWASHER 1/4, ZINC PLT .493 OD, .255 I	4.000 EA
MJ5001A27	32220KN GRAY SEALER *MIN BUY 4 QTS=1GAL	0.031 QT
MJ5004A04	ADHESIVE LOCTITE 609	0.005 EA
MJ5001A14	DYNAPRO SEAL, CP MOTORS VC#2508050 (603	0.001 EA
MJ5002A01	SILICON RUBBER SEALANT, 732CL 10.3 OZ TU	0.050 EA
HW2501H38	KEY, 1/2 SQ X 4.500	1.000 EA
LB1115N	LABEL,LIFTING DEVICE (ON ROLLS)	1.000 EA
HW4500A20	1/8NPT SL PIPE PLUG	2.000 EA
HA4054	SHORT T-DRAIN FITTING, .125" N.P.T.	1.000 EA
MJ1000A02	GREASE, POLYREX EM EXXON (USe 4824-15A)	0.200 LB
HW4500A20	1/8NPT SL PIPE PLUG	3.000 EA
09FN3001B03SP	EXTERNAL FAN, PLASTIC	1.000 EA
HW2500A25	WOODRUFF KEY USA #1008 #BLOW CARBON STEE	1.000 EA
51XB1214A20	12-14X1.25 HXWSSLD SERTYB	1.000 EA
MG1025G02	WILKOFAS, 782.02, LIGHT GRAY	0.080 GA
85XU0407S04	4X1/4 U DRIVE PIN STAINLESS	2.000 EA
MN416A01	TAG-INSTAL-MAINT no wire (1200/bx) 11/14	1.000 EA
WD1000B12	T&B D71, RING TERM, 8AWG, .25 STUD	3.000 EA
LB1119N	WARNING LABEL	1.000 EA
LC0006	CONNECTION LABEL	1.000 EA
NP1404E	SS UL CSA CC "AUTOMOTIVE"	1.000 EA
12PA1000	PACKAGING GROUP PRINT PK1024A06	1.000 EA

Accessories		
Part Number	Description	Multiplier
12-1105	C FACE KIT	A8

AC Induction Motor Performance Data

Record # 3386 - Typical performance - not guaranteed values

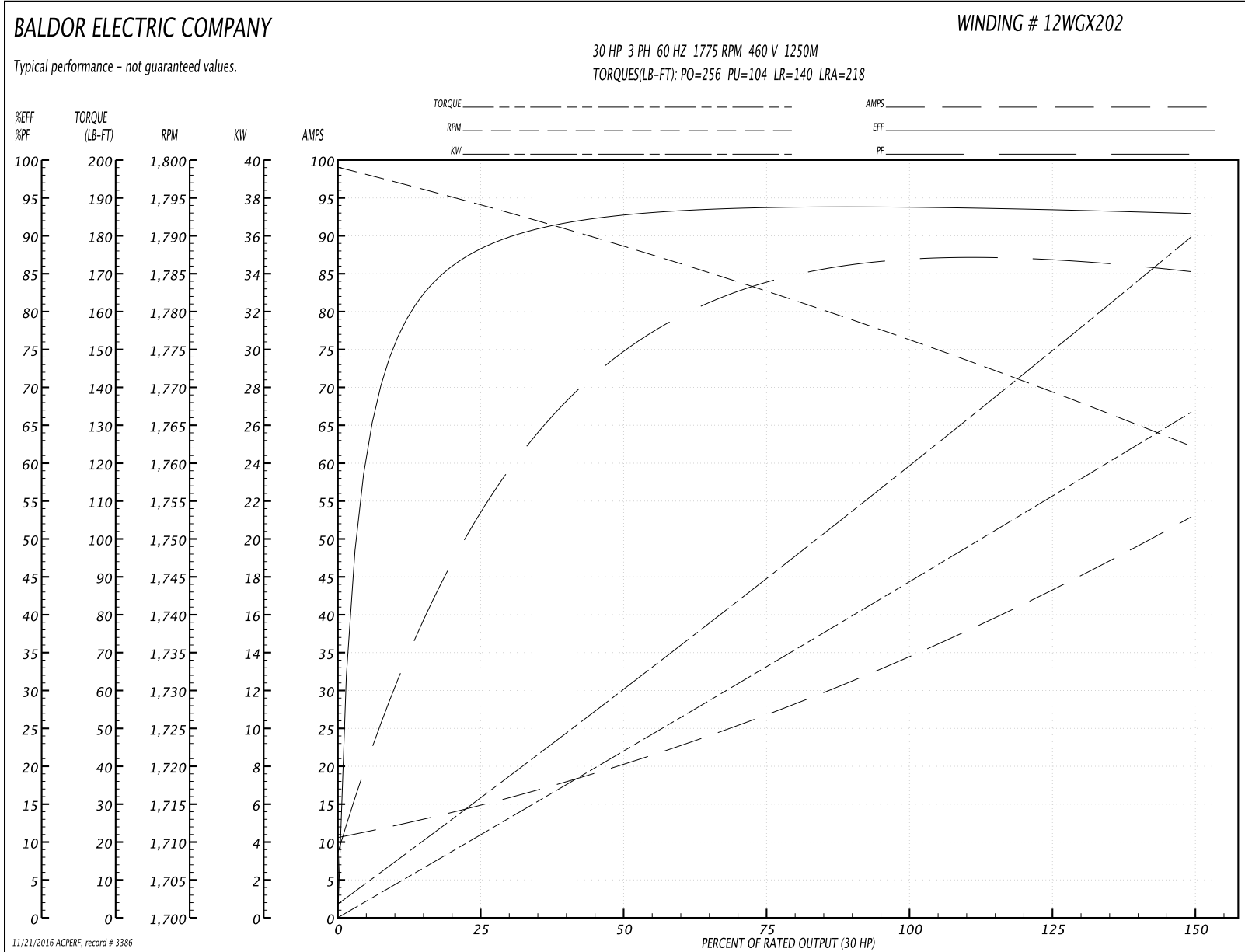
Winding: 12WGX202-R001	Type: 1250M	Enclosure: TEFC
-------------------------------	--------------------	------------------------

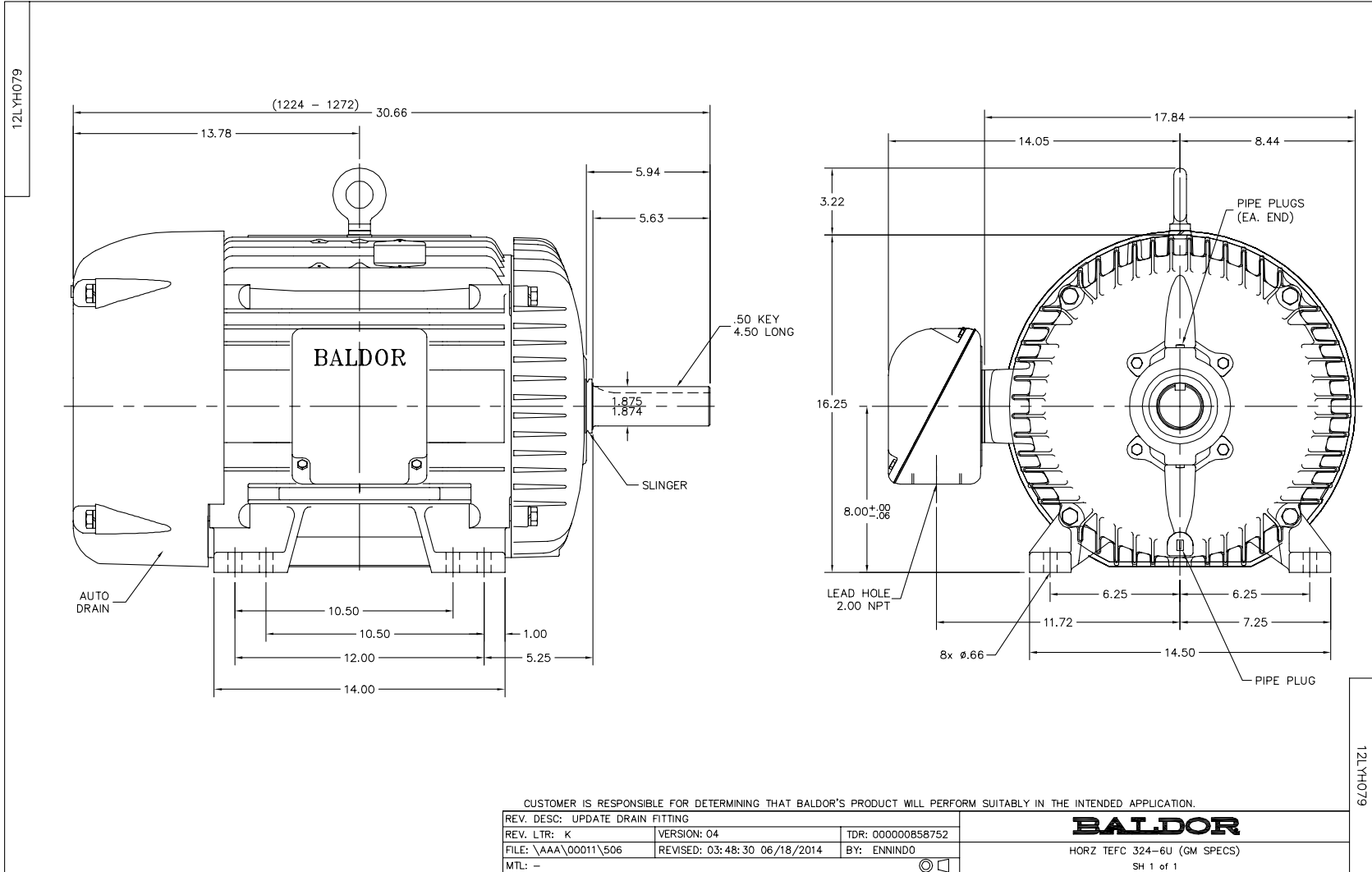
Nameplate Data				460 V, 60 Hz: Single Voltage Motor	
Rated Output (HP)	30			Full Load Torque	89 LB-FT
Volts	460			Start Configuration	direct on line
Full Load Amps	35			Breakdown Torque	256 LB-FT
R.P.M.	1775			Pull-up Torque	104 LB-FT
Hz	60	Phase	3	Locked-rotor Torque	140 LB-FT
NEMA Design Code	B	KVA Code	G	Starting Current	218 A
Service Factor (S.F.)	1			No-load Current	11.2 A
NEMA Nom. Eff.	93.6	Power Factor	86	Line-line Res. @ 25°C	0.217 Ω
Rating - Duty	65C AMB-CONT			Temp. Rise @ Rated Load	54°C
				Locked-rotor Power Factor	27
				Rotor inertia	6.66 LB-FT ²

Load Characteristics 460 V, 60 Hz, 30 HP

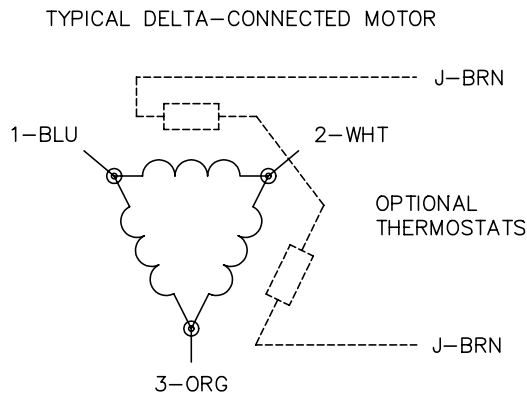
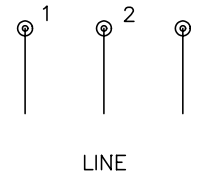
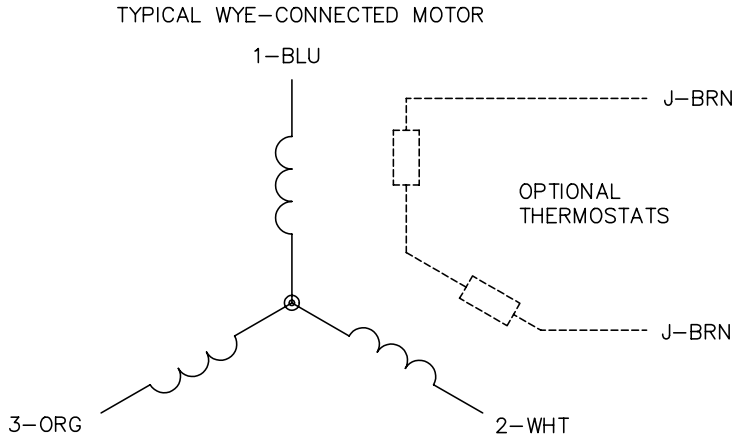
% of Rated Load	25	50	75	100	125	150
Power Factor	57	77	84	86	87	86
Efficiency	88.3	92.7	93.7	93.8	93.5	92.9
Speed	1794	1789	1782	1776	1770	1762
Line amperes	14.2	19.9	27.1	35.2	43.5	52.5

Performance Graph at 460V, 60Hz, 30.0HP Typical performance - Not guaranteed values





CD0006



NOTES:

1. THREE LEAD MOTOR MAY BE EITHER WYE CONNECTED OR DELTA CONNECTED.
2. INTERCHANGE ANY TWO LINE LEADS TO REVERSE ROTATION.
3. OPTIONAL THERMOSTATS ARE PROVIDED WHEN SPECIFIED.
4. ACTUAL NUMBER OF INTERNAL PARALLEL CIRCUITS MAY VARY.
5. LEAD COLORS ARE OPTIONAL. LEADS MUST BE NUMBERED AS SHOWN.

REV. DESC: REVISE TO SHOW OPTIONAL COLORS			
REV. LTR: D	BY: JLP	REVISED: 01/21/99 4:02	TDR: 0171435
9000D		FILE: AAA00005141	MDL: -
		MTL: -	

BALDOR ELECTRIC Co.

3PH, SV, 3 LEADS, WYE OR DELTA CONNECTED

CD0006