

BALDOR® • **RELIANCE**

Product Information Packet

BM3116

1HP,1725RPM,3PH,60HZ,56,BRAKE,3424M,OPEN

Part Detail							
Revision:	N	Status:	PRD/A	Change #:		Proprietary:	No
Type:	AC	Prod. Type:	3424M	Elec. Spec:	34WGW990	CD Diagram:	CD0005
Enclosure:	OPEN	Mfg Plant:		Mech. Spec:	34F039	Layout:	34LYF039
Frame:	56	Mounting:	F1	Poles:	04	Created Date:	
Base:	RG	Rotation:	R	Insulation:	B	Eff. Date:	03-28-2011
Leads:	9#18					Replaced By:	
Literature:		Elec. Diagram:					

Nameplate NP1256L										
CAT.NO.	BM3116									
SPEC.	34F039W990G1									
HP	1									
VOLTS	208-230/460									
AMP	3.7-3.4/1.7									
RPM	1725									
FRAME	56				HZ	60			PH	3
SER.F.	1.15		CODE	K	DES	B		CLASS	B	
NEMA-NOM-EFF	78.5		PF	70						
RATING	40C AMB-CONT									
CC								USABLE AT 208V	3.7	
DE	6203				ODE	6203				
ENCL	OPEN		SN							

Parts List		
Part Number	Description	Quantity
SA040548	SA 34F039W990G1	1.000 EA
RA036432	RA 34F039W990G1	1.000 EA
NS2512A01	INSULATOR, CONDUIT BOX X	1.000 EA
34CB3002A	CB CAST W/.88 DIA HOLE	1.000 EA
51XB1016A07	10-16 X 7/16 HXWSSLD SERTYB	2.000 EA
11XW1032G06	10-32 X .38, TAPTITE II, HEX WSHR SLTD U	1.000 EA
34EP3900A07	FR ENDPLATE, MACH	1.000 EA
HW5100A03SP	WAVY WASHER (W1543-017)	1.000 EA
34EP3212A02	PU ENDPLATE, MODEL 34 OPEN	1.000 EA
18XN2520A08	1/4-20X1/2 FLAT HD SLTD X	2.000 EA
HW2500A13	KEY, USA #605, WOODRUFF	1.000 EA
XY1032A02	10-32 HEX NUT DIRECTIONAL SERRATION	4.000 EA
34CB4517	CB LID 4 MTG HOLES .22 DIA STAMPED, FOR	1.000 EA
51XW0832A07	8-32 X .44, TAPTITE II, HEX WSHR SLTD SE	4.000 EA
HW2501D13	KEY, 3/16 SQ X 1.375	1.000 EA
HA7000A04	KEY RETAINER 0.625 DIA SHAFTS	1.000 EA
MG1000G27	MED CHARCOAL METALLIC GREY 400-0096	0.014 GA
10XF0440S02	04-40 X 1/8 TYPE F HEX HD STAINLESS STIC	2.000 EA
LB1185	LABEL,BRAKE CONNECTION (ON ROLLS)	1.000 EA
WD4006C05	ORANGE, WIRENUT, G-B #13-003 ORG SIZE 73B	3.000 EA
HA3100A18	THRUBOLT 10-32 X 9.250	4.000 EA
48BK6101BP-	1-048-161-01-BP- BRAKE	1.000 EA
MN416A01	TAG-INSTAL-MAINT no wire (1200/bx) 11/14	1.000 EA
LC0005E01	CONN.DIA./WARNING LABEL (LC0005/LB1119N)	1.000 EA

Parts List (continued)		
Part Number	Description	Quantity
NP1256L	ALUM UL CSA CC	1.000 EA
27PA1001	PKG GRP, PRINT PK1027A06	1.000 EA

AC Induction Motor Performance Data

Record # 50818 - Typical performance - not guaranteed values

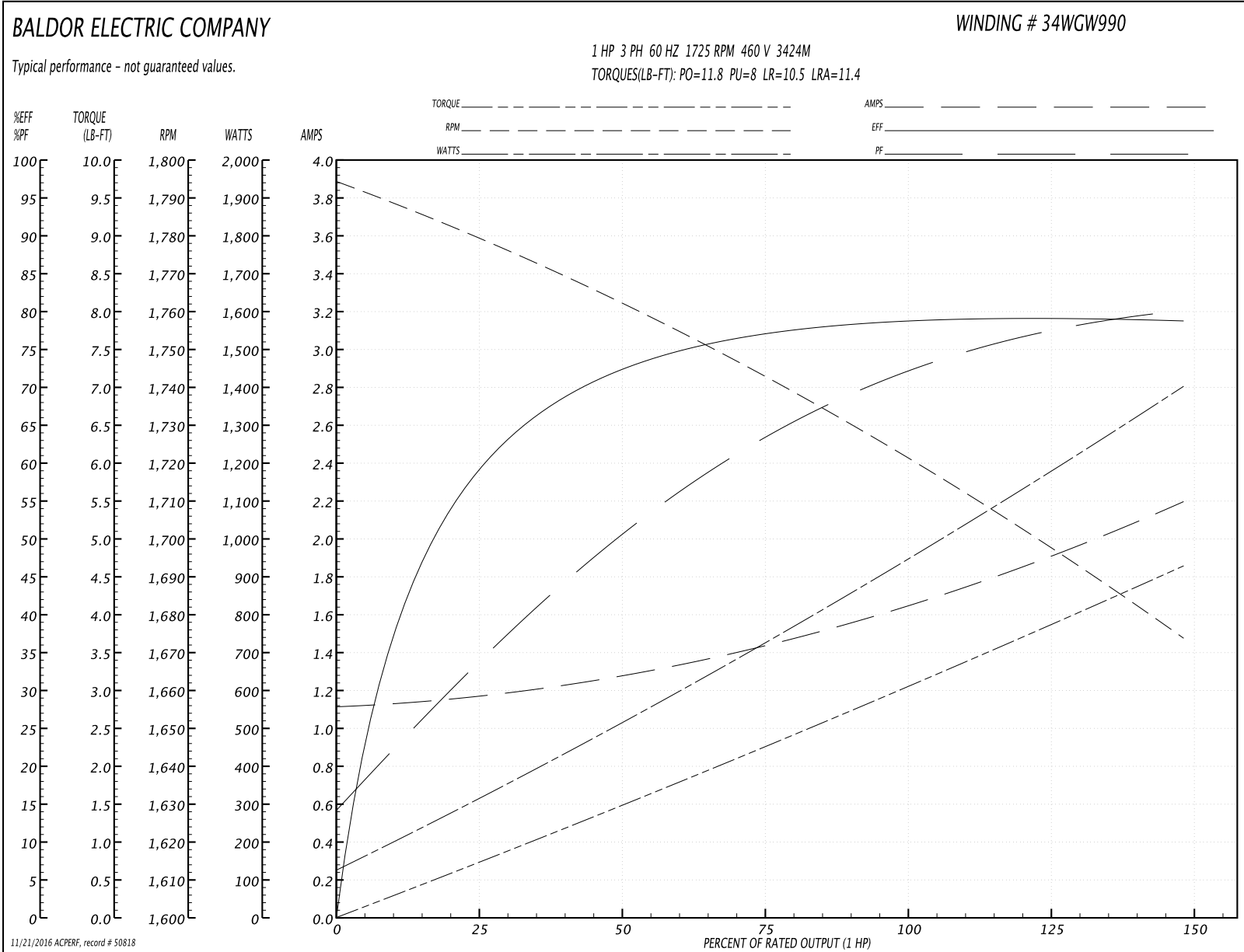
Winding: 34WGW990-R002	Type: 3424M	Enclosure: OPEN
-------------------------------	--------------------	------------------------

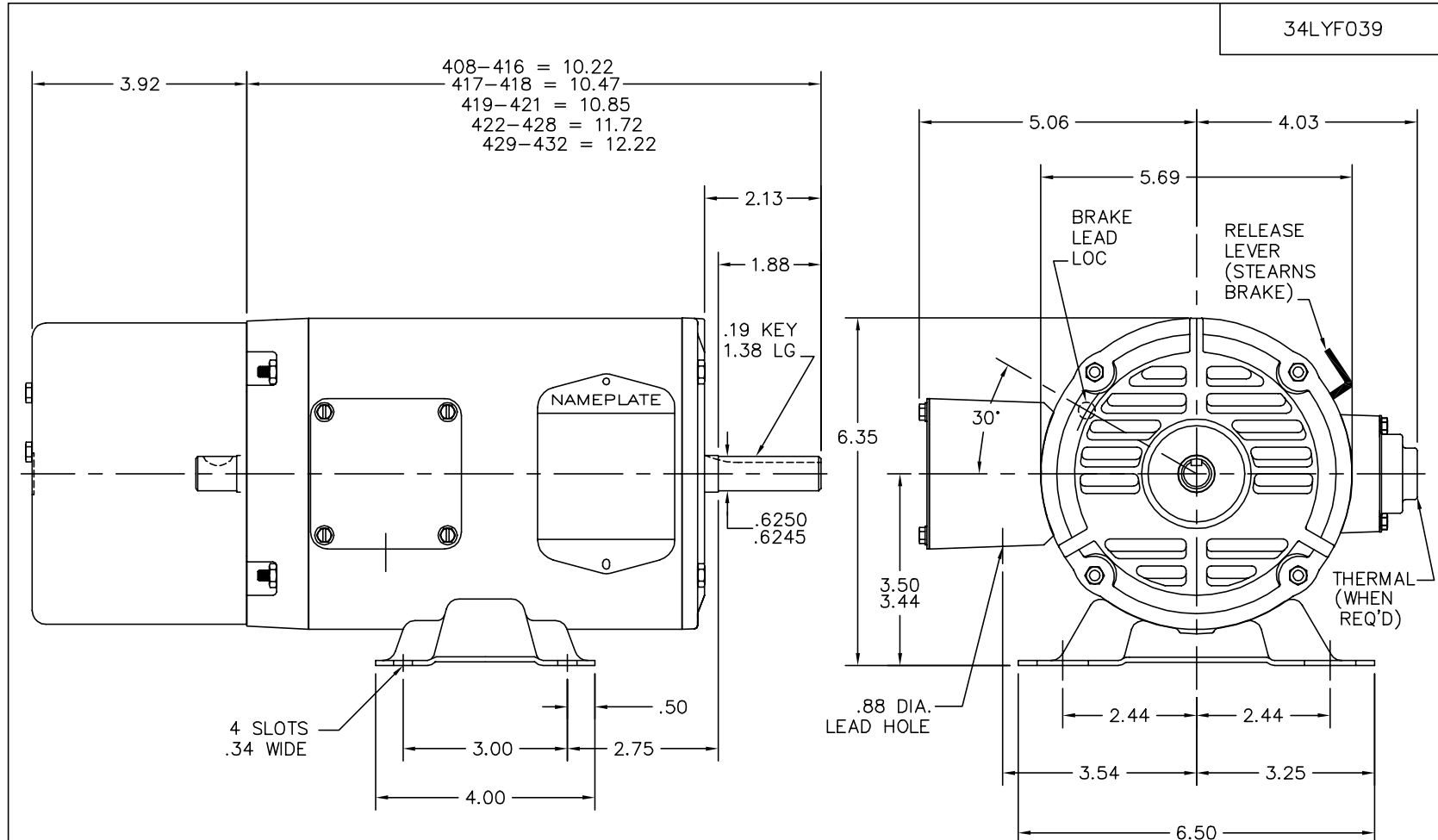
Nameplate Data				460 V, 60 Hz: High Voltage Connection	
Rated Output (HP)	1			Full Load Torque	3.1 LB-FT
Volts	208-230/460			Start Configuration	direct on line
Full Load Amps	3.7-3.4/1.7			Breakdown Torque	11.8 LB-FT
R.P.M.	1725			Pull-up Torque	8 LB-FT
Hz	60	Phase	3	Locked-rotor Torque	10.5 LB-FT
NEMA Design Code	B	KVA Code	K	Starting Current	11.4 A
Service Factor (S.F.)	1.15			No-load Current	1.1 A
NEMA Nom. Eff.	78.5	Power Factor	70	Line-line Res. @ 25°C	13.4 Ω
Rating - Duty	40C AMB-CONT			Temp. Rise @ Rated Load	

Load Characteristics 460 V, 60 Hz, 1 HP

% of Rated Load	25	50	75	100	125	150	S.F.
Power Factor	34	51	63	72	77	81	75
Efficiency	59.6	72.6	77.3	79.1	79.3	78.6	79.2
Speed	1778	1760	1741	1721	1698	1673	1707
Line amperes	1.2	1.3	1.4	1.7	1.9	2.2	1.8

Performance Graph at 460V, 60Hz, 1.0HP Typical performance - Not guaranteed values





CUSTOMER IS RESPONSIBLE FOR DETERMINING THAT MOTOR PERFORMANCE IS SUITABLE IN THE APPLICATION.

REV. DESC: NEW KBOX & LID			
REV. LTR: C	BY: RT	REVISED: 13:15:45 10/14/2003	TDR: 314971
650J77C		FILE: AAA00026621	REF: 34LYF039
		MTL: -	

BALDOR ELECTRIC Co.

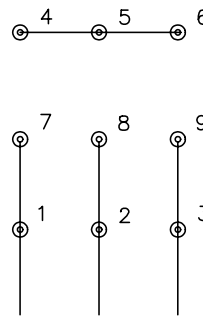
STD HORZ MODEL 34M NEMA 56 OPEN W/BRAKE

34LYF039

CD0005

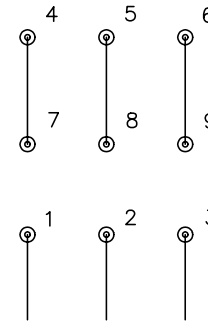


LOW VOLTAGE
(2Y)



LINE

HIGH VOLTAGE
(1Y)



LINE

NOTES:

1. INTERCHANGE ANY TWO LINE LEADS TO REVERSE ROTATION.
2. OPTIONAL THERMOSTATS ARE PROVIDED WHEN SPECIFIED.
3. ACTUAL NUMBER OF INTERNAL PARALLEL CIRCUITS MAY BE A MULTIPLE OF THOSE SHOWN ABOVE.
4. LEAD COLORS ARE OPTIONAL. LEADS MUST ALWAYS BE NUMBERED AS SHOWN.

REV. DESC: REVISE TO SHOW OPTIONAL COLORS			
REV. LTR: E	BY: JLP	REVISED: 01/19/99 10:15	TDR: 0171435
90000		FILE: AAA00005140	MDL: -
		MTL: -	

BALDOR ELECTRIC Co.

3PH, DV, 9 LEADS

CD0005