

BALDOR® • **RELIANCE**

Product Information Packet

CD5318

1HP,1750RPM,DC,56C,3535D,TEFC,F1

Part Detail							
Revision:	M	Status:	PRD/A	Change #:		Proprietary:	No
Type:	DC	Prod. Type:		Elec. Spec:	35WGZ391	CD Diagram:	CD0860C01
Enclosure:	TEFC	Mfg Plant:		Mech. Spec:	35P442	Layout:	35LYP442
Frame:	56C	Mounting:	F1	Poles:	2///	Created Date:	
Base:	RG	Rotation:	R	Insulation:	F	Eff. Date:	09-01-2016
Field Type:	Shunt	Literature:		Elec. Diagram:		Replaced By:	

Nameplate NP0111L	
CAT.NO.	CD5318
SPEC.	35P442Z391
HP	1
RPM	1750
FRAME	56C
ARM V	180
FLD V	200/100
INSUL	F
DUTY	CONT
BRG/DE	6205
BRUSHES	2/BP5000T07
SER.	
BLANK	
APRV-CSA	<input type="checkbox"/>
APRV-UL	<input type="checkbox"/>

	ENCL	TEFC
TYPE	3535D	
ARM A	5	
FLD A	.3/.6	
AMB.	40	
SUPPLY	1.3	
BRG/ODE	6203	
	BLANK	

Parts List		
Part Number	Description	Quantity
SA046563	SA 35P442Z391	1.000 EA
AA005341	AA 35P442Z391	1.000 EA
MH2001A01B19	GLASTIC SHEET .093 X 1.188 X	0.126 LB
BP5000T07SP	CARBON BRUSH - SCHUNK GRADE 3971	1.000 EA
11XW1032G06	10-32 X .38, TAPTITE II, HEX WSHR SLTD U	1.000 EA
HW3001B01	BRASS CUP WASHER, FOR #8 SCREW	1.000 EA
35EP3112A02	FR ENDPLATE, MACH	1.000 EA
HW5100A03SP	WAVY WASHER (W1543-017)	1.000 EA
35EP3301A01	PU ENDPLATE, MACH	1.000 EA
51XN1032A20	10-32 X 1 1/4 HX WS SL SR	2.000 EA
BP5201A14SP	BRUSH HOLDER ASSY	1.000 EA
80XN1032A03	10-32 X 3/16 SET SCREW	2.000 EA
35FN3002A05	EXFN, PLASTIC, 6.376 OD, .638 ID	1.000 EA
51XB1214A16	12-14X1.00 HXWSSLD SERTYB	1.000 EA
35FH5001A10SP	FAN COVER ASS'Y TEFC HORZ	1.000 EA
51XW1032A06	10-32 X .38, TAPTITE II, HEX WSHR SLTD S	3.000 EA
35CB4506	CONDUIT BOX LID, STAMPED	1.000 EA
35GS1010	CONDUIT BOX LID, GASKET	1.000 EA
51XW0832A07	8-32 X .44, TAPTITE II, HEX WSHR SLTD SE	2.000 EA
HW2501D13	KEY, 3/16 SQ X 1.375	1.000 EA
HA7000A04	KEY RETAINER 0.625 DIA SHAFTS	1.000 EA
WD4102A07	STRAIN RELIEF - MICRO PLASTIC #23MP07W20	1.000 EA
WD4100A17	PLUG STIMPSON D4036	1.000 EA
MG1000G27	MED CHARCOAL METALLIC GREY 400-0096	0.017 GA

Parts List (continued)		
Part Number	Description	Quantity
10XF0440S02	04-40 X 1/8 TYPE F HEX HD STAINLESS STIC	2.000 EA
MJ5004A05	#242-21 LOCTITE GENERAL PURPOSE MED. STR	0.001 EA
HA3101A22	THRUBOLT 1/4-20 X 9.000	4.000 EA
MN416A01	TAG-INSTAL-MAINT no wire (1200/bx) 11/14	1.000 EA
LB1119N	WARNING LABEL	1.000 EA
LC0860	CONN. DIAGRAM-DC(SHUNT WOUND MOTOR)	1.000 EA
NP0111L	NP STD LASER ENGRAVED DC MOTORS, UL CSA	1.000 EA
27PA1001	PKG GRP, PRINT PK1027A06	1.000 EA

Accessories		
Part Number	Description	Multiplier
TK3500	TACHO MOUTING KIT TK3500	A8

DC Motor Performance Data

Record # 279 - Typical performance - not guaranteed values

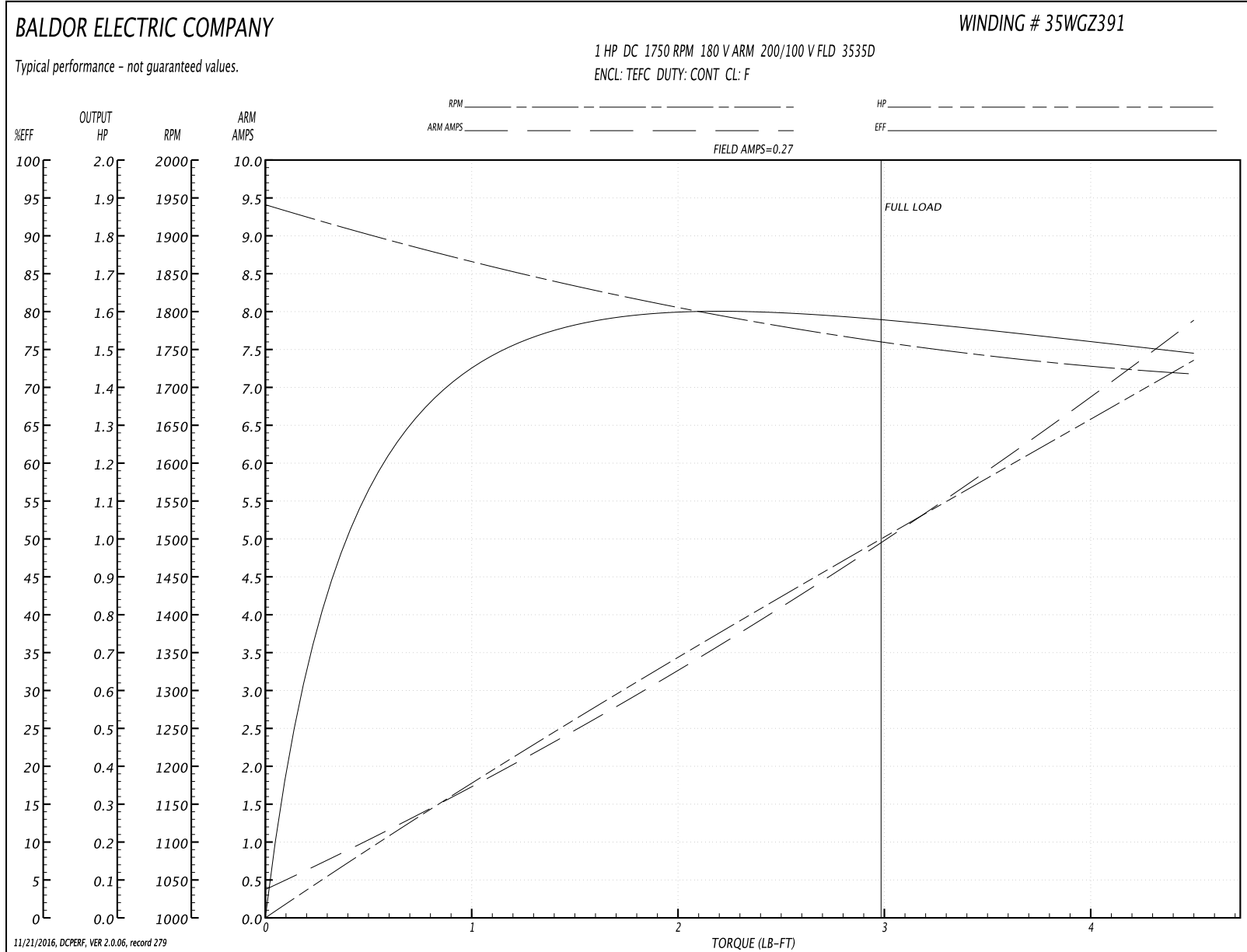
Winding: 35WGZ391-R001	Type: 3535D	Enclosure: TEFC
-------------------------------	--------------------	------------------------

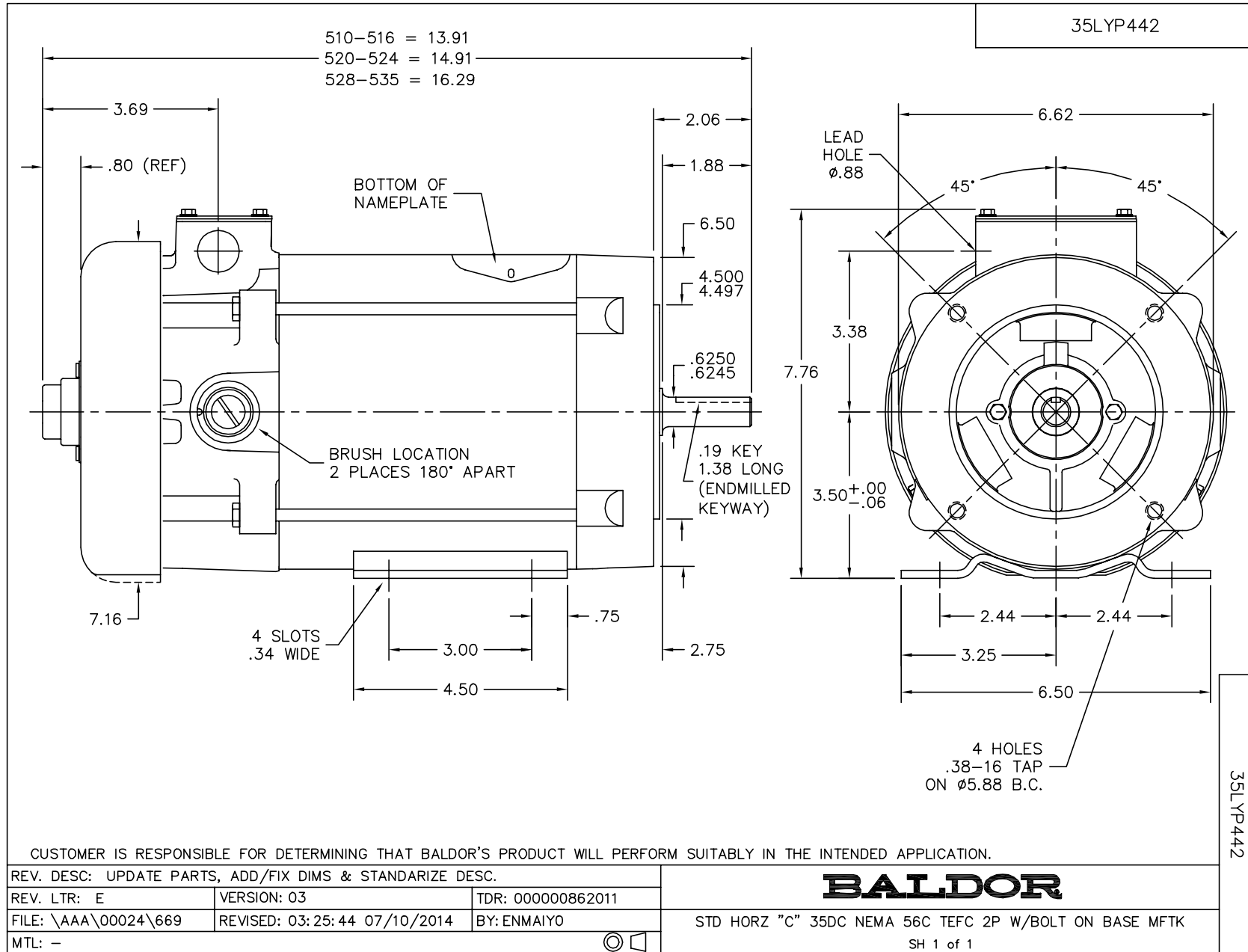
Nameplate Data		General Characteristics	
Rated Output (HP)	1	Armature Resistance @ 25°C	1.898 Ω
R.P.M.	1750	Commutating Winding Resistance @ 25°C	1.363 Ω
Armature Volts	180		
Armature Amps	5	Shunt Winding Resistance @ 25°C	686.4 Ω
Field Volts	200 / 100		
Field Amps	0.3 / 0.6		
Rating - Duty	40C AMB-CONT		
Form Factor	1.3		
		Temp. Rise @ Rated Load	102°C

Load Characteristics at 180 Armature Volts, 200 Field Volts, 0.27 Field Amps

Load Point	1	2	3	4	5	6	7
Armature Amps	0.35	1.4	2.5	3.7	4.9	6.4	7.9
R.P.M.	1945	1878	1831	1795	1760	1739	1714
Torque (LB-FT)	0	0.75	1.5	2.25	3	3.75	4.5

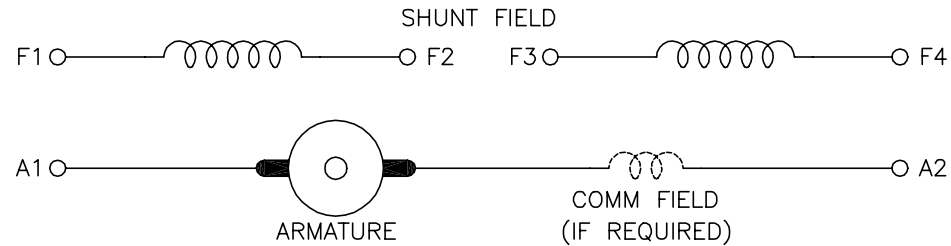
Performance Graph at 180.0 Arm V, 1.0HP Typical performance - Not guaranteed values





CD0860C01

SHUNT WOUND



CONNECTION	DIRECTION OF ROTATION			
	CWDE		CCWDE	
	POS TERM (+)	NEG TERM (-)	POS TERM (+)	NEG TERM (-)
HIGH VOLTAGE	A1 F1 CONNECT F2 & F3	A2 F4	A2 F1 CONNECT F2 & F3	A1 F4
LOW VOLTAGE	A1 F1 & F3	A2 F2 & F4	A2 F1 & F3	A1 F2 & F4

NOTES:

1. LIMIT STARTING INRUSH CURRENT TO NOT MORE THAN 3 TIMES RATED AMPERES BY ENERGIZING THE FULL SHUNT FIELD BEFORE BRINGING THE ARMATURE VOLTAGE UP SLOWLY OR IN STEPS.
2. OPTIONAL FIELD REOSTAT MAY BE CONNECTED IN SERIES WITH THE SHUNT FIELD.
3. OPTIONAL THERMOSTAT LEADS ARE MARKED J,J.

REV. DESC: NEW, REPLACE CD0860			
REV. LTR: -	BY: JLP	REVISED: 15: 35: 22 11/03/2004	TDR: 347796
100098000		FILE: AAA00121477	REF: CD0860C01
		MTL: -	

BALDOR ELECTRIC Co.

DC CONNECTION DIAGRAM, SHUNT FIELD, 6 LEAD, DUAL VOLTAGE

CD0860C01