

# **BALDOR**® • ***RELIANCE***

## **Product Information Packet**

# **CEFWWDM3546**

**1HP,1760RPM,3PH,60HZ,56C,3519M,TEFC,F1,N**

Part Detail							
Revision:	G	Status:	PRD/A	Change #:		Proprietary:	No
Type:	AC	Prod. Type:	3520M	Elec. Spec:	35WGM492	CD Diagram:	CD0005
Enclosure:	TEFC	Mfg Plant:		Mech. Spec:	35E1679	Layout:	35LYE1679
Frame:	56C	Mounting:	F1	Poles:	04	Created Date:	12-14-2012
Base:	RG	Rotation:	R	Insulation:	F	Eff. Date:	08-24-2016
Leads:	9#18					Replaced By:	
Literature:		Elec. Diagram:					

Nameplate NP1669L												
CAT.NO.	CEFWWD3546											
SPEC.	35E1679M492G1											
HP	1											
VOLTS	208-230/460											
AMP	3.1-3/1.5											
RPM	1760											
FRAME	56C					HZ	60			PH	3	
SER.F.	1.15					CODE	L		DES	B	CLASS	F
NEMA-NOM-EFF	85.5					PF	71					
RATING	40C AMB-CONT											
CC	010A								USABLE AT 208V	3.1		
DE	6205					ODE	6205					
ENCL	TEFC					SN						
BLANK												

Parts List		
Part Number	Description	Quantity
SA255727	SA 35E1679M492G1	1.000 EA
RA242527	RA 35E1679M492G1	1.000 EA
34FN3002B01	EXTERNAL FAN, PLASTIC, .637/.639 HUB W/	1.000 EA
NS2512A01	INSULATOR, CONDUIT BOX X	1.000 EA
35CB3008A01W	35 CB .50 NPT @ 6, MACH WHITE EPOXY	1.000 EA
35GS1040	35 MOLDED GASKET W/LIP, LEAD SEAL,	1.000 EA
51XB1016A07	10-16 X 7/16 HXWSSLD SERTYB	2.000 EA
11XW1032G06	10-32 X .38, TAPTITE II, HEX WSHR SLTD U	1.000 EA
35EP3101A110MW	FRONT TEFC 205 BRG WD6 SEAL	1.000 EA
HW4032A01	BLACK DRAIN PLUG FOR WASH DOWN MOTORS	3.000 EA
HW4606A02	JM CLIPPER/SEAL (LWE-0938-1624-AL23)	1.000 EA
HW5100A05	WVY WSHR F/205 & 304 BRGS	1.000 EA
12XN1032S20	10-32 X 1-1/4 HEX M.S. , STAINLESS STEEL	2.000 EA
35EP3300A48MW	SPL FACE MTD EP - 205 BRG - W/SEAL FOR W	1.000 EA
HW4032A01	BLACK DRAIN PLUG FOR WASH DOWN MOTORS	3.000 EA
HW4606A02	JM CLIPPER/SEAL (LWE-0938-1624-AL23)	1.000 EA
35FH4005A01SP	IEC FH NO GREASER W/PRIMED	1.000 EA
11XW1032S06	10-32 X .38, TAPTITE II, HEX WSHR SLTD U	3.000 EA
35CB4522	35 LIPPED CB LID PRIMED	1.000 EA
35GS1030A02	35 GS FOR CB LID - WHITE NEOPRENE	1.000 EA
59XW0832S07	TAPTITE II,HEX WSHR UNSLTD SER,410 S.S.,	4.000 EA
HW2502D13	SS KEY, 3/16 SQ X 1.375	1.000 EA
HA7000A04	KEY RETAINER 0.625 DIA SHAFTS	1.000 EA
MJ5001A27	32220KN GRAY SEALER *MIN BUY 4 QTS=1GAL	0.001 QT

<b>Parts List (continued)</b>		
<b>Part Number</b>	<b>Description</b>	<b>Quantity</b>
85XU0407S04	4X1/4 U DRIVE PIN STAINLESS	2.000 EA
LB1164	LABEL,WARNING AND DRAIN	1.000 EA
HA5027A01	HA4066A01 T-DRAIN X2 BAGGED	1.000 EA
MJ1000A02	GREASE, POLYREX EM EXXON (USe 4824-15A)	0.050 LB
MG1025W01	WILKOFASST, 781.01, SIGNAL WHITE #9003	0.017 GA
MG1025Z02	ACTIVATOR WILKOFASST 060.02HF	0.010 GA
HW3001B01	BRASS CUP WASHER, FOR #8 SCREW	1.000 EA
51XB1214A16	12-14X1.00 HXWSSLD SERTYB	1.000 EA
HA3100S08	THRUBOLT 7.375LG SS	4.000 EA
LC0005	CONN.DIA.,TY M,9-LD,DUAL VOLT,REVERSING	1.000 EA
NP1669L	SS WD SUPER-E UL CSA-EEV PREM REV MTG	1.000 EA
35PA1066	PKG GRP, PRINT PK1008A06	1.000 EA
MN416A01	TAG-INSTAL-MAINT no wire (1200/bx) 11/14	1.000 EA

**AC Induction Motor Performance Data**

Record # 31554 - Typical performance - not guaranteed values

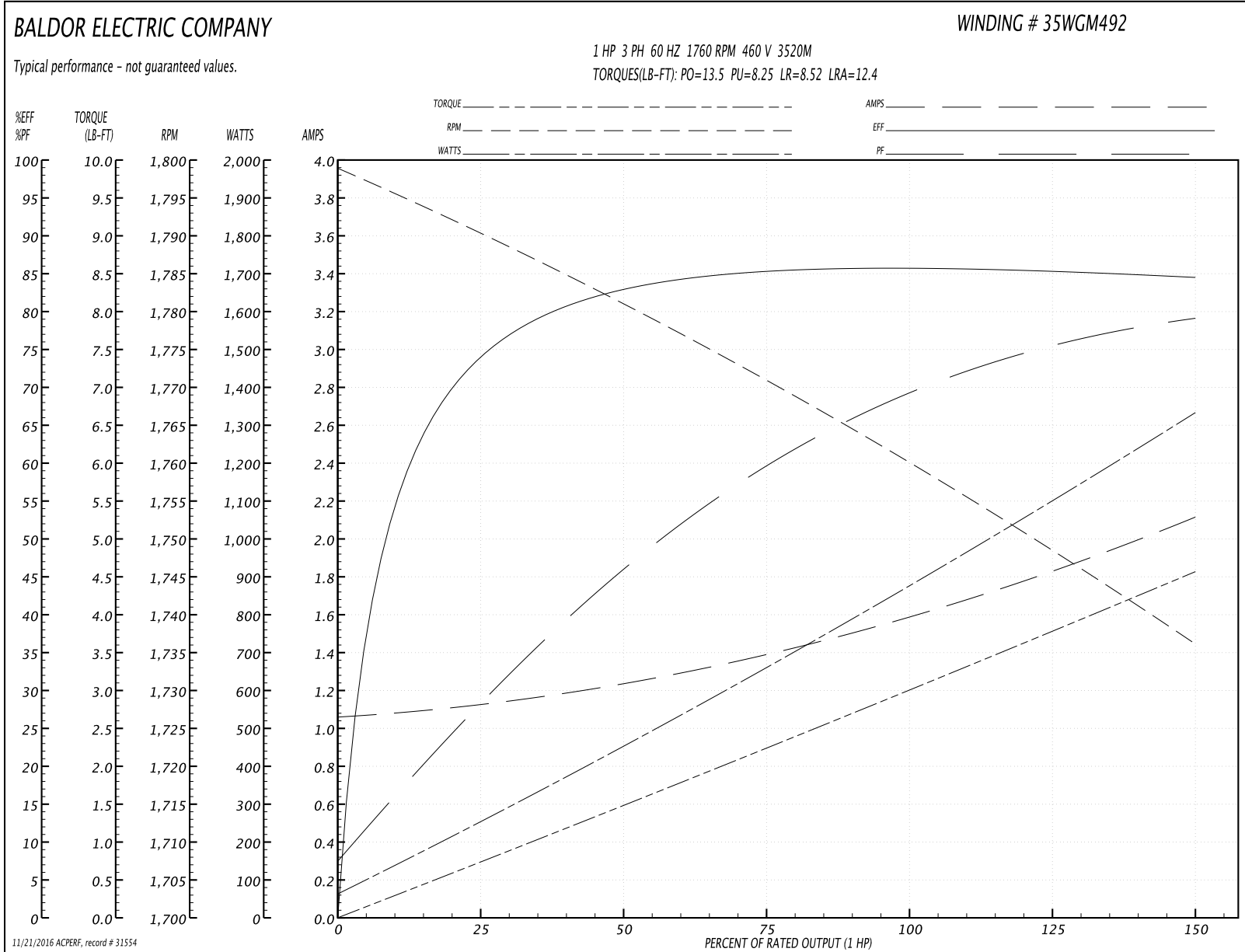
<b>Winding:</b> 35WGM492-R001	<b>Type:</b> 3520M	<b>Enclosure:</b> TEFC
-------------------------------	--------------------	------------------------

Nameplate Data				460 V, 60 Hz: High Voltage Connection	
Rated Output (HP)	1			Full Load Torque	2.99 LB-FT
Volts	208-230/460			Start Configuration	direct on line
Full Load Amps	3.1-3/1.5			Breakdown Torque	13.5 LB-FT
R.P.M.	1760			Pull-up Torque	8.25 LB-FT
Hz	60	Phase	3	Locked-rotor Torque	8.52 LB-FT
NEMA Design Code	B	KVA Code	L	Starting Current	12.4 A
Service Factor (S.F.)	1.15			No-load Current	1.07 A
NEMA Nom. Eff.	85.5	Power Factor	71	Line-line Res. @ 25°C	15 Ω
Rating - Duty	40C AMB-CONT			Temp. Rise @ Rated Load	36°C
S.F. Amps				Temp. Rise @ S.F. Load	42°C
				Locked-rotor Power Factor	53.8
				Rotor inertia	0.118 LB-FT <sup>2</sup>

Load Characteristics 460 V, 60 Hz, 1 HP

% of Rated Load	25	50	75	100	125	150	S.F.
Power Factor	29	46	60	69	75	79	75
Efficiency	74.2	82.9	85.4	85.8	85.4	84.5	85.4
Speed	1790	1781	1771	1760	1749	1736	1754
Line amperes	1.11	1.24	1.39	1.59	1.83	2.11	1.69

Performance Graph at 460V, 60Hz, 1.0HP Typical performance - Not guaranteed values



**AC Induction Motor Performance Data**

Record # 41551 - Typical performance - not guaranteed values

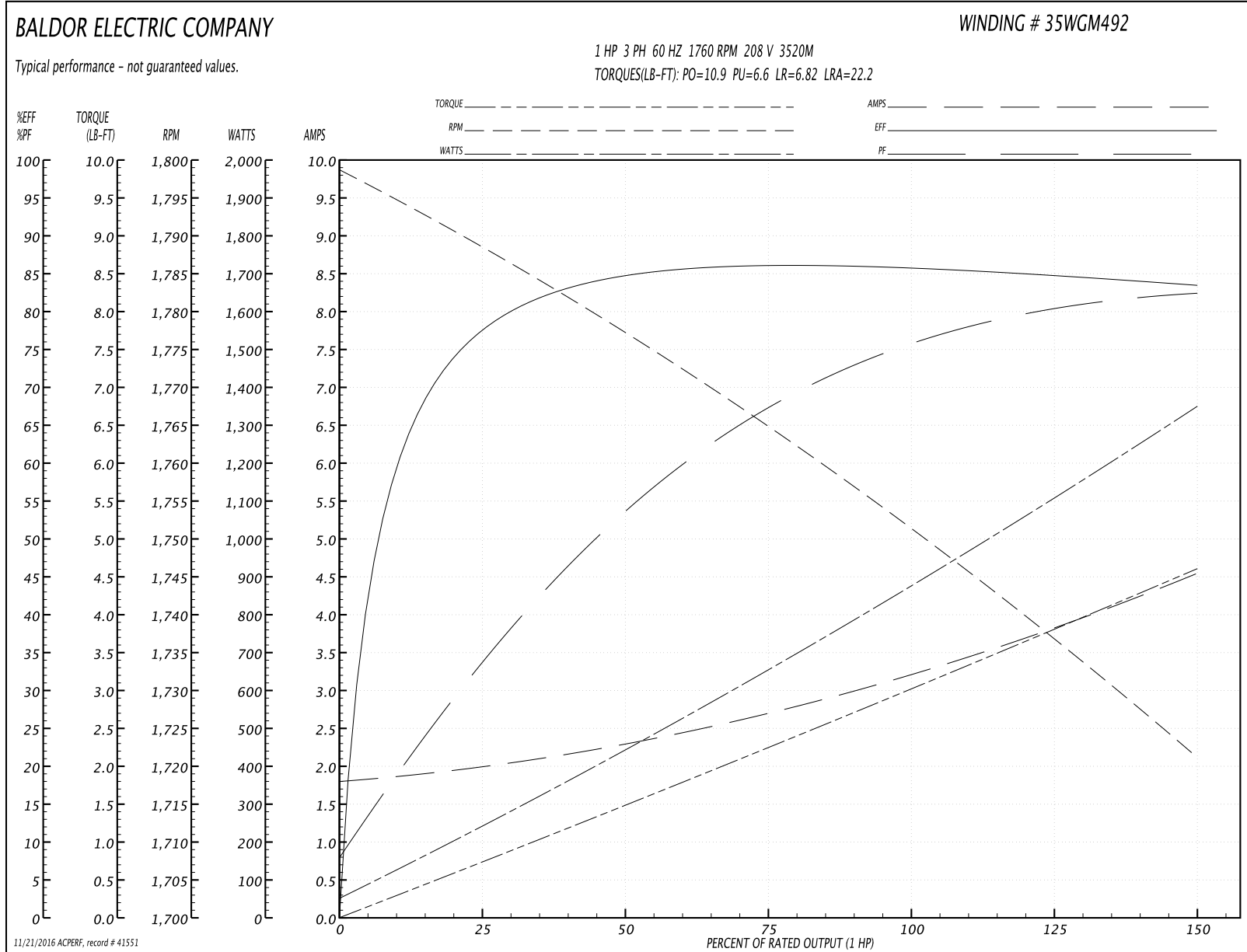
<b>Winding:</b> 35WGM492-R001	<b>Type:</b> 3520M	<b>Enclosure:</b> TEFC
-------------------------------	--------------------	------------------------

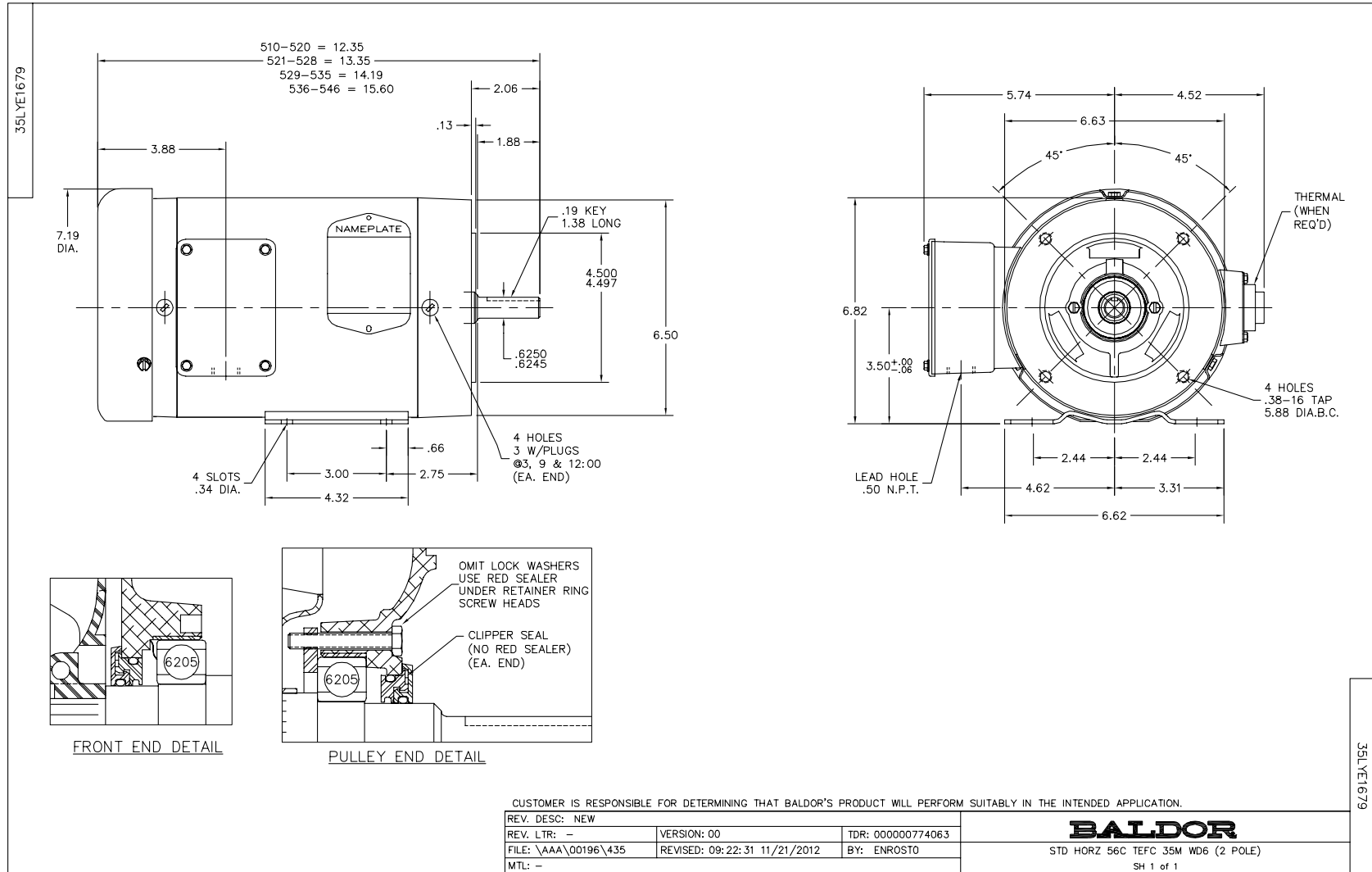
Nameplate Data				208 V, 60 Hz: Low Voltage Connection	
Rated Output (HP)	1			Full Load Torque	3 LB-FT
Volts	208-230/460			Start Configuration	direct on line
Full Load Amps	3.1-3/1.5			Breakdown Torque	10.9 LB-FT
R.P.M.	1760			Pull-up Torque	6.6 LB-FT
Hz	60	Phase	3	Locked-rotor Torque	6.82 LB-FT
NEMA Design Code	B	KVA Code	L	Starting Current	22.2 A
Service Factor (S.F.)	1.15			No-load Current	1.83 A
NEMA Nom. Eff.	85.5	Power Factor	71	Line-line Res. @ 25°C	3.75 Ω
Rating - Duty	40C AMB-CONT			Temp. Rise @ Rated Load	36°C
S.F. Amps				Temp. Rise @ S.F. Load	43°C
				Locked-rotor Power Factor	53.2
				Rotor inertia	0.118 LB-FT <sup>2</sup>

Load Characteristics 208 V, 60 Hz, 1 HP

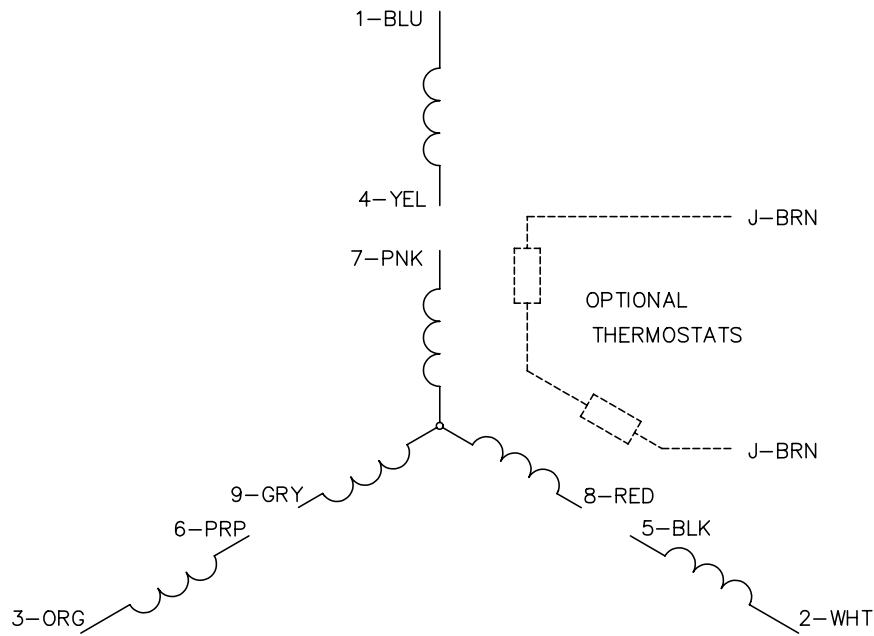
% of Rated Load	25	50	75	100	125	150	S.F.
Power Factor	35	54	67	75	80	83	79
Efficiency	77.7	84.7	86	85.8	84.9	83.4	85.2
Speed	1788	1777	1765	1752	1737	1721	1743
Line amperes	1.95	2.29	2.7	3.22	3.83	4.53	3.49

Performance Graph at 208V, 60Hz, 1.0HP Typical performance - Not guaranteed values

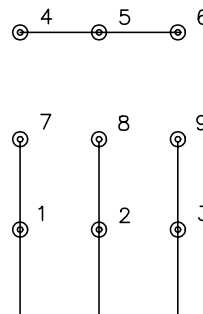




CD0005

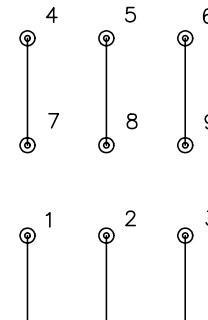


LOW VOLTAGE  
(2Y)



LINE

HIGH VOLTAGE  
(1Y)



LINE

NOTES:

1. INTERCHANGE ANY TWO LINE LEADS TO REVERSE ROTATION.
2. OPTIONAL THERMOSTATS ARE PROVIDED WHEN SPECIFIED.
3. ACTUAL NUMBER OF INTERNAL PARALLEL CIRCUITS MAY BE A MULTIPLE OF THOSE SHOWN ABOVE.
4. LEAD COLORS ARE OPTIONAL. LEADS MUST ALWAYS BE NUMBERED AS SHOWN.

REV. DESC: REVISE TO SHOW OPTIONAL COLORS

REV. LTR: E BY: JLP

REVISED: 01/19/99 10:15

TDR: 0171435

900003

FILE: AAA00005140

MDL: -

MTL: -

**BALDOR ELECTRIC Co.**

3PH, DV, 9 LEADS

CD0005