

# **BALDOR**® • ***RELIANCE***

## **Product Information Packet**

# **CSSEWDNM3610T**

**3HP,3500RPM,3PH,60HZ,182TC,3646M,TENV,F1**

Part Detail							
Revision:	C	Status:	PRD/A	Change #:		Proprietary:	No
Type:	AC	Prod. Type:	3646M	Elec. Spec:	36WGR690	CD Diagram:	CD0005
Enclosure:	TENV	Mfg Plant:		Mech. Spec:	36Q398	Layout:	36LYQ398
Frame:	182TC	Mounting:	F1	Poles:	02	Created Date:	07-16-2015
Base:	RG	Rotation:	R	Insulation:	H	Eff. Date:	08-31-2016
Leads:	9#16					Replaced By:	
Literature:		Elec. Diagram:					

Nameplate NP1953B01										
CAT.NO.	CSSEWDNM3610T									
SPEC.	36Q398R690G1									
HP	3									
VOLTS	230/460									
AMP	7/3.5									
RPM	3500									
FRAME	182TC					HZ			60	
SER.F.	1.15				CODE	P		DES	A	
NEMA-NOM-EFF	89.5					PF	92			
RATING	40C AMB-CONT									
CC	010A					USABLE AT 208V				
DE	6206				ODE	6206				
ENCL	TENV			SN						

Parts List		
Part Number	Description	Quantity
SA303995	SA 36Q398R690G1	1.000 EA
RA291154	RA 36Q398R690G1	1.000 EA
11XW1032G06	10-32 X .38, TAPTITE II, HEX WSHR SLTD U	1.000 EA
HW3001B01	BRASS CUP WASHER, FOR #8 SCREW	1.000 EA
36EP1912A06	FREP TENV 206 BRG NO GR SR WD10 (STAINLES	1.000 EA
HW4500A33	1/8 NPT STAINLESS,HOLO-KROME #13002,PRES	3.000 EA
HW5100A06	W2420-025 WVY WSHR (WB)	1.000 EA
36PE1913A03	PUEP 182-4TC ENCL 206 BRG (STAINLESS)	1.000 EA
RM1070A42	O-RING,(#70-7.239) VITON .070X7.239	1.000 EA
HW4600F25	AXIAL FACE SEAL AFX-30 304SS/V107 SS CAS	1.000 EA
HW4500A33	1/8 NPT STAINLESS,HOLO-KROME #13002,PRES	3.000 EA
RM1070A14	O-RING, -010 VITON, .250 ID, .070 C.S.	4.000 EA
36CB4517	LIPPED CB LID #304 STAINLESS - CLEANED	1.000 EA
37GS3010	1/16"WHITE LID GASKET	1.000 EA
59XN0832S07	8/32 X 7/16 HX WS HD SER X	4.000 EA
HW2502E16	#303 SS,SQ KEY 1/4 X 1.750	1.000 EA
HA7000A02	KEY RETAINER RING, 1 1/8 DIA, 1 3/8 DIA	1.000 EA
MJ5001A27	32220KN GRAY SEALER *MIN BUY 4 QTS=1GAL	0.005 QT
MJ5004A37	#76732 LOCTITE ANTISEIZE THRD COMPOUND	0.005 EA
HA5027A02	HA4054 T-DRAIN X2 BAGGED WITH LABEL	1.000 EA
HW3200S01	EYEBOLT 3/8-16 X3/4 S.S. TDR #35988	1.000 EA
MJ5001A02	732 CL SEALANT 3 OZ DIXIE BEARING 289100	0.005 EA
MJ5001A05	CHEM-CALK 915 WHITE #75 BOSTICK CONSTRU	0.005 EA
MJ1000A02	GREASE, POLYREX EM EXXON (USe 4824-15A)	0.050 LB

<b>Parts List (continued)</b>		
<b>Part Number</b>	<b>Description</b>	<b>Quantity</b>
WD5603A01	KIT, CLOSED-END LEAD SPLICE (18-14GA)	1.000 EA
HA3101S29	THRUBOLT- 1/4-20X13.00 SS	4.000 EA
36PA1001	PKG GRP, PRINT PK1017A06	1.000 EA
MN416A01	TAG-INSTAL-MAINT no wire (1200/bx) 11/14	1.000 EA
HA5027A07	85XU1208S08 FACE DRAIN PINS BAGGED	1.000 EA

**AC Induction Motor Performance Data**

Record # 51658 - Typical performance - not guaranteed values

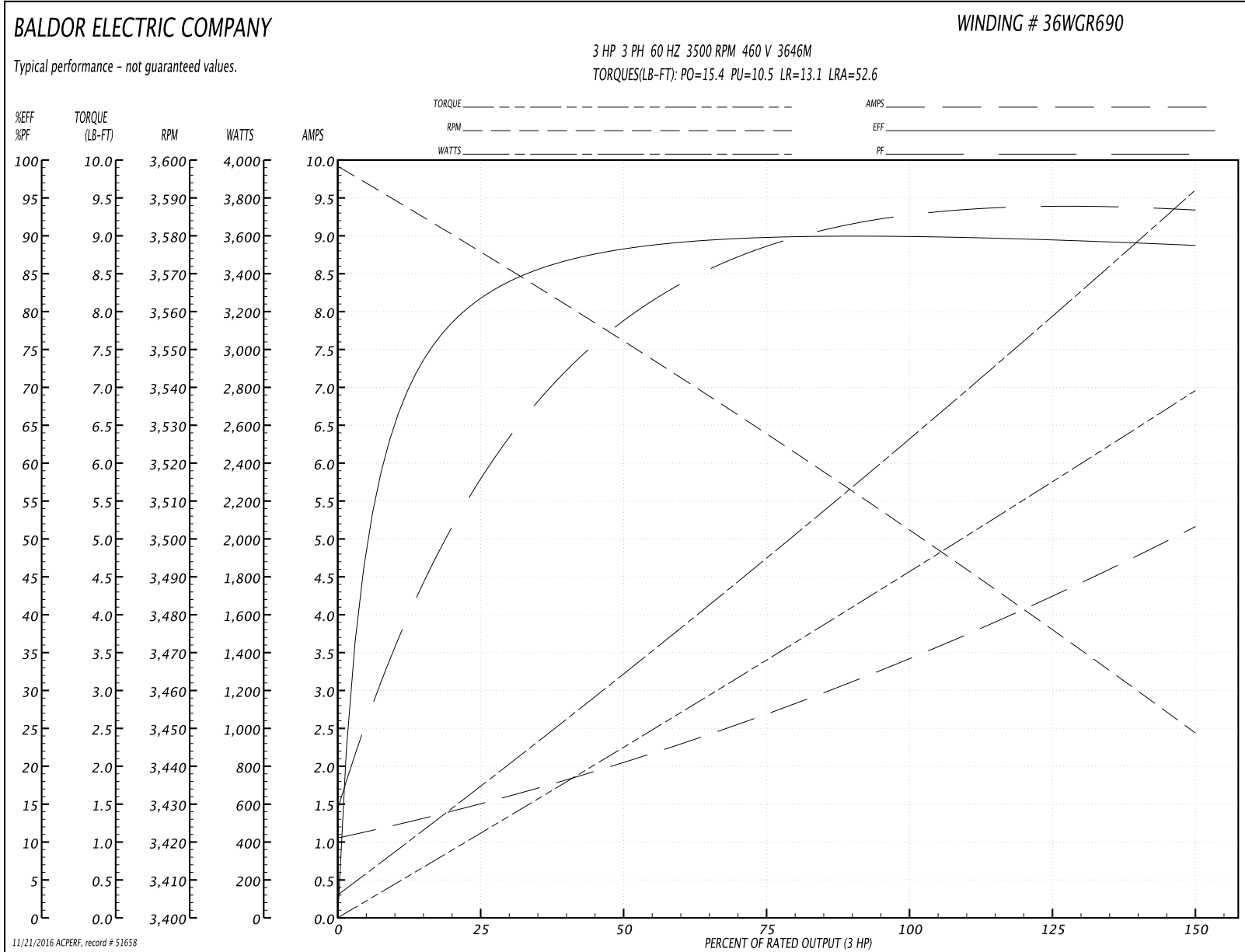
<b>Winding:</b> 36WGR690-R001	<b>Type:</b> 3646M	<b>Enclosure:</b> TENV
-------------------------------	--------------------	------------------------

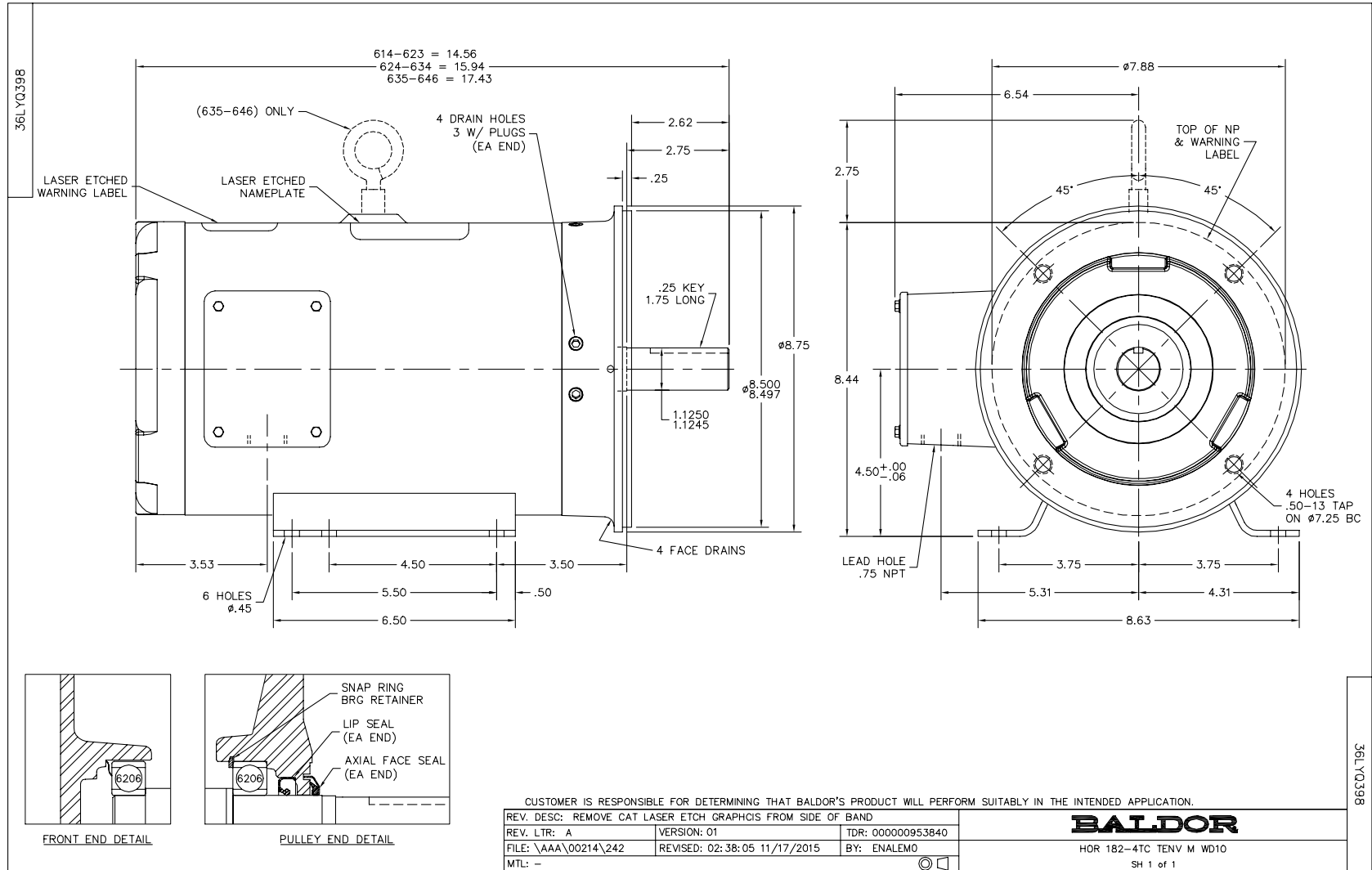
Nameplate Data				460 V, 60 Hz: High Voltage Connection	
Rated Output (HP)	3			Full Load Torque	4.58 LB-FT
Volts	230/460			Start Configuration	direct on line
Full Load Amps	7/3.5			Breakdown Torque	15.4 LB-FT
R.P.M.	3500			Pull-up Torque	10.5 LB-FT
Hz	60	Phase	3	Locked-rotor Torque	13.1 LB-FT
NEMA Design Code	A	KVA Code	P	Starting Current	52.6 A
Service Factor (S.F.)	1.15			No-load Current	1.11 A
NEMA Nom. Eff.	89.5	Power Factor	92	Line-line Res. @ 25°C	2.4343 Ω
Rating - Duty	40C AMB-CONT			Temp. Rise @ Rated Load	92°C
S.F. Amps				Temp. Rise @ S.F. Load	108°C

Load Characteristics 460 V, 60 Hz, 3 HP

% of Rated Load	25	50	75	100	125	150	S.F.
Power Factor	63	81	88	91	93	94	92
Efficiency	82.4	88.2	89.8	90	89.6	88.8	89.8
Speed	3573	3550.9	3527	3502.7	3476.5	3448.3	3487
Line amperes	1.47	2.04	2.73	3.47	4.28	5.12	3.96

Performance Graph at 460V, 60Hz, 3.0HP Typical performance - Not guaranteed values





CD0005



LOW VOLTAGE  
(2Y)



LINE

HIGH VOLTAGE  
(1Y)



LINE

NOTES:

1. INTERCHANGE ANY TWO LINE LEADS TO REVERSE ROTATION.
2. OPTIONAL THERMOSTATS ARE PROVIDED WHEN SPECIFIED.
3. ACTUAL NUMBER OF INTERNAL PARALLEL CIRCUITS MAY BE A MULTIPLE OF THOSE SHOWN ABOVE.
4. LEAD COLORS ARE OPTIONAL. LEADS MUST ALWAYS BE NUMBERED AS SHOWN.

REV. DESC: REVISE TO SHOW OPTIONAL COLORS

REV. LTR: E BY: JLP

REVISED: 01/19/99 10:15

TDR: 0171435

9000D

FILE: AAA00005140

MDL: -

MTL: -

**BALDOR ELECTRIC Co.**

3PH, DV, 9 LEADS

CD0005