

# **BALDOR**® • **RELIANCE**

## **Product Information Packet**

# **ECP4403TR-4**

**60HP, 1185RPM, 3PH, 60HZ, 404T, TEFC, F1**

Part Detail							
Revision:	F	Status:	PRD/A	Change #:		Proprietary:	No
Type:	AC	Prod. Type:	A40072M	Elec. Spec:	A40WG1790	CD Diagram:	416820-036
Enclosure:	TEFC	Mfg Plant:		Mech. Spec:		Layout:	617429-501
Frame:	404T	Mounting:	F1	Poles:	06	Created Date:	12-12-2013
Base:		Rotation:	R	Insulation:	F	Eff. Date:	09-07-2016
Leads:	3#4					Replaced By:	
Literature:		Elec. Diagram:					

Nameplate NP2496L	
MOBIL SHC -220 GREASE	

Nameplate NP3238									
CAT NO	ECP4403TR-4	SPEC NO.	A40-4862-1790						
HP	60	AMPS	67.3	VOLTS	460	DESIGN	B		
FRAME	404T	RPM	1185	HZ	60	AMB	40	SF	1.15
D.E. BRG.DATA	6316	O.D.E. BRG.DATA	6316	PH	3	DUTY	CONT	INSUL.CLASS	F
D.E. BRG.	80RU03M30X	TYPE	P	ENCL	TEFC	CODE	G	NEMA NOM EFFICIENCY	94.5
O.D.E. BRG.	80BC03J30X	POWER FACTOR	88	MAX CORR KVAR	9.60	GUARANTEED EFFICIENCY	93.6		
3/4 LOAD EFF.	94.9	TEMP CODE	T3	TEMP	= 200				
CHP HZ	60-90	CT HZ	10-60	VT HZ	0-60				
INVERTER-TEMP-CODE	T3								
SER.NO.		MOTOR WEIGHT	1375						

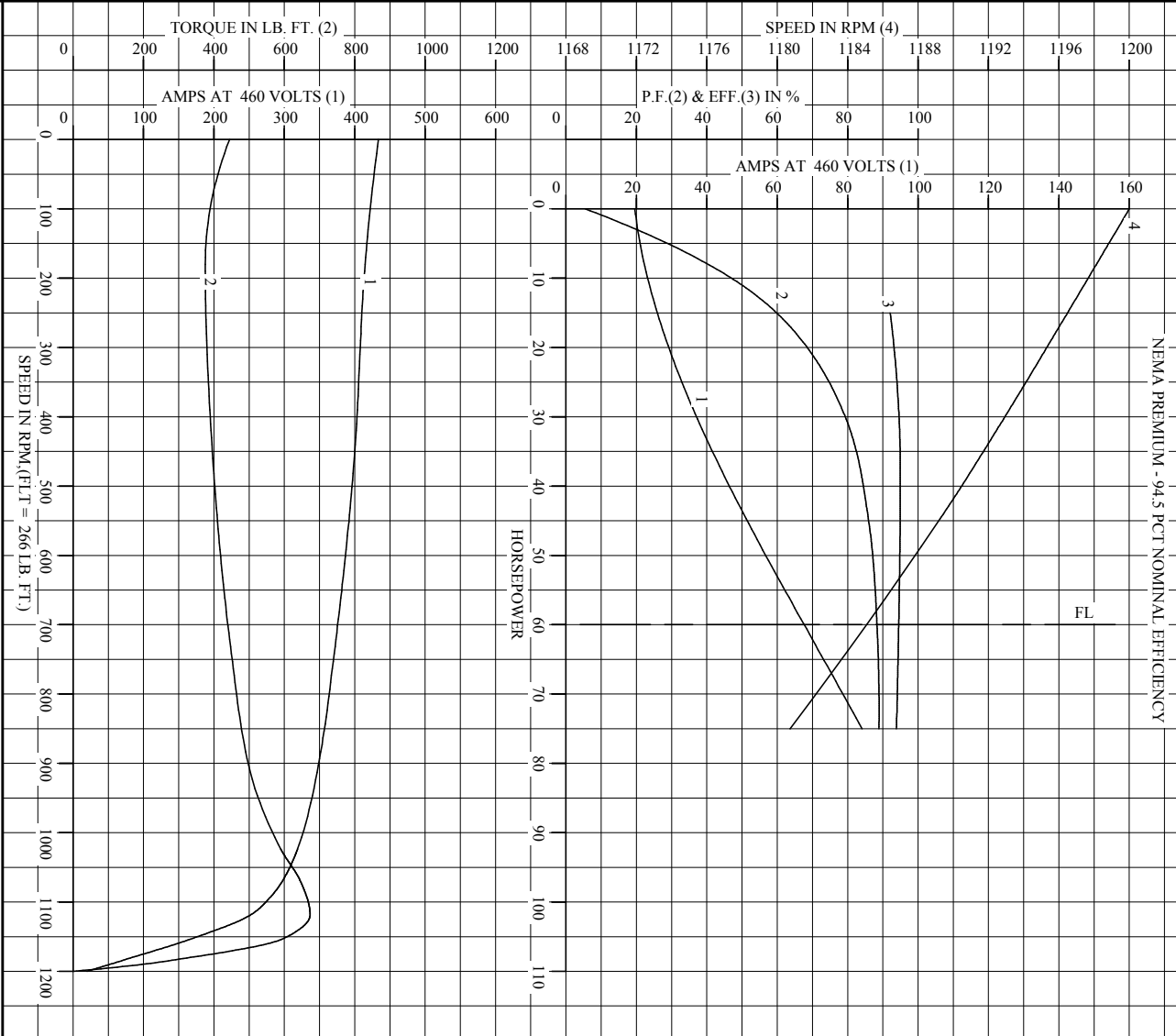
Parts List		
Part Number	Description	Quantity
SA273502	SA A40-4862-1790	1.000 EA
RA260098	RA A40-4862-1790	1.000 EA
421948051	LABEL, MYLAR	1.000 EA
000692000FF	N/P	1.000 EA
NP2496L	MOTOR LUBE NAMEPLATE	1.000 EA
000613006PU	N/P (RELEASE QTY 10,000) UL CSA LABEL	1.000 EA
000692000RT	N/P	1.000 EA
000692000VD	LABEL WARNING	1.000 EA
NP3238	SS CP XEX SEVERE DUTY MAIN NP	1.000 EA
089412501A	BRKT FTMT G400 FIN MACH 6316 89412500WCA	1.000 EA
415072001B	CLAMP	1.000 EA
083198101A	G400 STD FAN COVER MACHINING	1.000 EA
034180012DA	KEY 1X4X1/4X1-1/2 L	1.000 EA
412118006A	DRAIN	2.000 EA
078550001H	FAN KB 120/60 360	1.000 EA
004824015AP	GREASE MOBILITH SHC 220	0.880 LB
032018020EK	HHCS 5/8-11X2-1/2 PLTD.	4.000 EA
032018008CK	HHCS 3/8-16X1L PLATED	4.000 EA
032018026CK	HHCS 3/8-16X3-1/4 PLTD.	3.000 EA
415096002A	CPLG 1/8 HEX TYPE	1.000 EA
415045002B	SLGR	1.000 EA
047174001AS	EXT SNAP RING(400)	1.000 EA
034000014AB	WSH ID.406 OD.812 TH.065	4.000 EA
034530052AB	P/NIP 1/8X6-1/2 GALV.	1.000 EA

<b>Parts List (continued)</b>		
<b>Part Number</b>	<b>Description</b>	<b>Quantity</b>
034600001AA	BUSH 1/4TO1/8 BLACK	1.000 EA
034692005AA	P PLUG 3/4"BLK.	1.000 EA
034530056BB	P/NIP 1/4X7 SCHED 40	1.000 EA
035000001G	GREASE RELIEF FITTING, ALEMITE 317400	1.000 EA
034530040AB	P/NIP 1/8X5 GALV.	1.000 EA
034600001AA	BUSH 1/4TO1/8 BLACK	1.000 EA
089412501A	BRKT FTMT G400 FIN MACH 6316 89412500WCA	1.000 EA
032018020EK	HHCS 5/8-11X2-1/2 PLTD.	4.000 EA
032018026CK	HHCS 3/8-16X3-1/4 PLTD.	3.000 EA
415045002B	SLGR	1.000 EA
034530040BB	P/NIP 1/4X5	1.000 EA
035000001G	GREASE RELIEF FITTING, ALEMITE 317400	1.000 EA
415096002A	CPLG 1/8 HEX TYPE	1.000 EA
076708000BB	C/B - 360	1.000 EA
415039016A	TERBD, 360-400	1.000 EA
076709000A	C/B - 360	1.000 EA
067053000B	GASK 320-400	1.000 EA
418150003A	GREASE FITTING CAP	1.000 EA
032018010CK	HHCS 3/8-16X1-1/4 PLTD.	4.000 EA
035000001A	ALFTG 1/8" 1610-BL	1.000 EA
415000103H	TERMINAL LUG	1.000 EA
033512008LB	HHTTS 1/4-20X1 PLATED	4.000 EA
406099000A	PLUG - FAN COVER 320-440	1.000 EA
034000014AB	WSH ID.406 OD.812 TH.065	4.000 EA

Product Information Packet: ECP4403TR-4 - 60HP,1185RPM,3PH,60HZ,404T,TEFC,F1

035000001A	ALFTG 1/8" 1610-BL	1.000 EA
418150003A	GREASE FITTING CAP	1.000 EA
MG1025N19	WILKO 778.50 BLUE GREEN - 55 GAL DRUMS	0.380 GA
033775004EA	DRSCR #6-1/4 304 S.S.	4.000 EA
034180044JA	KEY 3/4X3/4X5-1/2 L	1.000 EA
604797045	STD. 400 FRAME SKID	1.000 EA
032510024D	CARRIAGE BOLT - 444	2.000 EA
034001016AB	WSHR .562ID 1.375OD .109	2.000 EA
034001014AB	FLAT WASHER 3/8"PLATED	2.000 EA
LB1449	DIV-2/NEC WARNING LABEL	1.000 EA
033300014AC	HEX NUT, SHIPPING - 400	2.000 EA
604797003C	SHIPPING BAG	1.000 EA
604797013R	447 FR. ROLLER BEARING MOTOR SHAFT	1.000 EA
032018024CK	HHCS 3/8-16X3 PLTD.	1.000 EA
415070001A	RUBBER MOUNT 3X3X1 THICK	1.000 EA
034001016AB	WSHR .562ID 1.375OD .109	1.000 EA
034001014AB	FLAT WASHER 3/8"PLATED	1.000 EA
032018005DL	1/2-13 X 5/8 SILICON BRONZE HHCS	1.000 EA

REL. S.O.	RPM 1185	S.F. 1.15	ROTOR 418142073DE
FRAME 404T	VOLTS 460	NEMA DESIGN B	TEST S.O. CALCULATED DATA
HP 60	AMPS 67.3	CODE LETTER G	TEST DATE ---
TYPE P	DUTY CONT	ENCLOSURE FCXE	STATOR RES. @ 25 °C .118
PHASE/HERTZ 3/60	AMB °C/INSUL 40/F	E/S 495024	OHMS (BETWEEN LINES)



AMPERES SHOWN FOR 460 VOLT CONNECTION, IF OTHER VOLTAGE CONNECTIONS ARE AVAILABLE, THE AMPERES WILL VARY INVERSELY WITH THE RATED VOLTAGE.

<b>BALDOR</b> A MEMBER OF THE ABB GROUP	DR. BY W. L. SMITH	<b>A-C MOTOR</b> PERFORMANCE CURVES A40W/G1790-R001 ISSUE DATE 08/25/10
	CK. BY J. HARRISON	
	APP. BY W. L. SMITH	
	DATE 08/25/10	

Printed on 8/21/12 16:08 @ ragsun


REL. S.O.	FRAME	HP	TYPE	PHASE/HERTZ	RPM	VOLTS
	404T	60	P	3/60	1185	460
AMPS	DUTY	AMB °C/ INSUL.	S.F.	NEMA DESIGN	CODE LETTER	ENCL.
67.3	CONT	40/F	1.15	B	G	FCXE
E/S	ROTOR	TEST S.O.	TEST DATE	STATOR RES. @25 °C (OHMS (BETWEEN LINES))		
495024	418142073DE	---	---	.118		

PERFORMANCE						
LOAD	HP	AMPERES	RPM	POWER FACTOR %	EFFICIENCY %	
NO LOAD	0	19.7	1200	5.46	0	
1/4	15.0	25.5	1196	59.9	92.1	
2/4	30.0	37.4	1193	79.3	94.6	
3/4	45.0	51.6	1189	86.0	94.9	
4/4	60.0	67.3	1185	88.3	94.5	
5/4	75.0	84.2	1181	88.9	93.9	

SPEED TORQUE						
	RPM	TORQUE % FULL LOAD	TORQUE LB.-FT.	AMPERES		
LOCKED ROTOR	0	167	444	434		
PULL UP	180	141	376	415		
BREAKDOWN	1119	253	673	252		
FULL LOAD	1185	100	266	67.3		

AMPERES SHOWN FOR 460. VOLT CONNECTION. IF OTHER VOLTAGE CONNECTIONS ARE AVAILABLE, THE AMPERES WILL VARY INVERSELY WITH THE RATED VOLTAGE

REMARKS: CALCULATED DATA  
NEMA PREMIUM - 94.5 PCT NOMINAL EFFICIENCY

 A MEMBER OF THE ABB GROUP	DR. BY W. L. SMITH CK. BY J. J. HARRISON APP. BY W. L. SMITH DATE 08/25/10	A-C MOTOR PERFORMANCE DATA A40WG1790-R001 ISSUE DATE 08/25/10
--	---	--

617429-501

## DUTY MASTER ALTERNATING CURRENT MOTORS

SQUIRREL-CAGE INDUCTION

ENCLOSURE: TOTALLY ENCLOSED

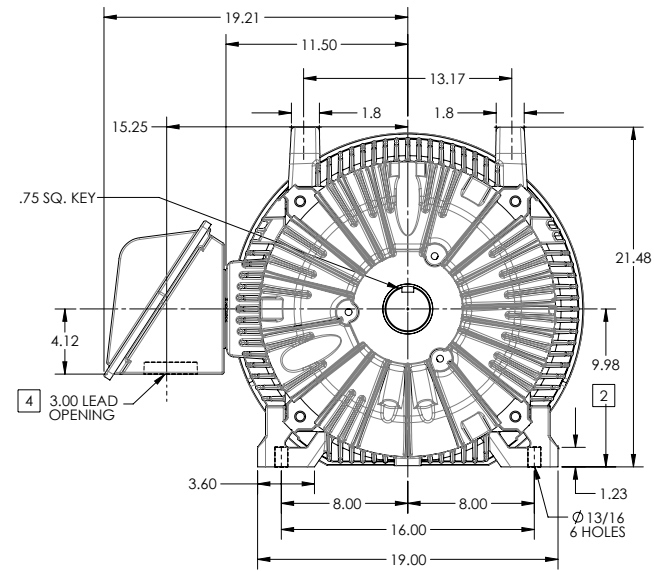
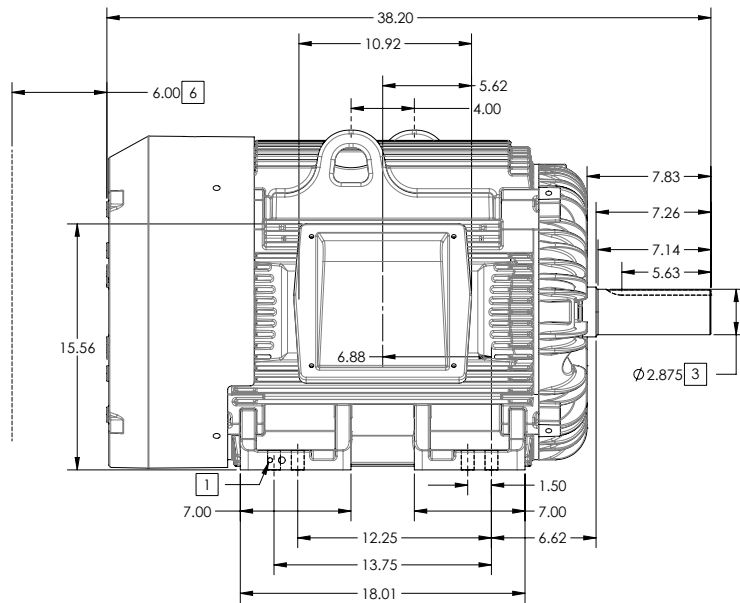
FRAME G405T ABOVE NEMA RATINGS

COOLING: FAN COOLED

MOUNTING: FOOT

INCLUDES 404T FRAME MOUNTING HOLES

XT/ECP SEVERE DUTY ENCLOSURE



1. GROUND HOLES QTY 1 1/2-13 TAP; QTY 1 3/8-16 TAP
2. VARIES +.00,-.06
3. VARIES +.00,-.001
4. ON STANDARD MOTORS THIS IS CONDUIT SIZE. ON XT AND CORROSION PROOF MOTOR THIS IS PIPE TAP.
5. MOTOR WEIGHTS MAY VARY BY 15% DEPENDING ON RATING.
6. OBSTRUCTION MUST NOT ENCROACH ON AIR INLET

[5] WEIGHT (LBS): 1370

CONDUIT BOX LOCATED ON OPPOSITE SIDE WHEN F-2.  
IF MOUNTING CLEARANCE DETAILS ARE REQUIRED, CONSULT FACTORY.  
MAXIMUM PERMISSIBLE SHAFT RUNOUT WHEN MEASURED AT END OF STANDARD SHAFT EXTENSION IS .003" T.I.R. TO 5 INCH DIA.

DIMENSIONS ARE IN INCHES; SEE SHEET 2 FOR DIMENSIONS IN MILLIMETERS

CUSTOMER IS RESPONSIBLE FOR DETERMINING THAT MOTOR PERFORMANCE IS SUITABLE IN THE APPLICATION.

SHEET NUMBER  
1 OF 2

105-627219

REV. DESC: CHANGE BA FROM 6.76 TO 6.62	TDR: 00000848770
REV: B VERSION: 02	REVISED: 01-11-16 04/14/2014
MODEL NO. 617429-501	REF:
BY: MGHMMZ	Material:

**BALDOR**

G405T/404T STD - FOOTED - XT/ECP SEVERE DUTY ENCLOSURE

617429-501

617429-501

## DUTY MASTER ALTERNATING CURRENT MOTORS

SQUIRREL-CAGE INDUCTION

ENCLOSURE: TOTALLY ENCLOSED

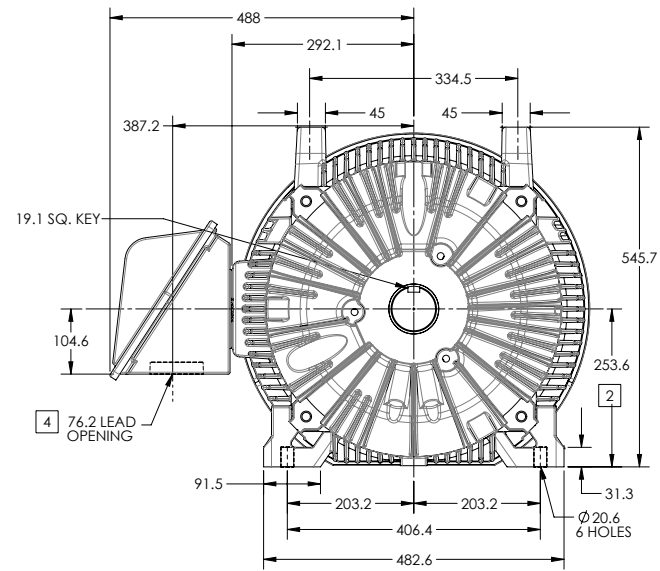
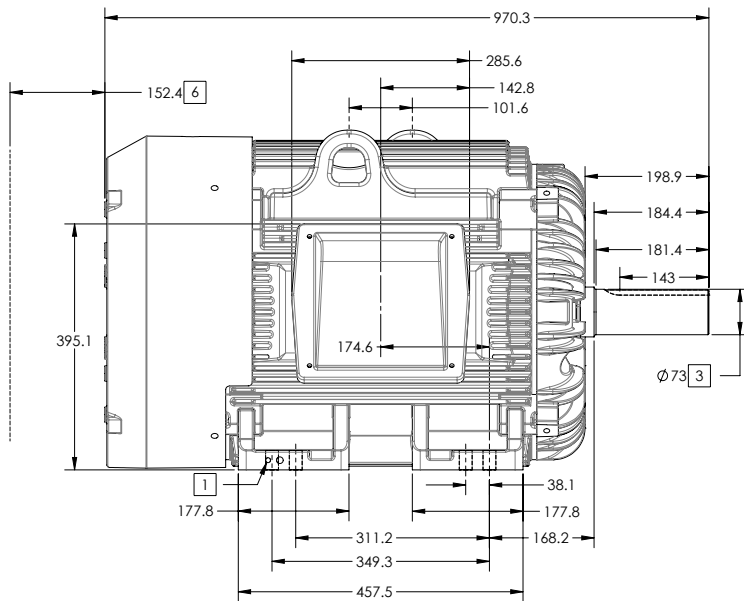
FRAME G405T ABOVE NEMA RATINGS

COOLING: FAN COOLED

MOUNTING: FOOT

INCLUDES 404T FRAME MOUNTING HOLES

XT/ECP SEVERE DUTY ENCLOSURE



1. GROUND HOLES QTY 1 1/2-13 TAP; QTY 1 3/8-16 TAP
2. VARIES +0,-1.5
3. VARIES +00,-.03
4. ON STANDARD MOTORS THIS IS CONDUIT SIZE. ON XT AND CORROSION PROOF MOTOR THIS IS PIPE TAP.
5. MOTOR WEIGHTS MAY VARY BY 15% DEPENDING ON RATING.
6. OBSTRUCTION MUST NOT ENCROACH ON AIR INLET

[5] WEIGHT (KGS): 630

CONDUIT BOX LOCATED ON OPPOSITE SIDE WHEN F-2.  
IF MOUNTING CLEARANCE DETAILS ARE REQUIRED, CONSULT FACTORY.  
MAXIMUM PERMISSIBLE SHAFT RUNOUT WHEN MEASURED AT END OF STANDARD SHAFT EXTENSION IS .08 MM T.I.R. TO 127 MM DIA.

DIMENSIONS ARE IN MILLIMETERS; SEE SHEET 1 FOR DIMENSIONS IN INCHES

CUSTOMER IS RESPONSIBLE FOR DETERMINING THAT MOTOR PERFORMANCE IS SUITABLE IN THE APPLICATION.

SHEET NUMBER  
2 OF 2

105-627219

REV. DESC: CHANGE BA FROM 6.76 TO 6.62	TDR: 00000848770
REV: B VERSION: 02 REVISED: 01-11-16 04/14/2014	REF:
MODEL NO. 617429-501	BY: MGHMMZ
Material:	

**BALDOR**

G405T/404T STD - FOOTED - XT/ECP SEVERE DUTY ENCLOSURE

617429-501

416820-036

A-C MOTOR  
 CONNECTION DIAGRAM  
 STANDARD 3 LEAD CONNECTED



(N.P. 1575-BA)

416820-036

REV. DESC: LOADED TO BUS, C/R 335225		
REV. LTR: -	VERSION: 00	TDR: 000000538207
FILE: \MGA\00000\682	REVISED: 11:54:06 04/30/2010	
MTL: -	BY: RAGRA	

**BALDOR**

CONN DIAG - STANDARD 3 LEAD

SH 1 of 1

Marketing maintained PDF of MN408:

<http://www.baldor.com/support/Literature/Load.ashx/MN408?ManNumber=MN408>

Marketing maintained PDF of MN416:

<http://www.baldor.com/support/Literature/Load.ashx/MN416?ManNumber=MN416>