

BALDOR® • ***RELIANCE***

Product Information Packet

ECP4404TR-4

75HP, 1185RPM, 3PH, 60HZ, 405T, TEFC, F1

Part Detail							
Revision:	F	Status:	PRD/A	Change #:		Proprietary:	No
Type:	AC	Prod. Type:	A4072M	Elec. Spec:	A40WG1239	CD Diagram:	416820-036
Enclosure:	TEFC	Mfg Plant:		Mech. Spec:		Layout:	617429-501
Frame:	405T	Mounting:	F1	Poles:	06	Created Date:	12-11-2013
Base:		Rotation:	R	Insulation:	F	Eff. Date:	09-07-2016
Leads:	3#4					Replaced By:	
Literature:		Elec. Diagram:					

Nameplate NP2496L	
MOBIL SHC -220 GREASE	

Nameplate NP3238									
CAT NO	ECP4404TR-4	SPEC NO.	A40-4853-1239						
HP	75	AMPS	86.5	VOLTS	460	DESIGN	B		
FRAME	405T	RPM	1185	HZ	60	AMB	40	SF	1.15
D.E. BRG.DATA	6316	O.D.E. BRG.DATA	6316	PH	3	DUTY	CONT	INSUL.CLASS	F
D.E. BRG.	80RU03M30X	TYPE	P	ENCL	TEFC	CODE	G	NEMA NOM EFFICIENCY	94.5
O.D.E. BRG.	80BC03J30X	POWER FACTOR	86	MAX CORR KVAR	15.0	GUARANTEED EFFICIENCY	93.6		
3/4 LOAD EFF.	94.8	TEMP	= 200						
TEMP CODE	T3	CT HZ	10-60	VT HZ	0-60				
CHP HZ	60-90								
INVERTER-TEMP-CODE	T3								
SER.NO.		MOTOR WEIGHT	1334						

Parts List		
Part Number	Description	Quantity
SA273378	SA A40-4853-1239	1.000 EA
RA259977	RA A40-4853-1239	1.000 EA
421948051	LABEL, MYLAR	1.000 EA
000692000FF	N/P	1.000 EA
NP2496L	MOTOR LUBE NAMEPLATE	1.000 EA
000613006PU	N/P (RELEASE QTY 10,000) UL CSA LABEL	1.000 EA
000692000RT	N/P	1.000 EA
000692000VD	LABEL WARNING	1.000 EA
NP3238	SS CP XEX SEVERE DUTY MAIN NP	1.000 EA
089412501A	BRKT FTMT G400 FIN MACH 6316 89412500WCA	1.000 EA
415072001B	CLAMP	1.000 EA
083198101A	G400 STD FAN COVER MACHINING	1.000 EA
034180012DA	KEY 1X4X1/4X1-1/2 L	1.000 EA
412118006A	DRAIN	2.000 EA
078550001H	FAN KB 120/60 360	1.000 EA
004824015AP	GREASE MOBILITH SHC 220	0.880 LB
032018020EK	HHCS 5/8-11X2-1/2 PLTD.	4.000 EA
032018008CK	HHCS 3/8-16X1L PLATED	4.000 EA
032018026CK	HHCS 3/8-16X3-1/4 PLTD.	3.000 EA
415096002A	CPLG 1/8 HEX TYPE	1.000 EA
415045002B	SLGR	1.000 EA
047174001AS	EXT SNAP RING(400)	1.000 EA
035000001G	GREASE RELIEF FITTING, ALEMITE 317400	1.000 EA
034000014AB	WSH ID.406 OD.812 TH.065	4.000 EA

Parts List (continued)		
Part Number	Description	Quantity
034530052AB	P/NIP 1/8X6-1/2 GALV.	1.000 EA
034530056BB	P/NIP 1/4X7 SCHED 40	1.000 EA
034600001AA	BUSH 1/4TO1/8 BLACK	1.000 EA
034692005AA	P PLUG 3/4"BLK.	1.000 EA
034600001AA	BUSH 1/4TO1/8 BLACK	1.000 EA
089412501A	BRKT FTMT G400 FIN MACH 6316 89412500WCA	1.000 EA
032018020EK	HHCS 5/8-11X2-1/2 PLTD.	4.000 EA
032018026CK	HHCS 3/8-16X3-1/4 PLTD.	3.000 EA
415045002B	SLGR	1.000 EA
034530040BB	P/NIP 1/4X5	1.000 EA
034530040AB	P/NIP 1/8X5 GALV.	1.000 EA
415096002A	CPLG 1/8 HEX TYPE	1.000 EA
035000001G	GREASE RELIEF FITTING, ALEMITE 317400	1.000 EA
076708000BB	C/B - 360	1.000 EA
415039016A	TERBD, 360-400	1.000 EA
076709000A	C/B - 360	1.000 EA
067053000B	GASK 320-400	1.000 EA
418150003A	GREASE FITTING CAP	1.000 EA
032018010CK	HHCS 3/8-16X1-1/4 PLTD.	4.000 EA
035000001A	ALFTG 1/8" 1610-BL	1.000 EA
415000103H	TERMINAL LUG	1.000 EA
033512008LB	HHTTS 1/4-20X1 PLATED	4.000 EA
406099000A	PLUG - FAN COVER 320-440	1.000 EA
034000014AB	WSH ID.406 OD.812 TH.065	4.000 EA

Product Information Packet: ECP4404TR-4 - 75HP,1185RPM,3PH,60HZ,405T,TEFC,F1

035000001A	ALFTG 1/8" 1610-BL	1.000 EA
418150003A	GREASE FITTING CAP	1.000 EA
MG1025N19	WILKO 778.50 BLUE GREEN - 55 GAL DRUMS	0.380 GA
033775004EA	DRSCR #6-1/4 304 S.S.	4.000 EA
034180044JA	KEY 3/4X3/4X5-1/2 L	1.000 EA
604797045	STD. 400 FRAME SKID	1.000 EA
032510024D	CARRIAGE BOLT - 444	2.000 EA
034001016AB	WSHR .562ID 1.375OD .109	2.000 EA
034001014AB	FLAT WASHER 3/8"PLATED	2.000 EA
LB1449	DIV-2/NEC WARNING LABEL	1.000 EA
033300014AC	HEX NUT, SHIPPING - 400	2.000 EA
604797003C	SHIPPING BAG	1.000 EA
604797013R	447 FR. ROLLER BEARING MOTOR SHAFT	1.000 EA
032018024CK	HHCS 3/8-16X3 PLTD.	1.000 EA
415070001A	RUBBER MOUNT 3X3X1 THICK	1.000 EA
034001016AB	WSHR .562ID 1.375OD .109	1.000 EA
034001014AB	FLAT WASHER 3/8"PLATED	1.000 EA
032018005DL	1/2-13 X 5/8 SILICON BRONZE HHCS	1.000 EA

REL. S.O.	FRAME	HP	TYPE	PHASE/ HERTZ	RPM	VOLTS
	405T	75	P	3/60	1185	460
AMPS	DUTY	AMB °C/ INSUL.	S.F.	NEMA DESIGN	CODE LETTER	ENCL.
86.5	CONT	40/F	1.15	B	G	FCXE
E/S	ROTOR	TEST S.O.	TEST DATE	STATOR RES. @25 °C OHMS (BETWEEN LINES)		
-	418142073FE	---	---	.0899		

PERFORMANCE

LOAD	HP	AMPERES	RPM	POWER FACTOR %	EFFICIENCY %
NO LOAD	0	25.9	1200	5.51	0
1/4	18.8	33.3	1197	57.6	91.7
2/4	37.5	48.0	1194	77.5	94.4
3/4	56.2	66.2	1190	83.8	94.8
4/4	75.0	86.5	1186	86.0	94.5
5/4	93.8	108	1182	86.9	93.8
SPEED TORQUE					
		RPM	TORQUE % FULL LOAD	TORQUE LB.-FT.	AMPERES
LOCKED ROTOR		0	168	557	542
PULL UP		240	157	520	515
BREAKDOWN		1134	246	818	291
FULL LOAD		1186	100	332	86.5

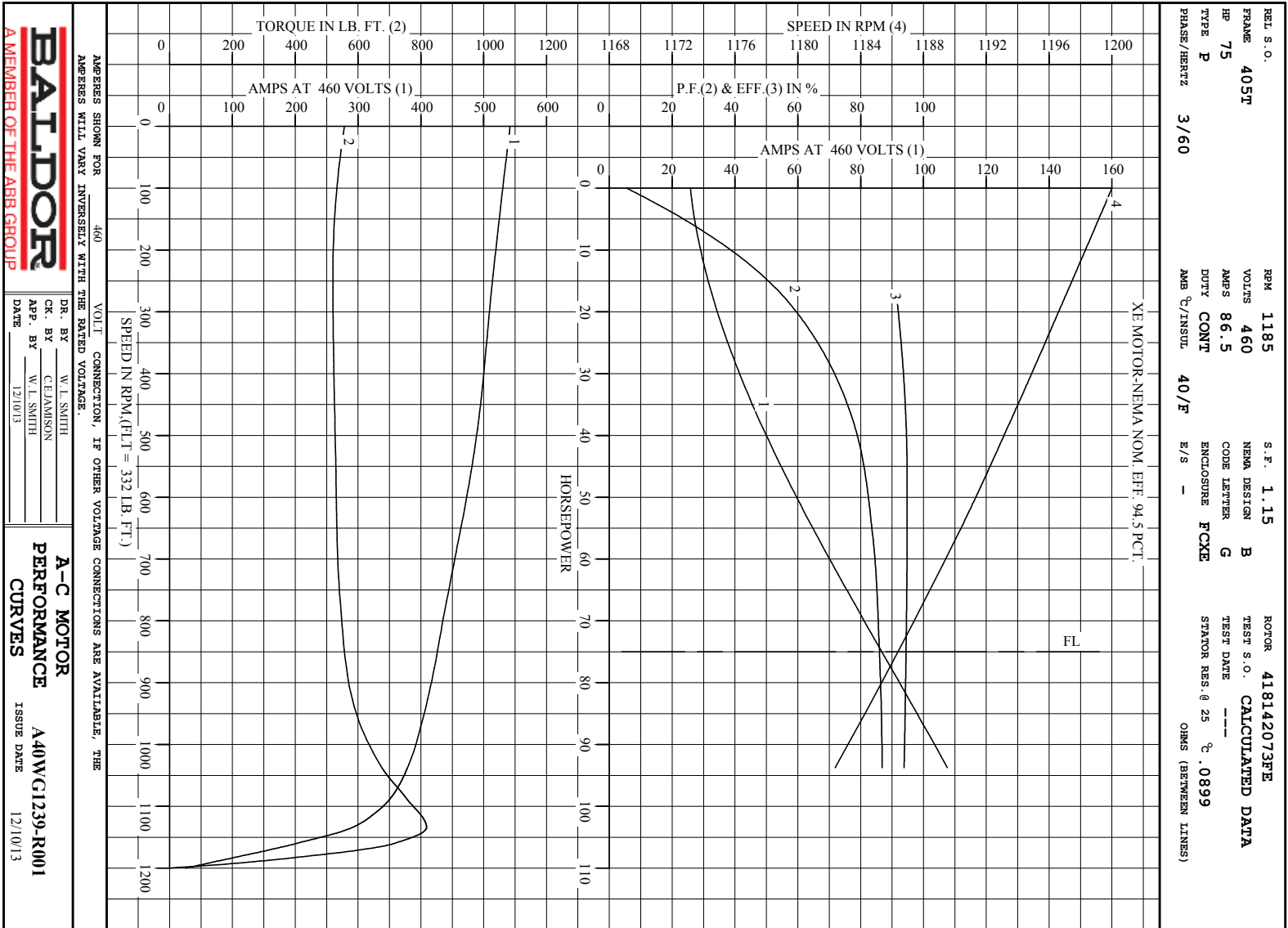
AMPERES SHOWN FOR 460. VOLT CONNECTION. IF OTHER VOLTAGE CONNECTIONS ARE AVAILABLE, THE AMPERES WILL VARY INVERSELY WITH THE RATED VOLTAGE

REMARKS : CALCULATED DATA
 XE MOTOR-NEMA NOM. EFF. 94.5 PCT.



DR. BY W. L. SMITH
 CR. BY C.E. JAMISON
 APP. BY W. L. SMITH
 DATE 12/10/13

A-C MOTOR PERFORMANCE DATA
 A40WG1239-R001
 ISSUE DATE 12/10/13



AMPERES SHOWN FOR 460 VOLTS
 AMPERES WILL VARY INVERSELY WITH THE RATED VOLTAGE.

VOLT CONNECTION, IF OTHER VOLTAGE CONNECTIONS ARE AVAILABLE, THE

DR. BY W. L. SMITH
 CK. BY C. E. JAMISON
 APP. BY W. L. SMITH
 DATE 12/10/13

A-C MOTOR PERFORMANCE CURVES
 A40WC1239-R001
 ISSUE DATE 12/10/13

Printed on 12/10/13 16:31 @ ragsun

617429-501

DUTY MASTER ALTERNATING CURRENT MOTORS

SQUIRREL-CAGE INDUCTION

ENCLOSURE: TOTALLY ENCLOSED

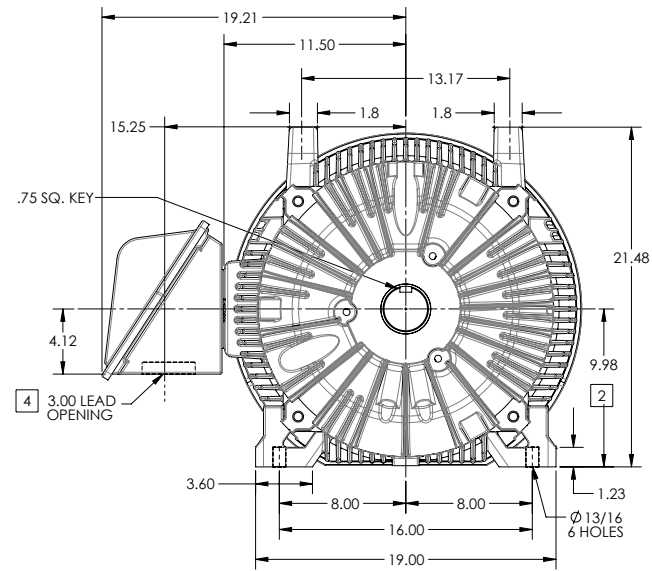
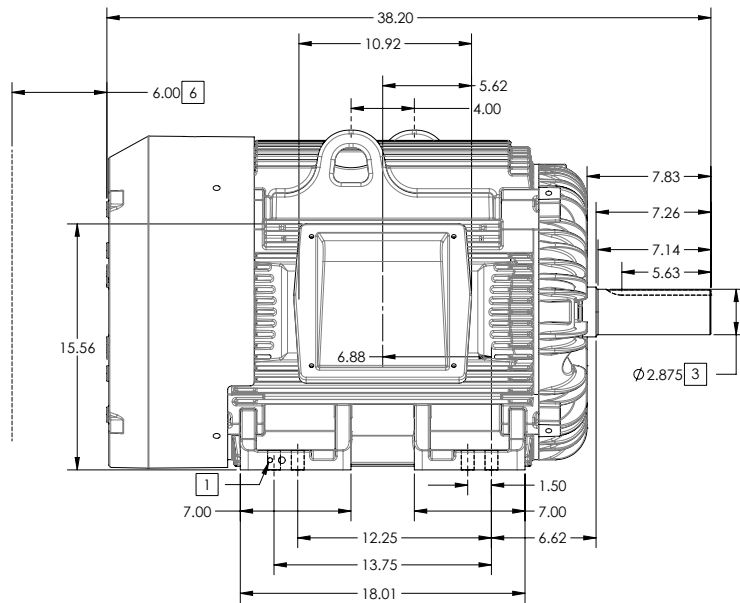
FRAME G405T ABOVE NEMA RATINGS

COOLING: FAN COOLED

MOUNTING: FOOT

INCLUDES 404T FRAME MOUNTING HOLES

XT/ECP SEVERE DUTY ENCLOSURE



1. GROUND HOLES QTY 1 1/2-13 TAP; QTY 1 3/8-16 TAP
2. VARIES +.00,-.06
3. VARIES +.00,-.001
4. ON STANDARD MOTORS THIS IS CONDUIT SIZE. ON XT AND CORROSION PROOF MOTOR THIS IS PIPE TAP.
5. MOTOR WEIGHTS MAY VARY BY 15% DEPENDING ON RATING.
6. OBSTRUCTION MUST NOT ENCROACH ON AIR INLET

[5] WEIGHT (LBS): 1370

CONDUIT BOX LOCATED ON OPPOSITE SIDE WHEN F-2.
IF MOUNTING CLEARANCE DETAILS ARE REQUIRED, CONSULT FACTORY.
MAXIMUM PERMISSIBLE SHAFT RUNOUT WHEN MEASURED AT END OF STANDARD SHAFT EXTENSION IS .003" T.I.R. TO 5 INCH DIA.

DIMENSIONS ARE IN INCHES; SEE SHEET 2 FOR DIMENSIONS IN MILLIMETERS

CUSTOMER IS RESPONSIBLE FOR DETERMINING THAT MOTOR PERFORMANCE IS SUITABLE IN THE APPLICATION.

SHEET NUMBER
1 OF 2

105-627219

REV. DESC: CHANGE BA FROM 6.76 TO 6.62			
REV: B	VERSION: 02	REVISED: 01-11-16 04/14/2014	TDR: 00000848770
MODEL NO. 617429-501	REF:		
BY: MGHM22	Material:		

BALDOR

G405T/404T STD - FOOTED - XT/ECP SEVERE DUTY ENCLOSURE

617429-501

617429-501

DUTY MASTER ALTERNATING CURRENT MOTORS

SQUIRREL-CAGE INDUCTION

ENCLOSURE: TOTALLY ENCLOSED

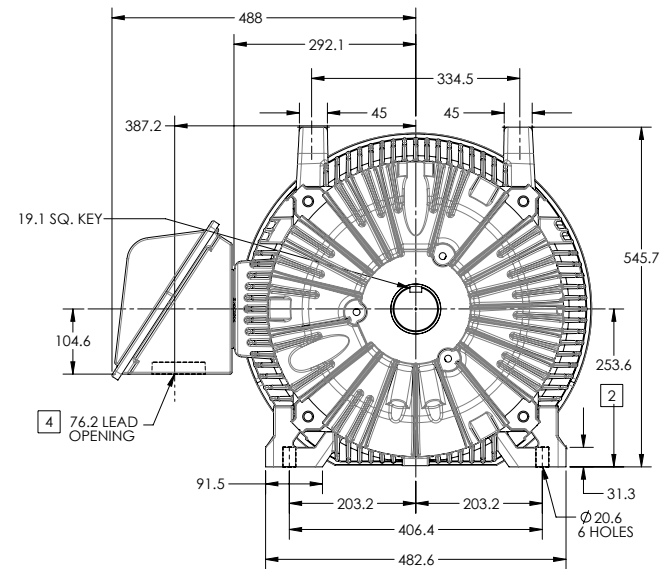
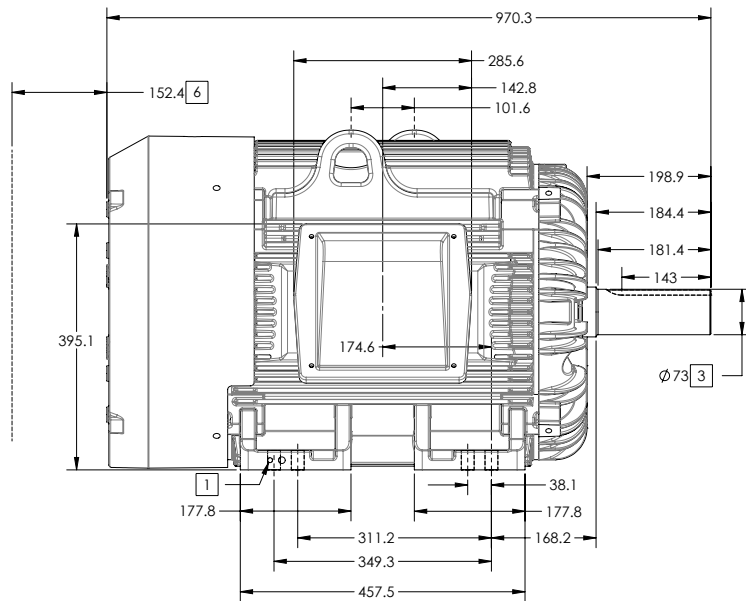
FRAME G405T ABOVE NEMA RATINGS

COOLING: FAN COOLED

MOUNTING: FOOT

INCLUDES 404T FRAME MOUNTING HOLES

XT/ECP SEVERE DUTY ENCLOSURE



1. GROUND HOLES QTY 1 1/2-13 TAP; QTY 1 3/8-16 TAP
2. VARIES +0,-1.5
3. VARIES +00,-.03
4. ON STANDARD MOTORS THIS IS CONDUIT SIZE. ON XT AND CORROSION PROOF MOTOR THIS IS PIPE TAP.
5. MOTOR WEIGHTS MAY VARY BY 15% DEPENDING ON RATING.
6. OBSTRUCTION MUST NOT ENCROACH ON AIR INLET

[5] WEIGHT (KGS): 630

CONDUIT BOX LOCATED ON OPPOSITE SIDE WHEN F-2.
IF MOUNTING CLEARANCE DETAILS ARE REQUIRED, CONSULT FACTORY.
MAXIMUM PERMISSIBLE SHAFT RUNOUT WHEN MEASURED AT END OF STANDARD SHAFT EXTENSION IS .08 MM T.I.R. TO 127 MM DIA.

DIMENSIONS ARE IN MILLIMETERS; SEE SHEET 1 FOR DIMENSIONS IN INCHES

CUSTOMER IS RESPONSIBLE FOR DETERMINING THAT MOTOR PERFORMANCE IS SUITABLE IN THE APPLICATION.

SHEET NUMBER
2 OF 2

105-627219

REV. DESC: CHANGE BA FROM 6.76 TO 6.62	TDR: 00000848770
REV: B VERSION: 02	REVISED: 01-11-16 04/14/2014
MODEL NO. 617429-501	REF:
BY: MGHMMZ2	Material:

BALDOR

G405T/404T STD - FOOTED - XT/ECP SEVERE DUTY ENCLOSURE

617429-501

416820-036

A-C MOTOR
 CONNECTION DIAGRAM
 STANDARD 3 LEAD CONNECTED



(N.P. 1575-BA)

416820-036

REV. DESC: LOADED TO BUS, C/R 335225		
REV. LTR: -	VERSION: 00	TDR: 000000538207
FILE: \MGA\00000\682	REVISED: 11:54:06 04/30/2010	
MTL: -	BY: RAGRA	

BALDOR

CONN DIAG - STANDARD 3 LEAD

SH 1 of 1

Marketing maintained PDF of MN408:

<http://www.baldor.com/support/Literature/Load.ashx/MN408?ManNumber=MN408>

Marketing maintained PDF of MN416:

<http://www.baldor.com/support/Literature/Load.ashx/MN416?ManNumber=MN416>