

# **BALDOR**® • *RELIANCE*

## **Product Information Packet**

# **EL11203**

**.25HP,1725RPM,1PH,60HZ,48,3411LC,OPEN,F1**

Part Detail							
Revision:	E	Status:	PRD/A	Change #:		Proprietary:	No
Type:	AC	Prod. Type:	3411LC	Elec. Spec:	34WGR064	CD Diagram:	CD0055
Enclosure:	OPEN	Mfg Plant:		Mech. Spec:	34F351	Layout:	34LYF351
Frame:	48	Mounting:	F1	Poles:	04	Created Date:	02-21-2014
Base:	RG	Rotation:	R	Insulation:	F	Eff. Date:	11-06-2015
Leads:	6#18					Replaced By:	
Literature:		Elec. Diagram:					

Nameplate NP3155L													
CAT.NO.	EL11203												
SPEC.	34F351R064G1												
HP	.25												
VOLTS	115/230												
AMP	2.6/1.3												
RPM	1725												
FRAME	48					HZ	60			PH	1		
SER.F.	1.35					CODE	L		DES	-		CL	F
F.L. AVG. EFF.	68.5					PF	89						
RATING	40C AMB-CONT												
CC												USABLE AT 208V	
DE	6203					ODE	6203						
ENCL	OPEN					SN							
	SFA 3.4/1.7												

Parts List		
Part Number	Description	Quantity
SA276898	SA 34F351R064G1	1.000 EA
RA263456	RA 34F351R064G1	1.000 EA
OC3020F12	CYL OIL CAP 20MFD/370V	1.000 EA
EC1161A02	BMI 091A161B125AD2A ELEC CAP 115V 1.4 X	1.000 EA
NS2512A01	INSULATOR, CONDUIT BOX X	1.000 EA
34CB3002A	CB CAST W/.88 DIA HOLE	1.000 EA
51XB1016A07	10-16 X 7/16 HXWSSLD SERTYB	2.000 EA
11XW1032G06	10-32 X .38, TAPTITE II, HEX WSHR SLTD U	1.000 EA
51XW0832A07	8-32 X .44, TAPTITE II, HEX WSHR SLTD SE	2.000 EA
SP1006A01	TERM. BOARD, MODE 35 SW X H-23655	1.000 EA
34EP3210A01SP	FR ENDPLATE, MACH	1.000 EA
34GS5003A01	FOAM SLEEVE, ID = 2 1/16" X 4 3/8"	2.000 EA
34CB3801	CAPACITOR BOX, DIE CAST	1.000 EA
51XB1214A08	12-14 X 1/2HX WS SL SR TYBX	2.000 EA
HW5100A03SP	WAVY WASHER (W1543-017)	1.000 EA
34EP3212A02	PU ENDPLATE, MODEL 34 OPEN	1.000 EA
XY1032A02	10-32 HEX NUT DIRECTIONAL SERRATION	4.000 EA
34CB4517	CB LID 4 MTG HOLES .22 DIA STAMPED, FOR	1.000 EA
51XW0832A07	8-32 X .44, TAPTITE II, HEX WSHR SLTD SE	4.000 EA
MG1000Y03	MUNSELL 2.53Y 6.70/ 4.60, GLOSS 20,	0.014 GA
10XF0440S02	04-40 X 1/8 TYPE F HEX HD STAINLESS STIC	2.000 EA
HA3100A44	THRUBOLT 10-32 X 8.000	4.000 EA
SP5051B17	MDL 34 TORQ STAT SW,TYPE LC, STD F1 & F2	1.000 EA
MN416A01	TAG-INSTAL-MAINT no wire (1000/bx) 11/14	1.000 EA

<b>Parts List (continued)</b>		
<b>Part Number</b>	<b>Description</b>	<b>Quantity</b>
LC0001A01	CONN LABEL / WARNING LABEL (LC0001 / LB1	1.000 EA
NP3155L	ALUM SUPER-E UL CSA CC "SEMS"	1.000 EA
35PA1000	PKG GRP, PRINT PK1008A06	1.000 EA

**AC Induction Motor Performance Data**

Record # 47364 - Typical performance - not guaranteed values

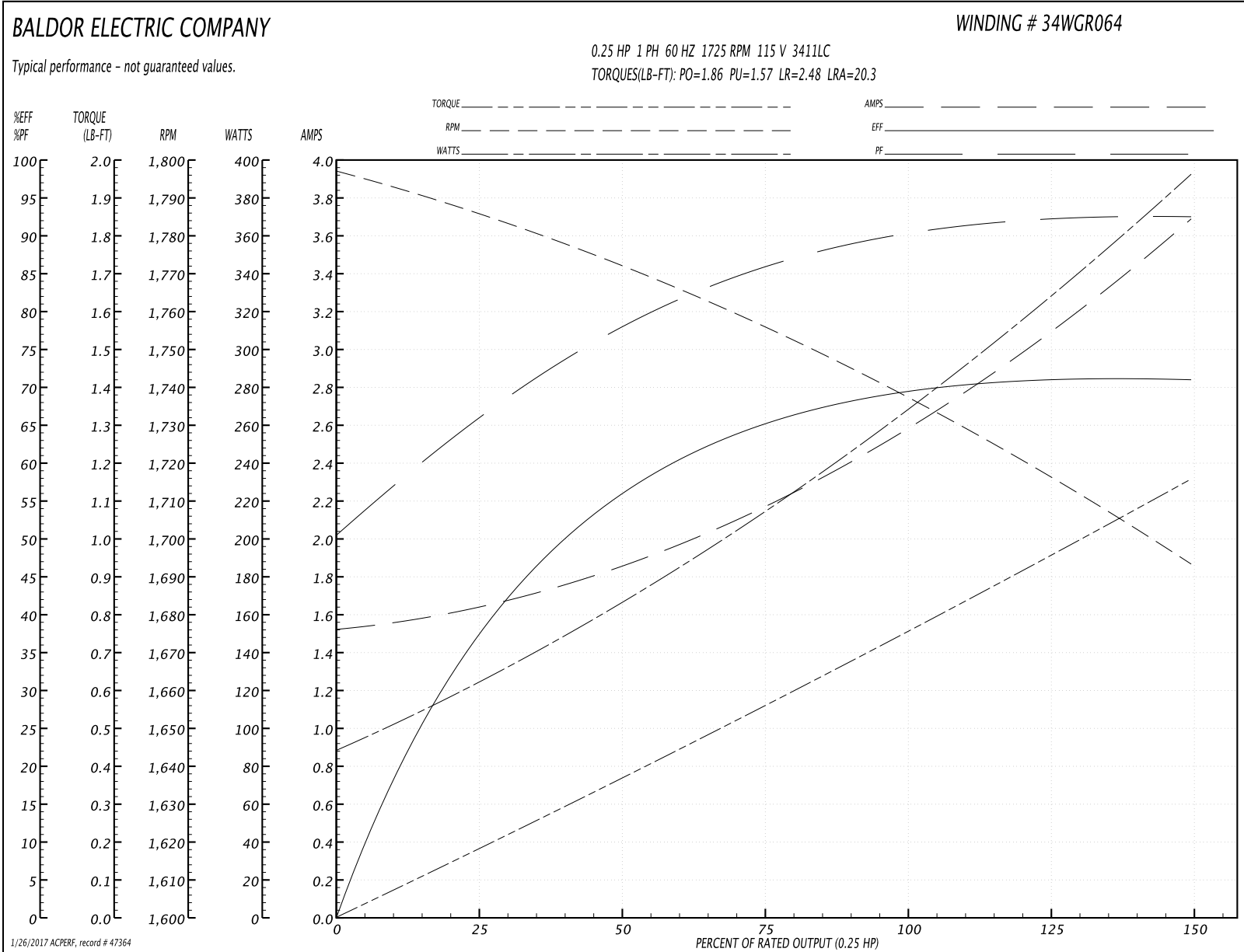
<b>Winding:</b> 34WGR064-R001	<b>Type:</b> 3411LC	<b>Enclosure:</b> OPEN
-------------------------------	---------------------	------------------------

Nameplate Data				115 V, 60 Hz: Low Voltage Connection	
Rated Output (HP)	.25			Full Load Torque	0.754 LB-FT
Volts	115/230			Start Configuration	direct on line
Full Load Amps	2.6/1.3			Breakdown Torque	1.86 LB-FT
R.P.M.	1725			Pull-up Torque	1.57 LB-FT
Hz	60	Phase	1	Locked-rotor Torque	2.48 LB-FT
NEMA Design Code	-	KVA Code	L	Starting Current	20.3 A
Service Factor (S.F.)	1.35			No-load Current	1.53 A
NEMA Nom. Eff.	68.5	Power Factor	89	Line-line Res. @ 25°C	3.4881 Ω A Ph 6.3165 Ω B Ph
Rating - Duty	40C AMB-CONT			Temp. Rise @ Rated Load	27°C
S.F. Amps	3.7/1.7			Temp. Rise @ S.F. Load	34°C

Load Characteristics 115 V, 60 Hz, 0.25 HP

% of Rated Load	25	50	75	100	125	150	S.F.
Power Factor	67	79	85	90	92	94	93
Efficiency	37.2	55.5	65.1	69.7	71.4	71.1	71.3
Speed	1783.6	1770.8	1755.8	1739.1	1717.7	1691.5	1707
Line amperes	1.63	1.85	2.18	2.59	3.1	3.69	3.34

Performance Graph at 115V, 60Hz, 0.25HP Typical performance - Not guaranteed values



1/26/2017 ACPERF, record # 47364

**AC Induction Motor Performance Data**

Record # 49831 - Typical performance - not guaranteed values

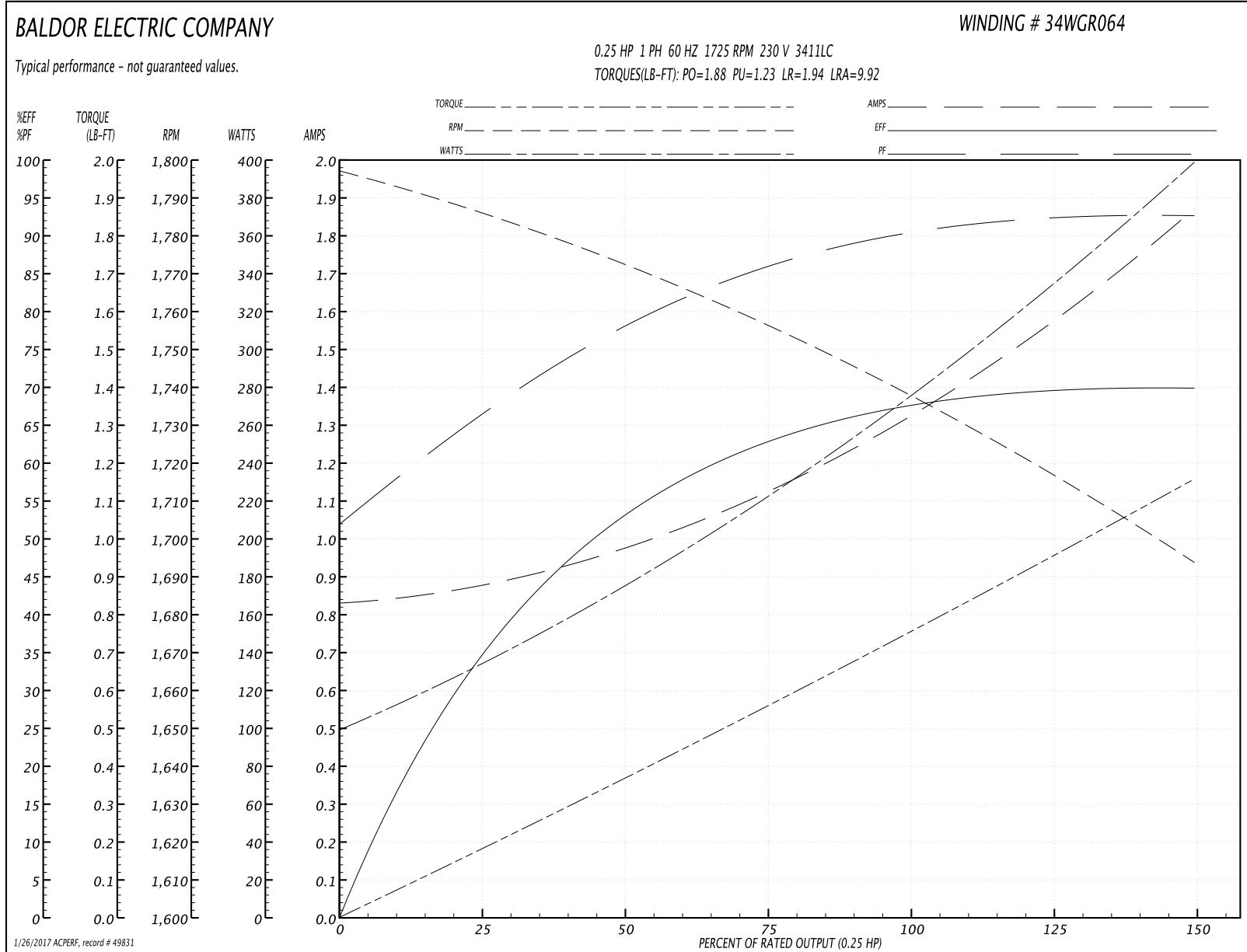
<b>Winding:</b> 34WGR064-R001	<b>Type:</b> 3411LC	<b>Enclosure:</b> OPEN
-------------------------------	---------------------	------------------------

Nameplate Data				230 V, 60 Hz: High Voltage Connection	
Rated Output (HP)	.25			Full Load Torque	0.753 LB-FT
Volts	115/230			Start Configuration	direct on line
Full Load Amps	2.6/1.3			Breakdown Torque	1.88 LB-FT
R.P.M.	1725			Pull-up Torque	1.23 LB-FT
Hz	60	Phase	1	Locked-rotor Torque	1.94 LB-FT
NEMA Design Code	-	KVA Code	L	Starting Current	9.92 A
Service Factor (S.F.)	1.35			No-load Current	0.836 A
NEMA Nom. Eff.	68.5	Power Factor	89	Line-line Res. @ 25°C	3.39 Ω A Ph 6.4 Ω B Ph
Rating - Duty	40C AMB-CONT			Temp. Rise @ Rated Load	30°C
S.F. Amps	3.4/1.7			Temp. Rise @ S.F. Load	36°C
				Rotor inertia	0.0261 LB-FT <sup>2</sup>

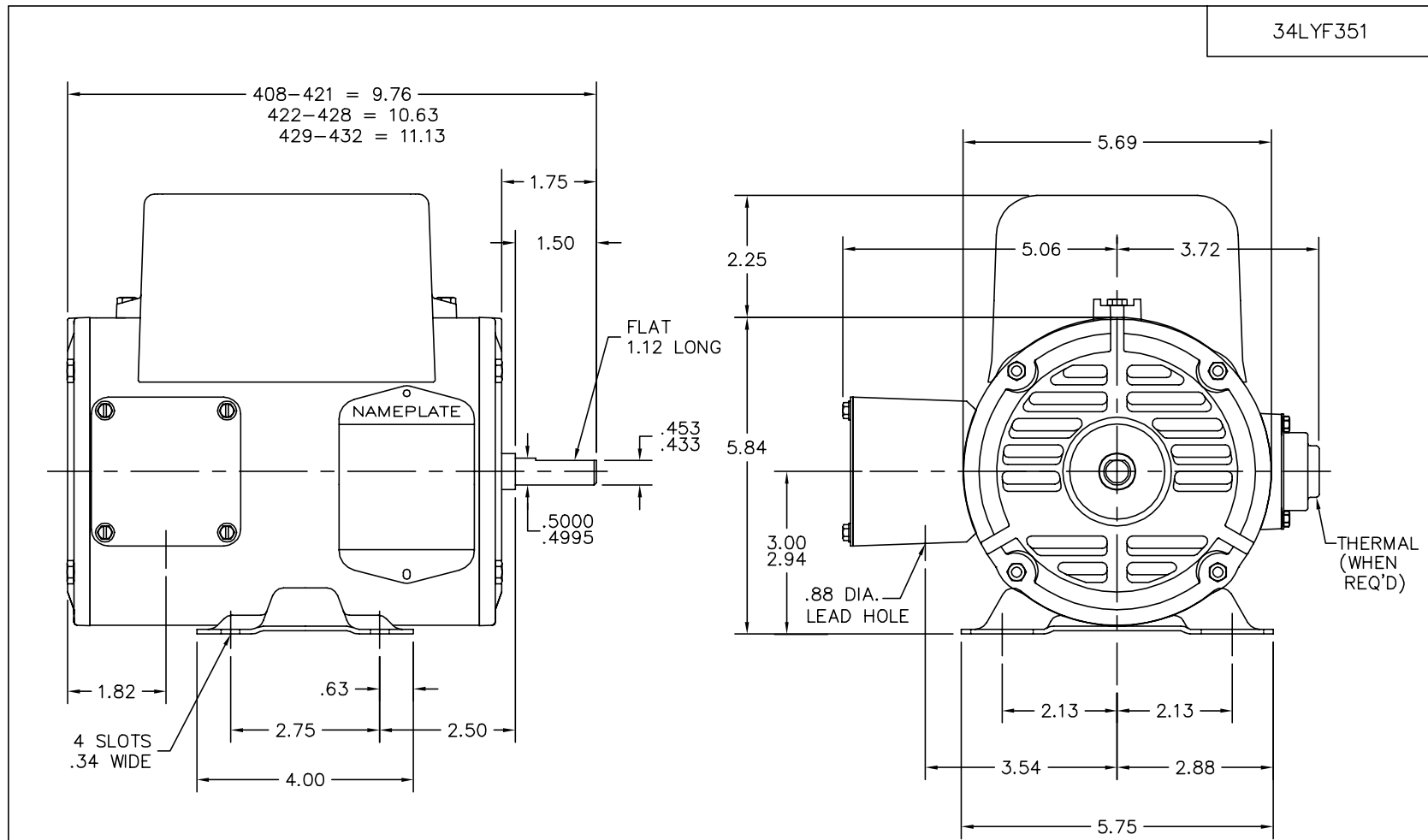
Load Characteristics 230 V, 60 Hz, 0.25 HP

% of Rated Load	25	50	75	100	125	150	S.F.
Power Factor	67	79	86	90	92	93	92
Efficiency	34.6	52.7	62.8	67.9	69.9	69.7	69.8
Speed	1784	1771	1756	1740	1718	1692	1708
Line amperes	0.871	0.97	1.13	1.33	1.58	1.87	1.7

Performance Graph at 230V, 60Hz, 0.25HP Typical performance - Not guaranteed values



1/26/2017 ACPERF, record # 49831



CUSTOMER IS RESPONSIBLE FOR DETERMINING THAT MOTOR PERFORMANCE IS SUITABLE IN THE APPLICATION.

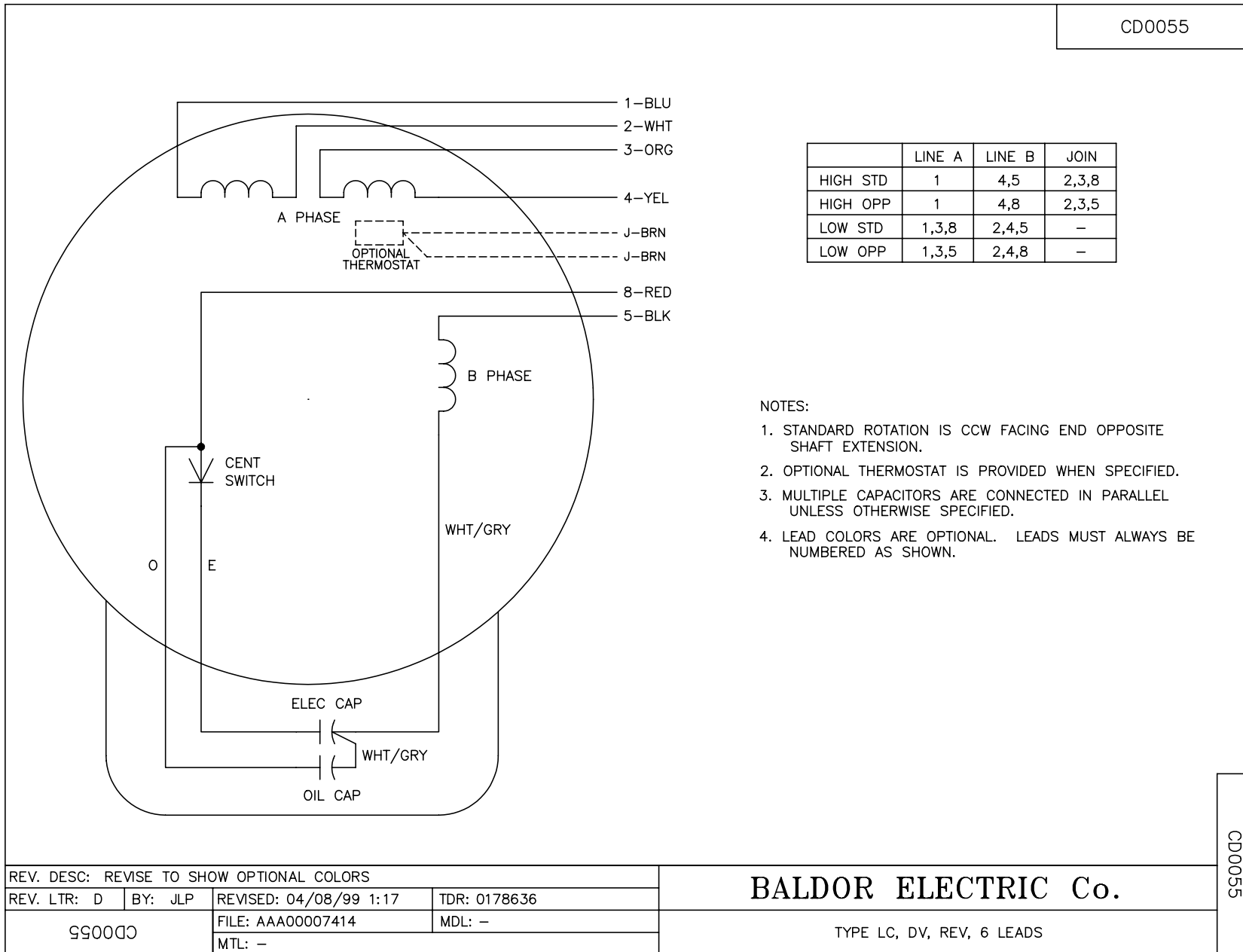
REV. DESC: DIM: KOBX LOC FROM ODE TO THE CENTERLINE OF KOBX		
REV. LTR: C	VERSION: 02	TDR: 000000386903
34LYF351	FILE: \AAA\00037\242	REVISED: 11:20:24 01/26/2006
	MTL: -	BY: ENMARW1

**BALDOR ELECTRIC Co.**

STD HOR 34LC NEMA 48 OPEN

34LYF351

CD0055



REV. DESC: REVISE TO SHOW OPTIONAL COLORS			
REV. LTR: D	BY: JLP	REVISED: 04/08/99 1:17	TDR: 0178636
990000		FILE: AAA00007414	MDL: -
		MTL: -	

**BALDOR ELECTRIC Co.**

TYPE LC, DV, REV, 6 LEADS

CD0055