

BALDOR® • ***RELIANCE***

Product Information Packet

EL11205

.33HP,3475RPM,1PH,60HZ,48,3413LC,ODP,F1

| Part Detail | | | | | | | |
|-------------|------|----------------|--------|-------------|----------|---------------|------------|
| Revision: | E | Status: | PRD/A | Change #: | | Proprietary: | No |
| Type: | AC | Prod. Type: | 3413LC | Elec. Spec: | 34WGR144 | CD Diagram: | CD0055 |
| Enclosure: | ODP | Mfg Plant: | | Mech. Spec: | 34F351 | Layout: | 34LYF351 |
| Frame: | 48 | Mounting: | F1 | Poles: | 02 | Created Date: | 03-05-2014 |
| Base: | RG | Rotation: | R | Insulation: | F | Eff. Date: | 11-06-2015 |
| Leads: | 6#18 | | | | | Replaced By: | |
| Literature: | | Elec. Diagram: | | | | | |

| Nameplate NP3155L | | | | | | | | | | | | | |
|-------------------|--------------|--|--|--|--|------|------|--|-----|----|---|----------------|---|
| CAT.NO. | EL11205 | | | | | | | | | | | | |
| SPEC. | 34F351R144G1 | | | | | | | | | | | | |
| HP | .33 | | | | | | | | | | | | |
| VOLTS | 115/230 | | | | | | | | | | | | |
| AMP | 3/1.5 | | | | | | | | | | | | |
| RPM | 3475 | | | | | | | | | | | | |
| FRAME | 48 | | | | | HZ | 60 | | | PH | 1 | | |
| SER.F. | 1.35 | | | | | CODE | H | | DES | N | | CL | F |
| F.L. AVG. EFF. | 70.5 | | | | | PF | 97 | | | | | | |
| RATING | 40C AMB-CONT | | | | | | | | | | | | |
| CC | | | | | | | | | | | | USABLE AT 208V | |
| DE | 6203 | | | | | ODE | 6203 | | | | | | |
| ENCL | ODP | | | | | SN | | | | | | | |
| | SFA 3.9/1.95 | | | | | | | | | | | | |

| Parts List | | |
|---------------|--|----------|
| Part Number | Description | Quantity |
| SA277544 | SA 34F351R144G1 | 1.000 EA |
| RA264094 | RA 34F351R144G1 | 1.000 EA |
| OC3025F11 | CYL OIL CAP 25MFD/370V | 1.000 EA |
| EC4189A01 | ELEC CAP, 189-227 MFD, 125V, 1.48D X 2. | 1.000 EA |
| NS2512A01 | INSULATOR, CONDUIT BOX X | 1.000 EA |
| 34CB3002A | CB CAST W/.88 DIA HOLE | 1.000 EA |
| 51XB1016A07 | 10-16 X 7/16 HXWSSLD SERTYB | 2.000 EA |
| 11XW1032G06 | 10-32 X .38, TAPTITE II, HEX WSHR SLTD U | 1.000 EA |
| 51XW0832A07 | 8-32 X .44, TAPTITE II, HEX WSHR SLTD SE | 2.000 EA |
| SP1006A01 | TERM. BOARD, MODE 35 SW X H-23655 | 1.000 EA |
| 34EP3210A01SP | FR ENDPLATE, MACH | 1.000 EA |
| 34GS5003A01 | FOAM SLEEVE, ID = 2 1/16" X 4 3/8" | 2.000 EA |
| 34CB3801 | CAPACITOR BOX, DIE CAST | 1.000 EA |
| 51XB1214A08 | 12-14 X 1/2HX WS SL SR TYBX | 2.000 EA |
| HW5100A03SP | WAVY WASHER (W1543-017) | 1.000 EA |
| 34EP3212A02 | PU ENDPLATE, MODEL 34 OPEN | 1.000 EA |
| XY1032A02 | 10-32 HEX NUT DIRECTIONAL SERRATION | 4.000 EA |
| 34CB4517 | CB LID 4 MTG HOLES .22 DIA STAMPED, FOR | 1.000 EA |
| 51XW0832A07 | 8-32 X .44, TAPTITE II, HEX WSHR SLTD SE | 4.000 EA |
| MG1000Y03 | MUNSELL 2.53Y 6.70/ 4.60, GLOSS 20, | 0.014 GA |
| 10XF0440S02 | 04-40 X 1/8 TYPE F HEX HD STAINLESS STIC | 2.000 EA |
| HA3100A44 | THRUBOLT 10-32 X 8.000 | 4.000 EA |
| SP5056A18 | MODEL 34 TYPE LC STATIONARY SWITCH WITH | 1.000 EA |
| MN416A01 | TAG-INSTAL-MAINT no wire (1000/bx) 11/14 | 1.000 EA |

| Parts List (continued) | | |
|-------------------------------|--|-----------------|
| Part Number | Description | Quantity |
| LC0001A01 | CONN LABEL / WARNING LABEL (LC0001 / LB1 | 1.000 EA |
| NP3155L | ALUM SUPER-E UL CSA CC "SEMS" | 1.000 EA |
| 35PA1000 | PKG GRP, PRINT PK1008A06 | 1.000 EA |

AC Induction Motor Performance Data

Record # 45445 - Typical performance - not guaranteed values

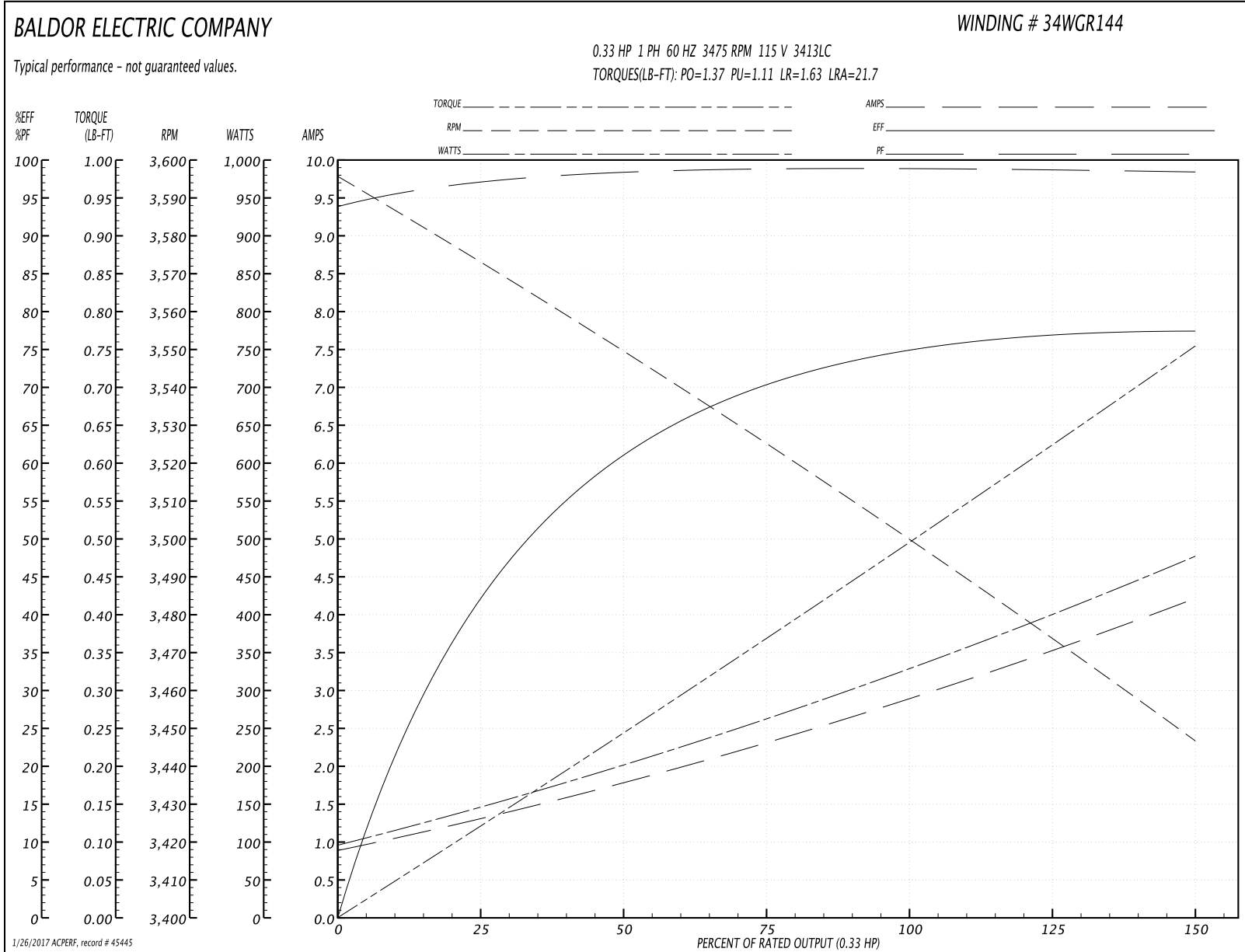
| | | |
|-------------------------------|---------------------|------------------------|
| Winding: 34WGR144-R001 | Type: 3413LC | Enclosure: OPEN |
|-------------------------------|---------------------|------------------------|

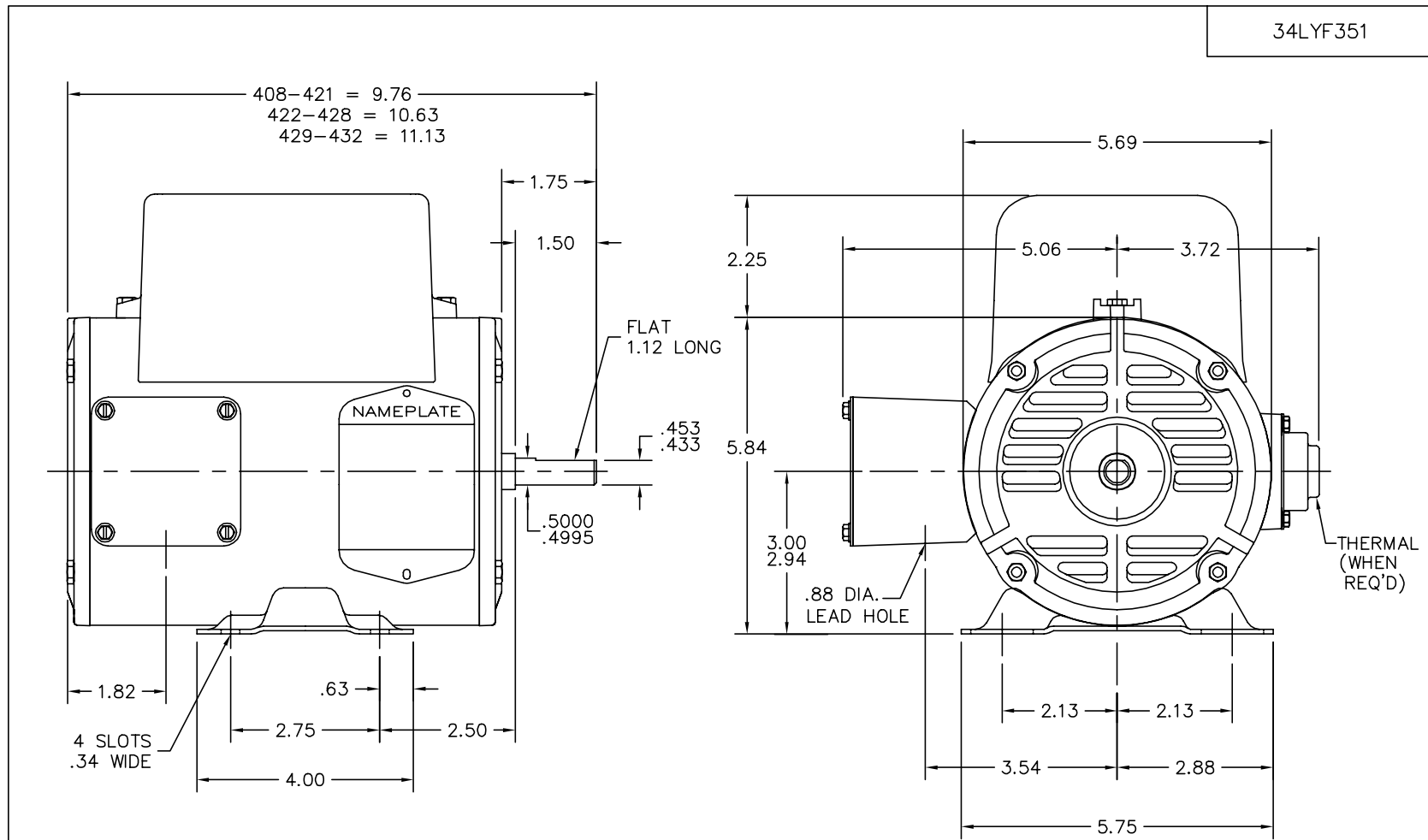
| Nameplate Data | | | | 115 V, 60 Hz: Low Voltage Connection | |
|-----------------------|--------------|--------------|----|---|--------------------------------|
| Rated Output (HP) | .33 | | | Full Load Torque | 0.495 LB-FT |
| Volts | 115/230 | | | Start Configuration | direct on line |
| Full Load Amps | 3/1.5 | | | Breakdown Torque | 1.37 LB-FT |
| R.P.M. | 3475 | | | Pull-up Torque | 1.11 LB-FT |
| Hz | 60 | Phase | 1 | Locked-rotor Torque | 1.63 LB-FT |
| NEMA Design Code | N | KVA Code | H | Starting Current | 21.7 A |
| Service Factor (S.F.) | 1.35 | | | No-load Current | 0.91 A |
| NEMA Nom. Eff. | 70.5 | Power Factor | 97 | Line-line Res. @ 25°C | 1.8711 Ω A Ph 3.6847 Ω B Ph |
| Rating - Duty | 40C AMB-CONT | | | Temp. Rise @ Rated Load | 14°C |
| S.F. Amps | 3.9/1.95 | | | Temp. Rise @ S.F. Load | 17°C |

Load Characteristics 115 V, 60 Hz, 0.33 HP

| % of Rated Load | 25 | 50 | 75 | 100 | 125 | 150 | S.F. |
|-----------------|--------|--------|--------|--------|--------|--------|------|
| Power Factor | 97 | 98 | 98 | 99 | 99 | 98 | 99 |
| Efficiency | 43.3 | 61.5 | 70.3 | 74.5 | 76.4 | 77.7 | 76.9 |
| Speed | 3567.1 | 3549.9 | 3526.5 | 3501.3 | 3474.4 | 3445.4 | 3463 |
| Line amperes | 1.29 | 1.76 | 2.32 | 2.91 | 3.54 | 4.2 | 3.8 |

Performance Graph at 115V, 60Hz, 0.33HP Typical performance - Not guaranteed values





34LYF351

CUSTOMER IS RESPONSIBLE FOR DETERMINING THAT MOTOR PERFORMANCE IS SUITABLE IN THE APPLICATION.

| | | |
|---|----------------------|------------------------------|
| REV. DESC: DIM: KOBX LOC FROM ODE TO THE CENTERLINE OF KOBX | | |
| REV. LTR: C | VERSION: 02 | TDR: 000000386903 |
| 34LYF351 | FILE: \AAA\00037\242 | REVISED: 11:20:24 01/26/2006 |
| | MTL: - | BY: ENMARW1 |

BALDOR ELECTRIC Co.

STD HOR 34LC NEMA 48 OPEN

34LYF351

CD0055



| | | | |
|---|---------|------------------------|--------------|
| REV. DESC: REVISE TO SHOW OPTIONAL COLORS | | | |
| REV. LTR: D | BY: JLP | REVISED: 04/08/99 1:17 | TDR: 0178636 |
| 990000 | | FILE: AAA00007414 | MDL: - |
| CD0055 | | MTL: - | |

BALDOR ELECTRIC Co.

TYPE LC, DV, REV, 6 LEADS

CD0055