

# **BALDOR**® • *RELIANCE*

## **Product Information Packet**

# **EM2506T-BG**

**7.5HP, 1180RPM, 3PH, 60HZ, 254T, 3950M, OPSB, F**

Part Detail							
Revision:	B	Status:	PRD/A	Change #:		Proprietary:	No
Type:	AC	Prod. Type:	3950M	Elec. Spec:	39WGX747	CD Diagram:	CD0180
Enclosure:	OPSB	Mfg Plant:		Mech. Spec:	39E531	Layout:	39LYE531
Frame:	254T	Mounting:	F1	Poles:	06	Created Date:	10-07-2013
Base:	RG	Rotation:	R	Insulation:	H	Eff. Date:	04-29-2016
Leads:	9#12					Replaced By:	
Literature:		Elec. Diagram:					

Nameplate NP1259L										
CAT.NO.	EM2506T-BG									
SPEC.	39E531X747G1									
HP	7.5									
VOLTS	230/460									
AMP	22.4/11									
RPM	1180									
FRAME	254T				HZ	60			PH	3
SER.F.	1.15		CODE	H	DES	B		CL	H	
NEMA-NOM-EFF	90.2		PF	70						
RATING	40C AMB-CONT									
CC	010A				USABLE AT 208V			23		
DE	6309				ODE	6208				
ENCL	OPSB		SN							

Parts List		
Part Number	Description	Quantity
SA270437	SA 39E531X747G1	1.000 EA
RA257072	RA 39E531X747G1	1.000 EA
S/P107-000-005	SUPER-E PROC'S(254/6 FR.) ZK PLANT - POL	1.000 EA
HA6361A01	LIFTING LUG FOR 37, 39 & 40 FRAME ZINC	2.000 EA
HA6016	ADAPTER, CAST CONDUIT BOX	1.000 EA
09CB3002	CB W/1.38 LEAD HOLE FOR 37, 39, 307 & 30	1.000 EA
HW1001A25	LOCKWASHER 1/4, ZINC PLT .493 OD, .255 I	2.000 EA
WD1000B17	T&B CX35TN TERMINAL	1.000 EA
11XW1032G06	10-32 X .38, TAPTITE II, HEX WSHR SLTD U	1.000 EA
39EP3200A01SP	FR/PU ENDPLATE, MACH	1.000 EA
HW5100A08	W3118-035 WVY WSHR (WB)	1.000 EA
39EP3201A22	PU ENDPLATE, MACH	1.000 EA
XY3816A12	3/8-16 FINISHED NUT	8.000 EA
10XN2520K26	1/4-20X 1 5/8 HEX HD, GRADE 5	4.000 EA
09CB3501	CONDUIT BOX LID FOR 09CB3001 & 09CB3002	1.000 EA
51XW2520A12	.25-20 X .75, TAPTITE II, HEX WSHR SLTD	2.000 EA
51XW2520A12	.25-20 X .75, TAPTITE II, HEX WSHR SLTD	2.000 EA
HW2501G25	KEY, 3/8 SQ X 2.875	1.000 EA
LB1115N	LABEL,LIFTING DEVICE (ON ROLLS)	1.000 EA
MN416A01	TAG-INSTAL-MAINT no wire (1000/bx) 11/14	1.000 EA
LB1508	LABEL "SHAFT GROUNDING BRUSH" 1.50 X .81	1.000 EA
HA4051A00	PLASTIC CAP FOR GREASE FITTING	1.000 EA
HW4500A03	GREASE FITTING, .125 NPT 1610(ALEMITE) 8	1.000 EA
HW4500A20	1/8NPT SL PIPE PLUG	1.000 EA

<b>Parts List (continued)</b>		
<b>Part Number</b>	<b>Description</b>	<b>Quantity</b>
MJ1000A02	GREASE, POLYREX EM EXXON (USe 4824-15A)	0.030 LB
HA4051A00	PLASTIC CAP FOR GREASE FITTING	1.000 EA
HW4500A03	GREASE FITTING, .125 NPT 1610(ALEMITE) 8	1.000 EA
HW4500A20	1/8NPT SL PIPE PLUG	1.000 EA
MG1000Y03	MUNSELL 2.53Y 6.70/ 4.60, GLOSS 20,	0.050 GA
85XU0407S04	4X1/4 U DRIVE PIN STAINLESS	2.000 EA
39AD2002A01	BAFFLE PLATE 39 OPEN, SLOTTED BAND MTRS	1.000 EA
39AD2002A01	BAFFLE PLATE 39 OPEN, SLOTTED BAND MTRS	1.000 EA
HA3154A03	STUD, 3/8-16 X 17.75	4.000 EA
LB1119N	WARNING LABEL	1.000 EA
LC0181	CONNECTION LABEL	1.000 EA
NP1259L	ALUM SUPER-E UL CSA-EEV CC NEMA PREMIUM	1.000 EA
39PA1000	PACKAGING GROUP 39 PRINT	1.000 EA

**AC Induction Motor Performance Data**

Record # 36102 - Typical performance - not guaranteed values

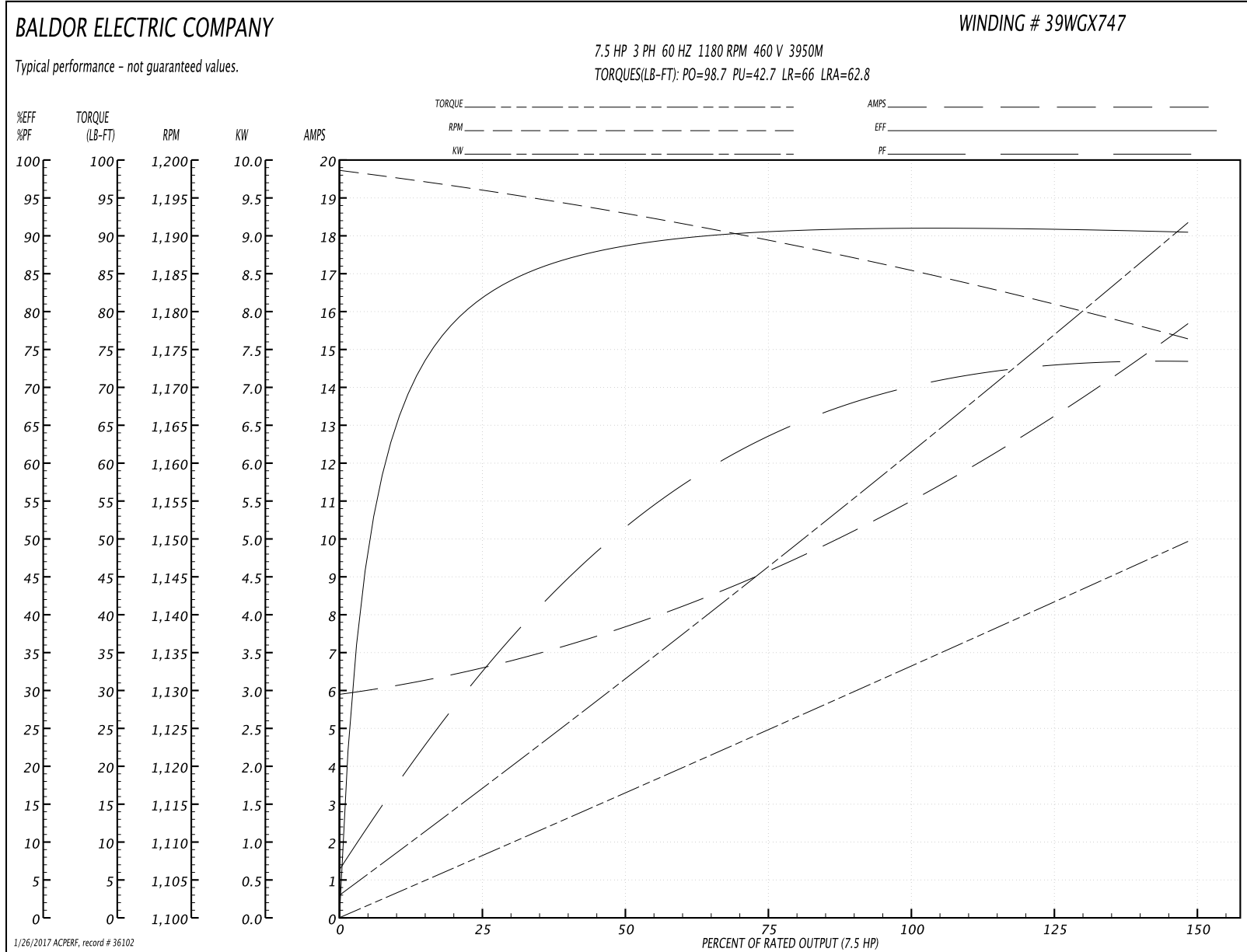
<b>Winding:</b> 39WGX747-R002	<b>Type:</b> 3950M	<b>Enclosure:</b> OPSB
-------------------------------	--------------------	------------------------

Nameplate Data				460 V, 60 Hz: High Voltage Connection	
Rated Output (HP)	7.5			Full Load Torque	33.1 LB-FT
Volts	230/460			Start Configuration	direct on line
Full Load Amps	22.4/11			Breakdown Torque	98.7 LB-FT
R.P.M.	1180			Pull-up Torque	42.7 LB-FT
Hz	60	Phase	3	Locked-rotor Torque	66 LB-FT
NEMA Design Code	B	KVA Code	H	Starting Current	62.8 A
Service Factor (S.F.)	1.15			No-load Current	5.96 A
NEMA Nom. Eff.	90.2	Power Factor	70	Line-line Res. @ 25°C	1.02 Ω
Rating - Duty	40C AMB-CONT			Temp. Rise @ Rated Load	45°C
S.F. Amps				Temp. Rise @ S.F. Load	54°C
				Locked-rotor Power Factor	26
				Rotor inertia	4.02 LB-FT <sup>2</sup>

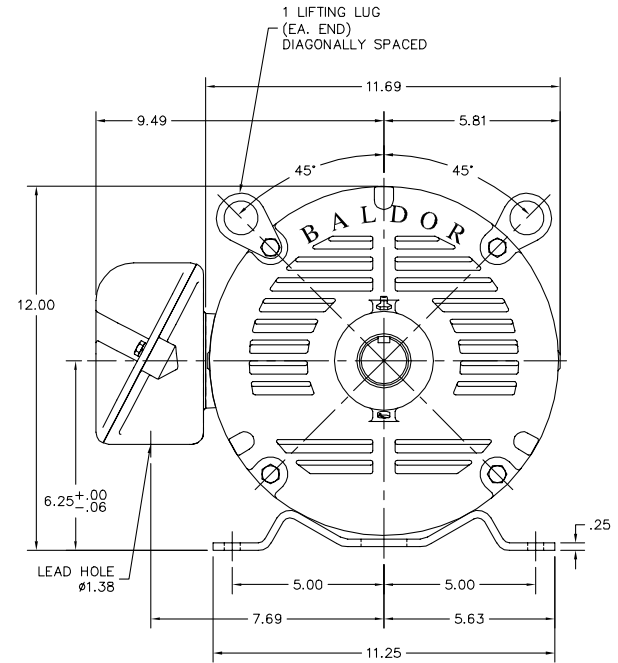
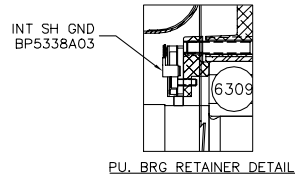
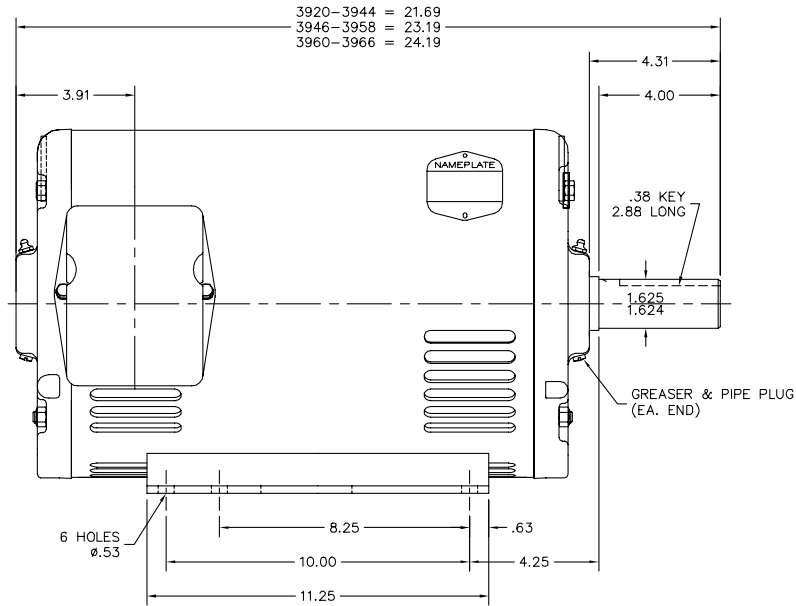
Load Characteristics 460 V, 60 Hz, 7.5 HP

% of Rated Load	25	50	75	100	125	150	S.F.
Power Factor	33	52	63	70	72	74	71
Efficiency	81.4	88.6	90.4	91.2	91	90.4	91.1
Speed	1196	1192	1189	1187	1181	1176	1183
Line amperes	6.55	7.61	9.17	11	13.3	15.6	12.4

Performance Graph at 460V, 60Hz, 7.5HP Typical performance - Not guaranteed values



39LYE531



39LYE531

CUSTOMER IS RESPONSIBLE FOR DETERMINING THAT BALDOR'S PRODUCT WILL PERFORM SUITABLY IN THE INTENDED APPLICATION.

REV. DESC: CHG'D INTERNAL SH GND TO BP5338A03	VERSION: 01	TDR: 000000846669
REV. LTR: A	REVISD: 10:30:51 04/01/2014	BY: ENSTEB1
FILE: \AAA\00203\960		
MTL: -		

**BALDOR**

HORZ OPSB 254-6T W/INT SH GND KIT  
 SH 1 of 1

CD0180



LOW VOLTAGE  
(2D)



HIGH VOLTAGE  
(1D)



NOTES:

1. INTERCHANGE ANY TWO LINE LEADS TO REVERSE ROTATION.
2. OPTIONAL THERMOSTATS ARE PROVIDED WHEN SPECIFIED.
3. ACTUAL NUMBER OF INTERNAL PARALLEL CIRCUITS MAY BE A MULTIPLE OF THOSE SHOWN ABOVE.
4. LEAD COLORS ARE OPTIONAL. LEADS MUST ALWAYS BE NUMBERED AS SHOWN.

REV. DESC: REVISE TO SHOW OPTIONAL COLORS			
REV. LTR: C	BY: JLP	REVISED: 01/21/99 2:28	TDR: 0171435
0810D0		FILE: AAA00005148	MDL: -
		MTL: -	

**BALDOR ELECTRIC Co.**

3PH, DV, 9 LEADS, DELTA CONNECTION

CD0180