

BALDOR® • ***RELIANCE***

Product Information Packet

EM3220T

1.5HP,855RPM,3PH,60HZ,184T,3643M,OPEN,F1

Part Detail							
Revision:	D	Status:	PRD/A	Change #:		Proprietary:	No
Type:	AC	Prod. Type:	3643M	Elec. Spec:	36WGR623	CD Diagram:	CD0005
Enclosure:	OPEN	Mfg Plant:		Mech. Spec:	36B001	Layout:	36LYB001
Frame:	184T	Mounting:	F1	Poles:	08	Created Date:	04-27-2015
Base:	RG	Rotation:	R	Insulation:	F	Eff. Date:	08-23-2016
Leads:	9#16					Replaced By:	
Literature:		Elec. Diagram:					

Nameplate NP2116L	
CAT.NO.	EM3220T
SPEC.	36B001R623G1
HP	1.5
VOLTS	230/460
AMP	6/3
RPM	855
FRAME	184T
	HZ 60
	PH 3
SER.F.	1.15
	CODE K
	DES B
	CL F
NEMA-NOM-EFF	78.5
	PF 60
RATING	40C AMB-CONT
CC	010A
	USABLE AT 208V 6
DE	6206
	ODE 6205
ENCL	OPEN
	SN

Parts List		
Part Number	Description	Quantity
SA299825	SA 36B001R623G1	1.000 EA
RA286858	RA 36B001R623G1	1.000 EA
36CB3004	36 CB CASTING W/1.09 DIA LEAD HOLE @ 6:0	1.000 EA
51XB1016A08	10-16X 1/2HXWSSLD SERTYB	2.000 EA
11XW1032G06	10-32 X .38, TAPTITE II, HEX WSHR SLTD U	1.000 EA
HW3001B01	BRASS CUP WASHER, FOR #8 SCREW	1.000 EA
36EP3200A01	FR ENDPLATE, ASSEMBLY FOR ROUTING	1.000 EA
HW4500A01	1641B(ALEMITE)400 UNIV, GREASE FITT	1.000 EA
HW5100A05	WVY WSHR F/205 & 304 BRGS	1.000 EA
36PE3201A01	PU ENDPLATE, ASSEMBLY FOR ROUTING	1.000 EA
HW4500A01	1641B(ALEMITE)400 UNIV, GREASE FITT	1.000 EA
XY2520A12	1/4-20 HEX NUT, DIRECTIONAL SERRATIONS	4.000 EA
36CB4516	36 LIPPED CB LID	1.000 EA
51XW0832A07	8-32 X .44, TAPTITE II, HEX WSHR SLTD SE	4.000 EA
HW2501E16	3KEY, 1/4 SQ X 1.750	1.000 EA
HA7000A02	KEY RETAINER RING, 1 1/8 DIA, 1 3/8 DIA	1.000 EA
85XU0407S04	4X1/4 U DRIVE PIN STAINLESS	2.000 EA
HW3200A01	3/8-16X3/4 I-BLT WELDED F/S	1.000 EA
MJ1000A02	GREASE, POLYREX EM EXXON (USe 4824-15A)	0.050 LB
MG1000Y03	MUNSELL 2.53Y 6.70/ 4.60, GLOSS 20,	0.022 GA
LB1115N	LABEL,LIFTING DEVICE (ON ROLLS)	1.000 EA
HA3101A28	THRUBOLT 1/4-20 X 12.500 OHIO ROD	4.000 EA
LC0005E01	CONN.DIA./WARNING LABEL (LC0005/LB1119N)	1.000 EA
NP2116L	ALUM SUPER-E UL CSA CC	1.000 EA

Parts List (continued)		
Part Number	Description	Quantity
36PA1001	PKG GRP, PRINT PK1017A06	1.000 EA
MN416A01	TAG-INSTAL-MAINT no wire (1000/bx) 11/14	1.000 EA

AC Induction Motor Performance Data

Record # 50455 - Typical performance - not guaranteed values

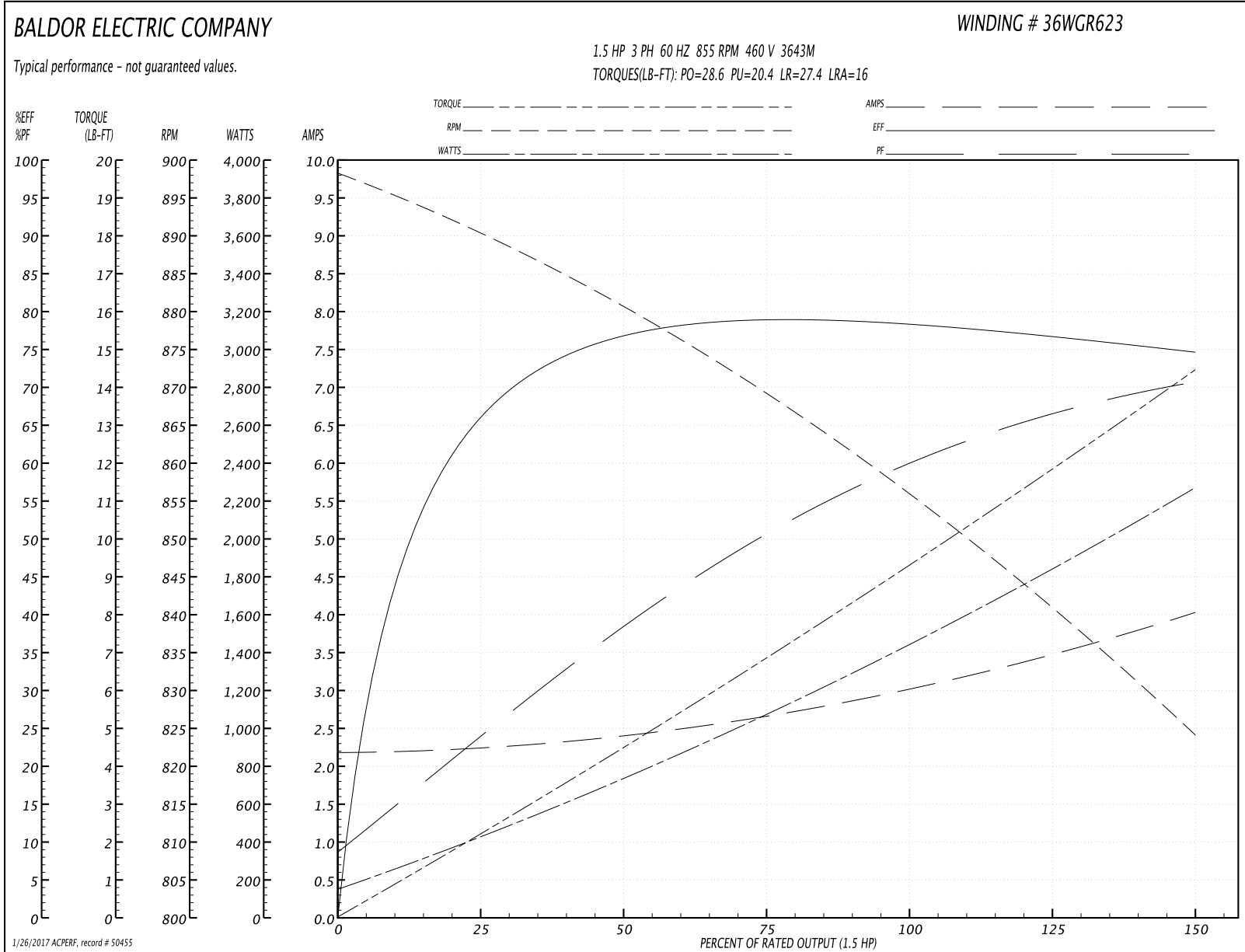
Winding: 36WGR623-R005	Type: 3643M	Enclosure: OPEN
-------------------------------	--------------------	------------------------

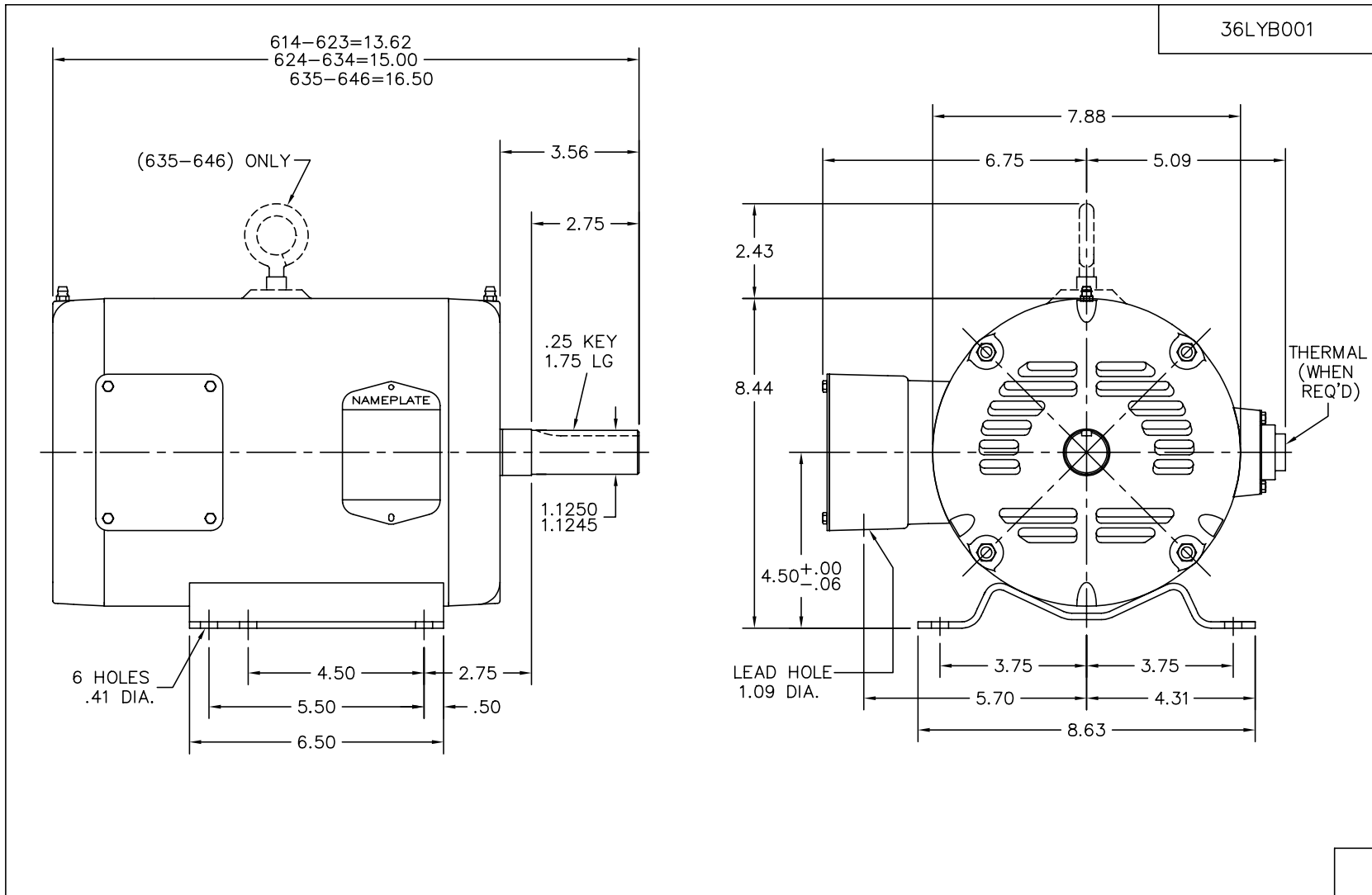
Nameplate Data				460 V, 60 Hz: High Voltage Connection	
Rated Output (HP)	1.5			Full Load Torque	9.45 LB-FT
Volts	230/460			Start Configuration	direct on line
Full Load Amps	6/3			Breakdown Torque	28.6 LB-FT
R.P.M.	855			Pull-up Torque	20.4 LB-FT
Hz	60	Phase	3	Locked-rotor Torque	27.4 LB-FT
NEMA Design Code	B	KVA Code	K	Starting Current	16 A
Service Factor (S.F.)	1.15			No-load Current	2.19 A
NEMA Nom. Eff.	78.5	Power Factor	60	Line-line Res. @ 25°C	7.95 Ω
Rating - Duty	40C AMB-CONT			Temp. Rise @ Rated Load	74°C
S.F. Amps				Temp. Rise @ S.F. Load	87°C
				Locked-rotor Power Factor	41.6
				Rotor inertia	0.403 LB-FT ²

Load Characteristics 460 V, 60 Hz, 1.5 HP

% of Rated Load	25	50	75	100	125	150	S.F.
Power Factor	26	40	51	60	67	71	64
Efficiency	66.7	76.4	78.7	78.7	77.3	74.2	77.9
Speed	889	879	868	856	841	823	847
Line amperes	2.23	2.42	2.7	3.05	3.49	4.04	3.31

Performance Graph at 460V, 60Hz, 1.5HP Typical performance - Not guaranteed values





CUST. NAME		CUST. P.O.		CERTIFIED BY		MODEL		INSUL		AMB	
H.P.		MTG		TYPE		R.P.M.		VOLTS		ENCL	
PHASE		FREQ		FRAME							
REV. DESC: CHG'D TO HAVE NEW NEC CONDUIT BOX											
REV. LTR: M		BY: JD		REVISED: 05/19/99 3:45				TDR: 0181963			
FILE: AAA00002559				MDL: -							
36LYB001				MTL: -							
BALDOR ELECTRIC Co.						STANDARD HORZ NEMA 182-4T OPEN 36M					

36LYB001

CD0005



LOW VOLTAGE
(2Y)



LINE

HIGH VOLTAGE
(1Y)



LINE

NOTES:

1. INTERCHANGE ANY TWO LINE LEADS TO REVERSE ROTATION.
2. OPTIONAL THERMOSTATS ARE PROVIDED WHEN SPECIFIED.
3. ACTUAL NUMBER OF INTERNAL PARALLEL CIRCUITS MAY BE A MULTIPLE OF THOSE SHOWN ABOVE.
4. LEAD COLORS ARE OPTIONAL. LEADS MUST ALWAYS BE NUMBERED AS SHOWN.

REV. DESC: REVISE TO SHOW OPTIONAL COLORS			
REV. LTR: E	BY: JLP	REVISED: 01/19/99 10:15	TDR: 0171435
90000		FILE: AAA00005140	MDL: -
		MTL: -	

BALDOR ELECTRIC Co.

3PH, DV, 9 LEADS

CD0005